

## How to read this Parts Catalog.

1. Parts mentioned in Parts Catalog may not necessarily be standard equipping parts
2. Parts change may be made without prior notice.
3. Form of this Parts Catalog.

REF.	LEV.	PARTS No.	DESCRIPTION	QTY						I	R
				(A)	(B)	(C)	(D)	(E)	(F)		
1		729595-51390	FUEL INJECTION PUMP	1	1	1	1	1			
1-1		729595-51391	FUEL INJECTION PUMP	1	1	1	1	1			
3	2	26022-060162	SCREW M 6X16	9	9	9	9	9			
1.3-1	2	26022-060162	SCREW M 6X16	4	4	4	4	4			K
		(A=E00185) (B=E00200)	(C=E00156) (D=E00156) (E=E00156)								
4	2	129470-51040	CAMSHFT	9	9	9	9	9			
5	2	122710-51050	BEARING. ROLLER	9	9	9	9	9			
6	2	129470-51060	RETAINER	9	9	9	9	9			

Remarks  
(1) BOOST COMPENSATOR TYPE  
OPTIONAL PART TO E#00155  
(4JH-DT, 4JH-DTZ)

### ① Ref. No.

The Ref. No. in the list may not be in accordance with the Ref. No. on illustration.

(Ex.) illustration No. List head No.  
1 1 (Before change) → 1-1 (After change)

When interchangeable symbol N, and k, illustrations for the new parts are sometimes omitted.

### ② Lev. (Level)

Indication and Meaning of Level

Level Hereunder is given the relation among the number of number (1,2,3) the level and the nominal parent-child relationship.

- 1 ---- Parent parts (Assembly parts)
- 2 ---- Child parts included in " 1 " (Semi-Assembly parts, component parts of Assembly parts.)
- 3 ---- Child parts included in " 2 ", Grand-child parts in terms of " 1 ".

(Component parts of Semi-Assembly parts.)

Note) A parts of non-sale parts are illustrated but not listed.

### ③ Change Mark

Change Mark " I " is given to the part for which a design change was made at this time.

The design change was not shown in the last published Parts Catalog.

### ④ Interchangeability Mark

In the case where a part change took place, one of the following interchangeability marks is indicated for that part

Symbol	Interchangeability	Contents note
N	Old ← → New	New Part is interchangeable for Old Part but not interchangeable conversely.
Q	Old ← → New	New Part is not interchangeable for Old Part but interchangeable conversely.
R	Old ← → New	New Part is interchangeable for Old Part and vice versa.
S	Old ← → New	New Part is not interchangeable for Old Part and vice versa.
W		Part newly added.
Z		Part discontinued.
F		Not interchangeable single part but interchangeable by set of the related parts.
K		Changed only in quantity used.

### ⑤ Effective Machine No.

When a part is changed, Effective Machine No. of a Model for which the part is applicable is indication

In each column of (A)-(F).

Product Symbol	Product No.	Product Symbol	Product No.
C	Clutch No, Compressor No,	M	Machine No,
D	Drive No,	T	Tractor No,
E	Engine No,	Note 1) ×	Date

Note 1) Date may follow the symbol in some cases. (Ex.) ×1996.01

Note 2) As far as engine models shown by " XXX " are concerned, the modification of the parts could not be Predicted or the engine models themselves could not be identified.

Note 3) (A=E#00185) means that the design change on the part has been effective for the model at the, column (A) (in the case, for 4JH-DT) on and from E#(Engine Serial Number) 00185

### ⑥ Remarks Mark

Figures or alphabets (Symbols) are entered in the remark column.

The comments (remarks) on the pertinent parts are indicated in the lower part of the list by the same symbols as those stated above.

# CONTENTS

MODEL : 4TNV94L-NHZ(HANGZHOU)  
PC NO : Y00W0720

Fig.No. GROUP NAME

Fig.No. GROUP NAME

## ENGINE SECTION

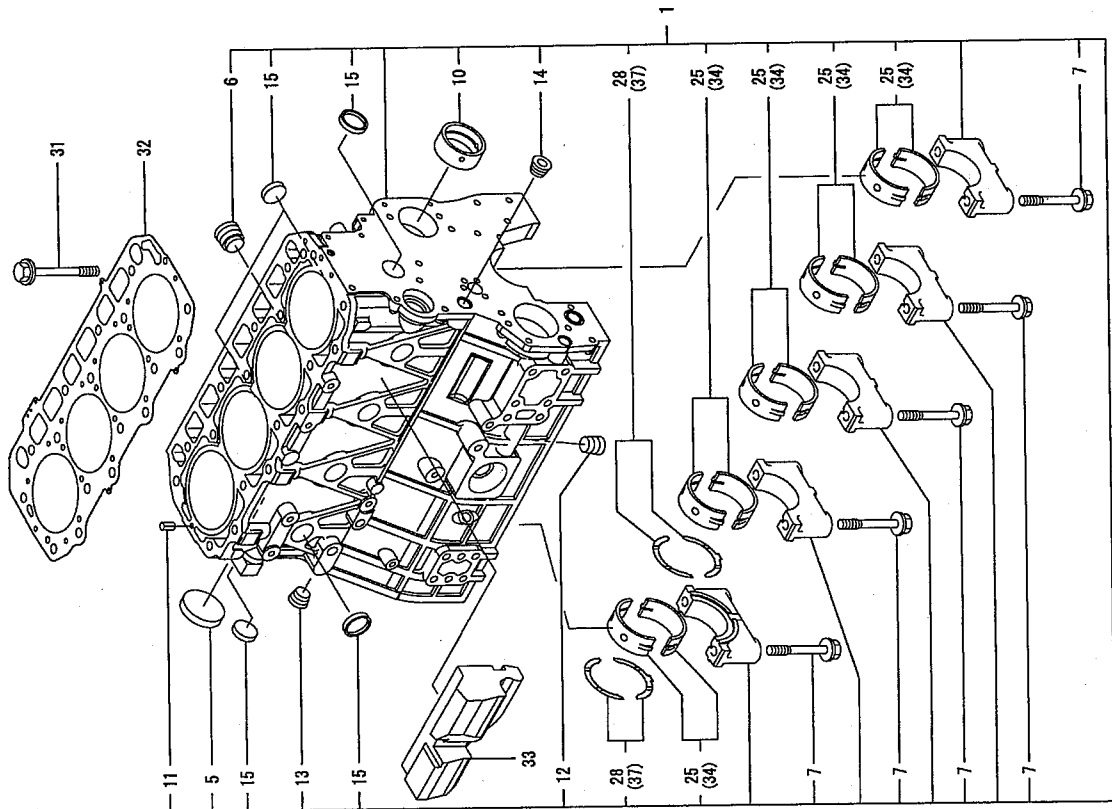
1. CYLINDER BLOCK
2. GEAR HOUSING
3. FLYWHEEL HOUSING & OIL SUMP
4. CYLINDER HEAD & BONNET
5. SUCTION & EXHAUST MANIFOLD
6. CAMSHAFT & DRIVING GEAR
7. CRANKSHAFT & PISTON
8. LUB.OIL SYSTEM
9. COOLING WATER SYSTEM
10. FUEL INJECTION PUMP
11. GOVERNOR
12. FUEL INJECTION VALVE
13. FUEL LINE
14. STARTING MOTOR
15. GENERATOR
16. GASKET SET

Y00W0720 1. CYLINDER BLOCK

(A)=4TNV94L-NHZ (D)=  
 (B)= (E)=  
 (C)= (F)=

REF. LEV. PARTS NO. DESCRIPTION QTY I R

REF.	LEV.	PARTS NO.	DESCRIPTION	QTY	I	R
1		729906-01560	BLOCK ASSY, CYLINDER	1		
5	2	129900-01250	PLUG 55	1		
6	2	171051-01921	PLUG	1		
7	2	129900-02020	BOLT, METAL CAP	10		
10	2	129900-02410	BUSH, CAMSHAFT	1		
11	2	22351-060012	SPRING PIN 6X12	2		
12	2	23876-030000	PLUG PT3/8, SCREW	1		
13	2	23876-030000	PLUG PT3/8, SCREW	1		
14	2	23876-030000	PLUG PT3/8, SCREW	1		
15	2	27241-300000	PLUG 30	8		
25	2	729900-02800	MAIN BEARING SET	5		3
28	2	129900-02930	BEARING ASSY, THRUST	2		
31	1	129900-01200	BOLT, HEAD	18		
32	1	129906-01340	GASKET, CYLINDER HEAD	1		
33	1	129907-01190	SPACER	1		
34	1	129900-02340	MAIN BEARING US=0.25	5		1
37	1	129900-02940	BEARING, THRUST .250S	2		2



Y00W0720 Fig. 1. CYLINDER BLOCK

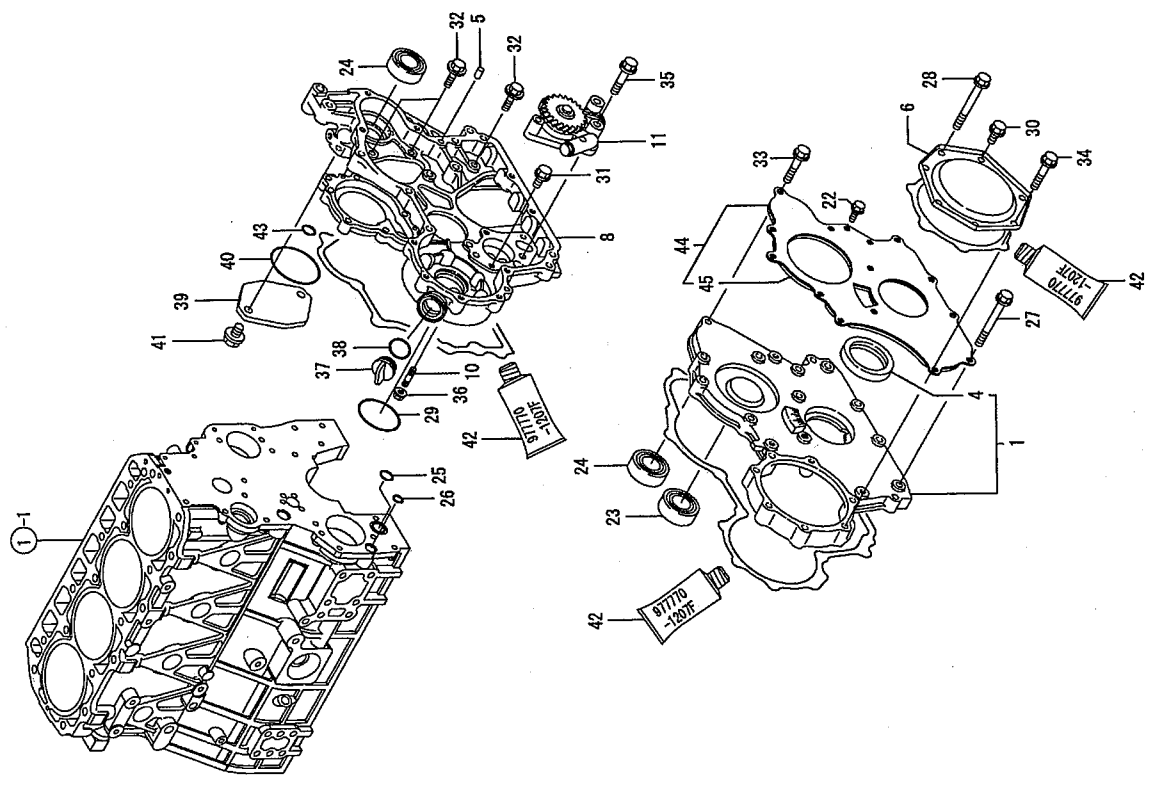
Remarks  
 (1) UNDER-SIZED(U.S=0.25)PART.  
 (2) OVER-SIZED(O.S=0.25)PART.  
 (3) REPAIR PART.

Y00W0720 2. GEAR HOUSING

(A)=4TNV94L-NHZ  
 (B)=  
 (C)=  
 (D)=  
 (E)=  
 (F)=

REF. LEV. PARTS NO. DESCRIPTION (A) (B) (C) (D) (E) (F)

REF.	LEV.	PARTS NO.	DESCRIPTION	(A)	(B)	(C)	(D)	(E)	(F)
1	1	729807-01550	HOUSING ASSY, COVER, G	1					
4	2	129900-01780	SEAL, OIL	1					
5	1	129100-01580	PARALLEL PIN 8X16	4					
6	1	129900-01740	COVER, F.I. PUMP	1					
8	1	129962-01500	CASE, GEAR	1					
10	1	26216-100302	STUD BOLT	4					
11	1	129900-32001	PUMP ASSY, LUB.OIL	1					
22	1	26106-080162	BOLT M 8X 16 PLATED	3					
23	1	129900-14140	BEARING #6205	1					
24	1	129900-26250	BALL BEARING	2					
25	1	129900-32030	O-RING P20	1					
26	1	129900-32040	O-RING P14	1					
27	1	129001-91810	BOLT M 8X 70 PLATED	6					
28	1	129001-91810	BOLT M 8X 70 PLATED	1					
29	1	24351-030750	PACKING, 3075	1					
30	1	26106-080162	BOLT M 8X 16 PLATED	1					
31	1	26106-080162	BOLT M 8X 16 PLATED	1					
32	1	26106-080202	BOLT M 8X 20 PLATED	3					
33	1	26106-080402	BOLT M 8X 40 PLATED	5					
34	1	26106-080402	BOLT M 8X 40 PLATED	5					
35	1	26106-080452	BOLT M 8X 45 PLATED	3					
36	1	26306-100002	NUT	4					
37	1	124160-01751	COVER, FILLER	1					
38	1	24311-000320	O-RING 1A P-32.0	1					
39	1	121023-26070	COVER, HO-P	1					
40	1	24321-000850	O-RING 1A G-85.0	1					
41	1	26106-100202	BOLT M10X 20 PLATED	2					
42	1	97770-1207F	GASKET, LIQUID	1					
43	1	24311-000070	O-RING 1A P-7.0	1					
44	1	129900-01850	COVER ASSY	1					
45	2	129900-01870	SPONGE	1					



Y00W0720  
 Fig.2. GEAR HOUSING

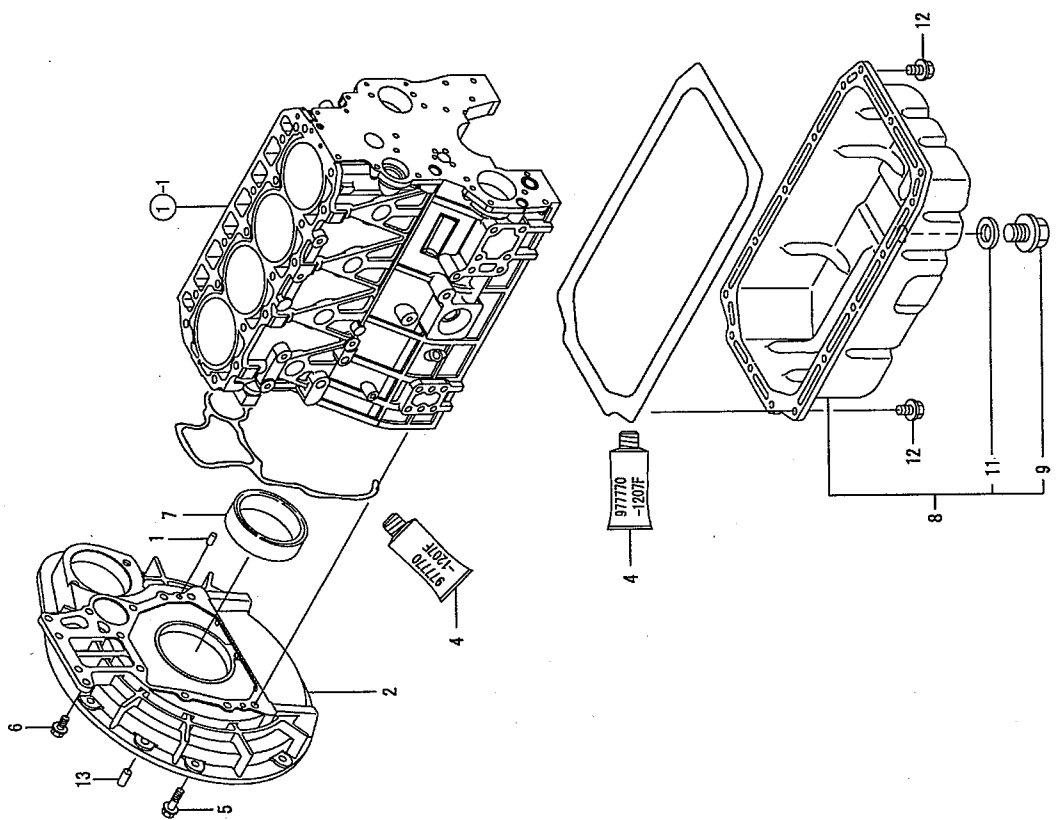
Remarks  
 (1) OPTIONAL PART.

Y00W0720 3. FLYWHEEL HOUSING & OIL SUMP

(A)=4TNV94L-NHZ (D)=  
 (B)= (E)=  
 (C)= (F)=

REF.	LEV.	PARTS NO.	DESCRIPTION	(A)	(B)	(C)	(D)	(E)	(F)
1	1	129100-01580	PARALLEL PIN 8X16	2					
2	1	129906-01610	HOUSING, FLYWHEEL	1					
4	1	977770-1207F	GASKET, LIQUID	1					
5	1	26206-100352	BOLT M10X 35 PLATED	9					
6	1	26206-100202	BOLT M10X20	4					
7	1	129916-01790	SEAL, OIL	1					
8	1	129930-01710	SUMP ASSY, OIL	1					
9	2	119640-01640	DRAIN PLUG M22	1					
11	2	22190-220002	SEAL WASHER 22S	1					
12	1	26106-080122	BOLT M 8X 12 PLATED	16					
13	1	22312-120200	PARALLEL PIN 12X20	2					

Y00W0720 Fig.3. FLYWHEEL HOUSING & OIL SUMP



Remarks  
 (1) OPTIONAL PART.

4. CYLINDER HEAD & BONNET

(A)=4T1V94L-NHZ  
(B)=  
(C)=  
(D)=  
(E)=  
(F)=

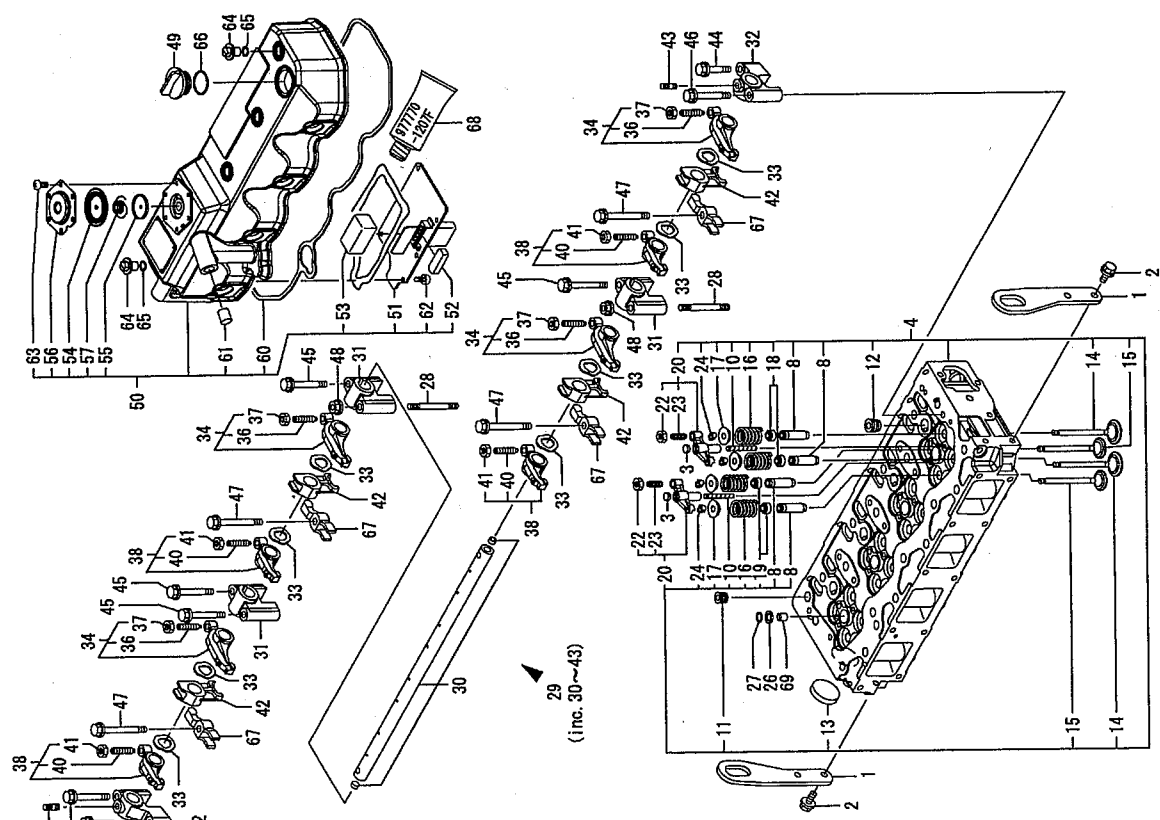
REF.	LEV.	PARTS NO.	DESCRIPTION	(A)	(B)	(C)	(D)	(E)	(F)
1	1	129907-07900	LIFTER, ENGINE	2					
2	1	26106-080162	BOLT M 8X 16 PLATED	4					
3	1	123907-11550	SEAT A, VALVE BRIDGE	8					
4	1	129907-11700	HEAD ASSY, CYLINDER	1					
8	2	129907-11800	GUIDE, VALVE	16					
10	2	123907-11820	GUIDE, VALVE BRIDGE	8					
11	2	23876-020000	PLUG PT1/4, SCREW	1					
12	2	23876-030000	PLUG PT3/8, SCREW	4					
13	2	27241-400000	PLUG 40	1					
14	2	129907-11100	VALVE(INT)	8					
15	2	129907-11110	VALVE(EXH)	8					
16	2	129907-11120	VALVE SPRING	16					
17	2	119620-11180	RETAINER, SPRING	16					
18	2	124160-11340	SEAL, VALVE STEM	8					
19	2	124950-11340	SEAL, VALVE STEM	8					
20	2	129907-11510	BRIDGE ASSY, VALVE	8					
22	3	129150-11750	NUT M8XP1.0	8					
23	3	123907-11830	SCREW, VALVE BRIDGE	8					
24	2	27310-070001	COTTER ASSY	16					
26	1	119625-11880	SEAT, NOZZLE	4					
27	1	24311-000120	O-RING 1A P. 12.0	4					
28	1	119593-11301	BOLT 8X80	2					
29	1	129907-11341	SUPPORT CMP	1					
30	2	129907-11250	SHAFT, ROCKER ARM	1					
31	2	129907-11260	SUPPORT A	3					
32	2	129907-11270	SUPPORT B	2					
33	2	123907-11280	WAVE WASHER	8					
34	2	129907-11650	ARM ASSY, ROCKER	4					
36	3	129150-11230	SCREW, VALVE	4					
37	3	129150-11750	NUT M8XP1.0	4					
38	2	129907-11660	ARM ASSY, ROCKER	4					
40	3	129150-11230	SCREW, VALVE	4					
41	3	129150-11750	NUT M8XP1.0	4					
42	2	129907-11920	PEDESTAL, RETAINER	4					
43	2	26226-080222	STUD M 8X 22 PLATED	2					
44	1	26106-080402	BOLT M 8X 40 PLATED	2					
45	1	26106-080602	BOLT M 8X 60 PLATED	4					
46	1	26106-080602	BOLT M 8X 60 PLATED	2					
47	1	129907-11950	FLANGE BOLT, RETAINER	4					
48	1	26306-080002	NUT	2					
49	1	124160-01751	COVER, FILLER	1					
50	1	129907-11320	BONNET ASSY	1					
51	2	129907-03011	BAFFLE PLATE	1					
52	2	129907-03061	BAFFLE	1					
53	2	129907-03070	BAFFLE	1					
54	2	123907-03100	DIAPHRAGM, BREATHER	1					
55	2	123907-03110	CENTER PLATE	1					
56	2	123907-03120	PLATE, BREATHER	1					
57	2	123907-03140	SPRING, DIAPHRAGM	1					
60	2	129907-11310	PACKING, BONNET	1					
61	2	119640-61400	PLUG	1					
62	2	22857-500100	SCREW 5X10, TAPPING	6					
63	2	22857-500100	SCREW 5X10, TAPPING	6					
64	1	124160-11360	KNOB	4					

++ CONTINUE ++

(C) Copy Rights YANMAR CO., LTD and YANMAR AGRICULTURAL EQUIPMENT CO., LTD.

Y00W0720

Fig. 4. CYLINDER HEAD & BONNET



Remarks  
(1) OPTIONAL PART.  
(2) REPAIR PART.

Y00W0720 4. CYLINDER HEAD & BONNET

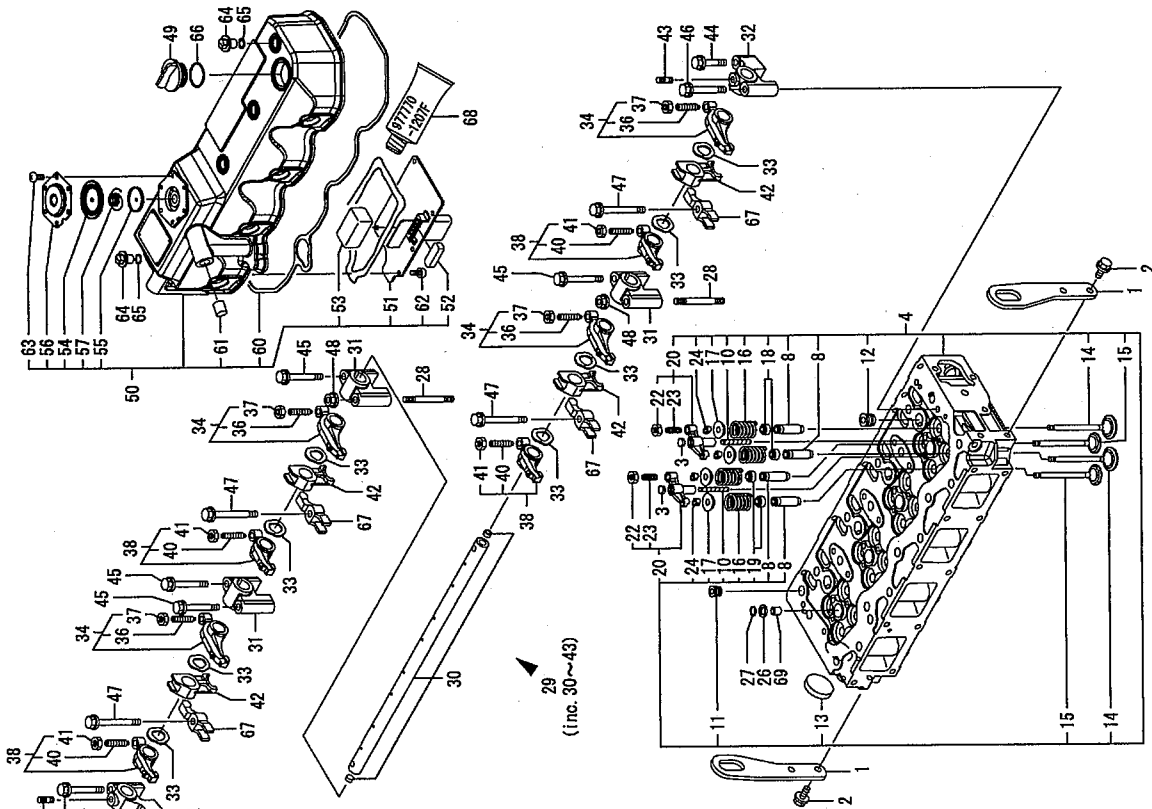
(A)=4TNV94L-NHZ  
(B)=  
(C)= (D)=  
(E)=  
(F)=

QTY I R

REF. LEV. PARTS NO. DESCRIPTION

REF.	LEV.	PARTS NO.	DESCRIPTION	(A)	(B)	(C)	(D)	(E)	(F)
65	1	24311-000120	O-RING 1A P 12.0	4					
66	1	24311-000320	O-RING 1A P-32.0	1					
67	1	129907-11910	RETAINER,F.I.VALVE	4					
68	1	97770-1207F	GASKET,LIQUID	1					1
69	1	119802-11870	PROTECTOR, NOZZLE	4					

Y00W0720 Fig.4. CYLINDER HEAD & BONNET



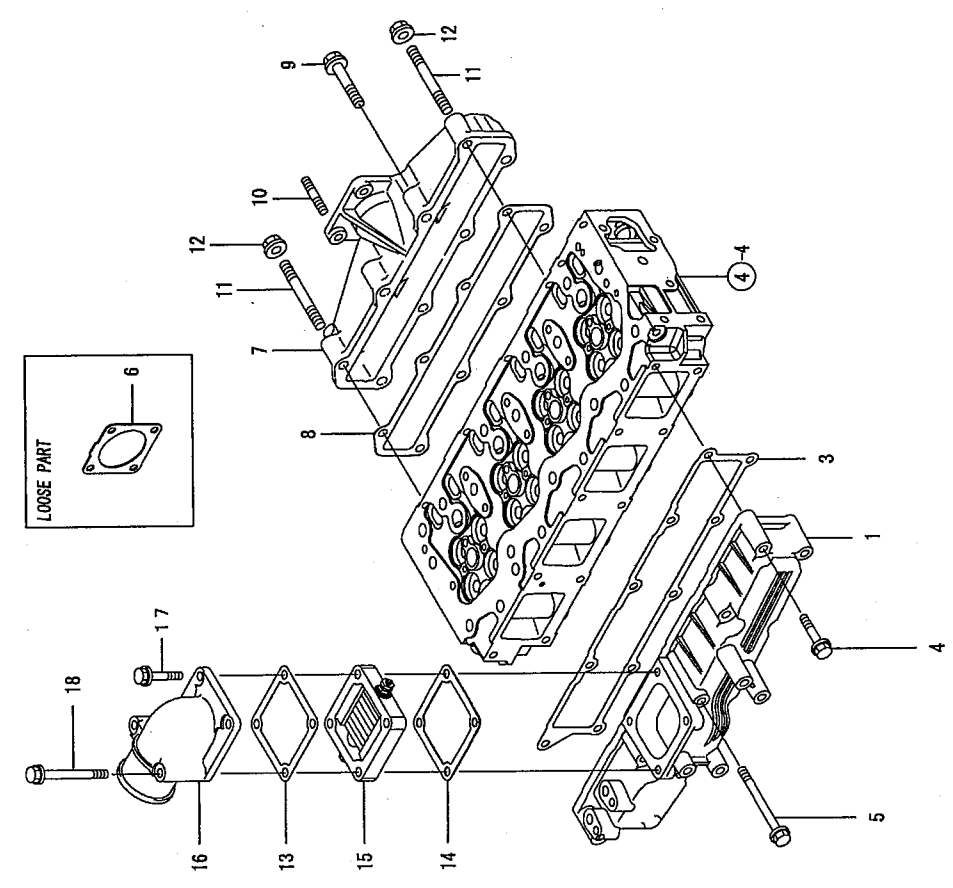
Remarks  
(1) OPTIONAL PART.  
(2) REPAIR PART.

Y00W0720 5. SUCTION & EXHAUST MANIFOLD

(A)=4TNV94L-NHZ  
 (B)=  
 (C)=  
 (D)=  
 (E)=  
 (F)=

REF.	LEV.	PARTS NO.	DESCRIPTION	(A)	(B)	(C)	(D)	(E)	(F)
1	1	129907-12100	MANIFOLD,AIR INTAKE	1					
3	1	129907-12110	PACKING(INT.MANIFOLD	1					
4	1	26106-080552	BOLT M 8X 55 PLATED	9					
5	1	26106-080852	BOLT M 8X 85 PLATED	1					
6	1	129930-13201	GASKET, SILENCER	1					
7	1	129900-13120	MANIFOLD, EXHAUST	1					
8	1	129900-13150	GASKET	1					
9	1	119802-13610	BOLT M 8X 45 PLATED	6					
10	1	119131-18320	BOLT M 8X 22	4					
11	1	119802-13720	STUD, M8X45	2					
12	1	26306-080002	NUT	2					
13	1	119129-77020	GASKET	1					
14	1	121850-77021	GASKET, (NON-ASB.)	1					
15	1	119005-77050	HEATER, AIR	1					
16	1	119129-77520	BEND	1					
17	1	26106-080402	BOLT M 8X 40 PLATED	2					
18	1	26106-080902	BOLT M 8X 90 PLATED	2					

Y00W0720  
 Fig.5. SUCTION & EXHAUST MANIFOLD

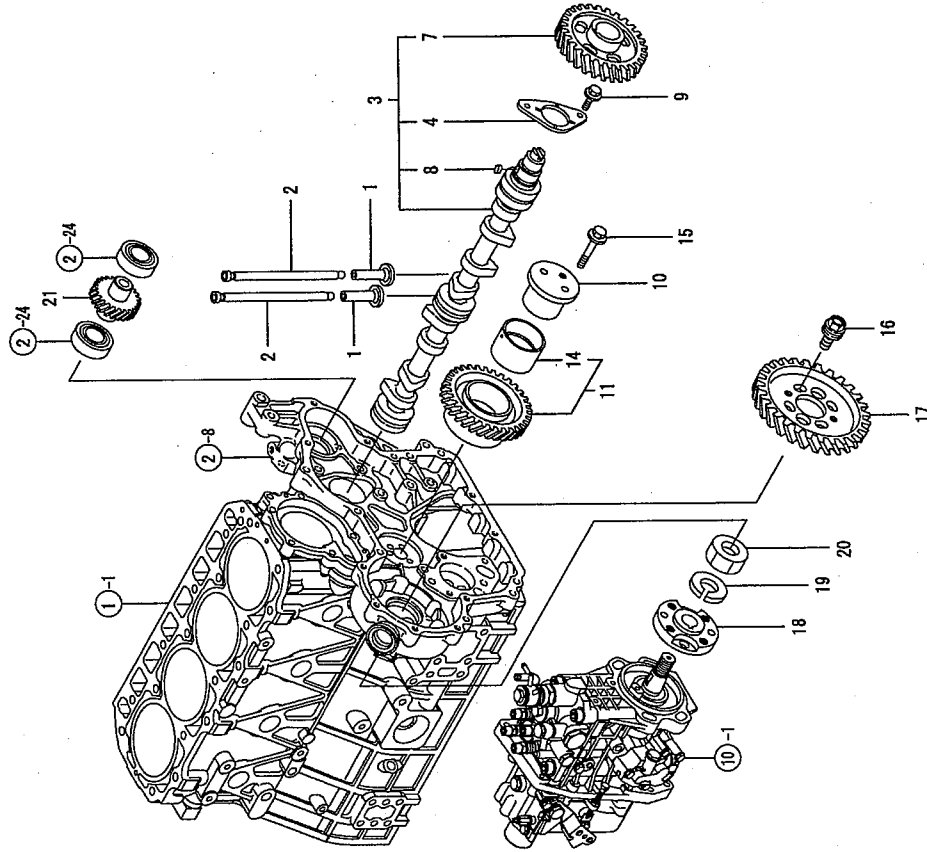


Y00W0720 6. CAMSHAFT & DRIVING GEAR

(A)=4TTN94L-NHZ  
(B)=  
(C)=  
(D)=  
(E)=  
(F)=

REF.	LEV.	PARTS NO.	DESCRIPTION	QTY					
				(A)	(B)	(C)	(D)	(E)	(F)
1	1	129150-14200	TAPPET	8					
2	1	129907-14400	PUSH ROD	8					
3	1	129907-14590	CAMSHAFT ASSY	1					
4	2	129150-02450	METAL THRUST(CAM	1					
7	2	129900-14110	GEAR, CAMSHAFT	1					
8	2	22512-070140	KEY 7X 14	1					
9	1	26106-080162	BOLT M 8X 16 PLATED	2					
10	1	123900-25060	SHAFT(GEAR, IDLE	1					
11	1	129900-25110	GEAR ASSY, IDLE	1					
14	2	129150-25920	BUSH, IDLE GEAR	1					
15	1	26106-080552	BOLT M 8X 55 PLATED	3					
16	1	129953-25300	BOLT	4					
17	1	129907-25900	GEAR, F.I.PUMP	1					
18	1	158663-51150	FLANGE	1					
19	1	22217-180000	SPRING WASHER 18	1					
20	1	26776-180002	NUT M18, LOCK	1					
21	1	129900-26020	GEAR ASSY, HYDR. PUMP	1					

Y00W0720  
Fig. 6. CAMSHAFT & DRIVING GEAR



Remarks  
(1) REPAIR PART.

Y00W0720 7. CRANKSHAFT & PISTON

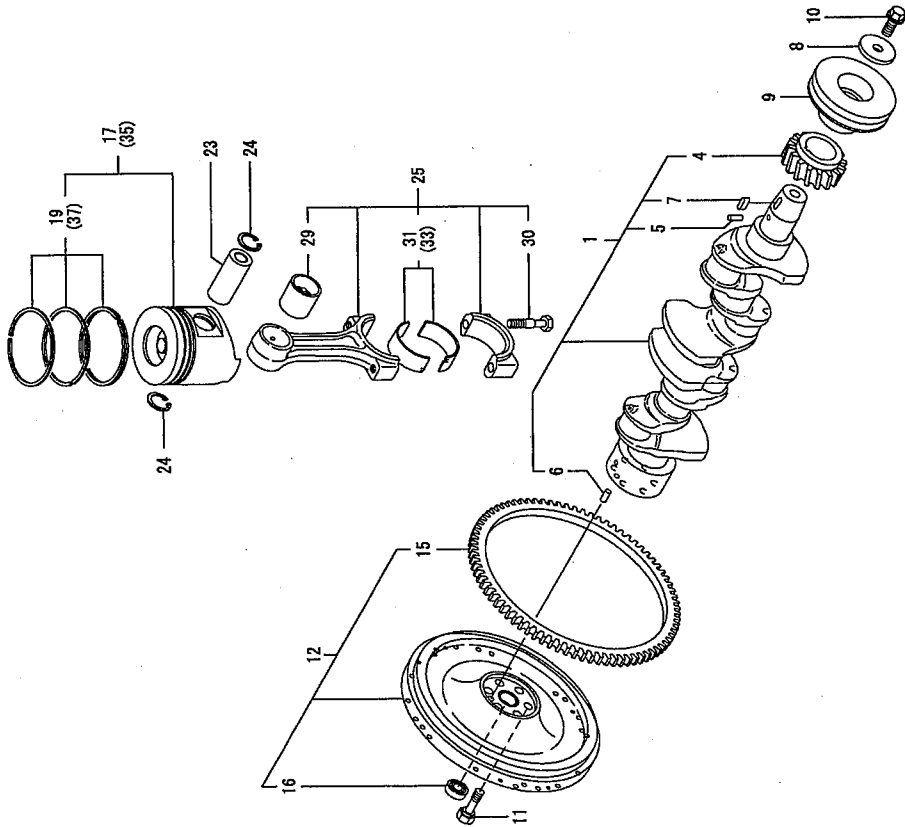
(A)=4TNV84L-NHZ  
 (B)=  
 (C)=  
 (D)=  
 (E)=  
 (F)=

QTY \_\_\_\_\_ I R

REF.	LEV.	PARTS NO.	DESCRIPTION	(A)	(B)	(C)	(D)	(E)	(F)
1	1	129902-21050	CRANKSHAFT COMP	1					
4	2	129900-21220	GEAR, CRANKSHAFT	1					
5	2	121850-21290	PARALLEL PIN	1					
6	2	121850-21920	PARALLEL PIN 10X22	1					
7	2	22512-070140	KEY 7X 14	1					
8	1	129900-21640	WASHER	1					
9	1	129907-21660	V-PULLEY, CRANKSHAFT	1					
10	1	121850-21680	BOLT, V-PULLEY	1					
11	1	121850-21130	BOLT, FLYWHEEL	6					
12	1	129906-21520	FLYWHEEL CMP	1					
15	2	129900-21600	GEAR, RING	1					
16	2	129930-21690	BEARING	1					
17	1	129906-22080	PISTON WRING	4					
19	2	129906-22050	RING SET, PISTON	4					
23	1	120130-22301	PIN, PISTON	4					
24	1	22252-000300	CIRCLIP 30	8					
25	1	129900-23001	ROD ASSY, CONNECTING	4					
29	2	129900-23911	BUSH, PISTON PIN	4					
30	2	129900-23200	BOLT, ROD	8					
31	2	129900-23600	METAL ASSY, CRANKPIN	4					
33	1	129900-23610	BEARING, PIN U.S.=0.25	4					
35	1	729906-22900	PISTON W/RING O.S.=25	4					
37	2	729906-22950	RING SET O.S.=0.25	4					

Y00W0720

Fig.7. CRANKSHAFT & PISTON



Remarks

- (1) REPAIR PART.
- (2) UNDER-SIZED(U.S.=0.25)PART.
- (3) OVER-SIZED(O.S.=0.25)PART.

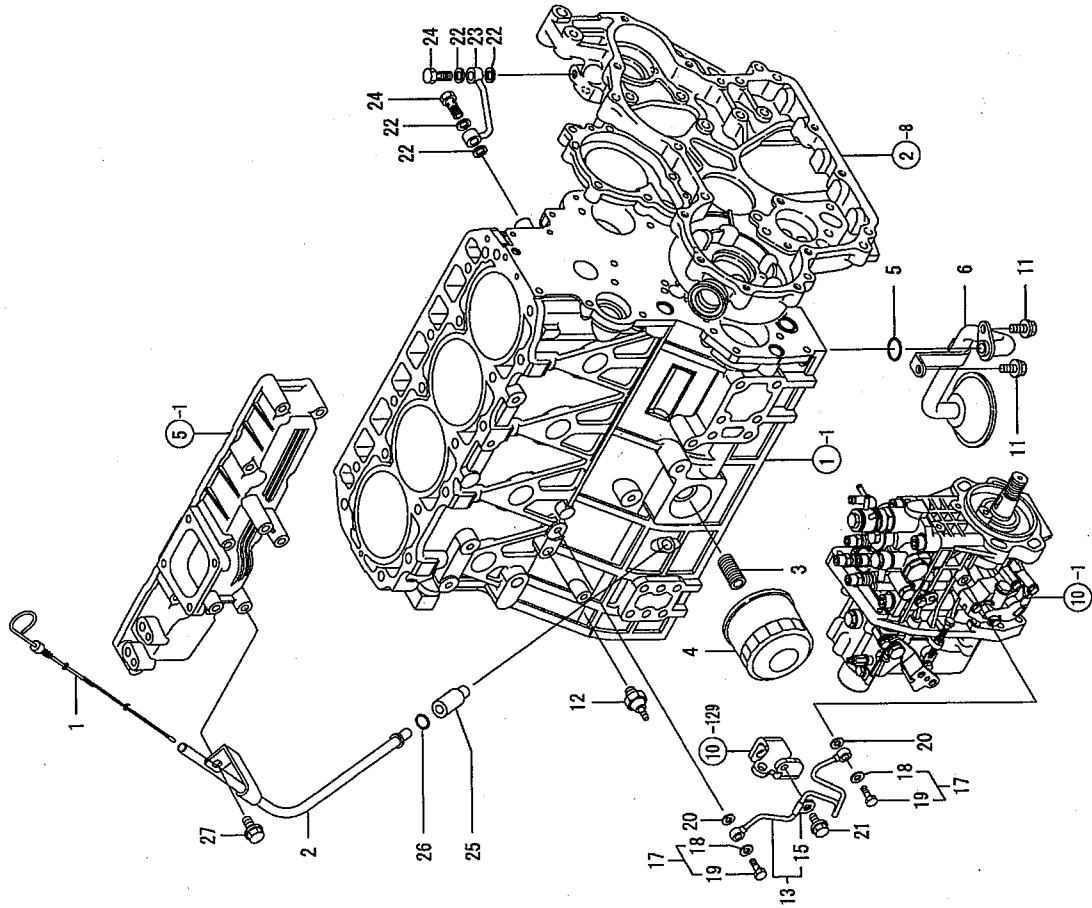
Y00W0720 8. LUB.OIL SYSTEM

(A)=4TNV94L-NHZ  
(B)=  
(C)=  
(D)=  
(E)=  
(F)=

REF.	LEV.	PARTS NO.	DESCRIPTION	(A)	(B)	(C)	(D)	(E)	(F)
1	1	129906-34820	DIPSTICK, LUB.OIL	1					
2	1	129951-34820	GUIDE, DIPSTICK	1					
3	1	119000-35140	STUD, LUB.OIL FILTER	1					
4	1	129150-35152	FILTER 80X80L	1					
5	1	129900-32030	O-RING P20	1					
6	1	129930-35000	PIPE ASSY, LUB. OIL	1					
11	1	26106-080122	BOLT M 8X 12 PLATED	2					
12	1	114250-39450	SWITCH,(0.5KG)L.O.	1					
13	1	129907-39061	PIPE ASSY, LUB. OIL	1					
15	2	123807-39500	SUPPORT PIPE	1					
17	1	129005-59830	BOLT ASSY, JOINT	2					
18	2	22190-080002	SEAL WASHER 8S	2					
19	2	23857-030000	JOINT BOLT 3	2					
20	1	22190-080002	SEAL WASHER 8S	2					
21	1	26106-080122	BOLT M 8X 12 PLATED	1					
22	1	22190-080002	SEAL WASHER 8S	4					
23	1	129930-39050	PIPE	1					
24	1	105010-39140	BOLT, PIPE JOINT	2					
25	1	119260-34810	GUIDE, DIPSTICK	1					
26	1	24311-240100	O-RING 1A P-10A	1					
27	1	26106-080162	BOLT M 8X 16 PLATED	1					

Y00W0720

Fig.8. LUB.OIL SYSTEM

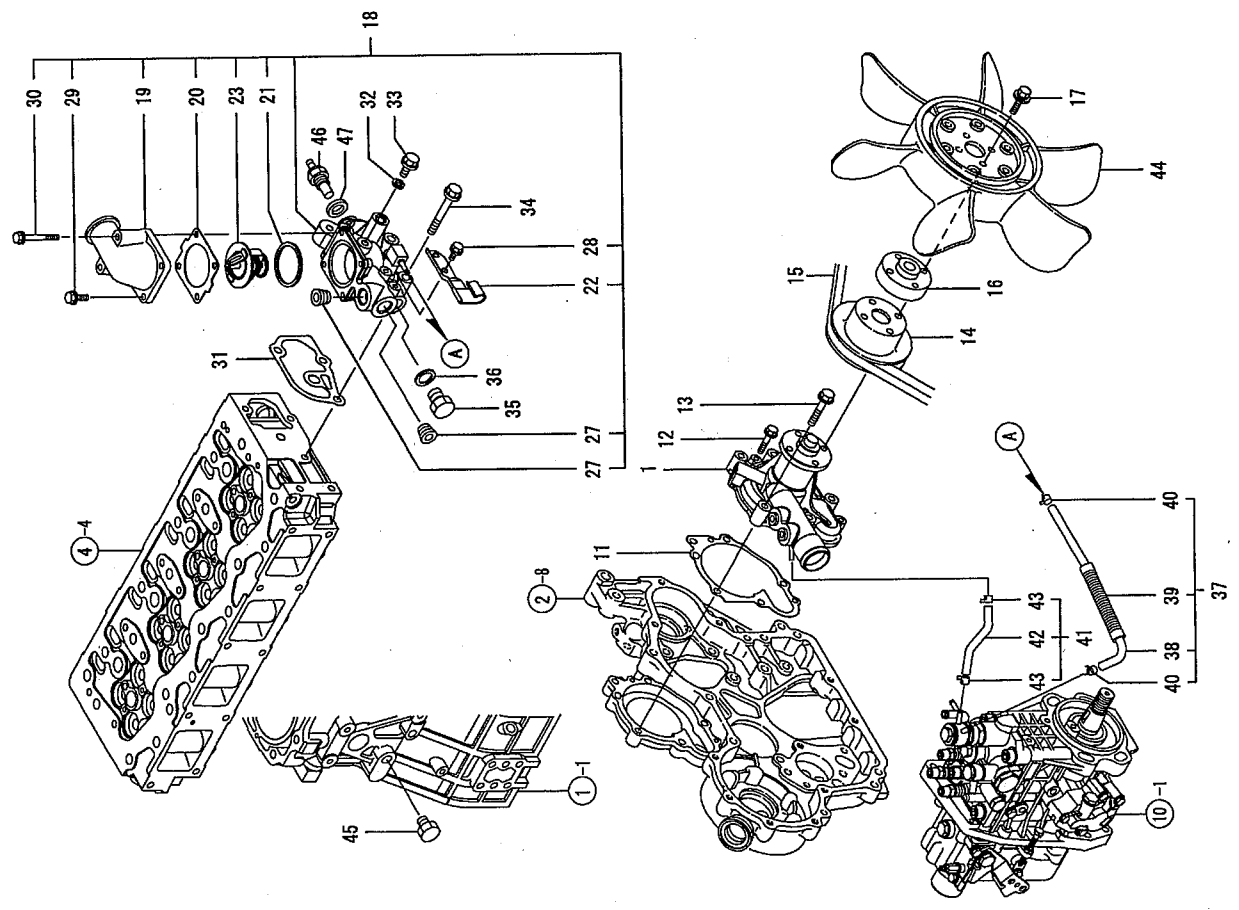


Y00W0720 9. COOLING WATER SYSTEM

(A)=4TNV94L-NHZ (D)=  
 (B)= (E)=  
 (C)= (F)=

REF.	LEV.	PARTS NO.	DESCRIPTION	QTY					
				(A)	(B)	(C)	(D)	(E)	(F)
1	1	129907-42000	PUMP ASSY, WATER	1					
11	1	129900-42020	GASKET, CW-P	1					
12	1	26106-060302	BOLT M 6X 30 PLATED	2					
13	1	26106-080552	BOLT M 8X 55 PLATED	5					
14	1	129900-42450	PULLEY	1					
15	1	25132-004100	V-BELT	1					
16	1	119130-44760	SPACER, FAN	1					
17	1	26106-080302	BOLT M 8X 30 PLATED	4					
18	1	129906-49810	CASE ASSY, THERMOSTAT	1					
19	2	129980-49530	COVER, THERMOSTAT	1					
20	2	121850-49540	GASKET, THERMOSTAT	1					
21	2	121850-49550	GASKET, THERMOSTAT	1					
22	2	129907-49730	PIPE ASSY, INJECTION	1					
23	2	121850-49800	THERMOSTAT	1					
27	2	129916-49740	PLUG, DRAIN R03	2					
28	2	26106-060122	BOLT M 6X 12 PLATED	1					
29	2	26106-060202	BOLT M 6X 20 PLATED	2					
30	2	26106-060552	BOLT M 6X 55 PLATED	2					
31	1	129900-49870	GASKET, CASE	1					
32	1	23414-080000	GASKET 8, ROUND	1					
33	1	26106-080122	BOLT M 8X 12 PLATED	1					
34	1	26106-080602	BOLT M 8X 60 PLATED	3					
35	1	121450-42450	PLUG M16	1					
36	1	124465-44950	GASKET 16	1					
37	1	129907-49610	HOSE A ASSY, WATER	1					
38	2	129907-49710	PIPE A, COOLING WATER	1					
39	2	129907-49750	PROTECTOR, PIPE 10.7	1					
40	2	124722-59050	CLAMP 9	2					
41	1	129907-49620	HOSE B ASSY, WATER	1					
42	2	129907-49720	PIPE B, COOLING WATER	1					
43	2	124722-59050	CLAMP 9	2					
44	1	129900-44700	FAN	1					
45	1	171056-49120	PLUG, DRAIN	1					
46	1	124250-49351	THERMOMETER	1					
47	1	129150-49360	GASKET 10	1					

Y00W0720 Fig.9. COOLING WATER SYSTEM



10. FUEL INJECTION PUMP

(A)=4TNV94L-NHZ  
(B)=  
(C)=  
(D)=  
(E)=  
(F)=

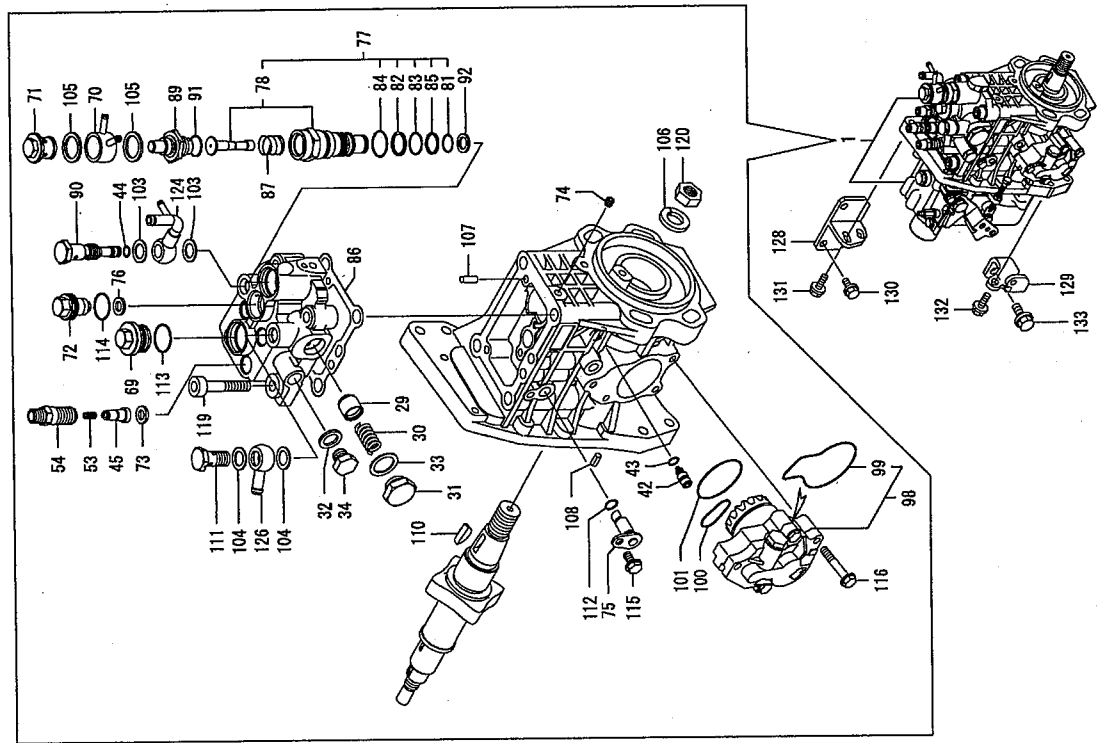
REF. LEV. PARTS NO. DESCRIPTION QTY I R

REF.	LEV.	PARTS NO.	DESCRIPTION	QTY	I	R
1		729832-51370	PUMP ASSY, F.INJECT	1		1
29	2	158601-51770	PISTON	1		
30	2	158552-51780	DAMPER ASSY	1		
31	2	158601-51790	PLUG	1		
32	2	22190-120002	SEAL WASHER 12	1		
33	2	22190-180002	SEAL WASHER 18	1		
34	2	23887-120002	PLUG M12,HEX.	1		
42	2	158600-51270	STOPPER	1		
43	2	158563-51281	O-RING	1		
44	2	158563-51281	O-RING	1		
45	2	158560-51300	VALVE ASSY, DILEVERY	4		
53	2	158563-51330	SPRING	4		
54	2	129907-51340	HOLDER	4		
69	2	158601-51550	PLUG	4		
70	2	158553-51551	JOINT, COOLING WATER	1		
71	2	158601-51570	PLUG,WATER PUMP	1		
72	2	129907-51560	PLUG	1		
73	2	158552-51570	PK(BARREL PLUG	4		
74	2	158557-51570	PLUG	1		
75	2	158552-51580	LIFTER	1		
76	2	129906-51580	PACKING, PLUG	1		
77	2	119802-51590	TIMER SET	1		
78	3	119802-51600	TIMER CMP	1		
81	3	158553-51670	O-RING, 1011	1		
82	3	119802-51680	BACKUP RING	1		
83	3	119802-51690	O RING	1		
84	3	24356-010200	PACKING, 1020	1		
85	3	24372-000150	RING, BACKUP T2 P 15	1		
86	2	158560-51600	PACKING, HEAD	1		
87	2	158553-51630	SPRING,TIMER	1		
89	2	158553-51640	ELEMENT, THERMO	1		
90	2	158601-51650	JOINT	1		
91	2	158553-51660	O-RING,P14	1		
92	2	158553-51680	PACKING,TIMER	1		
98	2	158552-52100	PUMP ASSY,FEED	1		
99	3	158552-52500	O-RING(FEED P INNER	1		
100	2	158552-52310	O-RING	1		
101	2	158552-52400	O-RING 4E S42	1		
103	2	22190-120002	SEAL WASHER 12	2		
104	2	22190-120002	SEAL WASHER 12	2		
105	2	22190-180002	SEAL WASHER 18	2		
106	2	22217-180000	SPRING WASHER 18	1		
107	2	22312-050140	PARALLEL PIN 5X14	2		
108	2	22351-050010	SPRING PIN 5X10	2		
110	2	144626-51090	KEY 5X19	1		
111	2	23857-060000	JOINT BOLT 6,PIPE	1		
112	2	24311-000070	O-RING 1A P-7.0	1		
113	2	24356-010200	PACKING, 1020	1		
114	2	24356-020210	O RING	1		
115	2	26106-060102	BOLT 6X 10 PLATED	1		
116	2	26106-060352	BOLT M 6X 35 PLATED	4		
119	2	26450-100452	BOLT M10X 45	4		
120	2	26776-180002	NUT M18,LOCK	1		
124	2	158552-51670	JOINT	1		

++ CONTINUE ++

(C) Copy Rights YANMAR CO.,LTD and YANMAR AGRICULTURAL EQUIPMENT CO.,LTD.

Fig.10. FUEL INJECTION PUMP



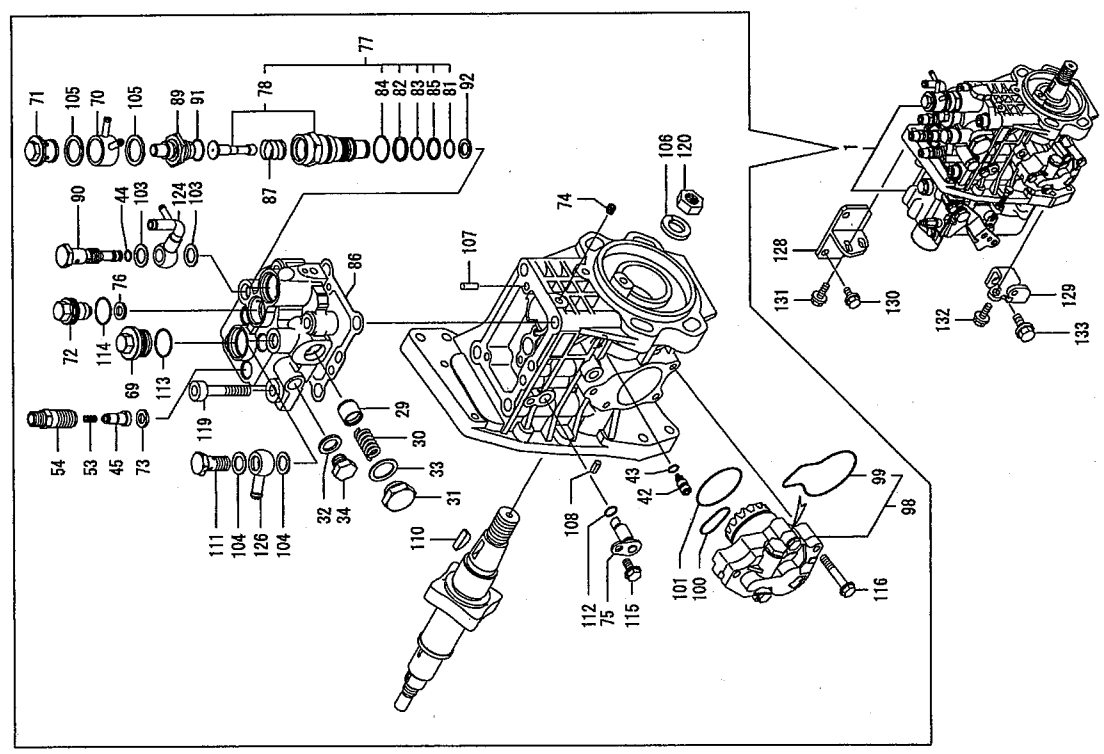
Remarks  
(1) GOVERNOR ASSY(FIG.11) IS INCORPORATED IN THIS FOP.CMP (REF.NO.1).

10. FUEL INJECTION PUMP

Fig.10. FUEL INJECTION PUMP

(A)=4TNV94L-NHZ  
 (B)=  
 (C)=  
 (D)=  
 (E)=  
 (F)=

REF.	LEV.	PARTS NO.	DESCRIPTION	(A)	(B)	(C)	(D)	(E)	(F)
126	2	129916-59020	JOINT 12, PIPE	1					
128	1	129907-01950	RETAINER,MP4	1					
129	1	129907-01960	RETAINER,MP4	1					
130	1	26106-080162	BOLT M 8X 16 PLATED	2					
131	1	26106-080222	BOLT M 8X 22 PLATED	2					
132	1	26106-080222	BOLT M 8X 22 PLATED	1					
133	1	26106-100202	BOLT M10X 20 PLATED	1					



Remarks  
 (1) GOVERNOR ASSY(FIG.11) IS  
 INCORPORATED IN THIS FOP.CMP  
 (REF.NO.1).

Y00W0720

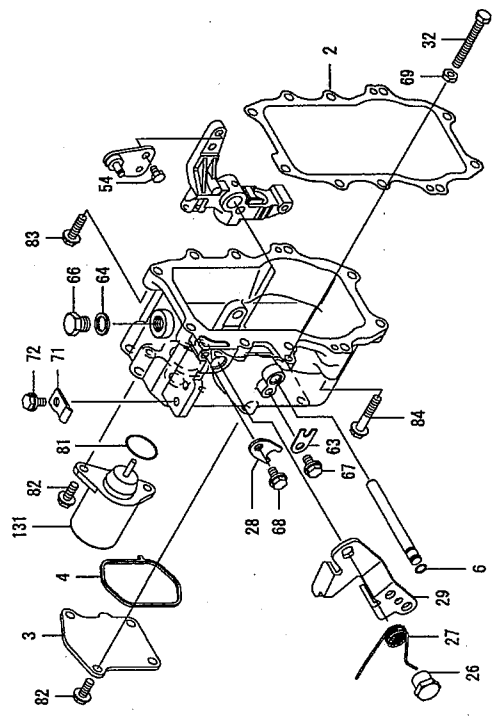
11. GOVERNOR

Y00W0720

Fig.11. GOVERNOR

(A)=4TNV94L-NHZ  
(B)=  
(C)=  
(D)=  
(E)=  
(F)=

REF.	LEV.	PARTS NO.	DESCRIPTION	QTY					
				(A)	(B)	(C)	(D)	(E)	(F)
2	2	158560-61050	PACKING, CASE	1					
3	2	158560-61061	COVER, CASE	1					
4	2	158560-61071	PACKING	1					
6	2	129155-51280	O-RING S6	1					
26	2	129255-61410	NUT	1					
27	2	123944-61420	SPRING, LEVER	1					
28	2	158560-61430	RETAINER	1					
29	2	158560-61441	LEVER, REGULATOR	1					
32	2	129155-61460	BOLT, IDLE LIMIT	1					
54	2	26116-060102	BOLT M 6X 10 PLATED	1					
63	2	119660-61901	RETAINER, SHAFT	1					
64	2	22190-160002	SEAL WASHER 16S	1					
66	2	23887-160002	PLUG 16,HEX.	1					
67	2	26106-060102	BOLT 6X 10 PLATED	1					
68	2	26106-060102	BOLT 6X 10 PLATED	1					
69	2	26756-060002	LOCK NUT 6	1					
71	2	123944-61430	RETAINER	1					
72	2	26106-060102	BOLT 6X 10 PLATED	1					
81	2	24341-000280	O-RING 1A S-28.0	1					
82	2	26106-060142	BOLT M 6X 14 PLATED	6					
83	2	26106-060252	BOLT M 6X 25 PLATED	8					
84	2	26106-060402	BOLT M 6X 40 PLATED	2					
131	2	119653-77950	SOLENOID, STOP	1					



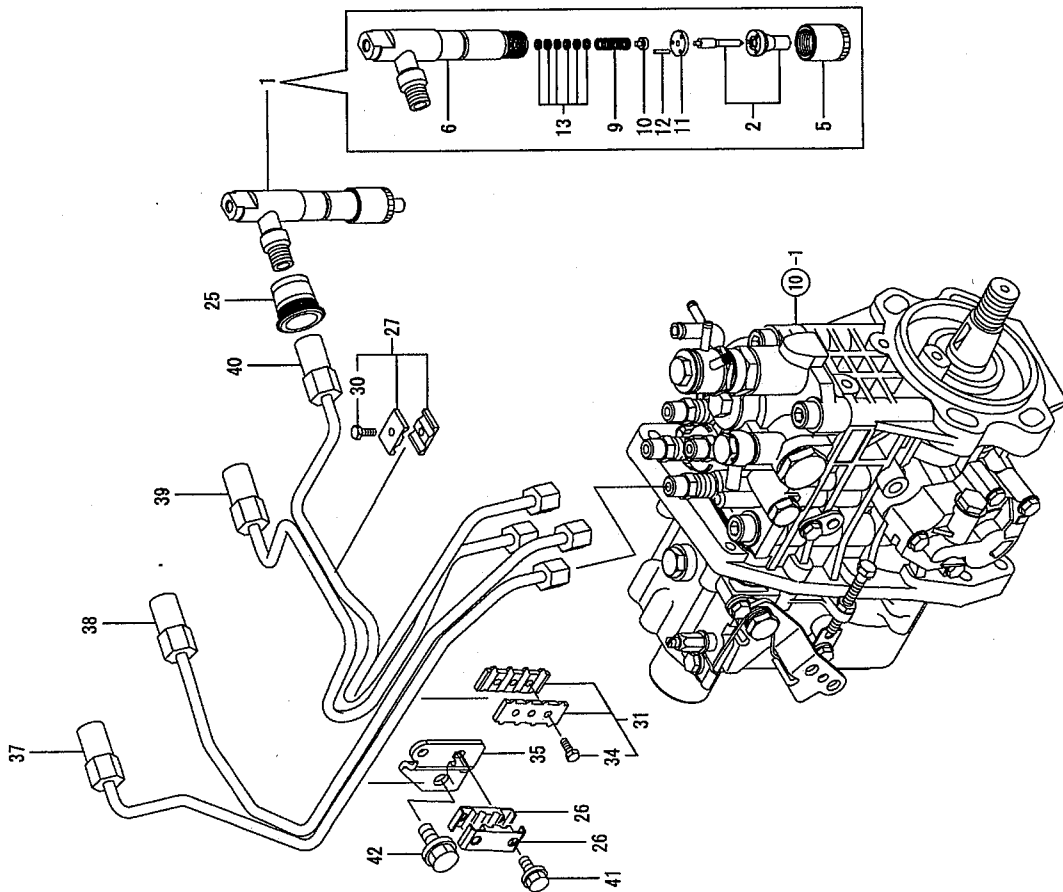
Remarks  
\* THIS FIGURE(GOVERNOR ASSY)IS INCORPORATED IN THE FUEL INJECTION PUMP ASSY(FIG.10).

Y00W0720 12. FUEL INJECTION VALVE

(A)=4TNV94L-NHZ (D)=  
 (B)= (E)=  
 (C)= (F)=

REF.	LEV.	PARTS NO.	DESCRIPTION	QTY					
				(A)	(B)	(C)	(D)	(E)	(F)
1	1	729906-53100	VALVE ASSY, F. INJECT	4					
2	2	129906-53000	NOZZLE ASSY	4					
5	2	114250-53080	NUT, NOZZLE CASE	4					
6	2	129907-53100	HOLDER ASSY, NOZZLE	4					
9	2	114250-53120	SPRING, NOZZLE	4					
10	2	114250-53130	SEAT, NOZZLE SPRING	4					
11	2	114250-53140	PLATE, STOP	4					
12	2	114250-53210	PIN	8					
13	2	114250-53400	SHIM PACK	4					
25	1	123907-11601	PIPE SEAL	4					
26	1	122780-59100	RETAINER	2					
27	1	119305-59120	RETAINER	1					
30	2	129150-59131	BOLT MAX14, HEX. SCKT.	1					
31	1	129550-59120	RETAINER	1					
34	2	129150-59131	BOLT MAX14, HEX. SCKT.	2					
35	1	129907-59710	PIPE ASSY, INJECTION	1					
37	1	129906-59810	PIPE ASSY, INJECTION	1					
38	1	129906-59820	PIPE ASSY, INJECTION	1					
39	1	129906-59830	PIPE ASSY, INJECTION	1					
40	1	129906-59840	PIPE ASSY, INJECTION	1					
41	1	26106-060162	BOLT M 6X 16 PLATED	2					
42	1	26106-080182	BOLT M 8X 18 PLATED	1					

Y00W0720 Fig.12. FUEL INJECTION VALVE



Y00W0720 13. FUEL LINE

(A)=TUV94L-NHZ  
(B)=  
(C)=  
(D)=  
(E)=  
(F)=

QTY I R

REF. LEV. PARTS NO. DESCRIPTION

REF.	LEV.	PARTS NO.	DESCRIPTION	(A)	(B)	(C)	(D)	(E)	(F)
1	1	129004-55611	BRACKET, FILTER	1					
2	1	129907-55800	FILTER, FUEL OIL	1					
3	1	26106-080302	BOLT M 8X 30 PLATED	2					
4	1	129457-59010	PIPE ASSY, FUEL	1					
5	2	124766-59050	CLAMP 12	2					
6	2	129957-59120	PROTECTOR, FUEL PIPE	1					
7	2	105025-59750	PIPE, FUEL OIL	1					
8	1	129981-59010	PIPE ASSY, FUEL	1					
9	2	124766-59050	CLAMP 12	2					
10	2	129950-59221	TUBE	1					
11	2	129980-59510	PIPE, FUEL OIL	1					
12	1	129907-59140	PIPE ASSY, F.O. RETURN	1					
13	1	123907-59540	JOINT BOLT M6	5					
14	1	123907-59550	PACKING, FUEL RETURN	5					
15	1	129486-59551	PIPE, FUEL RETURN	1					
16	2	124722-59050	CLAMP 9	2					
18	1	123907-59560	HOSE JOINT 4	1					
19	1	22190-080002	SEAL WASHER 8S	1					
20	1	121750-59690	CLAMP 140	1					
21	1	119225-52102	PUMP ASSY, FUEL FEED	1					
22	1	129917-55800	FILTER, FUEL OIL	1					
23	2	129917-55810	BODY ASSY, FILTER	1					
24	2	129917-55820	SENSOR ASSY, LEVEL	1					
25	2	129917-55830	PLUG, DRAIN	1					
26	2	129917-55840	O-RING	1					
27	2	129917-55850	ELEMENT ASSY, FILTER	1					

Y00W0720 Fig.13. FUEL LINE

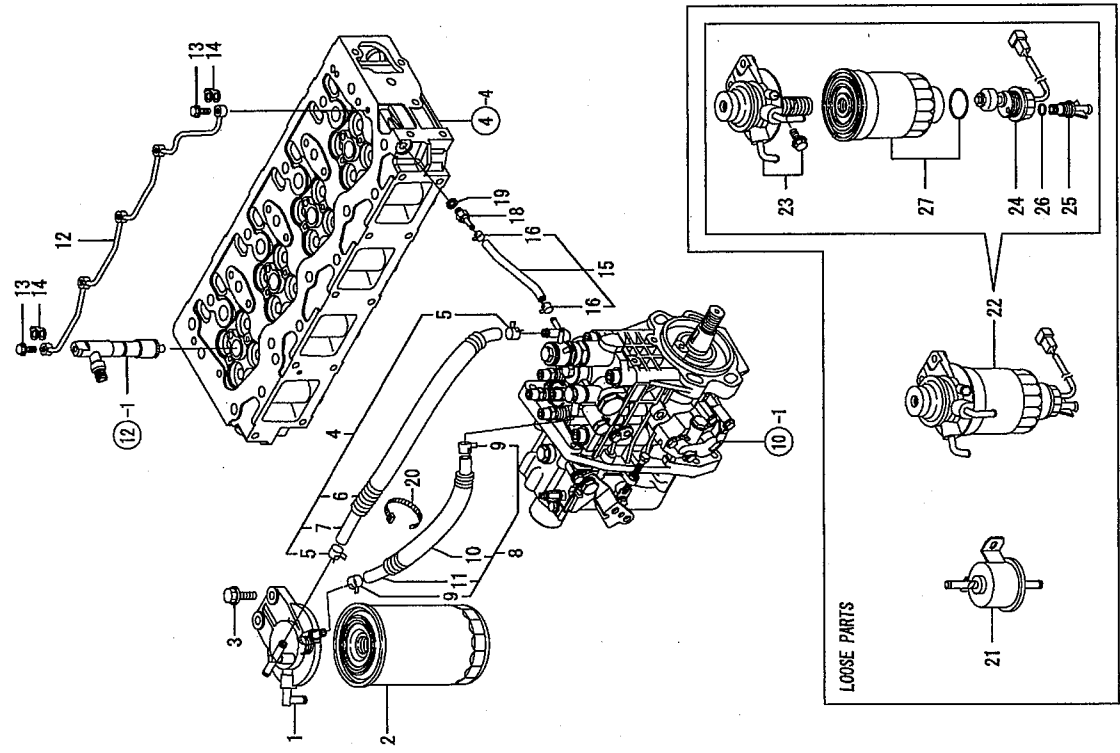


Fig. 14. STARTING MOTOR

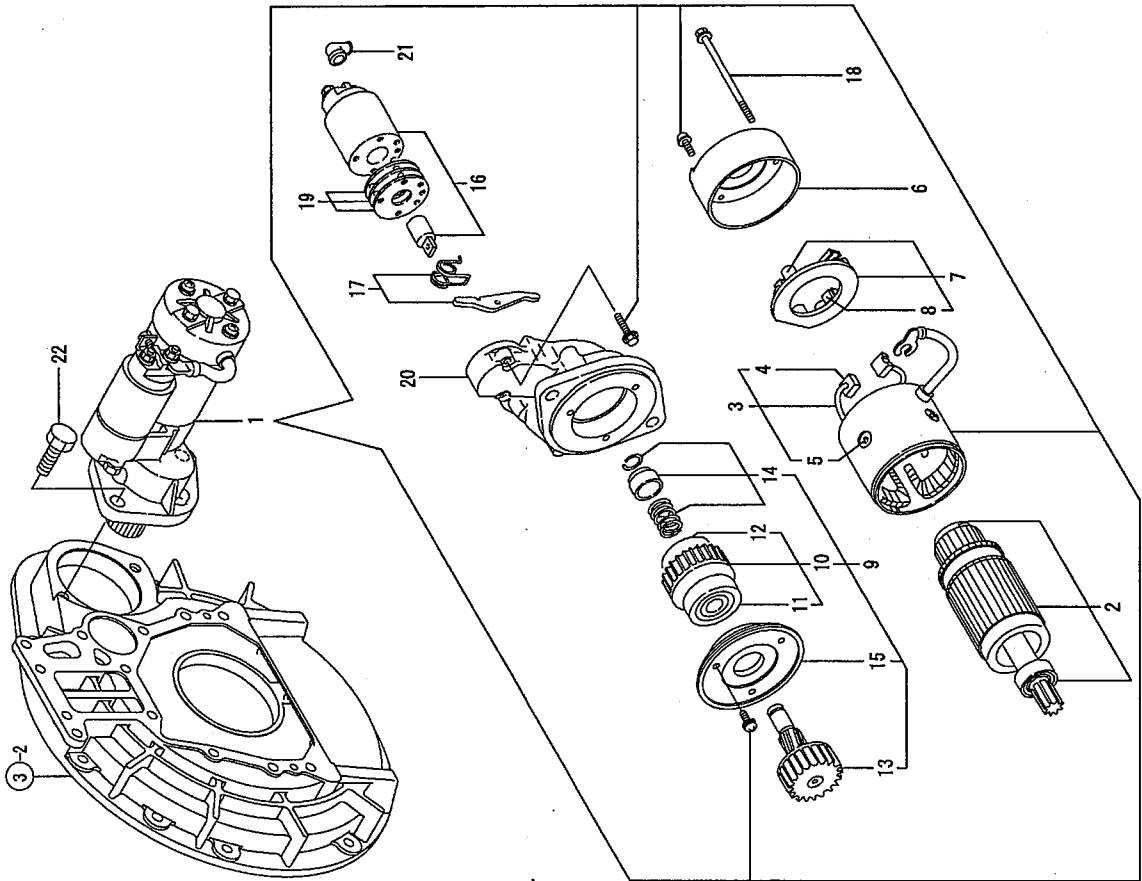
Y00W0720 14. STARTING MOTOR

(A)=4TNV94L-NHZ  
 (B)=  
 (C)=  
 (D)=  
 (E)=  
 (F)=

QTY \_\_\_\_\_ I R

REF. LEV. PARTS NO. DESCRIPTION

REF.	LEV.	PARTS NO.	DESCRIPTION	(A)	(B)	(C)	(D)	(E)	(F)
1	1	129900-77010	STARTER(2.3KW)	1					
2	2	129900-77400	ARMATURE ASSY	1					
3	2	129900-77440	COIL ASSY, FIELD	1					
4	3	129900-77450	BRUSH (+)	2					
5	3	171008-77450	SCREW, POLE CORE SET	4					
6	2	129900-77460	COVER, REAR	1					
7	2	129900-77480	HOLDER ASSY, BRASH	1					
8	3	129900-77500	BRASH (-)	2					
9	2	129900-77510	PINION ASSY	1					
10	3	129900-77520	CLUTCH ASSY	1					
11	4	171008-77730	BALL BEARING (3)	1					
12	4	171008-77740	BALL BEARING (4)	1					
13	3	129900-77540	SHAFT, PINION	1					
14	3	129900-77550	STOPPER SET	1					
15	3	129900-77610	RETAINER, BEARING	1					
16	2	129900-77591	SWITCH ASSY,MAGNETIC	1					
17	2	129900-77620	SHIFT LEVER SET	1					
18	2	129900-77640	BOLT, THROUGH	2					
19	2	129900-77650	COVER ASSY, DUST	1					
20	2	129900-77710	HOUSING, GEARS	1					
21	2	171008-77750	COVER, M TERMINAL	1					
22	1	26116-120302	BOLT M12X 30 PLATED	2					



Y00W0720 15. GENERATOR

(A)=4TNV94L-NHZ  
 (B)=  
 (C)=  
 (D)=  
 (E)=  
 (F)=

QTY \_\_\_\_\_ I R

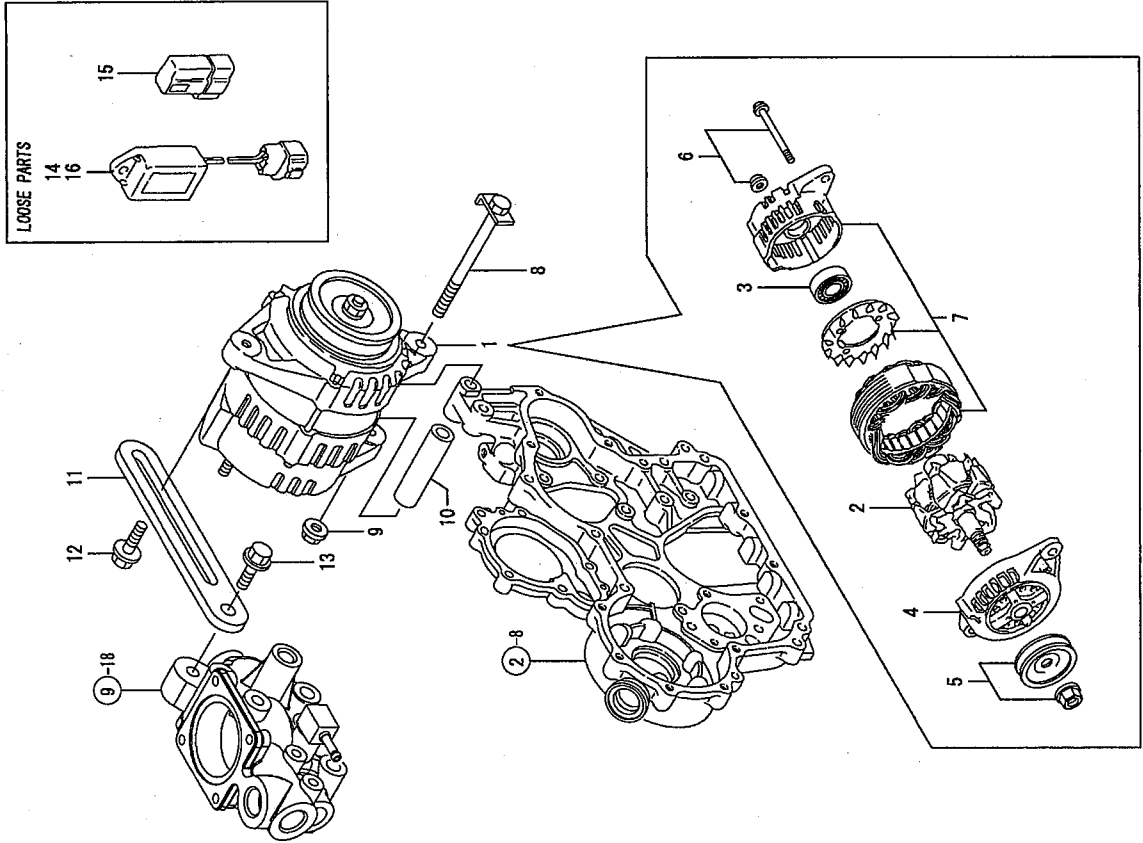
DESCRIPTION

PARTS NO.

LEV.

REF.

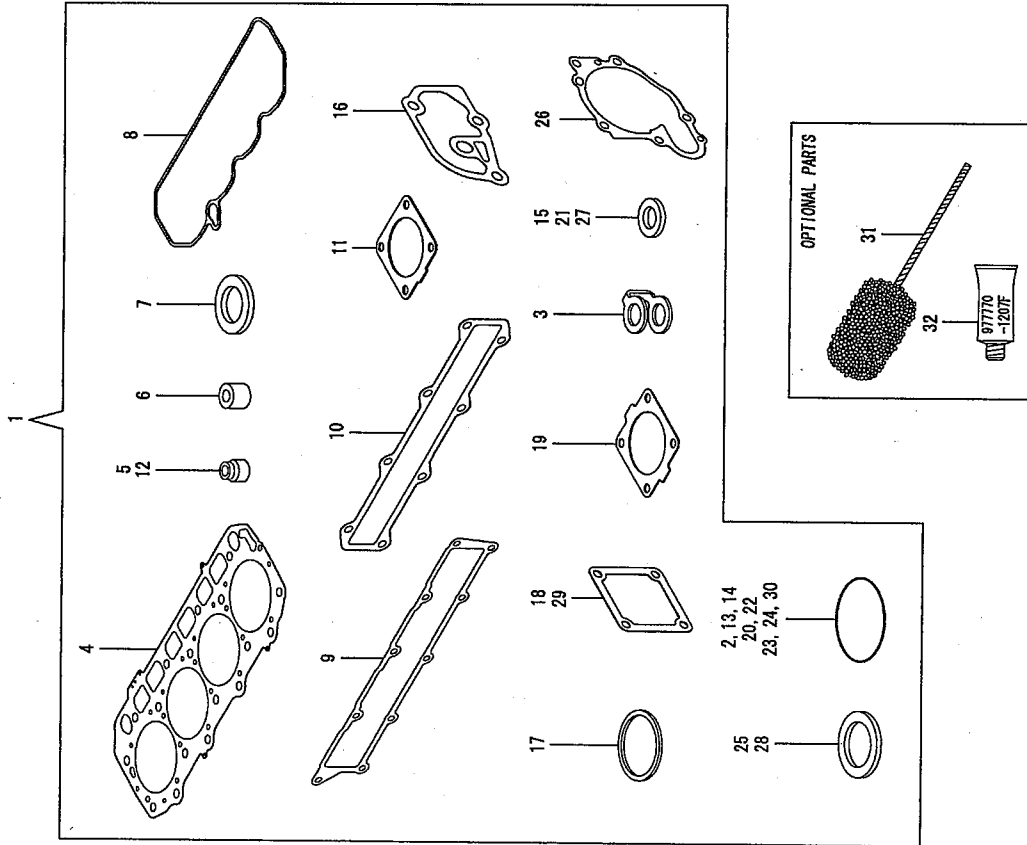
REF.	LEV.	PARTS NO.	DESCRIPTION	(A)	(B)	(C)	(D)	(E)	(F)
1	1	119836-77201	GENERATOR (AC)	1					
2	2	129612-77700	ROTOR ASSY	1					
3	2	129612-77710	BALL BEARING	1					
4	2	129612-77730	FRONT BRACKET ASSY	1					
5	2	129612-77740	PULLEY	1					
6	2	129612-77750	SCREW KIT	1					
7	2	119836-77920	BRACKET ASSY, REAR	1					
8	1	129136-77251	BOLT M 8X110	1					
9	1	129612-77260	NUT, GENERATOR	1					
10	1	129150-77340	SPACER	1					
11	1	129900-77330	AJUSTER, BELT	1					
12	1	119810-77340	BOLT	1					
13	1	26014-080252	BOLT M 8X 25	1					
14	1	129211-77920	TIMER	1					
15	1	119643-66900	DIODE	1					
16	1	128300-77920	TIMER	1					



Y00W0720

Fig. 15. GENERATOR

Fig. 16. GASKET SET



Y00W0720 16. GASKET SET

(A)=4TNV94L-NHZ  
 (B)=  
 (C)=  
 (D)=  
 (E)=  
 (F)=

REF. LEV. PARTS NO. DESCRIPTION (A) (B) (C) (D) (E) (F) I R

REF.	LEV.	PARTS NO.	DESCRIPTION	(A)	(B)	(C)	(D)	(E)	(F)	I	R
1	1	729906-92780	GASKET SET(NON-ASB.)	1							1
2	2	24351-030750	PACKING, 3075	1							
3	2	123907-59550	PACKING,FUEL RETURN	5							
4	2	129906-01340	GASKET,CYLINDER HEAD	1							
5	2	124160-11340	SEAL, VALVE STEM	8							
6	2	119802-11870	PROTECTOR, NOZZLE	4							
7	2	119625-11880	SEAT, NOZZLE	4							
8	2	129907-11310	PACKING,BONNET	1							
9	2	129907-12110	PACKING(INT..MANIFOLD	1							
10	2	129900-13150	GASKET	1							
11	2	129930-13201	GASKET, SILENCER	1							
12	2	124950-11340	SEAL, VALVE STEM	8							
13	2	129900-32030	O-RING P20	2							
14	2	129900-32040	O-RING P14	1							
15	2	124465-44950	GASKET 16	1							
16	2	129900-49870	GASKET, CASE	1							
17	2	121850-49550	GASKET, THERMOSTAT	1							
18	2	121850-77021	GASKET, (NON-ASB.)	1							
19	2	121850-49540	GASKET, THERMOSTAT	1							
20	2	24321-000850	O-RING 1A G-85.0	1							
21	2	23414-080000	GASKET 8, ROUND	1							
22	2	24311-000070	O-RING 1A P-7.0	1							
23	2	24311-000120	O-RING 1A P 12.0	8							
24	2	24311-000320	O-RING 1A P-32.0	2							
25	2	22190-080002	SEAL WASHER 8S	9							
26	2	129900-42020	GASKET, CW-P	1							
27	2	129150-49360	GASKET 10	1							
28	2	22190-220002	SEAL WASHER 22S	1							
29	2	119129-77020	GASKET	1							
30	2	24311-240100	O-RING 1A P-10A	1							
31	1	129400-92440	FLEX HORN	1							
32	1	97770-1207F	GASKET LIQUID	1							

Remarks  
 (1) OPTIONAL PARTS.

# PARTS No. INDEX

PARTS No.	Fig.	Ref.No.
105010-39140	8	24
105025-59750	13	7
114250-39450	8	12
114250-53080	12	5
114250-53120	12	9
114250-53130	12	10
114250-53140	12	11
114250-53210	12	13
114250-53400	12	13
119000-35140	8	3
119005-77050	5	15
119129-77020	5	13
119129-77520	16	29
119130-44760	5	16
119131-18320	9	16
119131-18320	5	10
119225-52102	13	21
119260-34810	8	25
119305-59120	12	27
119593-11301	4	28
119620-11180	4	17
119625-11880	4	26
119640-01640	16	7
119640-01640	3	9
119640-61400	4	61
119643-66900	15	15
119653-77950	11	131
119660-61901	11	63
119802-11870	4	69
119802-13610	16	6
119802-13720	5	9
119802-51590	5	11
119802-51600	10	77
119802-51680	10	78
119802-51690	10	82
119810-77340	15	12
119836-77201	15	1
119836-77920	15	7
120130-22301	7	23
121023-26070	2	39
121450-42450	9	35
121750-59890	13	20
121850-21130	7	11
121850-21290	7	5
121850-21680	7	10
121850-21920	7	6
121850-49540	9	20
121850-49550	16	19
121850-49550	9	21

PARTS No.	Fig.	Ref.No.
121850-49550	16	17
121850-49800	9	23
121850-77021	5	14
122780-59100	16	18
123900-25060	12	26
123907-03100	6	10
123907-03110	4	54
123907-03120	4	55
123907-03140	4	56
123907-11280	4	57
123907-11550	4	33
123907-11601	4	3
123907-11820	12	25
123907-11830	4	10
123907-39500	4	23
123907-59540	8	15
123907-59550	13	13
123907-59550	13	14
123907-59560	16	3
123944-61420	13	18
123944-61430	11	27
124160-01751	11	71
124160-01751	2	37
124160-11340	4	49
124160-11360	4	18
124250-49351	16	5
124465-44950	4	64
124722-59050	9	46
124766-59050	9	36
124950-11340	16	15
126300-77920	9	40
129001-91810	43	43
129004-55611	13	16
129005-59830	13	5
129100-01580	9	9
129136-77251	4	19
129150-02450	16	12
129150-11230	15	16
129150-11750	2	27
129004-55611	28	28
129005-59830	13	1
129100-01580	8	17
129136-77251	2	5
129150-02450	3	1
129150-11230	15	8
129150-11750	6	4
129150-11750	4	36
129150-11750	4	40
129150-11750	22	22
129150-11750	37	37

PARTS No.	Fig.	Ref.No.
129150-11750	4	41
129150-14200	6	1
129150-25920	6	14
129150-35152	8	4
129150-49360	9	47
129150-59131	16	27
129150-59131	12	30
129150-59131	34	34
129150-77340	15	10
129155-51280	11	6
129155-61460	11	32
129211-77920	15	14
129255-61410	11	26
129400-92440	16	31
129457-59010	13	4
129486-59551	13	15
129550-59120	12	31
129612-77260	15	9
129612-77700	15	2
129612-77710	15	3
129612-77730	15	4
129612-77740	15	5
129612-77750	15	6
129900-01200	1	31
129900-01250	1	5
129900-01740	2	6
129900-01850	2	4
129900-01870	2	44
129900-02020	2	45
129900-02340	1	7
129900-02410	1	34
129900-02930	1	10
129900-02940	1	28
129900-13120	5	37
129900-13150	5	7
129900-14110	16	10
129900-14140	6	7
129900-21220	2	23
129900-21600	7	4
129900-21640	7	15
129900-23001	7	8
129900-23200	7	25
129900-23600	7	30
129900-23610	7	31
129900-23911	7	33
129900-25110	7	29
129900-26020	6	11
129900-26250	6	21
129900-26250	2	24

PARTS No.	Fig.	Ref.No.
129900-32001	2	11
129900-32030	2	25
129900-32040	8	5
129900-32040	16	13
129900-42020	2	26
129900-42020	16	14
129900-42450	9	11
129900-44700	16	26
129900-44700	9	14
129900-49870	9	44
129900-49870	9	31
129900-77010	16	16
129900-77330	14	1
129900-77400	15	11
129900-77440	14	2
129900-77440	14	3
129900-77450	14	3
129900-77460	14	4
129900-77480	14	6
129900-77500	14	7
129900-77510	14	8
129900-77520	14	9
129900-77540	14	10
129900-77550	14	13
129900-77591	14	14
129900-77610	14	16
129900-77620	14	15
129900-77640	14	17
129900-77650	14	18
129900-77710	14	19
129902-21050	14	20
129906-01340	7	1
129906-01610	1	32
129906-21520	16	4
129906-22050	3	2
129906-22080	7	12
129906-34820	7	19
129906-49810	7	17
129906-51580	8	1
129906-53000	9	18
129906-59810	10	76
129906-59820	12	2
129906-59830	12	37
129906-59840	12	38
129907-01190	12	39
129907-01950	12	40
129907-01960	12	40
129907-03061	1	33
129907-03061	10	128
129907-03061	10	129
129907-03061	4	51
129907-03061	4	52

# PARTS No. INDEX

PARTS No.	Fig.	Ref.No.
129907-03070	4	53
129907-07900	4	1
129907-11100	4	14
129907-11110	4	15
129907-11120	4	16
129907-11250	4	30
129907-11260	4	31
129907-11270	4	32
129907-11310	4	60
	16	8
129907-11320	4	50
129907-11341	4	29
129907-11510	4	20
129907-11650	4	34
129907-11660	4	38
129907-11700	4	4
129907-11800	4	8
129907-11910	4	67
129907-11920	4	42
129907-11950	4	47
129907-12100	5	3
129907-12110	5	9
	16	9
129907-14400	6	2
129907-14590	6	3
129907-21660	7	9
129907-25900	6	17
129907-39061	8	13
129907-42000	9	1
129907-49610	9	37
129907-49620	9	41
129907-49710	9	38
129907-49720	9	42
129907-49730	9	22
129907-49750	9	39
129907-51340	10	54
129907-51560	10	72
129907-53100	12	6
129907-55800	13	2
129907-59140	13	12
129907-59710	12	35
129916-01790	3	7
129916-49740	9	27
129916-59020	10	126
129917-55800	13	22
129917-55810	13	23
129917-55820	13	24
129917-55830	13	25
129917-55840	13	26
129917-55850	13	27

PARTS No.	Fig.	Ref.No.
129930-01710	3	8
129930-13201	5	6
	16	11
129930-21690	7	16
129930-35000	8	6
129930-39050	8	23
129950-59221	13	10
129951-34820	8	2
129953-25300	6	16
129957-59120	13	6
129962-01500	2	8
129980-49530	9	19
129980-59510	13	11
129981-59010	13	8
144626-51090	10	110
158552-51570	10	73
158552-51580	10	75
158552-51670	10	124
158552-51780	10	30
158552-52100	10	98
158552-52310	10	100
158552-52400	10	101
158552-52500	10	99
158553-51551	10	70
158553-51630	10	87
158553-51640	10	89
158553-51660	10	91
158553-51670	10	81
158553-51680	10	92
158557-51570	10	74
158560-51300	10	45
158560-51600	10	86
158560-61050	11	2
158560-61061	11	3
158560-61071	11	4
158560-61430	11	28
158560-61441	11	29
158563-51150	6	18
158563-51281	10	43
	10	44
158563-51330	10	53
158600-51270	10	42
158601-51550	10	69
158601-51570	10	71
158601-51650	10	90
158601-51770	10	29
158601-51790	10	31
171008-77450	14	5
171008-77730	14	11
171008-77740	14	12

PARTS No.	Fig.	Ref.No.
171008-77750	14	21
171051-01921	1	6
171056-49120	9	45
729900-02800	1	25
729906-01560	1	1
729906-22900	7	35
729906-22950	7	37
729906-53100	12	1
729906-92780	16	1
729907-01550	2	1
729932-51370	10	1
977770-1207F	2	42
	3	4
	4	68
	16	32

PARTS No.	Fig.	Ref.No.
-----------	------	---------