

第六部分 液压系统目录

Part VI Hydraulic system contents

| | | | | |
|-------------------|-------------------|------------------|-------------------|------------------|
| CPCD20/25-XRG71 | CPCD20/25-XRG72 | CPCD20/25-XRG72F | CPC20/25-XRG72 | CPCD20/25-XRG72J |
| CPC20/25-XRG72J | CPCD20/25-XRW10 | CPCD20/25-XRW10B | CPCD20/25-XRW10F | CPC20/25-XRW10 |
| CPCD20/25-XRW33B | CPCD20/25-XRW33F | CPCD20/25-XRW43 | CPCD20/25-XRW43B | CPCD20/25-XRW43F |
| CPCD20/25-XRW73 | CPCD20/25-XRW55B | CPCD20/25-XRW55F | CPC20/25-XRW55 | CPCD20/25-XRW56 |
| CPCD20/25-XRW56B | CPCD20/25-XRW56F | CPQD20/25-XRW22 | CPQD20/25-XRW22B | CPQYD20/25-XRW22 |
| CPCD20/25-XRG2 | CPCD20/25-XRW92F | CPQD20/25-XRW22F | CPQYD20/25-XRW22F | CPYD20/25-XRW52F |
| CPCD20/25-XRG72JF | CPQYD20/25-XRW22B | | | |

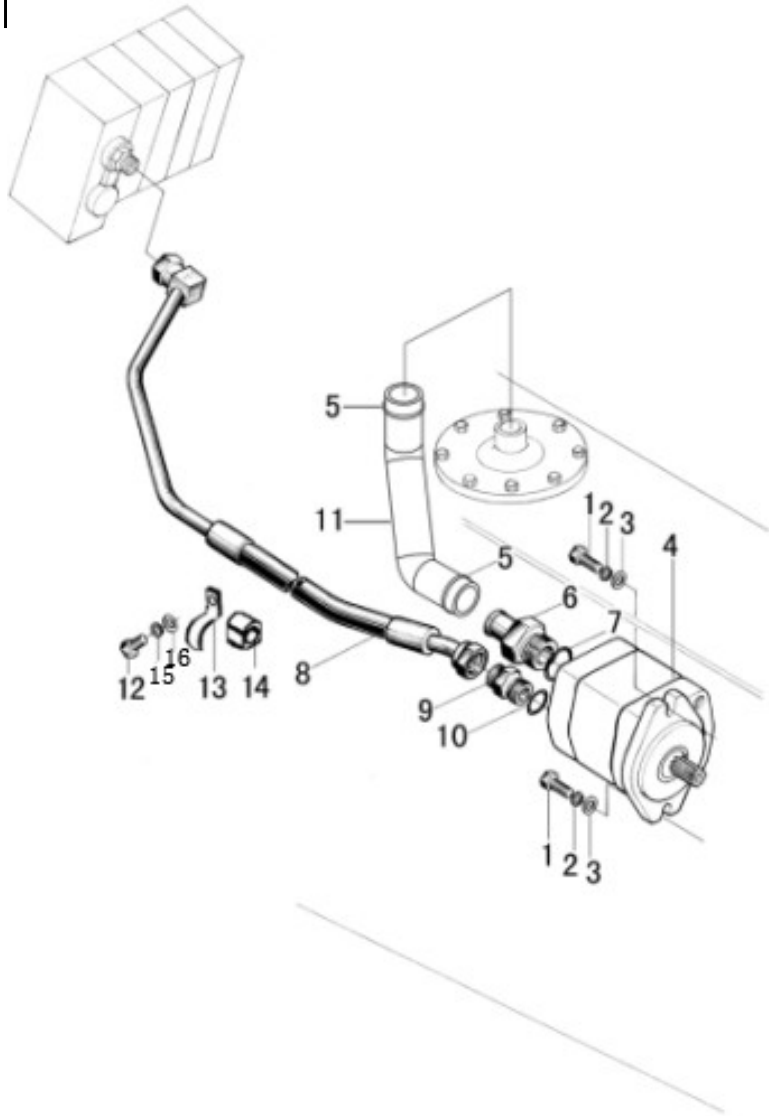
| 序号 Item | 名称 Description | 适用车型 Serial No. | 页码 Page |
|---------------|---------------------------|--------------------|------------|
| 图 1 Fig. 1 | 油泵总成 Oil pump assy | | 6-1 |
| 图 2 Fig. 2 | 油泵总成 Oil pump assy | | 6-3 |
| 图 3 Fig. 3 | 油泵总成 Oil pump assy | | 6-4 |
| 图 4 Fig. 4 | 转向管路 Steering oil pipe | | 6-6 |

| 序号 Item | 名称 Description | 适用车型 Serial No. | 页码 Page |
|---------------|------------------------------------|--------------------------------------|------------|
| 图 5 Fig. 5 | 转向管路 Steering oil pipe | 除外/Except 全部车型All models of truck | 6-9 |
| 图 6 Fig. 6 | 回油滤油总成 Strainer assy | 全部车型 All model of truck | 6-12 |
| 图 7 Fig.7 | 液压油箱附件 Hydraulic tank accessory | 全部车型 All model of truck | 6-13 |

| 序号 Item | 名称 Description | 适用车型 Serial No. | 页码 Page |
|-----------------|----------------------------------|-------------------------------------|------------|
| 图 8 Fig.8 | 多路阀操纵 Multi-way valve control | 全部车型 All model of truck | 6-14 |
| 图 9 Fig.9 | 多路阀总成 Multi-way valve assy | 除外/except 全部车型All model of truck | 6-16 |
| 图 10 Fig.10 | 多路阀总成 Multi-way valve assy | | 6-18 |
| 图 11 Fig.11 | 倾斜管路 Tilting oil pipe | 所有车型 All model of truck | 6-20 |
| 图 12 Fig. 12 | 油泵总成 Oil pump assy | | 6-21 |
| 图 13 Fig. 13 | 油泵总成 Oil pump assy | | 6-23 |

| | | | | | | |
|--------------------------------|-------------------|-----------------|-------------------|------------------|---------------------------------|--------------------------|
| 图1 油泵总成 Fig.1 Oil pump assy | CPCD20/25-XRG71 | CPCD20/25-XRG72 | CPCD20/25-XRG72F | CPC20/25-XRG72 | | |
| | CPCD20/25-XRG72J | CPC20/25-XRG72J | CPCD20/25-XRG2 | CPCD20/25-XRW92F | | |
| | CPCD20/25-XRG72JF | | | | | |
| | 序号 Item | 代号 Part No | 名称 Description | 数量 Qty | 备注或适用车型 Remarks or Serial No | 原物料码 Original Part No |
| | 1 | 300010040011 | 螺栓 M10×30 | 2 | | G005783-010030-00 |
| | 2 | 300030010001 | 垫圈10 | 3 | | G000093-000010-00 |
| | 3 | 300030040002 | 垫圈10 | 3 | | G0097P1-000010-00 |
| | 4 | 206100070170 | 齿轮泵 | 1 | | R305-601100-000 |
| | 4 | 206100070278 | 齿轮泵 | 1 | | XR318-601100-000 |
| | 5 | 209990000518 | 双钢丝式环箍44 | 2 | | Q672-44-G00 |
| | 6 | 310050020260 | 管接头 | 1 | | 30DHBW9-600001 |
| | 7 | 300130010117 | O形密封圈35×3.5 | 1 | | G001235-003503P5-00 |
| | 8 | 206300250153 | 油管总成 | 1 | | XRF310-604000-000 |
| | 9 | 201600020091 | 直通管接头 | 1 | | 30DH-600001 |
| | 10 | 300130010134 | O形密封圈24×2.4 | 1 | | G001235-002402P4-00 |
| | 11 | 206300071123 | 吸油管 | 1 | | R960-600001-001 |
| | 12 | 300010040005 | 螺栓M10×20 | 1 | | G005783-010020-00 |
| | 13 | 310040010103 | 管夹 | 1 | | NC9321-600003-000 |

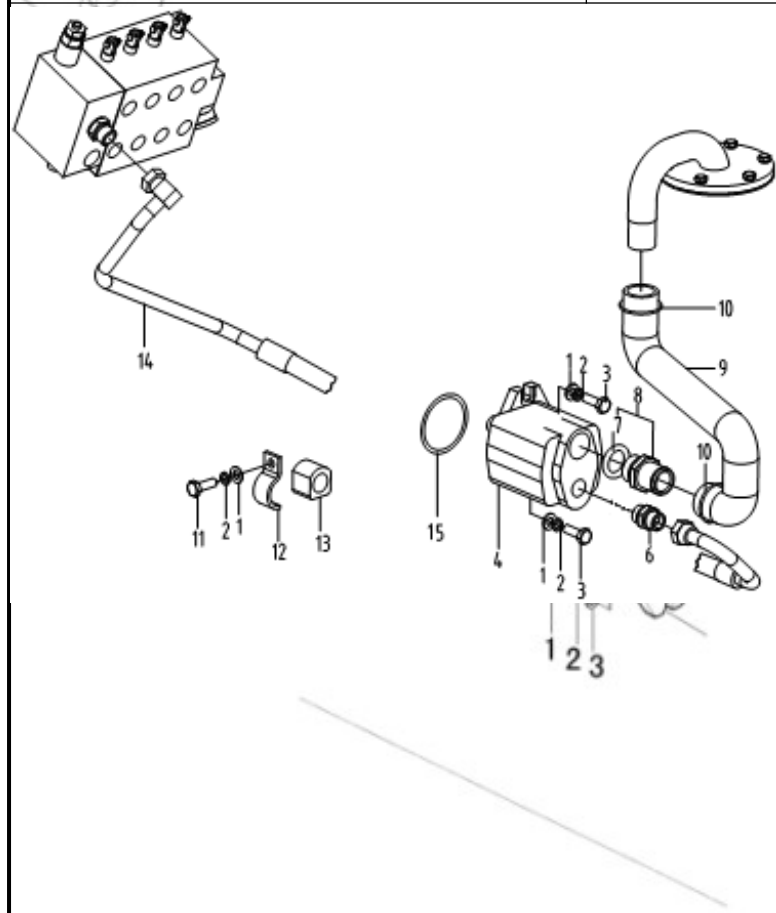
| | | | | | |
|----|--------------|----|---|--|-------------------|
| 14 | 206400050020 | 衬套 | 1 | | NC9321-600002-000 |
|----|--------------|----|---|--|-------------------|



| | | | | | | |
|--------------------------------|-------------------|-----------------|-------------------|------------------|---------------------------------|--------------------------|
| 图1 油泵总成 Fig.1 Oil pump assy | CPCD20/25-XRG71 | CPCD20/25-XRG72 | CPCD20/25-XRG72F | CPC20/25-XRG72 | | |
| | CPCD20/25-XRG72J | CPC20/25-XRG72J | CPCD20/25-XRG2 | CPCD20/25-XRW92F | | |
| | CPCD20/25-XRG72JF | | | | | |
| | 序号 Item | 代号 Part No | 名称 Description | 数量 Qty | 备注或适用车型 Remarks or Serial No | 原物料码 Original Part No |
| | 15 | 300030010015 | 垫圈8 | 1 | | G000093-000008-00 |
| | 16 | 300030040014 | 垫圈8 | 1 | | G0097P1-000008-00 |
| | | | | | | |
| | | | | | | |
| | | | | | | |
| | | | | | | |
| | | | | | | |
| | | | | | | |
| | | | | | | |
| | | | | | | |
| | | | | | | |
| | | | | | | |
| | | | | | | |
| | | | | | | |
| | | | | | | |
| | | | | | | |
| | | | | | | |
| | | | | | | |
| | | | | | | |
| | | | | | | |

| | | | | | |
|--|--|--|--|--|--|
| | | | | | |
|--|--|--|--|--|--|

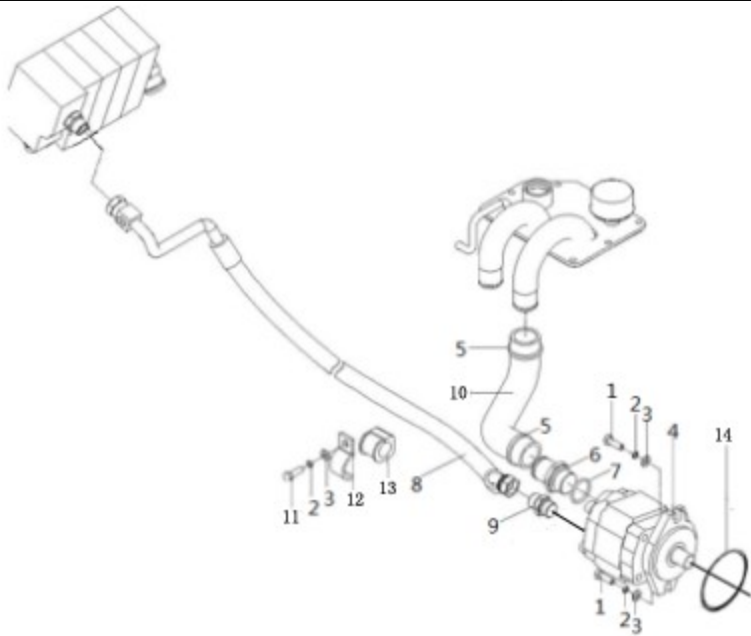
| | | | |
|----------------------------|-----------------|------------------|------------------|
| 图2 油泵总成 Fig.2 Pump assy | CPCD20/25-XRW43 | CPCD20/25-XRW43B | CPCD20/25-XRW43F |
|----------------------------|-----------------|------------------|------------------|

|  | 序号 Item | 物料码 Part No | 名称 Description | 数量 Qty | 备注或适用车型 Remarks or Serial No | 原物料码 Original Part No |
|---|------------|----------------|-------------------|-----------|---------------------------------|--------------------------|
| | 1 | 300030010001 | 垫圈10 | 3 | | G000093-000010-00 |
| | 2 | 300030040002 | 垫圈10 | 3 | | G0097P1-000010-00 |
| | 3 | 300010040012 | 螺栓M10×30 | 2 | | G005783-010030-01 |
| | 4 | 206100070067 | 齿轮泵 | 1 | | XF250-601100-000 |
| | 6 | 310050020269 | 管接头 | 1 | | XF250-611500-000 |
| | 7 | 300130010116 | O形密封圈34×3.5 | 1 | | G001235-003403P5-00 |
| | 8 | 310050020260 | 管接头 | 1 | | 30DHBW9-600001 |
| | 9 | 206300071148 | 吸油管 | 1 | | R250-600001-000 |
| | 10 | 209990000518 | 双钢丝式环箍44 | 2 | | Q672-44-G00 |
| | 11 | 300010040005 | 螺栓M10×20 | 1 | | G005783-010020-00 |
| | 12 | 310040010103 | 管夹 | 1 | | NC9321-600003-000 |
| | 13 | 206400050020 | 衬套 | 1 | | NC9321-600002-000 |

| | | | | | | |
|--|----|--------------|----------------|---|--|-------------------|
| | 14 | 206300250155 | 油管总成 | 1 | | XRB311-604000-000 |
| | 15 | 201100120028 | O形密封圈AS568-236 | 1 | | AS568-236-G00 |

| | | | | | |
|--------------------------------|------------------|-------------------|------------------|-------------------|--|
| 图3 油泵总成 Fig.3 Oil pump assy | CPCD20/25-XRW10 | CPCD20/25-XRW10B | CPCD20/25-XRW10F | CPC20/25-XRW10 | |
| | CPCD20/25-XRW33B | CPCD20/25-XRW33F | CPCD20/25-XRW56 | CPCD20/25-XRG56B | |
| | CPCD20/25-XRW56F | CPQD20/25-XRW22 | CPQD20/25-XRW22B | CPQYD20/25-XRW22 | |
| | CPCD20/25-XRW56F | CPQYD20/25-XRW22F | CPYD20/25-XRW52F | CPQYD20/25-XRW22B | |

| 序号 Item | 物料码 Part No | 名称 Description | 数量 Qty | 备注或适用车型 Remarks or Serial No | 原物料码 Original Part No |
|------------|----------------|-------------------|-----------|---------------------------------|--------------------------|
| | | | | | |
| 1 | 300010040012 | 螺栓M10×30 | 2 | | G005783-010030-01 |
| 2 | 300030010001 | 垫圈10 | 3 | | G000093-000010-00 |
| 3 | 300030040002 | 垫圈10 | 3 | | G0097P1-000010-00 |
| 4 | 206100070083 | 齿轮泵 | 1 | | XF251-601100-G00 |
| 4 | 206100070067 | 齿轮泵 | 1 | | XF250-601100-000 |
| 4 | 206100070067 | 齿轮泵 Gear pump | 1 | <2017.10.26 | XF250-601100-000 |
| 4 | 206100070064 | 齿轮泵 Gear pump | 1 | ≥2017.10.26 | N121-601300-000 |
| 5 | 209990000519 | 双钢丝式环箍45 | 2 | <2017.06.16 | Q672-45-G00 |
| 5 | 209990000518 | 双钢丝式环箍44 | 2 | ≥2017.06.16 | Q672-44-G00 |
| 6 | 310050020260 | 管接头 | 1 | | 30DHBW9-600001 |
| 7 | 300130010116 | O形密封圈34×3.5 | 1 | | G001235-003403P5-00 |



| | | | | | | |
|--|---|--------------|-----------------------|---|-------------|------------------|
| | 8 | 209990004525 | 油管总成 | 1 | | XR314-604000-000 |
| | 8 | 206300250073 | 油管总成 Oil pipe assy | 1 | <2017.10.26 | XB300-604000-000 |
| | 8 | 206300250074 | 油管总成 Oil pipe assy | 1 | <2017.10.26 | XB250-604000-000 |

| | | | | | |
|--------------------------------|------------------|-------------------|------------------|-------------------|--|
| 图3 油泵总成 Fig.3 Oil pump assy | CPCD20/25-XRW10 | CPCD20/25-XRW10B | CPCD20/25-XRW10F | CPC20/25-XRW10 | |
| | CPCD20/25-XRW33B | CPCD20/25-XRW33F | CPCD20/25-XRW56 | CPCD20/25-XRG56B | |
| | CPCD20/25-XRW56F | CPQD20/25-XRW22 | CPQD20/25-XRW22B | CPQYD20/25-XRW22 | |
| | CPCD20/25-XRW56F | CPQYD20/25-XRW22F | CPYD20/25-XRW52F | CPQYD20/25-XRW22B | |

| 序号 Item | 物料码 Part No | 名称 Description | 数量 Qty | 备注或适用车型 Remarks or Serial No | 原物料码 Original Part No |
|------------|----------------|-------------------|-----------|---------------------------------|--------------------------|
| | | | | | |
| 9 | 310050020269 | 管接头 | 1 | | XF250-611500-000 |
| 10 | 206300071339 | 吸油管 | 1 | | XR312-600001-001 |
| 10 | 206300071104 | 吸油管 | 1 | | NC9321-600001-000 |
| 10 | 206300071102 | 吸油管 | 1 | | NC847-600001-000 |
| 10 | 206300071102 | 吸油管 | 1 | | NC847-600001-000 |
| 11 | 300010040005 | 螺栓M10×20 | 1 | | G005783-010020-00 |
| 12 | 310040010103 | 管夹 | 1 | | NC9321-600003-000 |
| 13 | 206400050020 | 衬套 | 1 | | NC9321-600002-000 |
| 14 | 201100120028 | O形密封圈 AS568-236 | 1 | 除外/except | AS568-236-G00 |

| | | | | | | |
|--|----|--------------|-----------------|---|-------------|---------------|
| | 14 | 201100120028 | O形密封圈 AS568-236 | 1 | <2017.10.26 | AS568-236-G00 |
| | 14 | 209250060001 | 垫片 | | ≥2017.10.26 | 80DH-751001 |
| | | | | | | |
| | | | | | | |
| | | | | | | |

| | | | | |
|-------------------------------------|-------------------|------------------|------------------|------------------|
| 图4 转向管路 Fig. 4 Steering oil pipe | CPQD20/25-XRW22 | CPQD20/25-XRW22B | CPQYD20/25-XRW22 | CPQD20/25-XRW22F |
| | CPQYD20/25-XRW22F | CPYD20/25-XRW52F | | |

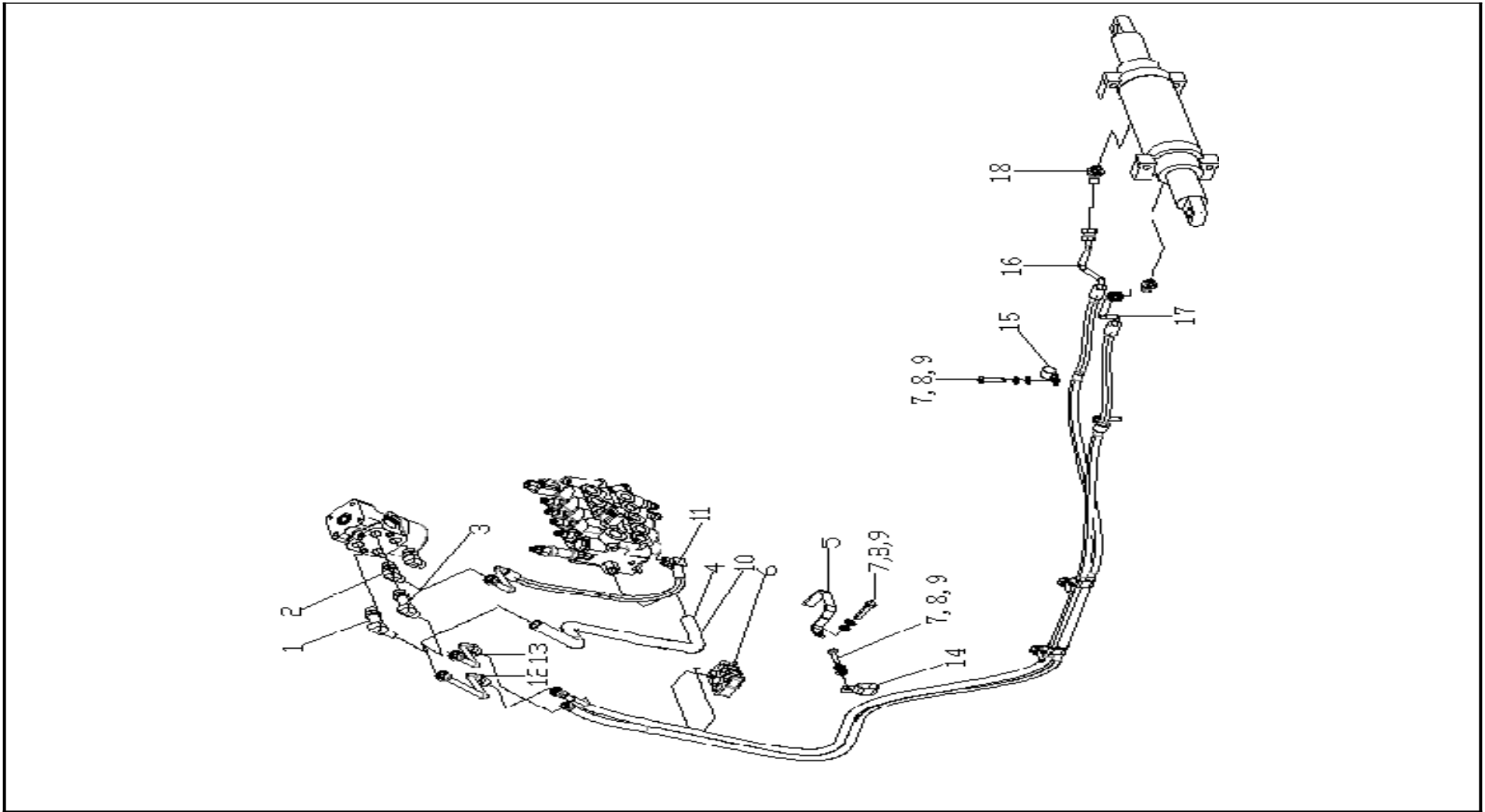
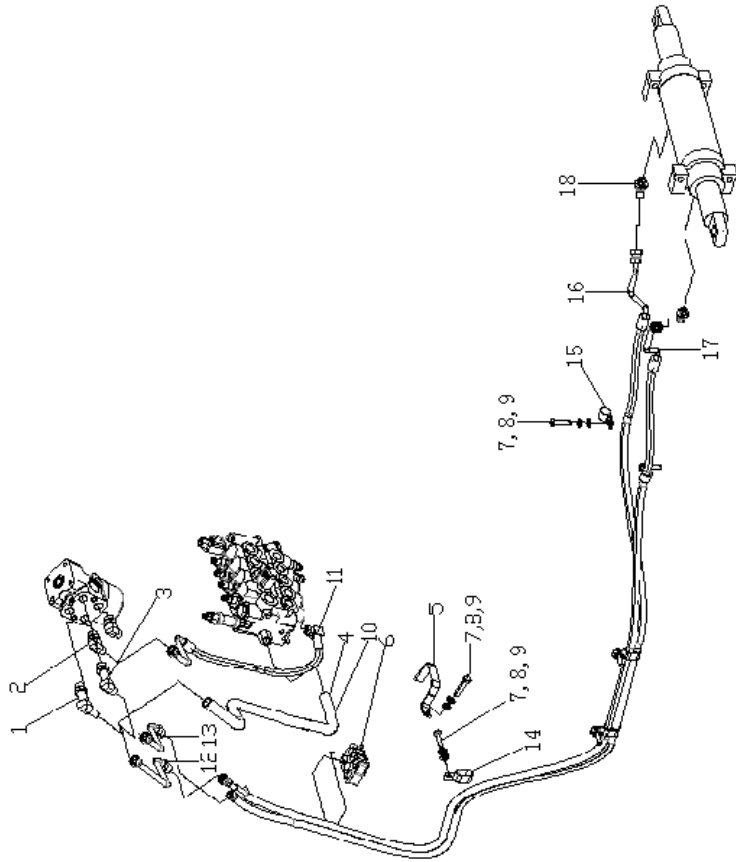


图4 转向管路
Fig. 4 Steering oil pipe

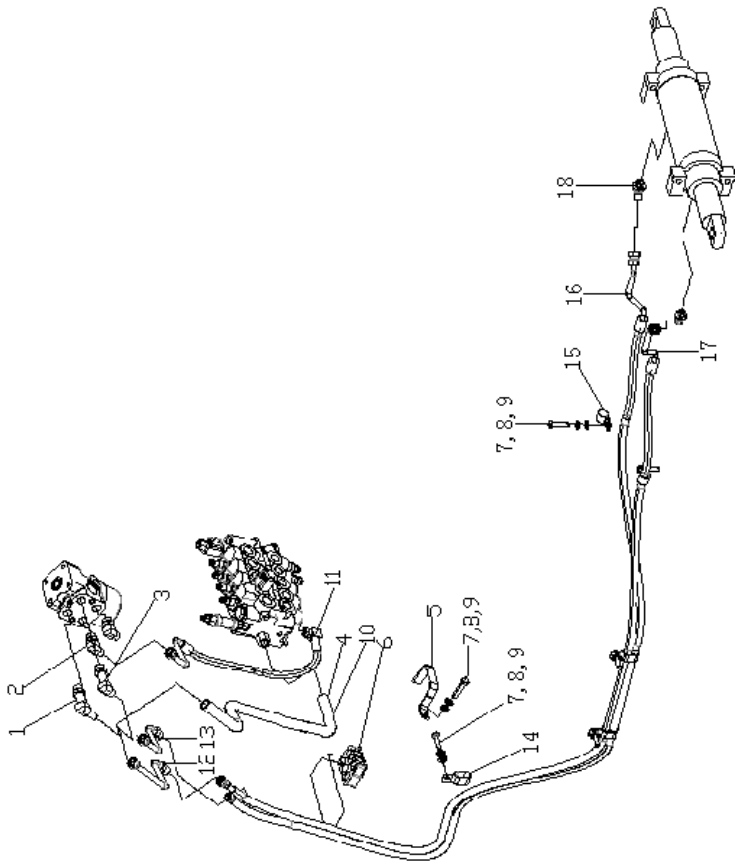
CPQD20/25-XRW22 CPQD20/25-XRW22B CPQYD20/25-XRW22 CPQD20/25-XRW22F
CPQYD20/25-XRW22F CPYD20/25-XRW52F



| 序号 Item | 物料码 Part No | 名称 Description | 数量 Qty | 备注或适用车型 Remarks or Serial No | 原物料码 Original Part No |
|------------|----------------|-------------------|-----------|---------------------------------|--------------------------|
| 1 | 206300220125 | 回油接头 | 1 | | XR310-630700-000 |
| 2 | 310050030014 | 90°度管接头 | 2 | | 20RH-600300-000 |
| 3 | 310050030043 | 90°度管接头 | 1 | | XR310-630600-000 |
| 4 | 209990000835 | 蜗杆传动式软管环箍18 | 2 | | Q675-18-G00 |
| 5 | 206500250166 | 压板 | 1 | | XR310-630002-000 |
| 6 | 206300050033 | 橡胶固定块 | 1 | | X700-630005-000 |
| 7 | 300030010015 | 垫圈8 | 6 | | G000093-000008-00 |
| 8 | 300030040014 | 垫圈8 | 6 | | G0097P1-000008-00 |
| 9 | 300010040169 | 螺栓M8×16 | 6 | | G005783-008016-00 |
| 10 | 206300070764 | 低压胶管 | 1 | | XR310-630003-000 |
| 11 | 206300082298 | 胶管总成 | 1 | | XR310-630500-000 |
| 12 | 206500140022 | 硬管总成 | 1 | | XR310-630100-001 |
| 13 | 206500140023 | 硬管总成 | 1 | | XR310-630200-001 |
| 14 | 310060020011 | 抱箍 | 3 | | GR501-630001-000 |
| 15 | 310040010114 | 管夹 | 2 | | MB254-600005-000 |

图4 转向管路
Fig. 4 Steering oil pipe

CPQD20/25-XRW22 CPQD20/25-XRW22B CPQYD20/25-XRW22 CPQD20/25-XRW22F
CPQYD20/25-XRW22F CPYD20/25-XRW52F



| 序号 Item | 物料码 Part No | 名称 Description | 数量 Qty | 备注或适用车型 Remarks or Serial No | 原物料码 Original Part No |
|------------|----------------|-------------------|-----------|---------------------------------|--------------------------|
| 16 | 206300082380 | 转向胶管总成 | 1 | | XR260-630400-001 |
| 17 | 206300082381 | 转向胶管总成 | 1 | | XR260-630300-001 |
| 18 | 310050060017 | 管接头 | 2 | | XF250-630900-000 |
| | | | | | |
| | | | | | |
| | | | | | |
| | | | | | |
| | | | | | |
| | | | | | |
| | | | | | |
| | | | | | |

| | | | | | | |
|--|--|--|--|--|--|--|
| | | | | | | |
|--|--|--|--|--|--|--|

| | |
|-------------------------------------|--------------------------------------|
| 图5 转向管路 Fig. 5 Steering oil pipe | 除外/Except 全部车型All models of truck |
|-------------------------------------|--------------------------------------|

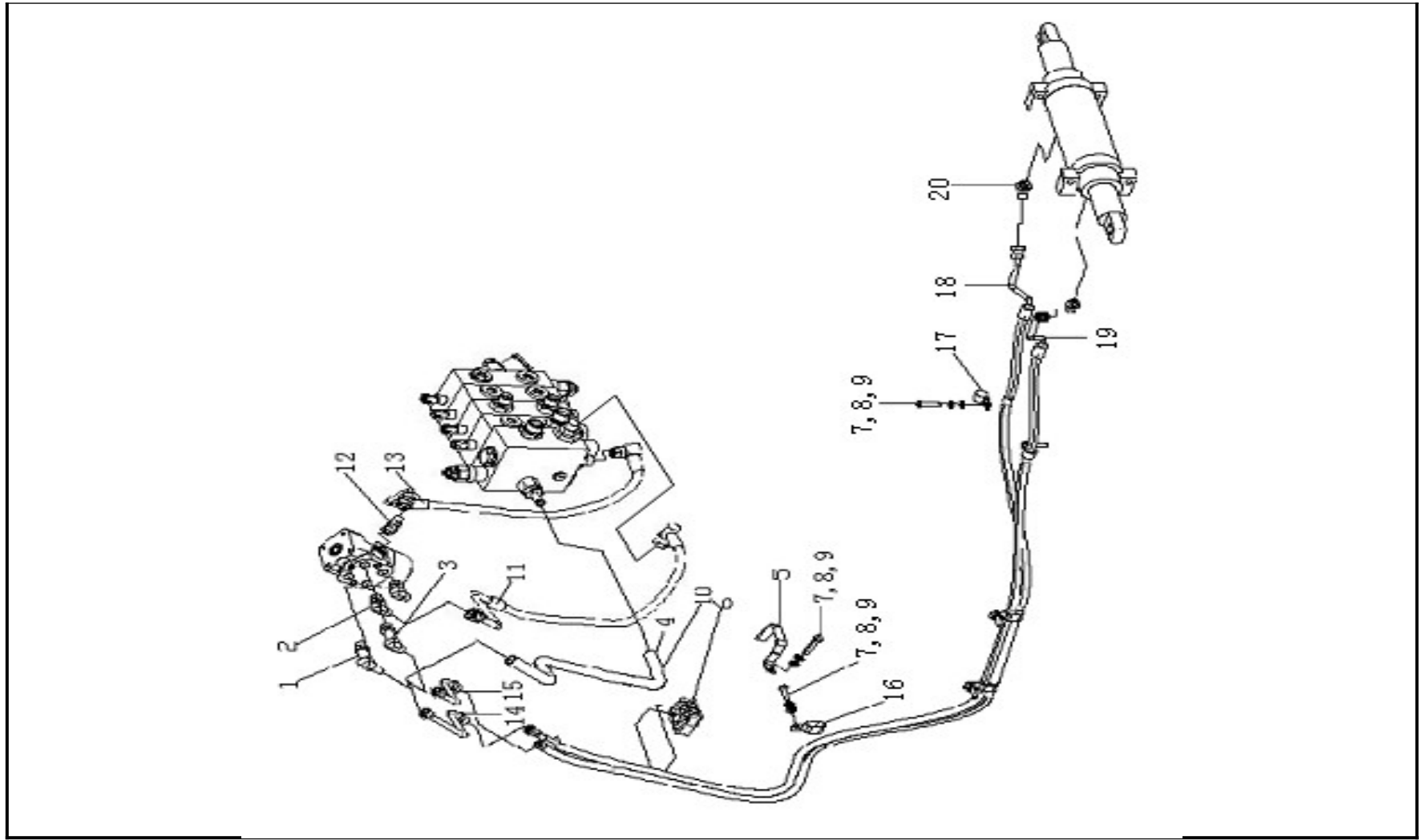


图5 转向管路
Fig. 5 Steering oil pipe

除外/Except
全部车型All models of truck

| 序号 Item | 物料码 Part No | 名称 Description | 数量 Qty | 备注或适用车型 Remarks or Serial No | 原物料码 Original Part No |
|------------|----------------|-------------------|-----------|---------------------------------|--------------------------|
| 1 | 206300220125 | 回油接头 | 1 | | XR310-630700-000 |
| 2 | 310050030014 | 90°管接头 | 2 | | 20RH-600300-000 |
| 3 | 310050030043 | 90°管接头 | 1 | | XR310-630600-000 |
| 4 | 209990000835 | 蜗杆传动式软管环箍18 | 2 | | Q675-18-G00 |
| 5 | 206500250166 | 压板 | 1 | | XR310-630002-000 |
| 6 | 206300050033 | 橡胶固定块 | 1 | | X700-630005-000 |
| 7 | 300030010015 | 垫圈8 | 6 | | G000093-000008-00 |
| 8 | 300030040014 | 垫圈8 | 6 | | G0097P1-000008-00 |
| 9 | 300010040169 | 螺栓M8×16 | 6 | | G005783-008016-00 |
| 10 | 206300070764 | 低压胶管 | 1 | | XR310-630003-000 |
| 11 | 206300082298 | 胶管总成 | 1 | | XR310-630500-000 |
| 12 | 310050030017 | 90°管接头 | 1 | | XF250-630500-000 |
| 13 | 206300082567 | 胶管总成 | 1 | | XRF310-630800-000 |
| 14 | 206500140022 | 硬管总成 | 1 | | XR310-630100-001 |
| 15 | 206500140023 | 硬管总成 | 1 | | XR310-630200-001 |

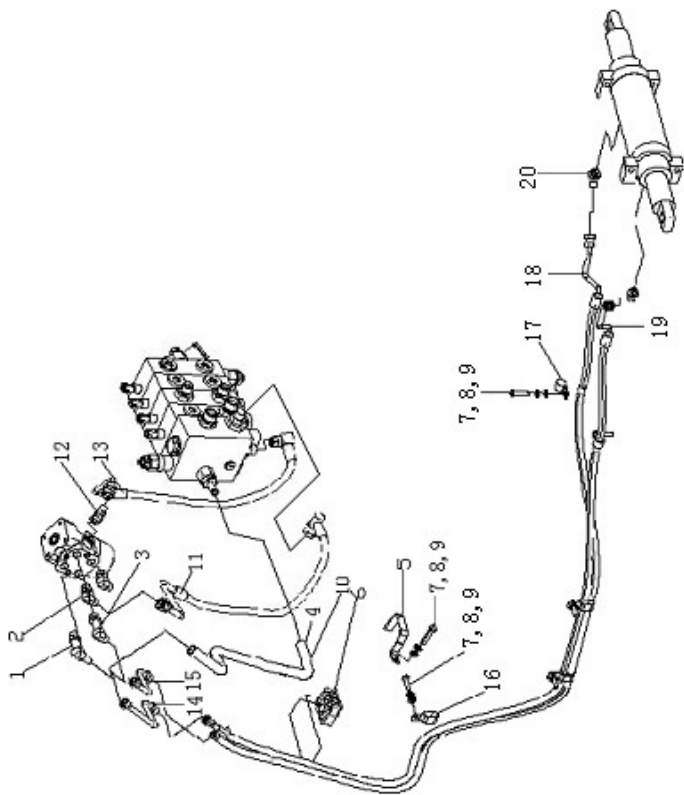
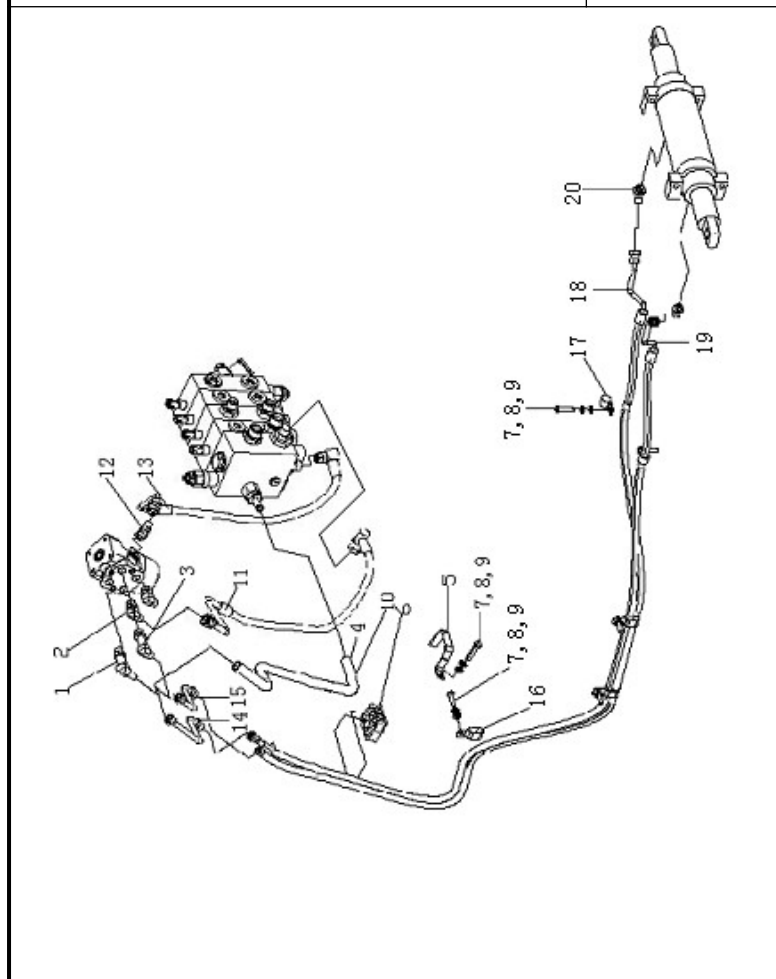


图5 转向管路
Fig. 5 Steering oil pipe

除外/Except
全部车型All models of truck



| 序号 Item | 物料码 Part No | 名称 Description | 数量 Qty | 备注或适用车型 Remarks or Serial No | 原物料码 Original Part No |
|------------|----------------|-------------------|-----------|---------------------------------|--------------------------|
| 16 | 310060020011 | 抱箍 | 3 | | GR501-630001-000 |
| 17 | 310040010114 | 管夹 | 2 | | MB254-600005-000 |
| 18 | 206300082380 | 转向胶管总成 | 1 | | XR260-630400-001 |
| 19 | 206300082381 | 转向胶管总成 | 1 | | XR260-630300-001 |
| 20 | 310050060017 | 管接头 | 2 | | XF250-630900-000 |
| | | | | | |
| | | | | | |
| | | | | | |
| | | | | | |
| | | | | | |
| | | | | | |
| | | | | | |
| | | | | | |

| | | | | | |
|--|--|--|--|--|--|
| | | | | | |
|--|--|--|--|--|--|

| 图6 回油滤油总成 Fig.6 Strainer assy | | 全部车型 All model of truck | | | | |
|----------------------------------|------------|----------------------------|-------------------|-----------|---------------------------------|--------------------------|
| | 序号 Item | 物料码 Part No | 名称 Description | 数量 Qty | 备注或适用车型 Remarks or Serial No | 原物料码 Original Part No |
| | 1 | 209990000518 | 双钢丝式环箍44 | 2 | | Q672-44-G00 |
| | 2 | 206300070935 | 回油管 | 1 | 用于二联阀 | XR310-602001-000 |
| | 2 | 206300070936 | 回油管 | 1 | 用于三联阀 | XR310-602002-000 |
| | 2 | 206300070937 | 回油管 | 1 | 用于四联阀 | XR310-602003-000 |
| | 3 | 310040010092 | 管夹 | 1 | | XF250-602002-000 |
| | 4 | 300010040169 | 螺栓M8×16 | 1 | | G005783-008016-00 |
| | 5 | 300030010015 | 垫圈8 | 1 | | G000093-000008-00 |
| | 6 | 300030040014 | 垫圈8 | 1 | | G0097P1-000008-00 |
| | | | | | | |

| | | | | | |
|--|--|--|--|--|--|
| | | | | | |
| | | | | | |

| 图7 液压油箱附件 Fig. 7 Hydraulic tank accessory | 全部车型 All model of truck | | | | | |
|--|----------------------------|----------------|-------------------|-----------|---------------------------------|--------------------------|
| | 序号 Item | 物料码 Part No | 名称 Description | 数量 Qty | 备注或适用车型 Remarks or Serial No | 原物料码 Original Part No |
| | 1 | 206500050066 | 液压油箱盖总成 | 1 | | A300-603300-001 |
| | 2 | 206500110011 | 空气过滤器 | 1 | | A300-603200-000 |
| | 3 | 300010040170 | 螺栓M8×16 | 8 | | G005783-008016-01 |
| | 4 | 300030140012 | 垫圈8 | 8 | | J000982-000008-00 |
| | 5 | 206500050201 | 盖板 | 1 | 206500040158 | |
| | 6 | 206500130085 | 密封垫 | 1 | | XR310-603001-000 |
| | 7 | 206500020061 | 吸油滤油器总成 | 1 | | A300-603010-000 |
| | 8 | 206500020073 | 回油滤油器总成 | 1 | | MB250-603130-000 |
| | 9 | 203400040002 | 螺塞 | 1 | | N163-340008-000 |
| | 10 | 300030140007 | 垫圈 24 | 1 | | J000982-000024-00 |
| 11 | 203400020001 | 磁铁 | 1 | | N163-340002-000 | |
| | | | | | | |

| | | | | | |
|--|--|--|--|--|--|
| | | | | | |
| | | | | | |
| | | | | | |

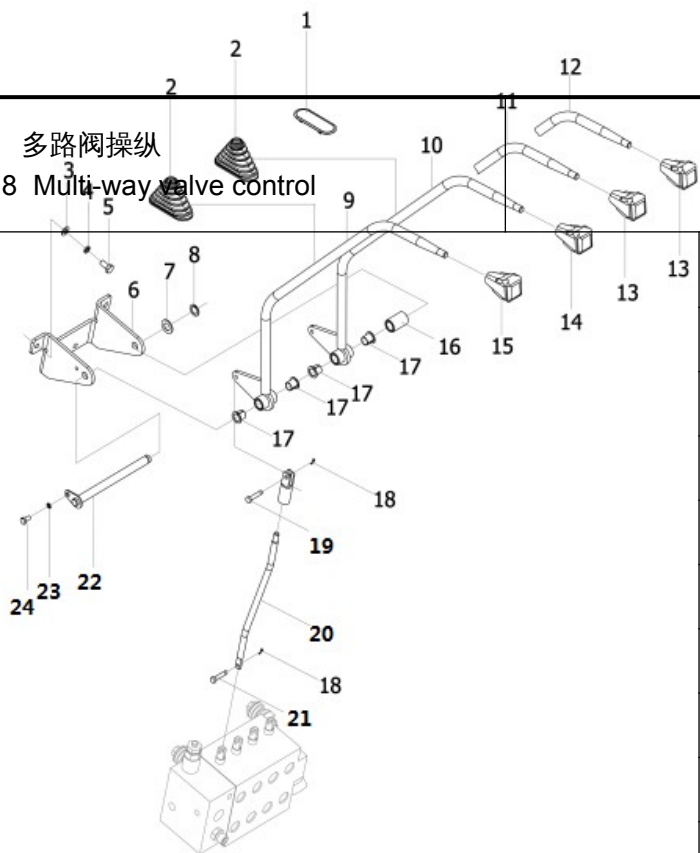
| 图8 多路阀操纵 Fig. 8 Multi-way valve control | 全部车型 All model of truck | | | | | |
|--|----------------------------|----------------|-------------------|-----------|---------------------------------|--------------------------|
| | 序号 Item | 物料码 Part No | 名称 Description | 数量 Qty | 备注或适用车型 Remarks or Serial No | 原物料码 Original Part No |
| | 1 | 206400140009 | 塞子 | 3 | Qty :3 SEC 2, | XR310-610004-000 |
| | 2 | 206400090012 | 护套 | 2 | Qty :3 SEC 3, | XR310-610005-000 |
| | 3 | 300030040014 | 垫圈8 | 4 | | G0097P1-000008-00 |
| | 4 | 300030010015 | 垫圈8 | 4 | | G000093-000008-00 |
| | 5 | 300010040177 | 螺栓8×25 | 4 | | G005783-008025-00 |
| | 6 | 206400190017 | 支架 | 1 | | XF250-612001-000 |
| | 7 | 206100160005 | 调整垫 | 1 | 第四联阀用 | JS160-610010-000 |
| | 8 | 300060030004 | 挡圈12 | 1 | 仅四联阀用 | G0894P1-000012-00 |
| | 9 | 206400160165 | 多路阀手柄杆1 | 1 | | XR310-612200-002 |
| | 10 | 206400160167 | 多路阀手柄杆2 | 1 | | XR310-612300-002 |
| | 11 | 206400160168 | 多路阀手柄杆3 | 1 | 第三联阀用 | XR310-612400-002 |

| | | | | | |
|----|--------------|---------|---|-----------------------|------------------|
| 12 | 206400160166 | 多路阀手柄杆4 | 1 | 第四联阀用 | XR310-612500-002 |
| 13 | 206400040015 | 属具手把 | 1 | 3 Sec. valve 数量/Qty 1 | N163-610003-000 |
| 14 | 206400040013 | 倾斜手把 | 1 | | N163-610002-000 |
| 15 | 206400040011 | 起升手把 | 1 | | N163-610001-000 |

图8 多路阀操纵

Fig. 8 Multi-way valve control

全部车型
All model of truck



| 序号 Item | 物料码 Part No | 名称 Description | 数量 Qty | 备注或适用车型 Remarks or Serial No | 原物料码 Original Part No |
|------------|----------------|-------------------|-----------|---------------------------------|--------------------------|
| 16 | 206400200004 | 轴环 | 1 | 仅二联阀用 | N163-612002-000 |
| 17 | 206400050008 | 衬套 | 4 | 三联6,3 SEC 6 | N163-612001-000 |
| 18 | 300050010017 | 销2×16 | 6 | Qty :3 SEC 9, | G000091-002016-00 |
| 19 | 300050040012 | 销轴6×22 | 2 | 三联3,3 SEC 3, | G000882-006022-00 |
| 20 | 206400100247 | 连杆 | 2 | 3 Sec. valve 数量/Qty 3 | XR310-612600-000 |
| 21 | 206400240005 | 销轴 | 2 | Qty :3 SEC 3, | N163-610008-000 |
| 22 | 206400240004 | 销轴 | 1 | 仅四联阀用 | N163-612800-000 |
| 23 | 300030010014 | 垫圈6 | 1 | | G000093-000006-00 |
| 24 | 300010040146 | 螺栓M6×12 | 1 | | G005783-006012-01 |

| | | | | | |
|--|--|--|--|--|--|
| | | | | | |
| | | | | | |
| | | | | | |
| | | | | | |
| | | | | | |

| 图9 多路阀总成 Fig.9 Multi-way valve assy | 除外/except 全部车型All model of truck | | | | | |
|--|-------------------------------------|----------------|-------------------|-----------|---------------------------------|--------------------------|
| | 序号 Item | 物料码 Part No | 名称 Description | 数量 Qty | 备注或适用车型 Remarks or Serial No | 原物料码 Original Part No |
| | 1 | 300010050005 | 螺栓M10×1.25×40 | 3 | | G005785-010040-00 |
| | 2 | 300030040002 | 垫圈10 | 3 | | G0097P1-000010-00 |
| | 3 | 300030010001 | 垫圈10 | 3 | | G000093-000010-00 |
| | 4 | 206100040002 | 缓冲垫 | 6 | | R450-610001-000 |
| | 5 | 206400180037 | 套管 | 1 | | XR310-611001-000 |
| | 6 | 206300290259 | 管接头总成 | 1 | INC/包含:5,6 | A300-611400-000 |
| | 7 | 300130010092 | O形密封圈18×2.4 | 1 | | G001235-001802P4-00 |
| | 8 | 300130010077 | O形密封圈14×2.4 | 1 | | G001235-001402P4-00 |
| | 9 | 310050020271 | 管接头 | 1 | INC/包含:8,9 | XF250-611700-000 |

| | | | | | | |
|---|----|--------------|-------------|---|--------------|---------------------|
|  | 10 | 300130010134 | O形密封圈24×2.4 | 1 | | G001235-002402P4-00 |
| | 11 | 310050020269 | 管接头 | 1 | INC/包含:10,11 | XF250-611500-000 |
| | 12 | 300130010089 | O形密封圈22×2.4 | 1 | | G001235-002202P4-00 |
| | 13 | 310050020272 | 管接头 | 1 | INC/包含:12,13 | XF250-611800-000 |
| | 14 | 300130010089 | O形密封圈22×2.4 | 2 | | G001235-002202P4-00 |
| | 15 | 310050020273 | 管接头 | 2 | INC/包含:14,15 | XF250-611900-000 |

| | | | | | | |
|--|------------|-------------------------------------|-------------------|-----------|---------------------------------|--------------------------|
| 图9 多路阀总成 Fig.9 Multi-way valve assy | | 除外/except 全部车型All model of truck | | | | |
|  | 序号 Item | 物料码 Part No | 名称 Description | 数量 Qty | 备注或适用车型 Remarks or Serial No | 原物料码 Original Part No |
| | 16 | 206200010406 | 二联多路阀 | 1 | 1.8t-3.5t | XRF310-611102-W00 |
| | 17 | 206200010412 | 三联多路阀 | 1 | 1.8t-3.5t | XRF310-611202-W00 |
| | 18 | 206200010409 | 四联多路阀 | 1 | 1.8t-3.5t | XRF310-611302-W00 |
| | | | | | | |
| | | | | | | |
| | | | | | | |
| | | | | | | |

| | | | | | |
|--|--|--|--|--|--|
| | | | | | |
| | | | | | |
| | | | | | |
| | | | | | |
| | | | | | |
| | | | | | |
| | | | | | |

| 图10 多路阀总成 Fig.10 Multi-way valve assy | CPQD20/25-XRW22 CPQD20/25-XRW22B CPQYD20/25-XRW22 CPQD20/25-XRW22F CPQYD20/25-XRW22F CPYD20/25-XRW52F CPQYD20/25-XRW22B | | | | | | | | | | | | | | | | | | | | | | | | | | | | | | | | | | | | | | | | | | | | | | | | | |
|--|--|-------------------|----------------|---------------------------------|--------------------------|---------------------------------|--------------------------|---|--------------|---------------|---|--|-------------------|---|--------------|------|---|--|-------------------|---|--------------|------|---|--|-------------------|---|--------------|-----|---|--|-----------------|---|--------------|----|---|--|------------------|---|--------------|-------|---|------------|-----------------|---|--------------|-------------|---|--|---------------------|--|
| | <table border="1"> <thead> <tr> <th>序号 Item</th> <th>物料码 Part No</th> <th>名称 Description</th> <th>数量 Qty</th> <th>备注或适用车型 Remarks or Serial No</th> <th>原物料码 Original Part No</th> </tr> </thead> <tbody> <tr> <td>1</td> <td>300010050005</td> <td>螺栓M10×1.25×40</td> <td>3</td> <td></td> <td>G005785-010040-00</td> </tr> <tr> <td>2</td> <td>300030040002</td> <td>垫圈10</td> <td>3</td> <td></td> <td>G0097P1-000010-00</td> </tr> <tr> <td>3</td> <td>300030010001</td> <td>垫圈10</td> <td>3</td> <td></td> <td>G000093-000010-00</td> </tr> <tr> <td>4</td> <td>206100040002</td> <td>缓冲垫</td> <td>6</td> <td></td> <td>R450-610001-000</td> </tr> <tr> <td>5</td> <td>206400180037</td> <td>套管</td> <td>1</td> <td></td> <td>XR310-611001-000</td> </tr> <tr> <td>6</td> <td>206300290259</td> <td>管接头总成</td> <td>1</td> <td>INC/包含:5,6</td> <td>A300-611400-000</td> </tr> <tr> <td>7</td> <td>300130010092</td> <td>O形密封圈18×2.4</td> <td>1</td> <td></td> <td>G001235-001802P4-00</td> </tr> </tbody> </table> | 序号 Item | 物料码 Part No | 名称 Description | 数量 Qty | 备注或适用车型 Remarks or Serial No | 原物料码 Original Part No | 1 | 300010050005 | 螺栓M10×1.25×40 | 3 | | G005785-010040-00 | 2 | 300030040002 | 垫圈10 | 3 | | G0097P1-000010-00 | 3 | 300030010001 | 垫圈10 | 3 | | G000093-000010-00 | 4 | 206100040002 | 缓冲垫 | 6 | | R450-610001-000 | 5 | 206400180037 | 套管 | 1 | | XR310-611001-000 | 6 | 206300290259 | 管接头总成 | 1 | INC/包含:5,6 | A300-611400-000 | 7 | 300130010092 | O形密封圈18×2.4 | 1 | | G001235-001802P4-00 | |
| 序号 Item | 物料码 Part No | 名称 Description | 数量 Qty | 备注或适用车型 Remarks or Serial No | 原物料码 Original Part No | | | | | | | | | | | | | | | | | | | | | | | | | | | | | | | | | | | | | | | | | | | | | |
| 1 | 300010050005 | 螺栓M10×1.25×40 | 3 | | G005785-010040-00 | | | | | | | | | | | | | | | | | | | | | | | | | | | | | | | | | | | | | | | | | | | | | |
| 2 | 300030040002 | 垫圈10 | 3 | | G0097P1-000010-00 | | | | | | | | | | | | | | | | | | | | | | | | | | | | | | | | | | | | | | | | | | | | | |
| 3 | 300030010001 | 垫圈10 | 3 | | G000093-000010-00 | | | | | | | | | | | | | | | | | | | | | | | | | | | | | | | | | | | | | | | | | | | | | |
| 4 | 206100040002 | 缓冲垫 | 6 | | R450-610001-000 | | | | | | | | | | | | | | | | | | | | | | | | | | | | | | | | | | | | | | | | | | | | | |
| 5 | 206400180037 | 套管 | 1 | | XR310-611001-000 | | | | | | | | | | | | | | | | | | | | | | | | | | | | | | | | | | | | | | | | | | | | | |
| 6 | 206300290259 | 管接头总成 | 1 | INC/包含:5,6 | A300-611400-000 | | | | | | | | | | | | | | | | | | | | | | | | | | | | | | | | | | | | | | | | | | | | | |
| 7 | 300130010092 | O形密封圈18×2.4 | 1 | | G001235-001802P4-00 | | | | | | | | | | | | | | | | | | | | | | | | | | | | | | | | | | | | | | | | | | | | | |

| | | | | | | | |
|--|----|--------------|-------------|---|--------------|---------------------|--|
| | 8 | 300130010134 | O形密封圈24×2.4 | 1 | | G001235-002402P4-00 | |
| | 9 | 310050020269 | 管接头 | 1 | INC/包含:8,9 | XF250-611500-000 | |
| | 10 | 300130010089 | O形密封圈22×2.4 | 1 | | G001235-002202P4-00 | |
| | 11 | 310050020272 | 管接头 | 1 | INC/包含:10,11 | XF250-611800-000 | |
| | 12 | 300130010089 | O形密封圈22×2.4 | 2 | | G001235-002202P4-00 | |
| | 13 | 310050020273 | 管接头 | 2 | INC/包含:12,13 | XF250-611900-000 | |
| | 14 | 206200010227 | 二联多路阀 | 1 | | N163-611100-002 | |
| | 15 | 206200010245 | 三联多路阀 | 1 | | N163-611200-002 | |
| | | | | | | | |
| | | | | | | | |
| | | | | | | | |
| | | | | | | | |
| | | | | | | | |
| | | | | | | | |

| | | | | | | |
|--|-------------------|------------------|--------------------------|------------------|---------------------------------|--------------------------|
| <p>图10 多路阀总成 Fig.10 Multi-way valve assy</p> | CPQD20/25-XRW22 | CPQD20/25-XRW22B | CPQYD20/25-XRW22 | CPQD20/25-XRW22F | | |
| | CPQYD20/25-XRW22F | CPYD20/25-XRW52F | CPQYD20/25-XRW22B | | | |
| | 序号 Item | 物料码 Part No | 名称 Description | 数量 Qty | 备注或适用车型 Remarks or Serial No | 原物料码 Original Part No |
| | 16 | 206200010249 | 四联多路阀 | 1 | | N163-611300-002 |
| | | | | | | |
| | | | | | | |
| | | | | | | |
| | | | | | | |
| | | | | | | |

| | | | | | |
|--|--|--|--|--|--|
| | | | | | |
| | | | | | |
| | | | | | |
| | | | | | |
| | | | | | |
| | | | | | |
| | | | | | |
| | | | | | |
| | | | | | |
| | | | | | |

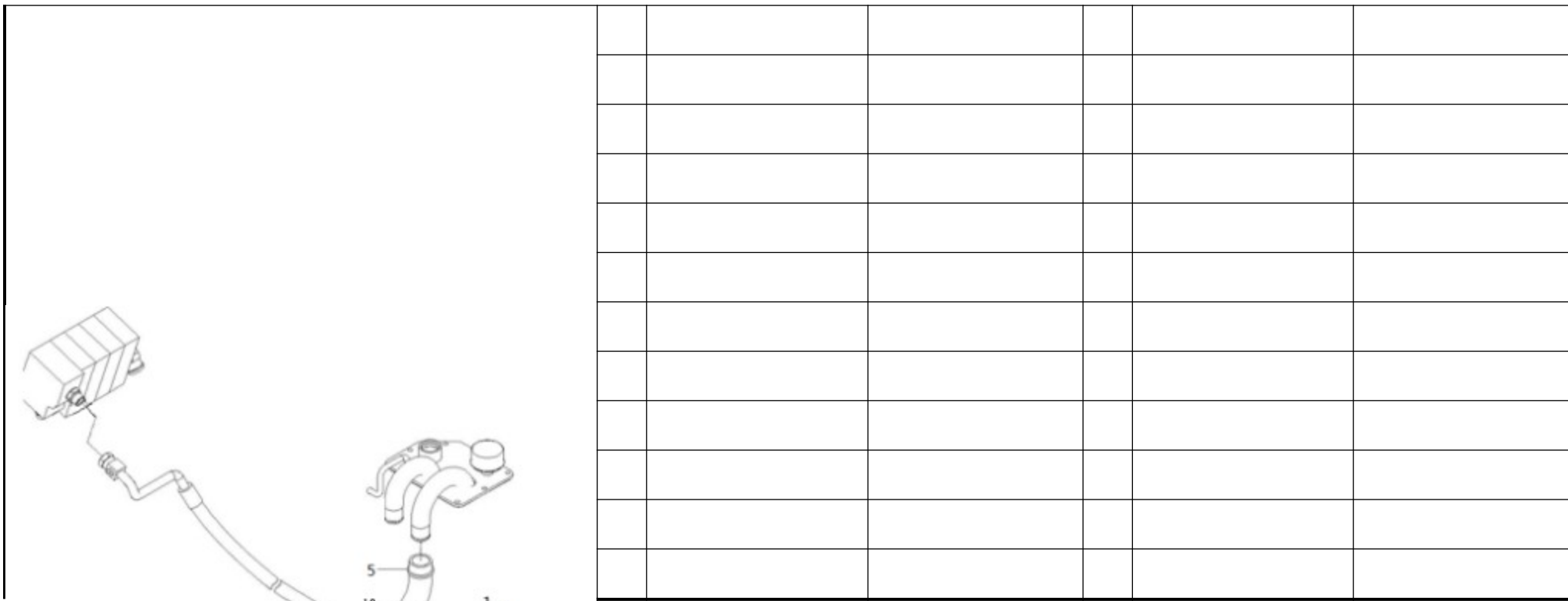
| | | | | | | |
|-------------------------------------|-----------------------------|----------------|-------------------|-----------|---------------------------------|--------------------------|
| 图11 倾斜管路 Fig.11 Tilting oil pipe | 全部车型 All models of truck | | | | | |
| | 序号 Item | 物料码 Part No | 名称 Description | 数量 Qty | 备注或适用车型 Remarks or Serial No | 原物料码 Original Part No |
| | A1 | 206300290013 | 90°管接头 | 4 | 包含/INC:1-4 | N163-620800-000 |
| | 1 | 319990010162 | 接头体 | 4 | | N163-620801-W00 |
| | 2 | 206300130005 | 锁紧螺母 | 4 | | N163-620802-W00 |
| | 3 | 206300010007 | 挡圈 | 4 | | N163-620803-W00 |
| | 4 | 206300020007 | O形密封圈P11 | 4 | | JISB2401-P11-G00 |

| | | | | | | |
|--|----|--------------|---------|---|--|-------------------|
| | 5 | 206300082292 | 胶管总成 | 2 | | XR310-620300-000 |
| | 6 | 206300082293 | 胶管总成 | 2 | | XR310-620400-000 |
| | 7 | 206300050004 | 固定块 | 1 | | N163-620002-000 |
| | 8 | 206400220022 | 压板 | 1 | | N163-620001-000 |
| | 9 | 300030040014 | 垫圈8 | 2 | | G0097P1-000008-00 |
| | 10 | 300030010015 | 垫圈8 | 2 | | G000093-000008-00 |
| | 11 | 300010040169 | 螺栓M8×16 | 2 | | G005783-008016-00 |
| | 12 | 206300100103 | 倾斜油管 | 1 | | XR310-620100-000 |
| | 13 | 206300100102 | 倾斜油管 | 1 | | XR310-620200-000 |
| | | | | | | |

| | | | | | | |
|----------------------------------|------------|-----------------|-------------------|-----------|---------------------------------|--------------------------|
| 图12 油泵总成 Fig.12 Oil pump assy | | CPCD20/25-XRW73 | | | | |
| | 序号 Item | 物料码 Part No | 名称 Description | 数量 Qty | 备注或适用车型 Remarks or Serial No | 原物料码 Original Part No |
| | 1 | 300010040011 | 螺栓M10×30 | 2 | | G005783-010030-00 |
| | 2 | 300030010001 | 垫圈10 | 2 | | G000093-000010-00 |
| | 3 | 300030040002 | 垫圈10 | 2 | | G0097P1-000010-00 |
| | 4 | 206100070061 | 齿轮泵 | 1 | | N152-601100-000 |

| | | | | | | |
|--|----|--------------|----------|---|-----------|-------------------|
| | 5 | 209990000518 | 双钢丝式环箍44 | 2 | | Q672-44-G00 |
| | A1 | 310050020322 | 管接头 | 1 | INC:6 , 7 | XR312-601200-000 |
| | 6 | 310050020739 | 接头体 | 1 | | XR312-601201-000 |
| | 7 | 206300020009 | O形密封圈P18 | 1 | | JISB2401-P18-G00 |
| | A2 | 310050020293 | 管接头 | 1 | INC:8 , 9 | XF3012-601100-000 |
| | 8 | 206300020011 | O形密封圈P29 | 1 | | JISB2401-P29-G00 |
| | 9 | 310050020723 | 接头体 | 1 | | XF3012-601101-000 |
| | 10 | 206300071121 | 吸油管 | 1 | | R932-600001-001 |
| | 11 | 300010040005 | 螺栓M10×20 | 1 | | G005783-010020-00 |
| | 12 | 310040010103 | 管夹 | 1 | | NC9321-600003-000 |
| | 13 | 206400050020 | 衬套 | 1 | | NC9321-600002-000 |

| | | | | | | |
|----------------------------------|------------|-----------------|-------------------|-----------|---------------------------------|--------------------------|
| 图12 油泵总成 Fig.12 Oil pump assy | | CPCD20/25-XRW73 | | | | |
| | 序号 Item | 物料码 Part No | 名称 Description | 数量 Qty | 备注或适用车型 Remarks or Serial No | 原物料码 Original Part No |
| | 14 | 206300250072 | 油管总成 | 1 | | XF250-604000-000 |
| | 15 | 300030010015 | 垫圈8 | 1 | | G000093-000008-00 |
| | 16 | 300030040014 | 垫圈8 | 1 | | G0097P1-000008-00 |



| 图13 油泵总成 Fig.13 Oil pump assy | | CPCD20/25-XRW55B | CPCD20/25-XRW55F | CPC20/25-XRW55 | | | | | | | | | | | | | | | | | | |
|----------------------------------|---|-------------------|------------------|---------------------------------|--------------------------|---------------------------------|--------------------------|---|--------------|----------|---|--|-------------------|---|--------------|------|---|--|-------------------|--|--|--|
| | <table border="1"> <thead> <tr> <th>序号 Item</th> <th>物料码 Part No</th> <th>名称 Description</th> <th>数量 Qty</th> <th>备注或适用车型 Remarks or Serial No</th> <th>原物料码 Original Part No</th> </tr> </thead> <tbody> <tr> <td>1</td> <td>300010040012</td> <td>螺栓M10×30</td> <td>2</td> <td></td> <td>G005783-010030-01</td> </tr> <tr> <td>2</td> <td>300030010001</td> <td>垫圈10</td> <td>2</td> <td></td> <td>G000093-000010-00</td> </tr> </tbody> </table> | 序号 Item | 物料码 Part No | 名称 Description | 数量 Qty | 备注或适用车型 Remarks or Serial No | 原物料码 Original Part No | 1 | 300010040012 | 螺栓M10×30 | 2 | | G005783-010030-01 | 2 | 300030010001 | 垫圈10 | 2 | | G000093-000010-00 | | | |
| 序号 Item | 物料码 Part No | 名称 Description | 数量 Qty | 备注或适用车型 Remarks or Serial No | 原物料码 Original Part No | | | | | | | | | | | | | | | | | |
| 1 | 300010040012 | 螺栓M10×30 | 2 | | G005783-010030-01 | | | | | | | | | | | | | | | | | |
| 2 | 300030010001 | 垫圈10 | 2 | | G000093-000010-00 | | | | | | | | | | | | | | | | | |

| | | | | | | |
|--|----|--------------|-------------|---|------------|---------------------|
| | 3 | 300030040002 | 垫圈10 | 2 | | G0097P1-000010-00 |
| | 4 | 206100070170 | 齿轮泵 | 1 | | R305-601100-000 |
| | 5 | 209990000518 | 双钢丝式环箍44 | 2 | | Q672-44-G00 |
| | A1 | 310050020269 | 管接头 | | INC/包含:6,7 | XF250-611500-000 |
| | 6 | 310050020708 | 接头体 | 1 | | XF250-611501-000 |
| | 7 | 300130010134 | O形密封圈24×2.4 | 1 | | G001235-002402P4-00 |
| | 8 | 206300250148 | 油管总成 | 1 | | XRF3110-604000-000 |
| | 9 | 206300290202 | 管接头 | 1 | | R305-601200-000 |
| | 10 | 206300071345 | 吸油管 | 1 | | XRF3110-600001-000 |
| | 11 | 300010040005 | 螺栓M10×20 | 1 | | G005783-010020-00 |
| | 12 | 300030010001 | 垫圈10 | 1 | | G000093-000010-00 |
| | 13 | 300030040002 | 垫圈10 | 1 | | G0097P1-000010-00 |
| | 14 | 310040010103 | 管夹 | 1 | | NC9321-600003-000 |

| | | | | | | | |
|----------------------------------|------------------|----------------|-------------------|-----------|---------------------------------|--------------------------|--|
| 图13 油泵总成 Fig.13 Oil pump assy | CPCD20/25-XRW55B | | CPCD20/25-XRW55F | | CPC20/25-XRW55 | | |
| | 序号 Item | 物料码 Part No | 名称 Description | 数量 Qty | 备注或适用车型 Remarks or Serial No | 原物料码 Original Part No | |
| | 15 | 206400050020 | 衬套 | 1 | | NC9321-600002-000 | |

