

PREFACE

1. This parts catalog is the 1st edition of 4TNE98-BQFLC for General Ltd.

Pub.No. : 000Y00W2770

Published : December, 2007

2. Model name

Engine model	Vehicle	Vehicle made by
	Products	
4TNE98-BQFLC	Forklift	General Ltd.

How to read this Parts Catalog.

1. Parts mentioned in Parts Catalog may not necessarily be standard equipping parts
2. Parts change may be made without prior notice.
3. Form of this Parts Catalog.

Y00F2161 29. FUEL INJECTION PUMP (W/BOOST)											
REF.	LEV.	PARTS No.	DESCRIPTION	QTY						I	R
				(A)	(B)	(C)	(D)	(E)	(F)		
1		729595-51390	FUEL INJECTION PUMP	1	1	1	1	1			
1-1		729595-51391	FUEL INJECTION PUMP	1	1	1	1	1		N	1
		(A=E00185) (B=E00200)									
3		26022-060162	SCREW M 6X16	9	9	9	9	9			
I 3-1		26022-060162	SCREW M 6X16	4	4	4	4	4			K
		(A=E00156) (B=E00156) (C=E00156) (D=E00156) (E=E00156)									
4		129470-51040	CAMSHFT	9	9	9	9	9			
5		122710-51050	BEARING. ROLLER	9	9	9	9	9			
6		129470-51060	RETAINER	9	9	9	9	9			

Remarks

(1) BOOST COMPEMSATOR TYPE. OPTIONAL PART. TO E#00155 (4JH-DT, 4JH-DTZ)

①Ref. No,

The Ref. No, in the list may not be in accordance with the Ref. No, on illustration.

(Ex.) illustration No, List heed No,
 1 1 (Before change) → 1-1 (After change)

When interchangeable symbol N, and k, illustrations for the new parts are sometimes omitted.

②Lev. (Level)

Indication and Meaning of Level

Level Hereunder is given the relation among the number (1,2,3) the level and the nominal parent-child relationship.

1 ---- Parent parts (Assembly parts)

2 ---- Child parts included in " 1 " (Semi-Assembly parts, component parts of Assembly parts.)

3 ---- Child parts included in " 2 ", Grand-child parts in terms of " 1 ".

(Component parts of Semi-Assembly parts.)

Note) A parts of non-sale parts are illustrated but not listed.

③Change Mark

Change Mark " I " is given to the part for which a design change was made at this time.

The design change was not shown in the last published Parts Catalog.

④Interchangeability Mark

In the case where a part change took place, one of the following interchangeability marks is indicated for that part

Symbol	Interchangeability	Contents note
N	Old ← → New	New Part is interchangeable for Old Part but not interchangeable conversely.
Q	Old ← → New	New Part is not interchangeable for Old Part but interchangeable conversely.
R	Old ← → New	New Part is interchangeable for Old Part and vice versa.
S	Old ← → New	New Part is not interchangeable for Old Part and vice versa.
W		Part newly added.
Z		Part discontinued.
F		Not interchangeable single part but interchangeable by set of the related parts.
K		Changed only in quantity used.

⑤Effective Machine No,

When a part is changed, Effective Machine No, of a Model for which the part is applicable is indication

In each column of (A)-(F).

Product Symbol	Product No,	Product Symbol	Product No,
C	Clutch No, Compressor No,	M	Machine No,
D	Drive No,	T	Tractor No,
E	Engine No,	Note 1)※	Date

Note 1) Date may follow the symbol in some cases.(Ex.) ※1996.01

Note 2) As far as engine models shown by " XXX " are concerned, the modification of the parts could not be Predicted or the engine models themselves could not be identified.

Note 3) (A=E/#00185) means that the design change on the part has been effective for the model at the, column (A) (in the case, for 4JH-DT) on and from E/#(Engine Serial Number) 00185

⑥Remarks Mark

Figures or alphabets (Symbols) are entered in the remark column.

The comments (remarks) on the pertinent parts are indicated in the lower part of the list by the same symbols a those stated above.

CONTENTS

MODEL : 4TNE98-BQFLC

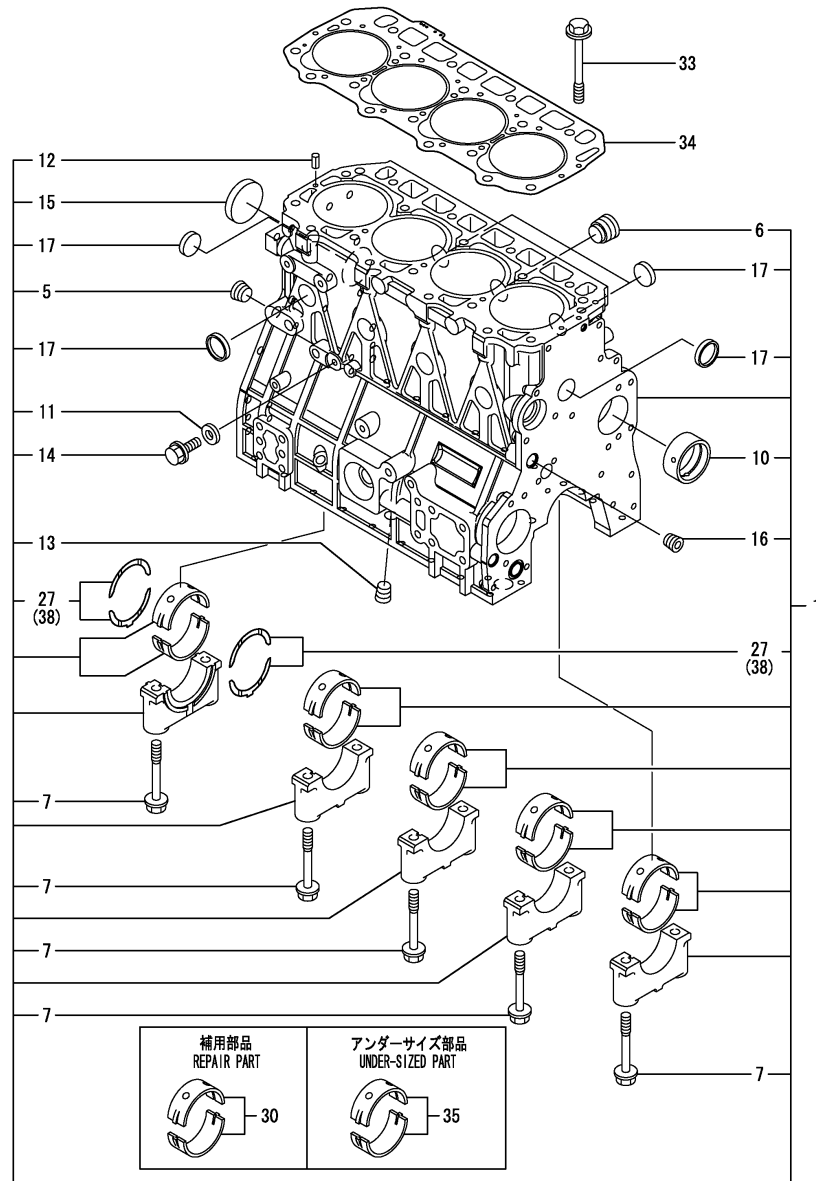
PC NO : Y00W2770

Fig.No. GROUP NAME
4TNE98-BQFLC

Fig.No. GROUP NAME

1. CYLINDER BLOCK
2. GEAR HOUSING
3. FLYWHEEL HOUSING & OIL SUMP
4. CYLINDER HEAD & BONNET
5. SUCTION & EXHAUST MANIFOLD
6. CAMSHAFT & DRIVING GEAR
7. CRANKSHAFT & PISTON
8. LUB.OIL SYSTEM
9. COOLING WATER SYSTEM
10. FUEL INJECTION PUMP
11. FUEL INJECTION VALVE
12. FUEL FILTER
13. STARTING MOTOR
14. GENERATOR
15. GASKET SET

Fig.1. CYLINDER BLOCK



Y00W2770 1. CYLINDER BLOCK

(A)=4TNE98-BQFLC

(B)=

(C)=

(D)=

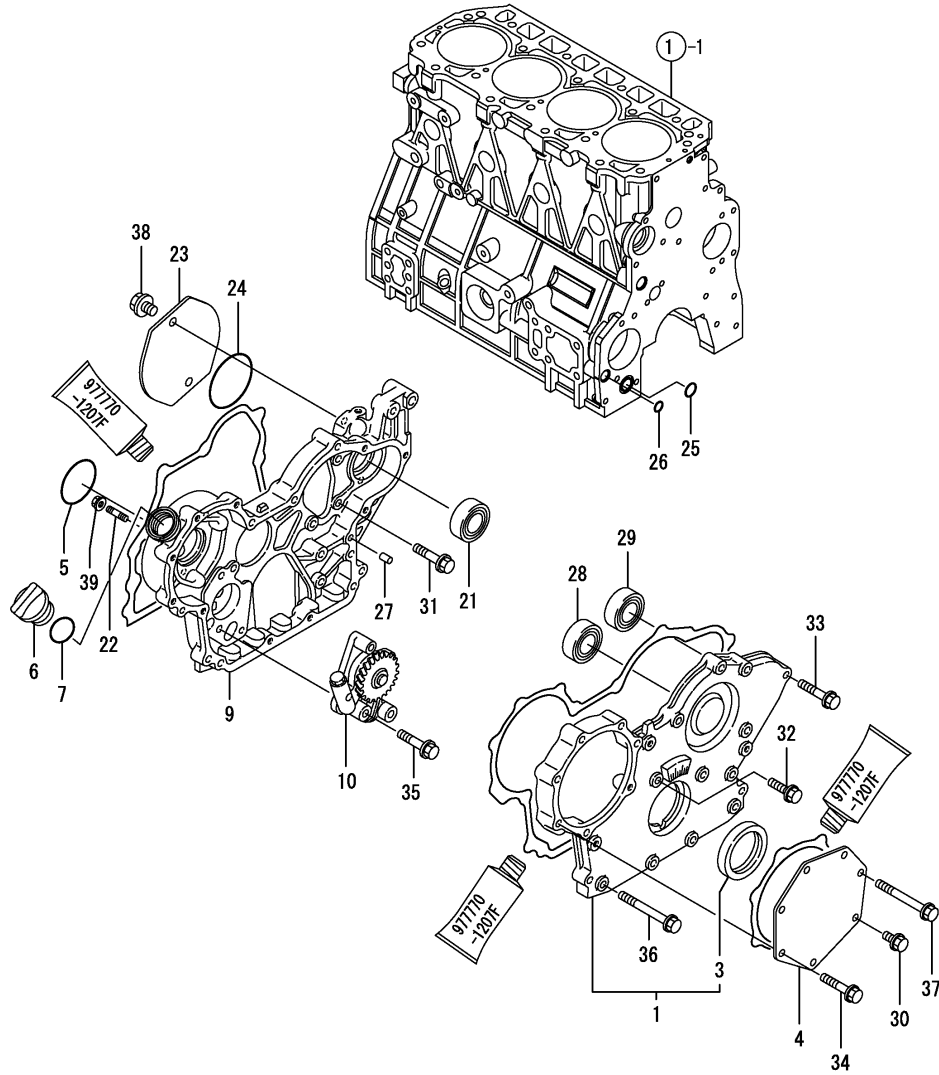
(E)=

(F)=

REF.	LEV.	PARTS NO.	DESCRIPTION	Q'TY						I	R
				(A)	(B)	(C)	(D)	(E)	(F)		
1	1	729903-01560	BLOCK ASSY, CYLINDER	1							
5	2	23876-030000	PLUG PT3/8,SCREW	1							
6	2	171051-01921	PLUG	1							
7	2	129900-02020	BOLT, METAL CAP	10							
10	2	129900-02410	BUSH, CAMSHAFT	1							
11	2	22190-080002	SEAL WASHER 8S	1							
12	2	22351-060012	SPRING PIN 6X12	2							
13	2	23876-030000	PLUG PT3/8,SCREW	1							
14	2	26106-080122	BOLT M 8X 12 PLATED	1							
15	2	129900-01250	PLUG 55	1							
16	2	23876-030000	PLUG PT3/8,SCREW	1							
17	2	27241-300000	PLUG 30	8							
27	2	129900-02931	BEARING ASSY, THRUST	2							
30	1	729900-02801	MAIN BEARING SET	5							3
33	1	129900-01200	BOLT, HEAD	18							
34	1	129903-01350	GASKET, HEAD	1							
35	1	129900-02341	MAIN BEARING US=0.25	5							1
38	1	129900-02941	BEARING,THRUST .25OS	2							2

Remarks
 (1) UNDER-SIZED(U.S=0.25)PART.
 (2) OVER-SIZED(O.S=0.25)PART.
 (3) REPAIR PART.

Fig.2. GEAR HOUSING



(A)=4TNE98-BQFLC

(B)=

(C)=

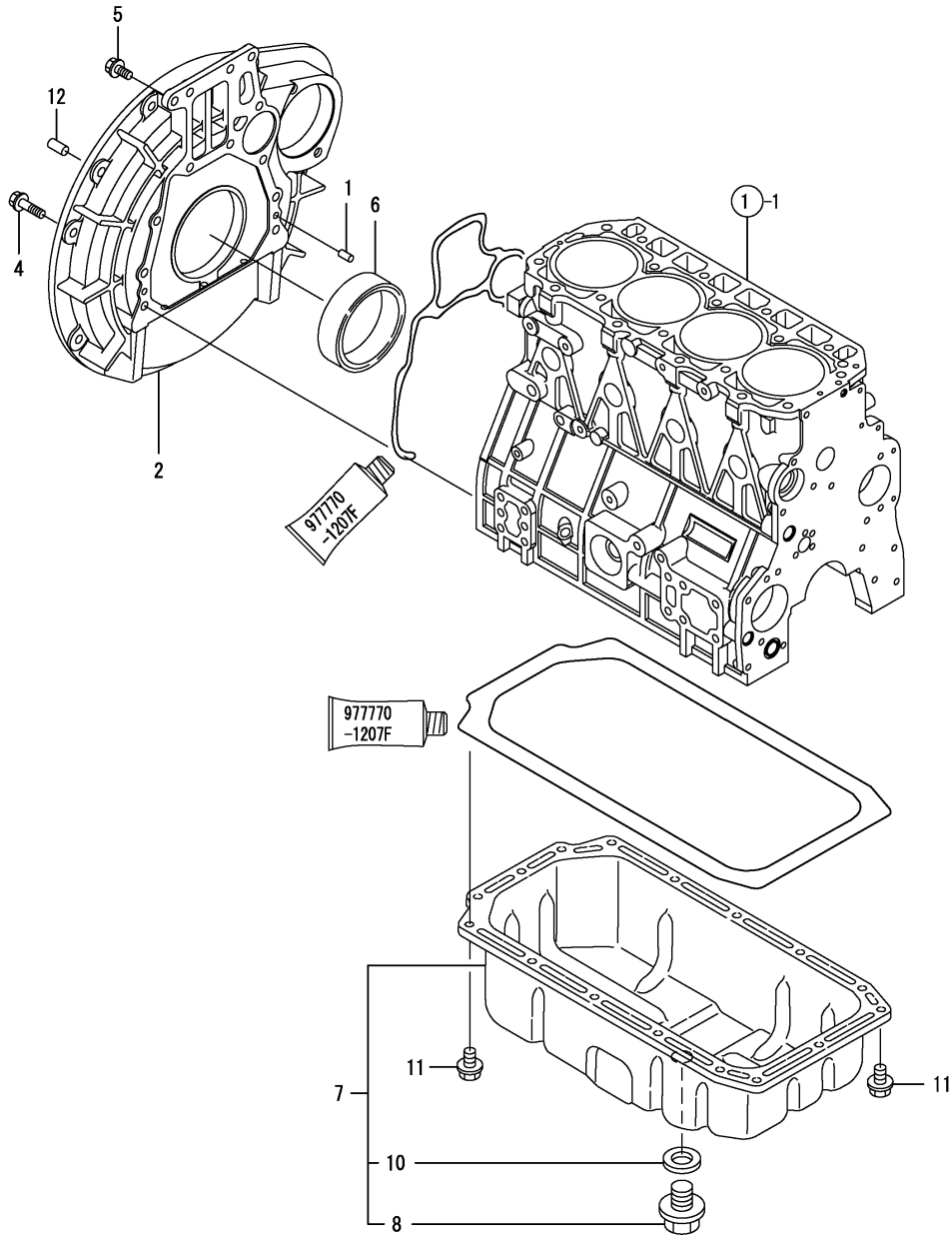
(D)=

(E)=

(F)=

REF.	LEV.	PARTS NO.	DESCRIPTION	Q'TY						I	R
				(A)	(B)	(C)	(D)	(E)	(F)		
1	1	129917-01500	GEARCASE COVER CMP	1							
3	2	129916-01800	SEAL, OIL	1							
4	1	129951-01740	COVER, F.I. PUMP	1							
5	1	24341-000500	O-RING 1A S-50.0	1							
6	1	124160-01751	COVER,FILLER	1							
7	1	24311-000320	O-RING 1A P-32.0	1							
9	1	129970-01500	HOUSING, GEAR	1							
10	1	129900-32001	PUMP ASSY, LUB.OIL	1							
21	1	129900-26250	BALL BEARING	1							
22	1	26226-080302	STUD M 8X 30 PLATED	3							
23	1	121023-26070	COVER, HO-P	1							
24	1	24321-000850	O-RING 1A G-85.0	1							
25	1	129900-32030	O-RING P20	1							
26	1	129900-32040	O-RING P14	1							
27	1	129100-01580	PARALLEL PIN 8X16	4							
28	1	129900-14140	BEARING #6205	1							
29	1	129900-26250	BALL BEARING	1							
30	1	26106-080162	BOLT M 8X 16 PLATED	1							
31	1	26106-080202	BOLT M 8X 20 PLATED	3							
32	1	26106-080302	BOLT M 8X 30 PLATED	1							
33	1	26106-080402	BOLT M 8X 40 PLATED	5							
34	1	26106-080402	BOLT M 8X 40 PLATED	5							
35	1	26106-080452	BOLT M 8X 45 PLATED	3							
36	1	129001-91810	BOLT M 8X 70 PLATED	6							
37	1	129001-91810	BOLT M 8X 70 PLATED	1							
38	1	26106-100122	BOLT M10X 12 PLATED	2							
39	1	26306-080002	NUT	3							

Fig.3. FLYWHEEL HOUSING & OIL SUMP



Y00W2770 3. FLYWHEEL HOUSING & OIL SUMP

(A)=4TNE98-BQFLC

(B)=

(C)=

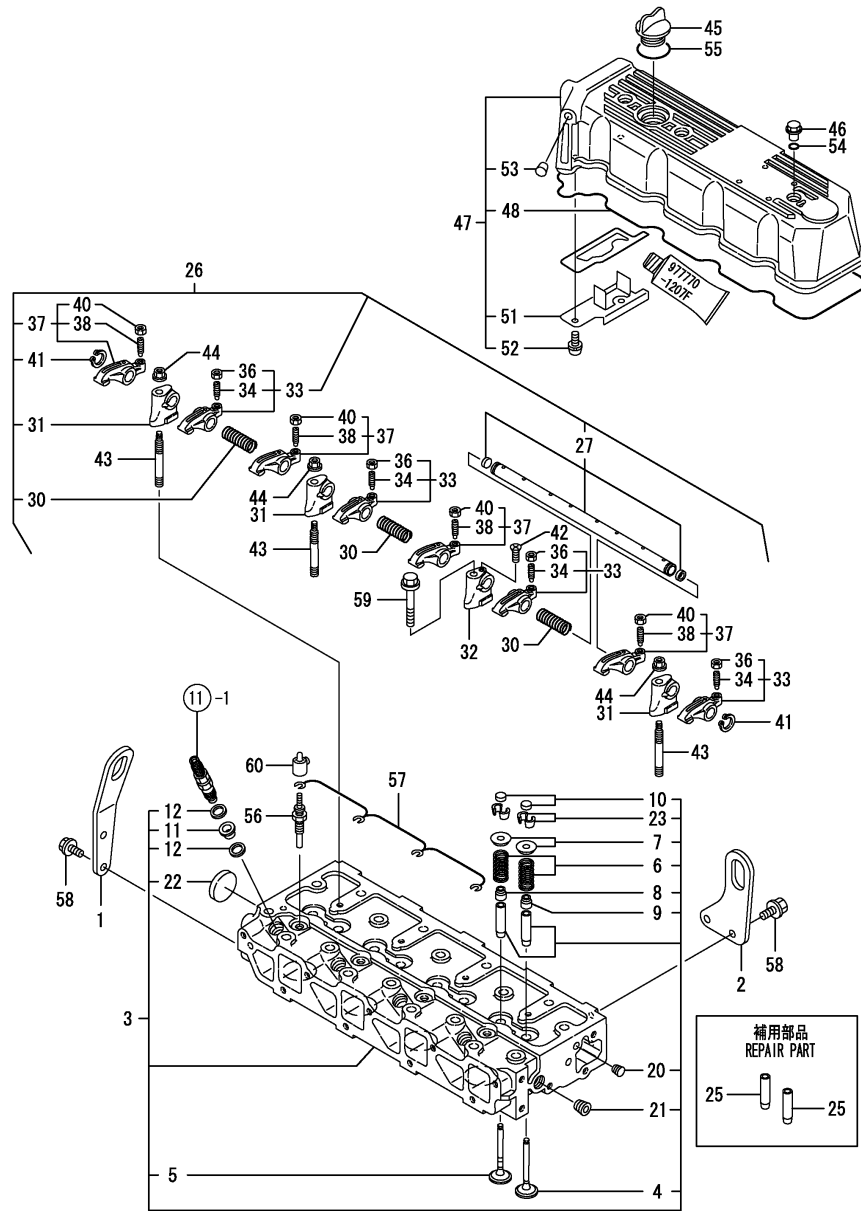
(D)=

(E)=

(F)=

REF.	LEV.	PARTS NO.	DESCRIPTION	Q'TY						I	R
				(A)	(B)	(C)	(D)	(E)	(F)		
1	1	129100-01580	PARALLEL PIN 8X16	2							
2	1	129906-01610	HOUSING, FLYWHEEL	1							
4	1	26206-100352	BOLT M10X 35 PLATED	9							
5	1	26206-100202	BOLT M10X20	4							
6	1	129916-01790	SEAL, OIL	1							
7	1	129930-01710	SUMP ASSY, OIL	1							
8	2	119640-01640	DRAIN PLUG M22	1							
10	2	22190-220002	SEAL WASHER 22S	1							
11	1	26106-080122	BOLT M 8X 12 PLATED	16							
12	1	22312-120200	PARALLEL PIN 12X20	2							

Fig.4. CYLINDER HEAD & BONNET



Y00W2770 4. CYLINDER HEAD & BONNET

(A)=4TNE98-BQFLC

(B)=

(C)=

(D)=

(E)=

(F)=

REF.	LEV.	PARTS NO.	DESCRIPTION	Q'TY						I	R
				(A)	(B)	(C)	(D)	(E)	(F)		
1	1	129930-07910	LIFTER, ENGINE	1							
2	1	129910-07910	LIFTER, ENGINE	1							
3	1	129903-11700	HEAD ASSY,CYLINDER	1							
4	2	129900-11100	VALVE, SUCTION	4							
5	2	129900-11110	VALVE, EXHAUST	4							
6	2	129900-11120	SPRING, VALVE	8							
7	2	129795-11180	RETAINER, SPRING	8							
8	2	121400-11340	SEAL, VALVE STEM	4							
9	2	124460-11340	SEAL, VALVE STEM	4							
10	2	129150-11370	CAP, VALVE	8							
11	2	129901-11450	PROTECTOR, NOZZLE	4							
12	2	119600-11460	GASKET, NOZZLE	8							
20	2	23871-005000	PLUG PT 1/16	1							
21	2	23876-030000	PLUG PT3/8,SCREW	1							
22	2	27241-400000	PLUG 40	1							
23	2	27310-080001	COTTER 8	8							
25	1	129150-11810	GUIDE, VALVE	8							1
26	1	129900-11200	SUPPORT ASY,ROCK.ARM	1							
27	2	129900-11240	SHAFT ASSY,ROCK. ARM	1							
30	2	129900-11280	SPRING	3							
31	2	129900-11510	SUPPORT	3							
32	2	129900-11520	SUPPORT	1							
33	2	129900-11650	ARM KIT, SUC. ROCKER	4							
34	3	129150-11230	SCREW, VALVE	4							
36	3	129150-11750	NUT M8XP1.0	4							
37	2	129900-11660	ARM KIT, EXH. ROCKER	4							
38	3	129150-11230	SCREW, VALVE	4							
40	3	129150-11750	NUT M8XP1.0	4							
41	2	22242-000180	CIRCLIP 18	2							
42	2	26577-040162	SCREW M 4X 16	1							
43	1	129900-11530	STUD BOLT	3							
44	1	26306-100002	NUT	3							
45	1	124160-01751	COVER,FILLER	1							
46	1	124160-11360	KNOB	3							
47	1	129900-11370	BONNET ASSY	1							
48	2	129900-11310	GASKET, BONNET	1							
51	2	129900-11600	PLATE	1							
52	2	22857-500100	SCREW 5X10,TAPPING	2							
53	2	27225-080080	PLUG 8X 8	1							
54	1	24311-000120	O-RING 1A P 12.0	3							
55	1	24311-000320	O-RING 1A P-32.0	1							
56	1	119717-77800	PLUG, GLOW	4							
57	1	129901-77820	CONNECTOR, GLOW PLUG	1							
58	1	26106-080162	BOLT M 8X 16 PLATED	4							
59	1	26106-100652	BOLT M10X 65 PLATED	1							
60	1	119326-77820	COVER, GLOW PLUG	4							

Remarks
(1) REPAIR PART.

Fig.5. SUCTION & EXHAUST MANIFOLD

(A)=4TNE98-BQFLC

(B)=

(C)=

(D)=

(E)=

(F)=

REF.	LEV.	PARTS NO.	DESCRIPTION	Q'TY						I	R
				(A)	(B)	(C)	(D)	(E)	(F)		
1	1	129900-12050	GASKET, SUC.MANIFOLD	1							
2	1	129900-12100	MANIFOLD,INT	1							
3	1	26106-080452	BOLT M 8X 45 PLATED	9							
4	1	129900-13120	MANIFOLD, EXHAUST	1							
5	1	129900-13150	GASKET	1							
6	1	119802-13610	BOLT M 8X 45 PLATED	6							
7	1	119131-18320	BOLT M 8X 22	4							
8	1	119802-13720	STUD, M8X45	2							
9	1	26306-080002	NUT	2							
10	1	121850-77021	GASKET, (NON-ASB.)	1							
11	1	121959-12140	JOINT	1							
12	1	26106-080352	BOLT M 8X 35 PLATED	4							
13	1	129930-13201	GASKET, SILENCER	1							

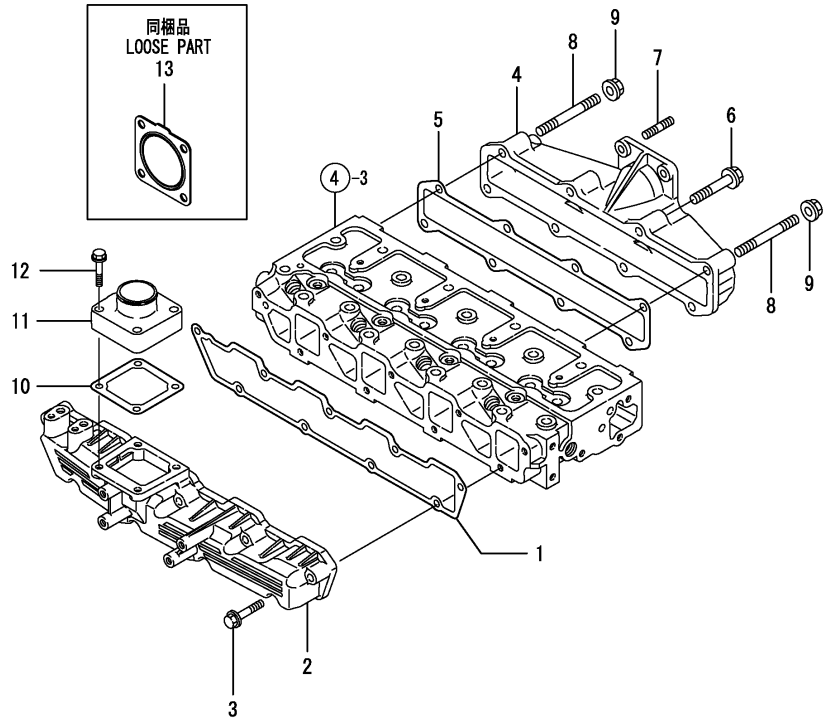
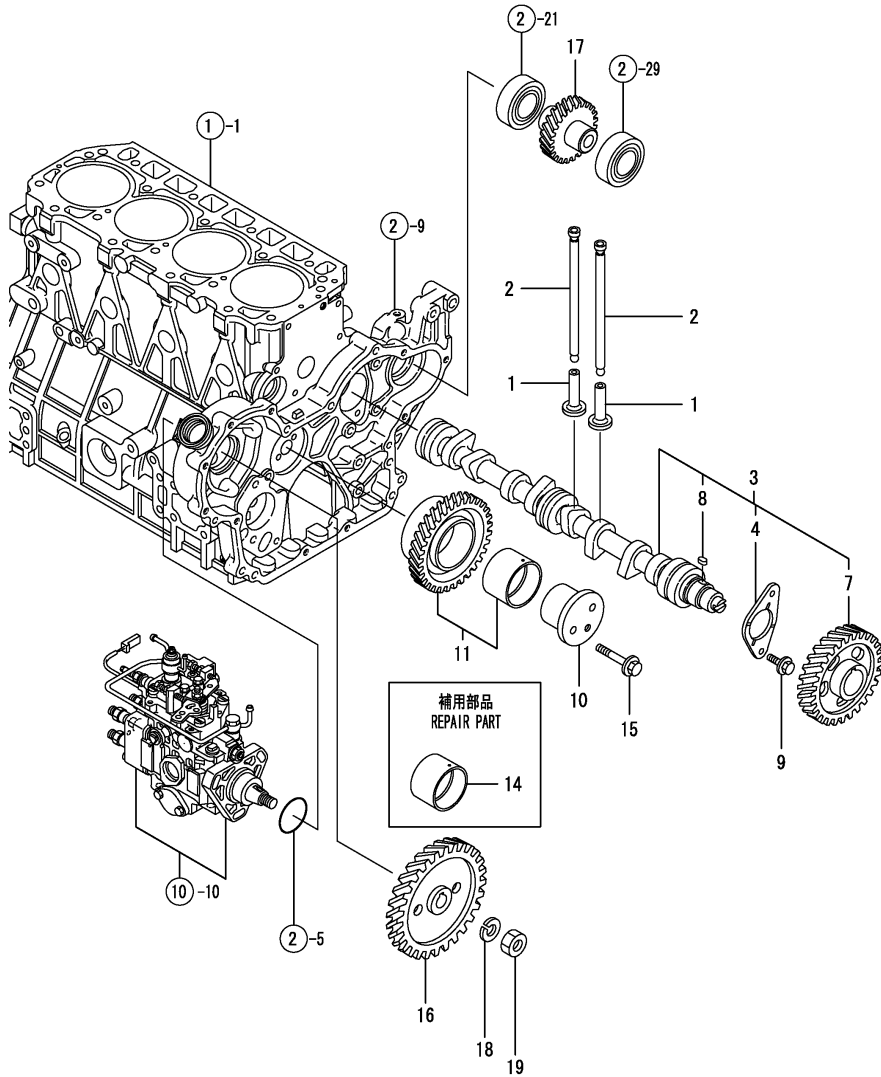


Fig.6. CAMSHAFT & DRIVING GEAR



(A)=4TNE98-BQFLC
(B)=
(C)=

(D)=
(E)=
(F)=

REF.	LEV.	PARTS NO.	DESCRIPTION	Q'TY						I	R
				(A)	(B)	(C)	(D)	(E)	(F)		
1	1	129150-14200	TAPPET	8							
2	1	129900-14400	ROD, PUSH	8							
3	1	129900-14590	CAMSHAFT ASSY	1							
4	2	129150-02450	METAL,THRUST(CAM	1							
7	2	129900-14110	GEAR, CAMSHAFT	1							
8	2	22512-070140	KEY 7X 14	1							
9	1	26106-080142	BOLT 8X 14 PLATED	2							
10	1	129900-25060	SHAFT, IDLER	1							
11	1	129900-25110	GEAR ASSY, IDLE	1							
14	1	129150-25920	BUSH, IDLE GEAR	1							1
15	1	26106-080552	BOLT M 8X 55 PLATED	2							
16	1	129901-25900	GEAR, FI-P	1							
17	1	129900-26020	GEAR ASSY, HYDR.PUMP	1							
18	1	22217-140000	SPRING WASHER 14	1							
19	1	26776-140002	LOCK NUT M14 PLATED	1							

Remarks
(1) REPAIR PART.

Fig.7. CRANKSHAFT & PISTON

(A)=4TNE98-BQFLC

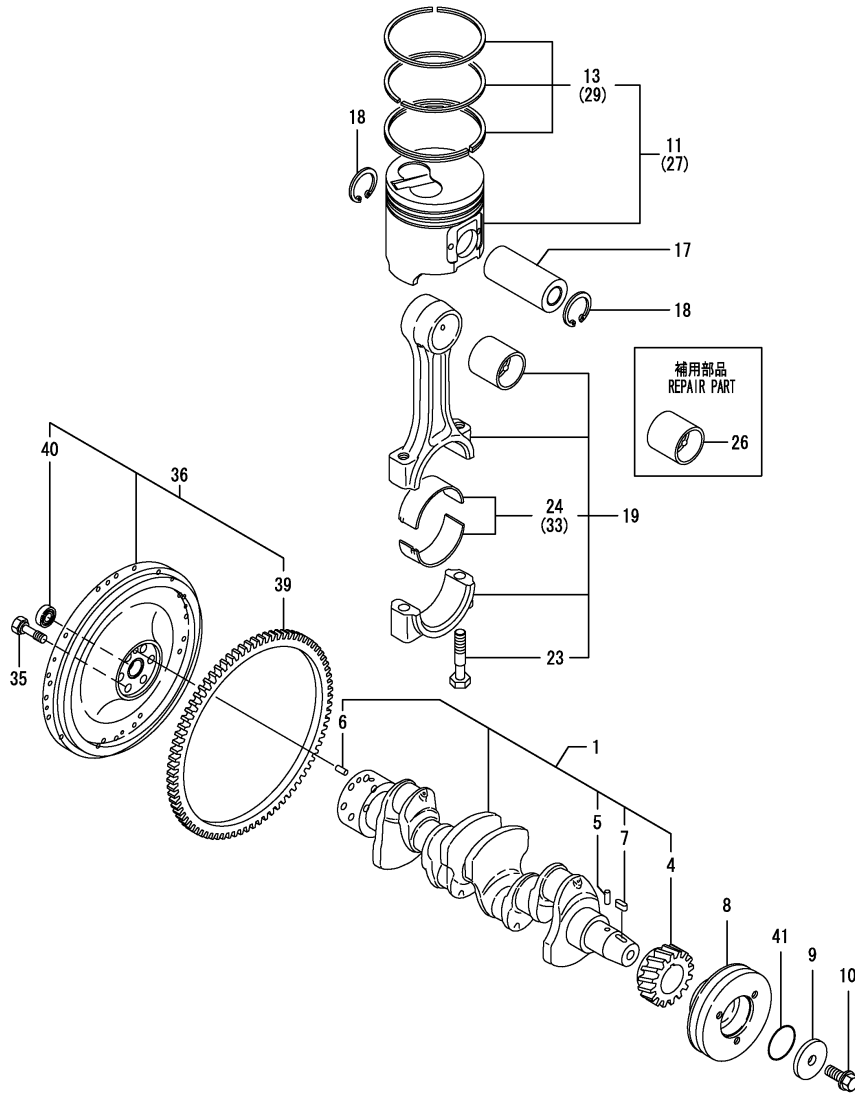
(B)=

(C)=

(D)=

(E)=

(F)=



REF.	LEV.	PARTS NO.	DESCRIPTION	Q'TY						I	R
				(A)	(B)	(C)	(D)	(E)	(F)		
1	1	129902-21050	CRANKSHAFT COMP	1							
4	2	129900-21220	GEAR, CRANKSHAFT	1							
5	2	121850-21290	PARALLEL PIN	1							
6	2	121850-21920	PARALLEL PIN 10X22	1							
7	2	22512-070140	KEY 7X 14	1							
8	1	129907-21650	V-PULLEY,CRANKSHAFT	1							
9	1	129960-21640	WASHER	1							
10	1	129916-21610	BOLT, V-PULLEY	1							
11	1	129903-22120	PISTON ASSY	4							
13	2	129903-22050	RING SET	4							
17	1	120130-22301	PIN, PISTON	4							
18	1	22252-000300	CIRCLIP 30	8							
19	1	129900-23001	ROD ASSY, CONNECTING	4							
23	2	129900-23200	BOLT, ROD	8							
24	2	129900-23601	METAL ASSY, CRANKPIN	4							
26	1	129900-23911	BUSH, PISTON PIN	4							1
27	1	129903-22940	PISTON W/RING OS=.25	4							2
29	2	129903-22950	RING SET O.S=0.25	4							2
33	1	129900-23611	BEARING,PIN U.S=0.25	4							3
35	1	121850-21130	BOLT, FLYWHEEL	6							
36	1	129906-21520	FLYWHEEL CMP	1							
39	2	129900-21600	GEAR, RING	1							
40	2	129930-21690	BEARING	1							
41	1	24341-000530	O-RING 1A S-53.0	1							

Remarks

(1) REPAIR PART.

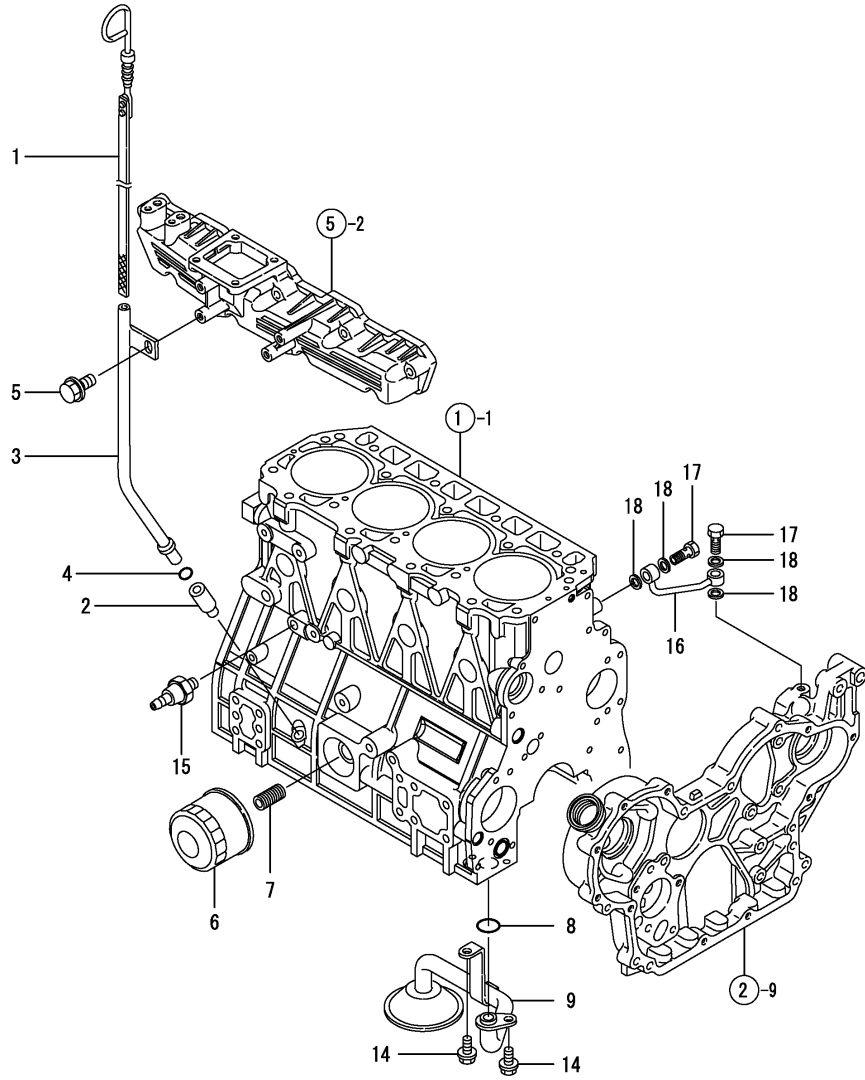
(2) OVER-SIZE(O.S=0.25)PART.

(3) UNDER-SIZE(U.S=0.25)PART.

N:Old ↔ New, Q:Old ↔ New, R:Old ↔ New, S:Old ↔ New, W:Add, Z:Discontinued, F:Set Change, K:Q'ty Change

(C)Copy Rights YANMAR CO.,LTD and YANMAR AGRICULTURAL EQUIPMENT CO.,LTD.

Fig.8. LUB.OIL SYSTEM



Y00W2770 8. LUB.OIL SYSTEM

(A)=4TNE98-BQFLC

(B)=

(C)=

(D)=

(E)=

(F)=

REF.	LEV.	PARTS NO.	DESCRIPTION	Q'TY						I	R
				(A)	(B)	(C)	(D)	(E)	(F)		
1	1	129930-34800	DIPSTICK	1							
2	1	119260-34810	GUIDE, DIPSTICK	1							
3	1	129930-34810	GUIDE, DIPSTICK	1							
4	1	24311-240100	O-RING 1A P-10A	1							
5	1	26106-080162	BOLT M 8X 16 PLATED	1							
6	1	129150-35160	FILTER 80X80L	1							
7	1	119000-35140	STUD, LUB.OIL FILTER	1							
8	1	129900-32030	O-RING P20	1							
9	1	129930-35000	PIPE ASSY, LUB. OIL	1							
14	1	26106-080122	BOLT M 8X 12 PLATED	2							
15	1	114250-39450	SWITCH,(0.5KG)L.O.	1							
16	1	129930-39050	PIPE	1							
17	1	105010-39140	BOLT, PIPE JOINT	2							
18	1	22190-080002	SEAL WASHER 8S	4							

Fig.9. COOLING WATER SYSTEM

(A)=4TNE98-BQFLC

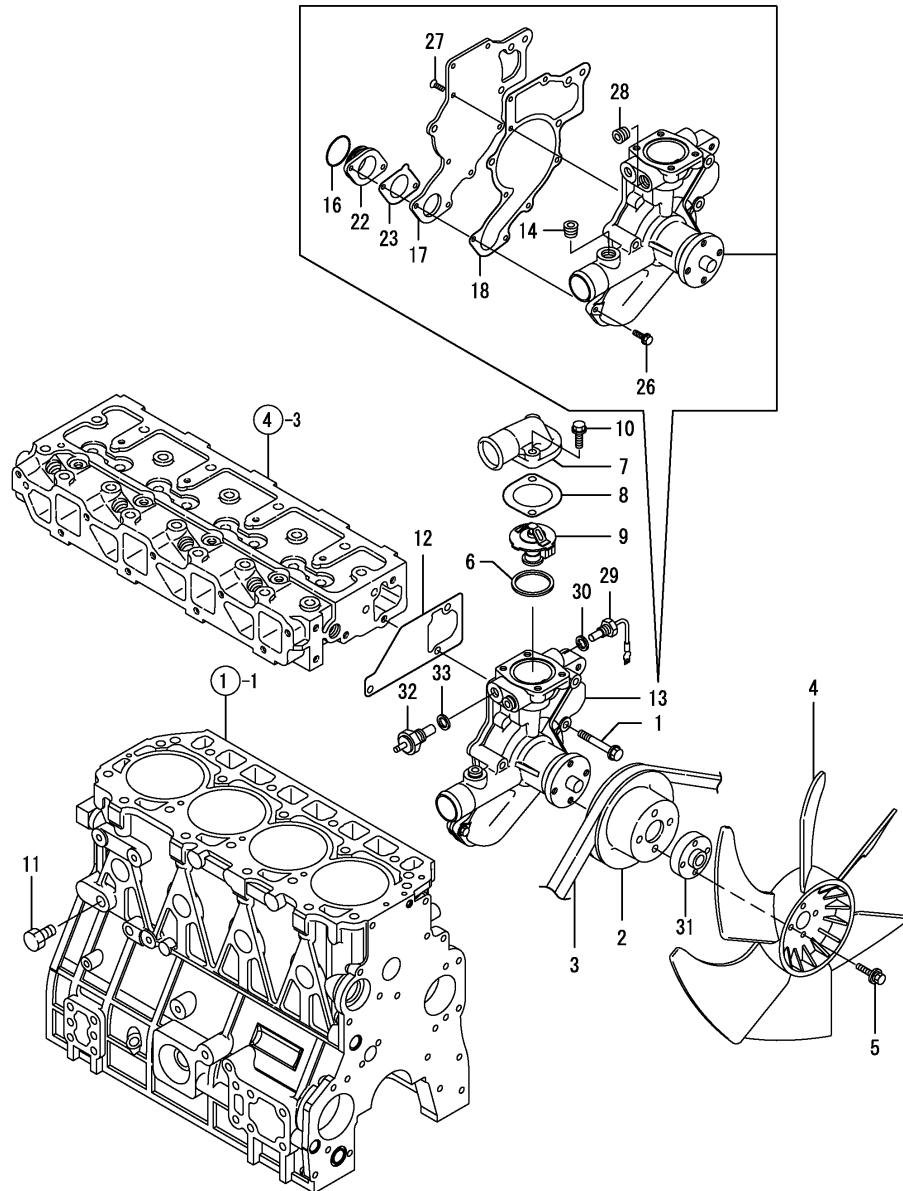
(B)=

(C)=

(D)=

(E)=

(F)=



REF.	LEV.	PARTS NO.	DESCRIPTION	Q'TY						I	R
				(A)	(B)	(C)	(D)	(E)	(F)		
1	1	26106-080552	BOLT M 8X 55 PLATED	3							
2	1	129900-42461	PULLEY	1							
3	1	25132-004300	V-BELT	1							
4	1	129916-44740	FAN	1							
5	1	26014-080352	BOLT M 8X 35	4							
6	1	121850-49550	GASKET, THERMOSTAT	1							
7	1	129900-49551	COVER, THERMOSTAT	1							
8	1	129900-49560	GASKET, (NON-ASB.)	1							
9	1	121850-49810	THERMOSTAT	1							
10	1	26106-080252	BOLT M 8X 25 PLATED	2							
11	1	171056-49120	PLUG, DRAIN	1							
12	1	129900-42061	GASKET, C.W.PUMP	1							
13	1	129917-42010	PUMP ASSY, WATER	1							
14	2	129916-49740	PLUG, DRAIN R03	1							
16	2	129900-42140	O-RING P36	1							
17	2	129917-42160	COVER	1							
18	2	129917-42170	GASKET	1							
22	2	129917-42300	OUTLET FLAMGE	1							
23	2	129917-42310	GASKET, MECHANICAL	1							
26	2	26106-060202	BOLT M 6X 20 PLATED	2							
27	2	26577-060142	SCREW M 6X 14	6							
28	2	23875-010000	PLUG PT1/8	1							
29	1	129107-44901	SENSOR,HOT WATER	1							
30	1	124465-44950	GASKET 16	1							
31	1	119130-44760	SPACER, FAN	1							
32	1	124250-49351	THERMOMETER	1							
33	1	129150-49360	GASKET 10	1							

Fig.10. FUEL INJECTION PUMP

(A)=4TNE98-BQFLC

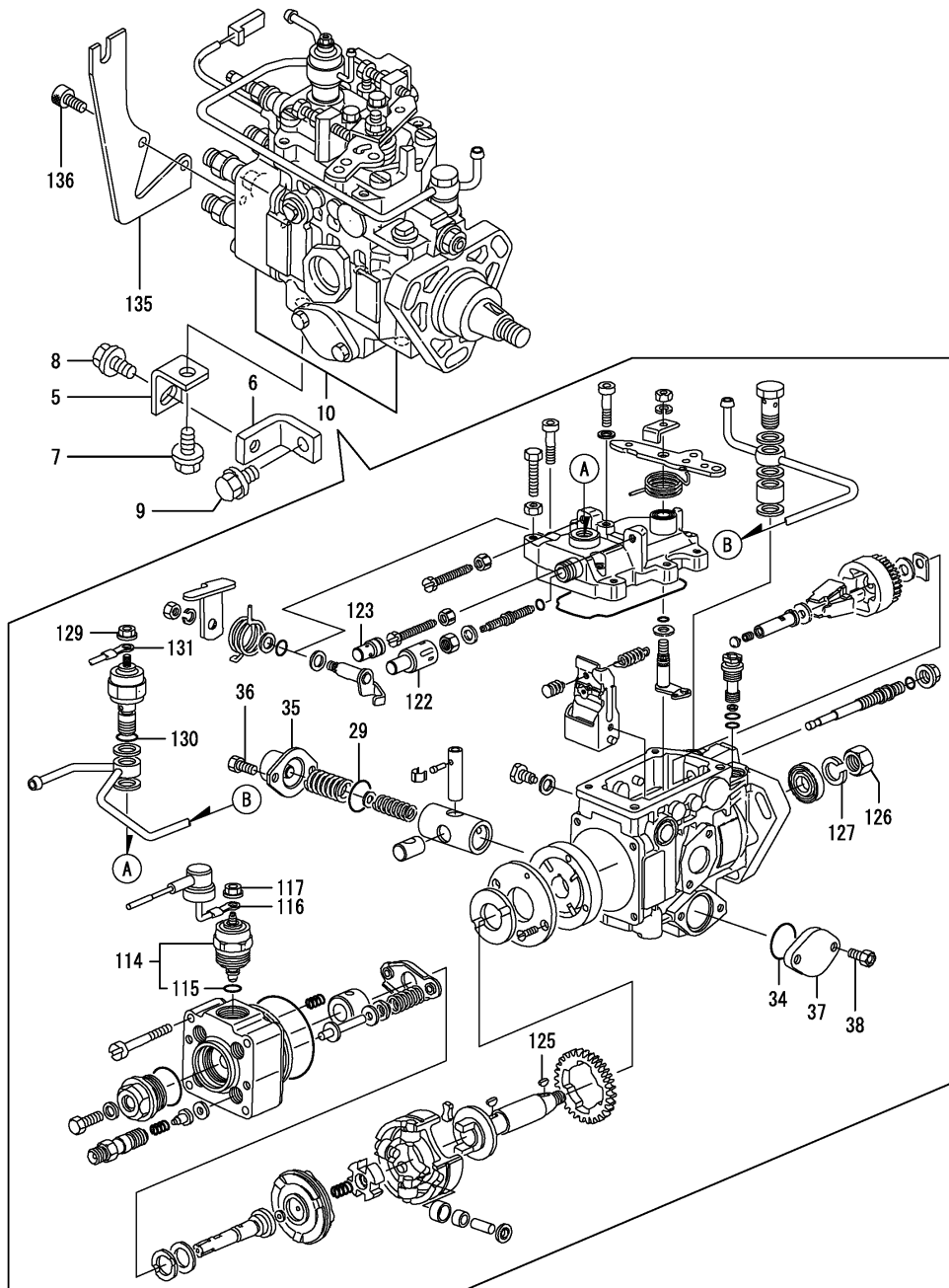
(B)=

(C)=

(D)=

(E)=

(F)=



REF.	LEV.	PARTS NO.	DESCRIPTION	Q'TY						I	R
				(A)	(B)	(C)	(D)	(E)	(F)		
5	1	129904-01950	RETAINER	1							
6	1	129901-01960	STAY, BRACKET	1							
7	1	26106-100142	BOLT M10X 14 PLATED	1							
8	1	26106-100162	BOLT M10X 16 PLATED	1							
9	1	26106-100202	BOLT M10X 20 PLATED	1							
10	1	129919-51500	PUMP ASSY, FUEL OIL	1							
29	2	X1466000800	O RING	1							
34	2	X1466000800	O RING	1							
35	2	X1463104020	COVER	1							
36	2	X1466205000	BOLT	2							
37	2	X1463105100	COVER	1							
38	2	X1466205000	BOLT	2							
114	2	X1466501220	VALVE	1							
115	3	X1466001700	O RING	1							
116	2	X1466584820	WIRE	1							
117	2	X1466214901	NUT	1							
122	2	X1465981000	CAP	1							
123	2	X0299985720	CAP	1							
125	2	X0294704030	WOODRUFF KEY	1							
126	2	X0131214140	NUT	1							
127	2	X0293214050	SPRING WASHER	1							
129	2	X1466214901	NUT	1							
130	2	X1466005000	O RING	1							
131	2	X1466629920	WIRE	1							
135	1	129930-67010	BRACKET, AXEL WIRE	1							
136	1	26450-060252	BOLT M 6X 25	2							

Fig.11. FUEL INJECTION VALVE

(A)=4TNE98-BQFLC

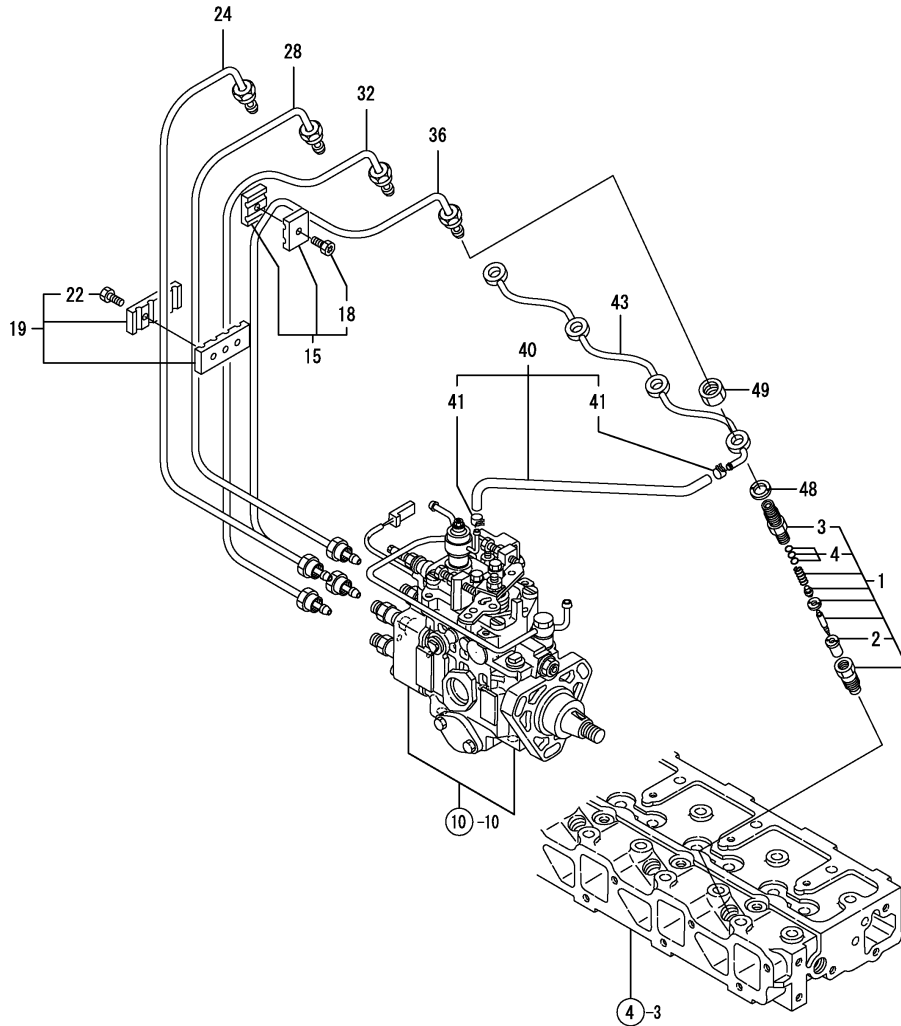
(B)=

(C)=

(D)=

(E)=

(F)=



REF.	LEV.	PARTS NO.	DESCRIPTION	Q'TY						I	R
				(A)	(B)	(C)	(D)	(E)	(F)		
1	1	129931-53000	VALVE ASSY,INJECTION	4							
2	2	119717-53010	NOZZLE ASSY	4							
3	2	129901-53020	RETAINER	4							
4	2	129901-53800	SHIM SET	4							1
15	1	119305-59120	RETAINER	2							
18	2	129150-59131	BOLT M4X14,HEX.SCKT.	2							
19	1	129550-59120	RETAINER	1							
22	2	129150-59131	BOLT M4X14,HEX.SCKT.	2							
24	1	129901-59810	PIPE NO.1, F.INJECT.	1							
28	1	129901-59820	PIPE NO.2, F.INJECT.	1							
32	1	129901-59830	PIPE NO.3, F.INJECT.	1							
36	1	129901-59840	PIPE NO.4, F.INJECT.	1							
40	1	105225-59500	PIPE ASSY,F.O.RETURN	1							
41	2	124066-59100	CLAMP 8	2							
43	1	129901-59510	PIPE, FUEL RETURN	1							
48	1	129901-59560	GASKET, RETURN	4							
49	1	119620-59700	NUT	4							

Remarks
(1) REPAIR PART.

Fig.12. FUEL FILTER

(A)=4TNE98-BQFLC

(B)=

(C)=

(D)=

(E)=

(F)=

REF.	LEV.	PARTS NO.	DESCRIPTION	Q'TY						I	R
				(A)	(B)	(C)	(D)	(E)	(F)		
1	1	129917-55801	FILTER ASSY, FUEL OI	1							
2	2	129917-55810	BODY ASSY, FILTER	1							
3	2	129917-55821	SENSOR ASSY, LEVEL	1							
4	3	129917-55830	PLUG, DRAIN	1							
5	3	129917-55840	O-RING	1							
6	2	129917-55850	ELEMENT ASSY, FILTER	1							
7	1	26106-080252	BOLT M 8X 25 PLATED	2							
8	1	129901-59500	PIPE, FUEL	1							
9	1	23000-013000	CLAMP 13	2							
10	1	105430-67110	CLAMP	2							
11	1	129052-55630	STRAINER, FUEL OIL(IN)	1							
12	1	198072-04320	CLAMP	1							

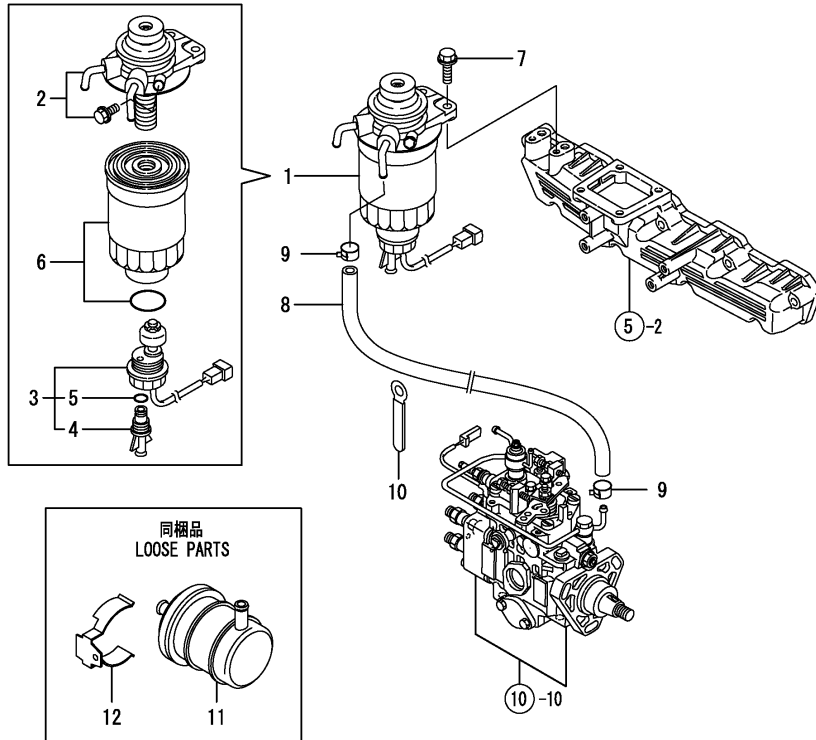
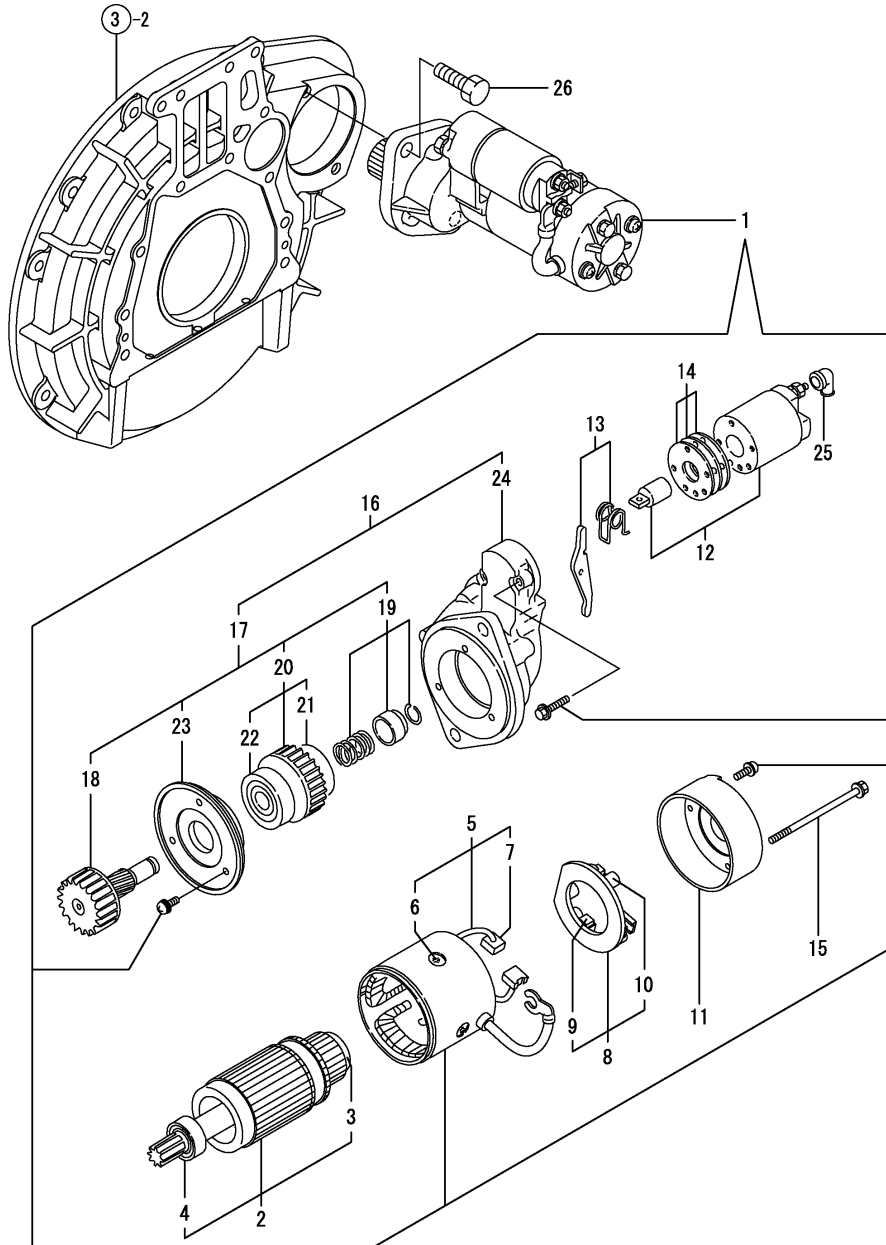


Fig.13. STARTING MOTOR



(A)=4TNE98-BQFLC

(B)=

(C)=

(D)=

(E)=

(F)=

REF.	LEV.	PARTS NO.	DESCRIPTION	Q'TY						I	R
				(A)	(B)	(C)	(D)	(E)	(F)		
1	1	129900-77010	STARTER(2.3KW	1							
2	2	129900-77400	ARMATURE ASSY	1							
3	3	X2114155110	BALL BEARING	1							
4	3	X2114255110	BALL BEARING	1							
5	2	129900-77440	COIL ASSY, FIELD	1							
6	3	171008-77450	SCREW, POLE CORE SET	4							
7	3	129900-77450	BRUSH (+)	2							
8	2	129900-77480	HOLDER ASSY, BRASH	1							
9	3	129900-77450	BRUSH (+)	2							
10	3	X2130631300	BRUSH SPRING	4							
11	2	129900-77460	COVER, REAR	1							
12	2	129900-77591	SWITCH ASSY,MAGNETIC	1							
13	2	129900-77620	SHIFT LEVER SET	1							
14	2	129900-77650	COVER ASSY, DUST	1							
15	2	129900-77640	BOLT, THROUGH	2							
16	2	129900-77700	GEAR CASE ASY	1							
17	3	129900-77510	PINION ASSY	1							
18	4	129900-77540	SHAFT, PINION	1							
19	4	129900-77550	STOPPER SET	1							
20	4	129900-77520	CLUTCH ASSY	1							
21	5	171008-77730	BALL BEARING (3)	1							
22	5	171008-77740	BALL BEARING (4)	1							
23	4	129900-77610	RETAINER, BEARING	1							
24	3	129900-77710	HOUSING, GEARS	1							
25	2	171008-77750	COVER, M TERMINAL	1							
26	1	26116-120302	BOLT M12X 30 PLATED	2							

Fig.14. GENERATOR

(A)=4TNE98-BQFLC

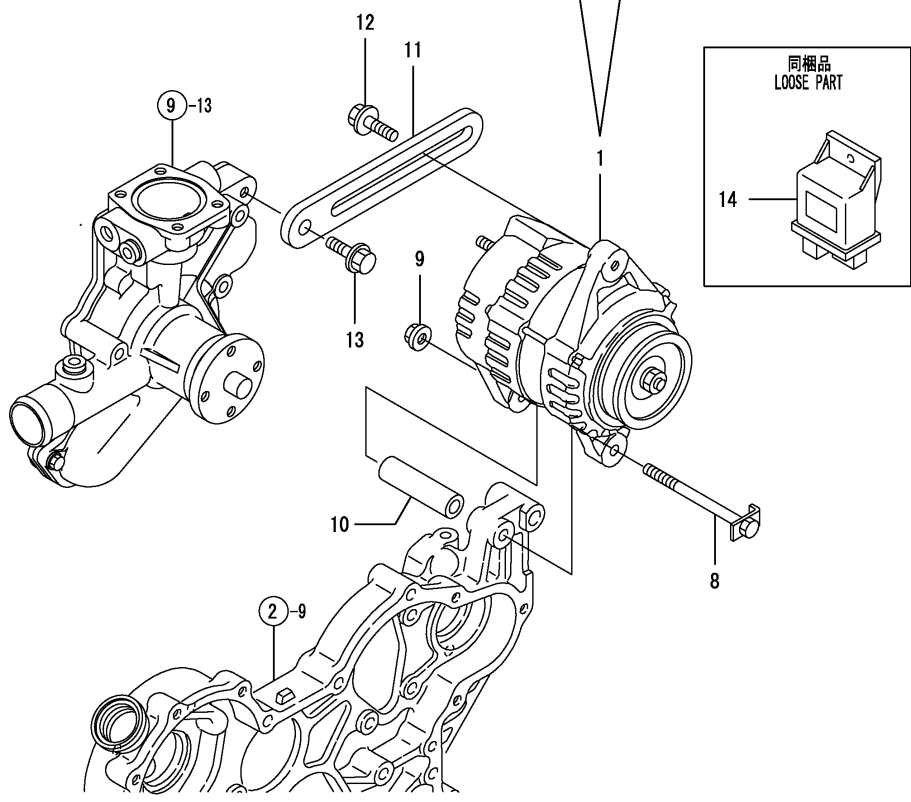
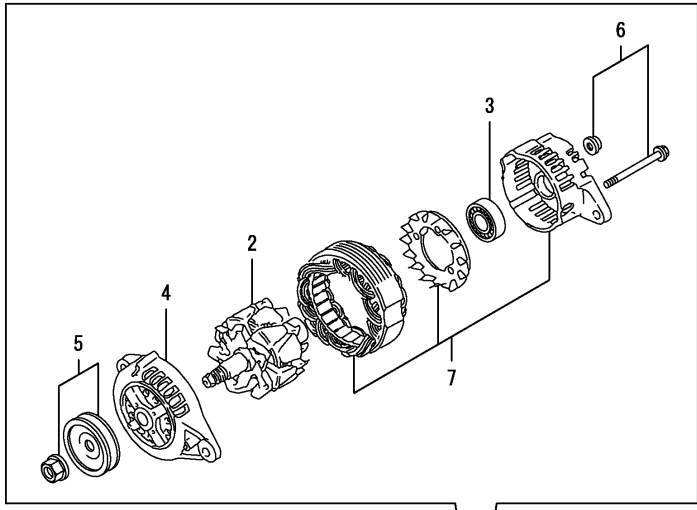
(B)=

(C)=

(D)=

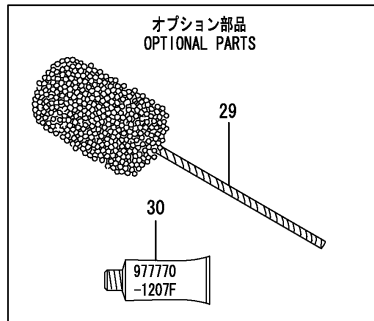
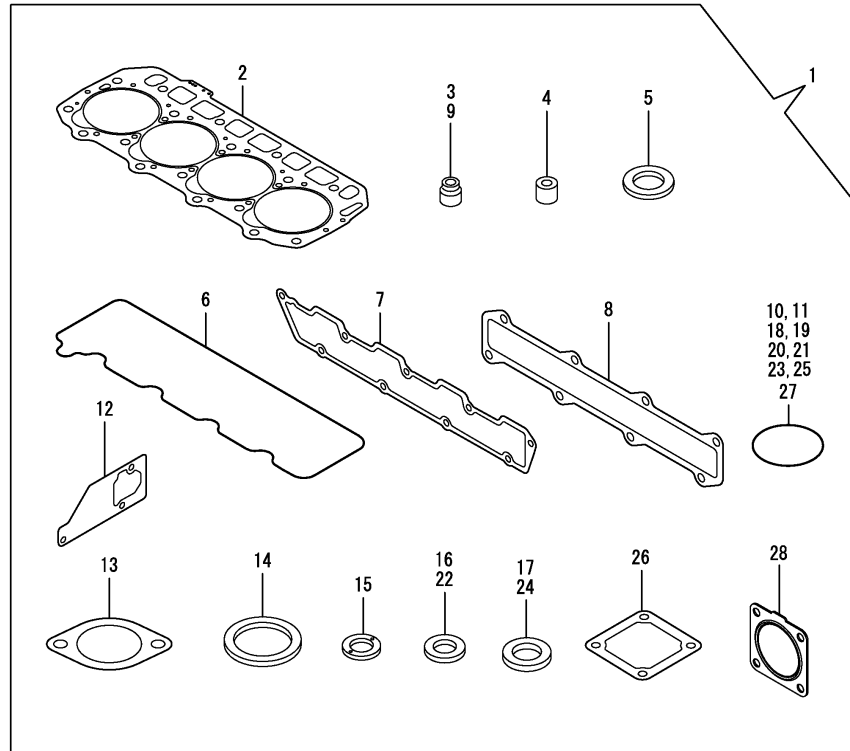
(E)=

(F)=



REF.	LEV.	PARTS NO.	DESCRIPTION	Q'TY						I	R
				(A)	(B)	(C)	(D)	(E)	(F)		
1	1	129930-77212	GENERATOR	1							
2	2	129612-77700	ROTOR ASSY	1							
3	2	129612-77710	BALL BEARING	1							
4	2	129612-77730	FRONT BRACKET ASSY	1							
5	2	129930-77740	PULLEY	1							
6	2	129612-77750	SCREW KIT	1							
7	2	129930-77930	BRACKET, REAR	1							
8	1	129136-77251	BOLT M 8X110	1							
9	1	129612-77260	NUT_GENERATOR	1							
10	1	129150-77340	SPACER	1							
11	1	129900-77330	AJUSTER, BELT	1							
12	1	119810-77340	BOLT	1							
13	1	26014-080252	BOLT M 8X 25	1							
14	1	129930-77970	QGS CONTROLLER (CSD	1							

Fig.15. GASKET SET



Remarks
(1) OPTIONAL PARTS.

Y00W2770 15. GASKET SET

(A)=4TNE98-BQFLC

(B)=

(C)=

(D)=

(E)=

(F)=

REF.	LEV.	PARTS NO.	DESCRIPTION	Q'TY						I	R
				(A)	(B)	(C)	(D)	(E)	(F)		
1	1	729903-92760	GASKET SET(NON-ASB.)	1							1
2	2	129903-01350	GASKET, HEAD	1							
3	2	124460-11340	SEAL, VALVE STEM	4							
4	2	129901-11450	PROTECTOR, NOZZLE	4							
5	2	119600-11460	GASKET, NOZZLE	8							
6	2	129900-11310	GASKET, BONNET	1							
7	2	129900-12050	GASKET, SUC.MANIFOLD	1							
8	2	129900-13150	GASKET	1							
9	2	121400-11340	SEAL, VALVE STEM	4							
10	2	129900-32030	O-RING P20	2							
11	2	129900-32040	O-RING P14	1							
12	2	129900-42061	GASKET, C.W.PUMP	1							
13	2	129900-49560	GASKET, (NON-ASB.)	1							
14	2	121850-49550	GASKET, THERMOSTAT	1							
15	2	129901-59560	GASKET, RETURN	4							
16	2	22190-220002	SEAL WASHER 22S	1							
17	2	124465-44950	GASKET 16	1							
18	2	24311-240100	O-RING 1A P-10A	1							
19	2	24311-000120	O-RING 1A P 12.0	3							
20	2	24311-000320	O-RING 1A P-32.0	2							
21	2	24341-000500	O-RING 1A S-50.0	1							
22	2	22190-080002	SEAL WASHER 8S	5							
23	2	24321-000850	O-RING 1A G-85.0	1							
24	2	129150-49360	GASKET 10	1							
25	2	129900-42140	O-RING P36	2							
26	2	121850-77021	GASKET, AIR HEATER	1							
27	2	24341-000530	O-RING 1A S-53.0	1							
28	2	129930-13201	GASKET, SILENCER	1							
29	1	129400-92450	FLEX HONE	1							1
30	1	977770-1207F	GASKET.LIQUID	1							1

PARTS No .INDEX

All parts of this Parts Catalog is arranged by Part No. order
(depending on the spot where the model is used).

If you want to know by Part No.where your object part is used,
please use this Parts Catalog.

PARTS No. INDEX

PARTS No.	Fig.	Ref.No.
105010-39140	8	17
105225-59500	11	40
105430-67110	12	10
114250-39450	8	15
119000-35140	8	7
119130-44760	9	31
119131-18320	5	7
119260-34810	8	2
119305-59120	11	15
119326-77820	4	60
119600-11460	4	12
	15	5
119620-59700	11	49
119640-01640	3	8
119717-53010	11	2
119717-77800	4	56
119802-13610	5	6
119802-13720	5	8
119810-77340	14	12
120130-22301	7	17
121023-26070	2	23
121400-11340	4	8
	15	9
121850-21130	7	35
121850-21290	7	5
121850-21920	7	6
121850-49550	9	6
	15	14
121850-49810	9	9
121850-77021	5	10
	15	26
121959-12140	5	11
124066-59100	11	41
124160-01751	2	6
	4	45
124160-11360	4	46
124250-49351	9	32
124460-11340	4	9
	15	3
124465-44950	9	30
	15	17
129001-91810	2	36
		37
129052-55630	12	11
129100-01580	2	27
	3	1
129107-44901	9	29
129136-77251	14	8
129150-02450	6	4
129150-11230	4	34

PARTS No.	Fig.	Ref.No.
129150-11230	4	38
129150-11370	4	10
129150-11750	4	36
		40
129150-11810	4	25
129150-14200	6	1
129150-25920	6	14
129150-35160	8	6
129150-49360	9	33
	15	24
129150-59131	11	18
		22
129150-77340	14	10
129400-92450	15	29
129550-59120	11	19
129612-77260	14	9
129612-77700	14	2
129612-77710	14	3
129612-77730	14	4
129612-77750	14	6
129795-11180	4	7
129900-01200	1	33
129900-01250	1	15
129900-02020	1	7
129900-02341	1	35
129900-02410	1	10
129900-02931	1	27
129900-02941	1	38
129900-11100	4	4
129900-11110	4	5
129900-11120	4	6
129900-11200	4	26
129900-11240	4	27
129900-11280	4	30
129900-11310	4	48
	15	6
129900-11370	4	47
129900-11510	4	31
129900-11520	4	32
129900-11530	4	43
129900-11600	4	51
129900-11650	4	33
129900-11660	4	37
129900-12050	5	1
	15	7
129900-12100	5	2
129900-13120	5	4
129900-13150	5	5
	15	8
129900-14110	6	7

PARTS No.	Fig.	Ref.No.
129900-14140	2	28
129900-14400	6	2
129900-14590	6	3
129900-21220	7	4
129900-21600	7	39
129900-23001	7	19
129900-23200	7	23
129900-23601	7	24
129900-23611	7	33
129900-23911	7	26
129900-25060	6	10
129900-25110	6	11
129900-26020	6	17
129900-26250	2	21
		29
129900-32001	2	10
129900-32030	2	25
	8	8
	15	10
129900-32040	2	26
	15	11
129900-42061	9	12
	15	12
129900-42140	9	16
	15	25
129900-42461	9	2
129900-49551	9	7
129900-49560	9	8
	15	13
129900-77010	13	1
129900-77330	14	11
129900-77400	13	2
129900-77440	13	5
129900-77450	13	7
		9
129900-77460	13	11
129900-77480	13	8
129900-77510	13	17
129900-77520	13	20
129900-77540	13	18
129900-77550	13	19
129900-77591	13	12
129900-77610	13	23
129900-77620	13	13
129900-77640	13	15
129900-77650	13	14
129900-77700	13	16
129900-77710	13	24
129901-01960	10	6
129901-11450	4	11

PARTS No.	Fig.	Ref.No.
129901-11450	15	4
129901-25900	6	16
129901-53020	11	3
129901-53800	11	4
129901-59500	12	8
129901-59510	11	43
129901-59560	11	48
	15	15
129901-59810	11	24
129901-59820	11	28
129901-59830	11	32
129901-59840	11	36
129901-77820	4	57
129902-21050	7	1
129903-01350	1	34
	15	2
129903-11700	4	3
129903-22050	7	13
129903-22120	7	11
129903-22940	7	27
129903-22950	7	29
129904-01950	10	5
129906-01610	3	2
129906-21520	7	36
129907-21650	7	8
129910-07910	4	2
129916-01790	3	6
129916-01800	2	3
129916-21610	7	10
129916-44740	9	4
129916-49740	9	14
129917-01500	2	1
129917-42010	9	13
129917-42160	9	17
129917-42170	9	18
129917-42300	9	22
129917-42310	9	23
129917-55801	12	1
129917-55810	12	2
129917-55821	12	3
129917-55830	12	4
129917-55840	12	5
129917-55850	12	6
129919-51500	10	10
129930-01710	3	7
129930-07910	4	1
129930-13201	5	13
	15	28
129930-21690	7	40
129930-34800	8	1

PARTS No. INDEX

PARTS No.	Fig.	Ref.No.
129930-34810	8	3
129930-35000	8	9
129930-39050	8	16
129930-67010	10	135
129930-77212	14	1
129930-77740	14	5
129930-77930	14	7
129930-77970	14	14
129931-53000	11	1
129951-01740	2	4
129960-21640	7	9
129970-01500	2	9
171008-77450	13	6
171008-77730	13	21
171008-77740	13	22
171008-77750	13	25
171051-01921	1	6
171056-49120	9	11
198072-04320	12	12
729900-02801	1	30
729903-01560	1	1
729903-92760	15	1
977770-1207F	15	30
X0131214140	10	126
X0293214050	10	127
X0294704030	10	125
X0299985720	10	123
X1463104020	10	35
X1463105100	10	37
X1465981000	10	122
X1466000800	10	29
		34
X1466001700	10	115
X1466005000	10	130
X1466205000	10	36
		38
X1466214901	10	117
		129
X1466501220	10	114
X1466584820	10	116
X1466629920	10	131
X2114155110	13	3
X2114255110	13	4
X2130631300	13	10

PARTS No.	Fig.	Ref.No.
-----------	------	---------

PARTS No.	Fig.	Ref.No.
-----------	------	---------

PARTS No.	Fig.	Ref.No.
-----------	------	---------