

## 第六部分 液压系统目录

### Part VI Hydraulic system contents

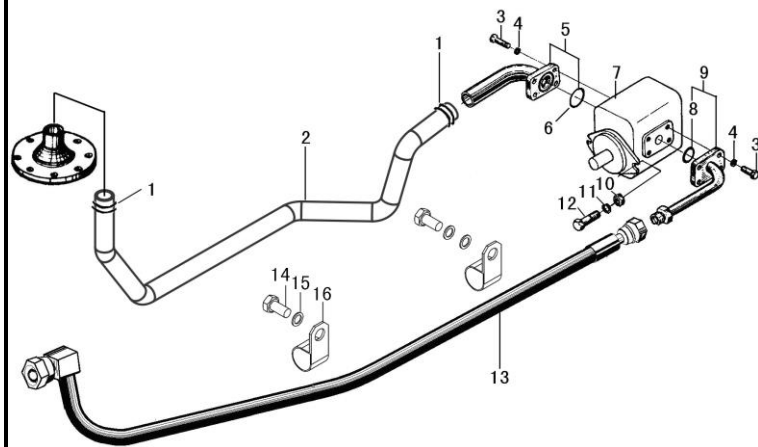
Ⓐ CPCD40/45-XRG76	Ⓑ CPCD50-XRXG76	Ⓐ <sub>1</sub> CPC40/45-XRG76	Ⓑ <sub>1</sub> CPC50-XRXG76
Ⓒ CPCD40/45-XRG75	Ⓓ CPCD50-XRXG75	Ⓒ <sub>1</sub> CPC40/45-XRG75	Ⓓ <sub>1</sub> CPC50-XRXG75
Ⓔ CPCD40/45-XRW34	Ⓕ CPCD50-XRXW34	Ⓒ CPCD40/45-XRW35	Ⓕ CPCD50-XRXW35
Ⓘ CPCD40/45-XRW76	Ⓙ CPCD50-XRXW76	Ⓚ CPQYD40/45-XRW57	Ⓛ CPQYD50-XRXW57
Ⓜ CPCD40/45-XRG73	Ⓜ <sub>1</sub> CPC40/45-XRG73	Ⓝ CPCD50-XRXG73	Ⓝ <sub>1</sub> CPC50-XRXG73

序号 Item	名称 Description	适用车型 Serial No.	页码 Page
图 1 Fig. 1	油泵总成 Oil pump assy	Ⓐ Ⓑ Ⓐ <sub>1</sub> Ⓑ <sub>1</sub> Ⓒ Ⓓ Ⓒ <sub>1</sub> Ⓓ <sub>1</sub> Ⓔ Ⓕ Ⓖ Ⓗ Ⓘ Ⓚ Ⓛ	6-1
图 2 Fig. 2	油泵总成 Oil pump assy	Ⓜ Ⓜ <sub>1</sub> Ⓝ Ⓝ <sub>1</sub>	6-3
图 4 Fig. 4	转向管路 Steering oil pipe	全部车型 All model of truck	6-5
图 5 Fig. 5	回油滤油总成 Strainer assy	全部车型 All model of truck	6-8
图 6 Fig.6	液压油箱附件 Hydraulic tank accessory	全部车型 All model of truck	6-9
图 7 Fig.7	多路阀操纵 Multi-way valve control	全部车型 All model of truck	6-10
图 8 Fig.8	多路阀总成 Multi-way valve assy	全部车型 All model of truck	6-12
图 9 Fig.9	倾斜管路 Tilting oil pipe	全部车型 All model of truck	6-14
图 10 Fig. 10	助力器油路 Booster oil circuit	Ⓔ Ⓕ Ⓖ Ⓗ Ⓘ Ⓚ Ⓛ	6-15



图1 油泵总成  
Fig.1 Pump assy

(A) CPCD40/45-XRG76 (B) CPCD50-XRXG76 (A1) CPC40/45-XRG76 (B1) CPC50-XRXG76  
 (C) CPCD40/45-XRG75 (D) CPCD50-XRXG75 (C1) CPC40/45-XRG75 (D1) CPC50-XRXG75  
 (E) CPCD40/45-XRW34 (F) CPCD50-XRXW34 (G) CPCD40/45-XRW35 (H) CPCD50-XRXW35  
 (I) CPCD40/45-XRW76 (J) CPCD50-XRXW76 (K) CPQYD40/45-XRW57 (L) CPQYD50-XRXW57



序号 Item	物料码 Part No.	名称 Description	数量 Qty	备注或适用车型 Remarks or Serial No.	原物料码 Original Part No.
1	209990000523	双钢丝式环箍 52 Clamp 52	2		Q672-52-G00
2	206300071187	吸油管 Suction hose	1		XR462-600001-000
3	300010040009	螺栓 M10×25 Bolt M10×25	8		G005783-010025-00
4	300030010001	垫圈 10 Washer 10	8		G000093-000010-00
5	206100130007	吸油法兰总成 Suction flange assy	1		R450-601100-000
6	300130010082	O 形密封圈 45×3.5 O-ring 45×3.5	1		G001235-004503P5-00
7	206100070078	齿轮泵 Gear pump	1		R450-601300-000
8	300130010104	O 形密封圈 35×3.1 O-ring 35×3.1	1		G001235-003503P1-00
9	206100130002	出油法兰总成 Outlet flange assy	1		R450-601200-000
9	206100130004	出油法兰总成 Outlet flange assy	1		R470-601200-000
10	300020010004	螺母 M12 Nut M12	2		G006170-000012-00
11	300030010002	垫圈 12 Washer 12	2		G000093-000012-00
12	300010030038	螺栓 M12×45 Bolt M12×45	2		G005782-012045-00
13	206300082045	胶管总成 Hose assy	1		R450-602000-000
14	300010040169	螺栓 M8×16 Bolt M8×16	2		G005783-008016-00



图2 油泵总成  
Fig.2 Pump assy

Ⓜ CPCD40/45-XRG73

Ⓜ1 CPC40/45-XRG73

Ⓝ CPCD50-XRXG73

Ⓝ1 CPC50-XRXG73

序号 Item	物料码 Part No.	名称 Description	数量 Qty	备注或适用车型 Remarks or Serial No.	原物料码 Original Part No.
1	209990000523	双钢丝式环箍 52 Clamp 52	2		Q672-52-G00
2	206300071251	吸油管 Suction hose	1		XR451-600001-000
3	300010040009	螺栓 M10×25 Bolt M10×25	8		G005783-010025-00
4	300030010001	垫圈 10 Washer 10	8		G000093-000010-00
5	206100130059	吸油法兰总成 Suction flange assy	1		A462-601100-000
6	G001235-004503P5-00	O 形密封圈 45×3.5 O-ring 45×3.5	1		
7	206100070172	齿轮泵 Gear pump	1		A462-601300-000
8	300130010104	O 形密封圈 35×3.1 O-ring 35×3.1	1		G001235-003503P1-00
9	206100130039	出油法兰总成 Outlet flange assy	1		A462-601200-000
10	300020010004	螺母 M12 Nut M12	2		G006170-000012-00
11	300030010002	垫圈 12 Washer 12	2		G000093-000012-00
12	300010030038	螺栓 M12×45 Bolt M12×45	2		G005782-012045-00
13	206300082280	胶管总成 Rubber pipe assy	1		A462-602000-000
14	310040010003	抱箍 Clip	2		R450-600003-000
15	300030010015	垫圈 8 Washer 8	2		G000093-000008-00



图 4 转向管路  
Fig. 4 Steering oil pipe

全部车型  
All model of truck

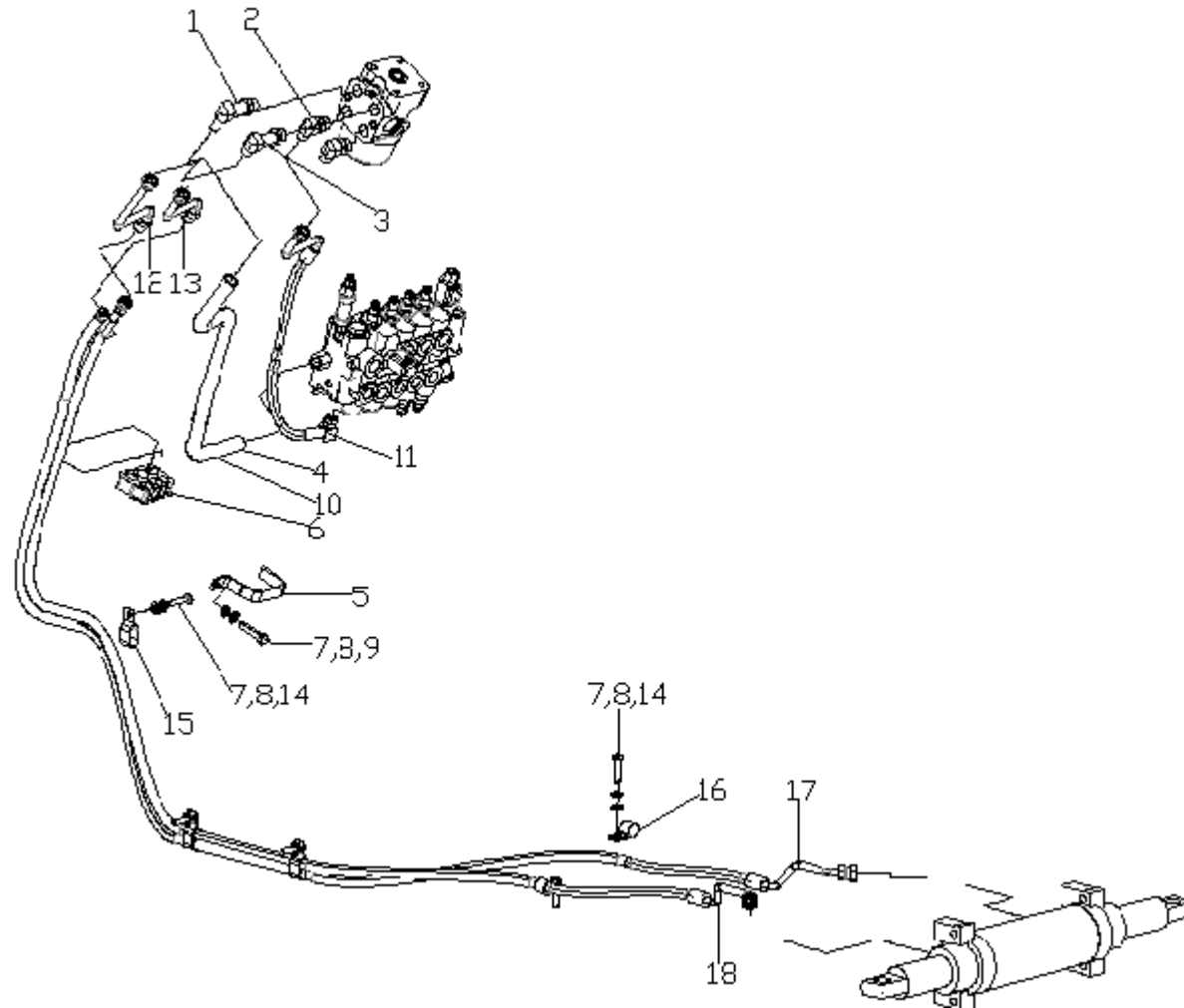


图4 转向管路  
Fig. 4 Steering oil pipe

全部车型  
All model of truck

序号 Item	代号 Part No.	名称 Description	数量 Qty	备注或适用车型 Remarks or Serial No.	原物料码 Original Part No.
1	206300220126	回油接头 Connector	1		XR700-630020-000
2	310050030014	90° 度管接头 Connector	2		20RH-600300-000
3	310050030043	90° 度管接头 Connector	1		XR310-630600-000
4	209990000508	双钢丝式环箍 24 Clamp 24	2		Q672-24-G00
5	206500250166	压板 Clamp	1		XR310-630002-000
6	206300050033	橡胶固定块 Rubber block	1		X700-630005-000
7	300030010015	垫圈 8 Washer 8	6		G000093-000008-00
8	300030040014	垫圈 8 Washer 8	6		G0097P1-000008-00
9	300010040177	螺栓 M8×25 Bolt M8×25	1		G005783-008025-00
10	209990004080	低压胶管 Low pressure hose	1		XR460-630003-W00
11	206300071283	胶管总成 Rubber pipe assy	1	剩余车型 Remaining models	XR460-630500-000
11	206300082310	胶管总成 Rubber pipe assy	1	Ⓔ Ⓕ Ⓖ Ⓗ Ⓘ Ⓚ Ⓛ	XR463-630300-000
12	206500140025	硬管总成 Rubber pipe assy	1		XR460-630400-001
13	206500140024	硬管总成 Rubber pipe assy	1		XR460-630300-001
14	300010040170	螺栓 M8×16 Bolt M8×16	5		G005783-008016-01

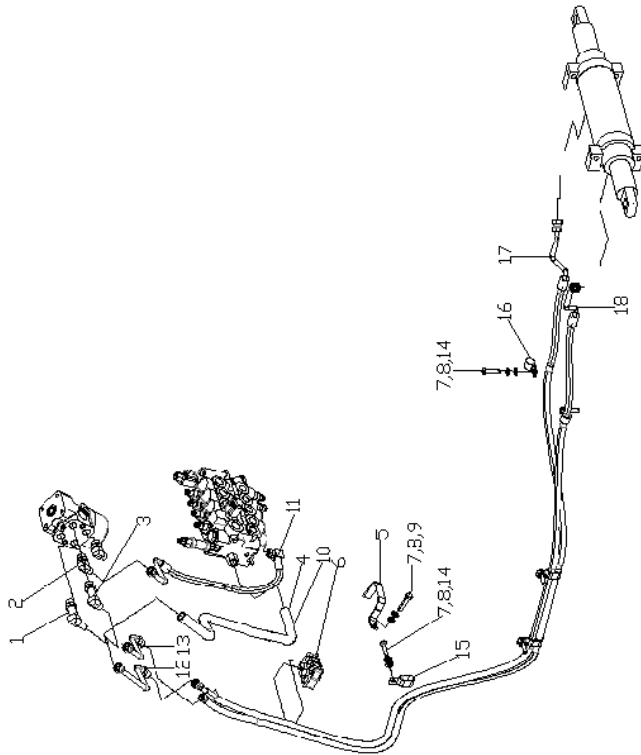




图 4 转向管路  
Fig. 4 Steering oil pipe

全部车型  
All model of truck

序号 Item	代号 Part No.	名称 Description	数量 Qty	备注或适用车型 Remarks or Serial No.	原物料码 Original Part No.
15	310060020011	抱箍 Clamp	2		GR501-630001-000
16	310040010072	管夹 Clamp	2		N163-540002-000
17	209990004335	胶管总成 Rubber pipe assy	1		XR460-630100-001
18	209990004336	胶管总成 Rubber pipe assy	1		XR460-630200-001

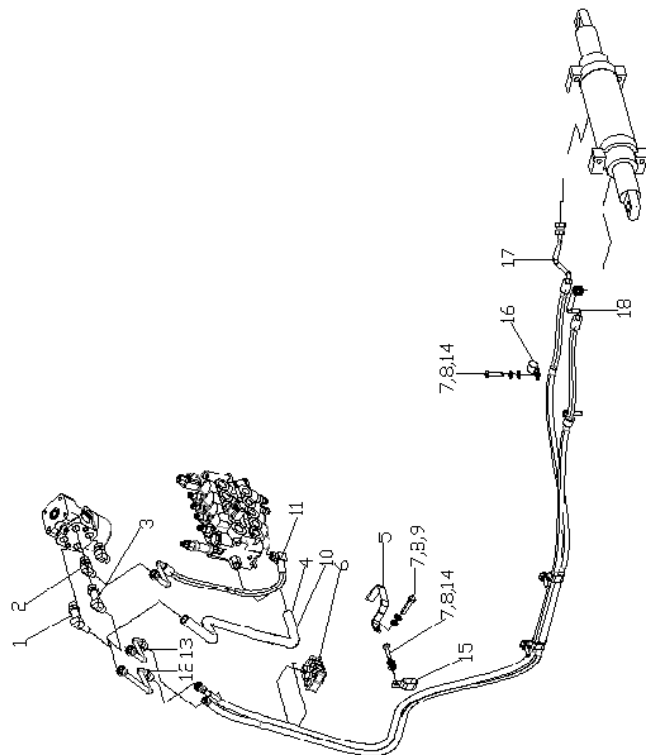


图5 回油滤油总成  
Fig.5 Strainer assy

全部车型  
All model of truck

序号 Item	代号 Part No.	名称 Description	数量 Qty	备注或适用车型 Remarks or Serial No.	原物料码 Original Part No.
1	209990000523	双钢丝式环箍 52 Clamp 52	2		Q672-52-G00
2	206300071252	回油管,二联阀 Hose, 2 Sec. valve	1	© ①	XR462-602001-000
2	206300071253	回油管,三联阀 Hose, 3 Sec. valve	1	© ①	XR462-602002-000
2	206300071254	回油管,四联阀 Hose, 4 Sec. valve	1	© ①	XR462-602003-000
2	206300071247	回油管,二联阀 Hose, 2 Sec. valve	1	剩余车型 Remaining models	XR451-602001-000
2	206300071246	回油管,三联阀 Hose, 3 Sec. valve	1	剩余车型 Remaining models	XR451-602002-000
2	206300071245	回油管,四联阀 Hose, 4 Sec. valve	1	剩余车型 Remaining models	XR451-602003-000
3	310040010106	管夹 Clamp	1		XB450-602005-000
4	300010040169	螺栓 M8×16 Bolt M8×16	1		G005783-008016-00
5	300030010015	垫圈 8 Washer 8	1		G000093-000008-00
6	300030040014	垫圈 8 Washer 8	1		G0097P1-000008-00

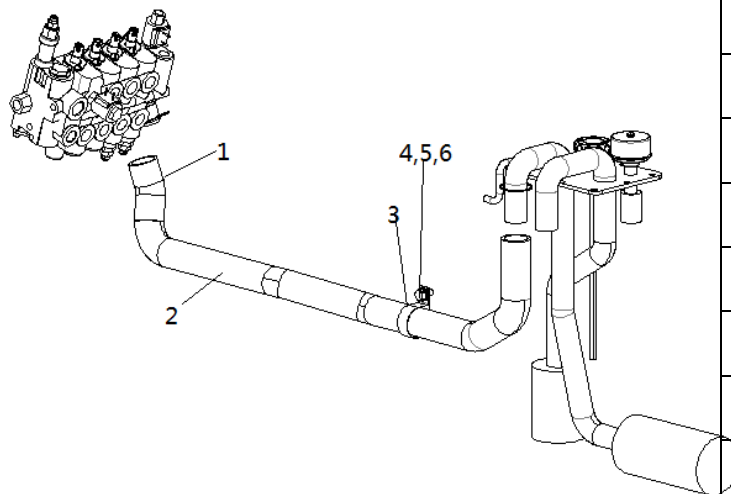


图6 液压油箱附件  
Fig. 6 Hydraulic tank accessory

全部车型  
All model of truck

序号 Item	物料码 Part No.	名称 Description	数量 Qty	备注或适用车型 Remarks or Serial No.	原物料码 Original Part No.
1	206500180019	油尺 Oil dipstick	1		R450-652000-000
2	206500110011	空气过滤器 Breather filter	1		A300-603200-000
3	300010040169	螺栓 M8×16 Bolt M8×16	9		G005783-008016-00
4	300030140012	垫圈 8 Washer 8	9		J000982-000008-00
5	206500040160	盖板 Cover plate	1	(A) (B) (A1) (B1) (C1) (D1) (M) (M1) (N) (N1)	XR460-603110-000
5	206500040171	盖板 Cover plate	1	(C) (D)	XR462-603110-000
5	206500040161	盖板 Cover plate	1	(E) (F) (G) (H) (I) (J) (K) (L)	XR463-603110-000
6	206500130086	密封垫 Seal pad	1		XR460-603001-000
7	206500020063	吸油滤油器 Suction filter	1		A450-650100-000
8	206500010046	回油滤油器总成 Filter assy	1		XB452-603200-000
9	203400040002	螺塞 Plug	1		N163-340008-000
10	300030140007	垫圈 24 Washer 24	1		J000982-000024-00
11	203400020001	磁铁 Ring magnetic iron	1		N163-340002-000

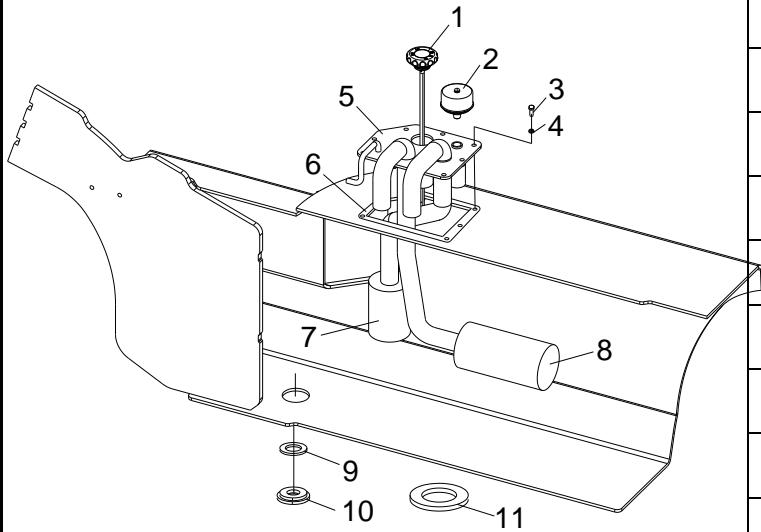
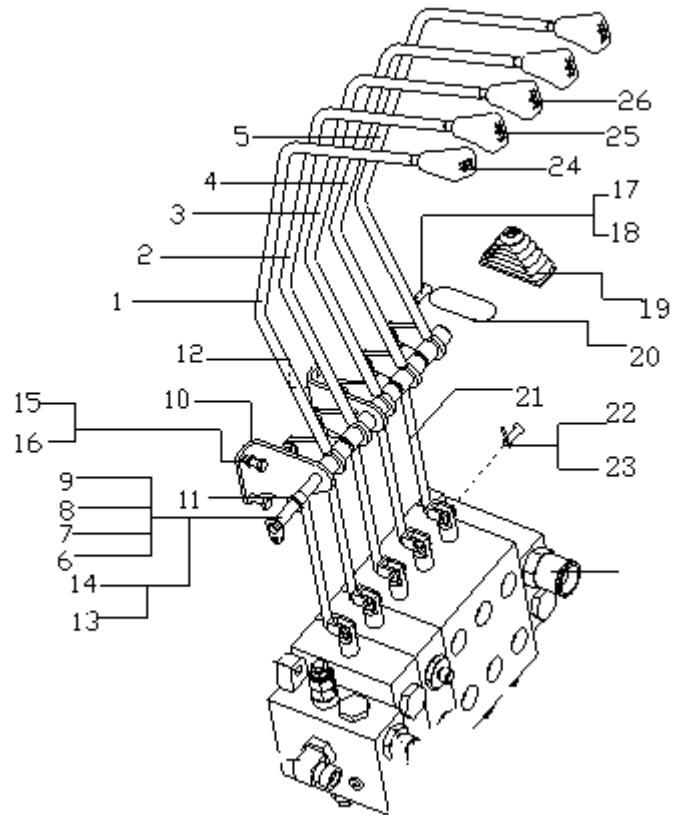


图7 多路阀操纵  
Fig. 7 Multi-way valve control

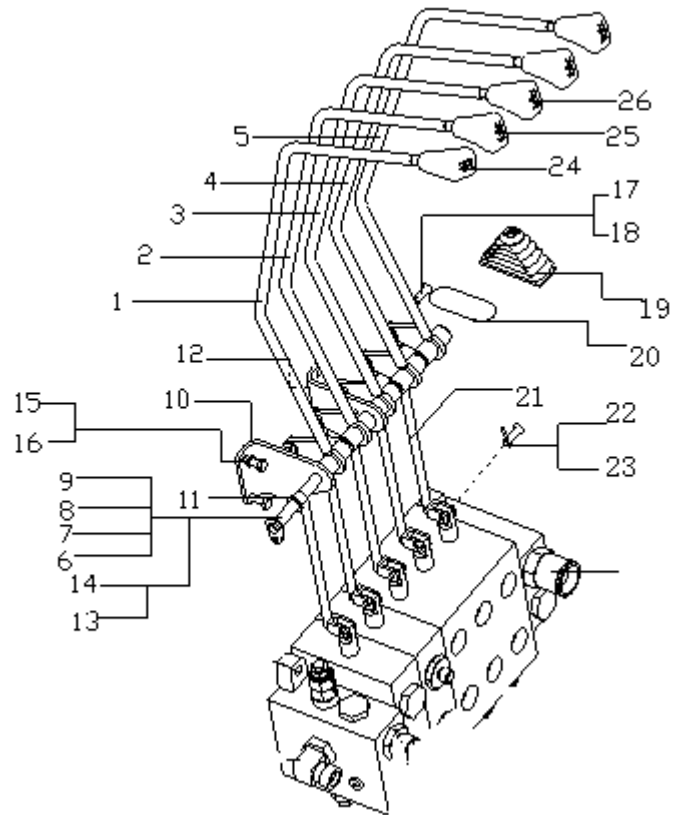
全部车型  
All model of truck



序号 Item	代号 Part No.	名称 Description	数量 Qty	备注或适用车型 Remarks or Serial No.	原物料码 Original Part No.
1	206400160133	多路阀操纵手柄 1 Operating handle 1	1		XR460-611100-000
2	206400160137	多路阀操纵手柄 2 Operating handle 2	1		XR460-611200-000
3	206400160140	多路阀操纵手柄 3 Operating handle 3	1	三联,四联,五联 3 SEC, 4 SEC, 5 SEC	XR460-611300-000
4	206400160143	多路阀操纵手柄 4 Operating handle 4	1	四联,五联 4 SEC, 5 SEC	XR460-611400-000
6	310100200012	销轴 PIN SHAFT	1	二联用 2 SEC	GA700-611040-000
7	310100200013	销轴 PIN SHAFT	1	三联用 3 SEC	GA700-611050-000
8	310100200011	销轴 PIN SHAFT	1	四联用 4 SEC,	GA700-611060-000
10	206400220159	左支架 Left bracket	1		XR460-611001-000
11	206400050008	衬套 BUSH	4	三联 6,四联 8,五联 10 3 SEC 6, 4 SEC 8, 5 SEC 10	N163-612001-000
12	206400220161	右支架 Right bracket	1		XR700-611007-000
13	300010040145	螺栓 M6×12 Bolt M6×12	1		G005783-006012-00
14	300030010014	垫圈 6 Washer 6	1		G000093-000006-00
15	300010070025	螺栓 M8×20 Bolt M8×20	4		G005787-008020-00
16	206400200004	轴环 Shaft collar	1	仅二联阀用 Only for 2 SEC	N163-612002-000
17	206400050008	衬套 Bush	4	三联 6 ,3 SEC 6 四联 8, 4 SEC 8	N163-612001-000

图7 多路阀操纵  
Fig. 7 Multi-way valve control

全部车型  
All model of truck



序号 Item	代号 Part No.	名称 Description	数量 Qty	备注或适用车型 Remarks or Serial No.	原物料码 Original Part No.
18	300050010017	销 2×16 Pin 2×16	6	Qty :3 SEC 9, 4 SEC 12,5 SEC 15	G000091-002016-00
19	206400090012	护套 Jacket	2	三联 3,四联 4,五联 5 3 SEC 3, 4 SEC 4, 5 SEC5	XR310-610005-000
20	206400140002	塞子 Plug	3	三联 2,四联 1, 3 SEC 2, 4 SEC 1,	XF250-610004-000
21	206400100248	连杆 CONNECTOR ROD	2	三联 3,四联 4,五联 5 3 SEC 3, 4 SEC 4, 5 SEC5	XR460-612500-000
22	300050040015	销轴 B8×24 Pin roll B8×24	2	三联 3,四联 4,五联 5 3 SEC 3, 4 SEC 4, 5 SEC5	G000882-008024-00
23	300050010026	销 3.2×18 PIN 3.2×18	2	三联 3,四联 4,五联 5 3 SEC 3, 4 SEC 4, 5 SEC5	G000091-3P2018-00

图8 多路阀总成  
Fig.8 Multi-way valve assy

全部车型  
All models of truck

序号 Item	物料码 Part NO.	名称 Description	数量 Qty	备注或适用车型 Remarks Or Serial NO.	原物料码 Original Part No.
1	206200010052	多路阀 Valve	1	二联多路阀、三联多路阀 2 Sec. Valve, 3 Sec. valve	R450-610003-000
1	206200010059	二联多路阀 2 Sec. valve	1		R450-610004-000
1	206200010066	三联多路阀 3 Sec. valve	1		R450-610005-000
2	300130010164	O形密封圈 19×2.4 O-ring	1		G001235-001902P4-00
3	310050020702	接头体 Connector	1		R450-610101-000
4	206100040002	缓冲垫 Amortizing cushion	8		R450-610001-000
5	206400180008	套管 Thimble	4		R450-610002-000
6	300030040003	垫圈 12 Washer	4		G0097P1-000012-00
7	300010030042	螺栓 M12×65 Bolt	4		G005782-012065-00
8	300030010002	垫圈 12 Washer	4		G000093-000012-00
9	300020010004	螺母 M12 Nut	4		G006170-000012-00
10	300130010117	O形密封圈 35×3.5 O-ring	1		G001235-003503P5-00
11	206500100011	管接头 Connector	3		50DH-710200
12	310050020854	直通管接头 Nipple	2	三联 4、四联 6 3 SEC4, 4 SEC 6	40DH-600016
13	300130010127	O形密封圈 32×3.5 O-ring	4	三联 6、四联 8 3 SEC6, 4 SEC 8	G001235-003203P5-00

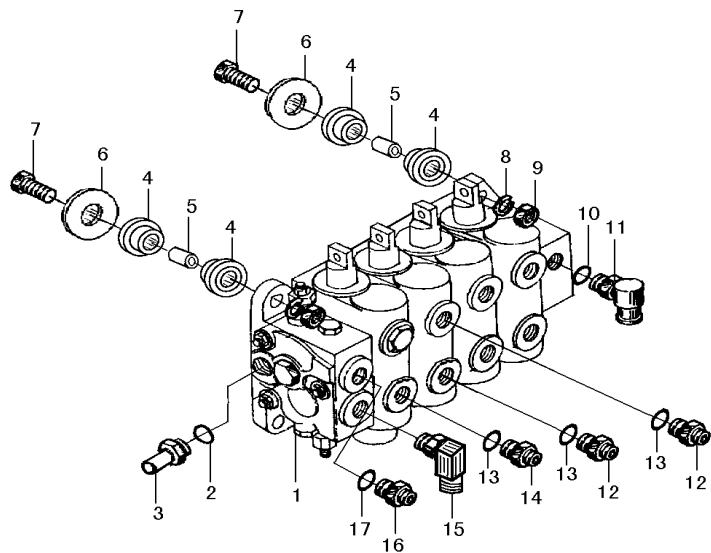


图8 多路阀总成  
Fig.8 Multi-way valve assy

全部车型  
All models of truck

序号 Item	物料码 Part NO.	名称 Description	数量 Qty	备注或适用车型 Remarks Or Serial NO.	原物料码 Original Part No.
	14	管接头 Connector	1		XR460-611011-000
	15	管接头 Elbow	1		R450-611000-000
	16	直通管接头 Nipple	1		R450-610300-000
	17	O形密封圈 30×3.5 O-ring	1		G001235-003003P5-00

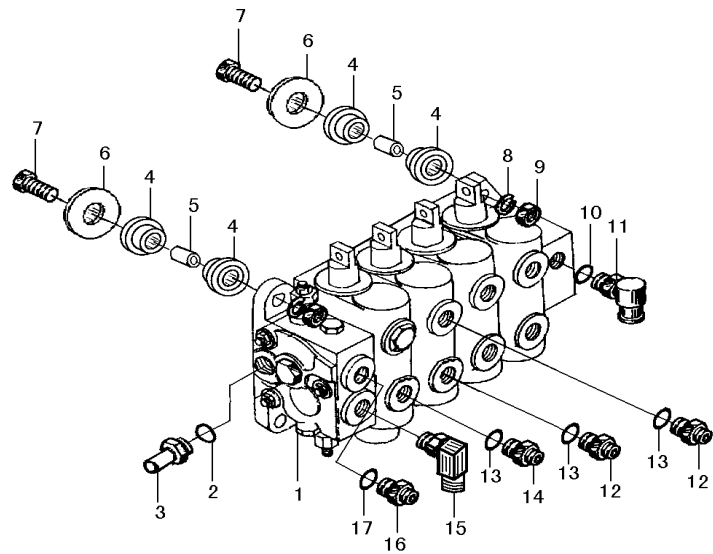


图9 倾斜管路  
Fig.9 Tilting oil pipe

全部车型  
All models of truck

序号 Item	物料码 Part NO.	名称 Description	数量 Qty	备注或适用车型 Remarks Or Serial NO.	原物料码 Original Part No.
1	310050030013	90度管接头 Elbow	4		40DH-600200
2	206300082313	胶管总成 Rubber pipe assy	1		XR460-620500-000
3	206300082316	胶管总成 Rubber pipe assy	1		XR460-620600-000
4	206300050006	橡胶固定块 Insulator	1		R450-620001-000
5	206300050003	固定夹 Clamp	1		R450-620002-000
6	300030010015	垫圈 8 Washer	2		G000093-000008-00
7	300010040169	螺栓 M8×16 Bolt	2		G005783-008016-00
8	206300100105	倾斜钢管 2 Steal pipe	1		XR460-620200-000
9	206300100104	倾斜钢管 1 Steal pipe	1		XR460-620100-000
10	206300082315	胶管总成 Rubber pipe assy	1		XR460-620400-000
11	206300082314	胶管总成 Rubber pipe assy	1		XR460-620300-000

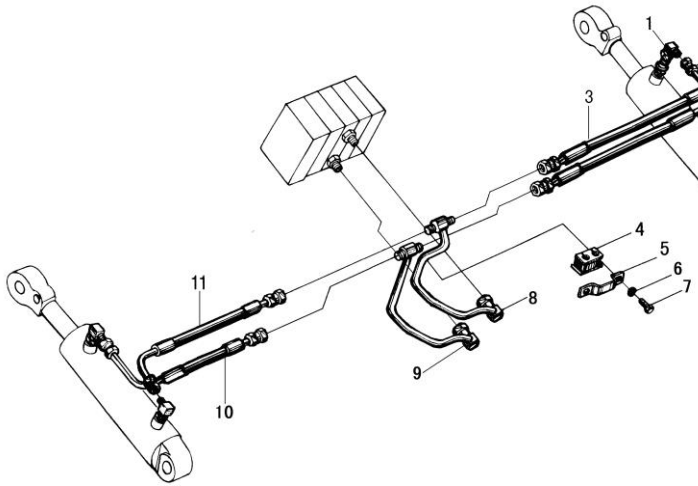




图 10 助力器油路  
Fig.10 Booster oil circuit

Ⓔ CPCD40/45-XRW34    Ⓕ CPCD50-XRXW34    Ⓖ CPCD40/45-XRW35    Ⓖ CPCD50-XRXW35  
Ⓖ CPCD40/45-XRW76    Ⓖ CPCD50-XRXW76    Ⓖ CPQYD40/45-XRW57    Ⓖ CPQYD50-XRXW57

序号 Item	物料码 Part No.	名称 Description	数量 Qty	备注或适用车型 Remarks or Serial No.	原物料码 Original Part No.
1	209990004050	低压胶管 Low pressure hose	1		R450-640001-W00
1	209990004069	低压胶管 Low pressure hose	1		GW480-640001-W00
2	209990000495	双钢丝式环箍18 Clamp 18	2		Q672-18-G00
3	206300120052	硬管总成 Hard pipe assy	1		R450-640100-000
4	206300082051	胶管总成 Hose	1		R450-640200-000
4	206300082193	胶管总成 Hose	1		GW480-640200-000
5	310040010072	管夹 Clip	3		N163-540002-000
6	300010040169	螺栓 M8×16 Bolt M8×16	3		G005783-008016-00
7	300030010015	垫圈 8 Washer 8	3		G000093-000008-00
8	300030040014	垫圈 8 Washer 8	3		G0097P1-000008-00

