

第一部分 传动系统目录
Part I Driving system contents

Ⓐ CPCD30/35-XRG71	Ⓐ ³ CPC30/35/38-XRG71	Ⓑ CPCD30/35/38-XRG72	Ⓑ ² CPCD30/35/38-XRG72F	Ⓑ ³ CPC30/35/38-XRG72
Ⓑ ⁴ CPCD30/35/38-XRG72J	Ⓑ ⁵ CPC30/35/38-XRG72J	Ⓒ CPCD30-XRW10	Ⓒ ¹ CPCD30-XRW10B	Ⓒ ² CPCD30-XRW10F
Ⓒ ³ CPC30-XRW10	Ⓓ ¹ CPCD30/35/38-XRW33B	Ⓓ ² CPCD30/35/38-XRW33F	Ⓔ CPCD30/35-XRW43	Ⓕ CPCD30/35/38-XRW73
Ⓔ ¹ CPCD30/35/38-XRW55B	Ⓔ ² CPCD30/35/38-XRW55F	Ⓔ ³ CPC30/35/38-XRW55	Ⓕ ¹ CPCD30/35-XRW56	Ⓕ ¹ ¹ CPCD30/35/38-XRW56B
Ⓕ ² CPCD30/35/38-XRW56F	Ⓖ ¹ CPQD30/35/38-XRW22	Ⓖ ¹ ¹ CPQD30/35/38-XRW22B	Ⓖ ¹ CPQYD30/35/38-XRW22	Ⓖ ¹ CPD30/35/38-XRG2
Ⓖ ² CPCD30/35/38-XRW92F	Ⓖ ² CPQD30/35/38-XRW22F	Ⓖ ² CPQYD30/35/38-XRW22F	Ⓖ ² CPYD30/35/38-XRW52F	Ⓖ ² CPCD30/35/38-XRG72JF
Ⓖ ² ¹ CPQYD30/35/38-XRW22B	Ⓖ ² CPCD30/35/38-XRW43F	Ⓖ ² CPCD30/35/38-XRW43B	Ⓖ ² CPCD30/35/38-XRG92	Ⓖ ² CPC30/35/38-XRG92

序号 Item	名称 Description	适用车型 Serial No.	页码 Page
图 1 Fig. 1	前轮（单轮） Front wheel（Single tyre）	3.0t-3.8t 全部车型/All models of truck	1-1
图 2 Fig. 2	前轮（双轮） Front wheel（Double tyre）	3.0t-3.8t 全部车型/All models of truck	1-2
图 3 Fig. 3	传动系统 Driving system	Ⓐ Ⓑ Ⓑ ⁴ Ⓒ Ⓔ Ⓕ ¹ Ⓖ ¹ Ⓖ ²	1-4
图 4 Fig. 4	冷却油管总成 Cooling oil pipe assy	Ⓐ Ⓑ Ⓑ ⁴ Ⓒ Ⓔ Ⓕ ¹ Ⓖ ¹ Ⓖ ²	1-6
图 5 Fig. 5	传动系统 Driving system	Ⓒ ¹ Ⓓ ¹ Ⓔ ¹ Ⓕ ¹ Ⓖ ¹ Ⓖ ² Ⓖ ² ¹	1-7
图 6 Fig.6	冷却油管总成 Cooling oil pipe assy	Ⓒ ¹ Ⓓ ¹ Ⓔ ¹ Ⓕ ¹ Ⓖ ¹ Ⓖ ² Ⓖ ² ¹	1-9

序号 Item	名称 Description	适用车型 Serial No.	页码 Page
图 7 Fig. 7	传动系统 Driving system	ⓑ2 Ⓒ2 Ⓓ2 Ⓔ2 Ⓕ2 Ⓖ2 Ⓗ2 Ⓘ2 Ⓡ2 Ⓢ2 Ⓣ2 Ⓤ2 Ⓦ2 Ⓧ2 Ⓨ2	1-10
图 8 Fig.8	冷却油管总成 Cooling oil pipe assy	ⓑ2 Ⓒ2 Ⓓ2 Ⓔ2 Ⓕ2 Ⓖ2 Ⓗ2 Ⓘ2 Ⓡ2 Ⓢ2 Ⓣ2 Ⓤ2 Ⓦ2 Ⓧ2 Ⓨ2	1-11
图 9 Fig. 9	传动系统 Driving system	Ⓐ3 Ⓑ3 Ⓓ5 Ⓒ3 Ⓔ3	1-12
图 10 Fig. 10	离合器（机械式） Clutch(clutch type)	Ⓐ3 Ⓑ3 Ⓒ3 Ⓓ5 Ⓔ3	1-13
图 11 Fig.11	驱动桥 Drive axle	除外/except Ⓒ1 Ⓓ1 Ⓔ1 Ⓕ1 Ⓖ1 Ⓗ1 Ⓘ1 Ⓡ1 Ⓒ2 Ⓓ2 Ⓔ2 Ⓕ2 Ⓖ2 Ⓗ2 Ⓘ2 Ⓡ2 Ⓔ2	1-16
图 12 Fig.12	驱动桥 Drive axle	Ⓒ1 Ⓓ1 Ⓔ1 Ⓕ1 Ⓖ1 Ⓗ1 Ⓘ1 Ⓡ1 Ⓔ1	1-20
图 13 Fig.13	驱动桥 Drive axle	ⓑ2 Ⓒ2 Ⓓ2 Ⓔ2 Ⓕ2 Ⓖ2 Ⓗ2 Ⓘ2 Ⓡ2 Ⓢ2 Ⓣ2 Ⓤ2 Ⓦ2 Ⓧ2 Ⓨ2	1-23
图 14 Fig. 14	左制动器总成 Brake assy,LH	3.0t-3.8t 全部车型 All models of truck	1-26
图 15 Fig. 15	右制动器总成 Brake assy,RH	3.0t-3.8t 全部车型 All models of truck	1-29
图 16 Fig. 16	变速箱（液力式）绍兴 Transmission(tor-con type) ShaoXin	1.0t-3.8t XYQXD 系列液力变速箱 XYQXD Series Hydrodynamic Gearbox	1-32
图 17 Fig. 17	液力离合器（液力式）绍兴 Hydraulic clutch(tor-con type) ShaoXin	1.0t-3.8t XYQXD 系列液力变速箱 XYQXD Series Hydrodynamic Gearbox	1-37
图 18 Fig. 18	盖、控制阀、微动阀（液力式）绍兴 Cover control valve & inching valve(tor-con type) ShaoXin	1.0t-3.8t XYQXD 系列液力变速箱 XYQXD Series Hydrodynamic Gearbox	1-39
图 19 Fig. 19	供油泵（液力式）绍兴 Charging pump(tor-con type) ShaoXin	1.0t-3.8t XYQXD 系列液力变速箱 XYQXD Series Hydrodynamic Gearbox	1-42
图 20 Fig. 20	减速器和差速器（绍兴） Reduction & differential (ShaoXin)	1.0t-3.8t 全部车型 All models of truck	1-43
图 21 Fig. 21	变速器(机械式 其 1) 绍兴 ShaoXin Transmission(clutch type part-1)	1.0t-3.8t , XJDS 系列机械变速箱 XJDS Series Mechanical Gearbox	1-47

序号 Item	名称 Description	适用车型 Serial No.	页码 Page
图 22 Fig. 22	变速器(机械式 其 2) 绍兴 ShaoXin Transmission(clutch type part-2)	1.0t-3.8t , XJDS 系列机械变速箱 XJDS Series Mechanical Gearbox	1-49
图 23 Fig. 23	主轴组件 (绍兴) Spindle assy (ShaoXin)	1.0t-3.8t , XJDS 系列机械变速箱 XJDS Series Mechanical Gearbox	1-53
图 24 Fig. 24	液力变矩器总成 Torque converter assy	1.0-3.5t, Y43160X 液力传动变速箱 (冈村) Y43160X Hydrodynamic Transmission Gearbox (Okamura)	1-55
图 25 Fig. 25	变速箱 (其 1) Transmission (part-1)		1-56
图 26 Fig. 26	变速箱 (其 2) Transmission (part-2)		1-60
图 27 Fig.27	变速箱 (其 3) Transmission (part-3)		1-62
图 28 Fig.28	控制阀 Control Valve		1-64
图 29 Fig.29	3.0-3.5t 主减速器·差速器总成 3.0-3.5t Reduction & Differential		3.0-3.5t Y43160X 液力传动变速箱 (冈村) Hydrodynamic Transmission Gearbox (Okamura)
图 30 Fig. 30	变速箱 (其 1) (包括变矩器、油泵、离合器) Transmission (part-1) (includeTorque-converter pump Clutch)	1.0-3.5t XYQXF 系列液力传动变速箱 (绍兴) XYQXF Series Hydrodynamic Transmission Gearbox (SHAOXIN)	1-71
图 31 Fig. 31	变速箱 (其 2) (包括变矩器、油泵、离合器) Transmission (part-2) (includeTorque-converter pump Clutch)		1-74
图 32 Fig.32	变速箱 (其 3) (包括变矩器、油泵、离合器) Transmission (part-3) (includeTorque-converter pump Clutch)		1-76
图 33 Fig.33	电磁控制操纵阀 Electro-hydraulic operating valve		1-79
图 34 Fig.34	减速器总成 Reduction assy		1-81
	变速箱密封 (修理) 工具包 Transmission repair kits		1.0-3.5t XYQXF 液力传动变速箱 (绍兴) Hydrodynamic Transmission Gearbox (SHAOXIN)
图 35 Fig.35	传动系统 Driving system	Ⓕ	1-86

序号 Item	名称 Description	适用车型 Serial No.	页码 Page
图 36 Fig.36	冷却油管总成 Cooling oil pipe assy	Ⓔ	1-88

图 1 前轮 (单轮)
Fig.1 Front wheel (Single tyre)

3.0t-3.8t
全部车型 All models of truck

	序号 Item	物料码 Part No.	名称 Description	数量 Qty	备注或适用车型 Remarks or Serial No.	原物料码 Original Part No.
	A1	20150000283	前轮总成(单轮) Front wheel assy	2	INC:1-2 充气轮胎 Inflated tyre	XR310-150000-000
	1	201500040205	轮辋总成 Rim-assy	2	红色 Red	XR310-151000-000
	2	300150010072	实心轮胎 28×9-15 Solid Tyre 28×9-15	2	实心轮胎 Solid Tyre	GT10823-2800915-00
	2	300150040045	充气轮胎 28×9-15-14PR Inflated tyre	2	充气轮胎 Inflated tyre	GT02982-280091514-05
	3	201100080004	轮毂螺母 Nut, Hub	12		N163-110015-000
	4	300150010073	无痕轮胎 28×9-15 Non-trace tyre 28× 9-15	2	选配 Optional 实心轮胎 Solid Tyre	GT10823-2800915-02
	5	201100020014	轮毂螺栓 Bolt, Hub	12	单轮 Single tyre	N163-110014-000

图 2 前轮 (双轮)
Fig.2 Front wheel (Double tyre)

3.0t-3.8t
全部车型/All models of truck

序号 Item	物料码 Part No.	名称 Description	数量 Qty	备注或适用车型 Remarks or Serial No.	原物料码 Original Part No.
A1	20150000311	内前轮总成(双轮) Inner front wheel assy(double)	2	INC.1,4 充气轮胎 Inflated tyre	XR310-150000-500
A2	20150000312	外前轮总成(双轮) Outer front wheel assy(double)	2	INC1,2 充气轮胎 Inflated tyre	XR310-150000-501
1	300150010072	实心轮胎 28×9-15 Solid Tyre 28×9-15	4	实心轮胎 Solid Tyre	GT10823-2800915-00
1	300150040045	充气轮胎 28×9-15-14PR Inflated tyre	4	充气轮胎 Inflated tyre	GT02982-280091514-05
2	201500060149	外轮辋总成 Outer Rim-assy	2	红色 Red	XR310-151000-501
3		隔套 Ring	2	3t-3.8t 无此零件 3t-3.8t Not the part	
4	201500060148	内轮辋总成 Inner Rim-assy	2	红色 Red	XR310-151000-500
5	204002010184	左挡泥板 Fender Left	1		XR310-460001-500
5	204002010185	右挡泥板 Fender Right	1		XR310-460002-500
6	300010040040	螺栓 M12×45 Bolt M12×45	8		G005783-012045-00
7	300030010002	垫圈 12 Washer 12	8		G000093-000012-00
8	300020010004	螺母 M12 Nut M12	8		G006170-000012-00
9	201500050009	气门接长管 Extension tube	2	充气轮胎 Inflated tyre	50CDA-210001

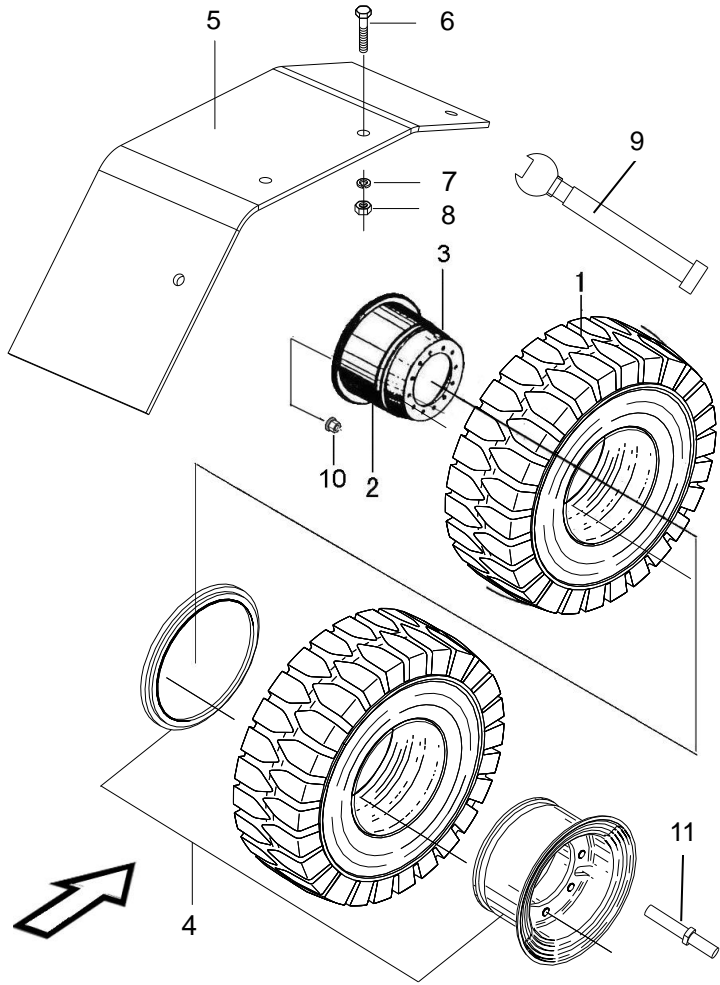
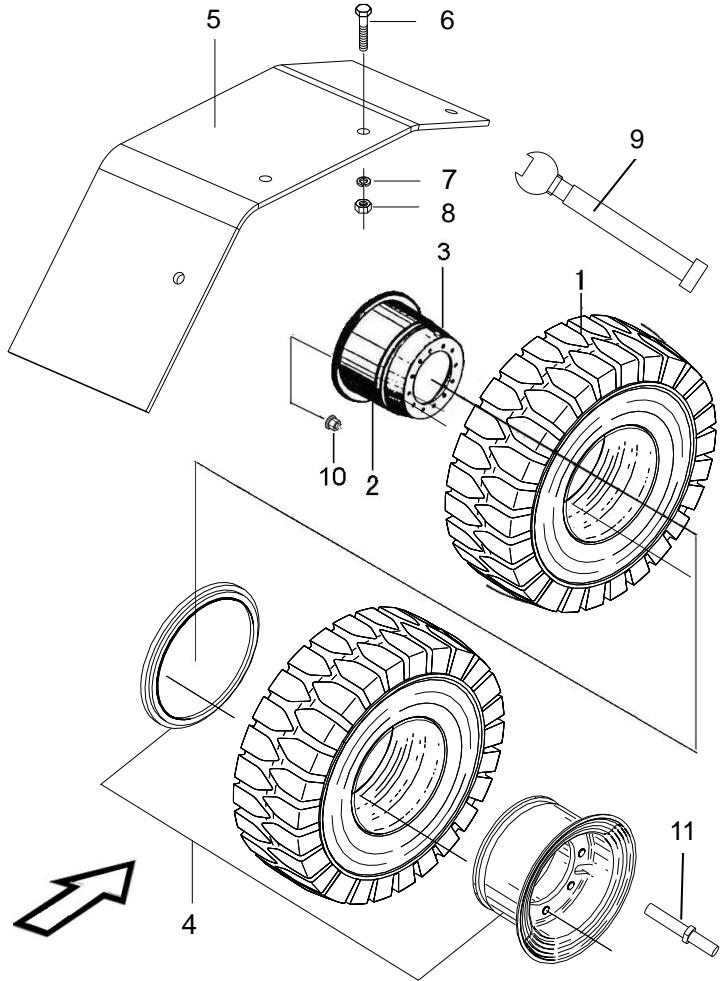


图 2 前轮 (双轮)
Fig.2 Front wheel (Double tyre)

3.0t-3.8t
全部车型/All models of truck



序号 Item	物料码 Part No.	名称 Description	数量 Qty	备注或适用车型 Remarks or Serial No.	原物料码 Original Part No.
10	201100080004	轮毂螺母 Nut, Hub	12		N163-110015-000
11	201100020019	轮毂螺栓 Bolt, Hub	12	双轮 Double tyre	N163-110001-500

图3 传动系统
Fig.3 Driving system

Ⓐ CPCD30/35/38-XRG71 Ⓑ CPCD30/35/38-XRG72 Ⓔ CPCD30/35/38-XRG72J Ⓒ CPCD30-XRW10
 Ⓔ CPCD30/35/38-XRW43 Ⓕ CPCD30/35/38-XRW56 Ⓖ CPQD30/35/38-XRW22 Ⓖ CPQYD30/35/38-XRW22
 Ⓖ CPCD30/35/38-XRG2 Ⓖ CPCD30/35/38-XRG92

序号 Item	物料码 Part No.	名称 Description	数量 Qty	备注或适用车型 Remarks or Serial No.	原物料码
					Original Part No.
1	见图 11 See Fig.11	驱动桥总成 Drive axle assy	1		
2	810120000147	1598H 密封胶 1598H Salant	1		159895
3	300050100009	销 B10×25 Pin B10×25	1		G000120-010025-01
4	300030010002	垫圈 12 Washer12	12		G000093-000012-00
5	300010040037	螺栓 M12×40 Bolt M12×40	10		G005783-012040-00
6	300010040033	螺栓 M12×30 Bolt M12×30	2		G005783-012030-00
7	201200000362	液力变速箱 XYQXD30A Hydraulic transmission	1	Ⓐ Ⓑ Ⓔ Ⓖ	XR310-120000-G00
7	201200000363	液力变速箱 XYQXD30 Hydraulic transmission	1	Ⓒ Ⓔ Ⓕ Ⓖ Ⓖ	XR311-120000-G00
8	300030010001	垫圈 10 Washer10	9	Ⓐ Ⓑ Ⓔ Ⓖ	G000093-000010-00
8	300030010001	垫圈 10 Washer10	8	Ⓔ Ⓕ Ⓖ Ⓖ Ⓒ	G000093-000010-00
9	300010040013	螺栓 M10×35 Bolt M10×35	9	Ⓐ Ⓑ Ⓔ Ⓖ	G005783-010035-00
9	300010040013	螺栓 M10×35 Bolt M10×35	8	Ⓔ	G005783-010035-00
9	300010060011	螺栓 M10×1.25×35 Bolt M10×1.25×35	7	Ⓒ Ⓕ	G005786-010035-00
9	300010030014	螺栓 M10×45 Bolt M10×45	6	Ⓖ Ⓖ	G005782-010045-00
10	300010030015	螺栓 M10×50 Bolt M10×50	1	Ⓒ	G005782-010050-00

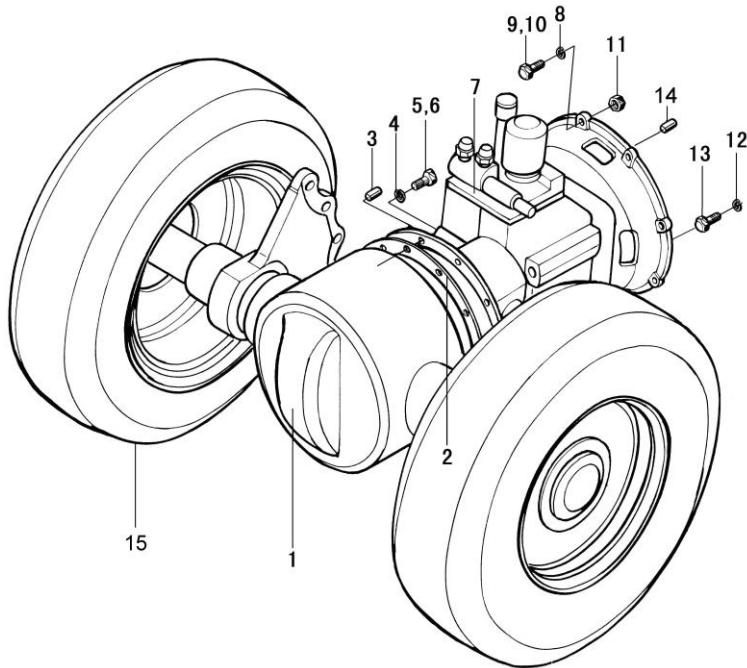
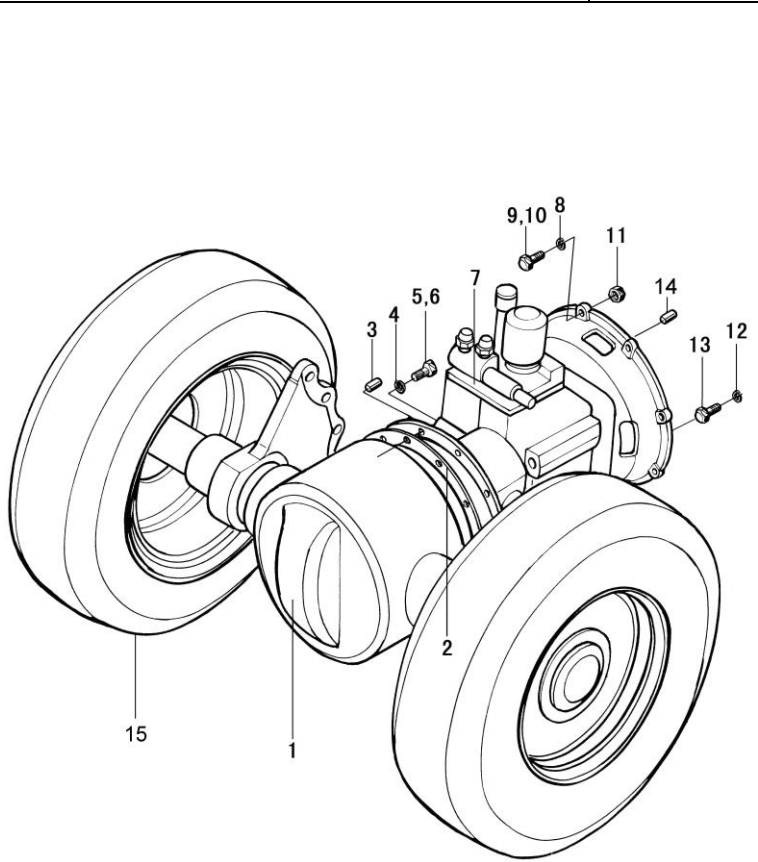


图3 传动系统
Fig.3 Driving system

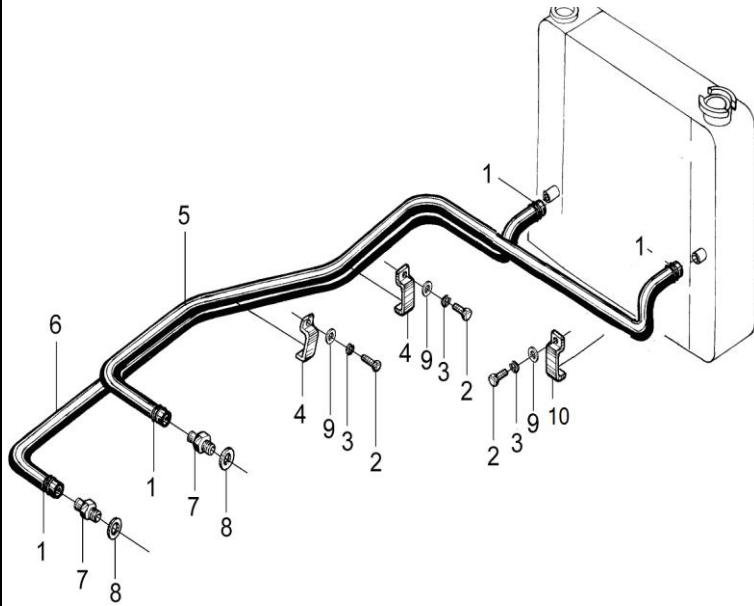
Ⓐ CPCD30/35/38-XRG71 Ⓑ CPCD30/35/38-XRG72 Ⓔ CPCD30/35/38-XRG72J Ⓒ CPCD30-XRW10
 Ⓔ CPCD30/35/38-XRW43 Ⓕ CPCD30/35/38-XRW56 Ⓖ CPQD30/35/38-XRW22 Ⓖ CPQYD30/35/38-XRW22
 Ⓖ CPCD30/35/38-XRG2 Ⓖ CPCD30/35/38-XRG92



序号 Item	物料码 Part No.	名称 Description	数量 Qty	备注或适用车型 Remarks or Serial No.	原物料码 Original Part No.
10	300010030014	螺栓 M10×45 Bolt M10×45	1	Ⓕ	G005782-010045-00
10	300010040013	螺栓 M10×35 Bolt M10×35	2	Ⓖ Ⓖ	G005783-010035-00
11	300020010006	螺母 M10 Nut M10	1	Ⓒ Ⓕ	G006170-000010-00
11	300020010006	螺母 M10 Nut M10	6	Ⓖ Ⓖ	G006170-000010-00
12	300030010015	垫圈 8 Washer 8	6	Ⓐ Ⓑ Ⓔ Ⓖ	G000093-000008-00
12	300030010015	垫圈 8 Washer 8	12	Ⓒ Ⓔ Ⓕ Ⓖ Ⓖ	G000093-000008-00
13	300010040177	螺栓 M8×25 Bolt M8×25	12	Ⓐ Ⓑ Ⓔ Ⓖ	G005783-008025-00
13	300010040173	螺栓 M8×20 Bolt M8×20	12	Ⓒ Ⓔ Ⓕ Ⓖ Ⓖ	G005783-008020-00
14	300050100001	销 B10×35 Pin B10×35	1	Ⓐ Ⓑ Ⓔ Ⓖ	G000120-010035-00
15	见图 1 See Fig.1	前轮总成(单轮) front wheel assy (Single)	2		
15	见图 2 See Fig.2	内前轮总成(双轮)Inner front wheel assy(double)	2		
15	见图 2 See Fig.2	外前轮总成(双轮)Outer front wheel assy(double)	2		

图4 冷却油管总成
Fig.4 Cooling oil pipe assy

Ⓐ CPCD30/35/38-XRG71 Ⓑ CPCD30/35/38-XRG72 Ⓔ CPCD30/35/38-XRG72J Ⓒ CPCD30-XRW10
 Ⓓ CPCD30/35/38-XRG2 Ⓔ CPCD30/35/38-XRW43 Ⓕ CPCD30/35/38-XRW56 ① CPQD30/35/38-XRW22
 Ⓖ CPQYD30/35/38-XRW22 Ⓖ CPCD30/35/38-XRG92



序号 Item	物料码 Part No.	名称 Description	数量 Qty	备注或适用车型 Remarks or Serial No.	原物料码 Original Part No.
A1	201600000099	冷却油管总成 Oil coolingpipe assy	1		XR310-140000-000
1	209990000879	蜗杆传动式软管环箍 25 Clamp 25	4		Q675-25-G00
2	300010040165	螺栓 M8×12 Bolt M8×12	4		G005783-008012-00
3	300030010015	垫圈 8 Washer 8	4		G000093-000008-00
4	310040010149	抱箍 Clamp	2		N160-110002-000
5	209990004237	胶管 L=1980 Rubber pipe	1		XR310-140002-000
6	209990004219	胶管 L=1400 Rubber pipe	1		XR310-140001-000
7	310050080012	回油管接头 Connector	2		N160-110001-000
8	300030140003	垫圈 14 Washer	2		J000982-000014-00
9	300030040014	垫圈 8 Washer 8	4		G0097P1-000008-00
10	310040010073	管夹 Clamp	1		H510-500001-000

图5 传动系统
Fig. 5 Driving system

Ⓒ) CPCD30-XRW10B
Ⓓ) CPCD30/35/38-XRW56B
Ⓙ) CPQYD30/35/38-XRW22B

Ⓚ) CPCD30/35/38-XRW33B
Ⓛ) CPQD30/35/38-XRW22B

Ⓜ) CPCD30/35/38-XRW55B
Ⓝ) CPCD30/35/38-XRW43B

序号 Item	物料码 Part No.	名称 Description	数量 Qty	备注或适用车型 Remarks or Serial No.	原物料码 Original Part No.
1	201100000450	驱动桥总成 Drive axle assy	1	见图12 See Fig.12	XRB317-110000-000
2	300010060028	螺栓 M12×1.25×35 Bolt M12×1.25×35	14		G005786-012035-00
3	300030010002	垫圈 12 Washer 12	26		G000093-000012-00
4	201100210004	主传动箱 Host drive housing	1	2t-2.5t 见图 27 See Fig.27	Y48150X-000-G00
5	300010050009	螺栓 M10×1.25×50 Bolt M10×1.25×50	8		G005785-010050-04
6	300030010001	垫圈 10 Washer 10	16		G000093-000010-00
7	201200010004	翼形联轴器总成 Cardan assy	1	见图23 序号3 See Fig.23 Item3	R561-130000-000
8	300030010015	垫圈 8 Washer 8	12		G000093-000008-00
9	300010040173	螺栓 M8×20 Bolt M8×20	12		G005783-008020-00
10	300030010001	螺栓 M10×1.25×35 Bolt M10×1.25×35	7	Ⓒ) Ⓓ) Ⓔ)	G000093-000010-00
10	300030010001	螺栓 M10×1.25×35 Bolt M10×1.25×35	8	Ⓜ)	G000093-000010-00
10	300030010001	螺栓 M10×1.25×35 Bolt M10×1.25×35	2	Ⓛ) Ⓚ)	G000093-000010-00
11	300010030015	螺栓 M10×50 Bolt M10×50	1	Ⓒ)	G005782-010050-00
11	300010030014	螺栓 M10×45 Bolt M10×45	1	Ⓓ) Ⓔ)	G005782-010045-00

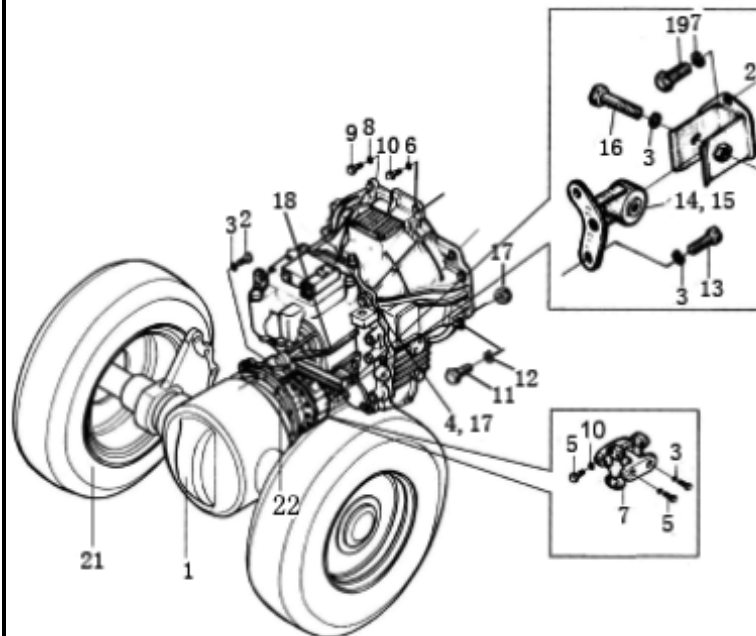


图5 传动系统
Fig.5 Driving system

Ⓒ) CPCD30-XRW10B
Ⓗ) CPCD30/35/38-XRW56B
Ⓙ) CPQYD30/35/38-XRW22B

Ⓓ) CPCD30/35/38-XRW33B
Ⓛ) CPQD30/35/38-XRW22B

Ⓢ) CPCD30/35/38-XRW55B
ⓔ) CPCD30/35/38-XRW43B

序号 Item	物料码 Part No.	名称 Description	数量 Qty	备注或适用车型 Remarks or Serial No.	原物料码 Original Part No.
11	300010030014	螺栓 M10×45 Bolt M10×45	6	Ⓛ) Ⓢ)	G005782-010045-00
12	300020010006	螺母 M10 Nut M10	1	Ⓒ) Ⓓ) Ⓗ)	G006170-000010-00
12	300020010006	螺母 M10 Nut M10	6	Ⓛ) Ⓢ)	G006170-000010-00
13	300010050014	螺栓 M12×1.25×40 Bolt M12×1.25×40	6		G005785-012040-00
14	201200070016	左减震垫 Left shock pad	1		K91331-30031-G00
15	201200070015	右减震垫 Right shock pad	1		K91331-30041-G00
16	300010050019	螺栓 M12×1.25×90 Bolt M12×1.25×90	2		G005785-012090-00
17	201200000086	液力变速箱 Transmission	1	包含INC:Fig.22-26, 除外Except:Fig.23 Item 3	Y43160X-000-G00
18	207900040001	导线夹片 Wire Clip	1		N163-700011-000
19	300010060024	螺栓 M12×1.25×25 Bolt M12×1.25×25	4		G005786-012025-00
20	201200090005	支架 Bracket	2		R561-101000-000
21	见图1 See Fig.1	前轮总成(单轮) front wheel assy (Single)	2		
21	见图2 See Fig.2	内前轮总成(双轮)Inner front wheel assy(double)	2		
21	见图2 See Fig.2	外前轮总成(双轮)Outer front wheel assy(double)	2		
22	810120000147	1598H 密封胶 1598H Salant	1		

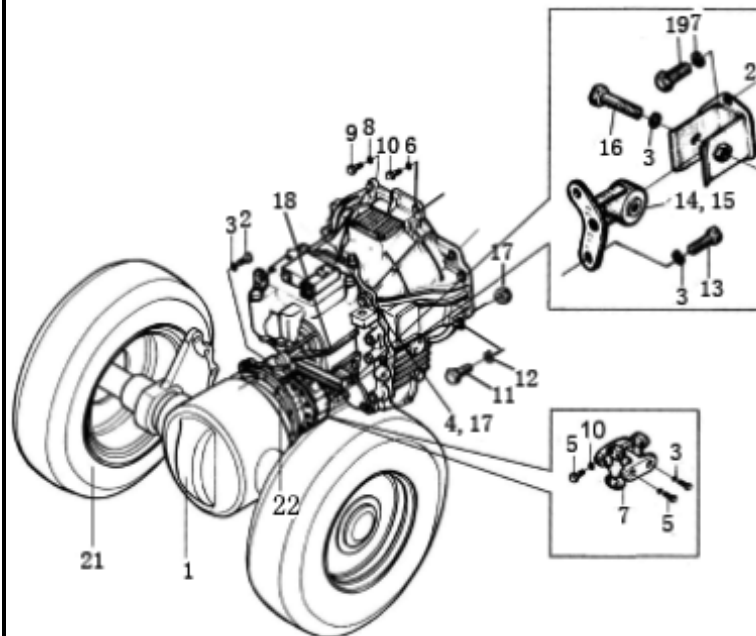


图 6 冷却油管总成
Fig.6 Cooling oil pipe assy

Ⓒ1 CPCD30-XRW10B
Ⓒ11 CPCD30/35/38-XRW56B
Ⓒ11 CPQYD30/35/38-XRW22B

Ⓒ11 CPCD30/35/38-XRW33B
Ⓒ11 CPQD30/35/38-XRW22B

Ⓒ11 CPCD30/35/38-XRW55B
Ⓒ11 CPCD30/35/38-XRW43B

序号 Item	物料码 Part No.	名称 Description	数量 Qty	备注或适用车型 Remarks or Serial No.	原物料码 Original Part No.
A	201600000118	冷却油管总成 Oil coolingpipe assy	1		XRB317-140000-000
1	209990000879	蜗杆传动式软管环箍 25 Clamp 25	4		Q675-25-G00
2	300010040165	螺栓 M8×12 Bolt M8×12	4		G005783-008012-00
3	300030010015	垫圈 8 Washer 8	4		G000093-000008-00
4	310040010149	抱箍 Clamp	2		N160-110002-000
5	201600060245	胶管 L=2050 Rubber pipe	1		XRB317-140001-000
6	201600060246	胶管 L=1480 Rubber pipe	1		XRB317-140002-000
7	310050080012	回油管接头 Connector	2		N160-110001-000
8	201600010003	铰接螺栓 link bolt	2		N040-110001-000
9	300030040014	垫圈 8 Washer 8	4		G0097P1-000008-00
10	310040010073	管夹 Clamp	1		H510-500001-000

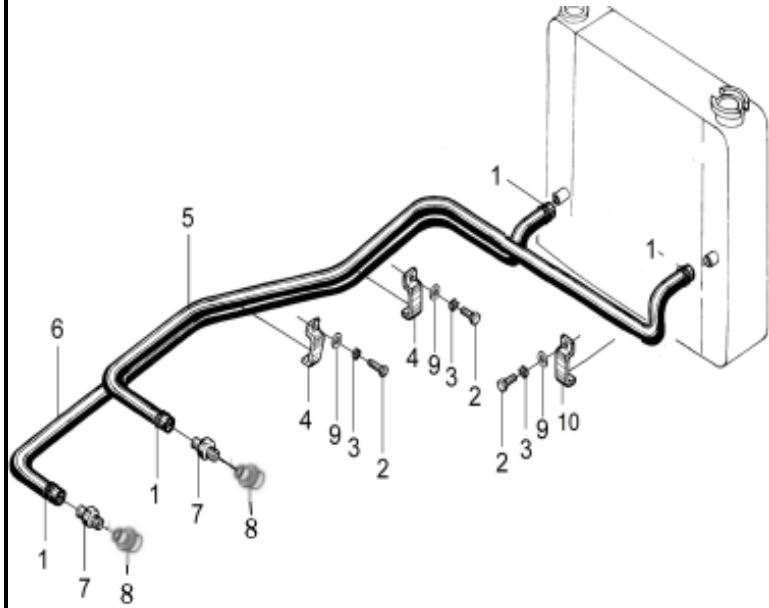
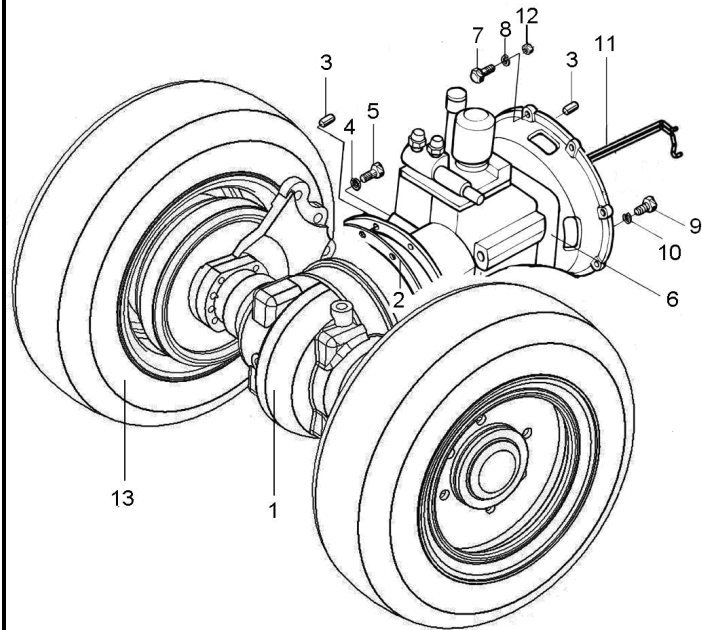


图7 传动系统
Fig.7 Driving system

ⓑ2 CPCD30/35/38-XRG72F
ⓐ2 CPCD30/35/38-XRW55F
ⓓ2 CPQD30/35/38-XRW22F
ⓑ6 CPCD30/35/38-XRG72JF

Ⓒ2 CPCD30-XRW10F
ⓗ2 CPCD30/35/38-XRW56F
ⓙ2 CPQYD30/35/38-XRW22F
Ⓔ2 CPCD30/35/38-XRW43F

ⓓ2 CPCD30/35/38-XRW33F
ⓓ2 CPCD30/35/38-XRW92F
ⓓ2 CPYD30/35/38-XRW52F



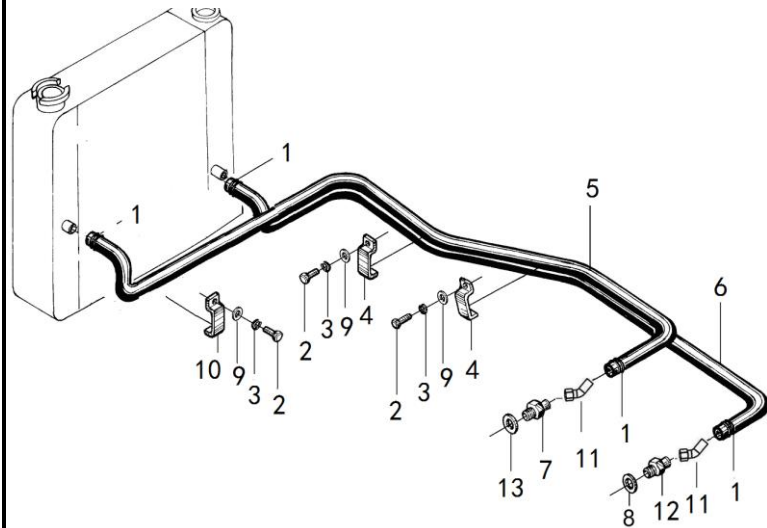
序号 Item	物料码 Part No.	名称 Description	数量 Qty	备注或适用车型 Remarks or Serial No.	原物料码 Original Part No.
1	见图 13 See Fig.13	驱动桥总成 Drive axle assy	1		
2	810120000147	1598H 密封胶 1598H Salant	1		159895
3	300050030053	销 D12×35 Pin D12×35	3		G000119-012035-03
4	300030010002	垫圈 12 Washer 12	13		G000093-000012-00
5	300010040036	螺栓 M12×35 Bolt M12×35	13		G005783-012035-01
6	见图 30-图 34 See Fig.30- Fig.34	液力变速箱 Hydraulic transmission box	1		
7	300010060012	螺栓 M10×1.25×35 Bol M10×1.25×35	7		
8	300030010001	垫圈 10 Washer 10	8		G005786-010035-04
9	300010040174	螺栓 M8×20 Bol M8×20	12		G000093-000010-00
10	300030010015	垫圈 8 Washer 8	12		G005783-008020-01
11	201600000117	冷却油管总成 Oil coolingpipe assy	1		G000093-000008-00
12	300020010006	螺母 M10 Nut M10	1		XRF310-140000-000
13	见图 1 See Fig.1	前轮总成(单轮) front wheel assy (Single)	2		
13	见图 2 See Fig.2	内前轮总成(双轮)Inner front wheel assy(double)	2		
13	见图 2 See Fig.2	外前轮总成(双轮)Outer front wheel assy(double)	2		

图 8 冷却油管总成
Fig.8 Cooling oil pipe assy

Ⓔ CPCD30/35/38-XRG72F
Ⓔ CPCD30/35/38-XRW55F
Ⓔ CPQD30/35/38-XRW22F
Ⓔ CPCD30/35/38-XRG72JF

Ⓔ CPCD30-XRW10F
Ⓔ CPCD30/35/38-XRW56F
Ⓔ CPQYD30/35/38-XRW22F
Ⓔ CPCD30/35/38-XRW43F

Ⓔ CPCD30/35/38-XRW33F
Ⓔ CPCD30/35/38-XRW92F
Ⓔ CPYD30/35/38-XRW52F



序号 Item	物料码 Part No.	名称 Description	数量 Qty	备注或适用车型 Remarks or Serial No.	原物料码 Original Part No.
A	201600000117	冷却油管总成 Oil cooling pipe assy	1		XRF310-140000-000
1	209990000879	蜗杆传动式软管环箍 25 Clamp 25	4		Q675-25-G00
2	300010040165	螺栓 M8×12 Bolt M8×12	4		G005783-008012-00
3	300030010015	垫圈 8 Washer 8	4		G000093-000008-00
4	310040010149	抱箍 Clamp	2		N160-110002-000
5	209990004237	胶管 L=1980 Rubber pipe	1		XR310-140002-000
6	209990004219	胶管 L=1400 Rubber pipe	1		XR310-140001-000
7	310050010002	大管接头 Connector	1		XF250-120005-000
8	300030140006	垫圈 20 Washer	1		J000982-000020-00
9	300030040014	垫圈 8 Washer 8	4		G0097P1-000008-00
10	310040010073	管夹 Clamp	2		H510-500001-000
11	310050080014	回油管接头 Connector	2		XF250-120002-000
12	310050080094	小管接头 Connector	1		XF250-120001-000
13	300030140004	垫圈 16 Washer	1		J000982-000016-00

图9 传动系统
Fig. 9 Driving system

Ⓐ CPC30/35/38-XRG71
Ⓒ CPC30-XRW10

Ⓑ CPC30/35/38-XRG72
Ⓓ CPC30/35/38-XRW55

Ⓔ CPC30/35/38-XRG72J
Ⓕ CPC30/35/38-XRG92

序号 Item	物料码 Part No.	名称 Description	数量 Qty	备注或适用车型 Remarks or Serial No.	原物料码 Original Part No.
1	见图 11 See Fig.11	驱动桥总成 Drive axle assy	1		
2	810120000147	1598H 密封胶 1598H Salant	1		159895
3	300050100009	销 B10×25 Pin B10×25	1		G000120-010025-01
4	300030010002	垫圈 12 Washer 12	12		G000093-000012-00
5	300010040037	螺栓 M12×40 Bolt M12×40	10		G005783-012040-00
6	300010040033	螺栓 M12×30 Bolt M12×30	2		G005783-012030-00
7	201200000349	机械变速箱 Mechanical transmission XJDS30A	1		XR300-120000-G00
8	201400030006	纸垫 Gasket	1		30HB-100002
9	见图 10 See Fig.10	离合器 Clutch	1		
10	300030010001	垫圈 10 Washer 10	7		G000093-000010-00
11	300010040011	螺栓 M10×30 Bolt M10×30	7		G005783-010030-00
12	见图 1 See Fig.1	前轮总成(单轮) front wheel assy (Single)	2		
12	见图 2 See Fig.2	内前轮总成(双轮)Inner front wheel assy(double)	2		
12	见图 2 See Fig.2	外前轮总成(双轮)Outer front wheel assy(double)	2		

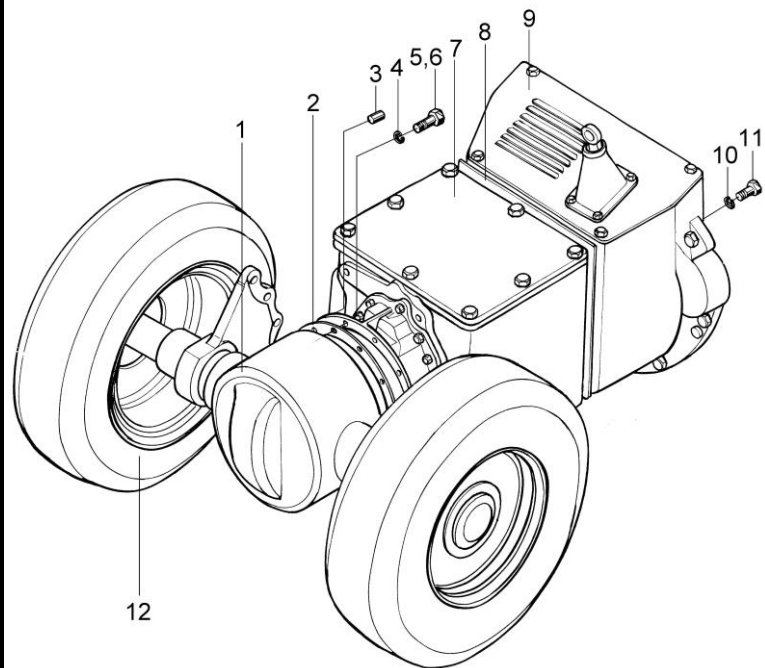
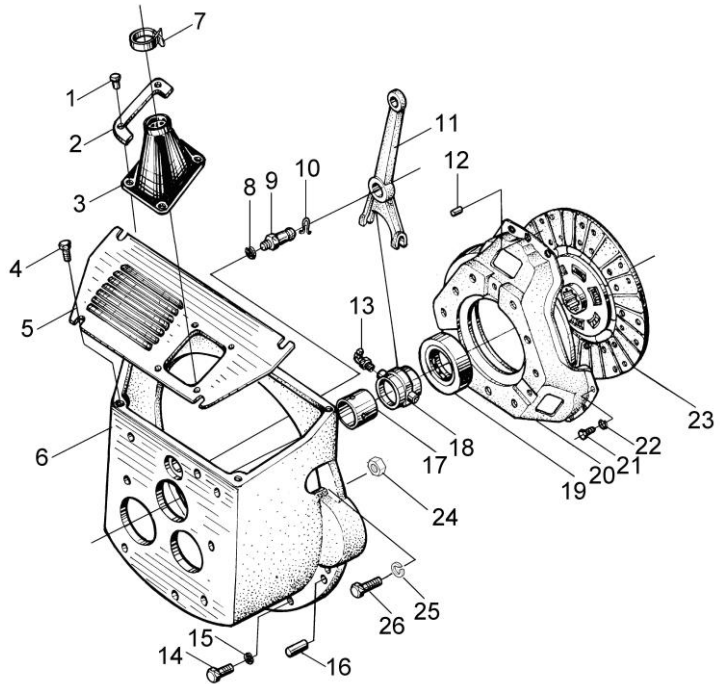


图 10 离合器
Fig.10 Clutch

Ⓐ CPC30/35/38-XRG71
Ⓒ CPC30-XRW10

Ⓑ CPC30/35/38-XRG72
Ⓓ CPC30/35/38-XRW55

Ⓔ CPC30/35/38-XRG72J
Ⓕ CPC30/35/38-XRG92



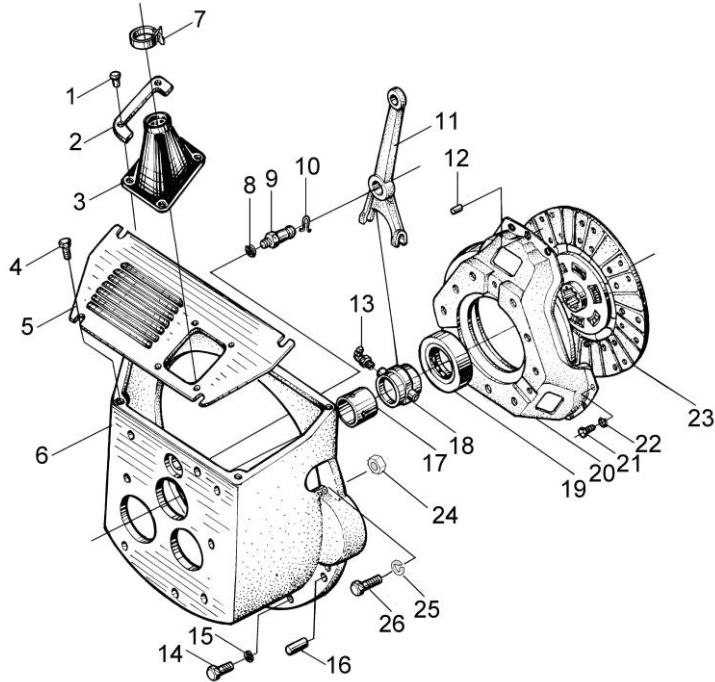
序号 Item	物料码 Part No.	名称 Description	数量 Qty	备注或适用车型 Remarks or Serial No.	原物料码 Original Part No.
A1	20140000043	离合器 Clutch	1	Ⓐ Ⓑ Ⓔ	XR300-130000-000
A2	20140000011	离合器 Clutch	1	Ⓒ Ⓓ	N152-120000-000
1	206400120002	扣件 Fastener	4		N163-610100-W00
2	201400140001	压板 Plate	2		N150-120005-000
3	201400040002	防尘罩 Dustproof hood	1		N150-120003-000
4	310070030007	螺钉组件 Screw	4		N163-420100-000
5	201400110001	离合器盖 Clutch cover	1		N150-120004-000
6	201400120001	离合器壳 Clutch housing	1	Ⓐ Ⓑ Ⓔ	N150-120001-000
6	201400120013	离合器壳 Clutch housing	1	Ⓒ Ⓓ	N152-120001-000
7	207900080008	捆线带 PKD-100 Wire	1		PKD-100-G00
8	300030010002	垫圈 12 Washer 12	1		G000093-000012-00
9	201400060018	分离叉球形支柱 Ball-ended supporting stud,clutch release fork	1	<2018-05-25 Ⓐ Ⓑ Ⓔ	XR300-130002-000
9	201400060006	分离叉球形支柱 Ball-ended supporting stud,clutch release fork	1	≥2018-05-25 Ⓐ Ⓑ Ⓔ	R9217-110001-000

图 10 离合器
Fig.10 Clutch

Ⓐ CPC30/35/38-XRG71
Ⓒ CPC30-XRW10

Ⓑ CPC30/35/38-XRG72
Ⓓ CPC30/35/38-XRW55

Ⓔ CPC30/35/38-XRG72J
Ⓕ CPC30/35/38-XRG92



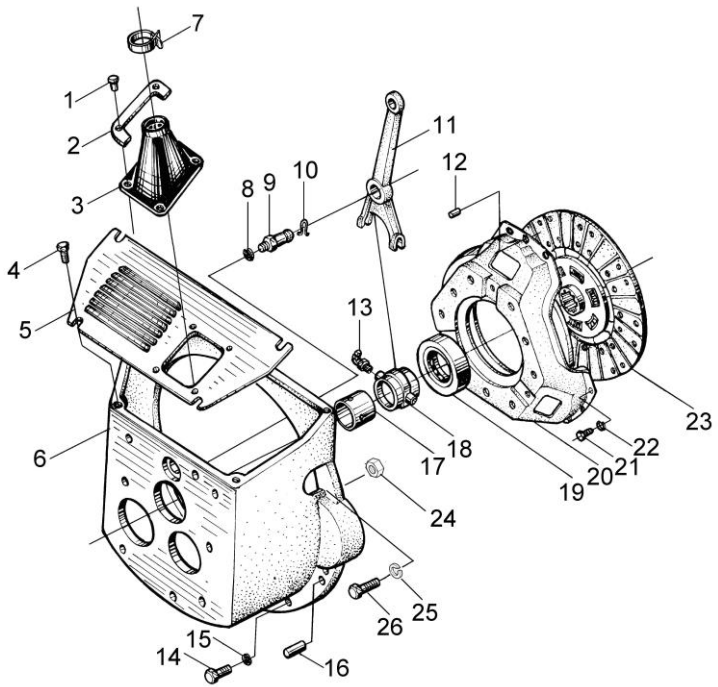
序号 Item	物料码 Part No.	名称 Description	数量 Qty	备注或适用车型 Remarks or Serial No.	原物料码 Original Part No.
9	201400060006	分离叉球形支柱 Ball-ended supporting stud,clutch release fork	1	Ⓒ Ⓓ	R9217-110001-000
10	201400020001	挡圈 Snap ring	1		N150-120007-000
11	201400050002	分离拨叉 Release fork	1		N150-120006-000
12	300050030045	销 B6×12 Pin B6×12	3		G000119-006012-01
13	300170040007	油杯 45° M6 Grease nipple M6	1		G001153-006000-00
14	300010040013	螺栓 M10×35 Bolt M10×35	9	Ⓐ Ⓑ Ⓔ	G005783-010035-00
14	300010060011	螺栓 M10×1.25×35 Bolt M10×1.25×35	7	Ⓒ Ⓓ	G005786-010035-00
15	300030010001	垫圈 10 Washer 10	9	Ⓐ Ⓑ Ⓔ	G000093-000010-00
15	300030010001	垫圈 10 Washer 10	7	Ⓒ Ⓓ	G000093-000010-00
16	300050100001	销 10×35 Pin 10×35	2	Ⓐ Ⓑ Ⓔ	G000120-010035-00
A5	201400080001	分离轴承套筒总成 Clutch releasae coller assy	1	包含/INC:13,17,18	N150-121000-000
17	201100070005	衬套 Bushing	1		N150-121002-000
18	201400080002	分离轴承套筒 Clutch releasae coller	1		N150-121001-000
19	201400050019	分离轴承 9688211 Release bearing clutch	1		9688211-G00

图 10 离合器
Fig.10 Clutch

Ⓐ CPC30/35/38-XRG71
Ⓒ CPC30-XRW10

Ⓑ CPC30/35/38-XRG72
Ⓓ CPC30/35/38-XRW55

Ⓔ CPC30/35/38-XRG72J
Ⓕ CPC30/35/38-XRG92



序号 Item	物料码 Part No.	名称 Description	数量 Qty	备注或适用车型 Remarks or Serial No.	原物料码 Original Part No.
20	201400130016	离合器压盘 Clutch pressure plate	1		XR300-132000-000
21	300010040169	螺栓 M8×16 Bolt M8×16	12		G005783-008016-00
22	300030010015	垫圈 8 Washer 8	12		G000093-000008-00
23	201400100003	离合器从动盘总成 Clutch pressure plate	1	<2018-07-24	N150-124000-000
23	201400100030	离合器从动盘总成 Clutch pressure plate	1	≥2018-07-24	XR300-131000-000
24	300020010006	螺母 M10 Nut M10	1	Ⓒ Ⓓ	G006170-000010-00
25	300030010001	垫圈 10 Washer 10	1	Ⓒ Ⓓ	G000093-000010-00
26	300010030015	螺栓 M10×50 Bolt M10×50	1	Ⓒ Ⓓ	G005782-010050-00

图 11 驱动桥总成
Fig.11 Drive axle assy

- | | | | |
|------------------------------------|-----------------------------------|----------------------------------|-----------------------------------|
| Ⓐ CPCD30/35-XRG71 | Ⓐ ³ CPC30/35/38-XRG71 | Ⓑ CPCD30/35/38-XRG72 | Ⓑ ³ CPC30/35/38-XRG72 |
| Ⓔ ⁴ CPCD30/35/38-XRG72J | Ⓑ ⁵ CPC30/35/38-XRG72J | Ⓒ CPCD30-XRW10 | Ⓒ ³ CPC30-XRW10 |
| Ⓔ ⁵ CPCD30/35-XRW43 | Ⓑ ³ CPC30/35/38-XRW55 | Ⓗ CPCD30/35-XRW56 | Ⓗ ¹ CPQD30/35-XRW22 |
| Ⓙ CPQYD30/35/38-XRW22 | Ⓖ CPCD30/35/38-XRG2 | Ⓑ ³ CPC30/35/38-XRG92 | Ⓑ ³ CPCD30/35/38-XRG92 |

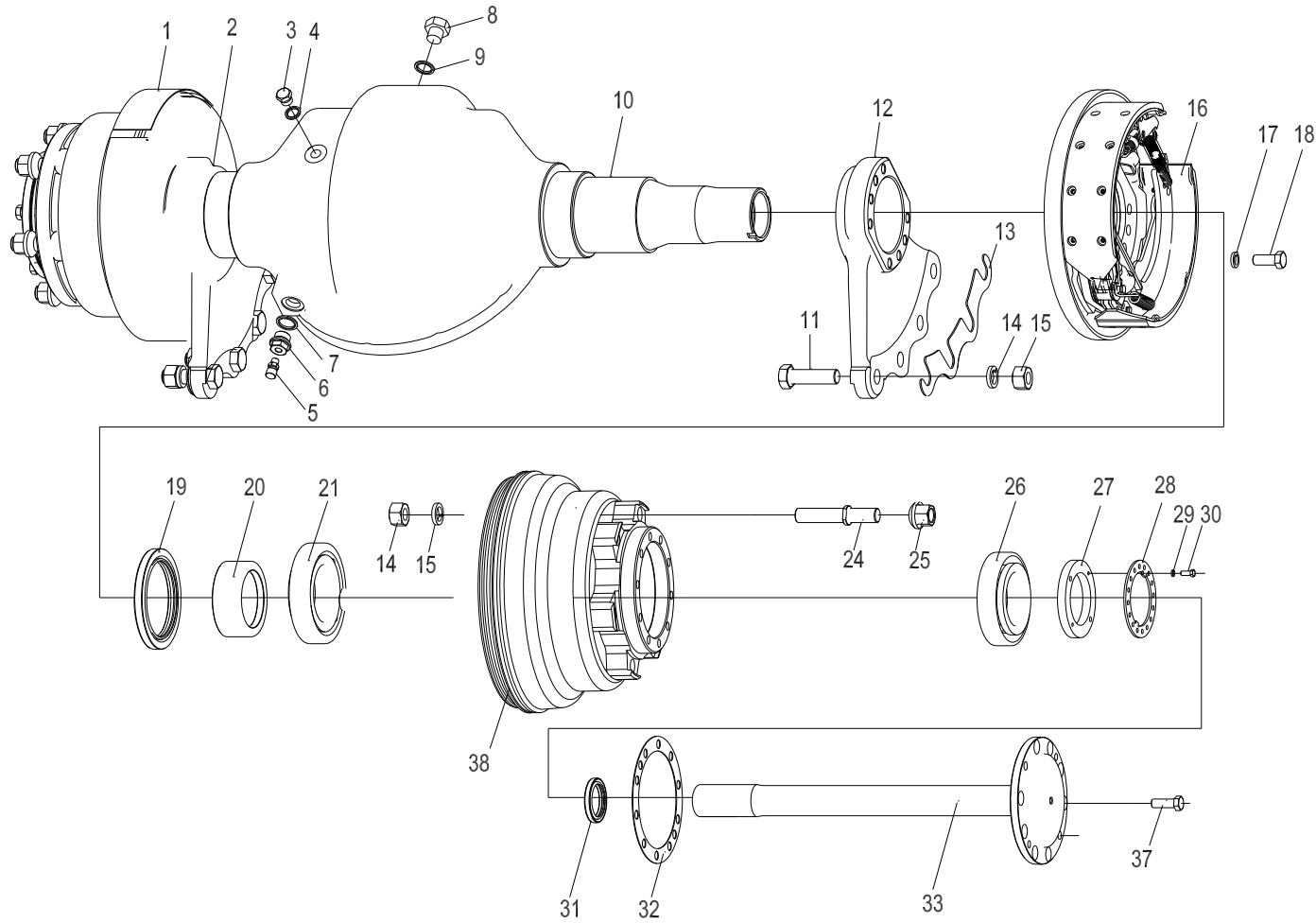


图 11 驱动桥总成
Fig.11 Drive axle assy

- (A) CPCD30/35-XRG71 (A3) CPC30/35/38-XRG71 (B) CPCD30/35/38-XRG72 (B3) CPC30/35/38-XRG72
 (B4) CPCD30/35/38-XRG72J (B5) CPC30/35/38-XRG72J (C) CPCD30-XRW10 (C3) CPC30-XRW10
 (E) CPCD30/35-XRW43 (H) CPCD30/35-XRW56 (G3) CPC30/35/38-XRW55 (I) CPQD30/35-XRW22
 (J) CPQYD30/35/38-XRW22 (Q) CPCD30/35/38-XRG2 (S) CPCD30/35/38-XRG92 (S3) CPC30/35/38-XRG92

序号 Item	物料码 Part No.	名称 Description	数量 Qty	备注或适用车型 Remarks or Serial No.	原物料码 Original Part No.
A1	201100000385	驱动桥总成 Drive axle assy	1		XR310-110000-000
1	见图14 See Fig.14	左制动器总成 Brake assy,LH	1		
2	201100250151	左支撑板 Left Plate	1		XR310-110001-000
3	300270010006	螺塞 M16×1.5 Plug M16×1.5	1		J001000-0161P5-00
4	300030140004	垫圈 16 Washer 16	1		J000982-000016-00
5	201100050029	呼吸器 Vented plug	1		XB450-115000-000
6	201100050038	螺塞 Plug	1		RC250-110004-000
7	300030140016	垫圈 22 Washer 22	1		J000982-000022-00
8	201100060002	螺塞 Plug	1		N163-110016-000
9	300030140006	垫圈 20 Washer 20	1		J000982-000020-00
10	201100100200	桥体 Axle	1		XR310-110005-000
11	201100020090	连接螺栓 Bolt	8		AX400-100001-000
12	201100250150	右支撑板 Right Plate	1		XR310-110002-000
13	201100040129	垫板 Plate	1		N163-110003-000
14	300030010006	垫圈 24 Washer 24	12		G000093-000020-00

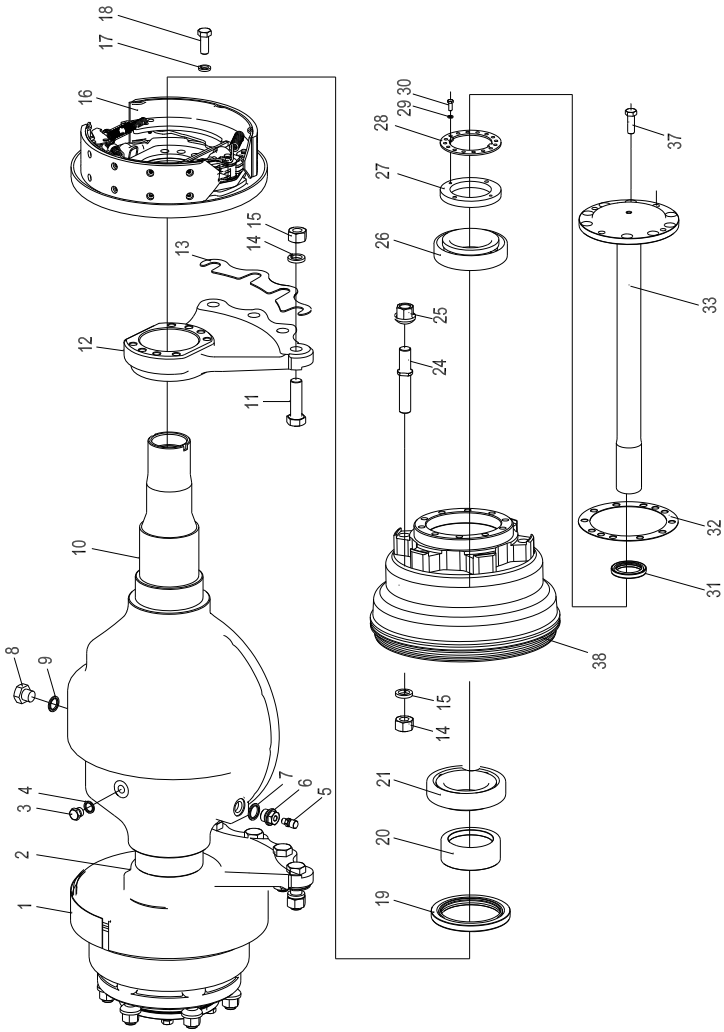
图 11 驱动桥总成
Fig.11 Drive axle assy

- (A) CPCD30/35-XRG71 (A3) CPC30/35/38-XRG71 (B) CPCD30/35/38-XRG72 (B3) CPC30/35/38-XRG72
 (B4) CPCD30/35/38-XRG72J (B5) CPC30/35/38-XRG72J (C) CPCD30-XRW10 (C3) CPC30-XRW10
 (E) CPCD30/35-XRW43 (H) CPCD30/35-XRW56 (G3) CPC30/35/38-XRW55 (I) CPQD30/35-XRW22
 (J) CPQYD30/35/38-XRW22 (Q) CPCD30/35/38-XRG2 (S) CPCD30/35/38-XRG92 (S3) CPC30/35/38-XRG92

序号 Item	物料码 Part No.	名称 Description	数量 Qty	备注或适用车型 Remarks or Serial No.	原物料码 Original Part No.
15	300020020022	螺母 M20×1.5 Nut M20×1.5	8		G006171-000020-05
16	见图15 See Fig.15	右制动器总成 Brake assy,RH	1		
17	300030090008	垫圈 14 Washer 14	16		G007244-000014-00
18	310010020065	制动器底板螺栓 Bolt, Brake plate assy	16		A300-110005-000
19	300320010016	油封 FB105×140×12 Oil seal	2		G9877P1-140010512-01
20	201100150008	油封座 Oil Seat	2		A300-110001-000
21	201100130005	轴承 7816 Bearing	2		A300-110010-G00
24	201100020014	轮毂螺栓 Bolt, Hub	12	3.0t-3.8t 单轮 Single tyre	N163-110014-000
24	201100020019	轮毂螺栓 Bolt, Hub	12	3.0t-3.8t 双轮 Double tyre	N163-110001-500
25	201100080004	轮毂螺母 Nut, Hub	12		N163-110015-000
26	201100130001	轴承 7815 Bearing	2		N163-110100-G00
27	201100080006	锁紧螺母 Lock nut	2		N163-110009-000
28	201100110002	锁紧片 Locking shim	2		N163-110011-000
29	300030010014	垫圈 6 Washer 6	4		G000093-000006-00
30	300010040145	螺栓 M6×12 Bolt M6×12	4		G005783-006012-00

图 11 驱动桥总成
Fig.11 Drive axle assy

- (A) CPCD30/35-XRG71 (A3) CPC30/35/38-XRG71 (B) CPCD30/35/38-XRG72 (B3) CPC30/35/38-XRG72
 (B4) CPCD30/35/38-XRG72J (B5) CPC30/35/38-XRG72J (C) CPCD30-XRW10 (C3) CPC30-XRW10
 (E) CPCD30/35-XRW43 (H) CPCD30/35-XRW56 (G3) CPC30/35/38-XRW55 (I) CPQD30/35-XRW22
 (J) CPQYD30/35/38-XRW22 (Q) CPCD30/35/38-XRG2 (S) CPCD30/35/38-XRG92 (S3) CPC30/35/38-XRG92



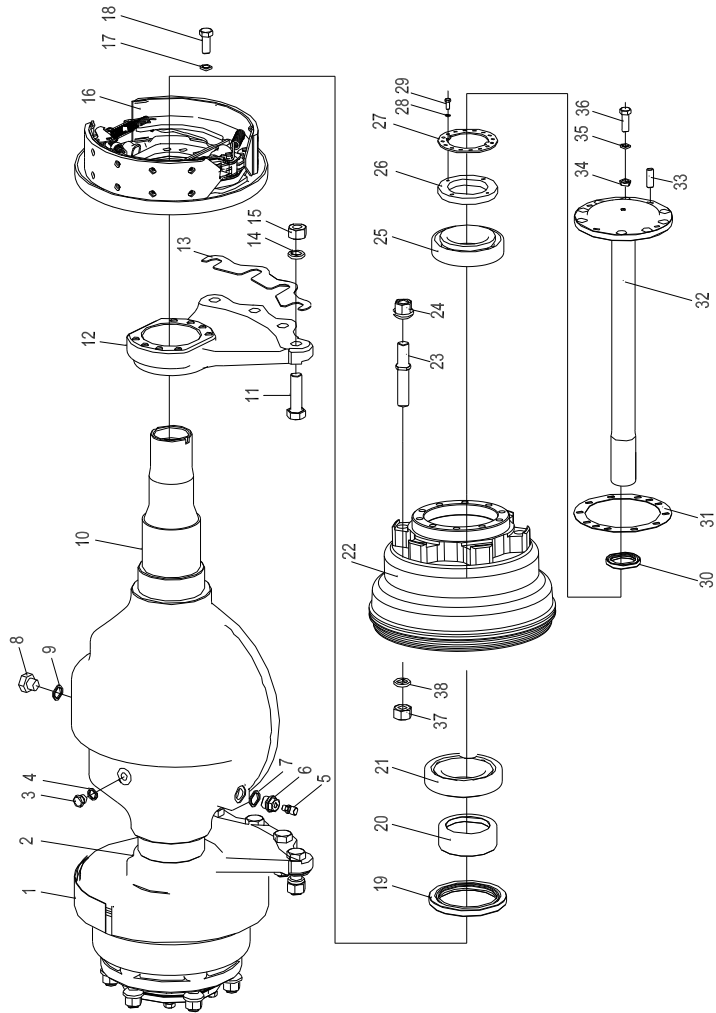
序号 Item	物料码 Part No.	名称 Description	数量 Qty	备注或适用车型 Remarks or Serial No.	原物料码 Original Part No.
31	300320040005	油封 PD45×62×12 Oil seal	2		HG40692-045006212-00
32	201100160012	纸垫 Gasket	2		N163-110018-000
33	201100010084	半轴 Half shaft	2		XR310-110003-000
37	201100020088	半轴螺栓 Bolt	20		A300-110006-000
38	201100090044	轮毂 Hub	2		A300-110002-000
38	201100090049	轮毂 Hub	2	3.0t-3.8t 双轮 Double tyre	A300-110002-500

图 12 驱动桥总成
Fig.12 Drive axle assy

Ⓒ) CPCD30-XRW10B
Ⓗ) CPCD30/35/38-XRW56B
Ⓔ) CPCD30/35/38-XRW43B

Ⓓ) CPCD30/35/38-XRW33B
Ⓘ) CPQD30/35/38-XRW22B

Ⓖ) CPCD30/35/38-XRW55B
Ⓙ) CPQYD30/35/38-XRW22B



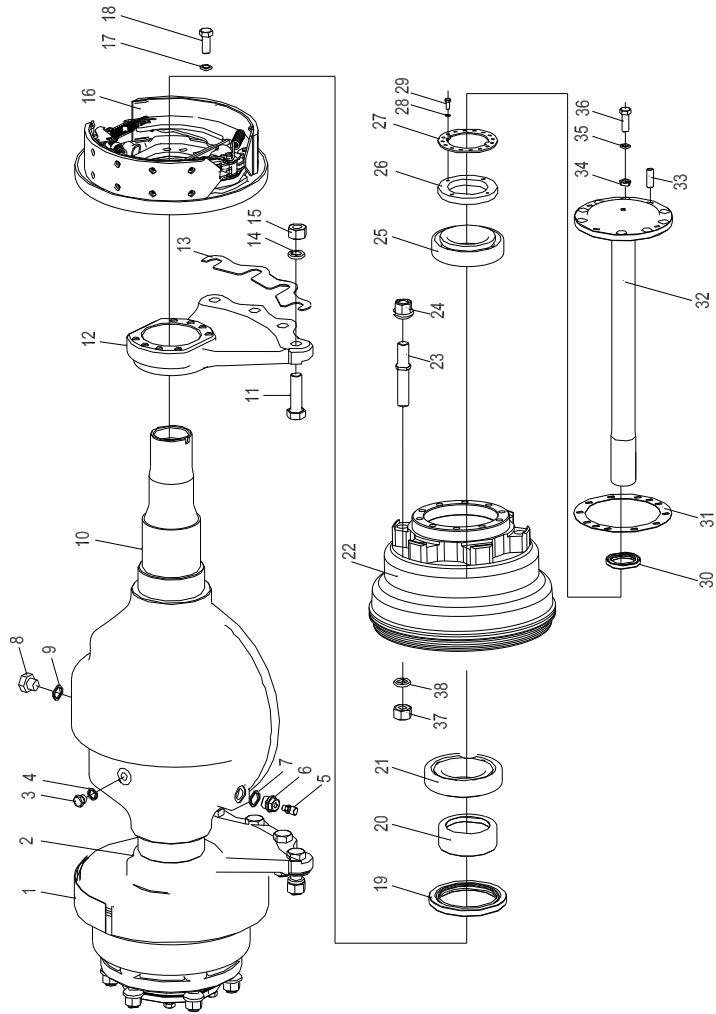
序号 Item	物料码 Part No.	名称 Description	数量 Qty	备注或适用车型 Remarks or Serial No.	原物料码 Original Part No.
A2	201100000450	驱动桥总成 Drive axle assy	1		XRB317-110000-000
1	见图14 See Fig.14	左制动器总成 Brake assy,LH	1		
2	201100250155	左支撑板 Left Plate	1		XRB317-110001-000
3	300270010006	螺塞 M16×1.5 Plug M16×1.5	1		J001000-0161P5-00
4	300030140004	垫圈 16 Washer 16	1		J000982-000016-00
5	201100050029	呼吸器 Vented plug	1		XB450-115000-000
6	201100050038	内六角螺塞 Plug	1		RC250-110004-000
7	300030140016	垫圈 22 Washer 22	1		J000982-000022-00
8	201100060002	螺塞 Plug	1		N163-110016-000
9	300030140006	垫圈 20 Washer 20	1		J000982-000020-00
10	201100100235	桥体 Axle	1		XRB317-113000-000
11	201100020090	连接螺栓 Bolt	8		AX400-100001-000
12	201100250156	右支撑板 Right Plate	1		XRB317-110002-000
13	201100040129	垫板 Plate	1		N163-110003-000
14	300030010008	垫圈 24 Washer 24	8		G000093-000024-00

图 12 驱动桥总成
Fig.12 Drive axle assy

Ⓒ) CPCD30-XRW10B
Ⓗ) CPCD30/35/38-XRW56B
Ⓔ) CPCD30/35/38-XRW43B

Ⓓ) CPCD30/35/38-XRW33B
Ⓘ) CPQD30/35/38-XRW22B

Ⓖ) CPCD30/35/38-XRW55B
Ⓙ) CPQYD30/35/38-XRW22B



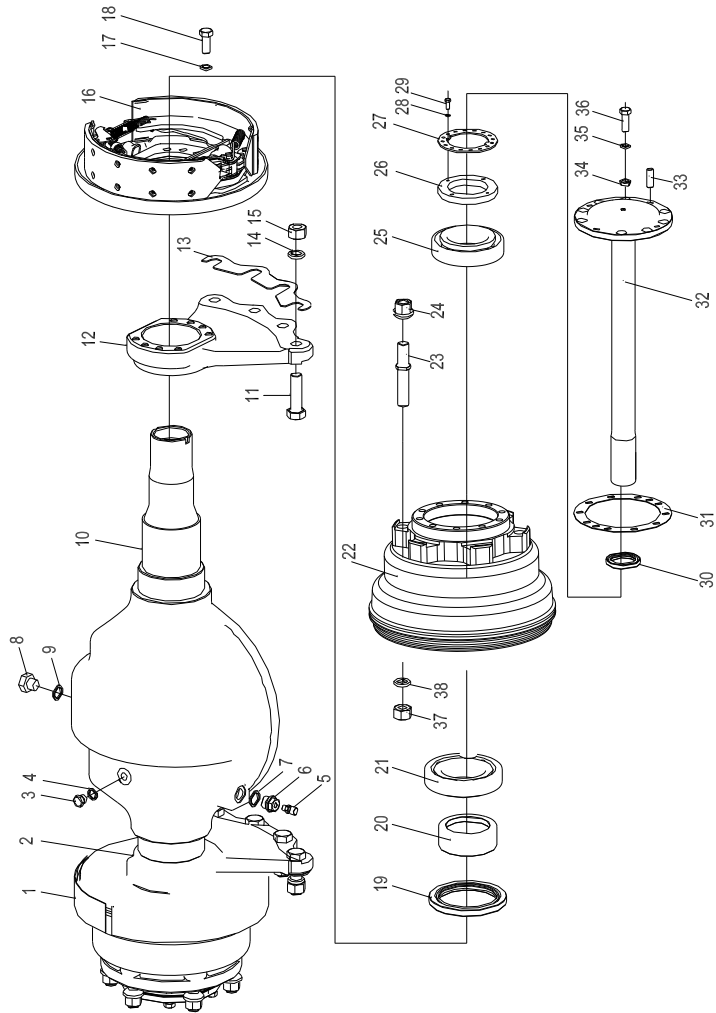
序号 Item	物料码 Part No.	名称 Description	数量 Qty	备注或适用车型 Remarks or Serial No.	原物料码 Original Part No.
15	300020010028	螺母 M24 Nut M24	8		G006170-000024-01
16	见图15 See Fig.15	右制动器总成 Brake assy,RH	1		
17	300030090008	垫圈 14 Washer 14	16		G007244-000014-00
18	201100020102	制动器底板螺栓 Bolt, Brake plate assy	16		XRB317-110008-000
19	300320010016	油封 FB105×140×12 Oil seal	2		G9877P1-140010512-01
20	201100150008	油封座 Oil Seat	2		A300-110001-000
21	201100130005	轴承 7816 Bearing	2		A300-110010-G00
22	201100090048	轮毂 Hub	2		XF300-110002-001
22	201100090049	轮毂 Hub		3.0t-3.8t 双轮 Double tyre	A300-110002-500
23	201100020014	轮毂螺栓 Bolt, Hub	12	3.0t-3.8t 单轮 Single tyre	N163-110014-000
23	201100020019	轮毂螺栓 Bolt, Hub	12	3.0t-3.8t 双轮 Double tyre	N163-110001-500
24	201100080004	轮毂螺母 Nut, Hub	12		N163-110015-000
25	201100130001	轴承 7815 Bearing	2		N163-110100-G00
26	201100080006	锁紧螺母 Lock nut	2		N163-110009-000
27	201100110002	锁紧片 Locking shim	2		N163-110011-000

图 12 驱动桥总成
Fig.12 Drive axle assy

Ⓒ) CPCD30-XRW10B
Ⓗ) CPCD30/35/38-XRW56B
Ⓔ) CPCD30/35/38-XRW43B

Ⓓ) CPCD30/35/38-XRW33B
Ⓘ) CPQD30/35/38-XRW22B

Ⓖ) CPCD30/35/38-XRW55B
Ⓙ) CPQYD30/35/38-XRW22B



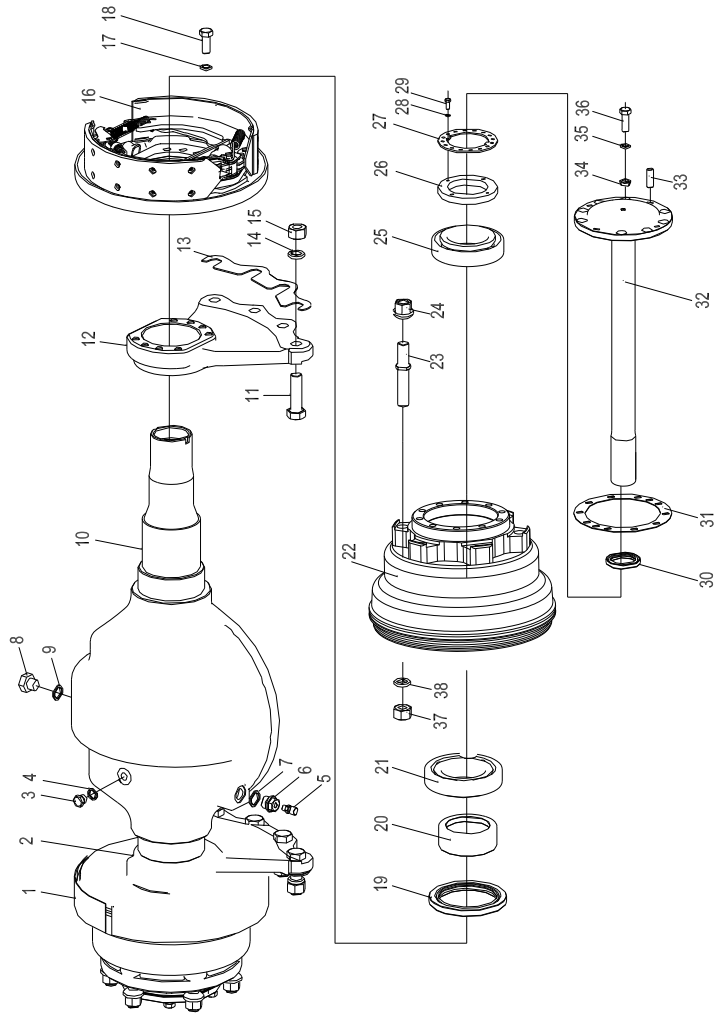
序号 Item	物料码 Part No.	名称 Description	数量 Qty	备注或适用车型 Remarks or Serial No.	原物料码 Original Part No.
28	300030010014	垫圈 6 Washer 6	4		G000093-000006-00
29	300010040145	螺栓 M6×12 Bolt M6×12	4		G005783-006012-00
30	300320040006	油封 PD48×62×12 Oil seal	2		HG40692-048006212-00
31	201100160012	纸垫 Gasket	2		N163-110018-000
32	201100010101	半轴 Half shaft	2		XRB317-110003-000
33	300050030053	销 D12×35 Pin D12×35	2		G000119-012035-03
34	201100070009	压紧衬套 Clamp split-ring	18		N163-110019-000
35	300030090002	垫圈 12 Washer 12	18		G007244-000012-00
36	310010020035	螺栓 Bolt	18		N163-110021-000

图 13 驱动桥总成
Fig.13 Drive axle assy

ⓑ2 CPCD30/35/38-XRG72F
ⓑ2 CPCD30/35/38-XRW55F
ⓑ2 CPQD30/35/38-XRW22F
ⓑ6 CPCD30/35/38-XRG72JF

ⓑ2 CPCD30-XRW10F
ⓑ2 CPCD30/35/38-XRW56F
ⓑ2 CPQYD30/35/38-XRW22F
ⓑ2 CPCD30/35/38-XRW43F

ⓑ2 CPCD30/35/38-XRW33F
ⓑ2 CPCD30/35/38-XRW92F
ⓑ2 CPYD30/35/38-XRW52F



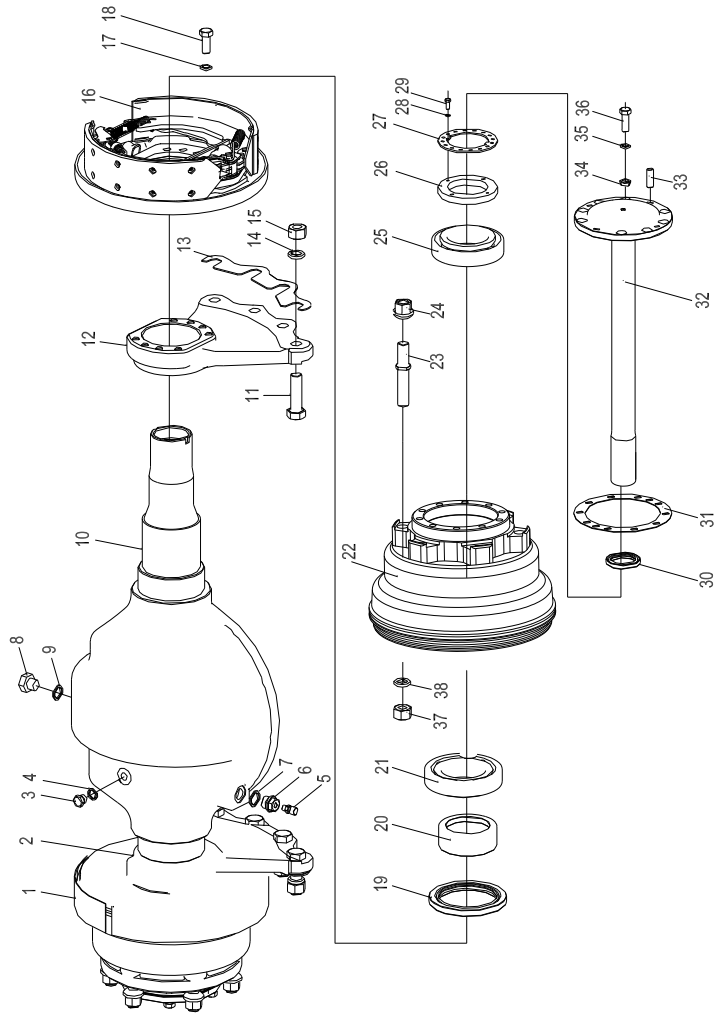
序号 Item	物料码 Part No.	名称 Description	数量 Qty	备注或适用车型 Remarks or Serial No.	原物料码 Original Part No.
A3	201100000467	驱动桥总成 Drive axle assy	1		XRF310-110000-000
1	见图14 See Fig.14	左制动器总成 Brake assy,LH	1		
2	201100250155	左支撑板 Left Plate	1		XRB317-110001-000
3	300270010006	螺塞 M16×1.5 Plug M16×1.5	1		J001000-0161P5-00
4	300030140004	垫圈 16 Washer 16	1		J000982-000016-00
5	201100050029	呼吸器 Vented plug	1		XB450-115000-000
6	201100050038	内六角螺塞 Plug	1		RC250-110004-000
7	300030140016	垫圈 22 Washer 22	1		J000982-000022-00
8	201100060002	螺塞 Plug	1		N163-110016-000
9	300030140006	垫圈 20 Washer 20	1		J000982-000020-00
10	201100100245	桥体 Axle	1		XRF310-110005-000
11	201100020090	连接螺栓 Bolt	8		AX400-100001-000
12	201100250156	右支撑板 Right Plate	1		XRB317-110002-000
13	201100040129	垫板 Plate	1		N163-110003-000
14	300030010008	垫圈 24 Washer 24	8		G000093-000024-00

图 13 驱动桥总成
Fig.13 Drive axle assy

ⓑ2 CPCD30/35/38-XRG72F
ⓑ2 CPCD30/35/38-XRW55F
ⓑ2 CPQD30/35/38-XRW22F
ⓑ6 CPCD30/35/38-XRG72JF

ⓑ2 CPCD30-XRW10F
ⓑ2 CPCD30/35/38-XRW56F
ⓑ2 CPQYD30/35/38-XRW22F
ⓑ2 CPCD30/35/38-XRW43F

ⓑ2 CPCD30/35/38-XRW33F
ⓑ2 CPCD30/35/38-XRW92F
ⓑ2 CPYD30/35/38-XRW52F



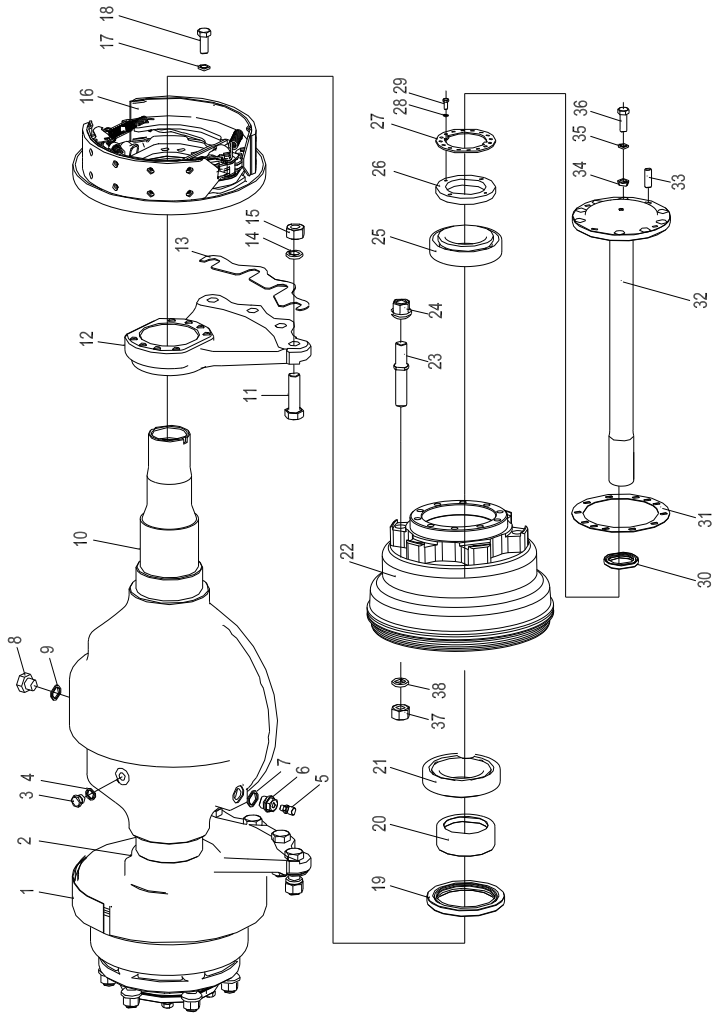
序号 Item	物料码 Part No.	名称 Description	数量 Qty	备注或适用车型 Remarks or Serial No.	原物料码 Original Part No.
15	300020010028	螺母 M24 Nut M24	8		G006170-000024-01
16	见图15 See Fig.15	右制动器总成 Brake assy,RH	1		
17	300030090008	垫圈 14 Washer 14	16		G007244-000014-00
18	201100020102	制动器底板螺栓 Bolt, Brake plate assy	16		XRB317-110008-000
19	300320010016	油封 FB105×140×12 Oil seal	2		G9877P1-140010512-01
20	201100150008	油封座 Oil Seat	2		A300-110001-000
21	201100130005	轴承 7816 Bearing	2		A300-110010-G00
22	201100090048	轮毂 Hub	2		XF300-110002-001
22	201100090049	轮毂 Hub		3.0t-3.8t 双轮 Double tyre	A300-110002-500
23	201100020014	轮毂螺栓 Bolt, Hub	12	3.0t-3.8t 单轮 Single tyre	N163-110014-000
23	201100020019	轮毂螺栓 Bolt, Hub	12	3.0t-3.8t 双轮 Double tyre	N163-110001-500
24	201100080004	轮毂螺母 Nut, Hub	12		N163-110015-000
25	201100130001	轴承 7815 Bearing	2		N163-110100-G00
26	201100080006	锁紧螺母 Lock nut	2		N163-110009-000
27	201100110002	锁紧片 Locking shim	2		N163-110011-000

图 13 驱动桥总成
Fig.13 Drive axle assy

ⓑ CPCD30/35/38-XRG72F
ⓐ CPCD30/35/38-XRW55F
ⓓ CPQD30/35/38-XRW22F
ⓖ CPCD30/35/38-XRG72JF

Ⓒ CPCD30-XRW10F
ⓗ CPCD30/35/38-XRW56F
ⓙ CPQYD30/35/38-XRW22F
ⓔ CPCD30/35/38-XRW43F

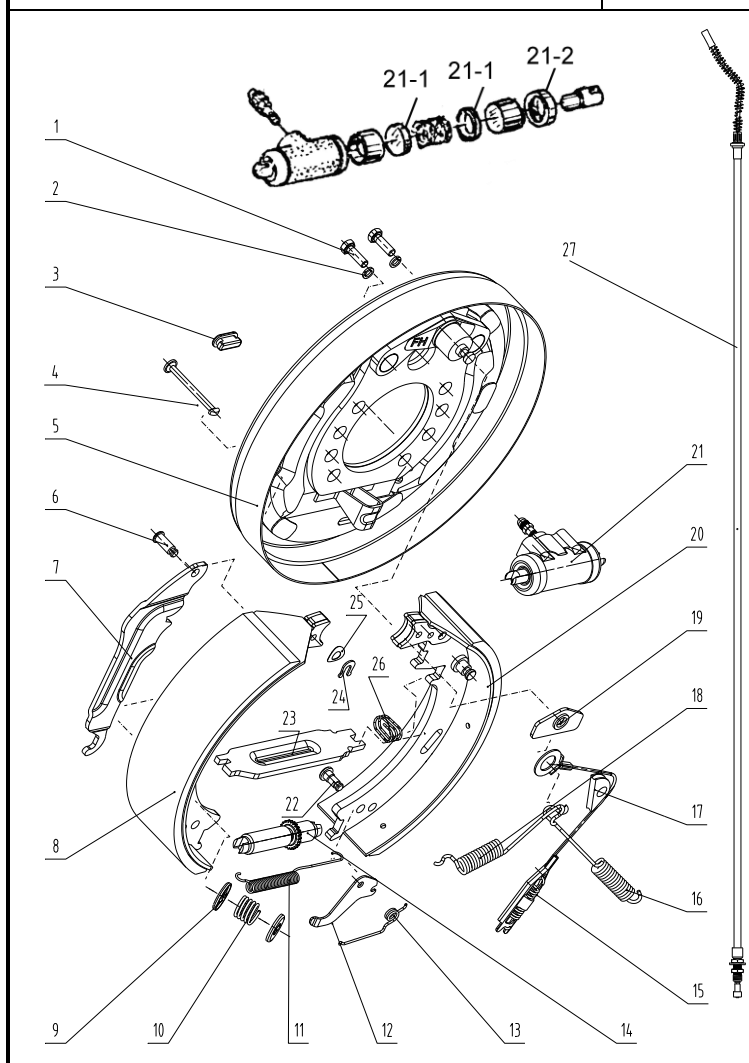
ⓓ CPCD30/35/38-XRW33F
ⓕ CPCD30/35/38-XRW92F
Ⓛ CPYD30/35/38-XRW52F



序号 Item	物料码 Part No.	名称 Description	数量 Qty	备注或适用车型 Remarks or Serial No.	原物料码 Original Part No.
28	300030010014	垫圈 6 Washer 6	4		G000093-000006-00
29	300010040145	螺栓 M6×12 Bolt M6×12	4		G005783-006012-00
30	300320040005	油封 PD45×62×12 Oil seal	2		HG40692-045006212-00
31	201100160012	纸垫 Gasket	2		N163-110018-000
32	201100010102	半轴 Half shaft	2		XRF310-110003-000
33	300050030053	销 D12×35 Pin D12×35	2		G000119-012035-03
34	201100070009	压紧衬套 Clamp split-ring	18		N163-110019-000
35	300030090002	垫圈 12 Washer 12	18		G007244-000012-00
36	310010020035	螺栓 Bolt	18		N163-110021-000

图 14 左制动器总成
Fig.14 Brake assy,LH

全部车型 3.0t-3.8t
All models of truck



序号 Item	物料码 Part No.	名称 Description	数量 Qty	备注或适用车型 Remarks or Serial No.	原物料码 Original Part No.
A1	201700000194	左制动器总成 Brake assy,LH	1		N163-111000-G02
1	810120000004	螺栓 M8×1.25×25-6g Bolt M8×1.25×25-6g	2		GB21-76- M8×1.25×25-6g
2	810120000005	弹簧垫圈 8 Washer 8	2		GB91-76-8
3	810120000006	胶堵 Cove adjusting hole	1		24433-70040G
4	810120000007	压簧拉杆 Spring parking	2		24433-70010G
5	810120000008	左制动器底板总成 Brake plate assy,LH	1		24433-72000G01-L
6	810120000009	拉杆销 Pin	1		24433-70150G
7	810120000010	左手制动拉杆 Lever parking,LH	1		24433-70140G-L
A2	810120000011	制动蹄总成(左) Brake shoe assy,LH	1	包含/INC:8,20	FHXX24433-71/5000G-L
8	NO PART NO.	制动蹄带摩擦片总成 Brake shoe	1	See Item A2,不单独提供 Do not supply separately	
9	810120000012	压簧座 Spring seating	4		24433-70020G
10	810120000013	压簧 Spring	2		24433-70030G
11	810120000014	拉簧 Spring	1		24433-70050G
12	810120000015	左棘爪 Lever,LH	1		24433-70100G-L
13	810120000016	左扭簧 Twist spring,LH	1		24433-70090G-L

图 14 左制动器总成
Fig.14 Brake assy,LH

全部车型 3.0t-3.8t
All models of truck

序号 Item	物料码 Part No.	名称 Description	数量 Qty	备注或适用车型 Remarks or Serial No.	原物料码 Original Part No.
14	810120000017	左间隙调整器总成 Adjusting fitting assy,LH	1		24433-74000G-L
15	810120000018	弹簧拉线装置 Spring fitting assy	1		24433-73000G
16	810120000019	左回位弹簧(后) Return spring, Left rear	1		24433-70071G-L
17	810120000020	导向块 Oriented block	1		24433-70081G
18	810120000021	左回位弹簧(前) Return spring, Left Front	1		24433-70070G-L
19	810120000022	导向板 Guide Strip	1		24433-70060G
20	NO PART NO.	左制动蹄带摩擦片及挂 簧销总成 Left Brake shoe with spring pin	1	See Item A2,不单独提供 Do not supply separately	
21	810120000023	制动分泵总成 Wheel cylinder assy	1		24433-76000G
21-1	810120000024	分泵皮碗 Cup,piston	2		24433-76030G
21-2	810120000025	制动分泵护罩 Cover,dust	2		22673-72101
22	810120000026	扭簧销 Pin	1		24433-70110G
23	810120000027	左手制动推杆 Lever pushing,LH	1		24433-70120G-L
24	810120000028	杆销挡圈 Retainer	1		24433-70170G
25	810120000029	弹性垫片 Washer,lock	1		24433-70160G

图 14 左制动器总成
Fig.14 Brake assy,LH

全部车型 3.0t-3.8t
All models of truck

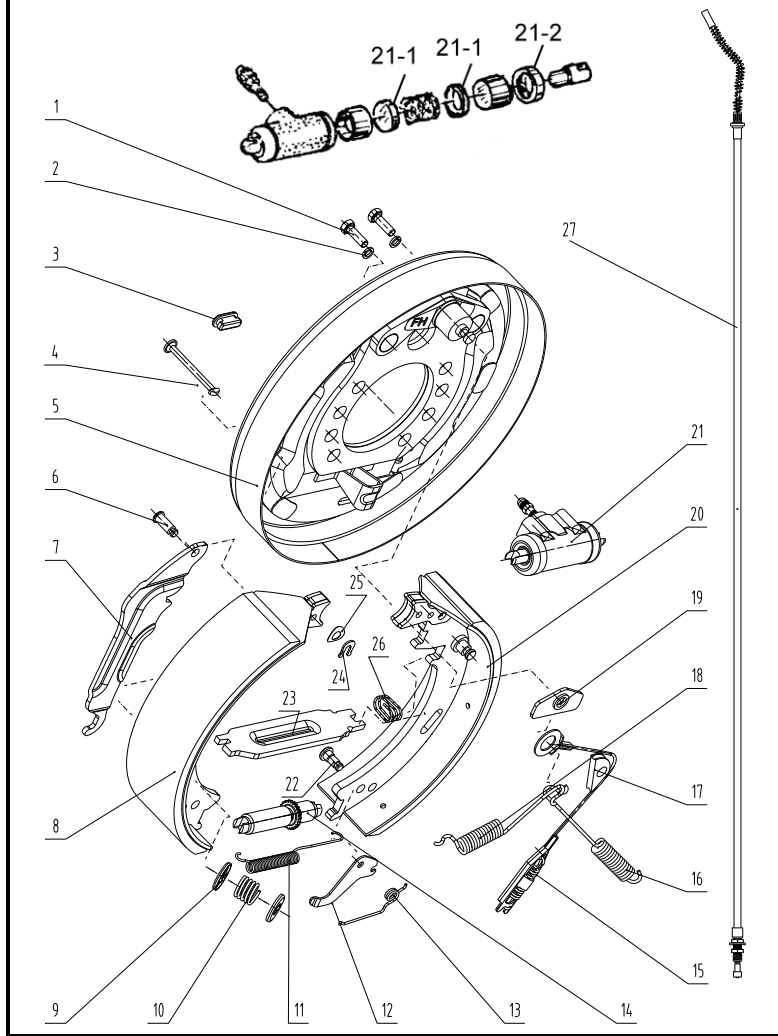
	序号 Item	物料码 Part No.	名称 Description	数量 Qty	备注或适用车型 Remarks or Serial No.	原物料码 Original Part No.
	26	810120000030	弹簧 Spring	1		24433-70130G
	27	201700050027	手制动钢索总成(左) Cable, Control,LH	1		N163-111100-000

图 15 右制动器总成
Fig.15 Brake assy,RH

3.0t-3.8t
全部车型 All models of truck

序号 Item	物料码 Part No.	名称 Description	数量 Qty	备注或适用车型 Remarks or Serial No.	原物料码 Original Part No.
A1	201700000172	右制动器总成 Brake assy,RH	1	除外/Except ⓑ2 Ⓒ2 Ⓓ2 Ⓗ2 Ⓘ2 Ⓟ6 Ⓛ2 ⓖ2 ⓔ2 ⓙ2 Ⓡ2 Ⓒ1 Ⓓ1 ⓖ1 Ⓗ1 Ⓛ1 ⓔ1 ⓙ1	N163-112000-G02
A2	201700000167	右制动器总成 Brake assy,RH	1	Ⓒ1 Ⓓ1 ⓖ1 Ⓗ1 Ⓛ1 ⓔ1 ⓙ1	R561-111000-G01
A4	201700000257	右制动器总成 Brake assy,RH	1	ⓑ2 Ⓒ2 Ⓓ2 Ⓗ2 Ⓘ2 Ⓟ6 Ⓛ2 ⓖ2 ⓔ2 ⓙ2 Ⓡ2	XRF310-112000-G00
1	810120000004	螺栓 M8x1.25x25-6g Bolt M8x1.25x25-6g	2		GB21-76- M8x1.25x25-6g
2	810120000005	弹簧垫圈 8 Washer 8	2		GB91-76-8
3	810120000006	胶堵 Cove adjusting hole	1		24433-70040G
4	810120000007	压簧拉杆 Spring parking	2		24433-70010G
5	810120000032	右制动器底板总成 Brake plate assy,RH	1		24433-72000G01-R
6	810120000009	拉杆销 Pin	1		24433-70150G
7	810120000033	右手制动拉杆 Lever parking,RH	1		24433-70140G-R
A3	810120000034	制动蹄总成(右) Brake shoe assy,RH	1	包含/INC:8,20	FHXX24433-71/5000G-R
8	NO PART NO.	制动蹄带摩擦片总成 Brake shoe	1		
9	810120000012	压簧座 Spring seating	4		24433-70020G
10	810120000013	压簧 Spring	2		24433-70030G

图 15 右制动器总成
Fig.15 Brake assy,RH

3.0t-3.8t
全部车型 All models of truck

序号 Item	物料码 Part No.	名称 Description	数量 Qty	备注或适用车型 Remarks or Serial No.	原物料码 Original Part No.
11	810120000014	拉簧 Spring	1		24433-70050G
12	810120000035	右棘爪 Lever,RH	1		24433-70100G-R
13	810120000036	右扭簧 Twist spring,RH	1		24433-70090G-R
14	810120000037	右间隙调整器总成 Adjusting fitting assy,RH	1		24433-74000G-R
15	810120000018	弹簧拉线装置 Spring fitting assy	1		24433-73000G
16	810120000038	右回位弹簧(后) Return spring, Right rear	1		24433-70071G-R
17	810120000020	导向块 Oriented block	1		24433-70081G
18	810120000039	右回位弹簧(前) Return spring, Right Front	1		24433-70070G-R
19	810120000022	导向板 Guide Strip	1		24433-70060G
20	NO PART NO.	右制动蹄带摩擦片及挂 簧销总成 Right Brake shoe with spring pin	1		
21	810120000023	制动分泵总成 Wheel cylinder assy	1		24433-76000G
21-1	810120000024	分泵皮碗 Cup,piston	2		24433-76030G
21-2	810120000025	制动分泵护罩 Cover,dust	2		22673-72101

图 15 右制动器总成
Fig.15 Brake assy,RH

3.0t-3.8t
全部车型 All models of truck

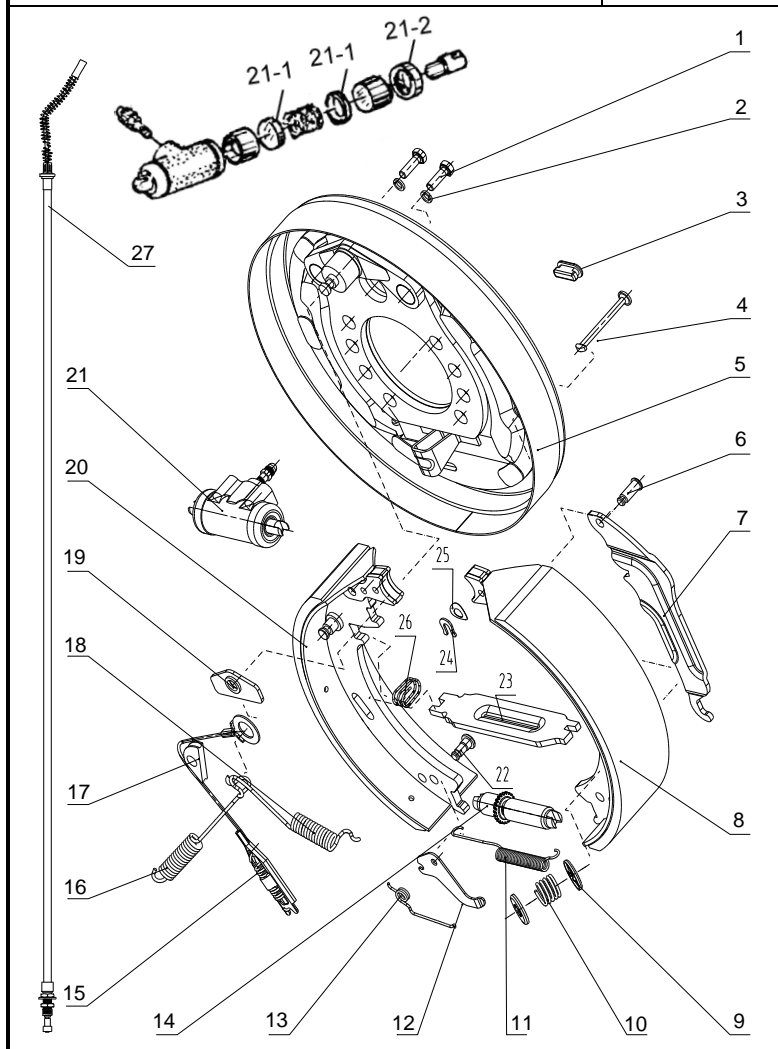
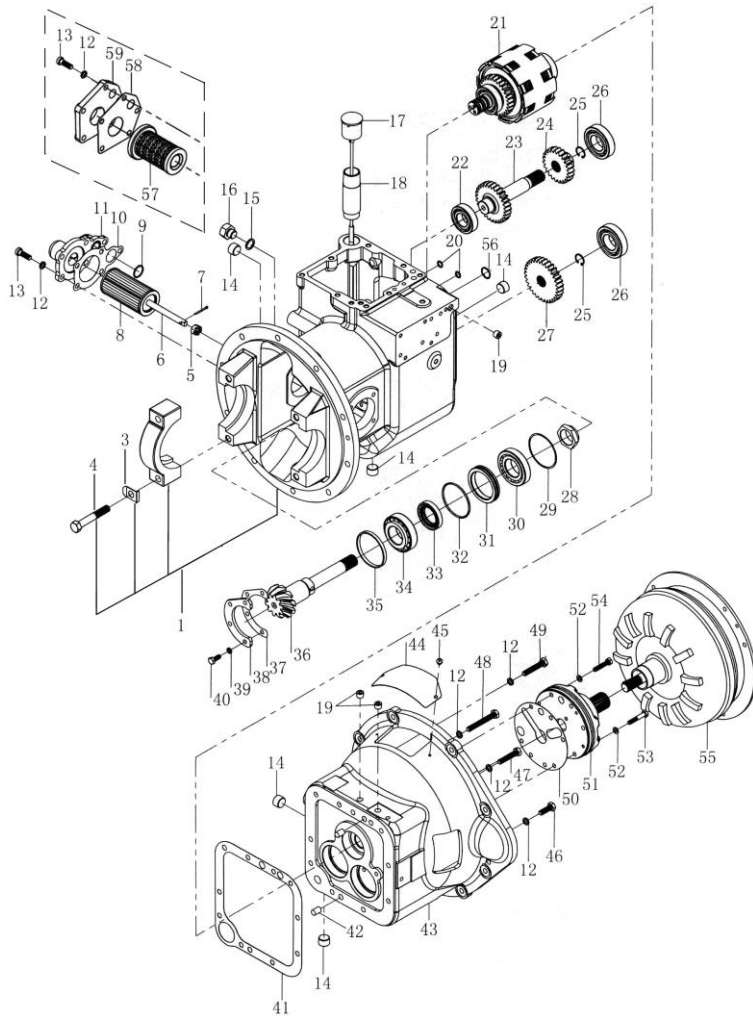
	序号 Item	物料码 Part No.	名称 Description	数量 Qty	备注或适用车型 Remarks or Serial No.	原物料码 Original Part No.
	22	810120000026	扭簧销 Pin	1		24433-70110G
	23	810120000040	右手制动推杆 Lever pushing,RH	1		24433-70120G-R
	24	810120000028	杆销挡圈 Retainer	1		24433-70170G
	25	810120000029	弹性垫片 Washer,lock	1		24433-70160G
	26	810120000030	弹簧 Spring	1		24433-70130G
	27	201700050017	手制动钢索总成(右) Cable, Control,RH	1	除外/Except ⓑ2 Ⓒ2 Ⓓ2 ⓓ2 ⓓ2 ⓓ2 ⓓ2 ⓓ2 ⓓ2 ⓓ2 ⓓ2 ⓓ2 ⓓ2 Ⓒ1 Ⓓ1 ⓐ1 ⓓ1 ⓓ1 ⓓ1 ⓓ1	N163-112200-000
	27	201700050018	手制动钢索总成(右) Cable, Control,RH	1	Ⓒ1 Ⓓ1 ⓐ1 ⓓ1 ⓓ1 ⓓ1 ⓓ1	R561-111100-000
	27	201700040068	手制动钢索总成(右) Cable, Control,RH	1	ⓑ2 Ⓒ2 Ⓓ2 ⓓ2 ⓓ2 ⓓ2 ⓓ2 ⓓ2 ⓓ2 ⓓ2 ⓓ2 ⓓ2	XRF310-112100-000

图 16 变速箱（液力式）绍兴 SHAOXIN
Fig. 16 Transmission(tor-con type)

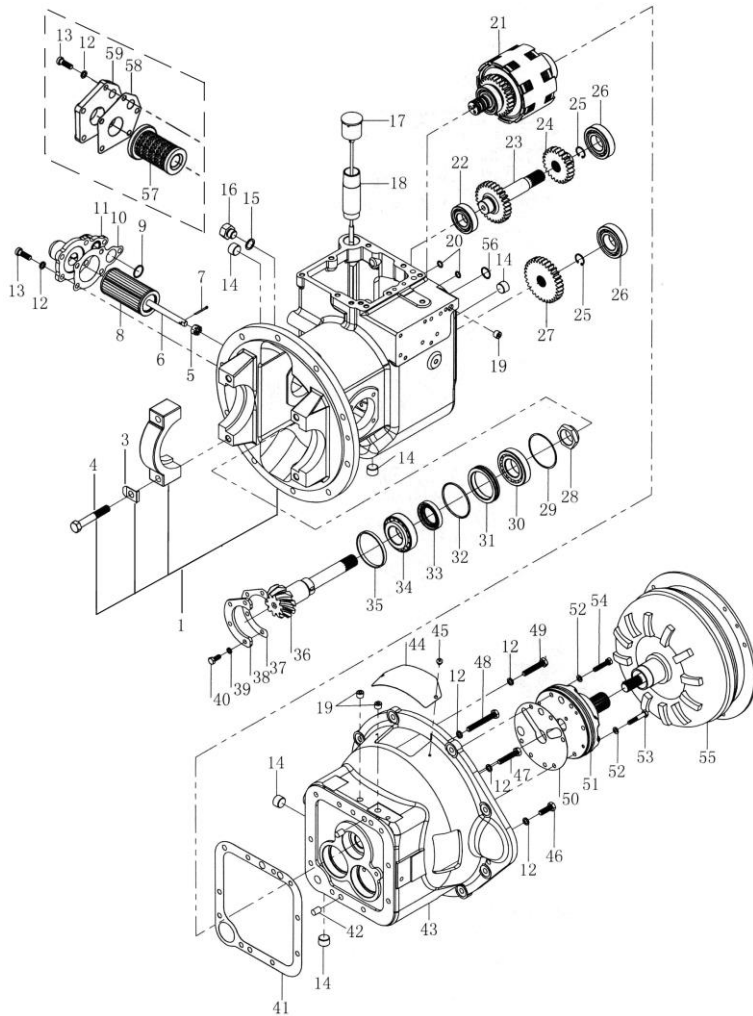
1.0t-3.8t
XYQXD 系列液力变速箱
XYQXD Series Hydrodynamic Gearbox



序号 Item	物料码 Part No.	名称 Description	数量 Qty	备注或适用车型 Remarks or Serial No.	原物料码 Original Part No.
1	81011000022	液力变速箱壳体组件 Case assy,Transmission	1	1t-1.8t:	YQX25D-0100
	81011000023	液力变速箱壳体组件 Case assy,Transmission	1	2t-3.8t	YQX30AS-0100
3	81011000024	锁片 Plate,Lock	4	1t-1.8t:	YQX25-0004
	81011000025	锁片 Plate,Lock	4	2t-3.8t	YQX30-0023
4	81011000026	螺栓 Bolt	4		YQX30-0101
5	81011000027	螺母 M12 Nut M12	1	2t-3.8t,	GB6181-86-12
6	81011000028	螺杆 Screw	1	2t-3.8t,	YQX30AS-0502
7	81011000029	开口销 3.2×28 Cotter pin 3.2×28	1	2t-3.8t,	GB91-86-3.2×28
8	81011000030	滤网组件 Filter components	1	2t-3.8t,	YQX30AS-0510
9	81011000031	O 形密封圈 28×2.4 O-ring 28×2.4	1	2t-3.8t,	GB1235-76-28×2.4
10	81011000032	纸垫 Paper pad	1	2t-3.8t,	YQX30AS-0503
11	81011000033	油滤座 Oil filter seat	1	2t-3.8t,	YQX30AS-0501
12	81011000034	垫圈 10 Washer 10	14		GB93-87-10
13	81011000035	螺钉 M10×30 Screw M10×30	5		GB70-85-M10×30

图 16 变速箱（液力式）绍兴 SHAOXIN
Fig. 16 Transmission(tor-con type)

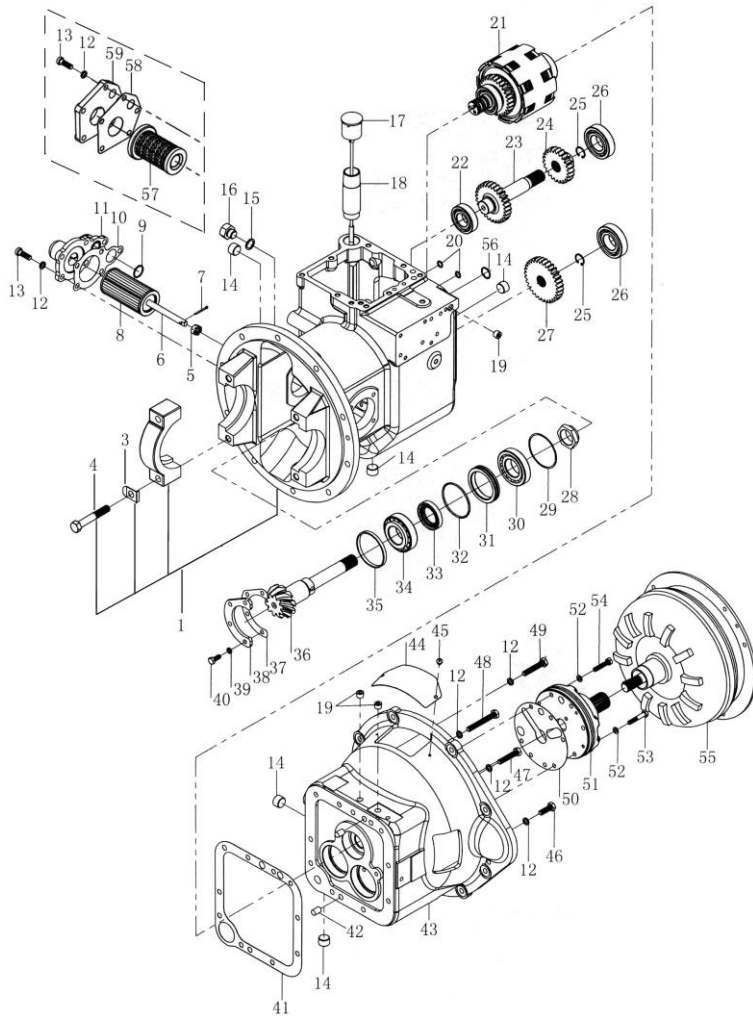
1.0t-3.8t
XYQXD 系列液力变速箱
XYQXD Series Hydrodynamic Gearbox



序号 Item	物料码 Part No.	名称 Description	数量 Qty	备注或适用车型 Remarks or Serial No.	原物料码 Original Part No.
14	810110000036	螺塞 R1/2 Screw plug R1/2	3		JB/ZQ4446-86-R1/2
15	810110000037	密封垫 18×24×2 Gasket 18×24×2	1		Q20-03-18×24×2
16	810110000038	螺塞 Screw plug	1		JDS30-0046
17	810110000039	加油器盖组件 Fuel lid assy	1		YQX30A-0400
18	810110000040	加油管 Pipe oil fill	1		YQX30A-0007
19	810110000041	螺塞 R1/4 Screw plug R1/4	3		JB/ZQ4446-86-R1/4
20	810110000042	O 形密封圈 15×2.4 O-ring 15×2.4	2		GB1235-76-15×2.4
21	810110000043	液力离合器总成 Hydraulic clutch,Assy	1	1t-1.8t 见图 17 See Fig.17	YQX30-1000A
21	810110000044	液力离合器总成 Hydraulic clutch,Assy	1	2t-3.8t 见图 17 See Fig.17	YQX38-1000
22	810110000045	轴承 6206 Bearing 6206	1		GB276-94-6206
23	810110000046	惰轮轴 Shaft,Idler	1		YQX30-0015
24	810110000047	惰轮 Gear,Idler	1		YQX30-0013
25	810110000048	孔用弹性挡圈 24 Circlips for holes 24	2		GB893.1-86-24
26	810110000049	轴承 6207 Bearing 6207	2		GB276-94-6207
27	810110000050	输出齿轮 Output gear	1		YQX30-0012

图 16 变速箱（液力式）绍兴 SHAOXIN
Fig. 16 Transmission(tor-con type)

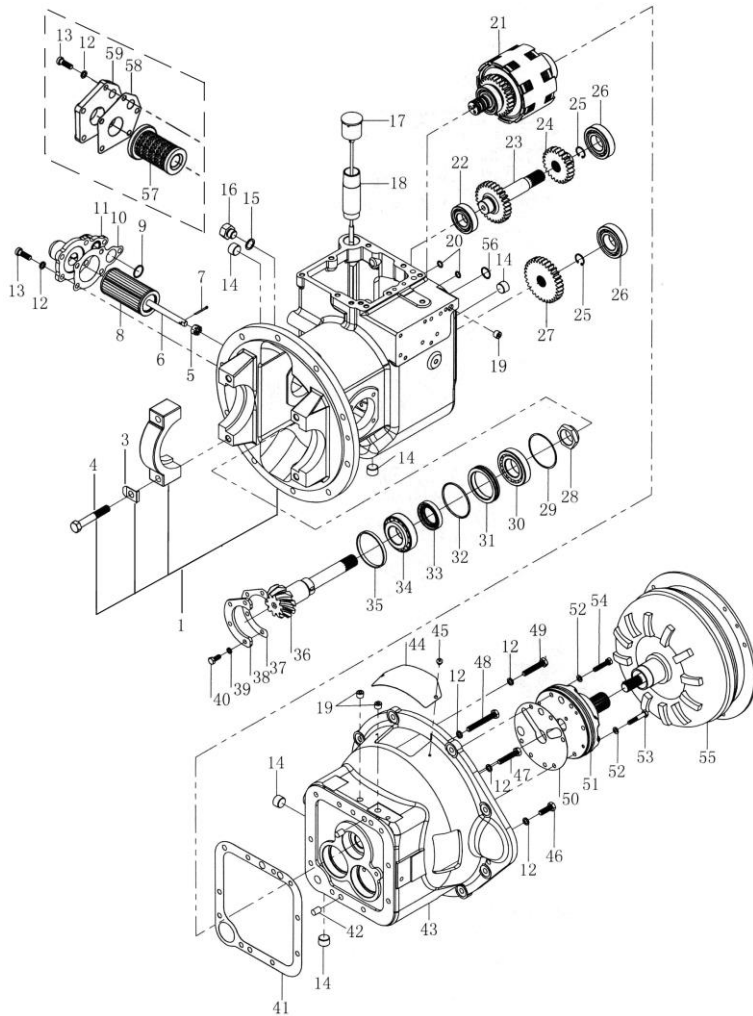
1.0t-3.8t
XYQXD 系列液力变速箱
XYQXD Series Hydrodynamic Gearbox



序号 Item	物料码 Part No.	名称 Description	数量 Qty	备注或适用车型 Remarks or Serial No.	原物料码 Original Part No.
28	810110000051	锁紧螺母 Nut	1		YQX30-0014
29	810110000052	垫 Pad		按需 Need	YQX30-0016
30	810110000053	轴承 30208 Bearing 30208	1		GB297-94-30208
31	810110000054	油封保持架 Retainer,Oil seal	1		YQX30-0001
32	810110000055	O 形圈 80×3.1 O-ring 80×3.1	1		GB1235-76-80×3.1
33	810110000056	输出轴油封 Seal,Oil	1		YQX30-0005
34	810110000057	轴承 32208 Bearing 32208	1		GB297-94-32208
35	810110000058	轴环 Collar	1		YQX30-0003
36	1t-1.8t, 见图 20 序号 7 See Fig.20 Item 7	输出轴 Shaft,Output	1		
36	2t-2.5t, 见图 20 序号 7 See Fig.20 Item 7	输出轴 Shaft,Output	1		
36	3t-3.8t, 见图 20 序号 7 See Fig.20 Item 7	输出轴 Shaft,Output	1		
37	810110000059	垫片 Shim		按需 Need	YQX30-0002
38	810110000060	支承片 Plate,Bearing support	1		YQX30-0004
39	810110000061	垫圈 8 Washer 8	4		GB93-87-8
40	810110000062	螺栓 M8×20 Bolt M8×20	4		GB5783-86-M8×20

图 16 变速箱（液力式）绍兴 SHAOXIN
Fig. 16 Transmission(tor-con type)

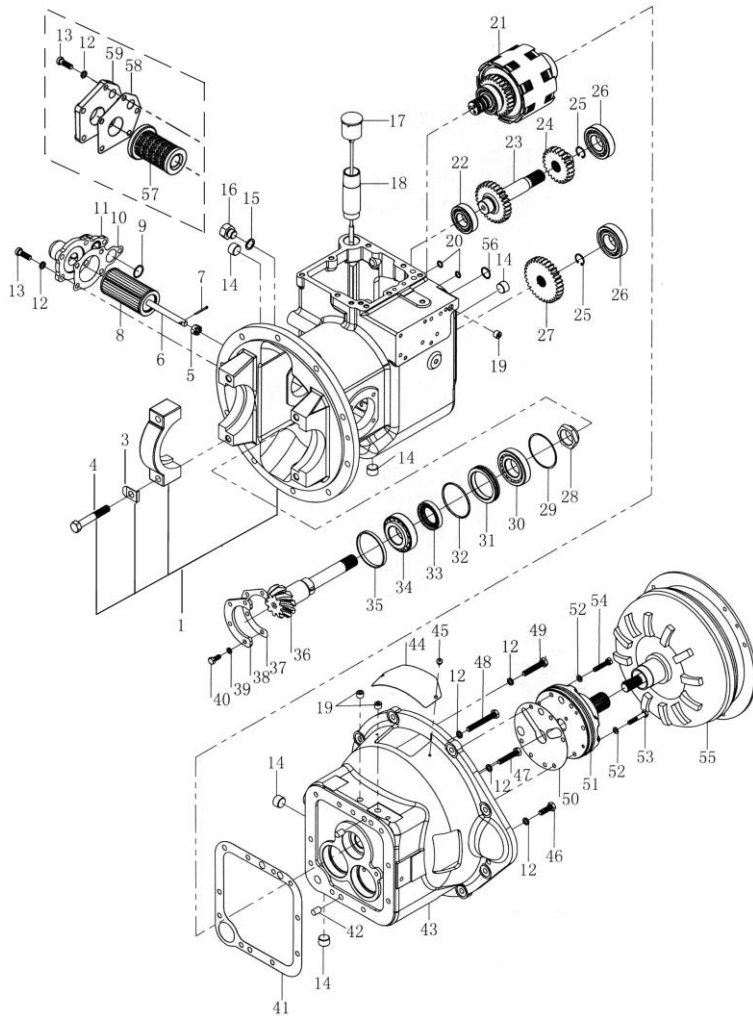
1.0t-3.8t
XYQXD 系列液力变速箱
XYQXD Series Hydrodynamic Gearbox



序号 Item	物料码 Part No.	名称 Description	数量 Qty	备注或适用车型 Remarks or Serial No.	原物料码 Original Part No.
41	810110000063	垫片 Shim	1		YQX30AS-0001
42	810110000064	圆柱销 B12×20 Pin,Parallel B12×20	2		GB119-86-B12×20
43	810110000065	变矩器壳体 Case, Torque-converter	1	XYQXD18	YQXL18H-0201
	810110000066	变矩器壳体 Case, Torque-converter	1	XYQXD18A	YQXL18-0201
	810110000067	变矩器壳体 Case, Torque-converter	1	XYQXD25, XYQXD30	YQX30H-0201
	810110000068	变矩器壳体 Case, Torque-converter	1	XYQXD25A, XYQXD30A	YQX30-0201
44	810110000069	盖板 Cover	1		YQX30-0202
45	810110000070	十字槽螺钉 M6×12 Screw M6×12	2		GB818-85-M6×12
46	810110000071	螺栓 M10×30 Bolt M10×30	4		GB5783-86-M10×30
47	810110000072	螺栓 M10×50 Bolt M10×50	1		GB5783-86-M10×50
48	810110000073	螺栓 M10×75 Bolt M10×75	1		GB5783-86-M10×75
49	810110000074	螺栓 M10×55 Bolt M10×55	3		GB5783-86-M10×55
50	810110000075	垫片 Shim	1		YQX30-0010
51	810110000076	油泵总成 Charging pump	1	见图 19 See Fig.19	YQX30-3000
52	810110000077	密封圈 8×14×1.5 Gasket 8×14×1.5	6		Q20-03-8×14×1.5

图 16 变速箱（液力式）绍兴 SHAOXIN
Fig. 16 Transmission(tor-con type)

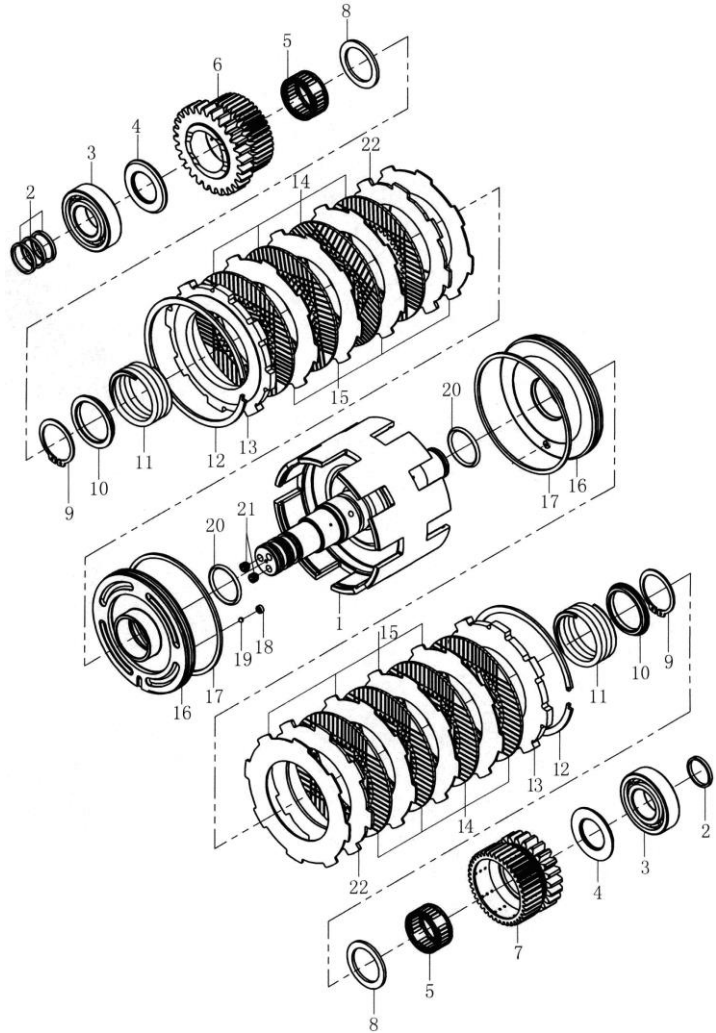
1.0t-3.8t
XYQXD 系列液力变速箱
XYQXD Series Hydrodynamic Gearbox



序号 Item	物料码 Part No.	名称 Description	数量 Qty	备注或适用车型 Remarks or Serial No.	原物料码 Original Part No.
53	810110000078	螺栓 M8×45 Bolt M8×45	4		GB5780-86-M8×45
54	810110000079	螺栓 M8×40 Bolt M8×40	2		GB5780-86-M8×40
55	810110000080	YJH265E-2 液力变矩器 Torque-converter	1	XYQXD18	XYQX18H-6000
55	810110000081	YJH265E-3 液力变矩器 Torque-converter	1	XYQXD18A	XYQX18-6000
55	810110000082	YJH265G-2 液力变矩器 Torque-converter	1	XYQXD25, XYQXD30	XYQX30H-6000
55	810110000083	YJH265G-3 液力变矩器 Torque-converter	1	XYQXD25A, XYQXD30A	XYQX30-6000
56	810110000084	O 形密封圈 24×2.4 O-ring 24×2.4	1		GB1235-76-24×2.4
57	810110000085	滤网组件 Filter components	1	1t-1.8t,	YQX30B-0510
58	810110000086	滤油座纸垫 Paper pad, Oil filter seat	1	1t-1.8t,	YQX30D-0502
59	810110000087	油滤座 Oil filter seat	1	1t-1.8t,	YQX30D-0501

图 17 液力离合器（液力式）绍兴 SHAOXIN
Fig.17 Hydraulic clutch(tor-con type)

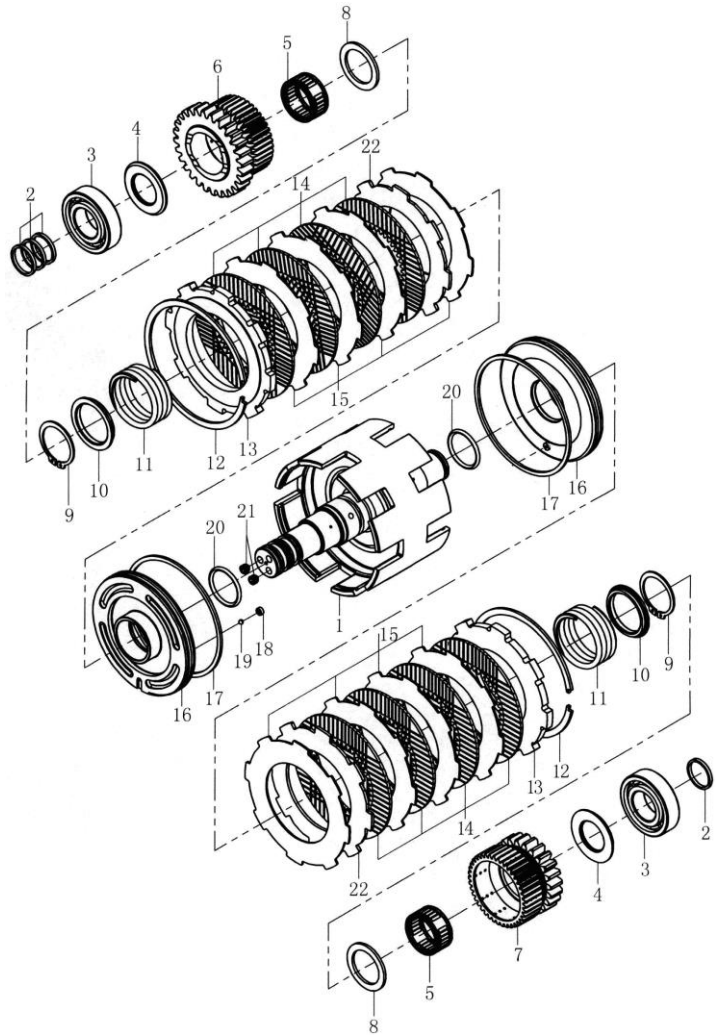
1.0t-3.8t
XYQXD 系列液力变速箱
XYQXD Series Hydrodynamic Gearbox



序号 Item	物料码 Part No.	名称 Description	数量 Qty	备注或适用车型 Remarks or Serial No.	原物料码 Original Part No.
A1	810110000043	液力离合器总成 Hydraulic clutch,Assy	1	1t-1.8t	YQX30-1000A
A2	810110000044	液力离合器总成 Hydraulic clutch,Assy	1	2t-3.8t	YQX38-1000
1	810110000091	输入轴组件 Shaft assy,Input	1		YQX30-1100A
2	810110000092	密封环 (A) Ring,Seal	4		YQX30-1006
3	810110000045	轴承 6206 Bearing 6206	2		GB276-94-6206
4	810110000094	离合器-止推环 (B) Ring,Thrust	2		YQX30-1007
5	810110000095	滚针轴承 Bearing,Needle	2		K35×42×20
6	810110000096	倒车档齿轮 Gear,Reverse	1		YQX30-1005
7	810110000097	前进档齿轮 Gear,Forward	1		YQX30-1003
8	810110000098	离合器-止推环 (A) Ring,Thrust	2		YQX30-1008
9	300060030016	轴用弹性挡圈 40 Circlips for shaft 40	2		G0894P1-000040-00
10	810110000100	弹簧座 Seat,Spring	2		YQX30-1009
11	810110000101	回程弹簧 Spring,Return	2		YQX30-1004
12	810110000102	卡环 Snap ring	2		YQX30-1014
13	810110000103	端板 Plate,End	8	1t-3.8t	YQX30-1001

图 17 液力离合器（液力式）绍兴 SHAOXIN
Fig.17 Hydraulic clutch(tor-con type)

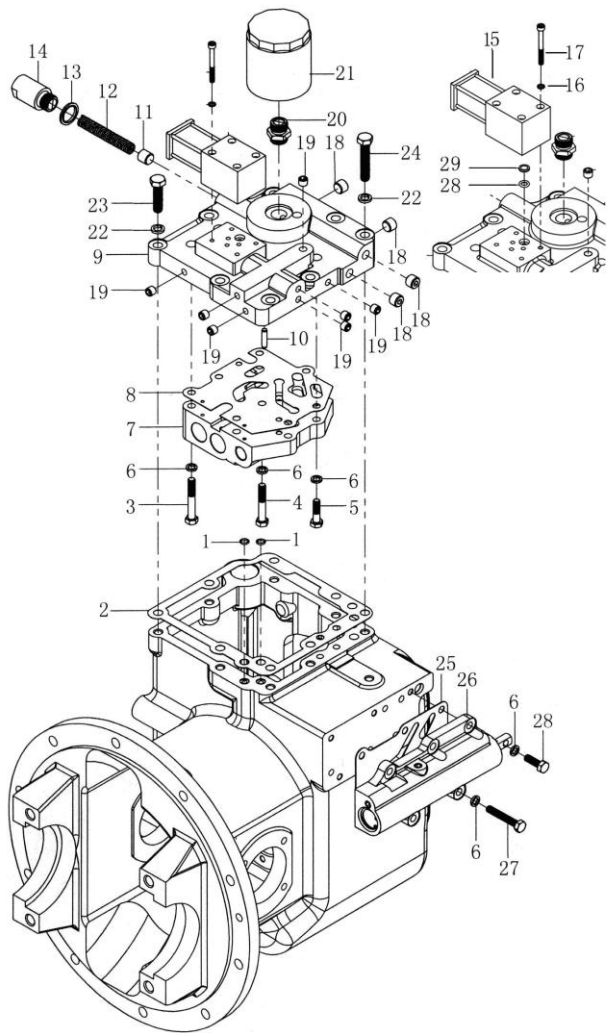
1.0t-3.8t
XYQXD 系列液力变速箱
XYQXD Series Hydrodynamic Gearbox



序号 Item	物料码 Part No.	名称 Description	数量 Qty	备注或适用车型 Remarks or Serial No.	原物料码 Original Part No.
14	810110000104	摩擦片 Disk,Friction	8	1t-1.8t	YQX30-1013B
	810110000104	摩擦片 Disk,Friction	10	2t-3.8t	YQX30-1013B
15	810110000106	隔片 Spacer	6	1t-1.8t,	YQX30-1012A
	810110000107	隔片 Spacer	8	2t-3.8t	YQX38-1012
16	810110000108	活塞组件 Piston assy		INC:16,18,19	YQX30-1300
17	810110000109	密封环 (B) Ring,seal	2		YQX30-1011
18	No Part No.	堵塞 Plug	2		
19	No Part No.	钢球 3.1750G200b Ball,Steel3.1750G200b	2		
20	810110000110	O 形圈 40×3.5 O-ring, 40×3.5	2		GB1235-76-40×3.5
21	810110000111	螺钉 M8×8 Screw, M8×8	2		GB78-85-M8×8
22	810110000112	蝶形板 Disc shaped plate	2	1t-1.8t	YQX18-1002

图 18 盖、控制阀、微动阀（液力式）绍兴
 Fig.18 Cover control valve & inching valve (tor-con type) SHAOXIN

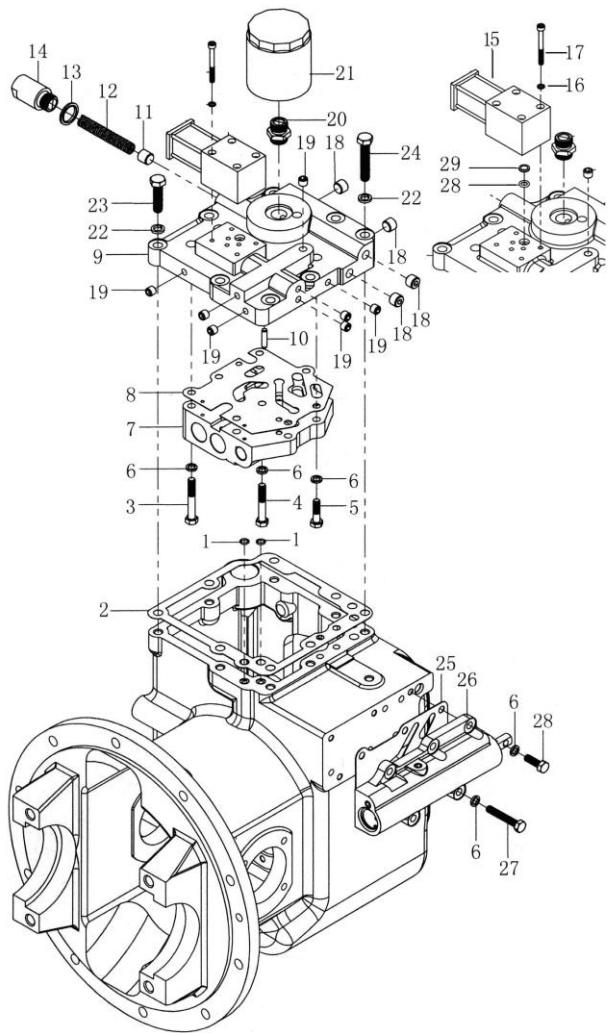
1.0t-3.8t
 YQXD（电磁阀换向）系列液力变速箱
 YQXD (Solenoid valve Commutation) Series Hydrodynamic Gearbox



序号 Item	物料码 Part No.	名称 Description	数量 Qty	备注或适用车型 Remarks or Serial No.	原物料码 Original Part No.
1	810110000113	O 形密封圈 11×1.9 O-ring 11×1.9	2		GB1235-76-11×1.9
2	810110000114	垫片 Shim	1		YQX30-0008
3	810110000115	螺栓 M8×55 Bolt M8×55	3		GB5782-86-M8×55
4	810110000116	螺栓 M8×50 Bolt M8×50	3		GB5782-86-M8×50
5	810110000117	螺栓 M8×30 Bolt M8×30	2		GB5782-86-M8×30
6	810110000061	弹簧挡圈 8 Washer 8	13		GB93-87-8
A1	810110000119	盖和控制阀总成 Assy, Cover Control valve	1	包含 INC:7-14,18-20,	YQX30D-4100
7	810110000120	控制阀总成 Control valve	1	不单独提供 Do not supply separately	YQX30D-4120
8	810110000121	密封垫 Gasket	1		YQX30-4001
9	810110000122	壳体盖 Cover,Case	1	不单独提供 Do not supply separately	YQX30D-4111
10	810110000123	圆柱销 A6×25 Pin,Parallel A6×25	1		GB119-86-A6×25
11	810110000124	活塞 Piston	1		YQX30D-4112
12	810110000125	弹簧 Spring	1		YQX30-4003
13	810110000126	组合密封垫 20 Combination gasket 20	1		JB982-77-20
14	810110000127	安全阀盖 Cup	1		YQX30-4002

图 18 盖、控制阀、微动阀（液力式）绍兴
Fig.18 Cover control valve & inching valve (tor-con type) SHAOXIN

1.0t-3.8t
YQXD（电磁阀换向）系列液力变速箱
YQXD (Solenoid valve Commutation) Series Hydrodynamic Gearbox



序号 Item	物料码 Part No.	名称 Description	数量 Qty	备注或适用车型 Remarks or Serial No.	原物料码 Original Part No.
15	810110000128	电磁换向阀, 四线插头 Solenoid valve, 4-way plug	1	≥2012-01 防水接插件 Plug & Socket Waterproof	YQX30DH-4200
16	810110000129	弹簧挡圈 5 Spring block circle 5	4		GB859-76-5
17	810110000130	螺钉 M5×50 Screw M5×50	4		GB70-85-M5×50
18	810110000131	内六角螺塞 ZG1/4 Plug, Hexagon ZG1/4	4		Q/ZB285-ZG1/4
19	810110000132	内六角螺塞 ZG1/8 Plug, Hexagon ZG1/8	7		Q/ZB285-ZG1/8
20	810110000133	管接头 Nipple	1		YQX30-4005
21	810110000134	滤油器 (II) Oil filter	1		YQX30-0300
22	810110000034	垫圈 10 Washer 10	8		GB93-87-10
23	810110000136	螺栓 M10×40 Bolt M10×40	6		GB5783-86-M10×40
24	810110000074	螺栓 M10×55 Bolt M10×55	2		GB5783-86-M10×55
25	810110000138	衬垫 Liner	1		YQX30-0022
26	810110000139	微动阀总成 Inching valve	1		YQX30-5000
27	810110000140	螺栓 M8×50 Bolt M8×50	2		GB5783-86-M8×50
28	810110000141	螺栓 M8×25 Bolt M8×25	3		GB5783-86-M8×25

图 19 供油泵（液力式）绍兴 SHAOXIN
Fig.19 Charging pump(tor-con type)

1.0t-3.8t
XYQXD（电磁阀换向）系列液力变速箱
XYQXD (Solenoid valve Commutation) Series Hydrodynamic Gearbox

序号 Item	物料码 Part No.	名称 Description	数量 Qty	备注或适用车型 Remarks or Serial No.	原物料码 Original Part No.
A	810110000076	油泵总成 Charging pump	1	见图 16 序号 51 See Fig.16 Item 51	YQX30-3000
1	810110001413	泵壳 Case,Pump	1		YQX30-3007
2	810110000146	衬套 Bushing	1		YQX30-3001
3	810110000147	油封（F）B50×68×8 Seal,Oil B50×68×8	1		GB9877.1-88-B50×68×8
4	810110000148	O 型密封圈 145×3.55 O-ring 145×3.55	1		GB3452.1-92-145×3.55
5	810110000141	螺栓 M8×25 Bolt M8×25	1		GB5783-86-M8×25
6	810110000150	螺栓 M8×35 Bolt M8×35	1		GB5783-86-M8×35
7	810110000077	密封圈 8×14×1.5 Gasket 8×14×1.5	2		Q20-03-8×14×1.5
8	810110001412	主动齿轮 Gear,Drive	1		YQX30-3003
9	810110000153	衬套 Bushing	1		YQX30-3004
10	810110000154	被动齿轮 Gear,Driven	1		YQX30-3005
11	810110001411	圆柱销 B8×16 Pin,Parallel B8×16	2		GB119-86-B8×16
12	810110000155	导轮座 Support,Starter	1		YQX30-3006

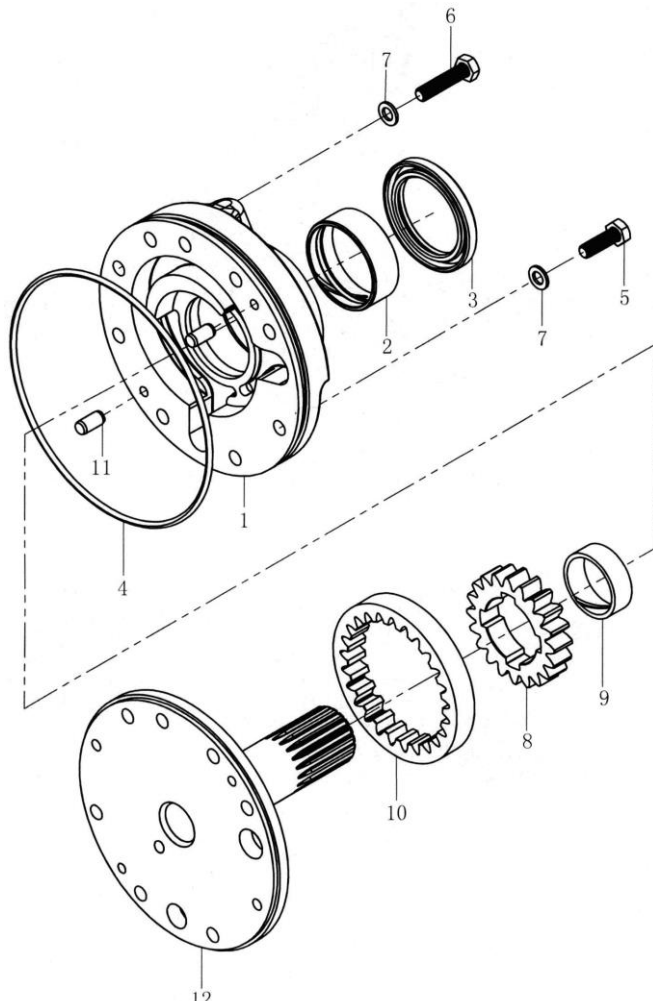


图 20 减速器和差速器 (绍兴)
Fig.20 Reduction & differential (ShaoXin)

1.0t-3.8t
全部车型 All models of truck

序号 Item	物料码 Part No.	名称 Description	数量 Qty	备注或适用车型 Remarks or Serial No.	原物料码 Original Part No.
	1	螺栓 M10×25 Bolt M10×25	8		GB5783-86-M10×25
	2	垫圈 10 Washer 10	8		GB93-87-10
	3	轴承盖 Cover,Bearing	2		YQX30-0021
	4	O型密封圈 75×3.1 O-ring 75×3.1	2		GB1235-76-75×3.1
	5	垫片 (δ=0.1,0.2,0.5) Shim (δ=0.1,0.2,0.5)		按需 Need	YQX30-0017
	6	轴承 32207 Bearing 32207	2		GB297-94-32207
	7	螺旋伞齿轮组件 Spiral bevel gear assy	1	1t-1.8t 液力车	YQX25-0900
	8	螺旋伞齿轮组件 Spiral bevel gear assy	1	2t-3.8t 液力车	YQX38-0900
	9	螺旋伞齿轮组件 Spiral bevel gear assy	1	1t-1.8t 机械车	JDQL18-0900
	10	螺旋伞齿轮组件 Spiral bevel gear assy	1	2t-2.5t 机械车	JDS30-0900
	11	螺旋伞齿轮组件 Spiral bevel gear assy	1	3t-3.8t 机械车	JDS38-0900
	12	衬套 Bushing	1		YQX30-0019
	13	齿轴 Shaft,Final pinion	1	1t-1.8t	YQX25-0002
	14	齿轴 Shaft,Final pinion	1	2t-2.5t	YQX25HH-0002
	15	齿轴 Shaft,Final pinion	1	3t-3.8t 机械车	YQX30-0018

图 20 减速器和差速器 (绍兴)
Fig.20 Reduction & differential (ShaoXin)

1.0t-3.8t
全部车型 All models of truck

序号 Item	物料码 Part No.	名称 Description	数量 Qty	备注或适用车型 Remarks or Serial No.	原物料码 Original Part No.
9	810110000171	齿轴 Shaft,Final pinion	1	3t-3.8t 液力车	YQX30S-0018
A1	810110000172	差速器总成 Differential assy	1	1t-1.8t 包含/INC:10-23	YQX25-2000
A1	810110000173	差速器总成 Differential assy	1	2t-2.5t XJDS 机械变速箱 Mechanical Gearbox 包含/INC:10-23	JDS30-2000
A2	810110000174	差速器总成 Differential assy	1	2t-2.5t 液力变速箱 Hydrodynamic Gearbox 包含/ INC:10-12,16-24	YQX25HH-2000
A3	810110000175	差速器总成 Differential assy	1	3t-3.8t 包含/INC:10-25	YQX30-2000
10	810110000176	大齿圈 Gear ring	1	1t-1.8t	YQX25-2003
	810110000177	大齿圈 Gear ring	1	2t-2.5t	YQX25HH-2003
	810110000178	大齿圈 Gear ring	1	3t-3.8t	YQX30-2003
B	810110000179	差速器壳体组件 Case assy,Differential Gear	1	1t-1.8t	YQX25-2100
B	810110000180	差速器壳体组件 Case assy,Differential Gear	1	2t-2.5t	YQXC30-2100
B	810110000181	差速器壳体组件 Case assy,Differential Gear	1	3t-3.8t	YQX30-2100
11	NO PART NO.	差速器右半壳 Case RH, Differential Gear	1		
12	NO PART NO.	差速器左半壳 Case LH, Differential Gear	1		

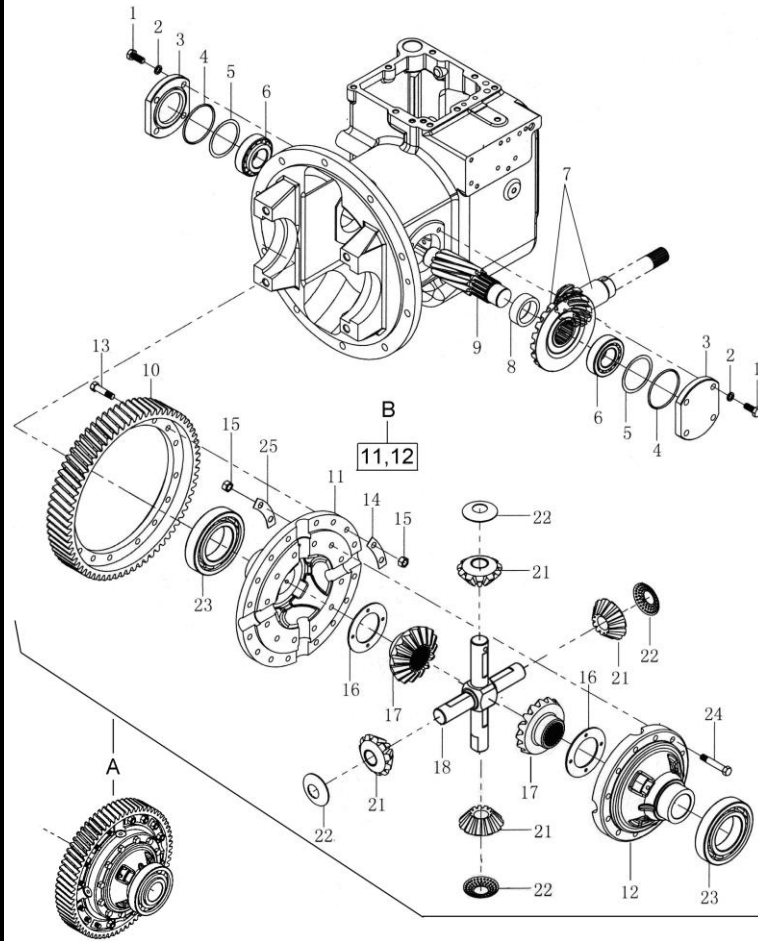


图 20 减速器和差速器 (绍兴)
Fig.20 Reduction & differential (ShaoXin)

1.0t-3.8t
全部车型 All models of truck

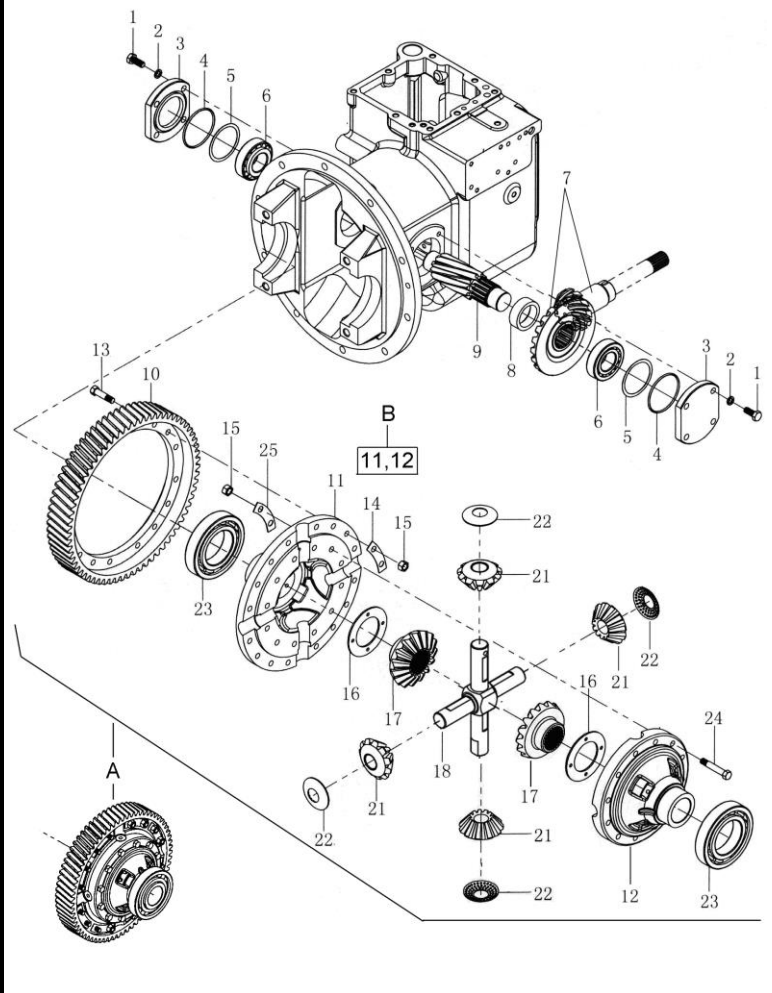
	序号 Item	物料码 Part No.	名称 Description	数量 Qty	备注或适用车型 Remarks or Serial No.	原物料码 Original Part No.
	13	810110000182	螺栓 Bolt	12	1t-1.8t	YQX25-2002
	13	810110000183	螺栓 Bolt	16	2t-3.8t	YQX30-2002
	14	810110000184	锁紧垫片 Washer,Lock	6	1t-1.8t	YQX25-2001
		810110000185	锁紧垫片 Washer,Lock	8	2t-2.5t	YQXC30-2001
		810110000186	锁紧垫片 Washer,Lock	8	3t-3.8t	YQX30-2001
	15	810110000187	螺母 M10×1.25 Nut M10×1.25	12	1t-1.8t	GB6176-86-M10×1.25
	15	810110000187	螺母 M10×1.25 Nut M10×1.25	12	2.0t-2.5t	GB6176-86-M10×1.25
	15	810110000187	螺母 M10×1.25 Nut M10×1.25	28	3t-3.8t	GB6176-86-M10×1.25
	16	810110000188	垫圈 Washer	2	1t-1.8t	YQX25-2007
	16	810110000189	垫圈 Washer	2	2t-3.8t	YQX30-2007
	17	810110000190	半轴齿轮 Gear side	2	1t-1.8t	YQX25-2009
	17	810110000191	半轴齿轮 Gear side	2	2t-3.8t	YQX30-2009
	18	810110000192	十字齿轮轴 Cross gear shaft	1	1t-1.8t	YQX25-2005/2008
	18	810110000193	十字齿轮轴 Cross gear shaft	1	2t-3.8t	YQX30-2005/2008
	21	810110000194	行星齿轮 Planetary pinion	4	1t-1.8t	YQX25-2006

图 20 减速器和差速器 (绍兴)
Fig.20 Reduction & differential (ShaoXin)

1.0t-3.8t
全部车型 All models of truck

序号 Item	物料码 Part No.	名称 Description	数量 Qty	备注或适用车型 Remarks or Serial No.	原物料码 Original Part No.
21	810110000195	行星齿轮 Planetary pinion	4	2t-3.8t	YQX30-2006
22	810110000196	止推垫圈 Washer,Thrust	4	1t-1.8t	YQX25-2004
	810110000197	止推垫圈 Washer,Thrust	4	2t-3.8t	YQX30-2004
23	810110000198	轴承 6211 Bearing 6211	2	1t-1.8t	GB276-94-6211
	810110000199	轴承 6213 Bearing 6213	2	2t-3.8t	GB276-94-6213
24	810110000200	螺栓 Bolt	12	2t-3.8t	YQX30-2104
25	810110000201	锁紧垫片 Washer,Lock	6	3t-3.8t	YQX30-2103

图 21 变速器(机械式 其 1) 绍兴 ShaoXin
Fig.21 Transmission(clutch type part-1)

1.0t-3.8t
XJDS 系列机械变速箱
XJDS Series Mechanical Gearbox

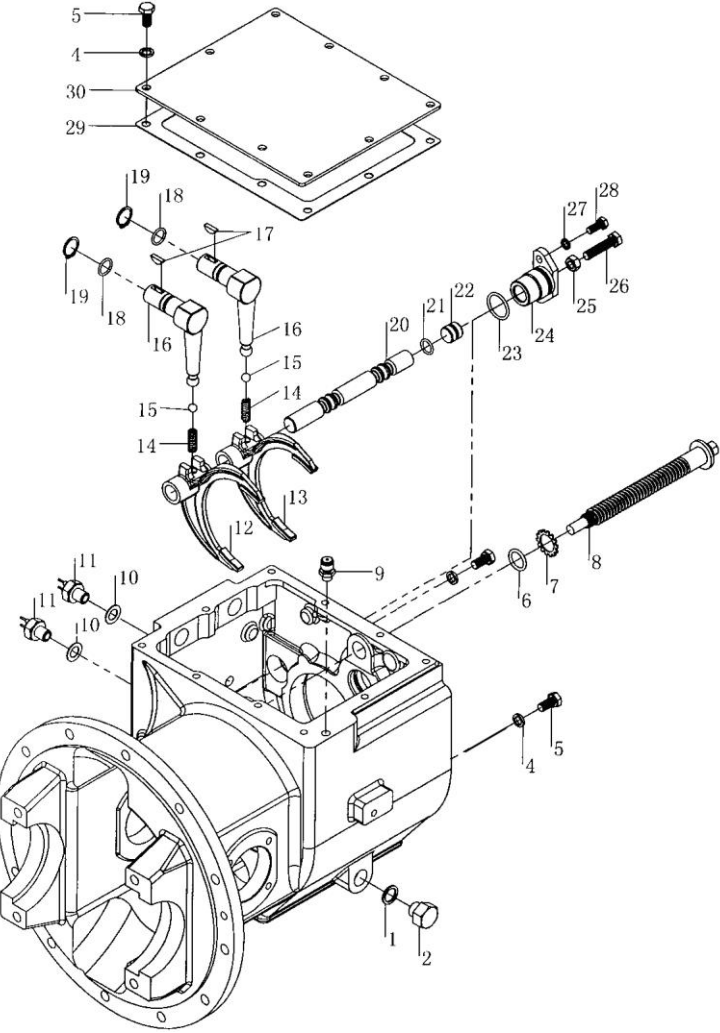
	序号 Item	物料码 Part No.	名称 Description	数量 Qty	备注或适用车型 Remarks or Serial No.	原物料码 Original Part No.
	1	810110000037	密封垫圈 18×24×2 Washer 18×24×2	1		Q20-03-18×24×2
	2	810110000038	螺塞 M18×1.5 Plug M18×1.5	1		JDS30-0046
	4	810110000034	弹簧垫圈 10 Washer lock 10	10		GB93-87-10
	5	810110000205	螺栓 M10×20 Bolt M10×20	10		GB5783-86-M10×20
	6	810110000206	O 形密封圈 28×3.5 O-ring	1		GB1235-76-28×3.5
	7	810110000207	外齿弹性垫圈 Washer	1		JDS30-0017
	8	810110000208	滑动螺杆 Bolt,slide	1		JDS30-0010
	9	810110000209	钢球通气塞 Z"1/8"—27 Air breather	1		Q903-Z"1/8"—27
	10	810110000210	密封圈 14×24×1 Seal ring 14×24×1	2		14×24×1 Q/301B202-86
	11	810110000211	倒车灯开关 Switch,back-lamp	2		JK208H-3
	12	810110000212	拨叉 Fork,shift	1		JDS30IIL-0003
	13	810110000213	拨叉 Fork,shift	1		JDS30-0003
	14	810110000214	弹簧 Spring	2		JDS30-0004
	15	810110000215	钢球 10.0000 G2006 Ball,steel	2		GB308-89-10.000G200b

图 21 变速器(机械式 其 1) 绍兴 ShaoXin
Fig.21 Transmission(clutch type part-1)

1.0t-3.8t
XJDS 系列机械变速箱
XJDS Series Mechanical Gearbox

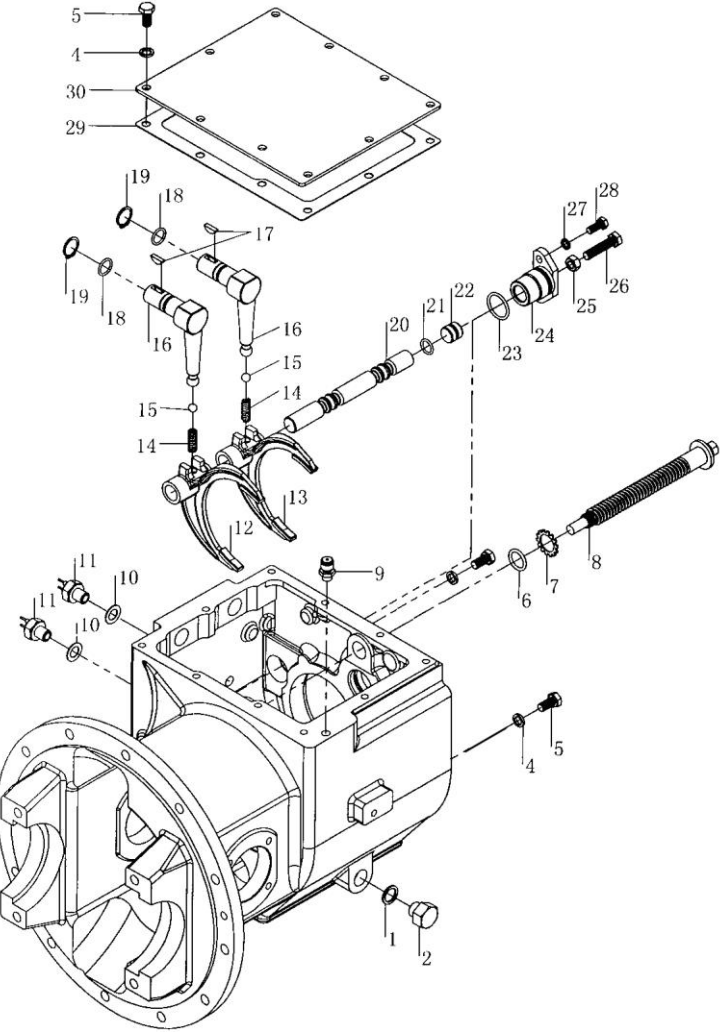
	序号 Item	物料码 Part No.	名称 Description	数量 Qty	备注或适用车型 Remarks or Serial No.	原物料码 Original Part No.
	16	810110000216	传动杆 Lever,shift	2		JDS30-0006
	17	810110000217	半圆键 5×19 Key,woodruf 5×19	2		GB1099-79-5×19
	18	810110000218	O 形圈 22×2.4 O-ring 22×2.4	2		GB1235-76-22×2.4
	19	810110000219	轴用弹性挡圈 22 Snap ring 22	2		GB894.1-86-22
	20	810110000220	换挡杆 Rod,shift	1		JDS30-0005
	21	810110000221	O 形密封圈 20×2.5 O-ring 20×2.5	1		GB1235-76-20×2.5
	22	810110000222	塞 Plug	1		JDS30-0043
	23	810110000223	O 形密封圈 35×3.1 O-ring 35×3.1	1		GB1235-76-35×3.1
	24	810110000224	轴臂 Supporter,arm shaft	1		JDS30-0041
	25	810110000225	螺母 M10 Nut M10	1		GB6170-86-M10
	26	810110000226	螺栓 M10×45 Bolt M10×45	1		GB5783-86-M10×45
	27	810110000061	弹簧垫圈 8 Washer lock 8	2		GB93-87-8
	28	810110000062	螺栓 M8×20 Bolt M8×20	2		GB5783-86-M8×20
	29	810110000229	箱盖垫片 Gasket,case cover	1		JDS30-0008
	30	810110000230	箱盖 Cover,case	1		JDS30-0007

图 22 变速器(机械式 其 2) 绍兴 ShaoXin
Fig.22 Transmission(clutch type part-2)

1.0t-3.8t
XJDS 系列机械变速箱
XJDS Series Mechanical Gearbox

序号 Item	物料码 Part No.	名称 Description	数量 Qty	备注或适用车型 Remarks or Serial No.	原物料码 Original Part No.
1	810110000232	孔用弹性挡圈 80 Snap ring 80	1		GB893.2-86-80
2	810110000233	轴承垫圈 Spacer	1		JDS30-0009
3	810110000234	轴用弹性挡圈 35 Snap ring 35	1		GB894.1-86-35
4	810110000235	隔圈 Spacer	1		JDS30-0202
5	810110000236	止动环 72/78.6 Ring,thrust	1		GB305-89-72/78.6
6	810110000237	轴承 6207N bearing	1		GB276-94-6207N
7	810110000238	隔套 Spacer	1		JDS30-0203
8	810110000049	轴承 6207 bearings	1		GB276-94-6207
9	810110000240	输入齿轮 Gear,input	1		JDS30-0201
10	810110000241	主动轴 Shaft,main drive	1		JDS30-0301
11	810110000242	轴用弹性挡圈 25 Snap ring	2		GB894.1-86-25
12	810110000243	轴承 6005 bearing	1		GB276-94-6005
13	810110000244	孔用弹性挡圈 47 Snap ring	1		GB893.2-86-47
14	810110000245	油封 25×40×8 Seal,oil	1		JDS30-0019
15	810110000246	轴承架 Retainer,bearing	1		JDS30-0016

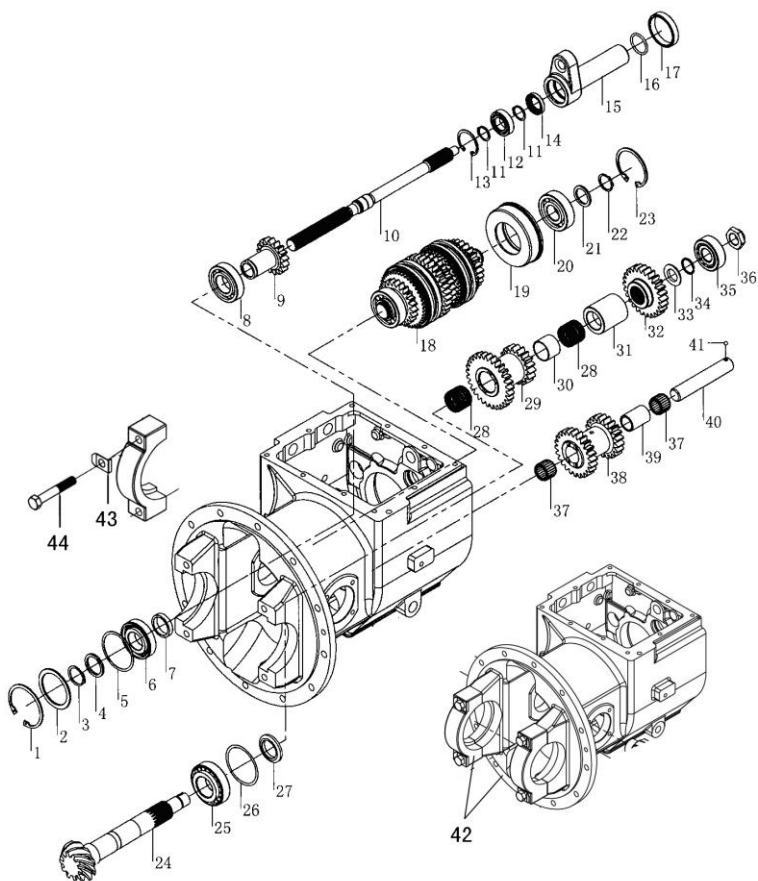


图 22 变速器(机械式 其 2) 绍兴 ShaoXin
Fig.22 Transmission(clutch type part-2)

1.0t-3.8t
XJDS 系列机械变速箱
XJDS Series Mechanical Gearbox

序号 Item	物料码 Part No.	名称 Description	数量 Qty	备注或适用车型 Remarks or Serial No.	原物料码 Original Part No.
16	810110000247	O 形密封圈 42×3.5 O-ring	1		GB1235-76-42×3.5
17	810110000248	轴环 Collar	1		JDS30-0018
18	810110000249	主轴组件 Spindle assy	1	见图 23 See Fig. 23	JDS30-0400
19	810110000250	轴保持圈 Retainer, bearing	1		JDS30-0029
20	810110000251	轴承 6306 bearing	1		GB276-94-6306
21	810110000252	隔圈 Spacer	1		JDS30-0027
22	810110000253	轴用弹性挡圈 30 Snap ring	1		GB894.1-86-30
23	810110000254	孔用弹性挡圈 72 Snap ring	1		GB893.2-86-72
24	810110000255	输出轴 Shaft,output	1	1t-1.8t	JDS18-0001
	810110000256			2t-3.8t	JDS30-0040
25	810110000057	轴承 32208 bearing	1		GB297-94-32208
26	810110000258	垫片 δ=0.1 Shim	按需 Need		JDS30-0011 (δ=0.1)
	810110000259	垫片 δ=0.2 Shim			JDS30-0011 (δ=0.2)
	810110000260	垫片 δ=0.3 Shim			JDS30-0011 (δ=0.3)

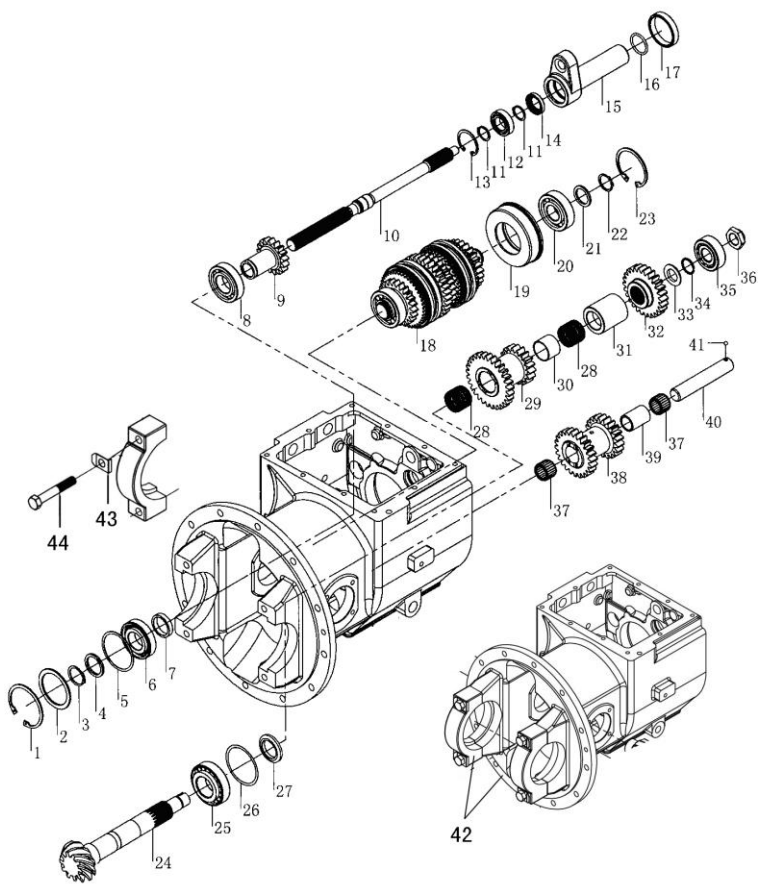


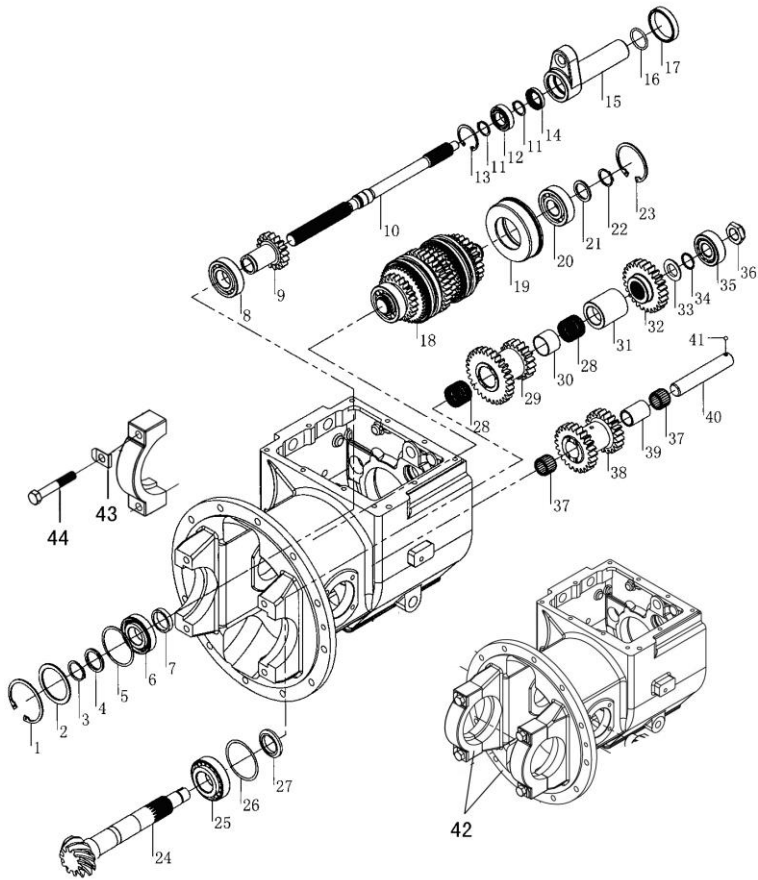
图 22 变速器(机械式 其 2) 绍兴 ShaoXin
Fig.22 Transmission(clutch type part-2)

1.0t-3.8t
XJDS 系列机械变速箱
XJDS Series Mechanical Gearbox

序号 Item	物料码 Part No.	名称 Description	数量 Qty	备注或适用车型 Remarks or Serial No.	原物料码 Original Part No.
27	810110000261	止推垫圈 Washer,stop	1	1t-1.8t	JDSL18-0012
27	810110000262	止推垫圈 Washer,stop	1	2t-3.8t	JDS30-0012
28	810110000263	滚针轴承 Bearing,needle	2		35×40×30
29	810110000264	双联齿轮 Gear,cluster	1		JDS30-0014
30	810110000265	衬套 Spacer	1		JDS30-0013
31	810110000266	衬套 Spacer	1		JDS30-0015
32	810110000267	输出齿轮 Gear,output	1		JDS30-0020
33	810110000268	止推板 Plate,thrust	1		JDS30-0021
34	810110000269	隔环 spacer ring	1		JDS30-0022
35	810110000270	轴承 32305 Bearing 32305	1		GB297-94-32305
36	810110000271	锁紧螺母 Lock nut	1		JDS30-0023
37	810110000272	滚针轴承 Bearing,needle	2		25×33×24
38	810110000273	惰轮 Gear,reverse,idler	1		JDS30-0035
39	810110000274	衬套 Spacer	1		JDS30-0036
40	810110000275	惰轮轴 Shaft, reverse idler	1		JDS30-0034

图 22 变速器(机械式 其 2) 绍兴 ShaoXin
Fig.22 Transmission(clutch type part-2)

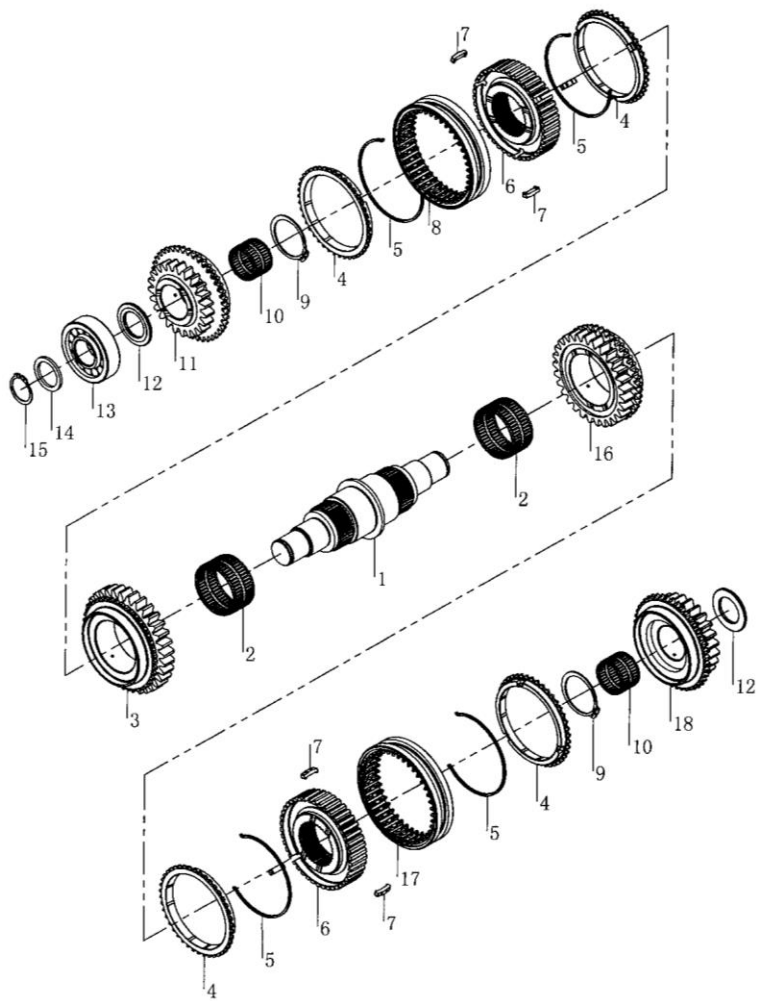
1.0t-3.8t
XJDS 系列机械变速箱
XJDS Series Mechanical Gearbox



序号 Item	物料码 Part No.	名称 Description	数量 Qty	备注或适用车型 Remarks or Serial No.	原物料码 Original Part No.
41	810110000276	钢球 6.3500 G2006 Ball,steel	1		GB308-89-6.3500 G2006
42	810110000277	机械变速箱壳体组件 Case assy,transmission	1	1t-1.8t	JDSL18A-0100
42	810110000278	机械变速箱壳体组件 Case assy,transmission	1	2t-3.8t	JDS30A-0100
43	810110000024	锁片 Plate,lock	4	1t-1.8t	YQX25-0004
43	810110000025	锁片 Plate,lock	4	2t-3.8t	YQX30-0023
44	810110000026	螺栓 Bolt	4		YQX30-0101

图 23 主轴组件 (绍兴)
Fig.23 Spindle assy (ShaoXin)

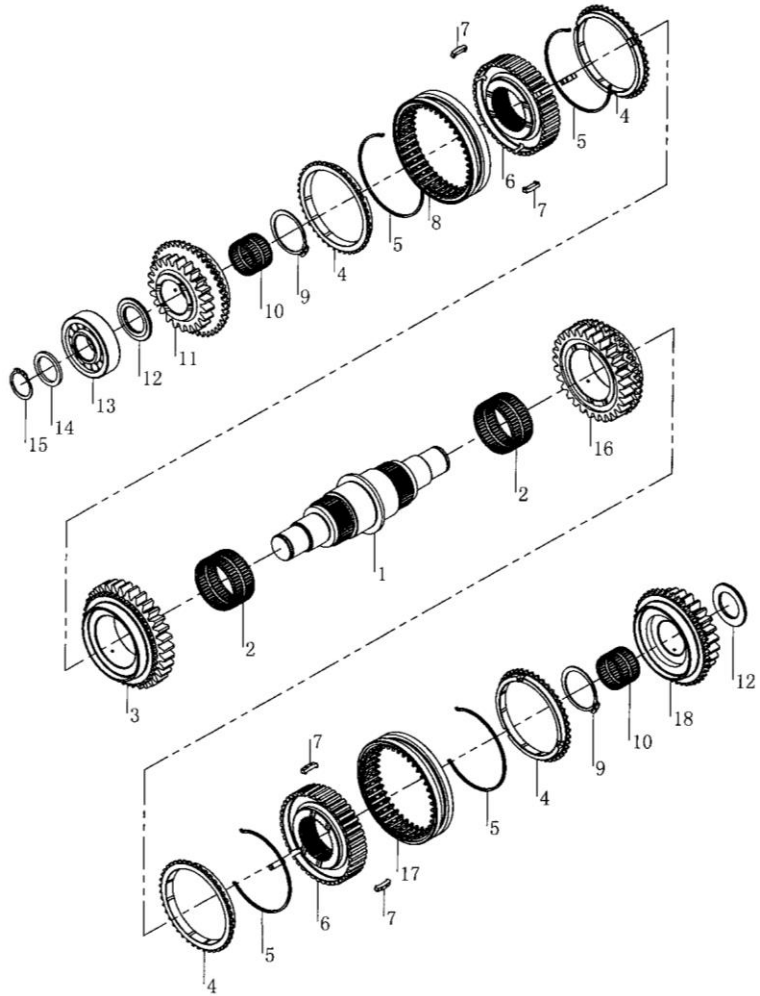
1.0t-3.8t
XJDS 系列机械变速箱
XJDS Series Mechanical Gearbox



序号 Item	物料码 Part No.	名称 Description	数量 Qty	备注或适用车型 Remarks or Serial No.	原物料码 Original Part No.
A1	810110000249	主轴组件 Spindle assy	1	包含/INC:1-18	JDS30-0400
1	810110000283	主轴 Shaft,main	1		JDS30-0039
2	810110000284	滚针轴承 Bearing,needle	2		56×61×30
3	810110000285	低速齿轮 Gear,low speed	1		JDS30-0037
4	810110000286	同步环 Ring,block	4		JDS30-0030
5	810110000287	弹簧 Spring	4		JDS30-0031
6	810110000288	离合器从动盘毂 Hub,clutch	2		JDS30-0028
7	810110000289	嵌块 Insert	6		JDS30-0032
8	810110000290	1/2 档啮合套 Sleeve	1		JDS30-0033
9	810110000291	轴用弹性挡圈 48 Snap ring	2		GB894.1-86-48
10	810110000292	滚针轴承 Bearing,needle	2		35×40×27
11	810110000293	高速齿轮 Gear,high speed	1		JDS30-0038
12	810110000294	止推垫圈 Washer,stop	2		JDS30-0026
13	810110000295	轴承 NJ306 Bearing NJ306	1		GB283-94-NJ306
14	810110000252	隔圈 Spacer	1		JDS30-0027

图 23 主轴组件 (绍兴)
Fig. 23 Spindle assy (ShaoXin)

1.0t-3.8t
XJDS 系列机械变速箱
XJDS Series Mechanical Gearbox



序号 Item	物料码 Part No.	名称 Description	数量 Qty	备注或适用车型 Remarks or Serial No.	原物料码 Original Part No.
15	810110000253	轴用弹性挡圈 Snap ring	1		GB894.1-86-30
16	810110000298	倒档齿轮 Gear,reverse	1		JDS30-0024
17	810110000299	啮合套 Sleeve	1	≥2013-01-01	JDS30-0044
18	810110000300	前进档齿轮 Gear,forward	1		JDS30-0025

图 24 液力变矩器总成
 Fig. 24 Torque converter assy

1.0-3.5t
Y43160X 液力传动变速箱 (冈村)
Y43160X Hydrodynamic Transmission Gearbox (Okamura)

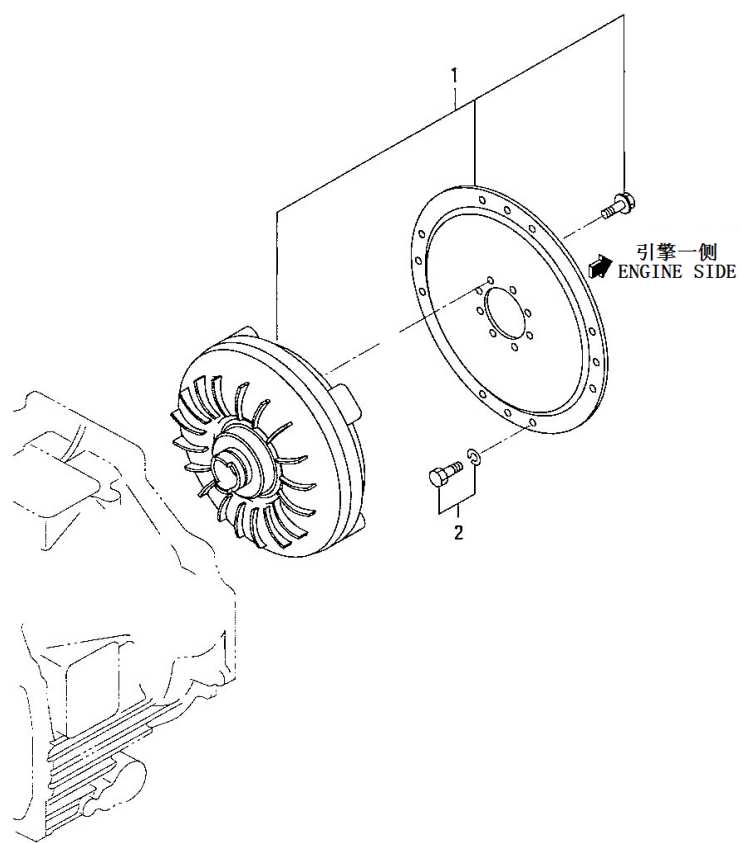
	序号 Item	物料码 Part No.	名称 Description	数量 Qty	备注或适用车型 Remarks or Serial No.	原物料码 Original Part No.	
	1	810110000844	液力变矩器 Torque-Converter	1		K91523-00020	
	2	810110000847	螺栓垫圈组件 Bolt.W/Washer	12		KF1805-08016	

图 25 变速箱 (其 1)
Fig.25 Transmission (part-1)

1.0-3.5t
Y43160X 液力传动变速箱 (冈村)
Y43160X Hydrodynamic Transmission Gearbox (Okamura)

序号 Item	物料码 Part No.	名称 Description	数量 Qty	备注或适用车型 Remarks or Serial No.	原物料码 Original Part No.
1	810110000848	变速箱总成 Transmission assy	1	INC:Fig.25-27 除外Except Fig.25 Item 3	K91524-03000
2	810110000849	滤清器芯及盖 Strainer & cover	1		K91A24-08200
201	810110000850	滤清器总成 Strainer assy	1		K91A24-08211
202	810110000851	磁石 Magnet	3		K91A24-08221
203	810110000852	弹簧 Spring	2		K91A24-08231
3	201200010004	翼形联轴器总成 Joint assy,universal	1		R561-130000-000
301	NO PART NO.	万向联轴器 Yoke,couplin	1		
302	NO PART NO.	十字轴 Nipple,grease	2		
303	NO PART NO.	轴承 Bearing,gross	2		
4	810110000854	变矩器箱体 Housing,t/conv	1		K91524-16100
401	810110000855	密封圈 Cap,sealing	1		KF5014-50000
5	810110000856	变速箱体 Housing,transmission	1		K91324-45302
501	810110000857	钢球 Ball,steel	4		KF8000-12000
6	810110000858	输出法兰 Flange,t/m output	1		K91524-02300
7	810110000859	密封垫 Gasket	1		K91324-16300

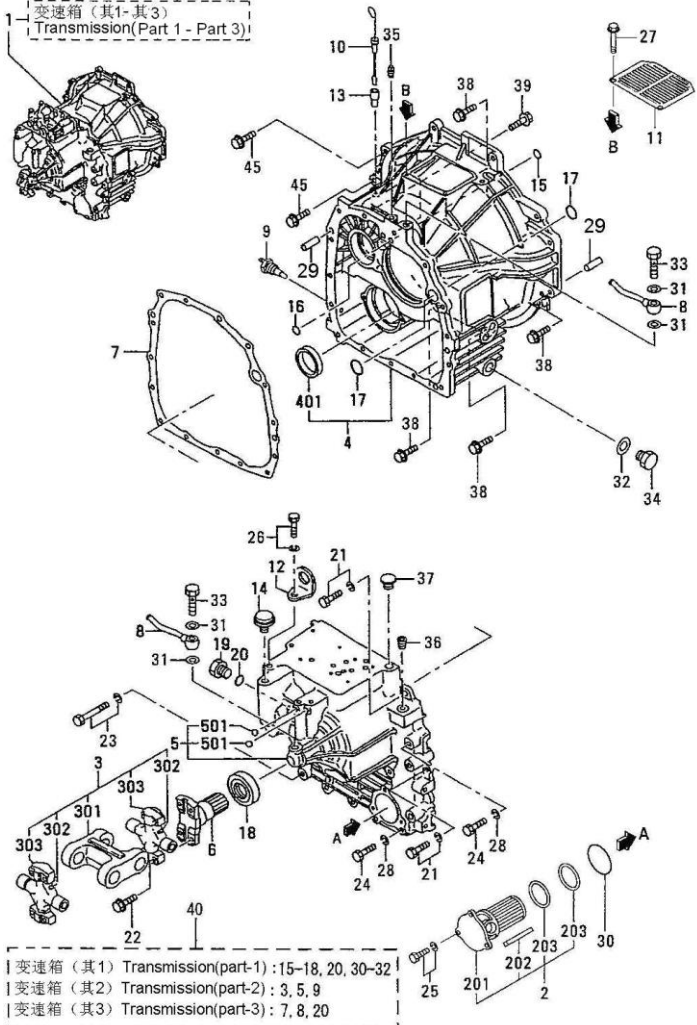


图 25 变速箱 (其 1)
Fig.25 Transmission (part-1)

1.0-3.5t
Y43160X 液力传动变速箱 (冈村)
Y43160X Hydrodynamic Transmission Gearbox (Okamura)

<p>变速箱 (其1-其3) Transmission (Part 1 - Part 3)</p> <p>变速箱 (其1) Transmission(part-1) : 15-18, 20, 30-32 变速箱 (其2) Transmission(part-2) : 3, 5, 9 变速箱 (其3) Transmission(part-3) : 7, 8, 20</p>	序号 Item	物料码 Part No.	名称 Description	数量 Qty	备注或适用车型 Remarks or Serial No.	原物料码 Original Part No.
	8	810110000860	油管 Pipe, cooler	2		K91428-00202
	9	810110000861	温度开关 Switch, thermo	1		K05204-50501
	10	810110000862	油尺 Gage, oil level	1		K91324-06400
	11	810110000863	防尘盖 Cover, upper	1		K91A24-22500
	12	810110000864	吊耳 Plate, hanger	1		K91524-01500
	13	810110000865	油尺管套 Pipe, oil level gage	1		K91228-03600
	14	810110000866	空气阀 Breather	1		K91524-01900
	15	810110000867	密封圈 O-ring	3		K05500-24012
	16	810110000868	密封圈 O-ring	2		K05500-19010
	17	810110000869	密封圈 O-ring	2		K05500-24022
	18	810110000870	油封 Seal, oil	1		K91A24-08600
	19	810110000871	螺塞 Plug, o-ring type	1		K05531-01100
	20	810110000872	密封圈 O-ring	1		K05500-24015
	21	810110000873	螺栓、垫圈 Bolt, w/washer b/w	5		KF2005-10030
	22	810110000874	法兰螺栓 Bolt, flange	8		K91A24-05200

图 25 变速箱 (其 1)
Fig.25 Transmission (part-1)

1.0-3.5t
Y43160X 液力传动变速箱 (冈村)
Y43160X Hydrodynamic Transmission Gearbox (Okamura)

序号 Item	物料码 Part No.	名称 Description	数量 Qty	备注或适用车型 Remarks or Serial No.	原物料码 Original Part No.
23	810110000875	螺栓、垫圈 Bolt,w/washer b/w	5		KF2005-10060
24	810110000876	螺栓 Bolt	3		KF1155-10075
25	810110000877	法兰螺栓 Bolt,flange	3		K91A24-05900
26	810110000878	螺栓、垫圈 Bolt,w/washer b/w	1		KF1805-12020
27	810110000879	法兰螺栓 Bolt,flange	2		K91A24-08100
28	810110000880	弹簧垫 Washer,spring	3		KF2515-10000
29	810110000881	销 Pin,dowel	2		KF2846-12000
30	810110000882	密封圈 O-ring	1		K05500-31065
31	810110000883	密封垫 Gasket	4		KF4202-14000
32	810110000884	密封垫 Gasket	1		KF4202-20000
33	810110000885	吊耳 Eyebolt	2		K91A24-05100
34	810110000886	油堵 Plug,drain	1		KF5000-20000
35	810110000887	螺塞 Plug,tapered	1		KF5006-10000
36	810110000888	螺塞 Plug,tapered	1		KF5005-26001
37	810110000889	塞子 Cap,filler	1		K91524-03300

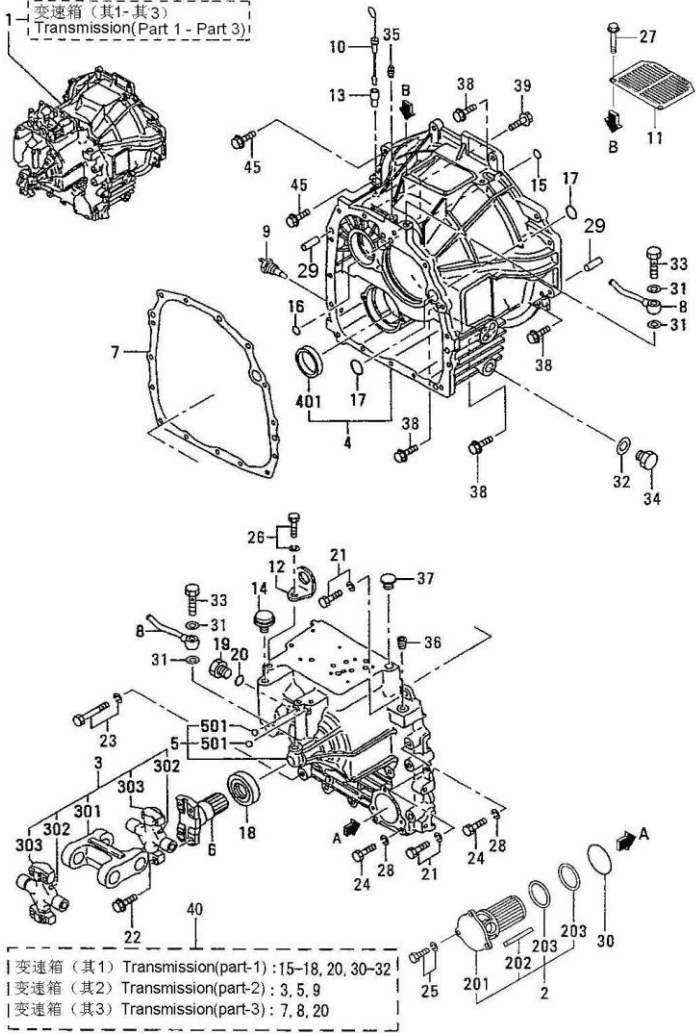
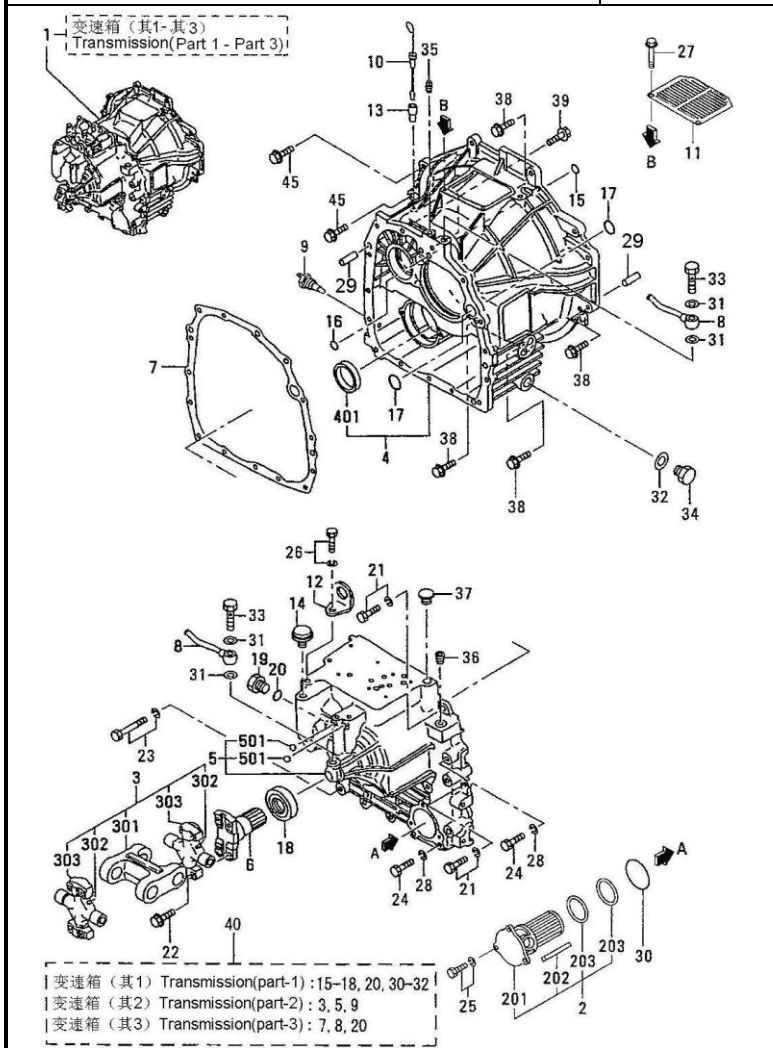


图 25 变速箱（其 1）
Fig.25 Transmission (part-1)

1.0-3.5t
Y43160X 液力传动变速箱 (冈村)
Y43160X Hydrodynamic Transmission Gearbox (Okamura)



序号 Item	物料码 Part No.	名称 Description	数量 Qty	备注或适用车型 Remarks or Serial No.	原物料码 Original Part No.
38	810110000890	法兰螺栓 Bolt, flange	8		K91524-12500
39	810110000891	法兰螺栓 Bolt, flange	2		K91524-02600
40	810110000892	修理包 Repair kit, T/M	1		K91324-00028

图 26 变速箱 (其 2)
Fig.26 Transmission (part-2)

1.0-3.5t
Y43160X 液力传动变速箱 (冈村)
Y43160X Hydrodynamic Transmission Gearbox (Okamura)

序号 Item	物料码 Part No.	名称 Description	数量 Qty	备注或适用车型 Remarks or Serial No.	原物料码 Original Part No.
1	810110000893	弹簧座 Retainer,spring	2		K91224-00800
2	810110000894	活塞 Piston,clutch	2		K91224-17601
3	810110000895	活塞环 Ring,seal piston	2		K91B24-00700
4	810110000896	轴向垫圈 Washer,thrust	2		K65425-13204
5	810110000897	密封环 Ring,seal	2		K91B24-00600
6	810110000898	摩擦片 Plate,friction	10		K91324-02702
7	810110001410	动力传动片 Plate,mating	12		K91324-12601
8	810110000899	压力传动片 Plate,pressure	2		K91324-04700
9	810110000901	密封环 Seal,ring	4		K58321-05000
10	810110000902	卡簧 Ring,snap	2		K58622-03001
11	810110000903	轴向垫圈 Washer,thrust	2		K58622-15201
12	810110000904	螺旋件 Screw set	2		K58622-09500
13	810110000905	卡簧 Ring,snap	2		K58036-04600
14	810110000906	输入轴 Shaft,input clutch	1		K91524-20020
1401	810110000907	螺钉 Screw set	2		K05950-08008

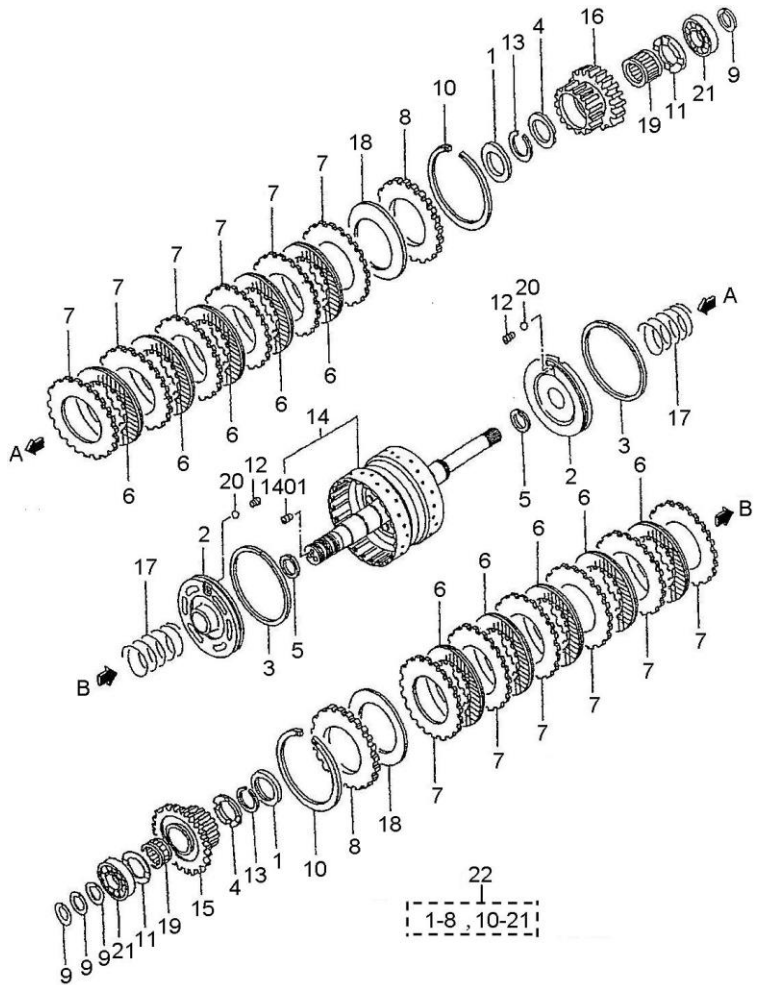


图 27 变速箱 (其 3)
Fig.27 Transmission(part-3)

1.0-3.5t
Y43160X 液力传动变速箱 (冈村)
Y43160X Hydrodynamic Transmission Gearbox (Okamura)

序号 Item	物料码 Part No.	名称 Description	数量 Qty	备注或适用车型 Remarks or Serial No.	原物料码 Original Part No.
1	810110000944	导轮轴总成 Shaft assy,stator	1		K91524-10030
101	810110000857	钢球 Ball,steel	1		KF8000-12000
102	810110000946	钢球 Ball,steel	3		KF8000-14000
103	810110000947	密封盖 Cap,sealing	1		K04826-21600
104	NO PART NO.	定轴 Shaft,stator	1		
2	810110000948	油压调节阀 Valve,relief	2		K91224-02600
3	810110000949	弹簧 Spring,valve	2		K91224-12500
4	810110000950	机油泵体 Body assy,pump	1		K91524-10010
401	810110000951	衬套 Bushing	1		K91524-05600
402	NO PART NO.	泵体 Body,pump	1		
5	810110000952	油泵齿轮 Gear,pump drive	1	Z=25	K91524-23100
6	810110000953	油泵齿轮 Gear,internal	1	Z=30	K91524-13200
7	810110000954	油封 Seal,oil	1		K91A24-07900
8	810110000955	密封圈 O-ring	1		K91A24-08300
9	810110000956	螺栓 Bolt,flange	1		K91524-03500

图 27 变速箱 (其 3)
Fig.27 Transmission(part-3)

1.0-3.5t
Y43160X 液力传动变速箱 (冈村)
Y43160X Hydrodynamic Transmission Gearbox (Okamura)

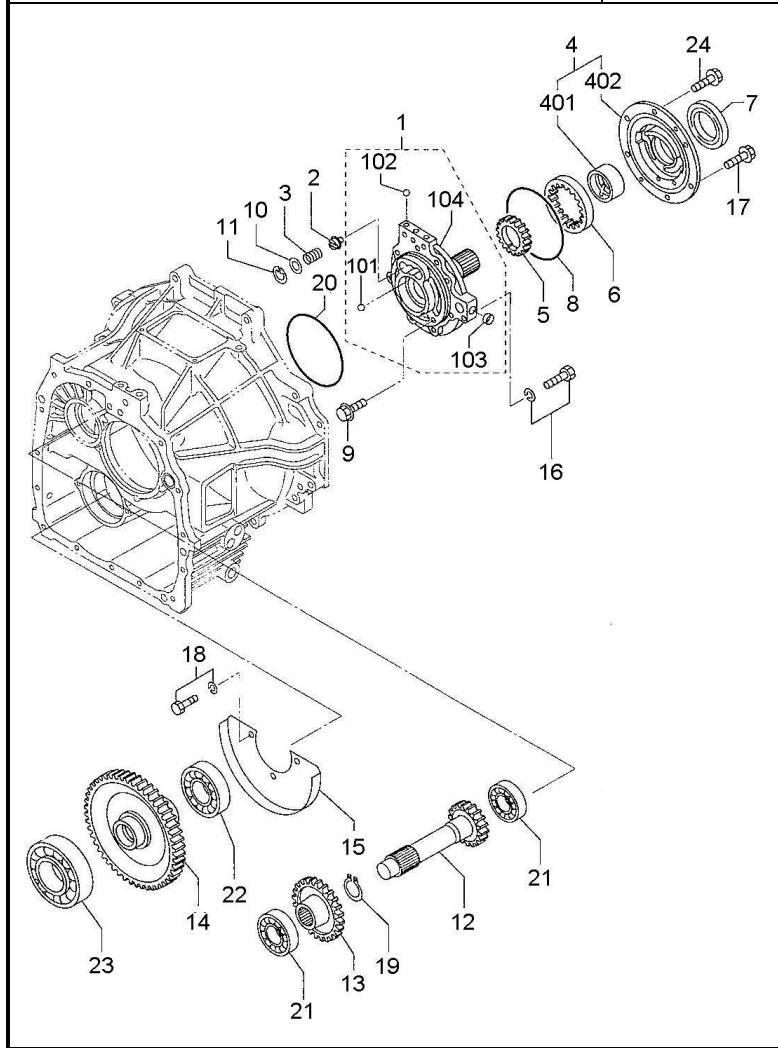
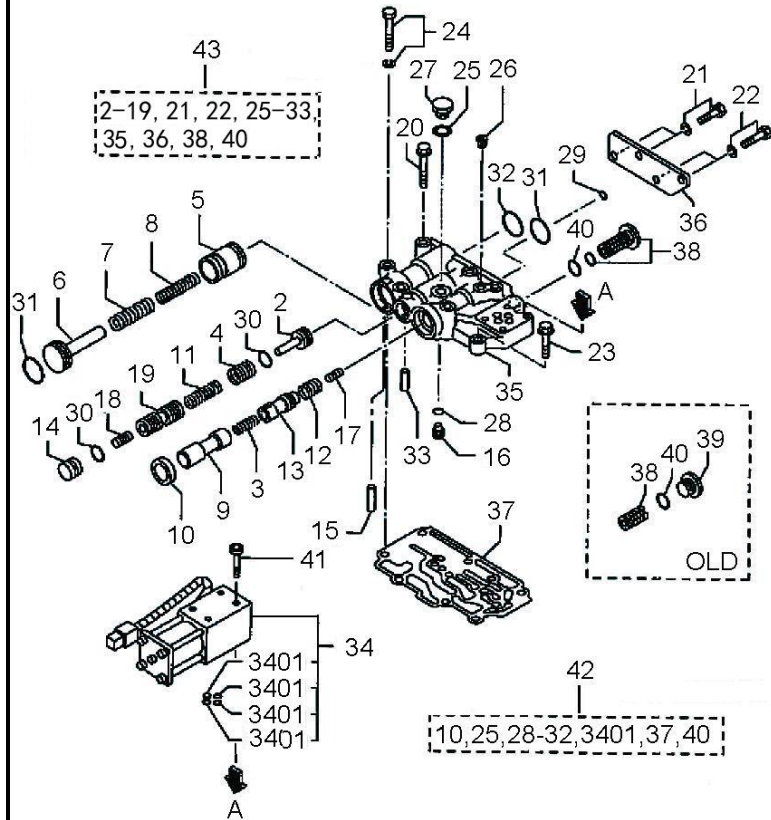
	序号 Item	物料码 Part No.	名称 Description	数量 Qty	备注或适用车型 Remarks or Serial No.	原物料码 Original Part No.
	10	810110000957	垫圈 Washer,plain	2		KF2500-10000
	11	810110000958	卡簧 Ring,snap	2		KF3202-02200
	12	810110000959	惰轮轴 Shaft,idler	1		K91324-05700
	13	810110000960	齿轮 Gear,idler	1	Z=35	K91324-05800
	14	810110000961	输出齿轮 Gear,output	1	Z=70	K91324-15903
	15	810110000962	挡油板 Plate,baffle	1		K91324-22900
	16	810110000963	螺栓、垫圈 Bolt,w/washer b/w	1		KF1805-08035
	17	810110000956	螺栓 bolt,flange	5		K91524-03500
	18	810110000879	法兰螺栓 Bolt,flange	2		K91A24-08100
	19	810110000966	卡簧 Ring,snap	1		KF3200-03500
	20	810110000967	密封圈 O-ring	1		K05500-31125
	21	810110000914	轴承 Bearing,ball	2		KF8010-06306
	22	810110000969	轴承 Bearing,ball	1		KF8004-06012
	23	810110000970	轴承 Bearing,ball	1		KF8006-06212
	24	810110000971	法兰螺栓 Bolt,flange	1		K91524-04200

图 28 控制阀
Fig.28 Control valve

1.0-3.5t
Y43160X 液力传动变速箱 (冈村)
Y43160X Hydrodynamic Transmission Gearbox (Okamura)



序号 Item	物料码 Part No.	名称 Description	数量 Qty	备注或适用车型 Remarks or Serial No.	原物料码 Original Part No.
A1	810110000972	控制阀总成 Valve assy,control	1		K91328-04000
2	810110000973	弹簧底座 Seat,spring	1		K91228-00501
3	810110000974	离合器阀弹簧 Spring,inchng valve	1		K91228-06700
4	810110000975	主油压阀弹簧 Spring,main relief	1		K91228-01300
5	810110001409	缓冲阀活塞 Piston,accumulator	1		K91228-15201
6	810110000977	弹簧底座 Seat,spring	1		K91228-15302
7	810110000978	弹簧(外) Spring,outer	1		K91228-26300
8	810110000979	弹簧(内) Spring,inner	1		K91228-16400
9	NO PART NO.	离合器阀柱塞 Plunger,clutch valve	1		
10	810110000980	油封 Seal,oil	1		K91228-10700
11	810110000981	主油压弹簧 Spring,main relief	1		K91228-10800
12	810110000982	回位弹簧 Spring,return	1		K91228-11100
13	810110000983	离合器阀 Valve,clutch	1		K91228-16500
14	810110000984	组合塞 Plug,o-ring type	1		K65528-00902
15	810110000985	销 Pin	1		K91328-04300

图 28 控制阀
Fig.28 Control valve

1.0-3.5t
Y43160X 液力传动变速箱 (冈村)
Y43160X Hydrodynamic Transmission Gearbox (Okamura)

序号 Item	物料码 Part No.	名称 Description	数量 Qty	备注或适用车型 Remarks or Serial No.	原物料码 Original Part No.
16	810110000986	定位销 Pin,stopper	1		K58628-01702
17	810110000987	螺杆 Slug	1		K51727-05402
18	810110000988	螺杆 Slug	1		K51727-06502
19	NO PART NO.	调压阀 Valve,regulator	1		
20	810110000989	螺栓 Bolt,flange	4		K91328-04500
21	810110000990	螺栓 Bolt,coating	2		K91328-03800
22	810110000991	螺栓 Bolt,coating	2		K91328-03900
23	810110000992	螺栓 Bolt,flange	2		K91328-04400
24	810110000993	螺栓、垫圈 Bolt,w/washer B/W	4		KF1805-08065
25	810110000883	密封垫 Gasket	1		KF4202-14000
26	810110000995	螺塞 Plug,tapered	1		KF5005-10001
27	810110000996	油堵 Plug,drain	1		KF5000-14000
28	810110000997	密封圈 O-ring	1		K05500-19008
29	810110000868	密封圈 O-ring	1		K05500-19010
30	810110000872	密封圈 O-ring	2		K05500-24015

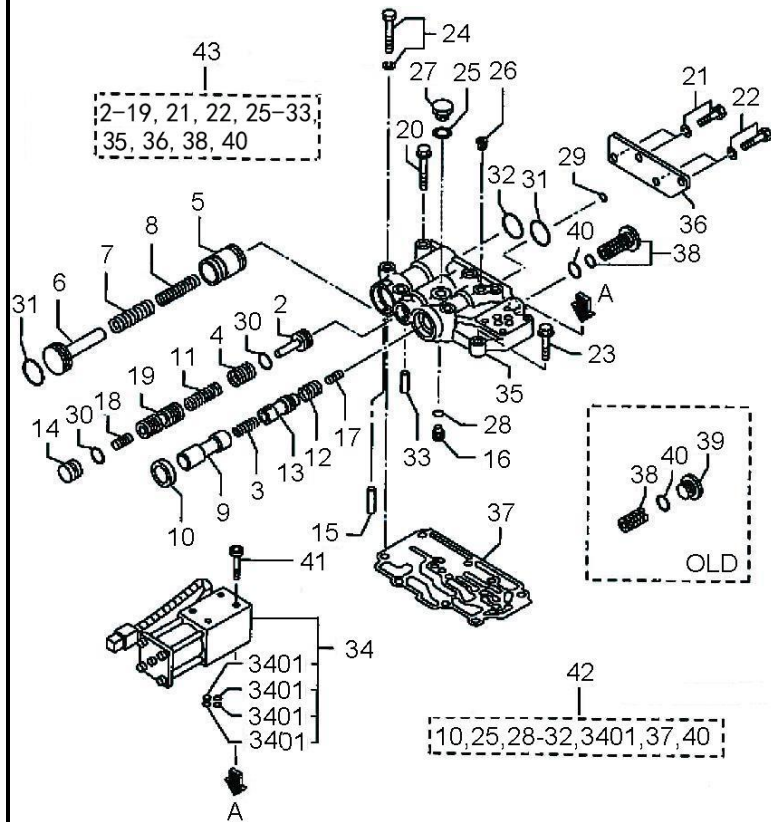
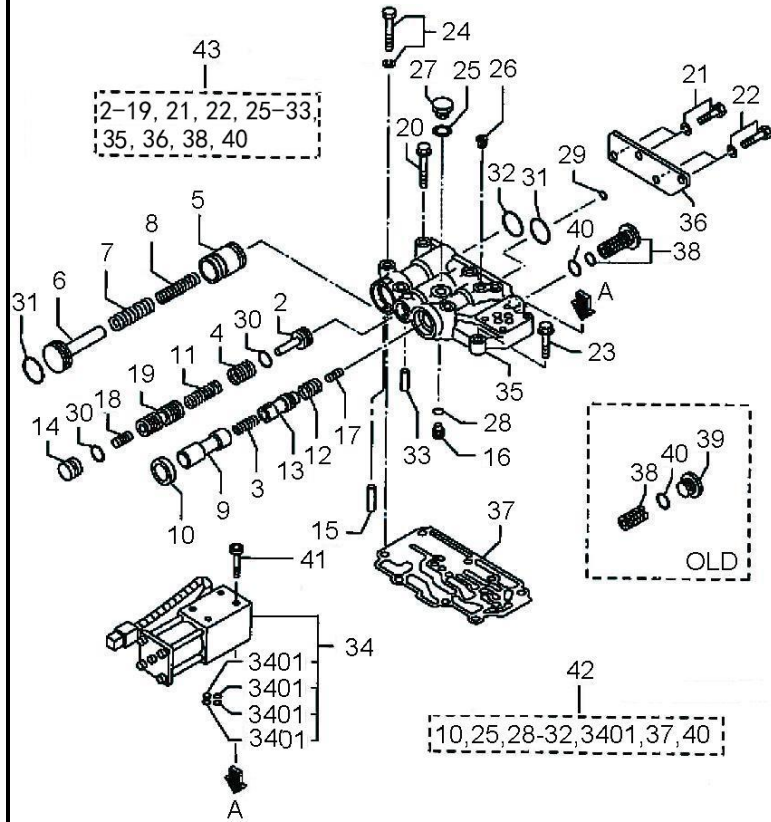


图 28 控制阀
Fig.28 Control valve

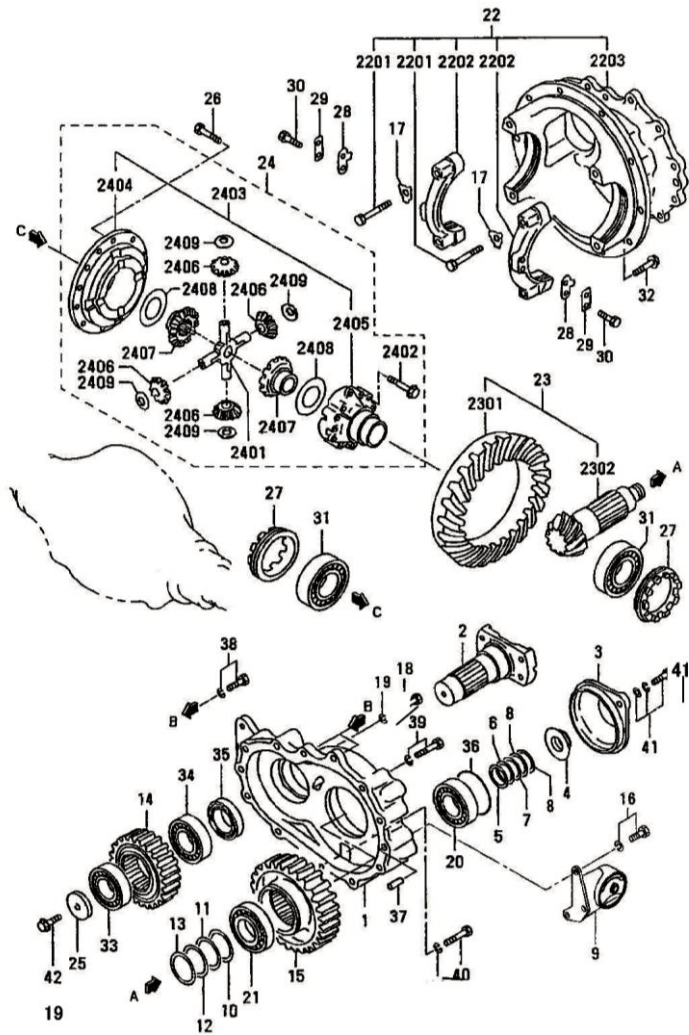
1.0-3.5t
Y43160X 液力传动变速箱 (冈村)
Y43160X Hydrodynamic Transmission Gearbox (Okamura)



序号 Item	物料码 Part No.	名称 Description	数量 Qty	备注或适用车型 Remarks or Serial No.	原物料码 Original Part No.
31	810110001000	密封圈 O-ring	2		K05500-35025
32	810110001001	密封圈 O-ring	1		K05500-35030
33	810110001002	销 Pin	1		K91328-04200
34	810110001003	电磁阀总成 Valve assy,solenoid	1		K91A28-30010
3401	810110001004	密封圈 O-ring	4		K91328-08500
35		控制阀体 Body,valve	1		
36	810110001005	挡板 Plate,cover	1		K91328-03200
37	810110001006	密封垫 Gasket,valve	1		K91329-04700
38	810110001007	油塞 Plug,o-ring seal	1		K05530-50300
40	810110001008	密封圈 O-ring	4		K00500-24014
41	810110001009	螺栓 Bolt,solenoid valve	1		K91328-04800
42	810110001010	修理包 Repair kit,C/V	1	INC:10,25,28-32, 3401,37,40	K91328-00048
43	K91328-04001	控制阀阀体总成 Valve assy,control	1	包含/INC:2-19,21,22, 25-33,35,36,38,40	K91328-04001

图 29 3.0-3.5t 主减速器·差速器总成
Fig.29 3.0-3.5t Reduction & Differential

3.0-3.5t
Y43160X 液力传动变速箱 (冈村)
Y43160X Hydrodynamic Transmission Gearbox (Okamura)



序号 Item	物料码 Part No.	名称 Description	数量 Qty	备注或适用车型 Remarks or Serial No.	原物料码 Original Part No.
1	810110001011	桥壳 Cover,Diff Carrier	1		K91331-40200
2	810110001361	输入法兰 Flange,Input T/F	1		K91531-00800
3	810110001362	防尘盖 Cover,Diff Pinion	1		K91331-30400
4	810110001363	锁紧螺母 Nut,Lock	1		K91331-13600
5	810110001364	调整垫片 Shim Ar T=0.05	1		K91331-03700
6	810110001365	调整垫片 Shim Ar T=0.1	1		K91331-03800
7	810110001366	调整垫片 Shim Ar T=0.2	1		K91331-03900
8	810110001367	调整垫片 Shim Ar T=1.0	2		K91331-04200
9	810110001368	支架总成 Bracket Assy L.H.	1		K91331-30031
10	810110001369	调整垫片 Shim Ar T=0.1	1		K91331-01200
11	810110001370	调整垫片 Shim Ar T=0.2	1		K91331-01300
12	810110001371	调整垫片 Shim Ar T=0.5	1		K91331-01400
13	810110001372	调整垫片 Shim Ar T=1.0	1		K91331-01500
14	810110001373	驱动齿轮 Gear,Drive T/F	1		K91331-11801
15	810110001374	驱动齿轮 Gear,Drive T/F	1		K91331-12401

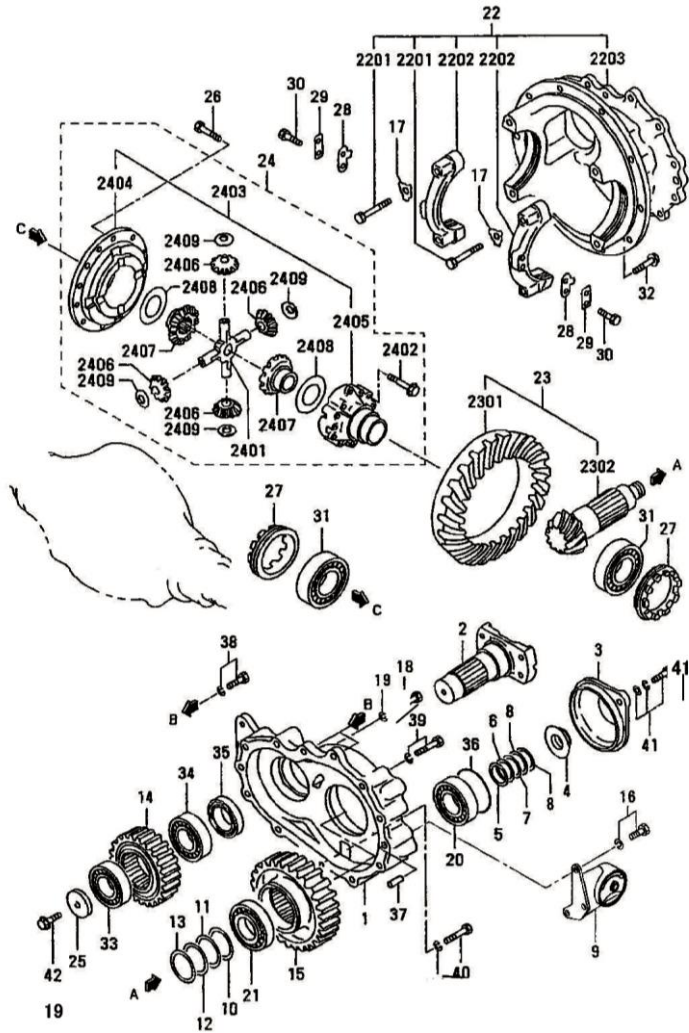
图 29 3.0-3.5t 主减速器·差速器总成
Fig.29 3.0-3.5t Reduction & Differential

3.0-3.5t
Y43160X 液力传动变速箱 (冈村)
Y43160X Hydrodynamic Transmission Gearbox (Okamura)

序号 Item	物料码 Part No.	名称 Description	数量 Qty	备注或适用车型 Remarks or Serial No.	原物料码 Original Part No.
16	810110001375	螺栓、垫圈 Bolt,W/Washer B/W	3		KF1805-12025
17	810110001376	锁销 Plate,Lock	4		KMC866144
18	810110001377	螺栓 Bolt	1		KF1035-10080
19	810110001378	弹簧垫 Bolt,Flange	2		K92233-21600
20	810110001379	轴承 Bearing,Taper Roller	1		K05644-04200
21	810110001380	轴承 Bearing,Taper Roller	1		K05644-04300
22	810110001381	主减速器壳 Carrier Assy,Diff	1		K91631-40011
2201	810110001382	螺栓 Bolt,Bearing Cap	4		KMH001183
2202	NO PART NO.	侧轴承 Cap,Side Bearing	2		
2203	NO PART NO.	差速器座 Carrier,Diff	1		
23	810110001383	减速齿轮 Gear Set, Hypoid	1	Z=34&6	K91631-20030
2301	NO PART NO.	齿圈 Gear,Hypoid	1		
2302	NO PART NO.	齿轴 Pinion,Hypoid	2		
24	810110001384	差速器总成 Gear Assy,Diff	1		K91631-10021
2401	810110001385	十字轴 Spider,Diff	1		K91631-00600

图 29 3.0-3.5t 主减速器·差速器总成
Fig.29 3.0-3.5t Reduction & Differential

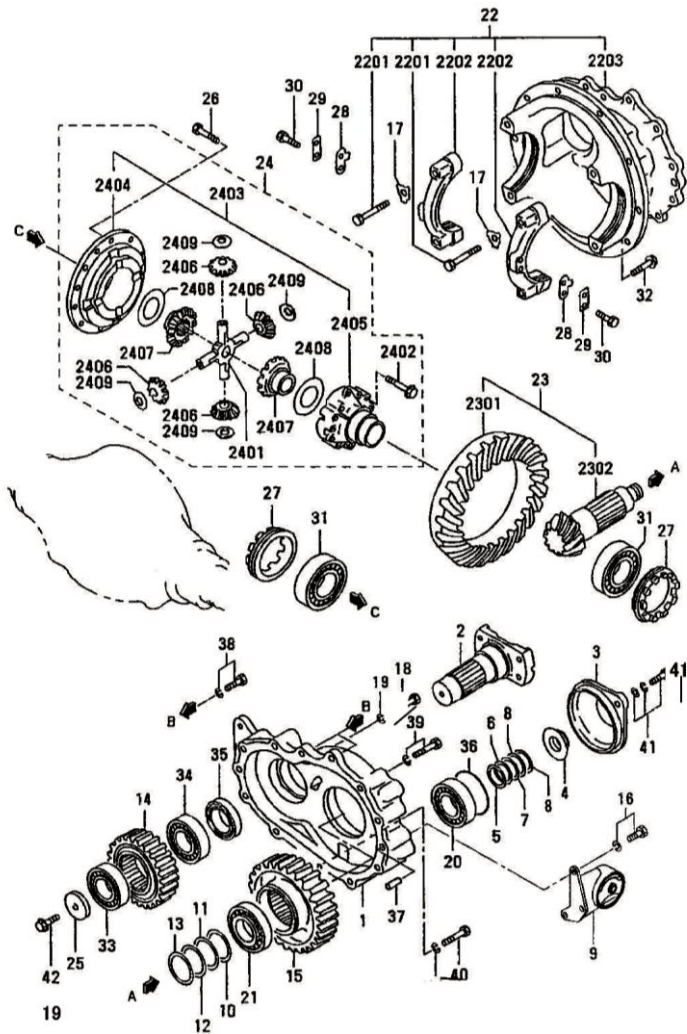
3.0-3.5t
Y43160X 液力传动变速箱 (冈村)
Y43160X Hydrodynamic Transmission Gearbox (Okamura)



序号 Item	物料码 Part No.	名称 Description	数量 Qty	备注或适用车型 Remarks or Serial No.	原物料码 Original Part No.
2402	810110001386	螺栓 Bolt,Diff Case	12		KMC802397
2403	810110001387	差速器壳 Case Set,Diff	1		K91631-00043
2404	NO PART NO.	左差速器壳 Case,Diff	1		
2405	NO PART NO.	右差速器壳 Case,Diff	1		
2406	810110001388	行星齿轮 Pinion,Diff Bevel	4	Z=11	K91631-00800
2407	810110001389	半轴齿轮 Gear,Diff Bevel	2	Z=16	K91631-00700
2408	810110001390	垫圈 Washer,Diff T=3.0	2		KMC866977
2409	810110001391	止推垫片 Washer,Thrust	4		KMC867093
25	810110001392	定位垫圈 Spacer	1		K91531-00700
26	810110001393	螺栓 Bolt	12		KMC802396
27	810110001394	调整螺环 Screw,Adjusting	2		KMC803398
28	810110001395	锁片 Pawl,Lock	2		KMC866145
29	810110001396	锁片 Seat,Lock	2		KMC866146
30	810110001397	螺栓 Bolt	4		KF1035-10020
31	810110001398	圆锥滚子轴承 Bearing,Taper Roller	2		KF8143-32214

图 29 3.0-3.5t 主减速器·差速器总成
Fig.29 3.0-3.5t Reduction & Differential

3.0-3.5t
Y43160X 液力传动变速箱 (冈村)
Y43160X Hydrodynamic Transmission Gearbox (Okamura)



序号 Item	物料码 Part No.	名称 Description	数量 Qty	备注或适用车型 Remarks or Serial No.	原物料码 Original Part No.
32	300010060028	螺栓 M12×1.25×35 Bolt M12×1.25×35	14		G005786-012035-00
33	810110001081	轴承 BEARING,BALL	1		KF8006-06208
34	810110001082	轴承 BEARING,BALL	1		KF8006-06209
35	810110001083	油封 Seal,Oil	1		K05564-35100
36	810110001084	密封圈 O-Ring	1		KF3153-11000
37	810110000881	销 Pin,Dowel	2		KF2846-12000
38	810110001086	螺栓、垫圈 Bolt,Flange B/W	2		K91A24-03300
39	810110001087	螺栓、垫圈 Bolt,Flange B/W	7		K91A24-07600
40	810110001088	螺栓 Bolt,Flange	1		K91A24-07700
41	810110001089	螺栓、垫圈 Bolt,Flange B/W	2		K91A24-13400

图 30 变速箱 (其 1)
Fig.30 Transmission (part-1)

1.0-3.5t
XYQXF 系列液力传动变速箱 (绍兴)
XYQXF Series Hydrodynamic Transmission Gearbox (SHAOXIN)

序号 Item	物料码 Part No.	名称 Description	数量 Qty	备注或适用车型 Remarks or Serial No.	原物料码 Original Part No.
1	810110001149	变矩器 Torque-converter	1	1.0-1.8t	YQXF15-6100
1	810110001150	变矩器 Torque-converter	1	2.0-3.5t	YQXF30-6100
2	810110001151	输入板组件 Import board	1		YQX30H-6200
3	810110001152	螺栓 M10×1.25×16 Bolt M10×1.25×16	6		GB5786-86-M10×1.25×16
4	810110001153	泵体 Pump	1		YQXF30-3001
5	810110001154	主动齿轮组件 Drive gear	1		YQXF30-3200
6	810110001155	内齿轮 Inside gear	1		YQXF30-3003
7	810110001156	油封 Oil seal	1		TC 42×60×9
8	810110001157	十字槽沉头螺钉 M6×12 Bolt M6×12	1		GB819-87-M6×12
9	810110001157	导轮座(定子) Idler pulley seat	1		GB819-87-M6×12
10	810110001159	O 型圈 O-ring	1		YQXF30-0003
A	810110001584	密封环组件 Seal ring assy	1	INC:11、12	YQXF30-3100
11	810110001160	密封环卡簧 Seal ring block	1		YQXF30-3101
12	810110001161	密封环 Seal ring	1		YQXF30-3102
13	810110001162	变矩器壳体 Case,tor-con	1		YQXF30-0201

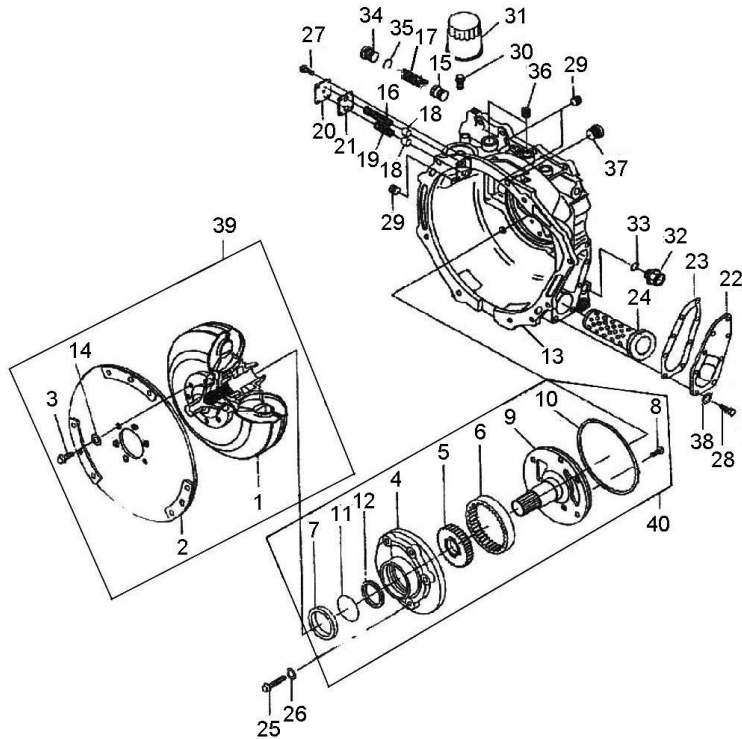


图 30 变速箱 (其 1)
Fig.30 Transmission (part-1)

1.0-3.5t
XYQXF 系列液力传动变速箱 (绍兴)
XYQXF Series Hydrodynamic Transmission Gearbox (SHAOXIN)

序号 Item	物料码 Part No.	名称 Description	数量 Qty	备注或适用车型 Remarks or Serial No.	原物料码 Original Part No.
14	810110000034	弹簧垫圈 10 Washer 10	6		GB93-87-10
15	810110001164	活塞 Piston	1		YQXF30-0206
16	810110001165	弹簧 (II) Spring (II)	1		YQXF30-0211
17	810110001166	弹簧 (I) Spring (I)	1		YQXF30-0207
18	810110001167	活塞 Piston	2		YQXF30-0209
19	810110001168	弹簧 (III) Spring (III)	1		YQXF30-0212
20	810110001169	盖 Cover	1		YQXF30-0202
21	810110001170	密封垫 Seal wash	1		YQXF30-0203
22	810110001171	油滤座 Strainer seat	1		YQXF30-0204
23	810110001172	油滤座纸垫 Strainer washer	1		YQXF30-0205
24	810110001173	粗滤器组件 Strainer	1		YQXF30-0240
25	810110001174	六角法兰螺栓 Bolt	5		YQXF30-0008
26	810110000077	密封圈 8×14×1.5 Washer 8×14×1.5	5		Q20-03-8×14×1.5
27	810110001176	内六角螺钉 M6×20 Bolt M6×20	4		GB70-85-M6×20
28	810110001177	螺栓 M8×30 Bolt M8×30	9		GB5783-86-M8×30

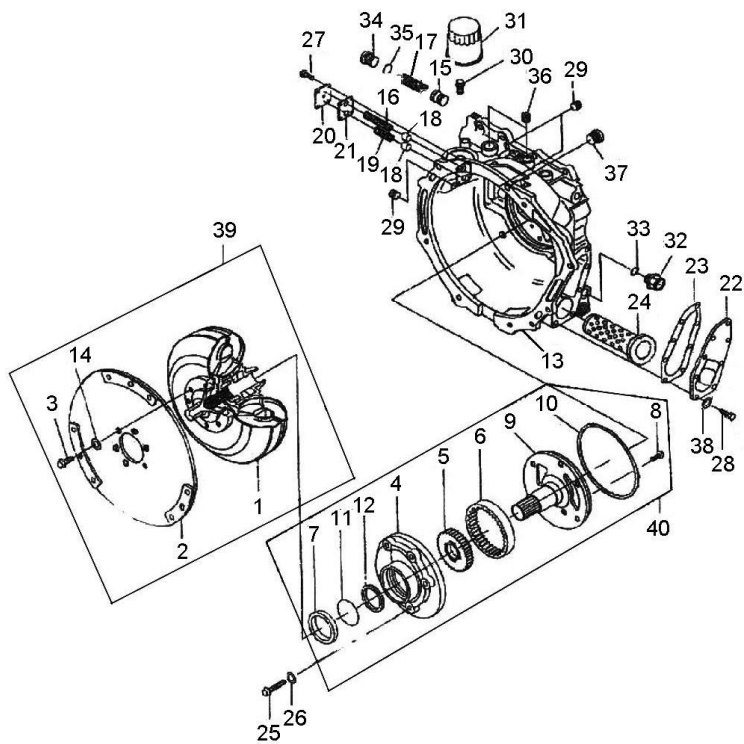
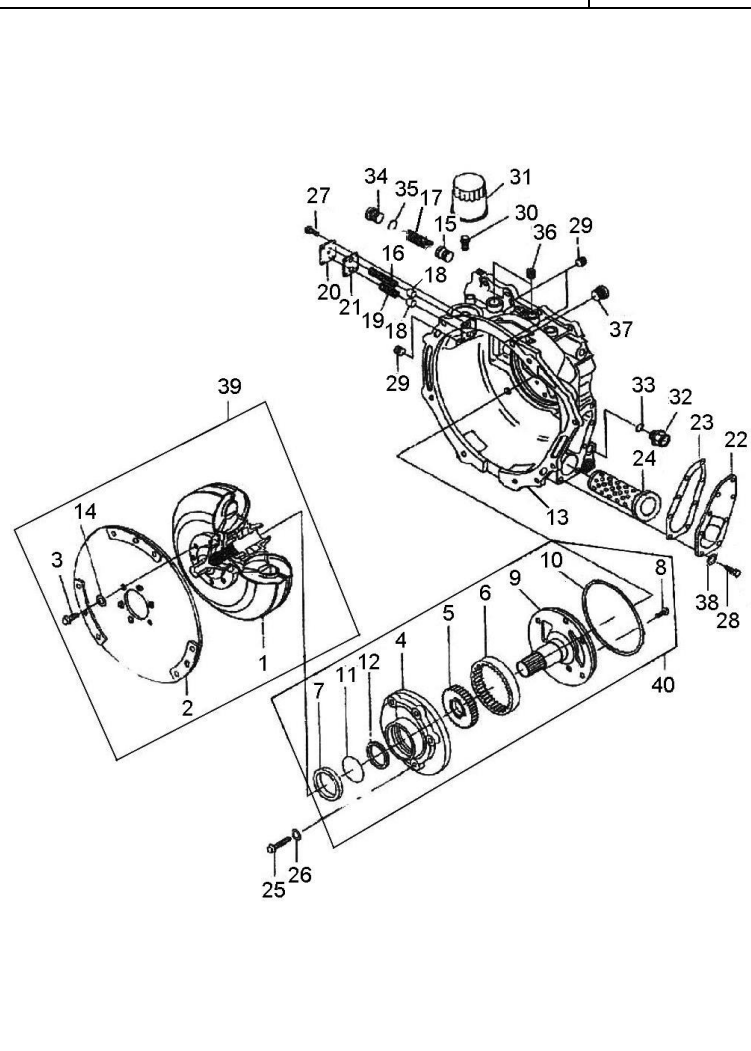


图 30 变速箱 (其 1)
Fig.30 Transmission (part-1)

1.0-3.5t
XYQXF 系列液力传动变速箱 (绍兴)
XYQXF Series Hydrodynamic Transmission Gearbox (SHAOXIN)



序号 Item	物料码 Part No.	名称 Description	数量 Qty	备注或适用车型 Remarks or Serial No.	原物料码 Original Part No.
29	810110001178	螺塞 Plug	3		JB/ZQ 4446-86 1/4
30	810110001179	管接头 Tie-in	1		YQXF30-0215
31	810110000134	滤油器 (II) Strainer (II)	1		YQX30-0300
32	810110001181	磁性螺塞 Plug	1		YQS30-0104
33	810110001182	密封圈 Seal wash	1		Q20-03 22x26x2
34	810110001183	主压力阀螺塞 Pressure valve plug	1		YQXF30-0208
35	810110001184	O 型圈 21x3 O-ring 21x3	1		GB3452.1-86-21x3
36	810110001185	螺塞 R3/8 Plug	2		JB/ZQ 4444-86 R3/8
37	810110001186	内六角螺塞 M22x1.5 Plug M22x1.5	1		JB/ZQ 4444-86 M22x1.5
38	810110001187	平垫圈 8 Washer 8	9		GB97-85-8
39	810110001188	YJH265E 变矩器 YJH265E Torque	1	1.0-1.8t	YQXF15-6000
39	810110001189	YJH265G 变矩器 YJH265G Torque	1	2.0-3.5t	YQXF30-6000
40	810110001190	油泵总成 Pump	1		YQXF30-3000

图 31 变速箱 (其 2)
Fig. 31 Transmission (part-2)

1.0-3.5t
XYQXF 系列液力传动变速箱 (绍兴)
XYQXF Series Hydrodynamic Transmission Gearbox (SHAOXIN)

序号 Item	物料码 Part No.	名称 Description	数量 Qty	备注或适用车型 Remarks or Serial No.	原物料码 Original Part No.
1	810110001191	壳体 Tor-con	1		YQXF30-0101
1	810110001192	衬套 Bush	2		YQXF30-0106
2	810110001193	六角法兰螺栓 Bolt	17		YQXF30-0007
3	810110001194	盖板 Cover board	1		YQXF30-0213
4	810110001195	内螺纹圆柱销 10×24 Pin 10×24	2		GB120-86-10×24
5	810110001196	油尺 Dipstick	1		YQXF30-0220
6	810110001197	通气帽组件 Blowhole	1		YQXF30-0230
7	810110001198	加油口盖 Cover	1		YQXF30-0104
8	810110001199	挡油板 Blood	1		YQXF30-0102
9	810110001200	螺栓 M6×16 Bolt M6×16	4		GB5783-86-M6×16
10	810110001201	平垫圈 6 Washerr6	4		GB97.1-85-6
11	810110001202	螺塞 R1/8 Plug R1/8	1		JB/ZQ4446-86 R1/8
12	810110001203	O 型圈 16×2.65 O-ring16×2.65	1		GB3452.1-87-16×2.65
13	810110001204	挡板 Board	1		YQXF30-0214
14	810110001205	螺栓 M8×20 Bolt M8×20	1		GB5783-86

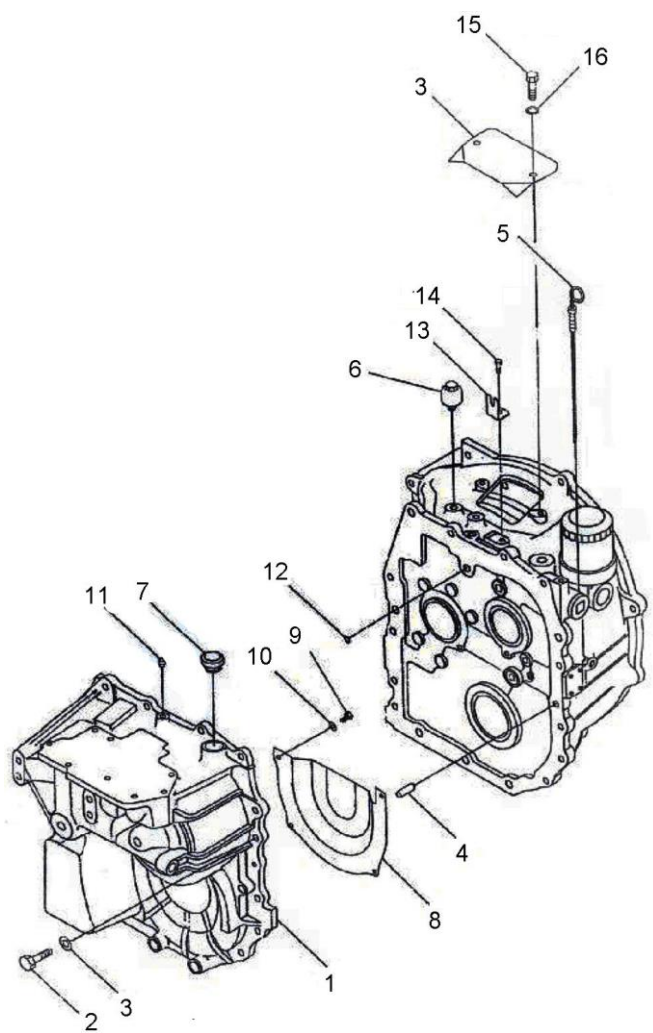
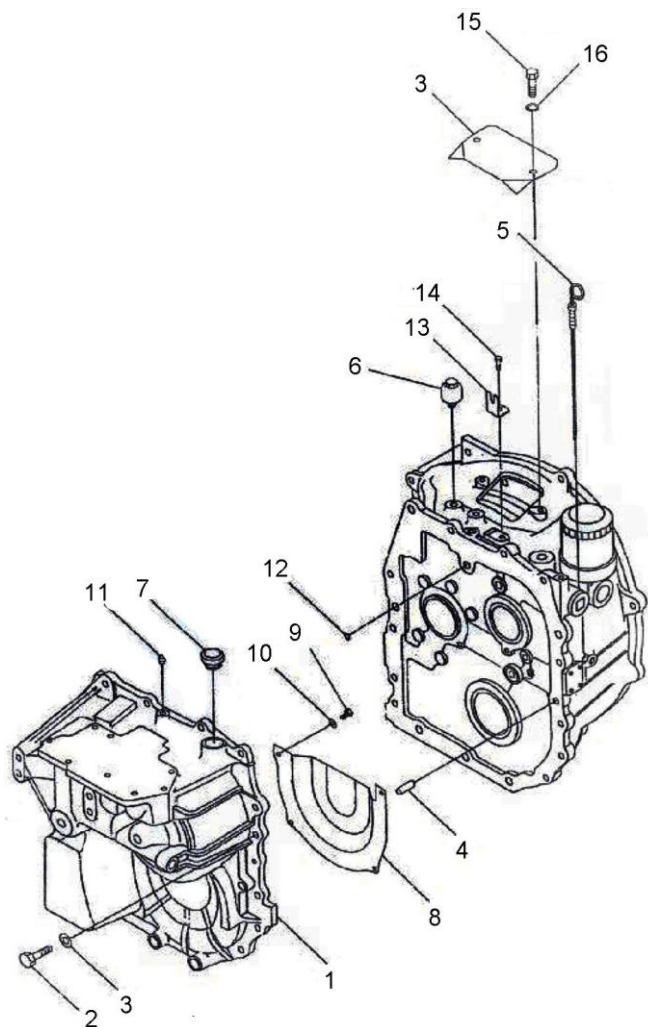


图 31 变速箱 (其 2)
Fig. 31 Transmission (part-2)

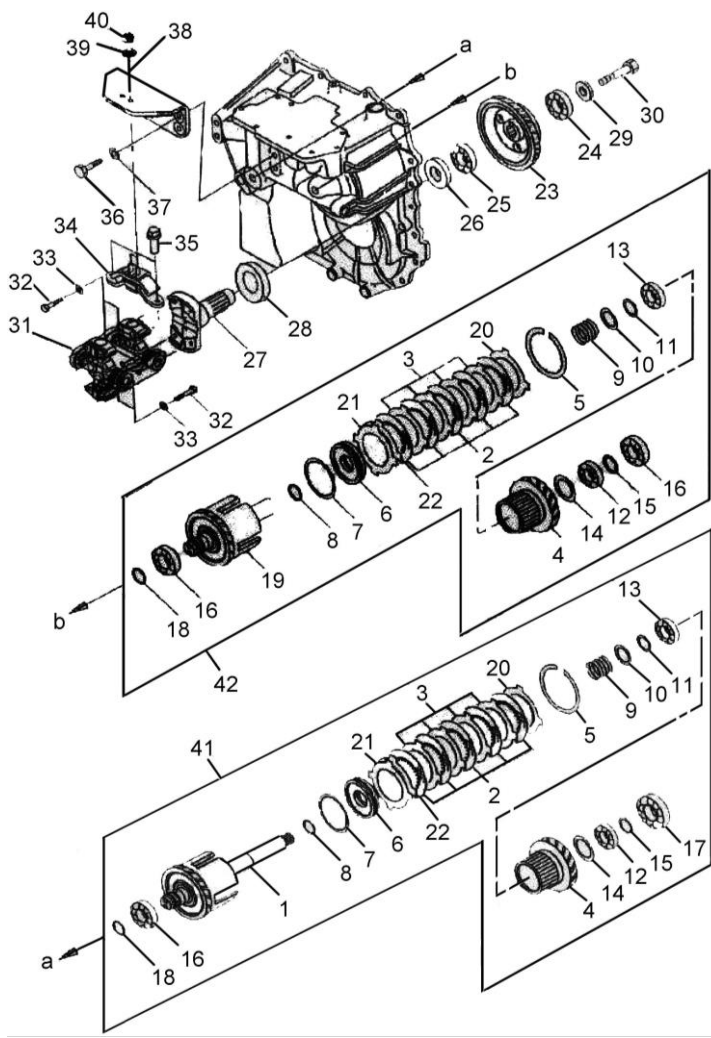
1.0-3.5t
XYQXF 系列液力传动变速箱 (绍兴)
XYQXF Series Hydrodynamic Transmission Gearbox (SHAOXIN)



序号 Item	物料码 Part No.	名称 Description	数量 Qty	备注或适用车型 Remarks or Serial No.	原物料码 Original Part No.
15	810110001206	螺栓 M8×18 Bolt M8×18	2		GB5783-86-M8×18
16	810110001207	平垫圈 8 Pin 8	2		GB97.1-82-8

图 32 变速箱 (其 3)
Fig. 32 Transmission (part-3)

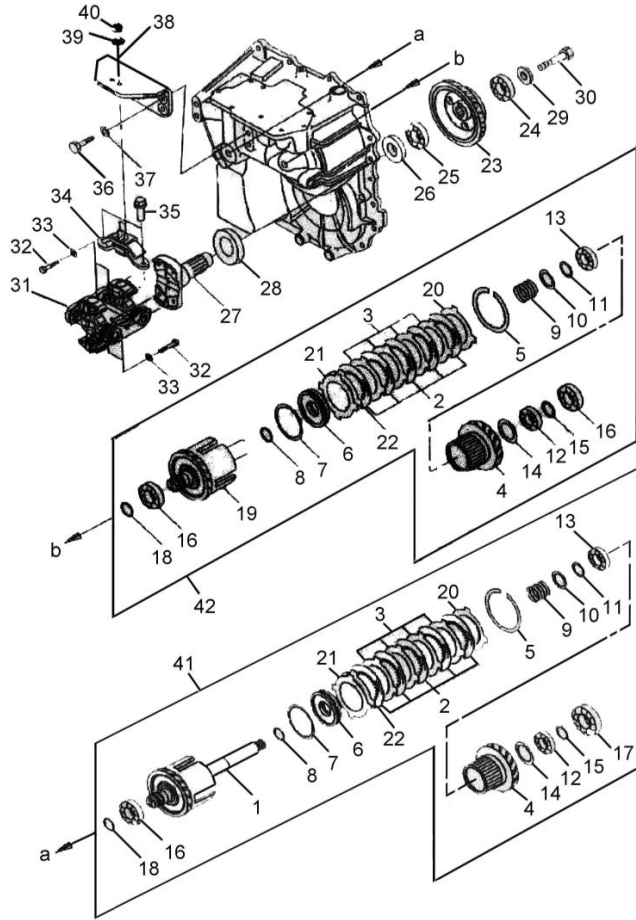
1.0-3.5t
XYQXF 系列液力传动变速箱 (绍兴)
XYQXF Series Hydrodynamic Transmission Gearbox (SHAOXIN)



序号 Item	物料码 Part No.	名称 Description	数量 Qty	备注或适用车型 Remarks or Serial No.	原物料码 Original Part No.
1	810110001208	输入轴组件 Input axes	1		YQXF30-1100
2	810110001209	内摩擦片 Disk friction	10	1.0-1.8t 数量 8 1.0-1.8t Qty 8	YQXF30-1200
3	810110001210	隔片 Spacer	8	1.0-1.8t 数量 6 1.0-1.8t Qty 6	YQXF30-1007
4	810110001211	离合器齿轮 Clutch Gear	2		YQXF30-1001
5	810110000102	卡簧 Block	2		YQX30-1014
6	810110001213	活塞组件 Piston	2		YQXF30-1300
7	810110001214	活塞环 Piston ring	2		YQXF30-1009
8	810110001215	密封环 Seal ring	2		YQS30-1002
9	810110001216	弹簧 Spring	2		YQXF30-1005
10	810110001217	弹簧座 Spring seat	2		YQXF30-1004
11	810110001218	轴用挡圈 Snap ring external	2		YQXF30-1003
12	810110001219	轴承 Bearing	2		GB276-6006
13	810110001220	轴承 Bearing	1		GB276-6006RZ
14	810110001221	孔用弹性挡圈 55 Snap ring exterior 55	10		GB893.1-86-55
15	810110001222	隔圈 Spacer	8		YQXF30-1002

图 32 变速箱 (其 3)
Fig. 32 Transmission (part-3)

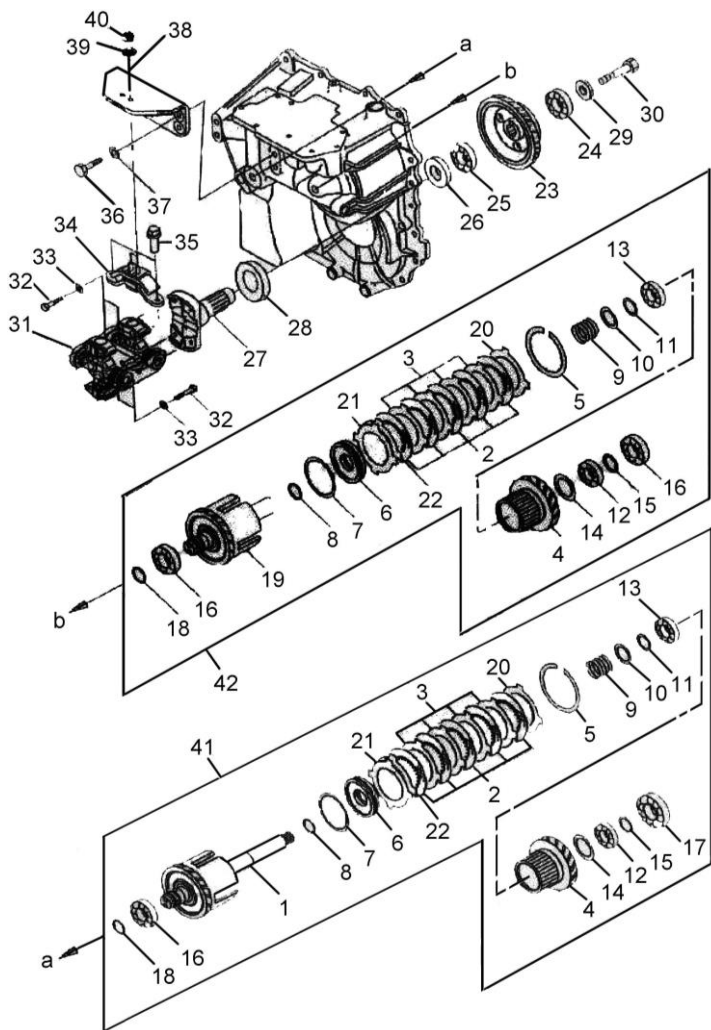
1.0-3.5t
XYQXF 系列液力传动变速箱 (绍兴)
XYQXF Series Hydrodynamic Transmission Gearbox (SHAOXIN)



序号 Item	物料码 Part No.	名称 Description	数量 Qty	备注或适用车型 Remarks or Serial No.	原物料码 Original Part No.
16	810110001223	轴承 Bearing	2		GB276-6206
17	810110001224	轴承 Bearing	2		GB276-6306
18	810110000092	密封环 (A) Seal ring(A)	2		YQX30-1006
19	810110001227	中间轴组件 Middle axes	2		YQXF30-1006
20	810110001227	端板 Board	2		YQXF30-1006
21	810110001228	碟形板 Dish plate	2	1.0-1.8t	YQXF15-1002
22	810110001229	垫板 Washer board	2		YQXF30-1008
23	810110001230	输出齿轮 Out put gear	2		YQXF30-0001
24	810110000251	轴承 6306 Bearing 6306	2		GB276-94-6306
25	810110001232	轴承 6307 Bearing 6307	1		GB276-94-6307
26	810110001233	输出法兰油封 Output flange seal	1		YQXF30-0400
27	810110001235	输出法兰 Output flange	1		YQXF30L-0301
28	810110001236	防尘罩 Dustproof cover	1		YQXF30-0302
29	810110001237	垫圈 Washer	1		YQXF30-0002
30	810110001238	螺栓 M12x95 Bolt M12x95	1		GB5782-86-M12x95

图 32 变速箱 (其 3)
Fig. 32 Transmission (part-3)

1.0-3.5t
XYQXF 系列液力传动变速箱 (绍兴)
XYQXF Series Hydrodynamic Transmission Gearbox (SHAOXIN)



序号 Item	物料码 Part No.	名称 Description	数量 Qty	备注或适用车型 Remarks or Serial No.	原物料码 Original Part No.
31	810110001239	联轴器总成 Yoke coupling	1		YQXF30-7000
32	810110001240	螺栓 Bolt	8		YQXF30-0005
33	810110000034	弹簧垫圈 10 Washer 10	8		GB93-87-10
34	810110001242	支座组件 Seat assy	1		YQXF30-2070
34	810110001243	固定架 Fastness seat	1		YQXF30-2003
35	810110001244	螺栓 Bolt	2		YQXF30-2002
36	810110001245	螺栓 Bolt	4		YQXF30-0105
37	810110001246	平垫圈 12 Washer 12	4		GB97.1-85-12
38		支架 Plank	1		
39	810110001249	垫圈 12 Washer 12	2		GB97-85-12
40	810110001250	六角锁紧螺母 Nut M12x1.25	2		GB6185-85-M12x1.25
41	810110001251	输入轴总成(输入离合器) input axes	1	1.0-1.8t	YQXF15-1000
41	810110001252	输入轴总成(输入离合器) input axes	1	2.0-3.5t	YQXF30-1000
42	810110001253	中间轴总成(中间离合器) middle axes	1	1.0-1.8t	YQXF15-5000
42	810110001254	中间轴总成(中间离合器) middle axes	1	2.0-3.5t	YQXF30-5000

图 33 电磁控制操纵阀
Fig. 33 Electro-hydraulic operating valve

1.0-3.5t
XYQXF 系列液力传动变速箱 (绍兴)
XYQXF Series Hydrodynamic Transmission Gearbox (SHAOXIN)

序号 Item	物料码 Part No.	名称 Description	数量 Qty	备注或适用车型 Remarks or Serial No.	原物料码 Original Part No.
1	810110001255	阀体 Body, valve	1		YQXF30-4101
2	810110001256	微动阀芯 Inching plunger	1		YQXF30-4102
3	810110001257	阀套 Valve cover	1		YQXF30-4103
4	810110001258	定位弹簧 Orientation spring	1		YQXF30-4104
5	810110001259	弹簧座 Spring seat	1		YQXF30-4105
6	810110001260	弹性圆柱销 3×16 Pin 3×16	1		GB879-86-3×16
7	810110001261	复位弹簧 Displasis spring	1		YQXF30-4106
8	810110001262	调节阀芯 Adjust plunger	1		YQXF30-4107
9	810110001263	调节阀内簧 Adjust Internal spring	1		YQXF30-4109
10	810110001264	调节阀外簧 Adjust external spring	1		YQXF30-4108
11	810110001265	限位销 Limit pin	1		YQXF30-4111
12	810110001266	盖板 Board	1		YQXF30-4112
13	810110001267	密封垫 Seal washer	1		YQXF30-4113
14	810110001268	螺栓 M6×16 Bolt M6×16	6		GB82-86-M6×16
15	810110001269	柱塞 Plug	1		YQXF30-4115

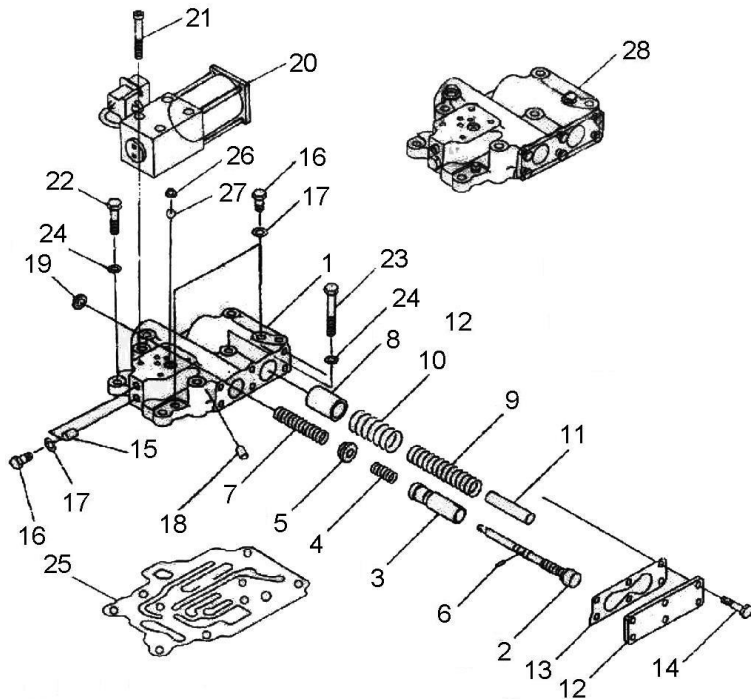


图 33 电磁控制操纵阀
Fig. 33 Electro-hydraulic operating valve

1.0-3.5t
XYQXF 系列液力传动变速箱 (绍兴)
XYQXF Series Hydrodynamic Transmission Gearbox (SHAOXIN)

序号 Item	物料码 Part No.	名称 Description	数量 Qty	备注或适用车型 Remarks or Serial No.	原物料码 Original Part No.
16	810110001270	螺塞 M10×1 Plug M10×1	4		YQXF30-4116
17	810110001271	密封垫 10×16×1 Seal washer	4		Q20-03-10×16×1
18	810110001272	阻尼塞 Plug	1		YQXF30-4114
19	810110001273	骨架油封 10×22×7 Oil seal	1		YQXF30-4140
20	810110001274	电磁换向阀, 三线插头 Solenoid valve, 3-way plug	1		YQXF30H-4200
21	810110000686	内六角螺钉 M5×45 Bolt M5×45	4		GB70-85-M5×45
22	810110000150	螺栓 M8×35 Bolt M8×35	2		GB5783-86-M8×35
23	810110001278	螺栓 M8×60 Bolt M8×60	5		GB5782-86-M8×60
24	810110001187	平垫圈 8 Washer 8	7		GB97-85-8
25	810110001579	密封垫 Seal washer	1		YQXF30-0004A
26	810110001281	包边滤片 Colander	1		YQXF30-4150
27	810110001282	O 型密封圈 12×1.9 O-ring 12×1.9	1		GB1235-76-12×1.9
28	810110001580	操纵阀总成 Operating Valve	1		YQXF30A-4100

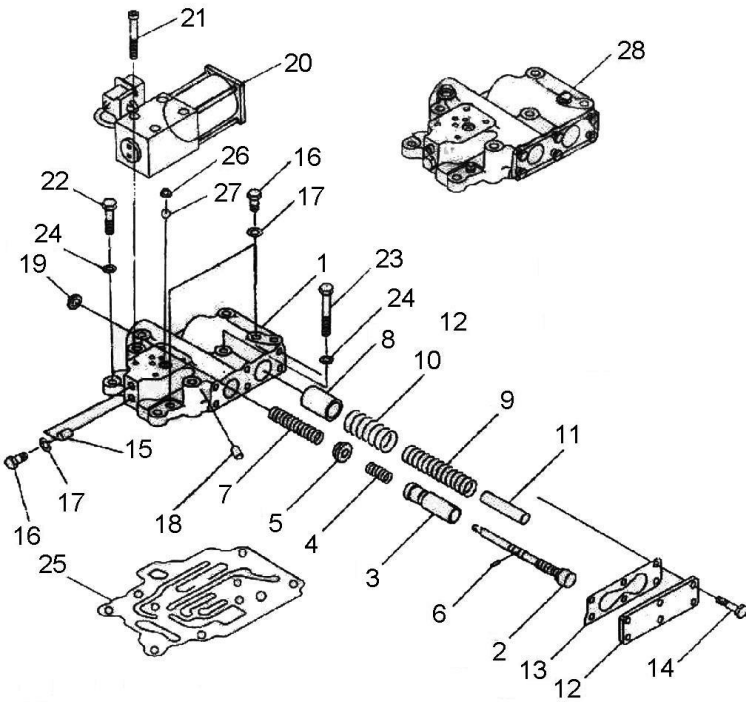


图 34 减速器总成
Fig.34 Reduction assy

1.0-3.5t
XYQXF 系列液力传动变速箱 (绍兴)
XYQXF Series Hydrodynamic Transmission Gearbox (SHAOXIN)

序号 Item	物料码 Part No.	名称 Description	数量 Qty	备注或适用车型 Remarks or Serial No.	原物料码 Original Part No.
1	810110001284	差速器座 Body,valve	1	1.0-1.8t 1,2 成对购买 1.0-1.8t 1,2 Paired buy	YQXF15-2201
1	810110001285	差速器座 Body,valve	1	2.0-2.5t 1,2 成对购买 2.0-2.5t 1,2 Paired buy	YQXF20-2201
1	810110001286	差速器座 Body,valve	1	3.0-3.5t 1,2 成对购买 3.0-3.5t 1,2 Paired buy	YQXF30-2201
2	810110001287	轴承座 Gear seat	2	1、2成对购买 1、2Paired buy	YQXF30-2202
3	810110001288	螺栓 Bolt	4		YQXF30-2203
4	810110001289	轴承座 Gear seat	1	3-3.5 t	YQXF30-2041
5	810110001290	螺栓 Bolt	3	3-3.5 t	YQXF30-2110
6	810110001291	螺栓 Bolt	5	3-3.5 t	YQXF30-2109
7	810110001292	差速器盖 Differential cover	1		YQXF30-2001
8	810110001293	螺栓 M10x55 Bolt M10x55	2		GB5782-86-M10x55
9	810110001294	螺栓 M10x70 Bolt M10x70	8		GB5782-86-M10x70
10	810110000034	垫片 10 Washer10	10		GB93-87-10
11	810110001296	内螺纹圆柱销 12x28 Pin 12x28	2		GB120-86-12x28
12	810110001297	主动齿轮 Initative	1	1.0-1.8t 12,19 成对购买 1.0-1.8t 12,19Paired buy	YQXF15-2031
12	810110001298	主动齿轮 Initative	1	2.0-3.5t 12,19 成对购买 2.0-3.5t 12,19Paired buy	YQXF30-2031

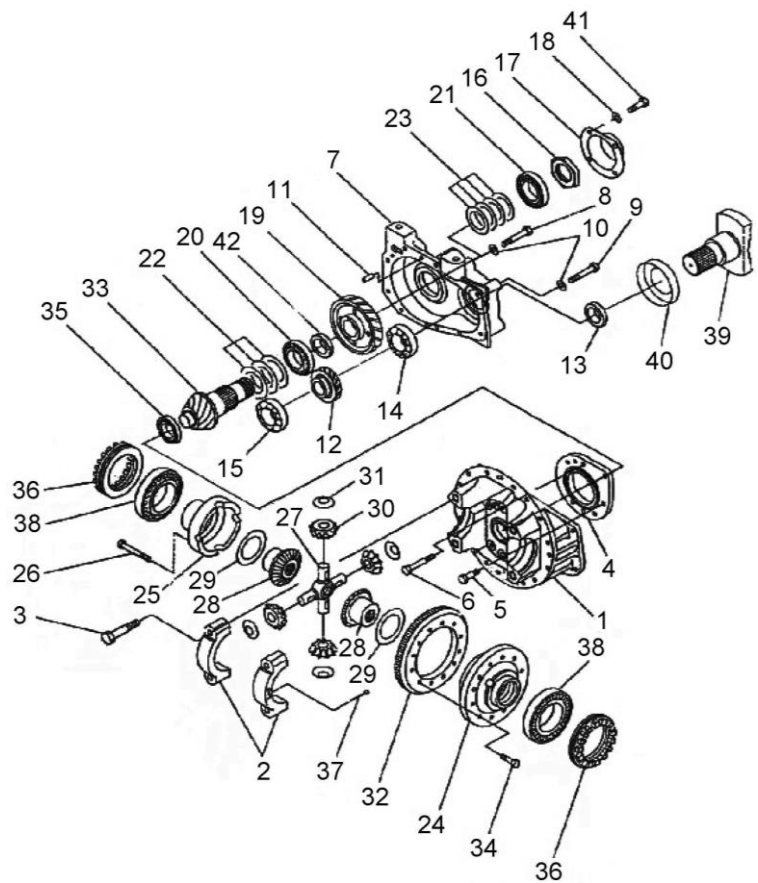


图 34 减速器总成
Fig.34 Reduction assy

1.0-3.5t
XYQXF 系列液力传动变速箱 (绍兴)
XYQXF Series Hydrodynamic Transmission Gearbox (SHAOXIN)

原物料码

序号 Item	Original Part No.	名称 Description	数量 Qty	备注或适用车型 Remarks or Serial No.	原物料码 Original Part No.
13	810110001299	油封 Oil seal	1		YQXF30-2050
14	810110000841	轴承 6210 Gear 6210	1		GB276-94-6210
15	810110000198	轴承 6211 Gear 6211	1		GB276-94-6211
16	810110001302	锁紧螺母 Lock nut	1		YQXF30-2008
17	810110001303	端盖 Cover	1		YQXF30-2011
18	810110001187	垫片 8 Washer 8	4		GB97-85-8
19	810110001305	从动齿轮 Bevel gear	1	1.0-1.8t 12,19 成对购买 1.0-1.8t 12,19 Paired buy	YQXF15-2003
19	810110001306	从动齿轮 Bevel gear	1	2.0-3.5t 12,19 成对购买 2.0-3.5t 12,19 Paired buy	YQXF30-2005
20	810110001307	轴承 30310 Bearing 30310	1		GB297-94 30310
21	810110001308	轴承 30309 Bearing 30309	1		GB297-94 30309
22	810110001309	调整垫 Adjust washer	按需		YQXF30-2006
23	810110001310	调整垫 Adjust washer	按需		YQXF30-2007
24	810110001311	差速器壳-左 Differential hull,Left	1	1.0-1.8t 24,25 成对购买 1.0-1.8t 24,25 Paired buy	YQXF15-2111
24	810110001312	差速器壳-左 Differential hull,Left	1	2.0-2.5t 24,25 成对购买 2.0-2.5t 24,25 Paired buy	YQXF20-2111
24	810110001313	差速器壳-左 Differential hull,Left	1	3.0-3.5t 24,25 成对购买 3.0-3.5t 24,25 Paired buy	YQXF30-2111

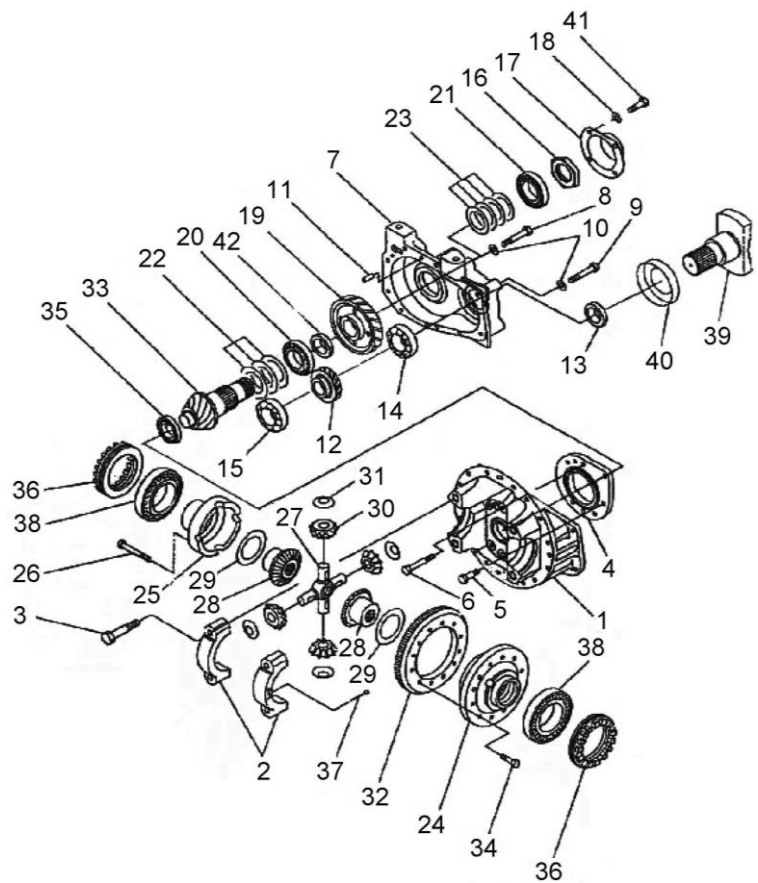


图 34 减速器总成
Fig.34 Reduction assy

1.0-3.5t
XYQXF 系列液力传动变速箱 (绍兴)
XYQXF Series Hydrodynamic Transmission Gearbox (SHAOXIN)

序号 Item	物料码 Part No.	名称 Description	数量 Qty	备注或适用车型 Remarks or Serial No.	原物料码 Original Part No.
25	810110001314	差速器壳-右 Differential hull,Right	1	1.0-2.5t 24,25 成对购买 1.0-2.5t 24,25 Paired buy	YQXF20-2112
25	810110001315	差速器壳-右 Differential hull,Right	1	3.0-3.5t 24,25 成对购买 3.0-3.5t 24,25 Paired buy	YQXF30-2112
26	810110001316	螺栓 Bolt	16		YQXF30-2108
27	810110001317	十字轴 Shaft-pinion mate	1	1.0-2.5t	YQXF20-2107
27	810110001318	十字轴 Shaft-pinion mate	1	3.0-3.5t	YQXF30-2107
28	810110001319	半轴齿轮 Side gear	2	1.0-2.5t	YQXF20-2101
28	810110001320	半轴齿轮 Side gear	2	3.0-3.5t	YQXF30-2101
29	810110001321	垫圈 Washer	2	1.0-2.5t	YQXF20-2105
29	810110001322	垫圈 Washer	2	3.0-3.5t	YQXF30-2105
30	810110001323	行星齿轮 Gear-pinion	4	1.0-2.5t	YQXF20-2106
30	810110001324	行星齿轮 Gear-pinion	4	3.0-3.5t	YQXF30-2106
31	810110001325	止推垫圈 Cease washer	4	1.0-2.5t	YQXF20-2104
31	810110001326	止推垫圈 Cease washer	4	3.0-3.5t	YQXF30-2104
32	810110001327	从动螺旋伞齿轮 Bevel gear,driven	1	1.0-1.8t 32,33 成对购买 1.0-1.8t 32,33 Paired buy	YQXF15-2101
32	810110001328	从动螺旋伞齿轮 Bevel gear,driven	1	2.0-2.5t 32,33 成对购买 2.0-2.5t 32,33 Paired buy	YQXF20-2103

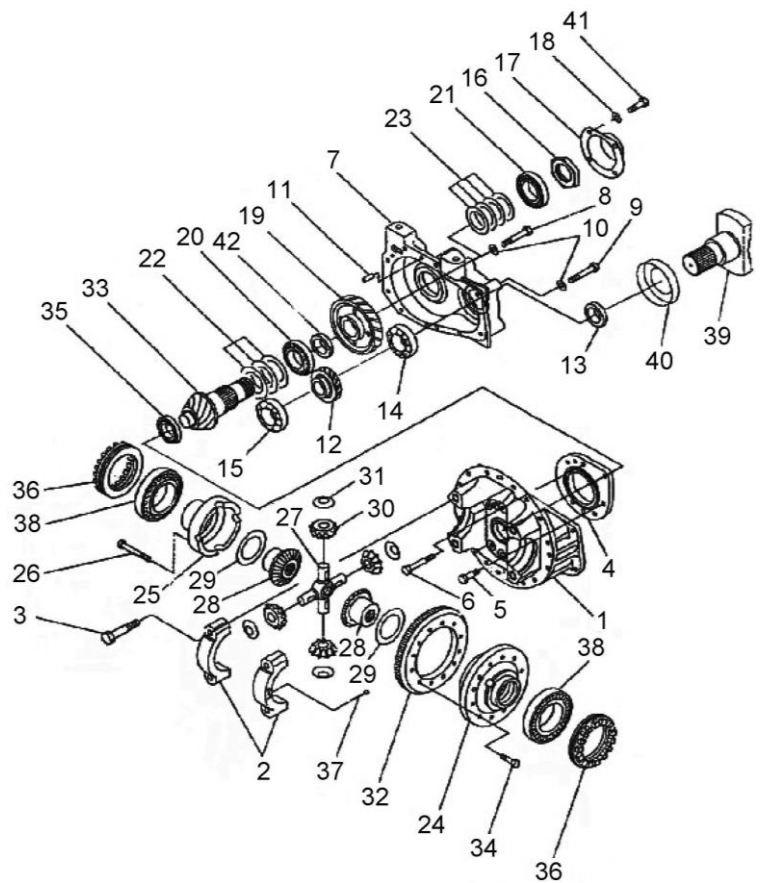
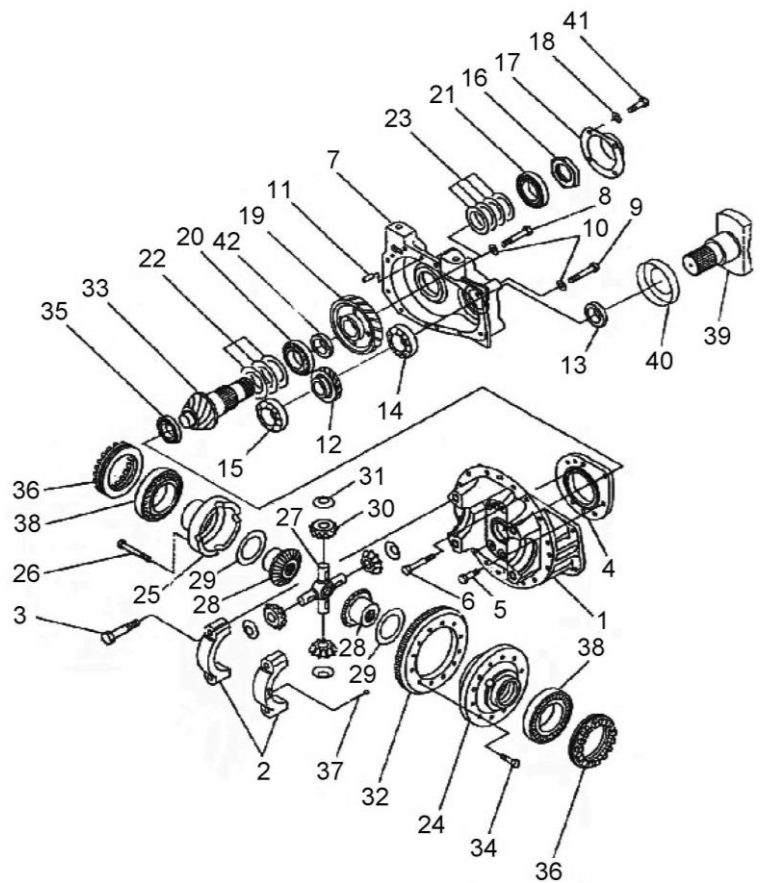


图 34 减速器总成
Fig.34 Reduction assy

1.0-3.5t
XYQXF 系列液力传动变速箱 (绍兴)
XYQXF Series Hydrodynamic Transmission Gearbox (SHAOXIN)

序号 Item	物料码 Part No.	名称 Description	数量 Qty	备注或适用车型 Remarks or Serial No.	原物料码 Original Part No.
32	810110001329	从动螺旋伞齿轮 Bevel gear,driven	1	3.0-3.5t 32,33 成对购买 3.0-3.5t 32,33Paired buy	YQXF30-2103
33	810110001330	主动螺旋伞齿轮 Driving bevel gear	1	1.0-1.8t 32,33 成对购买 1.0-1.8t 32,33 Paired buy	YQXF15-2001
33	810110001331	主动螺旋伞齿轮 Driving bevel gear	1	2.0-2.5t 32,33 成对购买 2.0-2.5t 32,33Paired buy	YQXF20-2001
33	810110001332	主动螺旋伞齿轮 Driving bevel gear	1	3.0-3.5t 32,33 成对购买 3.0-3.5t 32,33Paired buy	YQXF30-2061
34	810110001333	螺栓 Bolt	12		YQXF30-2102
35	810110001334	轴承 NUP2205E GearNUP2205E	1	3-3.5 t	GB283-94-NUP2205E
36	810110001335	调整螺母 Adjust nut	2		YQXF30-2004
37	810110001336	开口销 8x50 Pin 8x50	2		GB91-86-8x50
38	810110001337	轴承 302015 Bearing 302015	2		GB297-94-302015
39	810110001338	输入法兰 Flange	1		YQXF30-2021
40	810110001339	防尘罩 Dustproof cover	1		YQXF30-2022
41	810110000062	螺栓 M8x20 Washer M8x20	4		GB5783-86-M8x20
42	810110001341	衬套 Bush	1	1.0-1.8t	YQXF15-2002
42	810110001342	衬套 Bush	1	2.0-3.5t	YQXF20-2002
					YQXF30-2103



变速箱密封（修理）工具包 Transmission repair kits		1.0-3.5t XYQXF 系列液力传动变速箱 (绍兴) 1.0-3.5t XYQXF Series Hydrodynamic Transmission Gearbox (SHAOXIN)			
序号 Item	物料码 Part No.	名称 Description	数量 Qty	备注或适用车型 Remarks Or Serial No.	
1	810110001156	油封 Oil seal	1	图 30 变速箱（其 1） Fig.30 Transmission (Part-1)	(序号 7) (No. 7) TC 42×60×9
2	810110001159	O 型圈 O-ring	1	图 30 变速箱（其 1） Fig.30 Transmission (Part-1)	(序号 10) (No. 10) YQXF30-0003
3	810110001161	密封环 Airproof ring	1	图 30 变速箱（其 1） Fig.30 Transmission (Part-1)	(序号 12) (No. 12) YQXF30-3102
4	810110001170	密封环 Airproof ring	1	图 30 变速箱（其 1） Fig.30 Transmission (Part-1)	(序号 21) (No. 21) YQXF30-0203
5	810110001172	油滤座纸垫 Strainer seat washer	1	图 30 变速箱（其 1） Fig.30 Transmission (Part-1)	(序号 23) (No. 23) YQXF30-0205
6	810110001173	粗滤器组件 Strainer assy	1	图 30 变速箱（其 1） Fig.30 Transmission (Part-1)	(序号 24) (No. 24) YQXF30-0240
7	810110000134	滤油器(II) Strainer(II)	1	图 30 变速箱（其 1） Fig.30 Transmission (Part-1)	(序号 31) (No. 31) YQX30-0300
8	810110001350	O 型圈 21×3 O-ring 21×3	1	图 30 变速箱（其 1） Fig.30 Transmission (Part-1)	(序号 35) (No. 35) GB3452.1-82-21×3
9	810110001351	O 型圈 16×2.65 O-ring 16×2.65	2	图 31 变速箱（其 2） Fig.30 Transmission (Part-2)	(序号 12) (No. 12) GB3452.1-82-16×2.65
10	810110001214	活塞环 Piston ring	2	图 32 变速箱（其 3） Fig.32 Transmission (Part-3)	(序号 7) (No. 7) YQXF30-1009
11	810110001215	密封环 Airproof ring	2	图 32 变速箱（其 3） Fig.32 Transmission (Part-3)	(序号 8) (No. 8) YQS30-1002
12	810110000092	密封环(A) Airproof ring(A)	5	图 32 变速箱（其 3） Fig.32 Transmission (Part-3)	(序号 18) (No. 18) YQX30-1006
13	810110001233	输出法兰油封 Output flange oil seal	1	图 32 变速箱（其 3） Fig.32 Transmission (Part-3)	(序号 26) (No. 26) YQXF30-0400
14	810110001280	密封垫 Airproof Washer	1	图 33 电磁控制操纵阀 Fig.33 Electro-hydraulic operating valve	(序号 25) (No. 25) YQXF30-0004
15	810110001282	O 型圈 12×1.9 O-ring 12×1.9	1	图 33 电磁控制操纵阀 Fig.33 Electro-hydraulic operating valve	(序号 27) (No. 27) GB1235-76-12×1.9
16	810110001299	油封 Oil seal	1	图 34 减速器总成 Fig.34 Reduction assy	(序号 13) (No. 13) YQXF30-2050

图 35 传动系统
Fig. 35 Driving system

Ⓕ CPCD30/35/38-XRW73

序号 Item	物料码 Part No.	名称 Description	数量 Qty	备注或适用车型 Remarks or Serial No.	原物料码 Original Part No.
1	见图 11 See Fig.11	驱动桥总成 Drive axle assy	1		
2	810120000147	1598H 密封胶 1598H Salant	1		159895
3	300050100009	销 B10×25 Pin B10×25	1		G000120-010025-01
4	300030010002	垫圈 12 Washer12	12		G000093-000012-00
5	300010040037	螺栓 M12×40 Bolt M12×40	10		G005783-012040-00
6	300010040033	螺栓 M12×30 Bolt M12×30	2		G005783-012030-00
7	201200000363	液力变速箱 XYQXD30 Hydraulic transmission	1		XR311-120000-G00
8	300030010001	垫圈 10 Washer10	8		G000093-000010-00
9	300010060011	螺栓 M10×1.25×35 Bolt M10×1.25×35	7		G005786-010035-00
10	300010030015	螺栓 M10×50 Bolt M10×50	1		G005782-010050-00
11	300020010006	螺母 M10 Nut M10	1		G006170-000010-00
12	300030010015	垫圈 8 Washer 8	12		G000093-000008-00
13	300010040173	螺栓 M8×20 Bolt M8×20	12		G005783-008020-00
15	见图 1 See Fig.1	前轮总成(单轮) front wheel assy (Single)	2		
15	见图 2 See Fig.2	内前轮总成(双轮)Inner front wheel assy(double)	2		

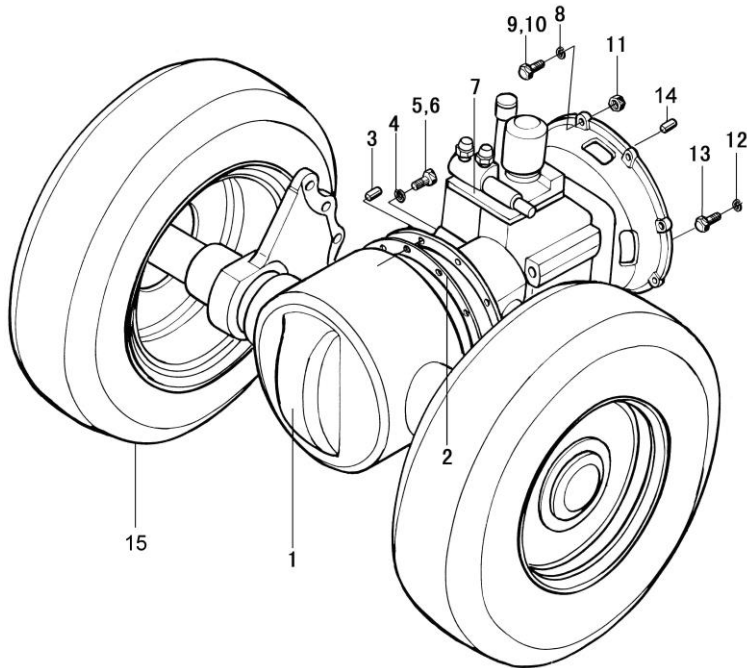
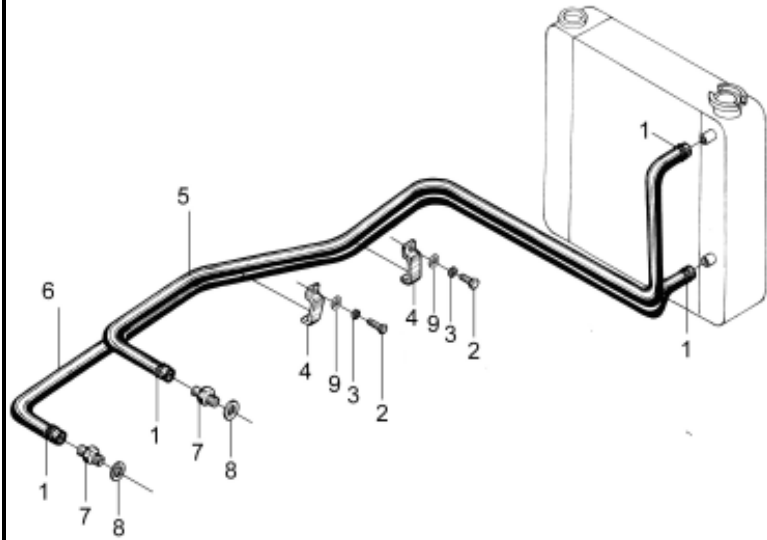


图 36 冷却油管总成
Fig.36 Cooling oil pipe assy

Ⓕ CPCD30/35/38-XRW73



序号 Item	物料码 Part No.	名称 Description	数量 Qty	备注或适用车型 Remarks or Serial No.	原物料码 Original Part No.
A1	201600000002	冷却油管总成 Oil cooling pipe assy	1		N160-110000-000
1	209990000781	双钢丝式环箍 23 Clamp 23	4		Q672-23-G00
2	300010040165	螺栓 M8×12 Bolt M8×12	4		G005783-008012-00
3	300030010015	垫圈 8 Washer 8	4		G000093-000008-00
4	310040010149	抱箍 Clamp	4		N160-110002-000
5	209990004239	胶管 L=2100 Rubber pipe	1		N160-110002-W00
6	209990004247	胶管 L=2400 Rubber pipe	1		N160-110003-W00
7	310050080012	回油管接头 Connector	2		N160-110001-000
8	300030140003	垫圈 14 Washer	2		J000982-000014-00
9	300030040014	垫圈 8 Washer 8	4		G0097P1-000008-00

