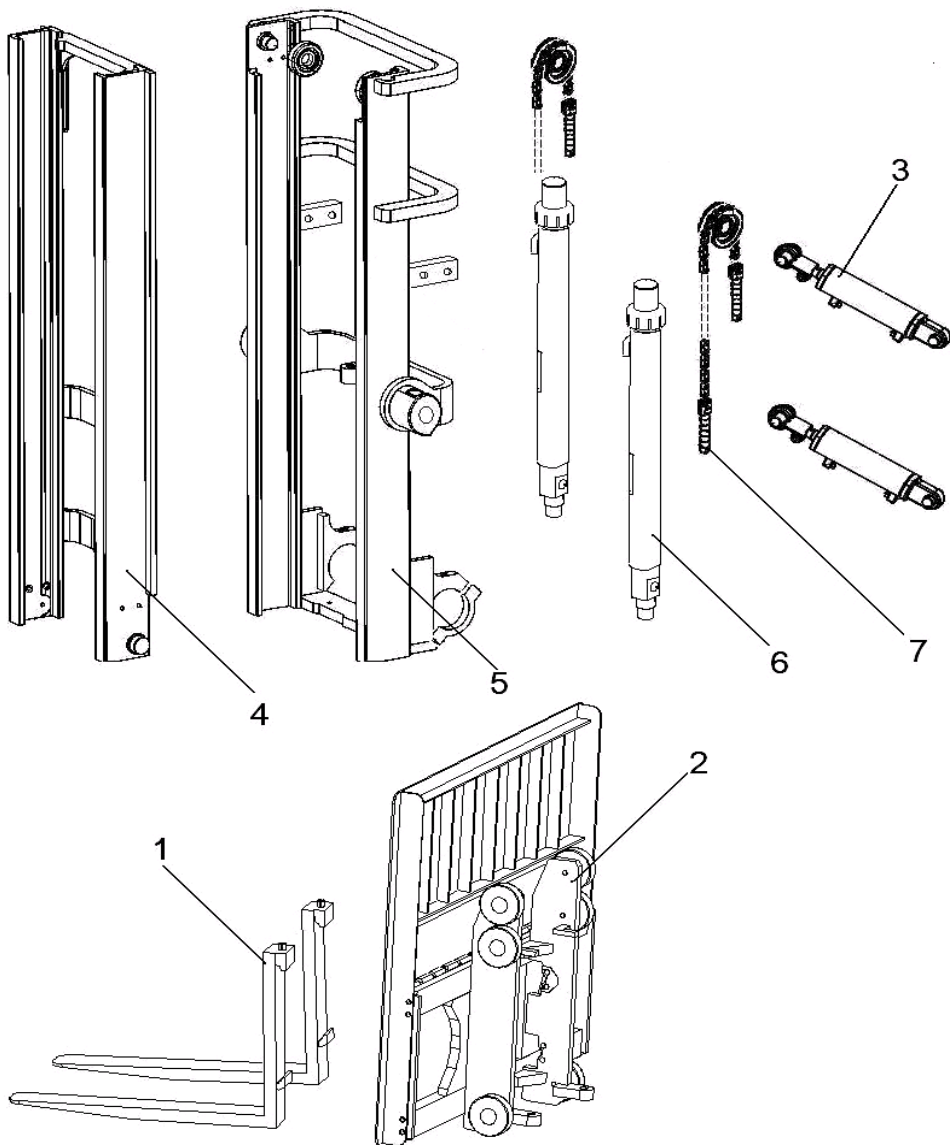


**FORKLIFT PARTS CATALOGUE**



**Loading System**



ItemNo.	Part No.	Part Description	Q'ty	Remark
1	D94207-00020	Fork ass'y	2	L=920
	D94207-00040	Fork ass'y	2	L=1070
	D94207-00060	Fork ass'y	2	L=1150
	D94207-00070	Fork ass'y	2	L=1220

**DALIAN FORKLIFT CO.,LTD**

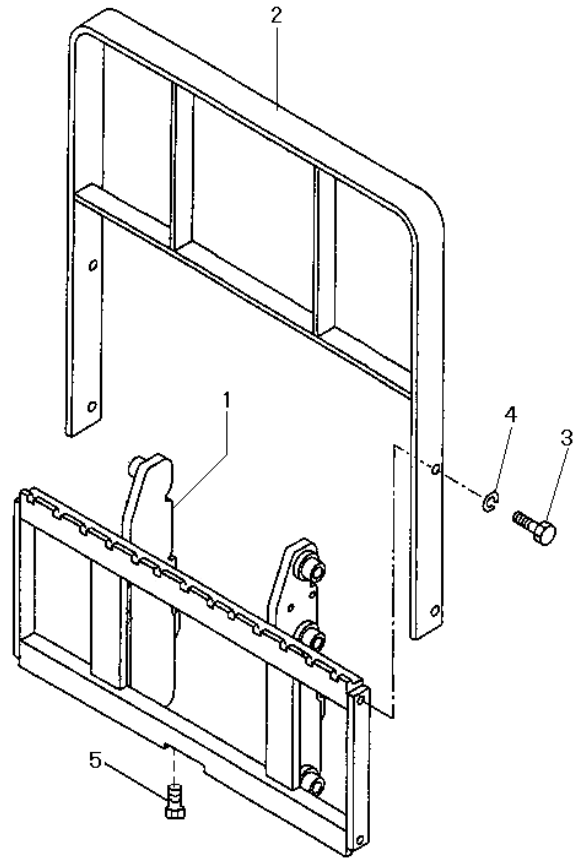
ItemNo.	Part No.	Part Description	Q'ty	Remark
1	D94207-00090	Fork ass'y	2	L=1370
	D94207-01010	Fork ass'y	2	L=1520
	D94207-01020	Fork ass'y	2	L=1670
	D94207-01030	Fork ass'y	2	L=1820
	D94207-01040	Fork ass'y	2	L=1970
2	20XFB13FA00000	Lift Bracket ass' y	1	
3	D94204-37010	Tilt cylinder	2	
4	20XFB11BA20000	Inner mast	1	MLH=2.0m
	20XFB11DA20000	Inner mast	1	MLH=2.6m
	20XFB11EA20000	Inner mast	1	MLH=2.7m
	20XFB11FA20000	Inner mast	1	MLH=3.0m
	20XFB11GA20000	Inner mast	1	MLH=3.3m
	20XFB11HA20000	Inner mast	1	MLH=3.5m
	20XFB11VA20000	Inner mast	1	MLH=3.7m
	20XFB11WA20000	Inner mast	1	MLH=3.9m
	20XFB11JA20000	Inner mast	1	MLH=4.1m
	20XFB11KA20000	Inner mast	1	MLH=4.2m
	20XFB11LA20000	Inner mast	1	MLH=4.5m
	20XFB11NA20000	Inner mast	1	MLH=5.0m
5	20XFB11BA10000	Outer mast	1	MLH=2.0m
	20XFB11DA10000	Outer mast	1	MLH=2.6m
	20XFB11EA10000	Outer mast	1	MLH=2.7m
	20XFB11FA10000	Outer mast	1	MLH=3.0m
	20XFB11GA10000	Outer mast	1	MLH=3.3m
	20XFB11HA10000	Outer mast	1	MLH=3.5m
	20XFB11VA10000	Outer mast	1	MLH=3.7m
	20XFB11WA10000	Outer mast	1	MLH=3.9m
	20XFB11JA20000	Outer mast	1	MLH=4.1m

**FORKLIFT PARTS CATALOGUE**

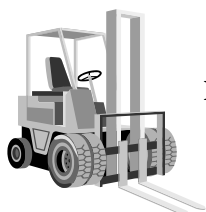
Item No.	Part No.	Part Description	Q'ty	Remark
5	20XFB11KA20000	Outer mast	1	MLH=4.2m
	20XFB11LA20000	Outer mast	1	MLH=4.5m
	20XFB11NA20000	Outer mast	1	MLH=5.0m
6	L94262-05010	Lift cylinder	2	MLH=2.0m
	L94262-05030	Lift cylinder	2	MLH=2.57m
	L94262-05170	Lift cylinder	2	MLH=2.7m
	L94262-05050	Lift cylinder	2	MLH=3.0m
	L94262-05080	Lift cylinder	2	MLH=3.3m
	L94262-05090	Lift cylinder	2	MLH=3.54m
	L94262-06010	Lift cylinder	2	MLH=3.74m
	L94262-05160	Lift cylinder	2	MLH=3.9m
	L94262-06030	Lift cylinder	2	MLH=4.1m
	L94262-05180	Lift cylinder	2	MLH=4.2m
	L94262-06040	Lift cylinder	2	MLH=4.5m
	L94262-06050	Lift cylinder	2	MLH=5.0m
7	20XFB11BA90000	Chain ass' y	2	MLH=2.0m
	20XFB11DA90000	Chain ass' y	2	MLH=2.6m
	20XFB11EA90000	Chain ass' y	2	MLH=2.7m
	20XFB11FA90000	Chain ass' y	2	MLH=3.0m
	20XFB11GA90000	Chain ass' y	2	MLH=3.3m
	20XFB11HA90000	Chain ass' y	2	MLH=3.5m
	20XFB11VA90000	Chain ass' y	2	MLH=3.7m
	20XFB11WA90000	Chain ass' y	2	MLH=3.9m
	20XFB11JA90000	Chain ass' y	2	MLH=4.1m
	20XFB11KA90000	Chain ass' y	2	MLH=4.2m
	20XFB11LA90000	Chain ass' y	2	MLH=4.5m
	20XFB11NA90000	Chain ass' y	2	MLH=5.0m



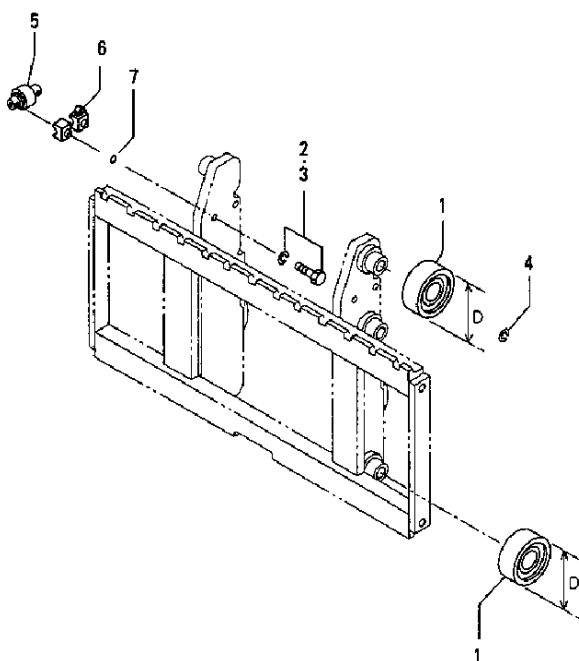
Lift bracket Ass'y



Item No.	Part No.	Part Description	Q'ty	Remark
1	20XFB13FA10000	Bracket, Lift	1	
2	D94201-12800	Backerest	1	
3	GB5786	Bolt <u>M14×1.5×35</u>	8	
4	GB93	Washer spring <u>14</u>	8	
5	GB70.1	Bolt <u>M8×1.25×12</u>	1	



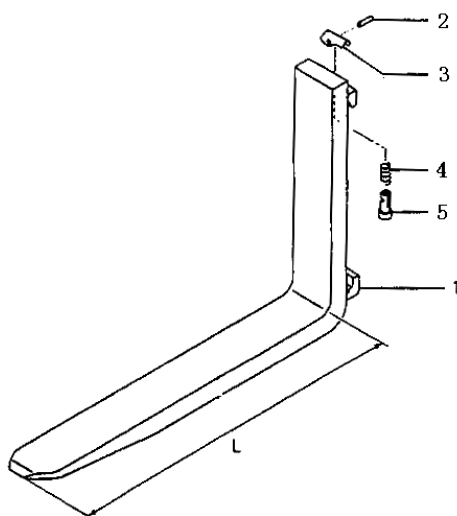
**Lift bracket**



Item No.	Part No.	Part Description	Q'ty	Remark
1	980811M-00	Roller <u>D=118.7</u>	6	SELECTIVE USE
	980811S-00	Roller <u>D=118.2</u>		
	980811L-00	Roller <u>D=119.7</u>		
2	GB5786	Bolt <u>M12×1.25×45</u>	8	
3	GB93	Washer spring <u>12</u>	8	
4	GB894.1	Snap ring <u>55</u>	6	
5	L4903	Side roller	4	
6	30XDB1FD00001	Board	8	
7	30X1000013	Washer	8/G	



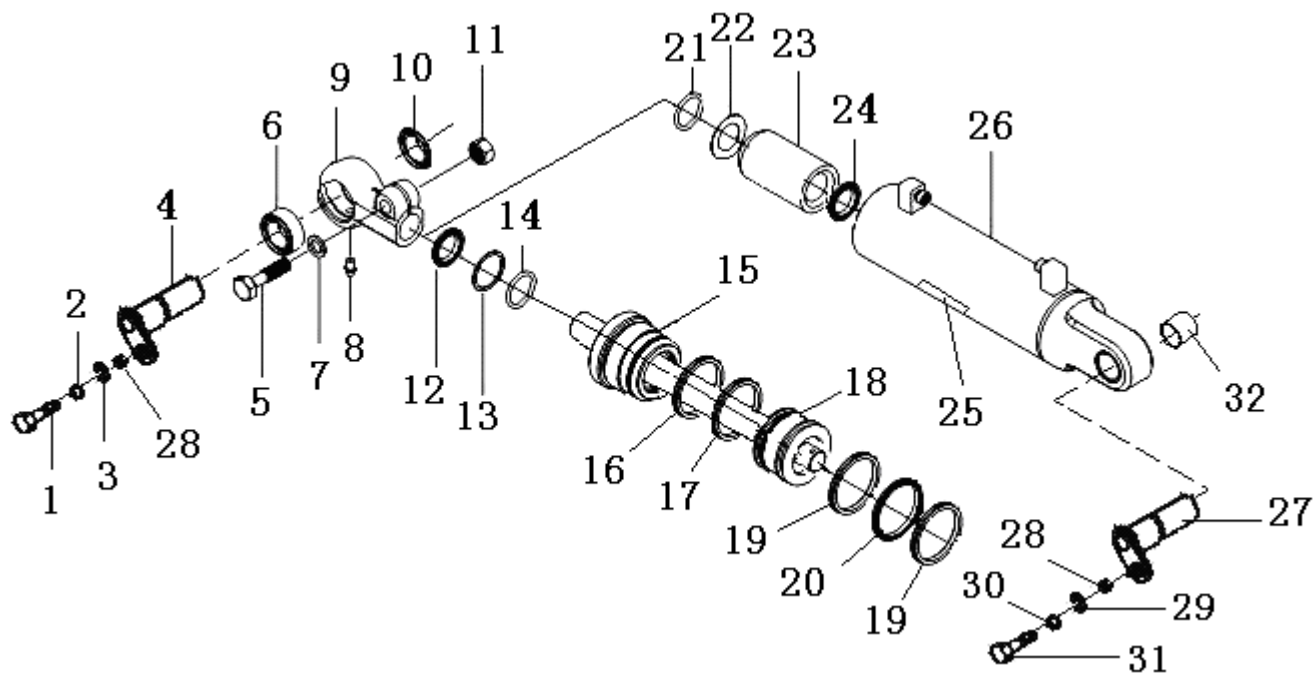
Fork



Item No.	Part No.	Part Description	Q'ty	Remark
1	D94206-07400	Fork	2	L=920
	D94206-07600	Fork	2	L=1070
	D94206-07800	Fork	2	L=1150
	D94206-07900	Fork	2	L=1220
	D94206-08100	Fork	2	L=1370
	D94206-08200	Fork	2	L=1520
	D94206-08300	Fork	2	L=1670
	D94206-08400	Fork	2	L=1820
	D94206-08500	Fork	2	L=1970
2	GB879.1	Pin <u>6×28</u>	2	
3	L94006-10400	Handle	2	
4	L94006-00600	Spring	2	
5	L94006-20200	Positioning pin	2	



Tilt Cylinder



Item No.	Part No.	Part Description	Q'ty	Remark
1	GB5786	Bolt <u>M12×1.25×30</u>	2	
2	GB97.1	Washer <u>12</u>	2	
3	GB93	Washer spring <u>12</u>	2	
4	L94204-14900	Pin, Tilt cylinder	2	
5	GB5783	Bolt <u>M14×50</u>	2	
6	DCQ80/35.SB-08	Axletree	2	
7	GB93	Washer spring <u>14</u>	2	
8	GB1152	Fitting grease <u>M6</u>	2	
9	DCQ70/30.SB-01/Z	Ear Ring	1	
9	DCQ70/30.SB-01/Y	Ear Ring	1	
10	DCQ80/35.SB-04	Ring	2	
11	GB6170	Nut <u>M14</u>	2	
12	CL0050CO	LBH-Ring <u>30×38×5/6.5</u>		
13	DCQ70/30.SB-05	Safety ring	2	
14	FU0357KO	ISI-Ring <u>30×40×6</u>	2	

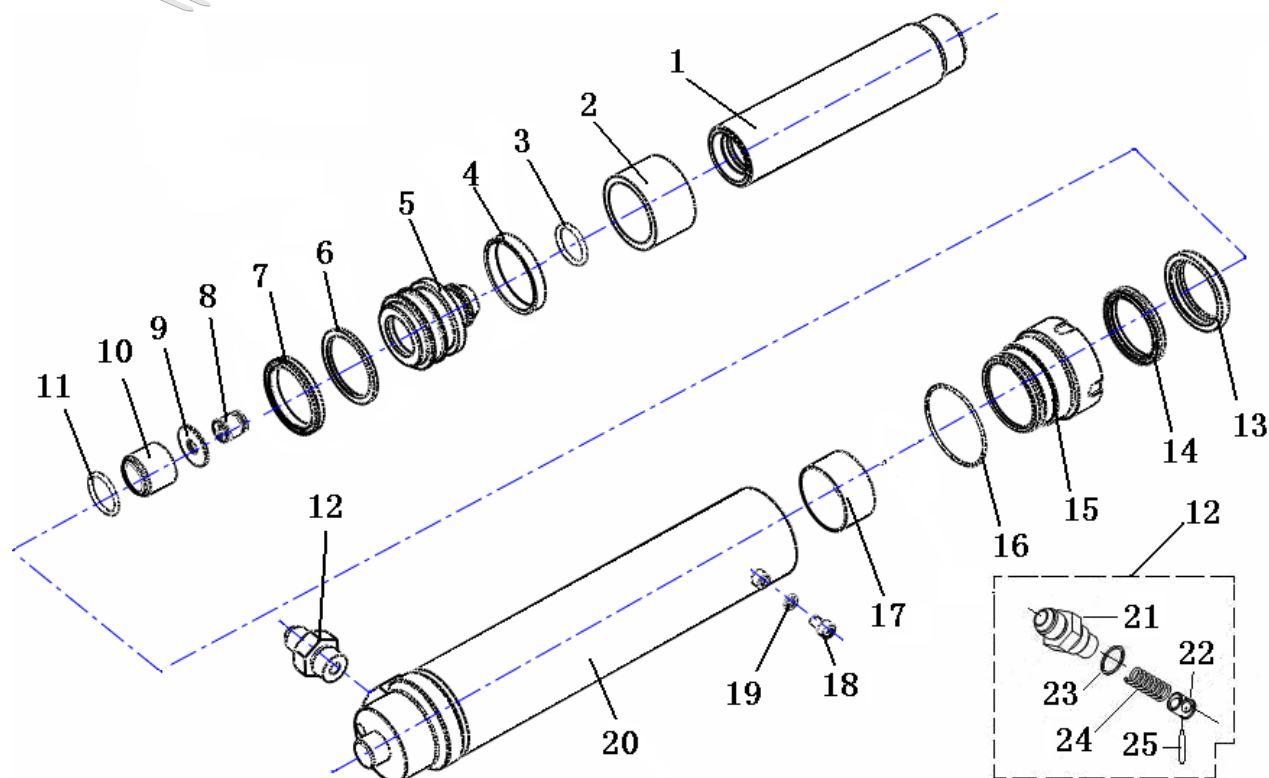
**DALIAN FORKLIFT CO.,LTD**

Item No.	Part No.	Part Description	Q'ty	Remark
15	DCQ70/30.SB-03	Guide sleeve	2	
16	GB3452.1	O-Ring <u>71×3.55</u>	2	
17	GB3452.1	O-Ring <u>61.5×5.3</u>	2	
18	DCQ70/30.SB-02/	Rod , Piston	2	
19	DCQ70/30.SB-06	Wearing	4	
20	GS1816VO	SPGO-Ring <u>70×56×6.3</u>	2	
21	L94105-01400	Shim	2	MLH≥4.1M
22	L94105-01300	Shim	2	MLH≥4.1M
23	L94204-15200	Steel tube	2	MLH≥4.1M
24	GB3452.1	O-Ring <u>30×3.55</u>	4	MLH≥4.1M
25		Scutcheon	2	
26	DCQ70/30.SB-10	Tube , Cylinder	2	
27	L91211-22300	Spindle	2	
28	L91211-23400	Spacer	4	
29	GB97.1	Washer <u>10</u>	2	
30	GB93	Washer spring <u>10</u>	2	
31	GB5786	Bolt <u>M10×1.25×25</u>	2	
32	LSF-1 3240	Bushing	2	
33	DCS55/45.159-06/S	Plug	4	图中未示





**Lift Cylinder**

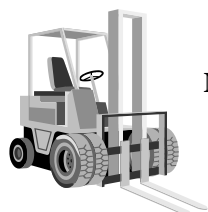


Item No.	Part No.	Part Description	Q'ty	Remark
1	Q050DL4-H2000-02	Pistion Group	2	MLH=2.0m
	Q050DL4-H4030	Pistion Group	2	MLH=2.6m
	Q050DL4-H2700-02	Pistion Group	2	MLH=2.7m
	Q050DL4-H3000-02	Pistion Group	2	MLH=3.0m
	Q050DL4-H3300-02	Pistion Group	2	MLH=3.3m
	Q050DL4-H5500	Pistion Group	2	MLH=3.5m
	Q050DL4-H3740-02	Pistion Group	2	MLH=3.7m
	Q050DL4-H3900-02	Pistion Group	2	MLH=3.9m
	Q050DL4-H6500	Pistion Group	2	MLH=4.1m
	Q050DL4-H4200-02	Pistion Group	2	MLH=4.2m
	Q050DL4-H7000	Pistion Group	2	MLH=4.5m
	Q050DL4-H5000-02	Pistion Group	2	MLH=5.0m
2	GCQ050DL4-05	Steel Tube	2	MLH≥3.7M
3	D20B8—42381	Ring	2	
4	GCQ050DL4-06	Wearing <u>50x10x2.5</u>	2	

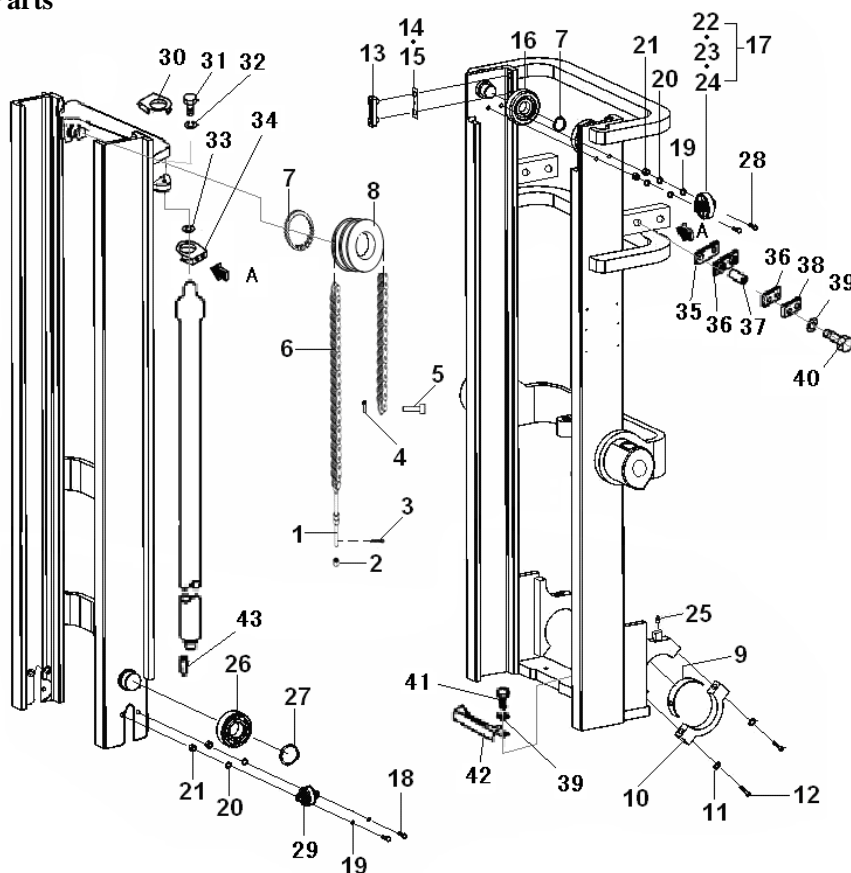
**DALIAN FORKLIFT CO.,LTD**

Item No.	Part No.	Part Description	Q'ty	Remark
5	GCQ050DL4-03	Piston	2	
6	23650-83531	Ring <u>50x40x3</u>	2	
7	23650-83521	Ring <u>50x40x6</u>	2	
8	GCQ055DL4.2-00	Valve ass'y	2	
9	GCQ055DL4-06	Washer	2	
10	GCQ055DL4-07	Steel Tube	2	
11	GCQ055DL4-08	Ring	2	
12	L59036-03010	Connector ass'y	1	
13	AR2342E5	Ring <u>40x52x7/10</u>	2	
14	23918-52161	Ring <u>40x50x6</u>	2	
15	GCQ050DL4-01	Guide sleeve	2	
16	Z6053-04972	O-Ring <u>d49.7x2.4</u>	2	
17	Z2113-04030	Bushing <u>4030</u>	2	
18	GB/T70	Bolt <u>M5x5</u>	2	
19	Q70BO-82141	Washer	2	
20	Q050DL-GT2000-2	Cylinder	2	MLH=2.0m
	Q050DL-GT4030	Cylinder	2	MLH=2.6m
	Q050DL-GT2700-2	Cylinder	2	MLH=2.7m
	Q050DL-GT3000-2	Cylinder	2	MLH=3.0m
	Q050DL-GT3300-2	Cylinder	2	MLH=3.3m
	Q050DL-GT5500	Cylinder	2	MLH=3.5m
	Q050DL-GT3740-2	Cylinder	2	MLH=3.7m
	Q050DL-GT3900-2	Cylinder	2	MLH=3.9m
	Q050DL-GT6500	Cylinder	2	MLH=4.1m
	Q050DL-GT4200-2	Cylinder	2	MLH=4.2m
	Q050DL-GT7000	Cylinder	2	MLH=4.5m
Q050DL-GT5000-2	Cylinder	2	MLH=5.0m	
21	DCS50/40.S-31	Connector	1	
22	DCS50/40.S-33	Slide valve	1	
23	GB1235	O-Ring <u>18x2.4</u>	1	
24	DCS50/40.S-32	Spring	1	
25	DCS50/40.S-34	Spring Pin	1	

## FORKLIFT PARTS CATALOGUE



### Mast Parts



Item No.	Part No.	Part Description	Q'ty	Remark
1	D94230-30971-2	Chain Fitting	2	
2	GB6171	Nut <u>M16×1.5</u>	6	
3	GB91	Pin <u>3.2×40</u>	2	
4	GB91	Pin <u>3.2×20</u>	4	
5	D94230-30971-1	Spindle	4	
6	GB/T6074	Chain( <u>73×19.05</u> )	2	MLH=2.0m
	GB/T6074	Chain( <u>87×19.05</u> )	2	MLH=2.6 m
	GB/T6074	Chain( <u>91×19.05</u> )	2	MLH=2.7 m
	GB/T6074	Chain( <u>99×19.05</u> )	2	MLH=3.0 m
	GB/T6074	Chain( <u>107×19.05</u> )	2	MLH=3.3 m
	GB/T6074	Chain( <u>113×19.05</u> )	2	MLH=3.5 m
	GB/T6074	Chain( <u>121×19.05</u> )	2	MLH=3.7 m
	GB/T6074	Chain( <u>131×19.05</u> )	2	MLH=3.9 m
	GB/T6074	Chain( <u>139×19.05</u> )	2	MLH=4.1 m
	GB/T6074	Chain( <u>141×19.05</u> )	2	MLH=4.2 m
	GB/T6074	Chain( <u>161×19.05</u> )	2	MLH=4.5 ~ 5 m

**DALIAN FORKLIFT CO.,LTD**

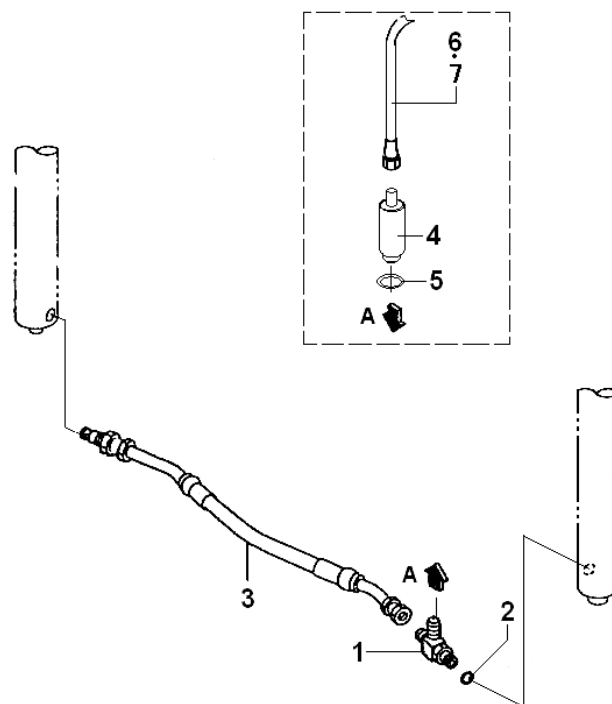
Item No.	Part No.	Part Description	Q'ty	Remark
7	GB894.1	Snap Ring <u>40</u>	4	
8	780708H	Sheave	2	
9	30X1000015	Bushing	2	
10	30XDB11FA11003	Cap, Mast support	2	
11	GB93	Washer spring <u>16</u>	4	
12	GB5785	Bolt <u>M16×1.5×65</u>	4	
13	L94111-08600	Slipper	2	
14	L94111-07400	Shim	2	
15	L94111-07500	Shim	2	
16	180708K	Axletree	2	
17	30X1400000	Roller, side I	2	
18	GB5786	Bolt <u>M12×1.25×40</u>	4	
19	GB93	Washer spring <u>12</u>	8	
20	30X1000013	Washer	8/G	
21	30XDB11FD00001	Mat, nubby	8	
22	80505K	Roller	2	
23	30X1400002	Spindle	2	
24	GB894.1	Snap ring <u>25</u>	2	
25	JB/T7940.1	Nipple,grease <u>M10×1</u>	2	
26	980811M-00	Roller,main <u>D=118.7</u>	8	SELECTIVE USE
	980811S-00	Roller,main <u>D=118.2</u>	8	
	980811L-00	Roller,main <u>D=119.7</u>	8	
27	GB894.1	Snap ring <u>55</u>	8	
28	GB5786	Bolt <u>M12×1.25×45</u>	4	
29	L4903	Side roller	2	
30	L94262-04601	Bracket,L	1	
31	GB5786	Bolt <u>M12×1.25×35</u>	2	
32	GB93	Washer spring <u>12</u>	2	

**FORKLIFT PARTS CATALOGUE**

Item No.	Part No.	Part Description	Q'ty	Remark
33	L94110-07700	Shim	4	
34	L94262-04701	Bracket,R	1	
35	L94110-09401	Shim	2	
36	L94110-09500	Cushion	4	
37	L94110-09600	Slipper	4	
38	L94110-09701	Seat	2	
39	GB93	Washer spring <u>10</u>	6	
40	GB5786	Bolt <u>M10×1.25×45</u>	4	
41	GB5786	Bolt <u>M10×1.25×20</u>	2	
42	L94011-00100	Board	1	
43	GB879.1	Pin <u>8×18</u>	2	



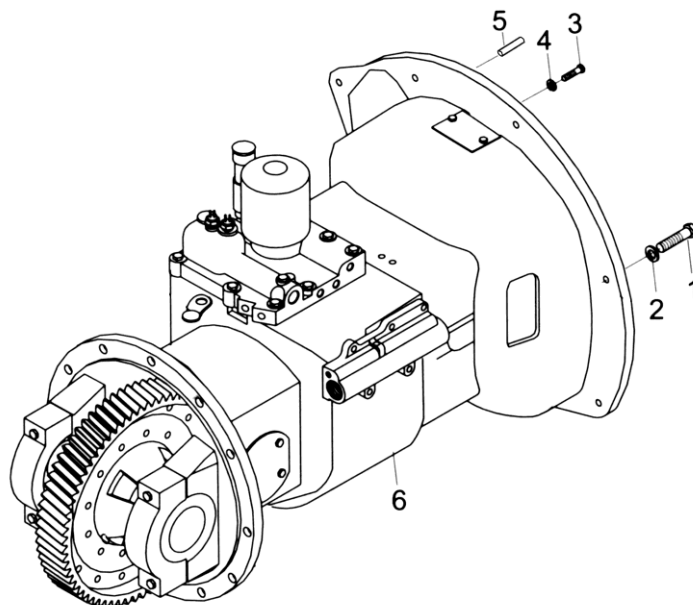
Mast Hydraulic



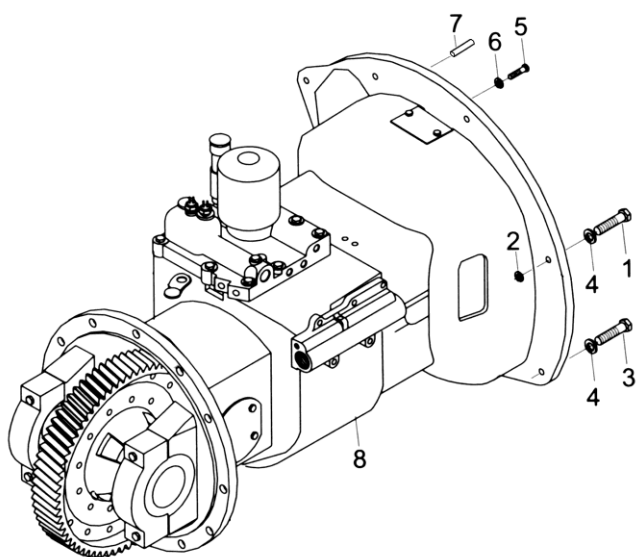
Item No.	Part No.	Part Description	Q'ty	Remark
1	20XDB72FA01000	Three way	1	
2	GB1235-76	O-Ring18×2.4	1	
3	L94211-09900	Hose, Rubber	1	
4	XSF-F16L-50α	Flow Regulator	1	
5	GB3452.1	O-Ring18×2.65	1	
6	JB1887	Hose13 II -590	1	
7	L05379-15055	Hose	1	



Drive System (Tor-con Type)



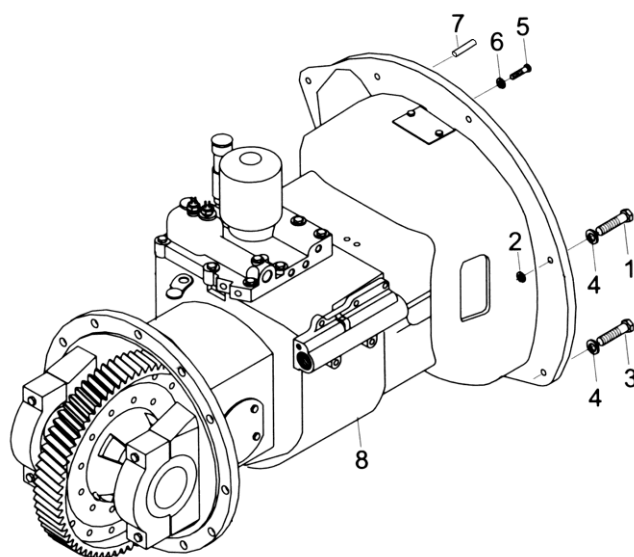
Item No.	Part No.	Part Description	Q'ty	Remark
1	GB5783	Bolt <u>M10×35</u>	9	①②
2	GB93	Spring Washer <u>10</u>	9	①②
3	GB5783	Bolt <u>M8×20</u>	6	①②
4	GB93	Spring Washer <u>8</u>	6	①②
5	GB119.2	Pin <u>6×16</u>	3	①②
6	YQX25A	Drive Unit	1	CD-CB CD-DB
6	YQXD25A	Drive Unit	1	CD-EB
6	YQXD25	Drive Unit	1	CD-FB



Item No.	Part No.	Part Description	Q'ty	Remark
1	GB5783	Bolt <u>M10×45</u>	1	⑤⑥
2	GB6170	Nut <u>M10</u>	1	⑤⑥
3	GB5786	Bolt <u>M10×1.25×35</u>	7	⑤⑥
4	GB93	Spring Washer <u>10</u>	8	⑤⑥
5	GB5783	Bolt <u>M8×20</u>	12	⑤⑥
6	GB93	Spring Washer <u>8</u>	12	⑤⑥
7	GB119.2	Pin <u>12×24</u>	2	⑤⑥
8	YQXD25	Drive Unit	1	⑤⑥



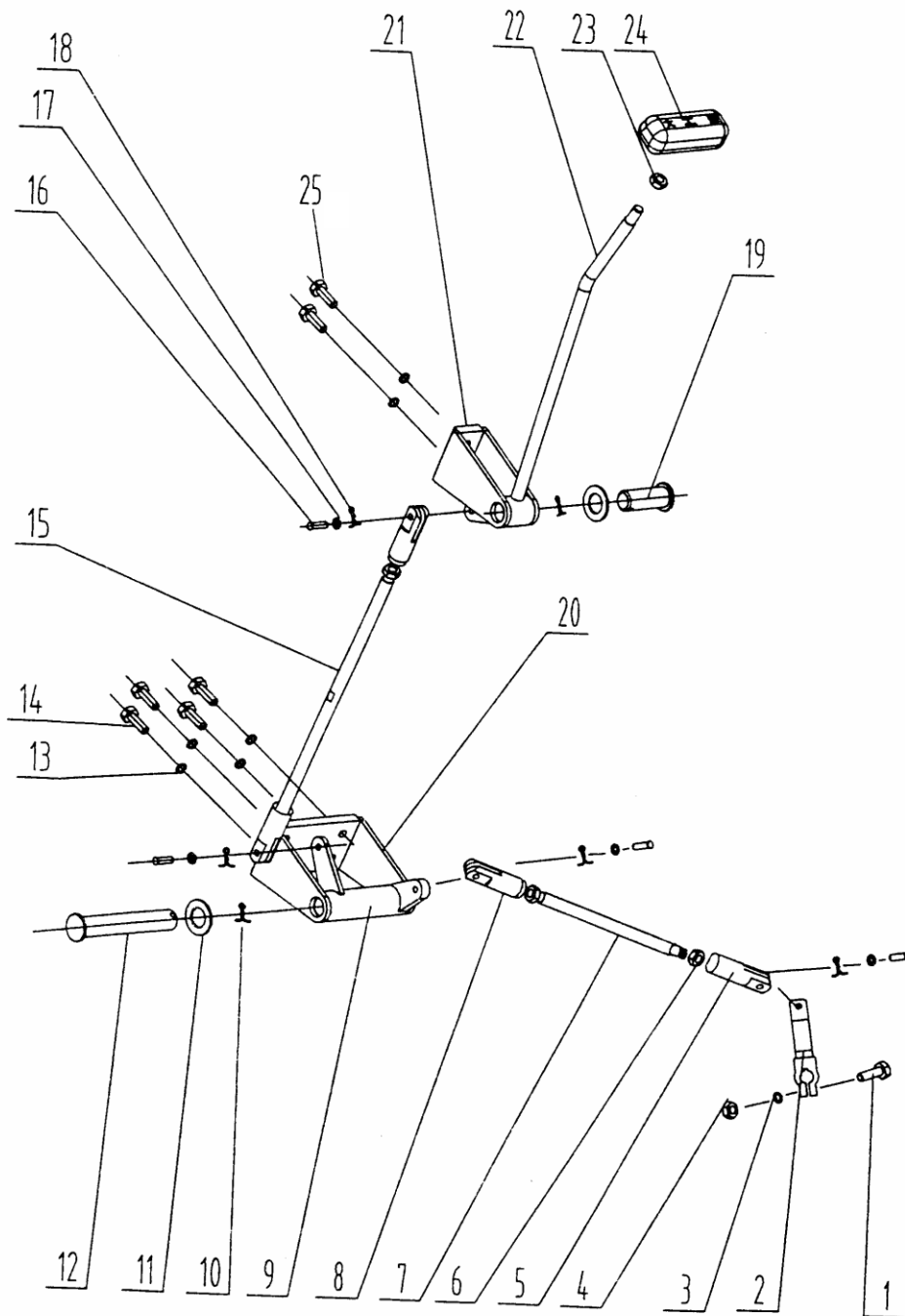
## FORKLIFT PARTS CATALOGUE



Item No.	Part No.	Part Description	Q'ty	Remark
1	GB5783	Bolt <u>M10×45</u>	7	④
2	GB6170	Nut <u>M10</u>	7	④
3	GB5786	Bolt <u>M10×35</u>	2	④
4	GB93	Spring Washer <u>10</u>	9	④
5	GB5783	Bolt <u>M8×20</u>	6	④
6	GB93	Spring Washer <u>8</u>	6	④
7	GB119.2	Pin <u>6×16</u>	3	④
8	YQXD25C	Drive Unit	1	④

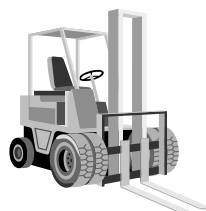


Transmission System

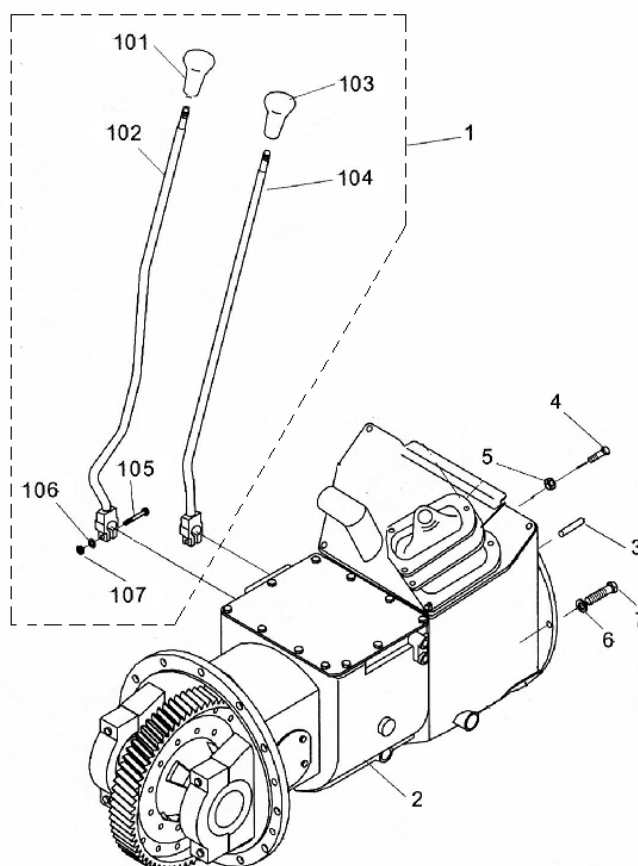


**FORKLIFT PARTS CATALOGUE**

Item No.	Part No.	Part Description	Q'ty	Remark
1	GB5783	Bolt <u>M8×35</u>	1	CD-DB CD-CB
2	30XDB6510000	Linkage	1	CD-DB CD-CB
3	GB93	Washer <u>8</u>	7	CD-DB CD-CB
4	GB6170	Nut <u>M8</u>	1	CD-DB CD-CB
5	30XDB6500001	Cap	2	CD-DB CD-CB
6	A847.23.1.2-6	Nut	2	CD-DB CD-CB
7	30XDB6500002	Adjust rod	1	CD-DB CD-CB
8	30XDB6500003	Cap	2	CD-DB CD-CB
9	30XDB6520000	Connect rocker	1	CD-DB CD-CB
10	GB91	Pin <u>5×30</u>	2	CD-DB CD-CB
11	GB97.1	Washer <u>20</u>	1	CD-DB CD-CB
12	30XDB6500004	Pin	1	CD-DB CD-CB
13	GB97.1	Washer <u>8</u>	6	CD-DB CD-CB
14	GB5783	Bolt <u>M8×25</u>	4	CD-DB CD-CB
15	30XDB6500005	Adjust rod II	1	CD-DB CD-CB
16	GB882	Pin <u>B6×20</u>	4	CD-DB CD-CB
17	GB97.1	Washer <u>6</u>	4	CD-DB CD-CB
18	GB91	Pin <u>2×14</u>	4	CD-DB CD-CB
19	GB882	Pin <u>B20×50</u>	1	CD-DB CD-CB
20	30XDB6500006	Support,shaft I	1	CD-DB CD-CB
21	30XDB6530000	Support,shaft II	1	CD-DB CD-CB
22	30XDB6540000	Control,lever	1	CD-DB CD-CB
23	GB6172.1	Nut <u>M10</u>	3	CD-DB CD-CB
24	30V6550000	Hand,lever	1	CD-DB CD-CB
25	GB5783	Bolt <u>M8×20</u>	2	CD-DB CD-CB



Drive System (Clutch Type)



Item No.	Part No.	Part Description	Q'ty	Remark
1	30W6500000	Transmission Lever	1	③
101	30CJA13-00200	Knob, Speed	1	③
102	30W6510000	Lever, Speed	1	③
103	30CJA13-00100	Knob, Direction	1	③
104	30W6520000	Lever, Direction	1	③
105	GB5782	Bolt <u>M8×35</u>	2	③
106	GB859	Spring Washer <u>8</u>	2	③
107	GB6170	Nut <u>M8</u>	2	③
2	JDS25 II	Drive Unit	1	③
3	GB119.2	Pin <u>6×16</u>	3	③
4	GB5783	Bolt <u>M8×20</u>	6	③
5	GB93	Spring Washer <u>8</u>	6	③
6	GB5783	Bolt <u>M10×35</u>	9	③
7	GB93	Spring Washer <u>10</u>	9	③



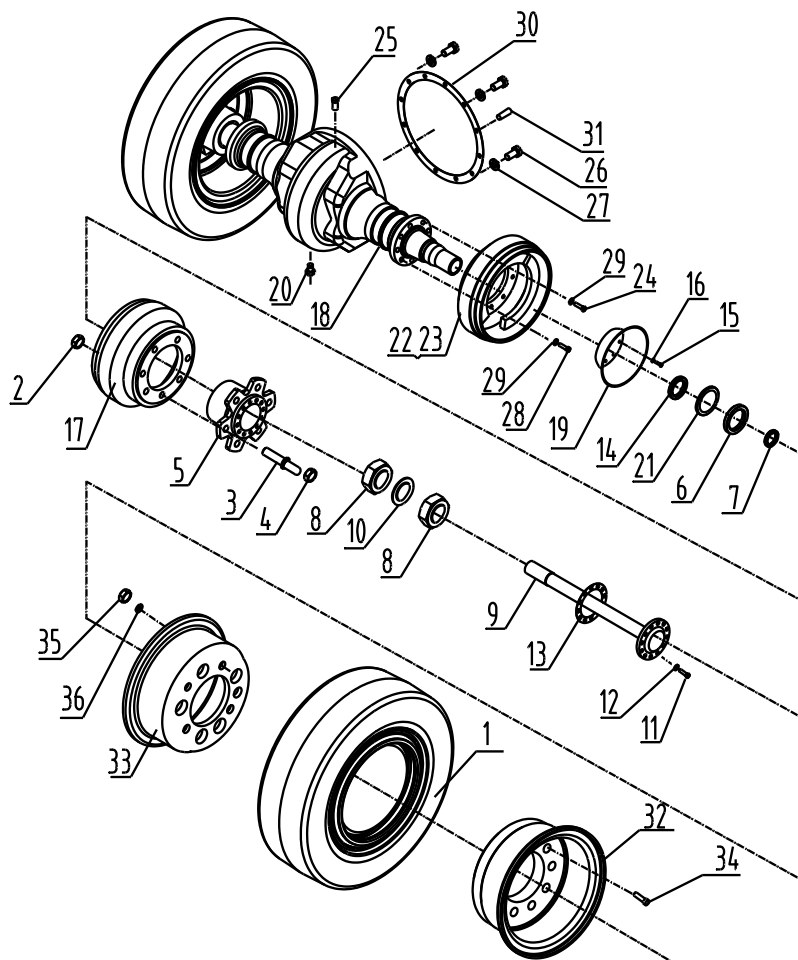
**Drive Axle**

### DRIVE AXLE

In this chapter, you can see two kinds of Drive Axle and the Parts Manual of their each .You need to know the type of the drive axle on your forklift truck, before reading this chapter. If there is a label marks the letters “安庆车桥厂” on the axle body ,it is made of ANQING AXLE FACTORY .So you can read the part 2. And if there is no label on the axle body, it is made of DALIAN FORKLIFT CO.,LTD. So you can read the part 1. To avoid mistake, when ordering parts, give the DALIAN forklift trucks dealer or distributor the serial number of the forklift truck .Beg your pardon for the discomfort with it !



Drive Axle



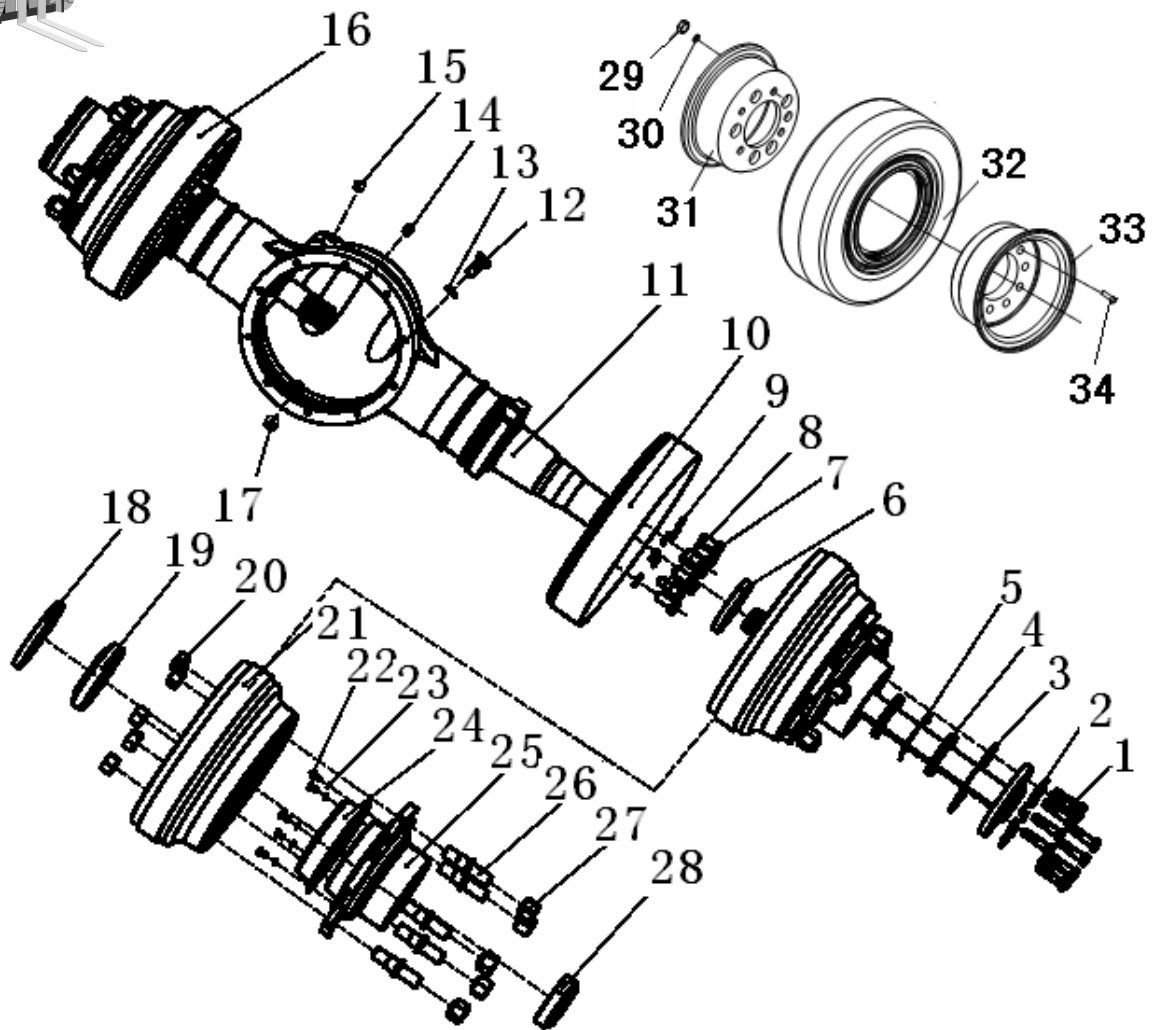
Item No.	Part No.	Part Description	Q'ty	Remark
1	GB2982	Tire7.00-12-12PR	2	
2	GB6171	Nut M20×1.5	10	
3	20X2100001	Bolt	10	
4	20X2100002	Nut Hub	10	
5	20X2100003	Hub,Front	2	
6	GB297	Roll Bearing7214E	2	
7	GB297	Roll Bearing2007112E	2	
8	GB810	Nut M60×2	4	
9	20X2100004	Shaft,Drive	2	
10	GB858	Washer60	2	

**FORKLIFT PARTS CATALOGUE**

Item No.	Part No.	Part Description	Q'ty	Remark
11	30X2100006	Bolt	24	
12	GB93	Spring Washer <u>12</u>	24	
13	30X2100009	Shim	2	
14	30X2100010	Retainer	2	
15	GB67	Screw <u>M6×12</u>	10	
16	GB93	Spring Washer <u>6</u>	10	
17	20X2100005	Drum,Brake	2	
18	20X2100006	Housing Axle	1	
19	20X2100007	Oil Wheel	2	
20	JB/ZQ4446	Plug Hole <u>R1/2</u>	2	
21	HG4-692-67	Oil Seal <u>SD100×130×12</u>	2	
22	REF000560(左)	Wheel Brake (L)	1	
23	REF000560(右)	Wheel Brake (R)	1	
24	20X2100008	Bolt	4	
25	100X2160000	Vent-Set	1	
26	GB5786	Bolt <u>M10×1.25×35</u>	10	
27	GB93	Spring Washer <u>10</u>	10	
28	30X2100011	Bolt	12	
29	GB93	Spring Washer <u>14</u>	16	
30	20X2100009	Seal Cushion	1	
31	GB119	Pin <u>B8×26</u>	1	
32	20W2110001	Rim(Outside)	2	
33	20W2110004	Rim(Inside)	2	
34	L91439-02900	Bolt,Rim	10	
35	GB6173	Nut <u>M16×1.5</u>	10	
36	GB93	Spring Washer <u>16</u>	10	



Drive Axle ( An Qing)



Item No.	Part No.	Part Description	Q'ty	Remark
1	A20A3-03061	Bolt	24	
2	GB93	Spring Washer <sub>12</sub>	24	
3	20X2100004	Shaft,Drive	2	
4	GB810	Nut <u>M60×2</u>	4	
5	GB858	Washer <sub>60</sub>	2	
6	30X2100010	Retainer	2	
7	A22A3-02051	Bolt <u>M14×1. 5×30</u>	12	
8	GB27	Bolt <u>M14×1. 5×38</u>	4	
9	GB93	Spring Washer <sub>14</sub>	16	
10	REF000560(R)	Wheel Brake (R)	1	

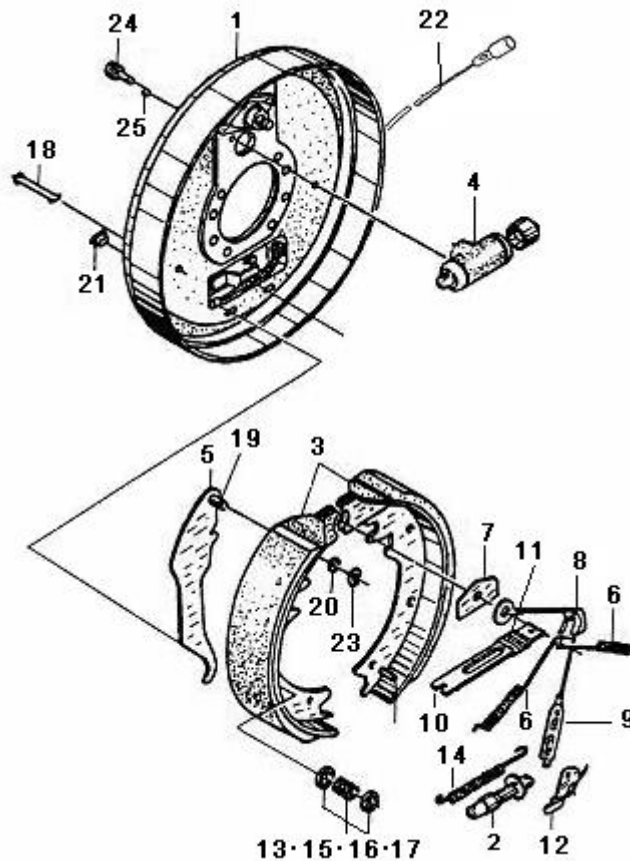


**FORKLIFT PARTS CATALOGUE**

Item No.	Part No.	Part Description	Q'ty	Remark
11	20X2100006	Housing Axle	1	
12	GB5786	Bolt <u>M10×1.25×35</u>	10	
13	GB93	Spring Washer <u>10</u>	10	
14	GB119	Pin <u>B8×26</u>	1	
15	22253-02061	Vent-Set	1	
16	REF000560(左)	Wheel Brake (L)	1	
17	JB/ZQ4446	Plug Hole <u>R1/2</u>	2	
18	HG4-692-67	Oil Seal <u>SD100×130×12</u>	2	
19	GB297	Roll Bearing <u>30214</u>	2	
20	GB6171	Nut <u>M20×1.5</u>	10	
21	20X2100005	Drum,Brake	2	
22	GB67	Screw <u>M6×12</u>	10	
23	GB93	Spring Washer <u>6</u>	10	
24	20X2100007	Oil Wheel	2	
25	20X2100003	Hub,Front	2	
26	20X2100001	Bolt	10	
27	20X2100002	Nut Hub	10	
28	GB297	Roll Bearing <u>32012</u>	2	
29	GB6173	Nut <u>M16×1.5</u>	10	
30	GB93	Spring Washer <u>16</u>	10	
31	20W2110004	Rim(Inside)	2	
32	GB2982	Tire <u>7.00-12-12PR</u>	2	
33	20W2110001	Rim(Outside)	2	
33	L91439-02900	Bolt,Rim	10	



Wheel Brake



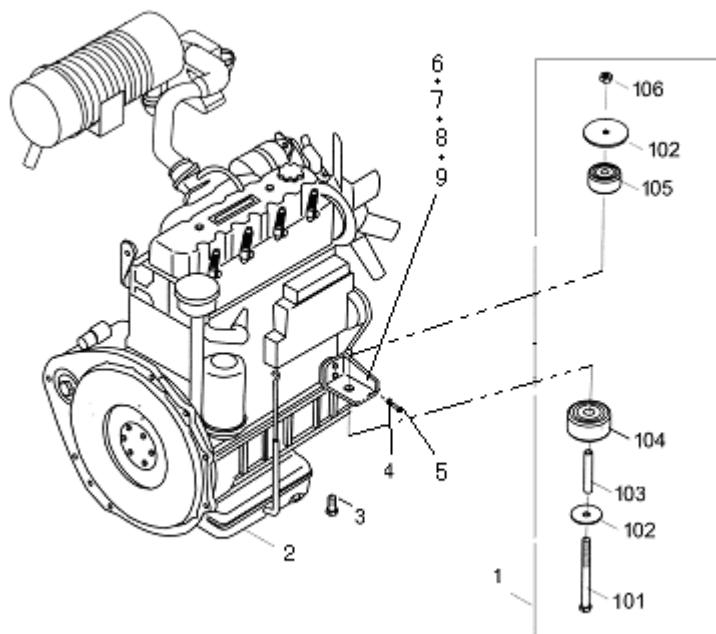
Item No.	Part No.	Part Description	Q'ty	Remark
1	23653-73011	Back Plate	2	
2	23653-72041	Clearance Adjuster	2	
3	23653-73021	Shoe Block	4	
4	22673-72041	Wheel Cylinder Assy	2	
5	23653-72071C	Lever Parking	2	
6	23673-72261	Spring	4	
7	23653-72131	Shim	2	
8	23653-72161	Mandril	2	
9	2353-72171	Spring	2	
10	23653-72081	Strut	2	

**FORKLIFT PARTS CATALOGUE**

<b>Item No.</b>	<b>Part No.</b>	<b>Part Description</b>	<b>Q'ty</b>	<b>Remark</b>
11	23673-72391	Spring	2	
12	23653-72151	Lever,Adjustive	2	
13	23653-72191	Seat,Spring	6	
14	23653-72051	Spring	2	
15	23653-72111	Cover,Spring	8	
16	23653-72091	Spring	8	
17	23653-72121	Seat,Spring-1	8	
18	23653-72101	Lever,Spring	8	
19	22673-72231	Pin,Lever	2	
20	22673-72251	Shim	2	
21	22673-72321	Plug,Rubber	2	
22	OC11246-14603	Tightwire Brake(L)	1	
22	OC11246-24603	Tightwire Brake(R)	1	
23	GB93	Spring Washer8	4	
24	GB5782	Bolt M8×16	4	
25	24433-70160G	Spring Washer	2	



Engine



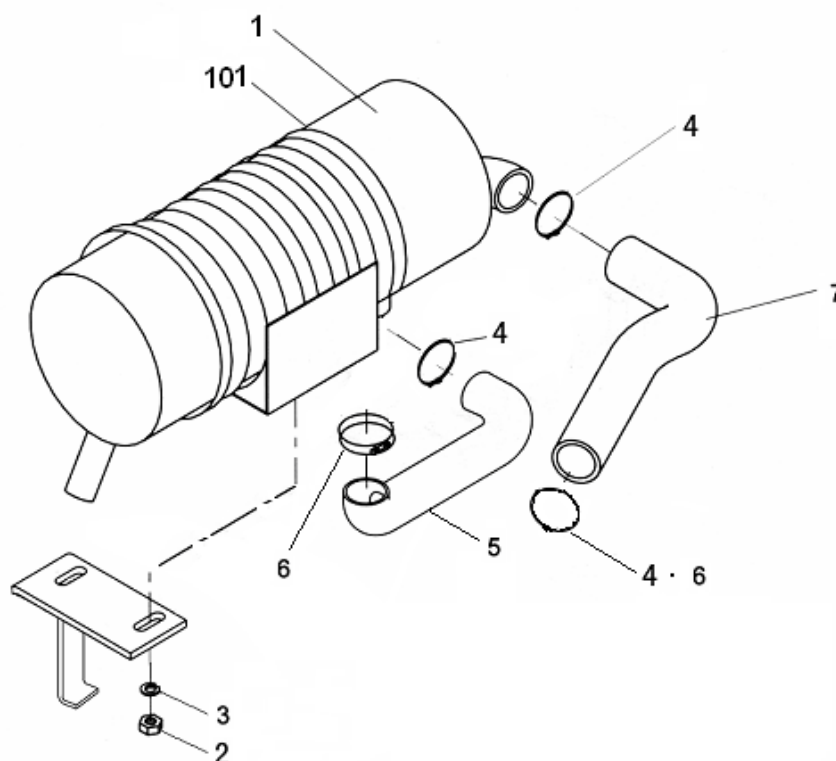
Item No.	Part No.	Part Description	Q'ty	Remark
1	30WBA9100000	Support, Engine	2	
101	GB5785	Bolt <u>M12×1.5×90</u>	2	
102	30WBA9100001	Plate	2	
103	30WBA9100004	Steel Tube	2	
104	30WBA9100003	Rubber	2	
105	30WBA9100002	Rubber	2	
106	GB889	Nut <u>M12×1.5</u>	2	
2	4TNE92-HRJ	Engine	1	⑥
2	C490BPG-269	Engine	1	CD-DB C-BB
2	A490 BPG-50A	Engine	1	CD-EB

**FORKLIFT PARTS CATALOGUE**

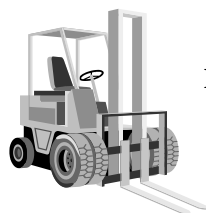
<b>Item No.</b>	<b>Part No.</b>	<b>Part Description</b>	<b>Q'ty</b>	<b>Remark</b>
2	A490 BPG-50	Engine	1	CD-CB C-CB
2	K25	Engine	1	④
2	C240PKJ	Engine	1	②
2	4JG2PE	Engine	1	⑤
3	DTFSF-R1/4	Valve, Water	1	②④⑤
4	GB93	Washer <sub>10</sub>	12	⑥
5	GB5783	Bolt <u>M10×25</u>	12	⑥
6	40XFB3110000	Left bracket	1	⑥
7	40XFB3120000	Right bracket	1	⑥
8	20VFB3110000	Left bracket	1	④
9	20VFB3120000	Right bracket	1	④



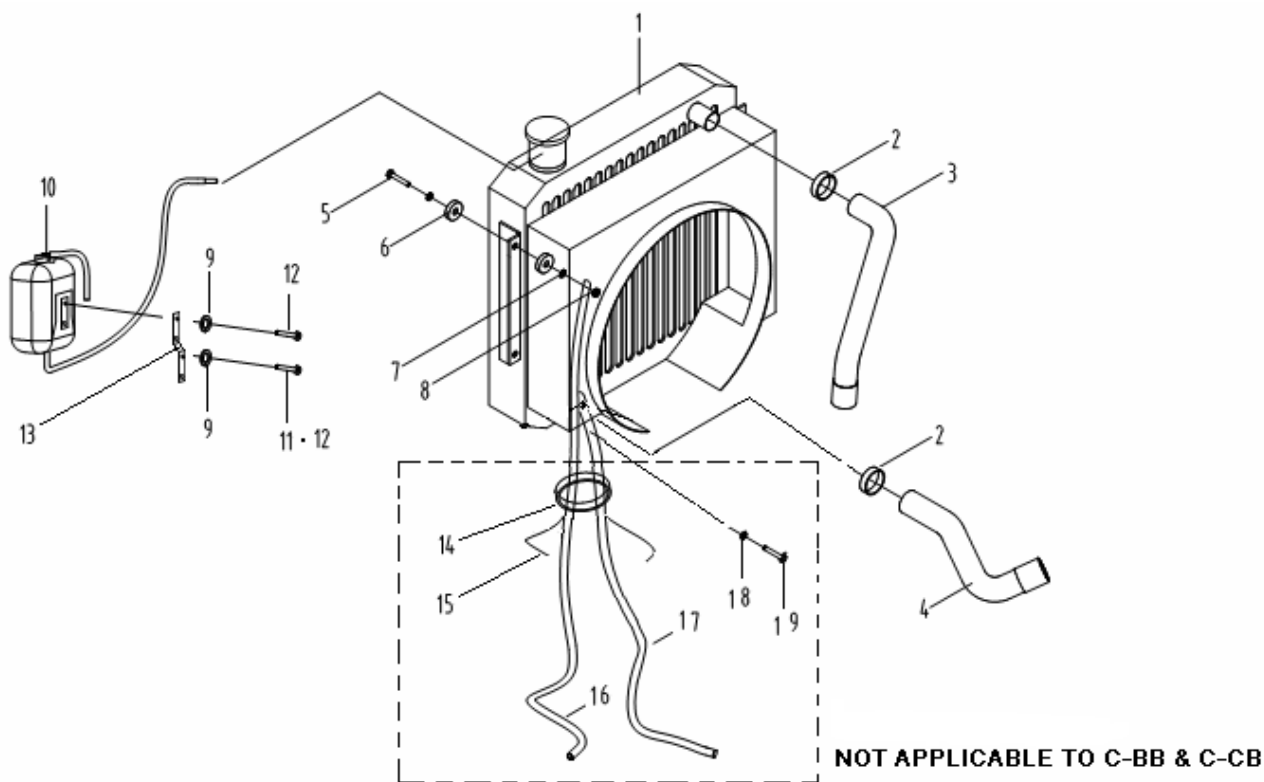
Air Cleaner Ass'y



Item No.	Part No.	Part Description	Q'ty	Remark
1	KW1122A	Air Cleaner	1	
101	KW1122A-01000	Mandril	1	
2	GB6170	Nut <u>M8</u>	2	
3	GB93	Washer <u>8</u>	2	
4	JB/ZQ3777	Clip <u>60-80</u>	3	
5	20XDB3400001	Hose	1	
6	JB/ZQ3777	Clip <u>55-70</u>	2	
7	20XDB3400002A	Duct	1	①③
7	30V3400002	Duct	1	④
7	20XFB3400001	Duct	1	②
7	20XRB3400001	Duct	1	⑤
7	20XSB3400001	Duct	1	⑥



Radiator System



Item No.	Part No.	Part Description	Q'ty	Remark
1	20XFB3310000	RADIATOR	1	②
1	30XFA3310000	RADIATOR	1	⑤⑥
1	20XDB3310000	RADIATOR	1	①
1	20WCB3310000	RADIATOR	1	③
1	20VFB3310000	RADIATOR	1	④
2	JB/ZQ3777	CLIP, HOSE <u>35-50</u>	4	
3	30XDA3300001A	HOSE, UPPER	1	①③
3	30X3300001	HOSE, UPPER	1	②
3	30XFA3300001	HOSE, UPPER	1	⑤

**DALIAN FORKLIFT CO.,LTD**

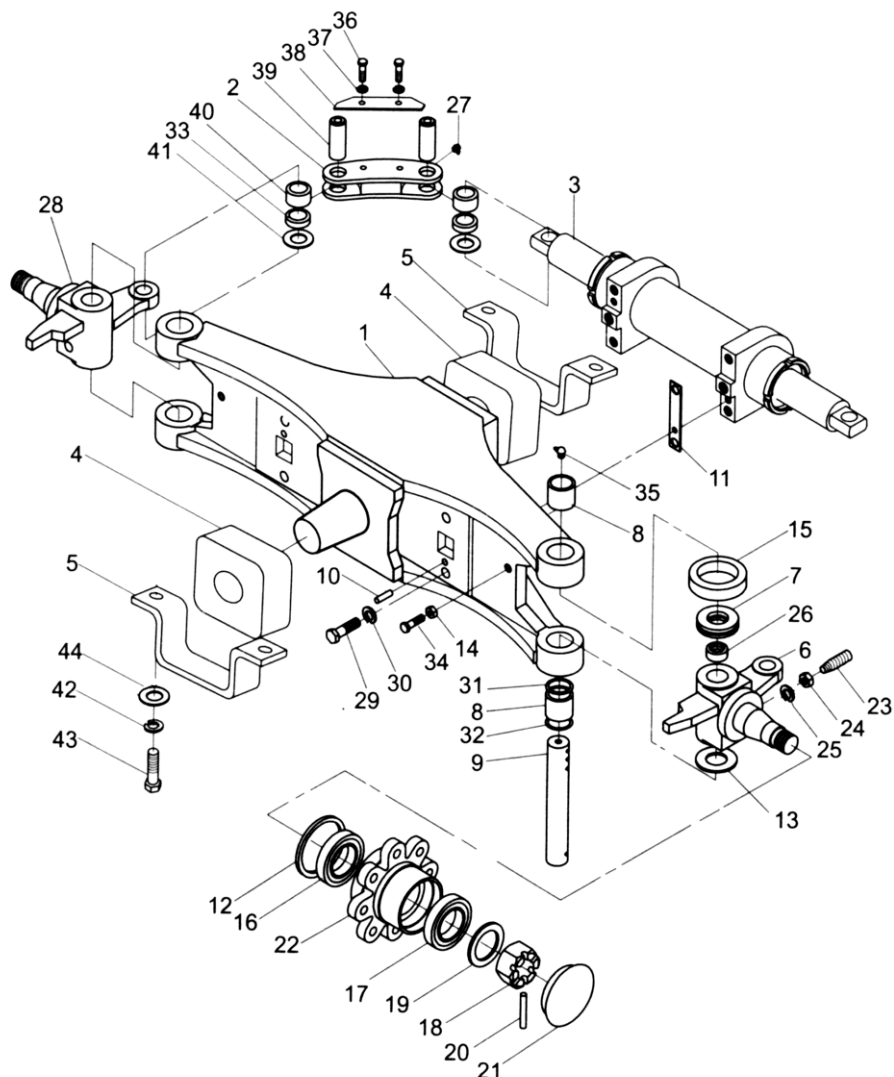
Item No.	Part No.	Part Description	Q'ty	Remark
3	30V3300002	Hose, Upper	1	④
3	20XSB3300001	Hose, Upper	1	⑥
4	30XDA3300003	Hose, Lower	1	①③
4	30X3300002	Hose, Lower	1	②
4	30XFA3300002	Hose, Lower	1	⑤
4	30V3300001	Hose, Lower	1	④
4	20XSB3300002	Hose, Lower	1	⑥
5	GB5783	Bolt <u>M8×35</u>	4	
6	30112-0002	Cushion, Rubber	8	
7	GB97.1	Washer <u>8</u>	8	
8	GB6170	Nut <u>M8</u>	4	
9	GB93	Washer <u>6</u>	6	
10	H24C2-10201	Water Tank	1	SELECTIVE
11	GB5781	Bolt <u>M6×20</u>	2	
12	GB5781	Bolt <u>M6×12</u>	6	
13	20XDB3300001	Bracket, Water Tank	1	SELECTIVE
14	30X7000014	Clip	4	
15	ZD150×8	Band	5	
16	D8 I -Q/Q-1900	Hose	1	①②⑤⑥
16	D8 I -Q/Q-1400	Hose	1	④
17	D8 I -Q/Q-2100	Hose	1	①②⑤⑥
17	D8 I -Q/Q-1250	Hose	1	④
18	JB982	Washer <u>14</u>	8	
19	30X3300004	Bolt	4	



## FORKLIFT PARTS CATALOGUE



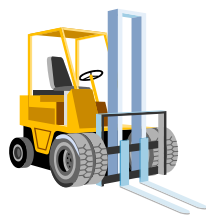
### Steering Axle



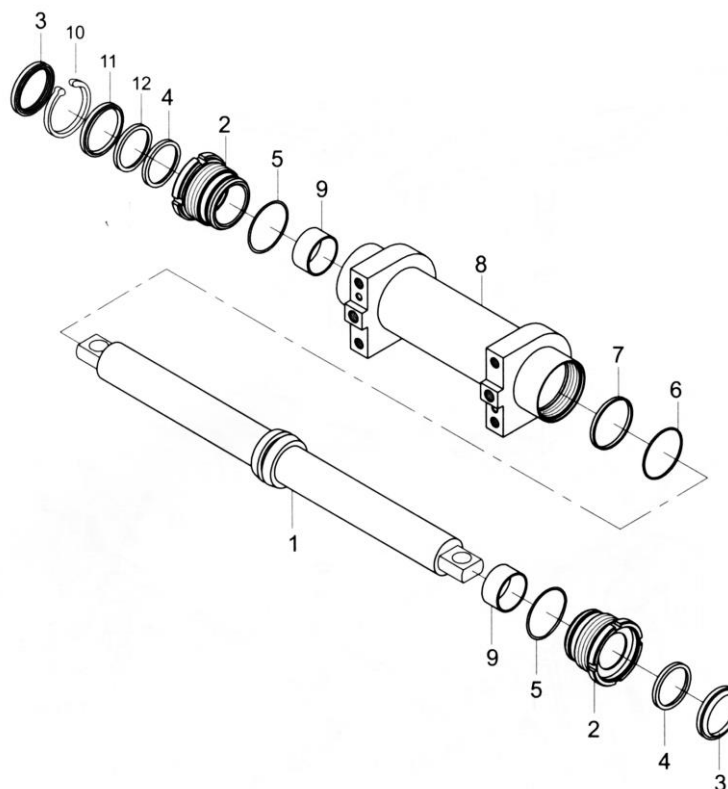
Item No.	Part No.	Part Description	Q'ty	Remark
1	H24N4-30302C	Axle Ass' y	1	
2	A21B4-32081	Link	2	
3	H24C4-50402S	Power Cylinder Ass' y	1	
4	H24N4-32451	Rubber	2	
5	30XDB0000001	Bracket	2	
6	H24C4-32181	Knuckle R. H. Ass' y	1	
7	Z-8208	Bearing	2	
8	Z-943/32	Bearing	4	
9	A21B4-32221	Pin, King	2	
10	B3120-10020	Pin	2	
11	A21B4-32251	Shim	4	

**DALIAN FORKLIFT CO.,LTD**

Item No.	Part No.	Part Description	Q'ty	Remark
12	Z6301-08524	Seal, Oil	2	
13	22214-30321	Shim	2	
14	B4313-00012	Nut	2	
15	A21B4-12002	Cap	2	
16	Z-32211	Bearing	2	
17	Z-32207	Bearing	2	
18	A21B4-32311	Nut	2	
19	B5310-00030	Washer	2	
20	B3010-6P360	Pin	2	
21	A21B4-32231	Cap	2	
22	A21B4-32241	Hub	2	
23	G27Z4-32011	Pin	2	
24	B4313-00012	Nut	2	
25	B5050-00012	Washer <u>12</u>	2	
26	A21B4-12001	Bushing	2	
27	Q700B06	Fitting Grease	4	
28	H24C4-32171	Knuckle L. H. Ass' y	1	
29	B0330-14040	Bolt	4	
30	B5050-00014	Washer	4	
31	23654-32161	O-Ring	2	
32	23654-32081	Seal, Oil	4	
33	H24C4-12003	Bushing	4	
34	B0330-12030	Bolt	2	
35	Q701B90	Fitting Grease	4	
36	B0110-08016	Bolt	4	
37	B5050-00008	Washer <u>8</u>	4	
38	A21B4-32300	Baffle	2	
39	A21B4-32261A	Pin	4	
40	H24C4-32061	Bearing	4	
41	A21B4-32281	Shim	4	
42	GB93	Spring Washer <u>16</u>	4	
43	GB5786	Bolt <u>M16 × 1.5 × 35</u>	4	
44	GB97.1	Washer <u>16</u>	4	



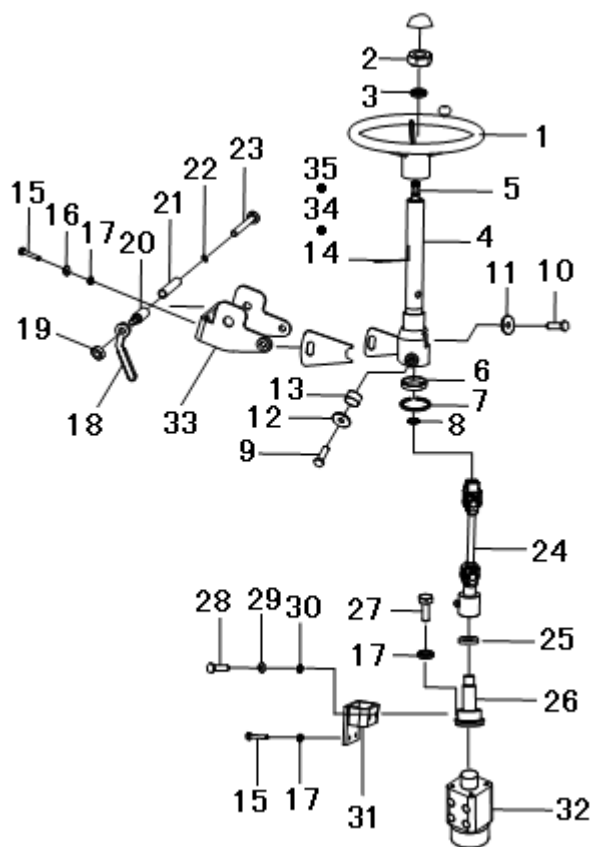
**Steering Cylinder**



Item No.	Part No.	Part Description	Q'ty	Remark
1	H24C4-52113	Piston rod ass'y	1	
2	H24C4-52103	Cap	2	
3	24329-45581	Seal, dust	2	
4	Z6162-05008	U-ring <u>50×60×8</u>	2	
5	GB3452.1-92	O-ring <u>63×3.55</u>	2	
6	GB3452.1-92	O-ring <u>63×3.55</u>	1	
7	H24C4-52171	Seal, slipper	1	
8	H24C4-52142	Body, power steering	1	
9	23460-53171	Bearing <u>5030</u>	2	
10	GB893.1-86	Snap ring <u>72</u>	2	
11	H24C4-53101	Ring	2	
12	22658-52301	Snap shim <u>50×60×3</u>	2	



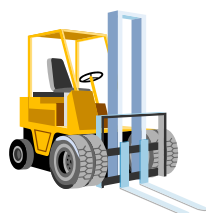
Steering System



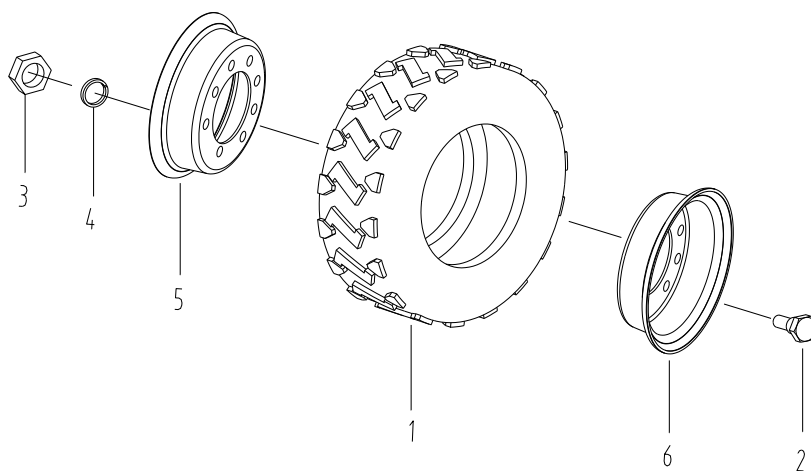
Item No.	Part No.	Part Description	Q'ty	Remark
1	DC3CYC35-10000	Handle Wheel	1	
2	GB6173	Nut <u>M14×1.5</u>	1	
3	GB93	Washer <u>14</u>	1	
4	DL3404010A	Column	1	
5	DL3404011A	Shaft, Steering	1	
6	GB276	Bearing <u>6202</u>	1	
7	J3401807-00	Ring, Snap	1	
8	GB893.1	Ring, Snap <u>35</u>	1	
9	30V42B00001	Bolt	2	
10	GB5781	Bolt <u>M8×25</u>	1	
11	GB93	Washer <u>8</u>	1	

**FORKLIFT PARTS CATALOGUE**

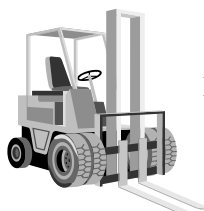
<b>Item No.</b>	<b>Part No.</b>	<b>Part Description</b>	<b>Q'ty</b>	<b>Remark</b>
12	GB93	Washer <u>16</u>	2	
13	30X4200007	Bushing	2	
14	DL3404013A	Wire Clamp	1	
15	GB5783	Bolt <u>M10×25</u>	8	
16	GB97.1	Washer <u>10</u>	4	
17	GB93	Washer <u>12</u>	8	
18	30V42B30000	Handle System	1	
19	GB6170	Nut <u>M14</u>	1	
20	30V42B00002	Lock Cylinder	1	
21	30V42B00003	Steel Pipe <u>22×3.5-91</u>	1	
22	GB97.1	Washer <u>14</u>	1	
23	30V42B00004	Bolt	1	
24	DL3404020A	Drive, Steering	1	
25	30V42B00008	Dust Proof Washer	1	
26	720-1106	Shaft, Steering	1	
27	GB5782	Bolt <u>M10×45</u>	4	
28	GB5786	Bolt <u>M12×125×25</u>	2	
29	GB97.1	Washer <u>12</u>	2	
30	GB93	Washer <u>12</u>	2	
31	30V42B40000	Hydraulic Bracket	1	
32	532-1324	Full Hydraulic Steering	1	
33	30V42B50000	Bracket	1	
34	DJ3011A-4-A	Plug	1	
35	30X4212100	Line	1	



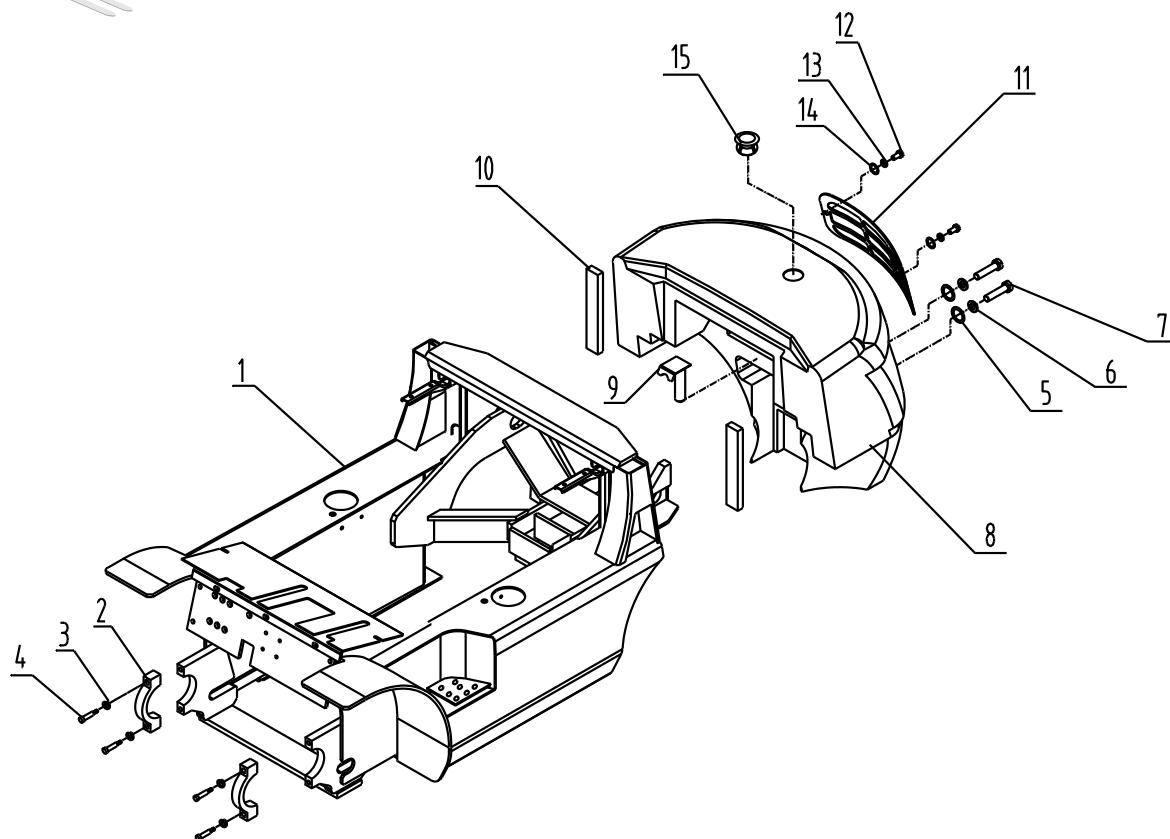
Steering Wheel



Item No.	Part No.	Part Description	Q`ty	Remark
1	6.00-9-10PR	Tire	2	
2	L91239-03300	Bolt	16	
3	GB6171	Nut <u>M12×1.25</u>	16	
4	GB93	Washer <u>12</u>	16	
5	20X4500001	Rear rim, outside	2	
6	20X4500002	Rear rim, inside	2	



**Frame and Counter Weight**



Item No.	Part No.	Part Description	Q'ty	Remark
1	20XDB5100000	Frame	1	①③
1	20VFB5100000	Frame	1	④
1	20XFB5100000	Frame	1	②
1	20XRB5100000	Frame	1	⑤
1	20XSB5100000	Frame	1	⑥
2	30X1000014	Cap front axle support	2	
3	GB93	Washer <u>16</u>	8	
4	GB5785	Bolt <u>M16×1.5×65</u>	4	
5	L91212-09800	Washer	4	
6	GB93	Washer <u>20</u>	2	

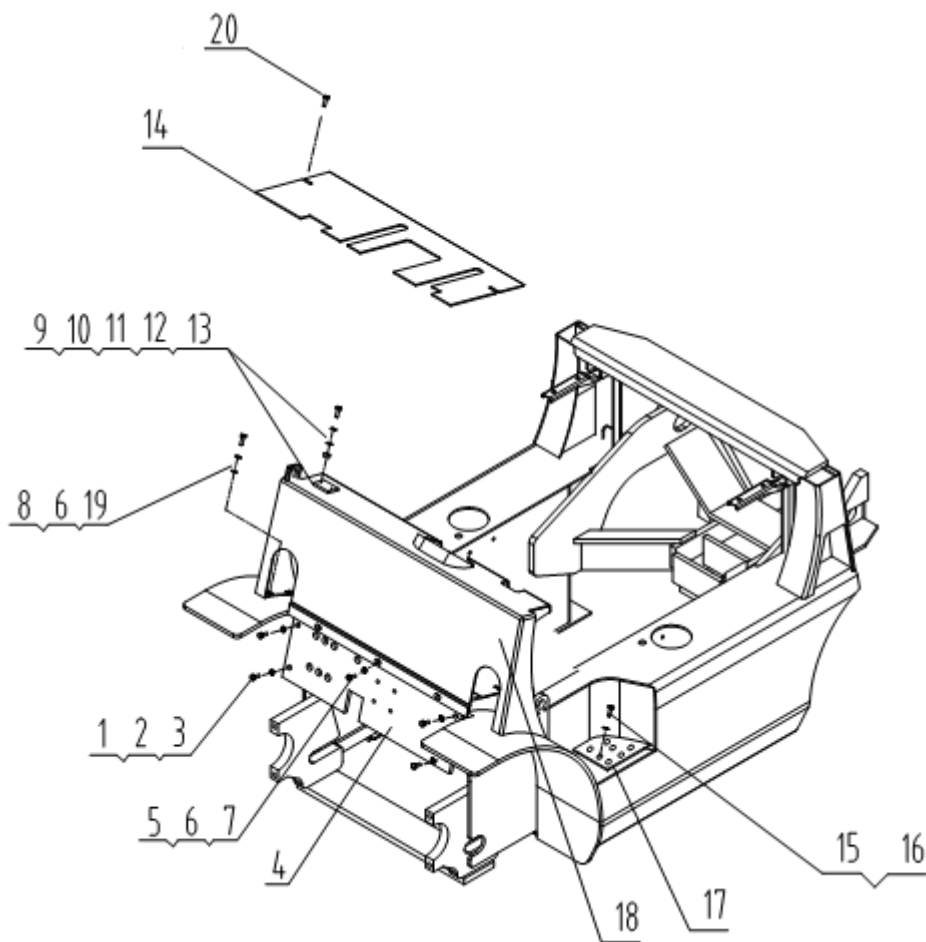
**DALIAN FORKLIFT CO.,LTD**

<b>Item No.</b>	<b>Part No.</b>	<b>Part Description</b>	<b>Q`ty</b>	<b>Remark</b>
7	GB5782	Bolt <u>M20×130</u>	2	
8	20XDB5900000	Equalizer	2	CPCD20 CPQD20
8	25XDB5900000	Equalizer	2	CPCD25 CPQD25
9	20XDB5910000	Pin, Draw	1	
10	L91213-25700	Underlays	2	
11	20XDB5900003	Board, Grid	1	
12	GB5783	Bolt <u>M10×20</u>	2	
13	GB93	Washer <u>10</u>	2	
14	GB97.1	Washer <u>10</u>	2	
15	20XDB5900004	Close over	1	





Instrument Assy



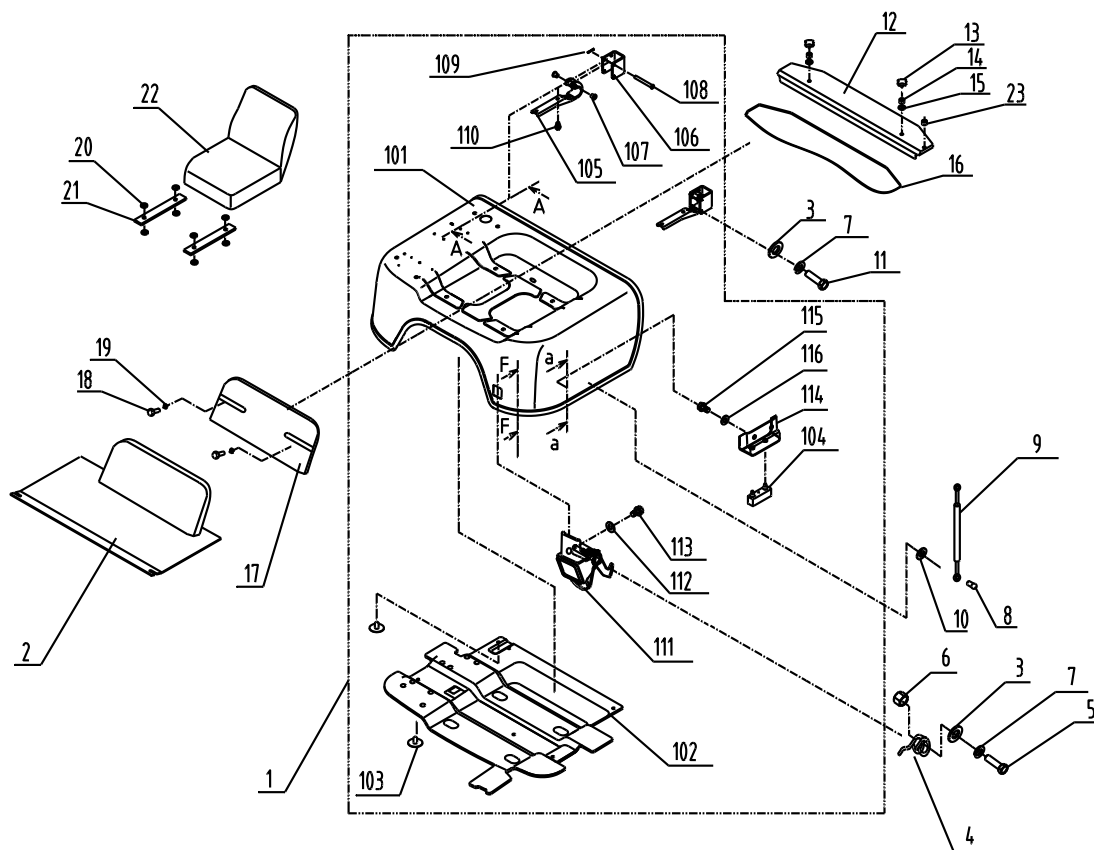
Item No.	Part No.	Part Description	Q'ty	Remark
1	GB5783	Bolt <u>M12×30</u>	4	
2	GB93	Spring Washer <u>12</u>	4	
3	GB97.1	Washer <u>12</u>	4	
4	20XDB5200001	Plate,Front	1	
5	GB5783	Bolt <u>M8×20</u>	3	
6	GB93	Spring Washer <u>8</u>	7	

**DALIAN FORKLIFT CO.,LTD**

Item No.	Part No.	Part Description	Q'ty	Remark
7	30XDB5200004	Washer	3	
8	GB5783	Bolt <u>M8×25</u>	4	
9	GB97.1	Washer <u>5</u>	2	
10	GB93	Spring Washer <u>5</u>	2	
11	GB6170	Nut <u>M5</u>	2	
12	GB67	Screw <u>M5×20</u>	2	
13	H24C6-42072	Workbox	1	
14	20XDB5220000	Floor Board,Front	1	①②⑤⑥
14	20WCB5220000	Floor Board,Front	1	③
14	20VFB5220000	Floor Board,Front	1	④
15	GB5783	Bolt <u>M8×12</u>	8	
16	GB97.1	Washer <u>8</u>	8	
17	L91210-00400	Plate,Step	2	
18	20XDB5210000	Panel	1	
19	GB96.1	Washer <u>8</u>	4	
20	30X5200002	Screw	2	



Engine Cover Assy



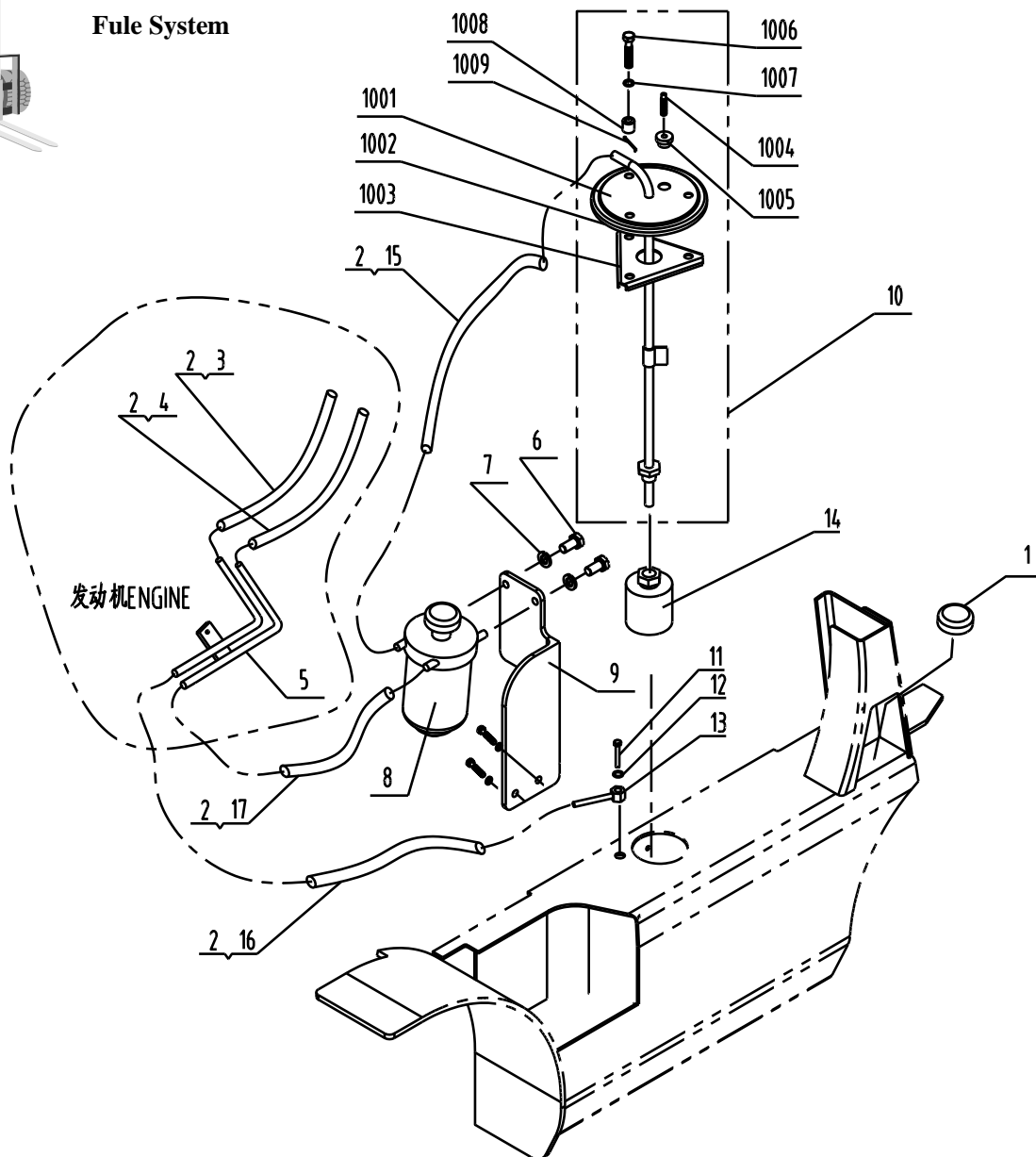
Item No.	Part No.	Part Description	Q'ty	Remark
1	L91210-37062	Engine Cover Assy	1	
101	L91310-11020	Cover & W/Strip	1	
102	L91213-41200	Insulator	1	
103	L91212-22200	Fastener,Plastic	7	
104	L91211-08900	Cushion Stopper	2	
105	L91313-25900	Hinge	2	
106	L91213-30900	Bracket,Hinge	2	
107	L91212-01600	Bushing	4	
108	L91213-14300	Pin,Hinge	2	
109	F2841-20020	Pin,Split	2	
110	F1805-10016	Bolt,W/Washer	4	
111	91213-20030	Fastener,Assy	1	

**DALIAN FORKLIFT CO.,LTD**

Item No.	Part No.	Part Description	Q'ty	Remark
112	F2500-08000	Washer	2	
113	F1805-08014	Bolt,W/Washer	2	
114	91210-05800	Rib	2	
115	F1805-06012	Bolt,W/Washer	4	
116	F2500-06000	Washer	4	
2	20XDB5310000	Floor Board	1	①②④⑤ ⑥
2	20WCB5310000	Floor Board	1	③
3	GB97.1	Washer <u>10</u>	6	
4	L91213-13700	Button	1	
5	GB5786	Bolt <u>M10×1.25×45</u>	1	
6	GB6171	Nut <u>M10×1.25</u>	1	
7	GB93	Spring Washer <u>10</u>	5	
8	GB91	Pin <u>2×16</u>	2	
9	QD16.350×205×430	Spring,Gas	1	
10	GB97.1	Washer <u>8</u>	2	
11	GB5786	Bolt <u>M10×1.25×16</u>	4	
12	20XDB5320001	Cover,Radiator	1	①②③⑤⑥ QD-FB
12	20ZFB5310001	Cover,Radiator	1	YD-FB
13	Z64-7	Pentacle Knob <u>M8×40×25</u>	2	
14	L92512-05300	Spacer	2	
15	Q/DC.J.056102	Grommet <u>14×2</u>	2	
16	L91410-02300	Weatherstrip	1	
17	L91213-11500	Clapboard	1	
18	L91212-22200	Pin	2	
19	GB96.1	Washer <u>6</u>	2	
20	GB96.1	Washer <u>8</u>	8	
21	20XDB0000002	Underlay,Seat	2	
22	D91314-03020	Seat	1	①②③⑤⑥
22	GY-TCM (FH- I )	Seat	1	④
23	Q/DC.J.056102	Grommet <u>18×3</u>	1	④



Fule System

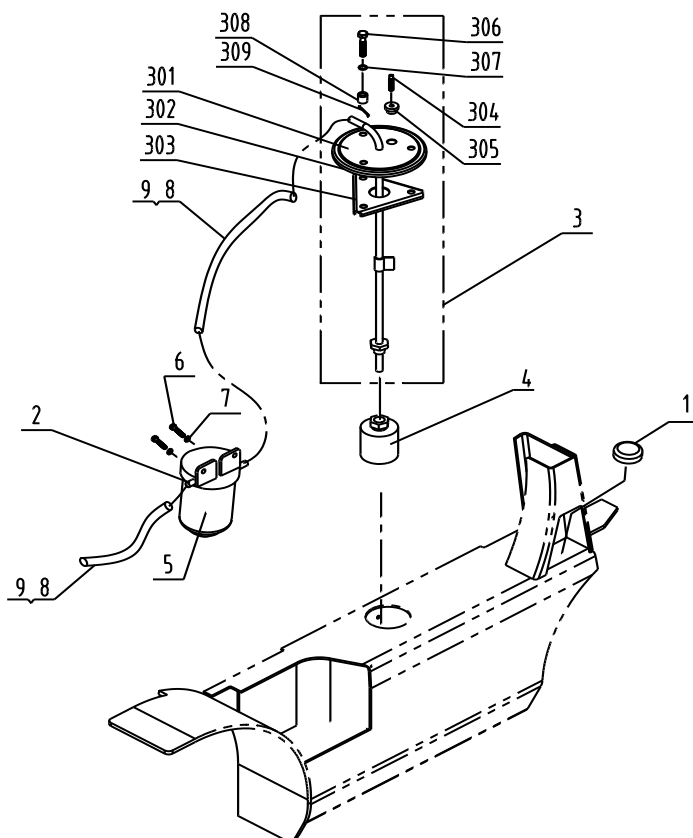


Item No.	Part No.	Part Description	Q`ty	Remark
1	216G2-52051	Cap	1	①②③⑤⑥
2	JB/ZQ3777	Clamp11~16	10/6	①③/②⑤⑥
3	HG/T3041	Hose 8×15×400	1	①③
4	HG/T3041	Hose 8×15×200	1	①③
5	30XDB5410000	Pipe	1	①③
6	GB5783	Bolt M8×16	4/1	②⑤/⑥
7	GB93	Spring Washer 8	4/1	②⑤/⑥
8	40XBB5420000	Fuel Filter	1	①③SELECTIVE

**DALIAN FORKLIFT CO.,LTD**

Item No.	Part No.	Part Description	Q`ty	Remark
8		Fuel Filter	1	②⑤
8	129052-55630	Fuel Filter	1	⑥
9	20XRB5400001	Bracket	1	①③SELECTIVE
9	20XRB5400001	Bracket	1	②⑤
9	198072-04320	bracket	1	⑥
10	20XDB5410000	Cap	1	①②③⑤⑥
1001	20XDB5411000	Coping	1	
1002	L93175-12600	Shim	1	
1003	20XDB5412000	Board	1	
1004	20XDB5410001	Axes	1	
1005	20XDB5410002	Boot	1	
1006	L91276-00500	Bolt	3	
1007	JB982	Spring Washer <u>8</u>	3	
1008	L91364-01300	Spacer	3	
1009	GB91	Pin <u>2X16</u>	3	
11	20XDB5420000	Fuel Hose	1	①②③⑤
11	20XSB5410000	Fuel Hose	1	⑥
12	JB982	Washer <u>12</u>	2	①②③⑤⑥
13	L91264-06900	Vitta, Return	1	①②③⑤⑥
14	Y0606-0000	Filter	1	①②③⑤⑥
15	HG/T3041	Hose <u>8×15×550</u>	1	①③
15	HG/T3041	Hose <u>8×15×250</u>	1	①③SELECTIVE
15	HG/T3041	Hose <u>8×15×250</u>	1	②⑤
15	HG/T3041	Hose <u>8×15×180</u>	1	⑥
16	HG/T3041	Hose <u>8×15×220</u>	1	①③
16	HG/T3041	Hose <u>8×13×260</u>	1	②⑤
16	HG/T3041	Hose <u>8×13×200</u>	1	⑥
17	HG/T3041	Hose <u>8×15×320</u>	1	①③SELECTIVE
17	HG/T3041	Hose <u>8×15×320</u>	1	②⑤⑥

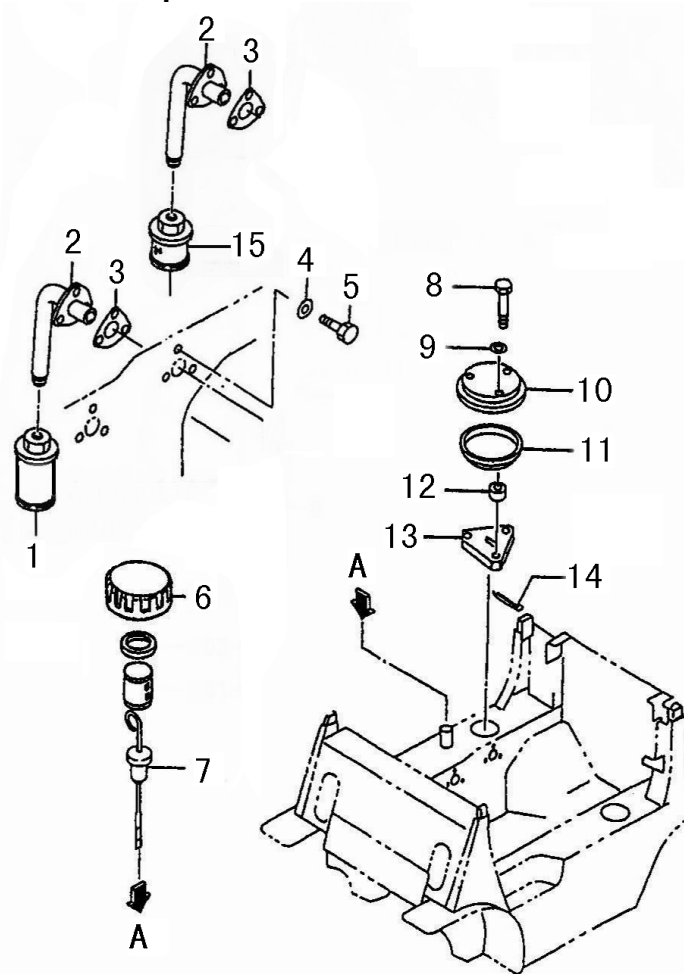
## FORKLIFT PARTS CATALOGUE



Item No.	Part No.	Part Description	Q`ty	Remark
1	L91364-10600	Cap	1	④
2	30V5400001	Connector	2	④
3	20XDB5410000	Cap	1	④
301	20XDB5411000	Coping	1	④
302	L93175-12600	Shim	1	④
303	20XDB5412000	Board	1	④
304	20XDB5410001	Axes	1	④
305	20XDB5410002	Boot	1	④
306	L91276-00500	Bolt	3	④
307	JB982	Spring 8	3	④
308	L91364-01300	Spacer	3	④
309	GB91	Pin 2X16	3	④
4	Y0606-0000	Filter	1	④
5	282A16	Filter	1	④
6	GB5783	Bolt M8×20	2	④
7	GB93	Washer 8	2	④
8	JB/ZQ3777	Clamp 11~16	4	④
9	HG/T3041	Hose 8×15×400	2	④

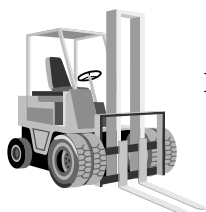


Hydraulic Oil Tank

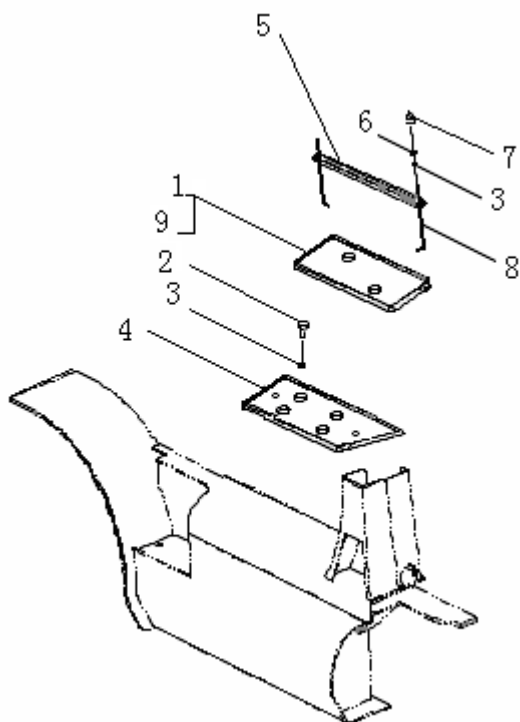


Item No.	Part No.	Part Description	Q`ty	Remark
1	20XDB5600001	Filter	1	
2	L91375-20300	Pipe	2	
3	L91875-00400	Patch	2	
4	JB982	Washer <u>10</u>	6	
5	GB5786	Bolt <u>M10X1.25X16</u>	6	
6	L91275-30010D	Cap	1	
7	20XDB5610000	Guage	1	
8	L91276-00500	Bolt	3	
9	JB982	Washer <u>8</u>	3	
10	L91375-10100	Cover	1	
11	L91375-12600	Patch	1	
12	L91364-01300	Spacer	3	
13	L91376-10202	Clamp	1	
14	GB91	Pin <u>2X15</u>	3	
15	20XDB5600002	Filter	1	





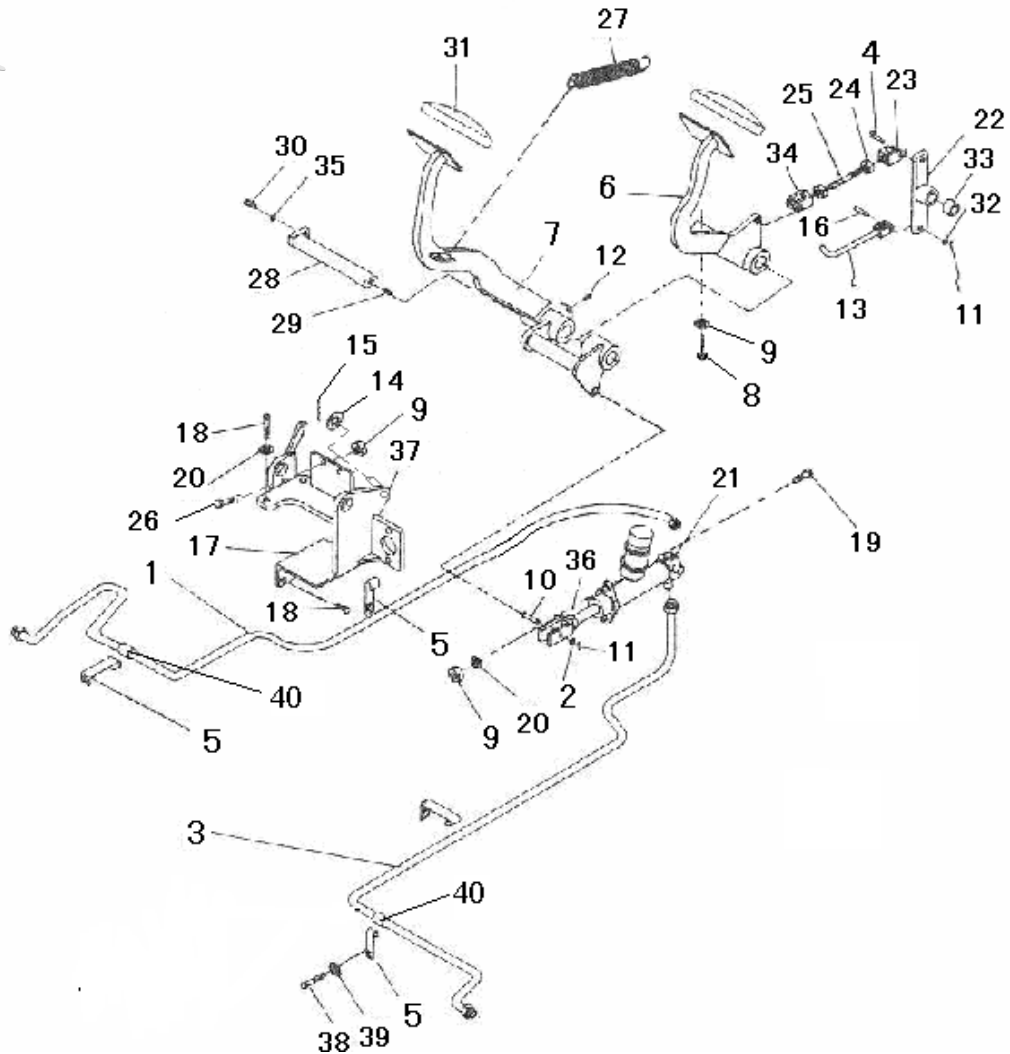
**Installation of The Battery**



Item No.	Part No.	Part Description	Q`ty	Remark
1	20XDB5710002	Case,Battery	1	
2	GB5783	Bolt <u>M8X10</u>	2	
3	GB93	Washer,Sping <u>8</u>	4	
4	20XDB5710001	Seat,Battery	1	
5	D91206-05900	Clamp,Battery	1	
6	GB97.1	Washer,Plain <u>8</u>	2	
7	GB6170	Nut <u>M8</u>	2	
8	D91304-01200	Rod,Battery Clamp	2	
9	GB12618	Rivet <u>3×7</u>	3	



Brake and inching Control



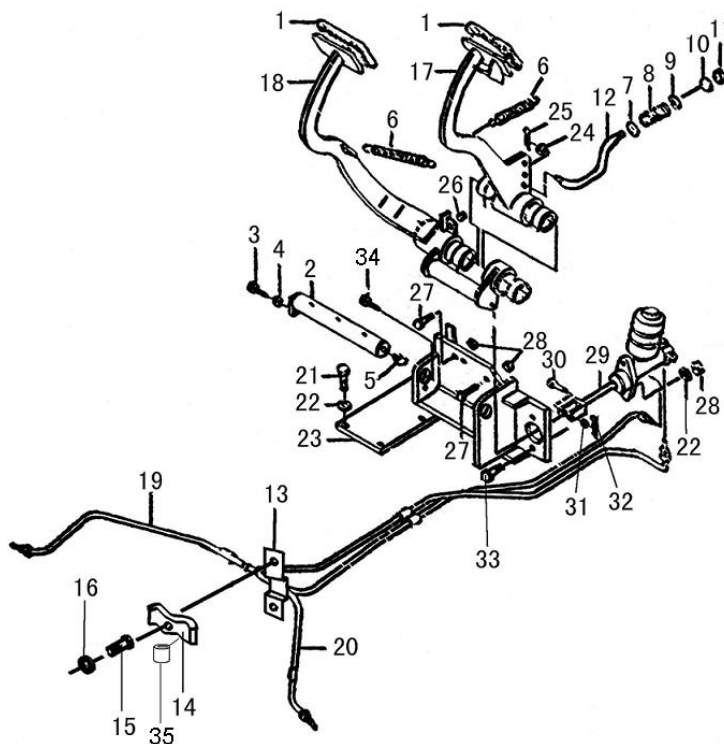
Item No.	Part No.	Part Description	Q`ty	Remark
1	20V6120000	HoseL.H.	1	
2	GB97.1	Washer <u>10</u>	2	
3	20V6110000	Pipe,L.H.	1	
4	GB91	Pin <u>3.2×20</u>	2	
5	30V6100010	Clip	1	
6	30X6170000	Pedal, Inching	1	
7	30X6140000	Pedal	1	
8	GB5782	Bolt <u>M10×40</u>	1	
9	GB6170	Nut <u>M10</u>	3	
10	GB882	Pin, Clevis <u>B10×30</u>	2	
11	GB91	Pin <u>3.2×16</u>	2	

**FORKLIFT PARTS CATALOGUE**

Item No.	Part No.	Part Description	Q`ty	Remark
12	46584 S0100	Stopper	1	
13	30X6120000	Joint	1	
14	GB97.1	Washer <u>16</u>	1	
15	GB91	Pin <u>4×30</u>	1	
16	GB882	Pin, Clevis <u>B8×30</u>	1	
17	20V6130000	Bracket	1	
18	GB5783	Bolt <u>M10×20</u>	4	
19	GB5783	Bolt <u>M10×35</u>	2	
20	GB93	Washer <u>10</u>	6	
21	TC0200	Master cylinder	1	
22	30X6110000	Linker	1	
23	30X6100005	Joint L.H.	1	
24	30X6100006	Nut,L.H	1	
25	30X6100004	Rod	1	
26	GB5786	Bolt <u>M10×1.25×30</u>	2	
27	30X6100003	Spring	2	
28	30X6150000	Shaft	1	
29	JB/T7940.2-1995	Fitting, grease <u>90° M10×1</u>	1	
30	GB5783	Bolt <u>M8×16</u>	1	
31	30X6100001	Cap	2	
32	GB97.1	Washing <u>8</u>	2	
33	1615	Bushing	2	
34	30X6100002	Joint	1	
35	GB93	Washing <u>8</u>	1	
36	GB6171	Nut <u>M10×1.25</u>	3	
37	15XFB6110000	Seating	1	
38	GB5781	Bolt <u>M10×20</u>	1	
39	GB93	Washing <u>6</u>	1	
40	30XDB6100002	Spacer	2	



Clutch & Brake Pedal



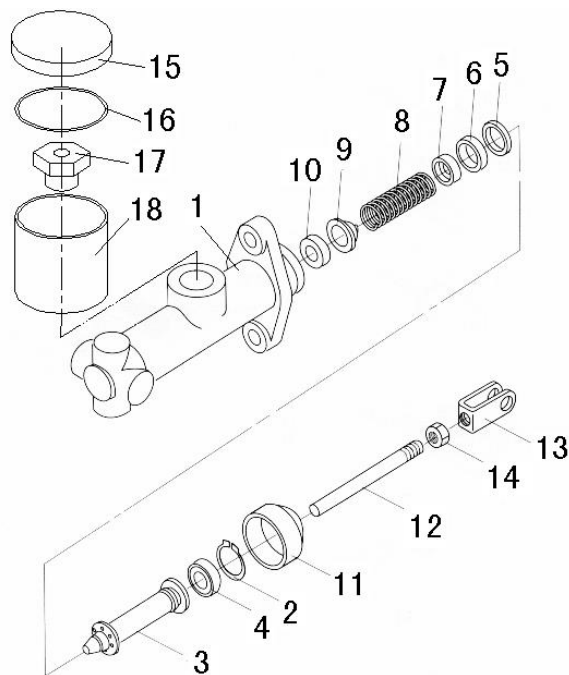
Item No	Part No.	Part Description	Q'ty	Remark
1	30X6100001	Cover	2	
2	30X6150000	Shaft, Pedal	1	
3	GB5783	Bolt <u>M8×16</u>	1	
4	GB93	Washer <u>8</u>	1	
5	JB/T7940.2	Fitting, Grease90° <u>M10×1</u>	1	
6	30X6100003	Spring	2	
7	30W6100001	Washer	2	
8	30W6100002	Spring	1	
9	GB97.1	Washer <u>12</u>	1	
10	30W6100003	Joint	1	
11	GB6173	Bolt <u>M12×1.25</u>	1	
12	30W6140000	Rod Ass'y	1	

**FORKLIFT PARTS CATALOGUE**

<b>Item No.</b>	<b>Part No.</b>	<b>Part Description</b>	<b>Q'ty</b>	<b>Remark</b>
13	30V6110000	Bracket	1	
14	30V6100010	Clip	1	
15	GB5781	Bolt <u>M6×20</u>	1	
16	GB93	Washer <u>6</u>	1	
17	30W6110000	Clutch Pedal	1	
18	30W6120000	Brake Pedal	1	
19	20V6120000	Pipe R.H.Brake	1	
20	20V6110000	Pipe L.H.Brake	1	
21	GB5781	Bolt <u>M10×25</u>	5	
22	GB859	Washer <u>10</u>	7	
23	15WAB6140000	Bracket, Pedal	1	
24	GB97.1	Washer <u>10</u>	1	
25	GB91	Pin <u>3.2×25</u>	1	
26	46584 S0100	Stopper	1	
27	GB5786	Bolt <u>M10×1.25×30</u>	2	
28	GB6171	Nut <u>M10×1.25</u>	5	
29	TC0200	Master Cylinder	1	
30	GB882	Pin, Clevis <u>B8×26</u>	1	
31	GB97.1	Washer <u>8</u>	1	
32	GB91	Pin <u>3.2×16</u>	1	
33	GB5786	Bolt <u>M10×1.25×35</u>	2	
34	GB5786	Bushing <u>M10×1.25×55</u>	1	
35	30XDB6100002	Spacer	2	



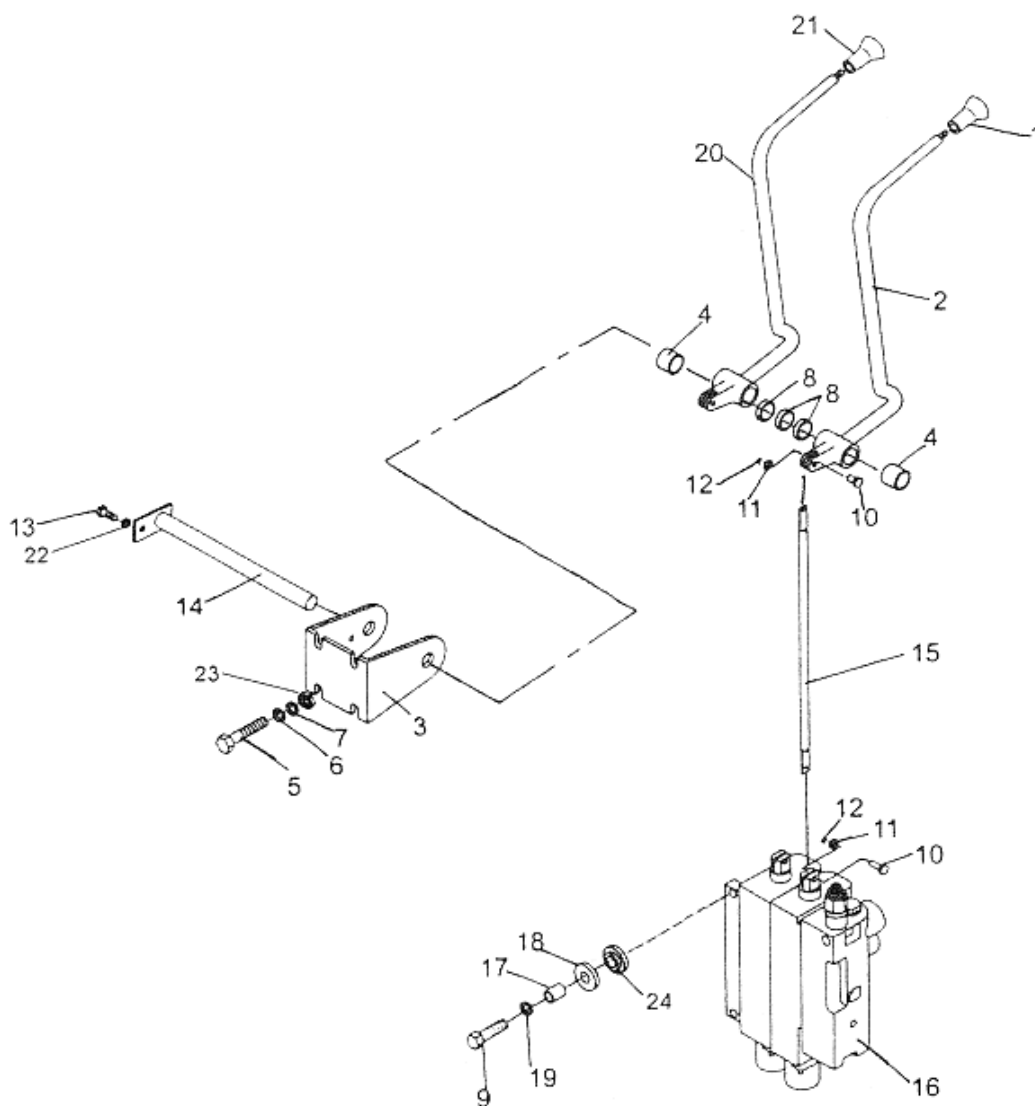
Master Cylinder



Item No.	Part No.	Part Description	Q`ty	Remark
1	CKM3/4	Body, Cylinder	1	
2	Q43022	Ring, Stopper	1	
3	CKM3/4-3505030	Piston	1	
4		Cup, Secondary	1	
5		Cup, Rubber	1	
6		Cup, Primary	1	
7		Seat, Spring	1	
8		Spring	1	
9	CKM3/4-3505040	Valve, Check	1	
10	CKM3/4-3505012	Seat, Valve	1	
11	CKM3/4-3505015	Boots	1	
12	CKM3/4-3505020	Rod, Push	1	
13		Clevis	1	
14	GB6170	Nut <u>M8</u>	1	
15		Cup,cap	1	
16		Ring	1	
17		Cup,tie-in	1	
18		Reserve	1	



Valve Control System



Item No.	Part No.	Part Description	Q'ty	Remark
1	91273-21200D	Knob	1	
2	30XDB6820000	Lever, Tilt(B)	1	
3	30XDB6800006	Bracket Lever	1	
4	FZ-1.16.37	Bushing	2	
5	GB5781	Bolt M8×25	4	
6	GB97.1	Washer 8	8	
7	GB859	Washer 8	4	
8	30X6800005	Shim	3	

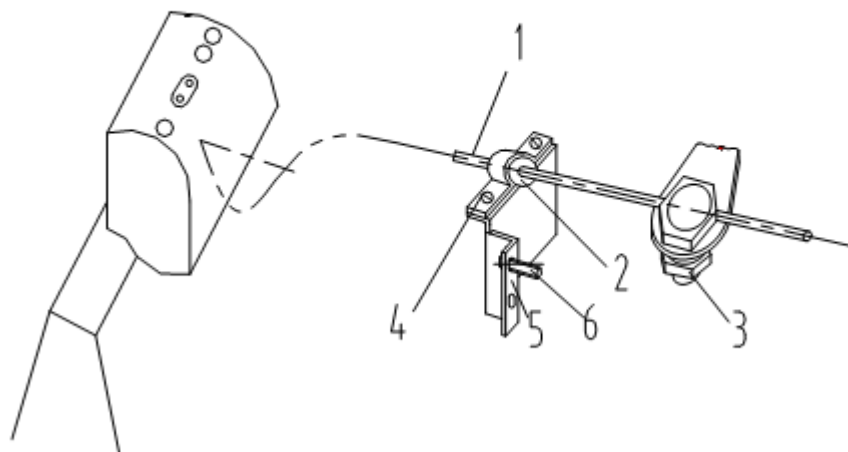
**DALIAN FORKLIFT CO.,LTD**

Item No.	Part No.	Part Description	Q`ty	Remark
9	GB5786	Bolt <u>M10×1.25×35</u>	3	
10	30X6800001	Pin	4	
11	GB97.1	Washer <u>5</u>	4	
12	GB91	Pin <u>1.6×10</u>	4	
13	GB5781	Bolt <u>M6×12</u>	1	
14	30X6830000	Pin, Lever	1	
15	30V6800002	Rob	2	
16	CDB2-F15	Control valve	1	
17	30XDB6800001	Collar	3	
18	GB96	Washer <u>10</u>	3	
19	GB93	Washer <u>10</u>	3	
20	30XDB6810000	Lever, tilt	1	
21	91273-21300D	Knob, tilt	1	
22	GB93	Washer <u>6</u>	1	
23	GB6170	Nut <u>M8</u>	4	
24	30XDB6800002	Rubber	3	





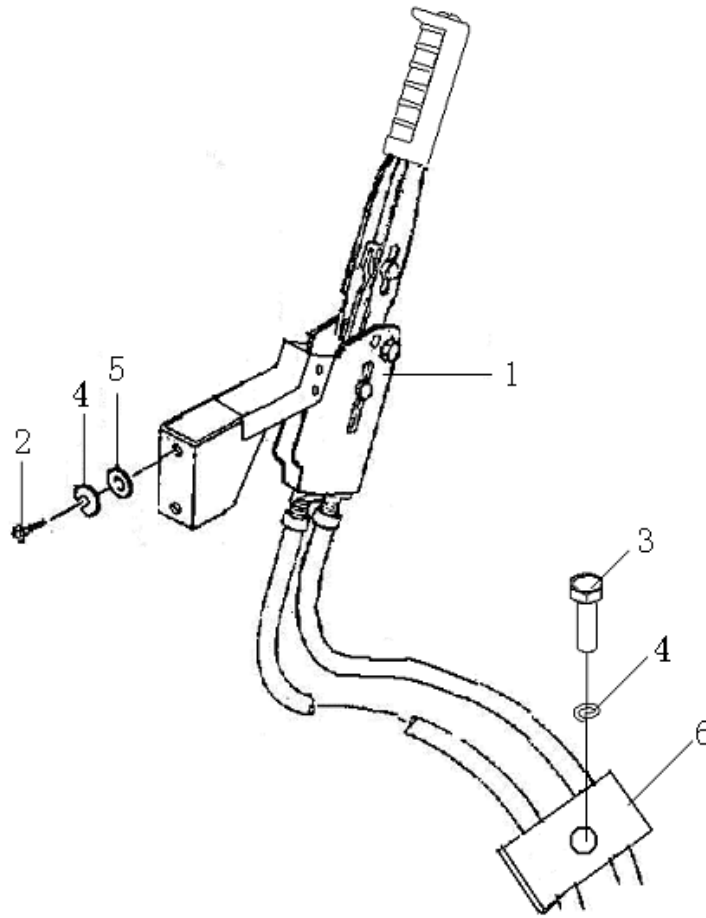
**Choke System**



Item No.	Part No.	Part Description	Q`ty	Remark
1		Line <u>(L=1800)</u>	1	CD-CB/DB C-CB/BB
2	30X6610001	Cannula	1	CD-CB/DB C-CB/BB
3	20W3100003	Bolt	1	CD-CB/DB C-CB/BB
	GB93	Washer <u>6</u>	3	CD-CB/DB C-CB/BB
	GB6170	Nut <u>M6</u>	1	CD-CB/DB C-CB/BB
4	GB67	Bolt <u>M5×10</u>	2	CD-CB/DB C-CB/BB
	30W6600001	Clip	1	CD-CB/DB C-CB/BB
	GB93	Washer <u>5</u>	2	CD-CB/DB C-CB/BB
5	30XDA6600001	Underprop	1	CD-CB/DB C-CB/BB
6	GB5781	Bolt <u>M6×20</u>	2	CD-CB/DB C-CB/BB



Hand Brake System

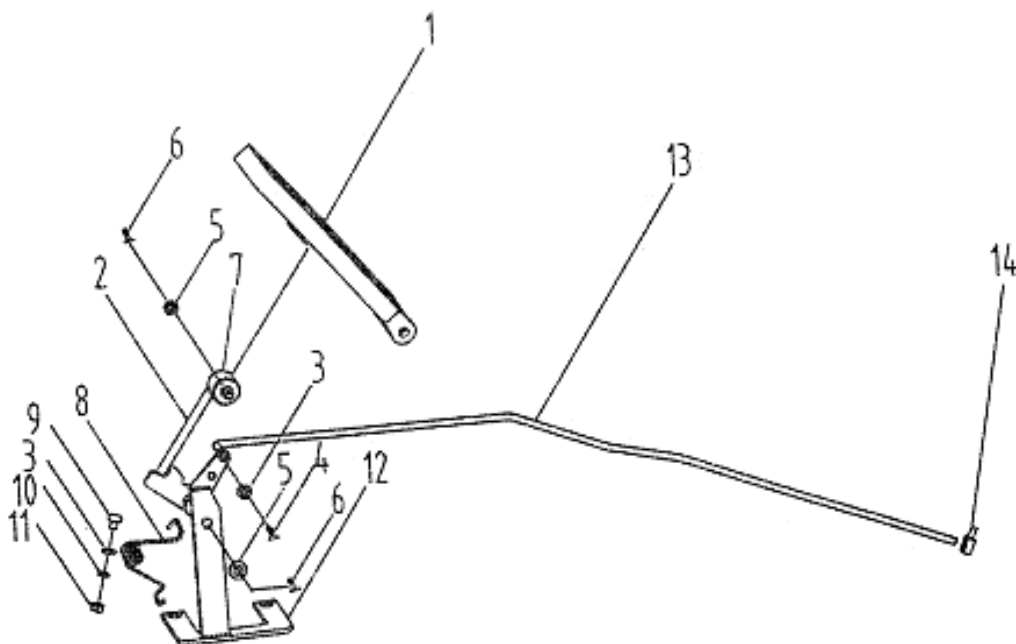


Item No.	Part No.	Part Description	Q`ty	Remark
1	HC214J5-50101	Lever Brake	1	
2	GB5783	Bolt <u>M10×45</u>	2	
3	GB5786	Bolt <u>M10×1.25×16</u>	2	
4	GB93	Washer <u>10</u>	4	
5	GB97.1	Washer <u>10</u>	2	
6	04434-51910	Clip	2	

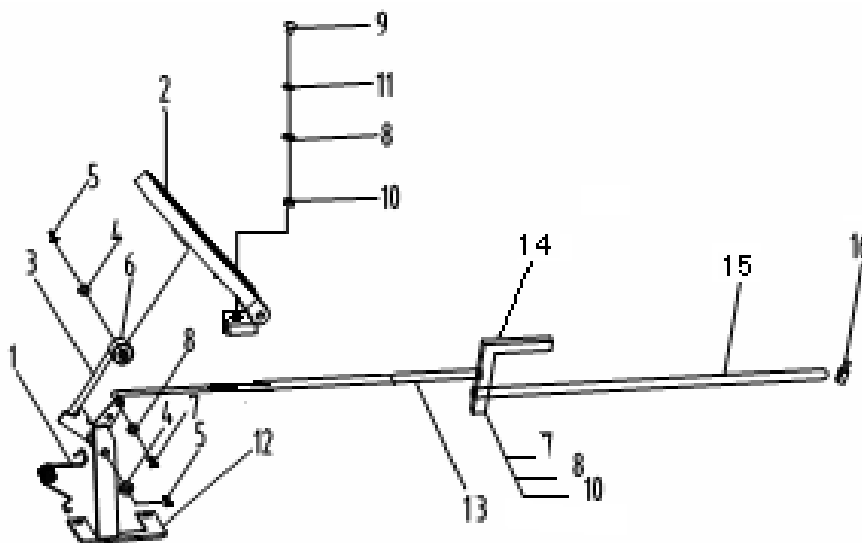
## FORKLIFT PARTS CATALOGUE



### Accelerator Pedal

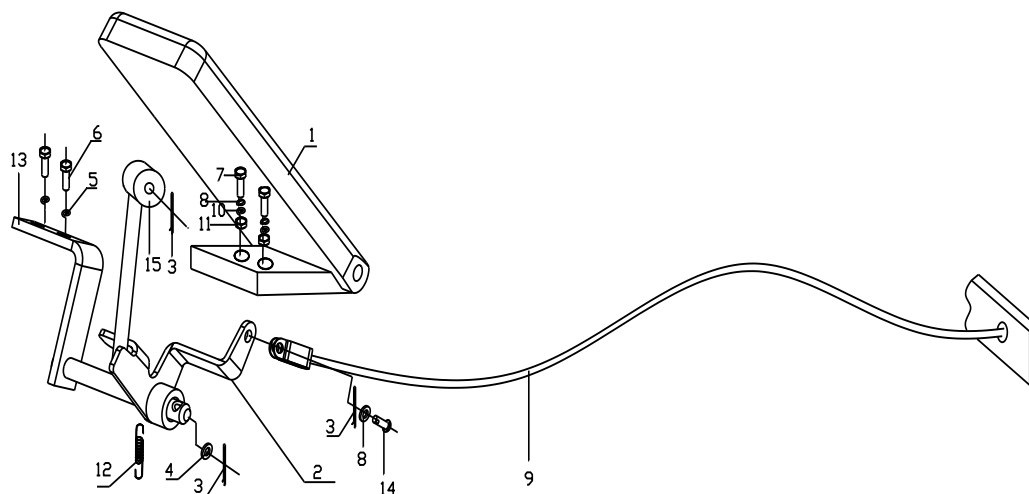


Item No.	Part No.	Part Description	Q`ty	Remark
1	H24C5-60201	Pedal	1	①③⑤⑥
2	30XDB6420000	Link	1	①③⑤
3	GB97.1	Washer <u>6</u>	3	①③⑤
4	GB91	Pin <u>2</u> × <u>10</u>	2	①③⑤
5	GB97.1	Washer <u>8</u>	2	①③⑤⑥
6	GB91	Pin <u>2</u> × <u>12</u>	2	①③⑤⑥
7	30XDB6400001	Roll	1	①③⑤⑥
8	30X6400001	Spring	1	①③⑤⑥
9	GB5783	Bolt <u>M6</u> × <u>16</u>	2	①③⑤
10	GB93	Washer <u>6</u>	2	①③⑤
11	GB6170	Nut <u>M6</u>	4	①③⑤
12	30XDB6410000	Bracket	1	①⑤
12	15WAB6410000	Bracket	1	③
13	30XDB6400002A	Shank	1	CD-CB,CD-DB ③
13	30XEB6400001	Shank	1	CD-EB
13	30XFB6400002A	Shank	1	⑤
14	30X64A00007	Block	1	①③⑤



Item No.	Part No.	Part Description	Q`ty	Remark
1	30X6400001	Spring	1	②
2	H24C5-60201	Pedal	1	②
3	30XDB6420000	Link	1	②⑥
4	GB97.1	Washer <u>8</u>	2	②
5	GB91	Pin <u>2×12</u>	2	②
6	30XDB6400001	Roll	1	②
7	GB91	Pin <u>2×10</u>	4	②
8	GB97.1	Washer <u>6</u>	4/2	② / ⑥
9	GB5783	Bolt <u>M6×16</u>	2/4	② / ⑥
10	GB6170	Nut <u>M6</u>	4/2	② / ⑥
11	GB93	Washer <u>6</u>	2/4	② / ⑥
12	30XDB6410000	Bracket	1	②
13	30X64A00005	Shank	1	②
14	30X64A40000	Shank	1	②
15	30X64A00006	Shank	1	②
16	30X64A00007	Block	1	②

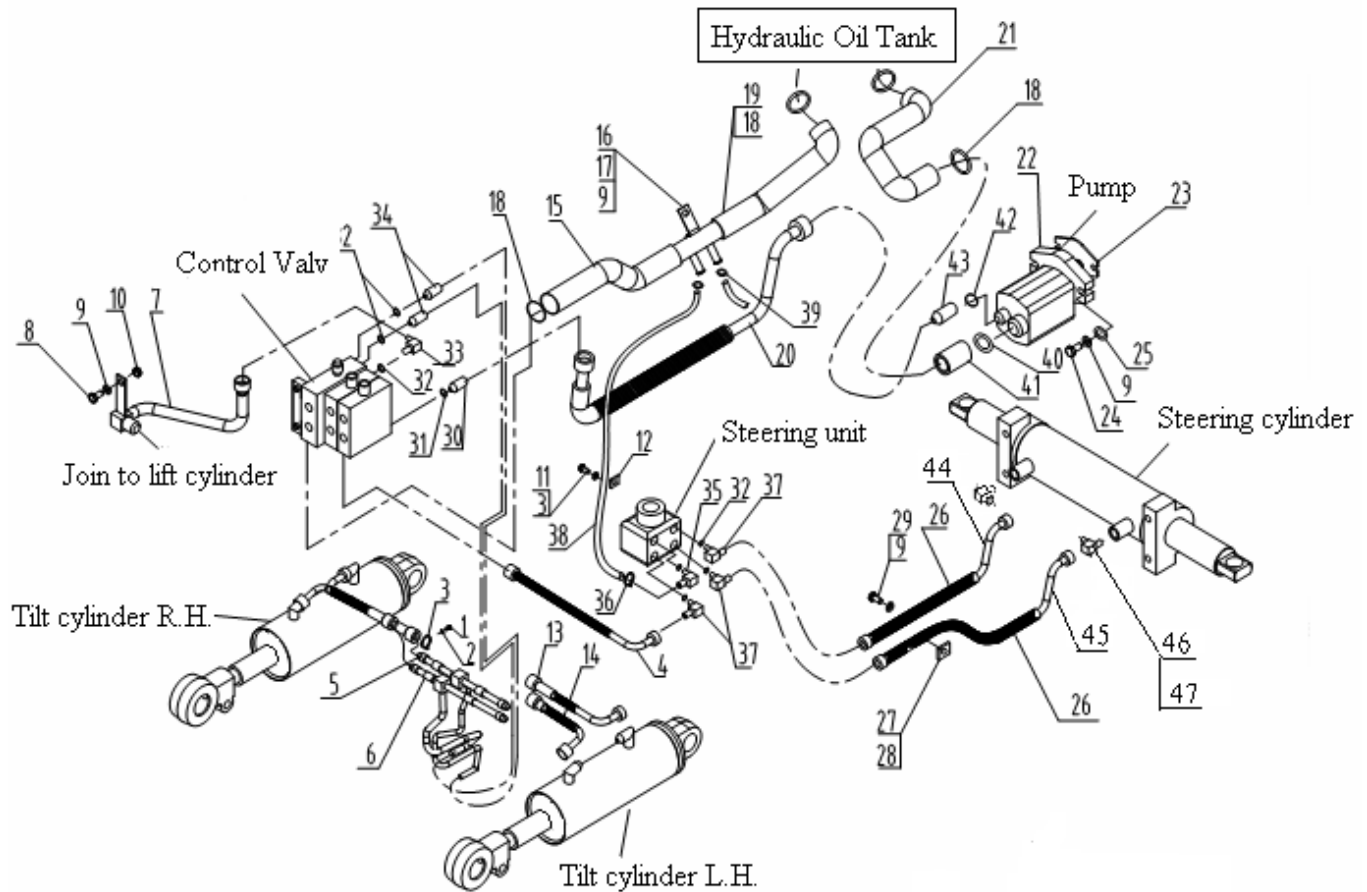
## FORKLIFT PARTS CATALOGUE



Item No.	Part No.	Part Description	Q`ty	Remark
1	H24C5-60201	Pedal	1	④
2	30VFB6420000	Link	1	④
3	GB91	Pin $2 \times 12$	3	④
4	GB97.1	Washer $10$	1	④
5	GB97.1	Washer $8$	2	④
6	GB5781	Bolt $M8 \times 16$	2	④
6	GB5783	Bolt $M8 \times 20$	2	⑥
7	GB5783	Bolt $M6 \times 16$	2	④
8	GB97.1	Washer $6$	2	④
9	30V6440000	Line	1	④
9	40XBB6400001	Line	1	⑥
10	GB93	Washer $6$	2	④
11	GB6170	Bolt $M6$	2	④
12	30X6400001	Spring	1	④
13	30X6410000	Bracket	1	④⑥
13	40XBB6410000	Bracket	1	⑥
14	GB882	Pin $B6 \times 14$	1/2	④/⑥
15	30XDB6400001	Roll	1	④



Hydraulic System



Item No.	Part No.	Part Description	Q`ty	Remark
1	30X7000014	Clip	2	
2	GB5781	Bolt M8×25	2	
3	GB93	Washer 8	6	
4	20XDB7100001	Hose Joint 8 I -400	1	
5	20XDB7101000	HoseH.P	1	
6	20XDB7102000	Hose H.P	1	
7	20XDB7104000	Hose	1	
8	GB5781	Bolt M10×30	1	

**FORKLIFT PARTS CATALOGUE**

Item No.	Part No.	Part Description	Q`ty	Remark
9	GB93	Washer <u>10</u>	8	
10	GB6170	Nut <u>M10</u>	1	
11	GB5781	Bolt <u>M8×16</u>	2	
12	30XDB7000004	Clamp,Hose	2	
13	20XDB7100007	HoseH.P	2	
14	20XDB7100008	Hose H.P	2	
15	20XDB7100005	Hose1	1	
16	20XDB7103000	Valve	1	
17	GB5786	Bolt <u>M10X1.25X16</u>	1	
18	JB/ZQ3777	Clip <u>35-50</u>	6	
19	20XDB7100006	Hose2	1	
20	20XDB7100002	Hose	1	
21	20XDB7100004	Hose	1	①③
21	20VFB7100001	Hose	1	②④⑥
21	20XRB7100001	Hose	1	⑤
22	CBHZG-F32-ALHL	Pump	1	①③
22	CBHZG-F32-AL φ L	Pump	1	②⑥
22	CBHZG-F32-ALΦ	Pump	1	④⑤
23	30X7000011	Shim	1	
24	GB5783	Bolt <u>M10×30</u>	2	
25	GB97.1	Washer <u>10</u>	2	
26	JB1887	Hose Joint <u>8 I -1600</u>	2	
27	L95127-06300	Clamp,Hose	2	
28	L95127-06200	Ring,Rubber	2	
29	GB5786	Bolt <u>M10X1.25X20</u>	4	
30	J20.3-FB4-18	Joint <u>18</u>	1	
31	GB3452.1	O-Ring <u>18×2.65</u>	1	
32	GB3452.1	O-Ring <u>17×2.65</u>	7	
33	J20.3-FB4-14b	Joint <u>14b</u>	1	

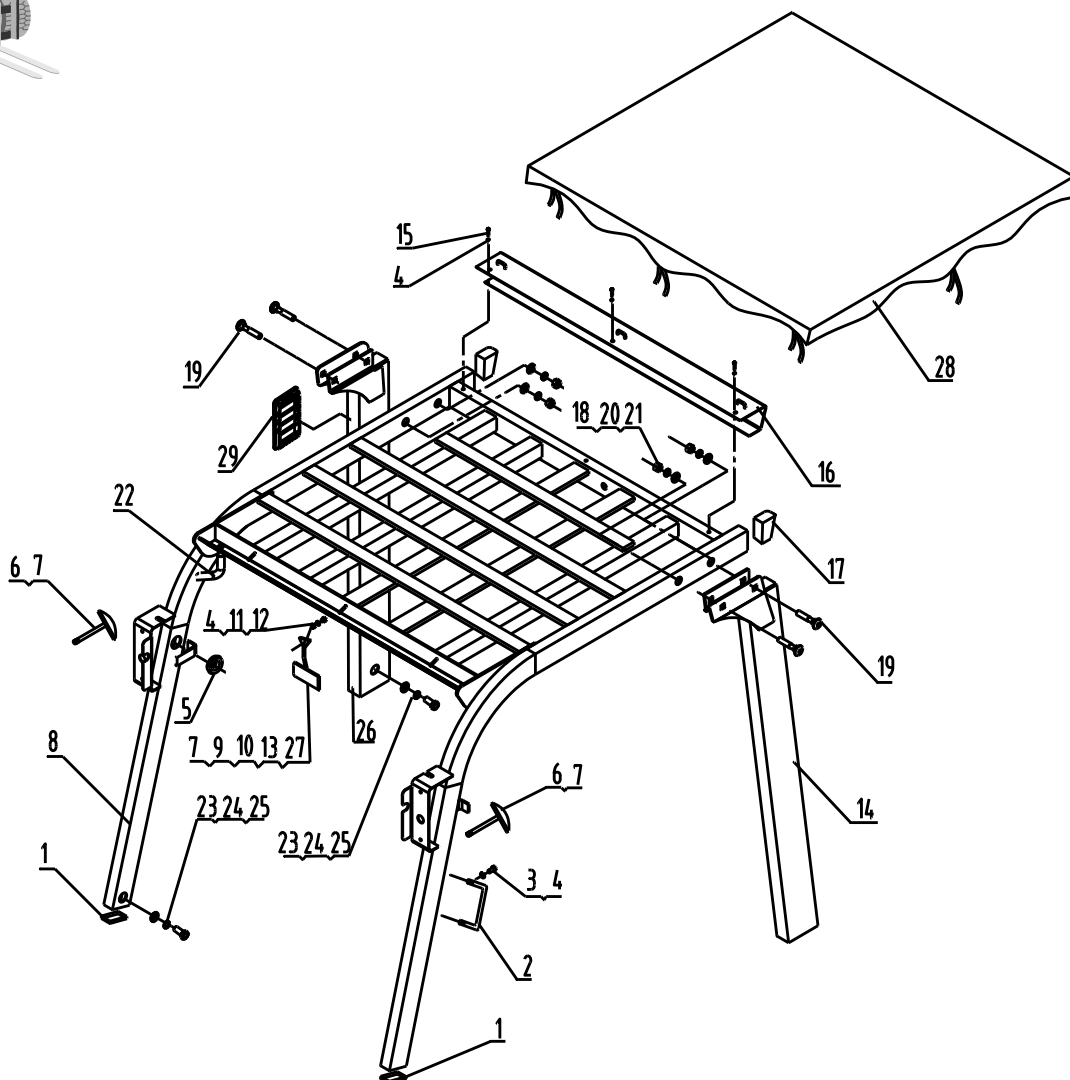
**DALIAN FORKLIFT CO.,LTD**

Item No.	Part No.	Part Description	Q`ty	Remark
34	J20.3-FB1-6b	Joint <u>6b</u>	2	
35	30V7000011	Nipple	1	
36	JB/ZQ3777	Clip <u>22~30</u>	2	
37	J20.3-FB1-8c	Nipple <u>8c</u>	3	
38	HG/T304.1	Hose <u>13×21×1600</u>	1	
39	JB/ZQ3777	Clip <u>18~25</u>	1	
40	JB982	Washer <u>33</u>	1	
41	J20.3-FB6-32	Joint <u>32</u>	1	
42	GB3452.1	O-Ring <u>20×2.65</u>	1	
43	J20.3-FB1-16	Nipple <u>16</u>	1	
44	30XDB41D10000	Hose	1	
45	30XDB41D20000	Hose	1	
46	DC91275-03010	Joint	2	
47	GB3452.1	O-Ring <u>14×2.65</u>	2	





Overhead Guard



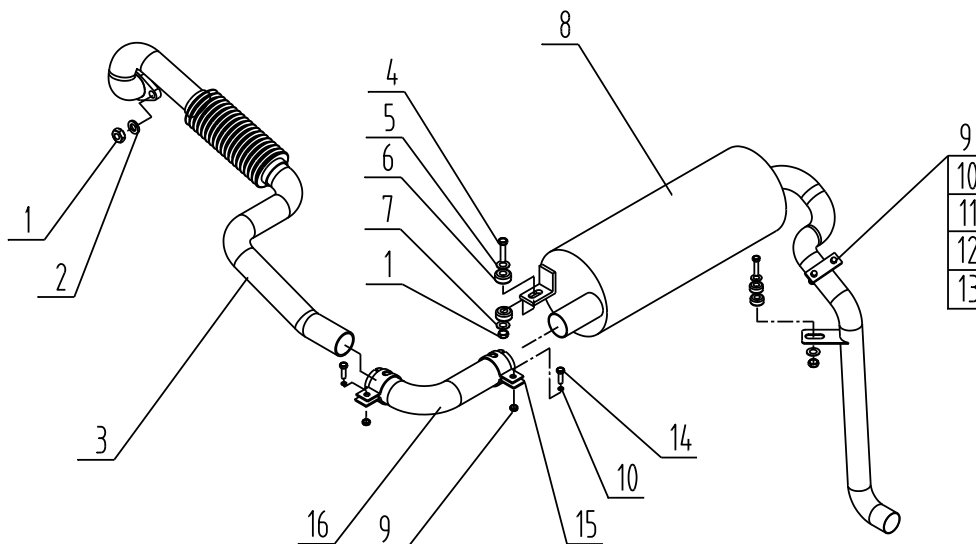
Item No.	Part No.	Part Description	Q`ty	Remark
1	20XDB0200001	Ring	2	
2	5031240-A1	Grip	1	
3	GB67	Bolt <u>M6×25</u>	2	
4	GB93	Spring Washer <u>6</u>	7	
5	30X0200003	Grommet	2	
6	CA-1046	Viewfinder	2	
7	GB6170	Nut <u>M8</u>	3	
8	20XDB0210000	Overhead Guard, front	1	

**DALIAN FORKLIFT CO.,LTD**

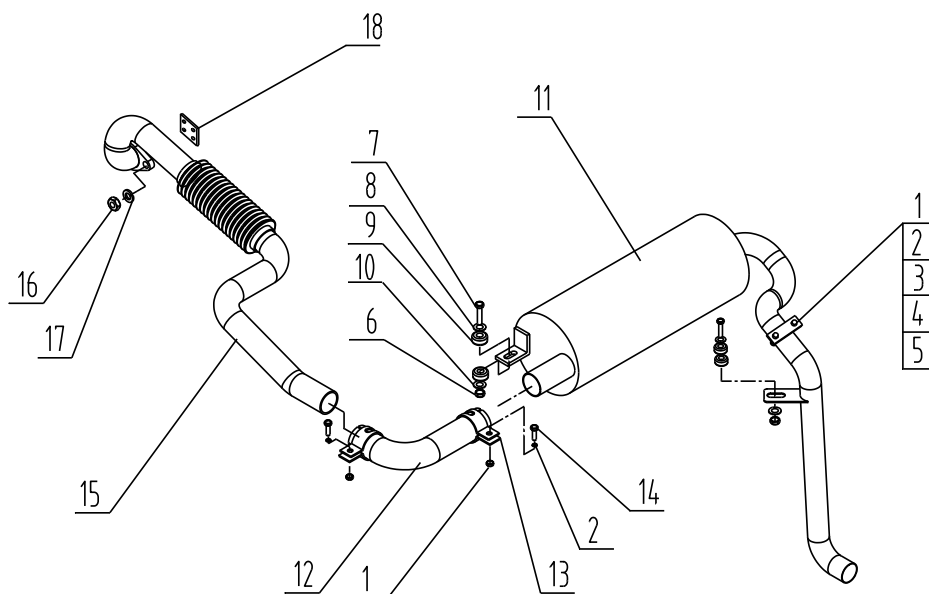
Item No.	Part No.	Part Description	Q`ty	Remark
9	GB5781	Bolt <u>M8×35</u>	1	
10	GB93	Spring Washer <u>8</u>	1	
11	GB5783	Bolt <u>M6×20</u>	2	
12	GB6170	Nut <u>6</u>	2	
13	CA6440	Viewfinder	1	
14	20XDB0220000	Leg,L.H.rear	1	
15	GB67	Bolt <u>M6×10</u>	3	
16	20XDB0240000	Cover	1	
17	30XDB0211002	Cap,Head Guard	2	
18	GB97.1	Washer <u>12</u>	4	
19	30V0200001	Bolt	4	
20	GB6170	Nut <u>M12</u>	4	
21	GB93	Spring Washer <u>1 2</u>	4	
22	30XDB0200002	Hose	1	
23	GB96.1	Washer <u>16</u>	4	
24	GB93	Spring Washer <u>16</u>	4	
25	L91215-04700	Bolt	4	
26	20XDB0230000	Leg,R.H.rear	1	
27	30XDB0200003A	Board	1	
28	20XDB0250000	Canvas Roof	1	
29	30V0240003	Louver,Air	1	



**Muffler System**

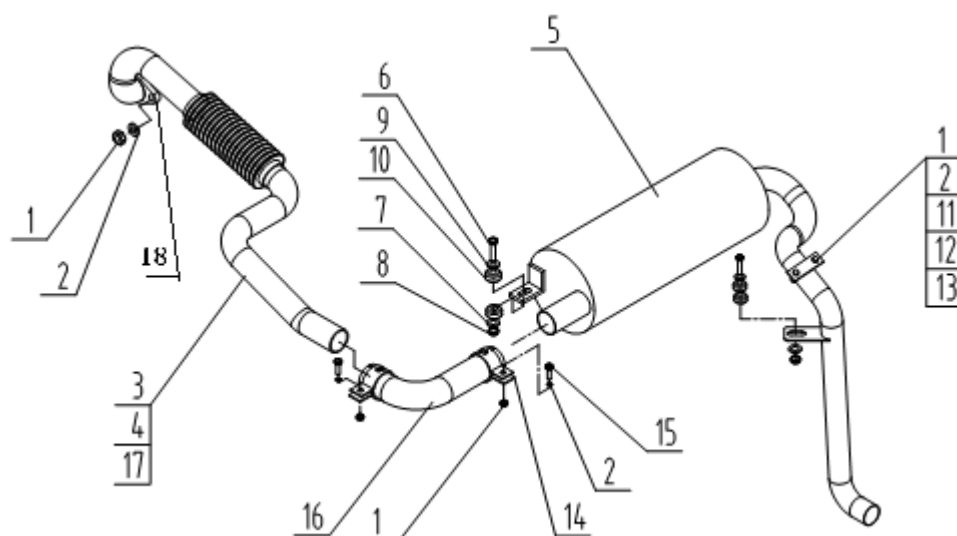


Item No.	Part No.	Part Description	Q`ty	Remark
1	GB6170	Nut <u>M10</u>	5	①③
2	GB93	Spring Washer <u>10</u>	2	①③
3	20XDB3210000	Nipple	1	①③
4	GB5782	Bolt <u>M10×55</u>	3	①③
5	30X3200002	Shim	3	①③
6	30X3200003	Shim,Rubber	6	①③
7	GB97.1	Washer <u>10</u>	3	①③
8	20XDB3230000	Muffler	1	①③
9	GB6170	Nut <u>M8</u>	4	①③
10	GB93	Washer <u>8</u>	4	①③
11	GB97.1	Washer <u>8</u>	2	①③
12	KD2.8LMT-KL-09	U-Bolt	1	①③
13	KD2.8LMT-KL-10	Clamp	1	①③
14	GB5783	Bolt <u>M8×25</u>	2	①③
15	30X3200004	Clip	2	①③
16	20XDB3200002	Pipe	1	①③

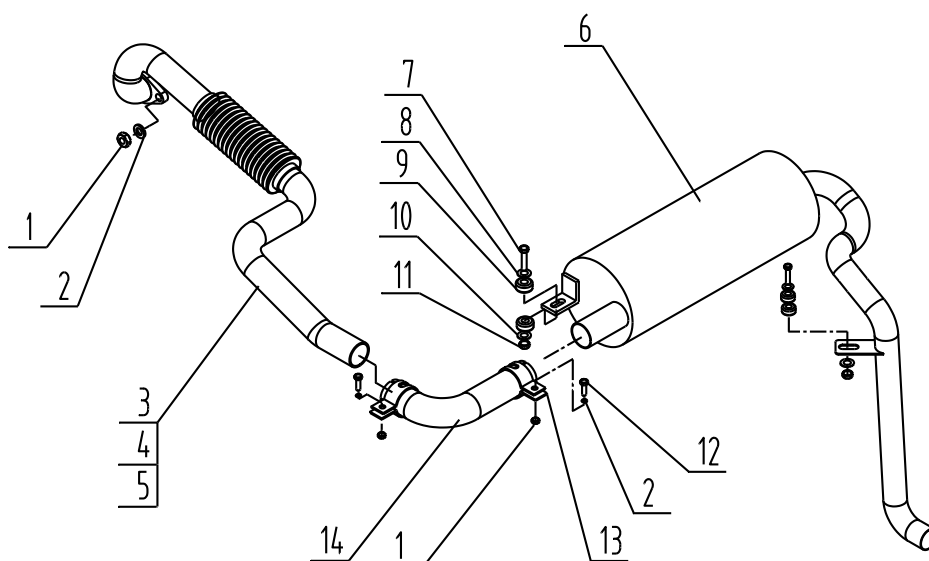


Item No.	Part No.	Part Description	Q`ty	Remark
1	GB6170	Nut <u>M8</u>	4	②
2	GB93	Spring Washer <u>8</u>	4	②
3	GB97.1	Washer <u>8</u>	2	②
4	KD2.8LMT-KL-09	U-Bolt	1	②
5	KD2.8LMT-KL-10	Clamp	1	②
6	GB6170	Nut <u>M10</u>	5	②
7	GB5782	Bolt <u>M10×55</u>	3	②
8	30X3200002	Shim	3	②
9	30X3200003	Shim,Rubber	6	②
10	GB97.1	Washer <u>10</u>	3	②
11	20XFB3230000	Muffler	1	②
12	20XDB3200002	Pipe	1	②
13	30X3200004	Clip	2	②
14	GB5783	Bolt <u>M8×25</u>	4	②
15	30XF1B3210000	Nipple	1	②
16	GB6171	Nut <u>M10×1.25</u>	4	②
17	GB93	Spring Washer <u>10</u>	4	②
18	30X3200001	Shim	1	②

## FORKLIFT PARTS CATALOGUE



Item No.	Part No.	Part Description	Q`ty	Remark
1	GB6170	Nut <u>M8</u>	10/8	④ / ⑥
2	GB93	Spring Washer <u>8</u>	10/8	④ / ⑥
3	20VFB3210000	Nipple	1	④
3	20XSB3210000	Nipple	1	⑥
4	30VFB3200001	Basketwork	1	④
5	20XFB3230000	Muffler	1	④⑥
6	GB5782	Bolt <u>M10×55</u>	3	④⑥
7	GB97.1	Washer <u>10</u>	3	④⑥
8	GB6170	Nut <u>M10</u>	3	④⑥
9	30X3200002	Shim	3	④⑥
10	30X3200003	Shim,Rubber	6	④⑥
11	GB97.1	Washer <u>8</u>	8/4	④ / ⑥
12	KD2.8LMT-KL-09	U-Bolt	1/2	④ / ⑥
13	KD2.8LMT-KL-10	Clamp	1/2	④ / ⑥
14	30X3200004	Clip	2	④
15	GB5783	Bolt <u>M8×25</u>	2	④
16	20XDB3200002	Pipe	1	④⑥
17	JB/ZQ3777	Clip <u>35-50</u>	2	④
18	129930-13201	(engine fittings)	1	⑥

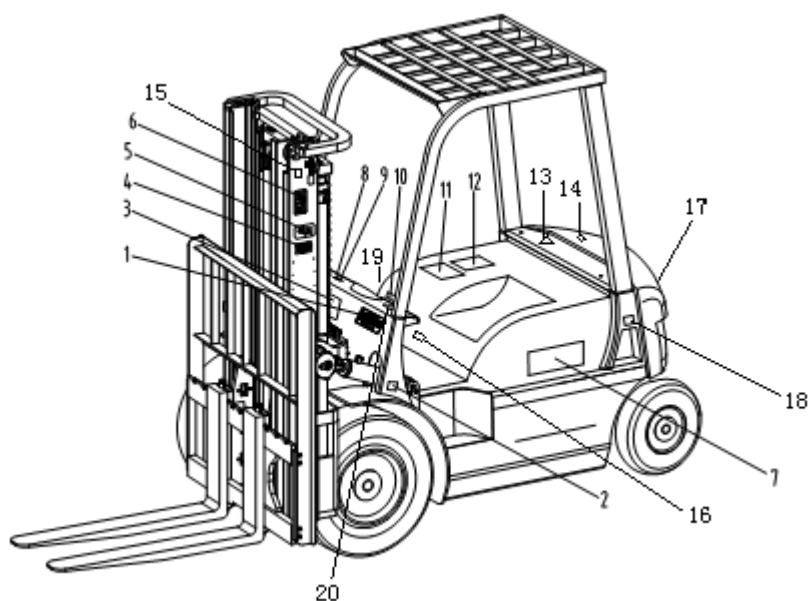


Item No.	Part No.	Part Description	Q`ty	Remark
1	GB6170	Nut <u>M8</u>	4	⑤
2	GB93	Spring Washer <u>8</u>	4	⑤
3	20XRB3210000	Nipple	1	⑤
4	JB/ZQ3777	Clip <u>35-50</u>	2	⑤
5	30XDB3200001	Basketwork <u>50×1×2000</u>	1	⑤
6	20XDB3230000	Muffler	1	⑤
7	GB5782	Bolt <u>M10×55</u>	3	⑤
8	30X3200002	Shim	3	⑤
9	30X3200003	Shim,Rubber	6	⑤
10	GB97.1	Washer <u>10</u>	3	⑤
11	GB6170	Nut <u>M10</u>	3	⑤
12	GB5783	Bolt <u>M8×25</u>	2	⑤
13	30X3200004	Clip	2	⑤
14	20XDB3200002	Pipe	1	⑤

## FORKLIFT PARTS CATALOGUE



### Decal



Item No.	Part No.	Part Description	Q`ty	Remark
1	20X0700002	Name plate	1	home
1	20X0700016	Name plate	1	Overseas
2	30X0700003	Decal, model	1	home
2	30X0700045	Decal, model	1	Overseas
3	30X0700004	Decal, hydraulic	1	home
3	30X0700017	Decal, hydraulic	1	Overseas
4	20X0700027	Decal, capacity chart	1	2t home
4	20X0700029	Decal, capacity chart	1	2t home
4	20X0700031	Decal, capacity chart	1	2t home
4	20X0700033	Decal, capacity chart	1	2t home
4	20X0700028	Decal, capacity chart	1	2t Overseas
4	20X0700030	Decal, capacity chart	1	2t Overseas
4	20X0700032	Decal, capacity chart	1	2t Overseas
4	20X0700034	Decal, capacity chart	1	2t Overseas
4	20X0700040	Decal, capacity chart	1	2.5t home
4	20X0700042	Decal, capacity chart	1	2.5t home
4	20X0700044	Decal, capacity chart	1	2.5t home
4	20X0700046	Decal, capacity chart	1	2.5t home

**DALIAN FORKLIFT CO.,LTD**

4	20X0700041	Decal, capacity chart	1	2.5tOverseas
---	------------	-----------------------	---	--------------

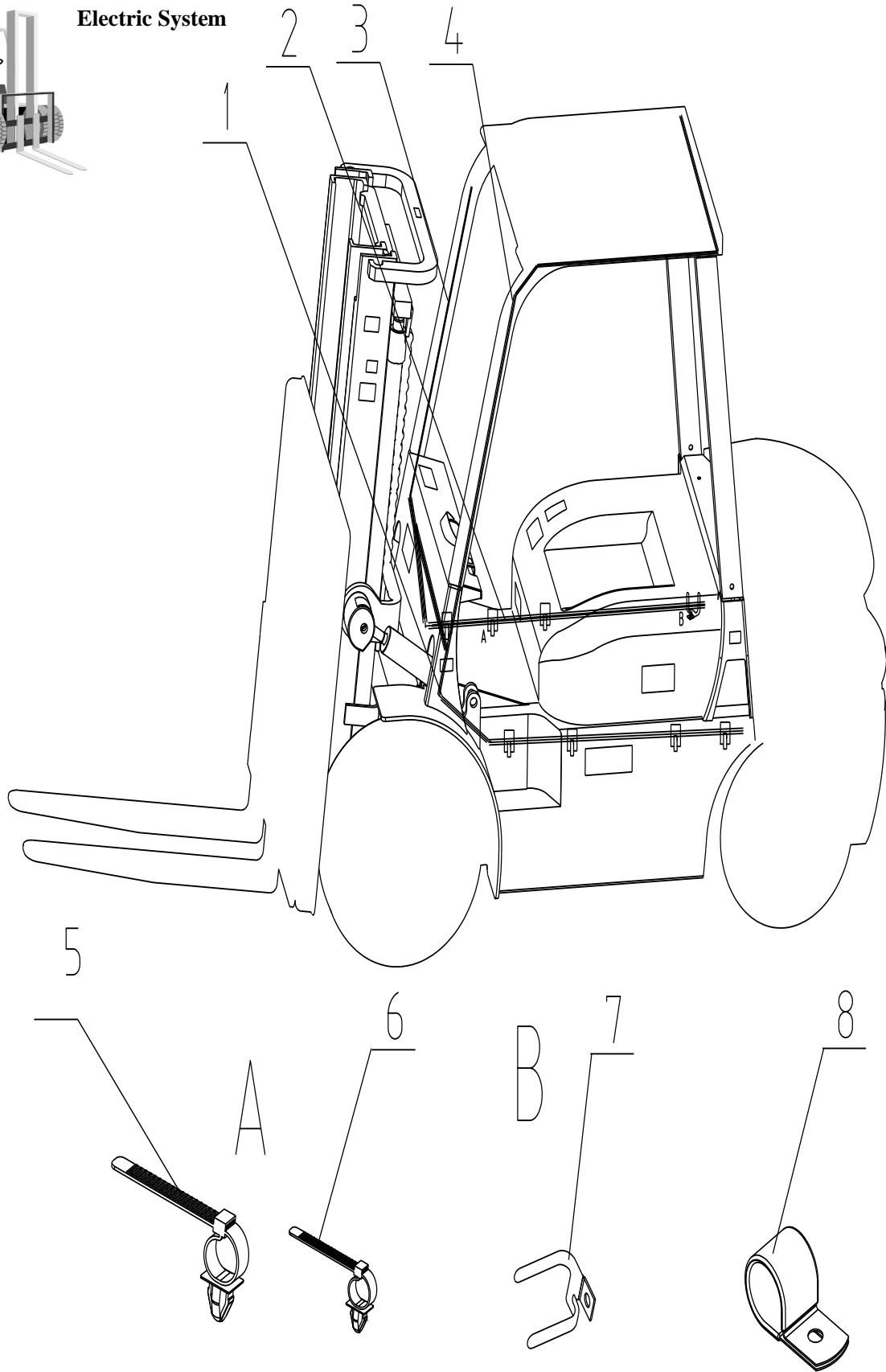
Item No.	Part No.	Part Description	Q`ty	Remark
4	20X0700043	Decal, capacity chart	1	2.5tOverseas
4	20X0700045	Decal, capacity chart	1	2.5t Overseas
4	20X0700047	Decal, capacity chart	1	2.5t Overseas
5	SB0700001	Decal	1	
5	SB0700002	Decal	1	Overseas
5	20X07000051	Decal, CE	1	Overseas
6	30X0700015	Decal, safety	1	
7	20X0700036	Decal, model	2	2thome
7	20X0700037	Decal, model	2	2t Overseas
7	20X0700038	Decal, model	2	2.5t home
7	20X0700039	Decal, model	2	2.5tOverseas
8	30X0700006	Decal, tilt	1	
9	30X0700007	Decal, lift	1	
10	30X0700014	Decal, warning	1	
11	30X0700009	Decal, driver notice	1	home
11	30X0700019	Decal, driver notice	1	Overseas
12	30X0700011	Decal, guide	1	home
12	30X0700020	Decal, guide	1	Overseas
13	100X0700016	Decal, warning	1	
14	91282-14100	Decal, warning	1	
15	15RA0700026	Decal, rise	1	
16	30X0700013	Decal, oil capability	1	home
16	30X0700047	Decal, oil capability	1	Overseas
17	60XFA070013	Decal	1	
18	30X0700010	Decal, fuel	1	
19	30X0700012	Decal, hydraulic oil	1	home
19	30X0700046	Decal, hydraulic oil	1	Overseas
20	30X0700008	Decal, direction	1	Con-type
21	GB67	Bolt <u>5×12</u>	2	
22	GB827	Rievt <u>3×6</u>	8	
23	GB12618	Rievt <u>3. 2×10</u>	4	





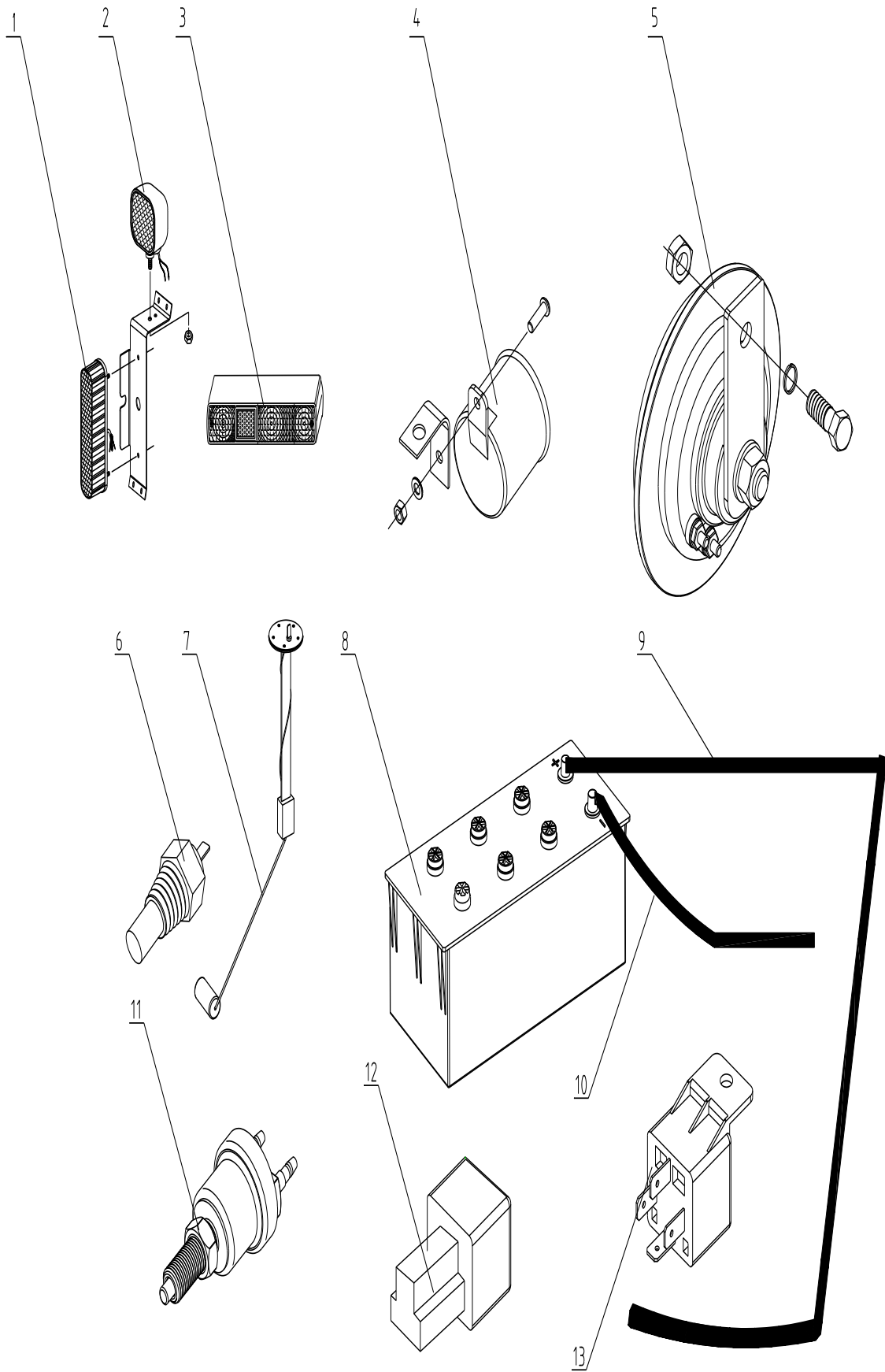


Electric System



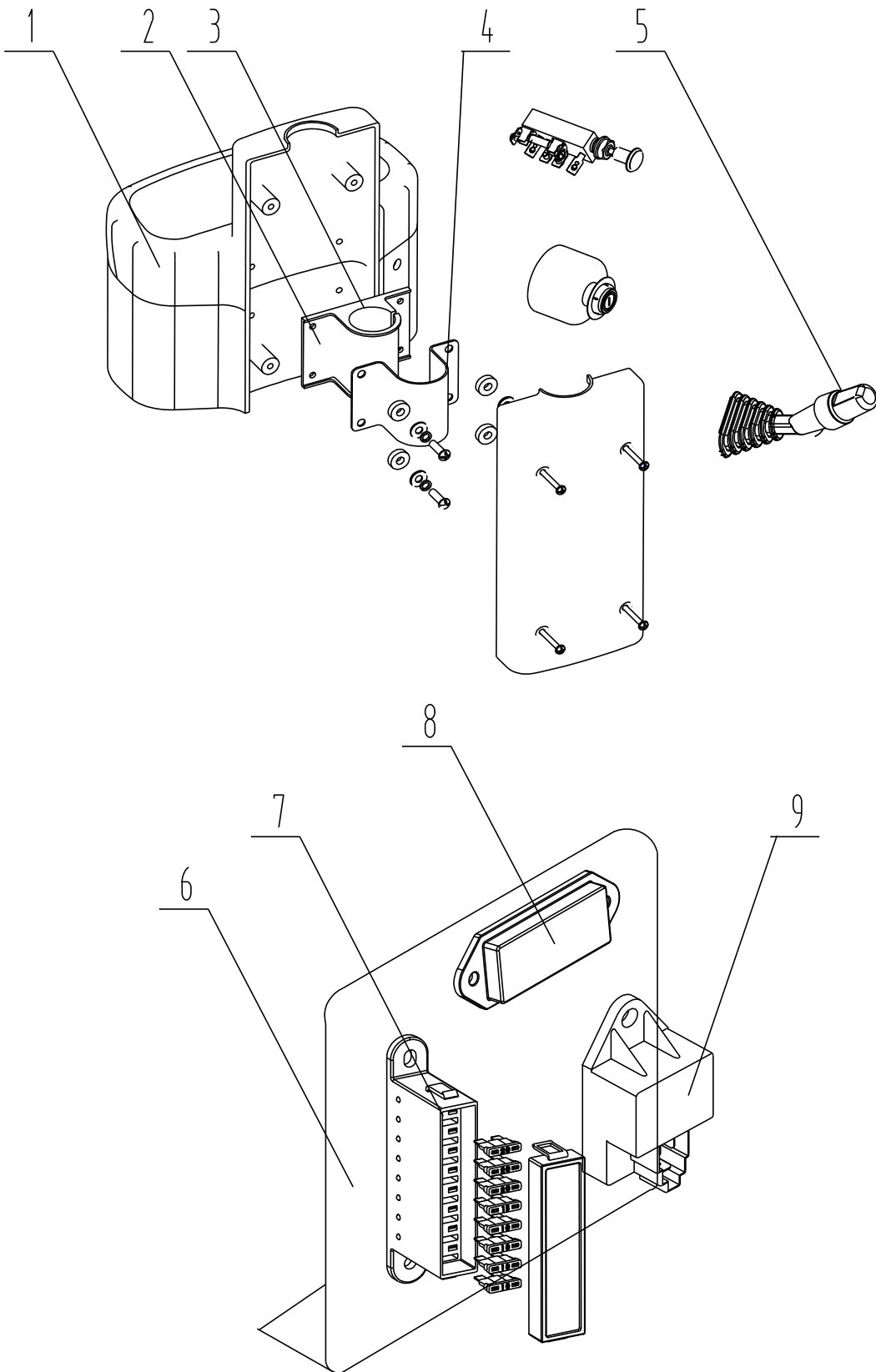
**FORKLIFT PARTS CATALOGUE**

Item No.	Part No.	Part Description	Q`ty	Remark
1	20XDB8120000	Main harness	1	CD-CB CD-DB ③
	35XEB8120000			CD-EB
	30XF1B81D20000			②
	20VFB8120000			④
	20XRB8120000			⑤
2	20XDB8110000	Right harness	1	CD-CB CD-DB ③
	35XEB8110000			CD-EB
	30XF1B81D10000			②
	20VFB8110000			④
	20XRB8110000			⑤
3	20XDB8420000	Front lamp harness R	1	
4	20XDB8410000	Overhead Guard	1	
5	XJ-20	Cincture	11	
6	ZD200×8	Cincture	5	
7	V008040013	Clip	1	
10	COM-12	Clip	1	④
	COM-15		2	⑤



**FORKLIFT PARTS CATALOGUE**

Item No.	Part No.	Part Description	Q`ty	Remark
1	QXD160X48/12V	Front Combination Lamp	2	
2	WD100X90/12V	Head Lamp	2	
3	XH8-6-1/12V	Rear Combination Lamp	2	
4	DJB-12B	Back Buzzer	1	
5	DL124G	Electric Horn	1	
6	DSW-Z3/8	Water Temp Sensor	1	①③④⑤
	DSW-M16×1.5			②
7	DFO	Fuel Sensor	1	
8	95D31Ra	Battery	1	①②③⑤
	65D31Ra			④
9	20XDB8130000	Battery cable (+)	1	①③
	15VFB81D30000			②
	20VFB8130000			④
	20XFA80A30000			⑤
10	20XDB8140000	Battery cable (-)	1	①②③
	30V80A50000			④
	30VFB815000			⑤
11	JK205A	Switch/Stop Lamp	1	
12	2.5A	Diode	2	CD-EB ②⑤
13	HG4190/012(2)-1Z9	Relay	1	CD-EB ④⑤



## FORKLIFT PARTS CATALOGUE

Item No.	Part No.	Part Description	Q`ty	Remark
1	HC-HZB115	Meter Ass'Y	1	
2	30XFA80A00002	Rubber	1	
3	30XFA80A00003	Rubber	4	
4	30XFA80A00001	Bracket	1	
5	JK804A-HC	Switch/turning and lighting	1	CD-DB CD-CB ③
	JK806AA-1-HC			CD-EB ②④⑤
6	20XDB8100001	Bracket	1	①②③⑤
	20VFB8100001			④
7	BX2081X	Fuse box	1	
8	JFT147-14B	Adjuster	1	①③
9	SG152	Flasher	1	