

# 1. 部品カタログ取扱い上のお願いおよびご注意

この部品カタログは、K 型エンジンのサービス部品を2007年9月（平成19年9月）の発売当初から収録してあります。

このカタログに記載している内容を予告なしに変更、削除及び非販売とする場合がありますのでご了承下さい。

このカタログは整備要領などを示したものではありませんのでご注意下さい。

このカタログの全部または一部についても弊社の許可なしに複写することを禁止いたします。

2008年2月版  
**日産自動車株式会社**  
産業機械事業部

## 2.収録機種

2007年式 (2007.09～ )

モデルNO.	Applid Model 表示	仕様
001	10001-GR81A	K21 型 GAS
011	10001-GR91A	K25 型 GAS
021	10001-GR91B	K25 型 GAS ATM付





# GENERAL INDEX

- A ENGINE MECHANICAL
- B FUEL & ENGINE CONTROL
- C EXHAUST & COOLING
- D ENGINE ELECTRICAL
- E BODY ELECTRICAL

- ALPHA. PART NAME INDEX
- PART NO. INDEX

# SECTION INDEX

## [A] ENGINE MECHANICAL

101A BARE & SHORT ENGINE .....	4
102A ENGINE GASKET KIT .....	6
110A CYLINDER BLOCK & OIL PAN .....	8
111A CYLINDER HEAD & ROCKER COVER .....	10
118A CRANK CASE VENTILATION .....	12
120A PISTON, CRANKSHAFT & FLYWHEEL .....	14
130A CAMSHAFT & VALVE MECHANISM .....	18
135A FRONT COVER & FITTING .....	20
140A MANIFOLD .....	22
150A LUBRICATING SYSTEM .....	24

## [B] FUEL, ENGINE & MOTOR CONTROL

160A CARBURETOR .....	28
164A FUEL STRAINER & FUEL HOSE .....	32
165A AIR CLEANER .....	34
170A FUEL PUMP .....	36
191A GOVERNOR .....	38

## [C] EXHAUST & COOLING

210A WATER PUMP, COOLING FAN & THERMOSTAT .....	42
---	----

## [D] ENGINE ELECTRICAL

220A IGNITION SYSTEM .....	46
221A DISTRIBUTOR .....	48
223A VACUUM PIPING .....	50
230A ALTERNATOR FITTING .....	52
231A ALTERNATOR .....	54
233A STARTER MOTOR .....	56

## [E] BODY ELECTRICAL

253A ELECTRICAL UNIT .....	60
----------------------------	----

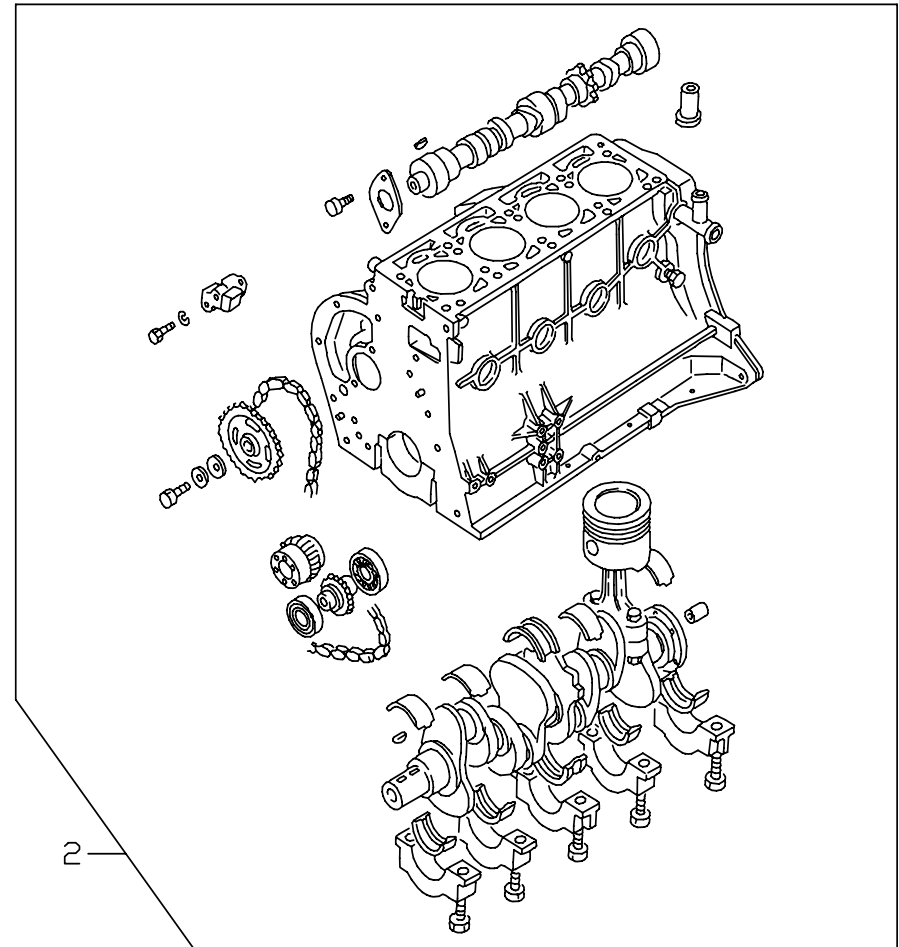
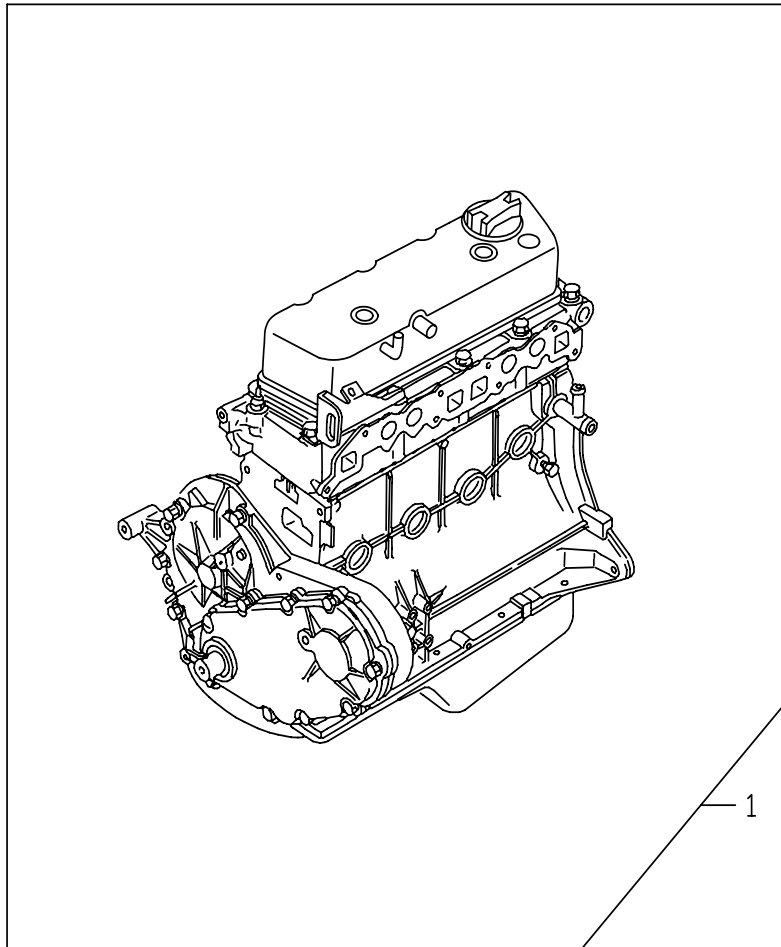
# GROUP INDEX

SEC. NO.	SECTION NAME	PAGE NO.
101A	BARE & SHORT ENGINE .....	4
102A	ENGINE GASKET KIT .....	6
110A	CYLINDER BLOCK & OIL PAN .....	8
111A	CYLINDER HEAD & ROCKER COVER .....	10
118A	CRANK CASE VENTILATION .....	12
120A	PISTON, CRANKSHAFT & FLYWHEEL .....	14
130A	CAMSHAFT & VALVE MECHANISM .....	18
135A	FRONT COVER & FITTING .....	20
140A	MANIFOLD .....	22
150A	LUBRICATING SYSTEM .....	24

A

**SEC. 101A**  
**BARE & SHORT ENGINE**

MOTOR DESNUDO Y CORTO  
MOTOR OHNE ZUBEHOR & KURZMOTOR  
MOTEUR NU ET COURT  
[200709-     ]

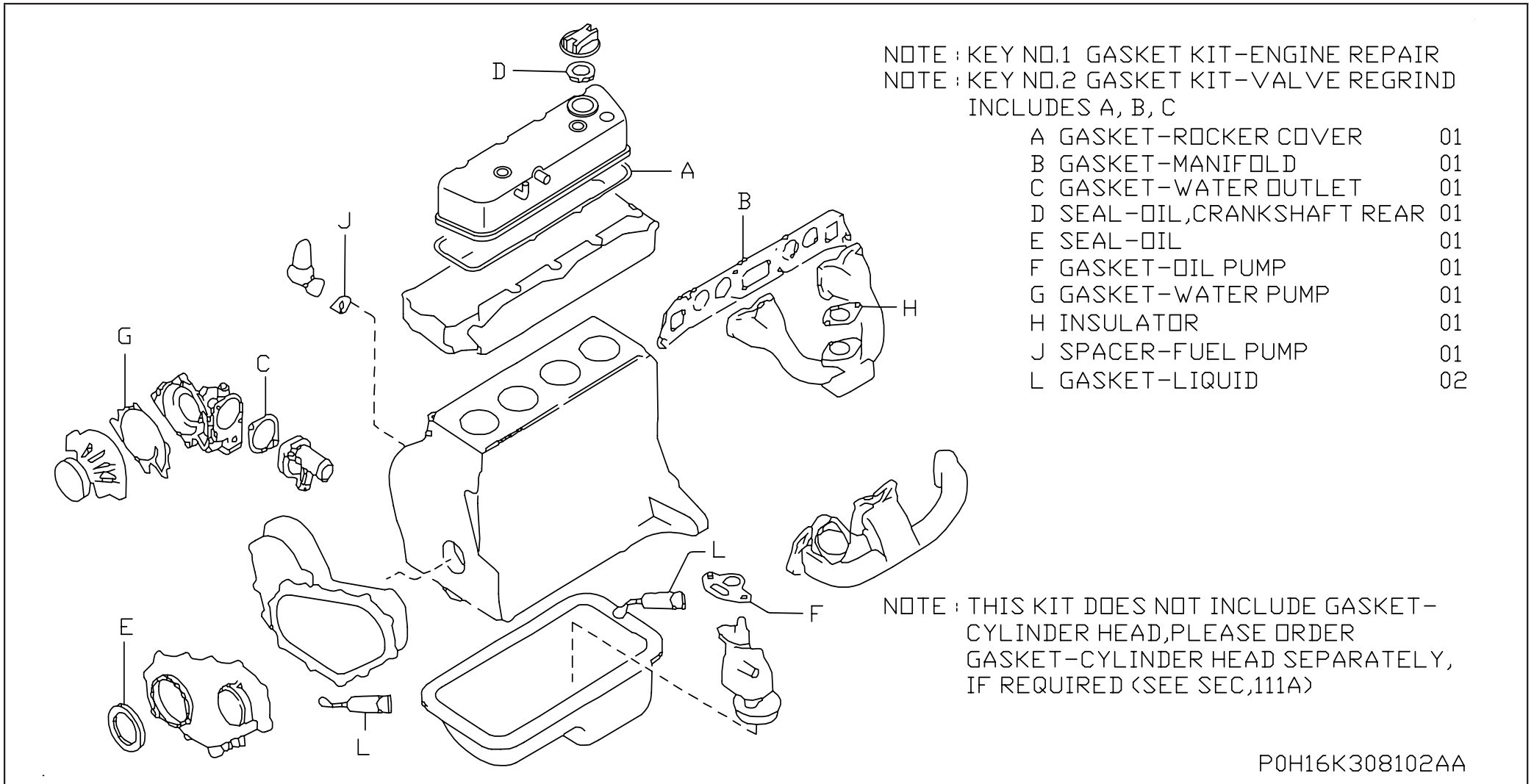


POH16K308101AA



# SEC. 102A ENGINE GASKET KIT

JUEGO DE EMPAQUETADURAS DEL MOTOR  
MOTORDICHTUNGSSATZ  
JEU DE JOINTS DE MOTEUR  
[200709- ]



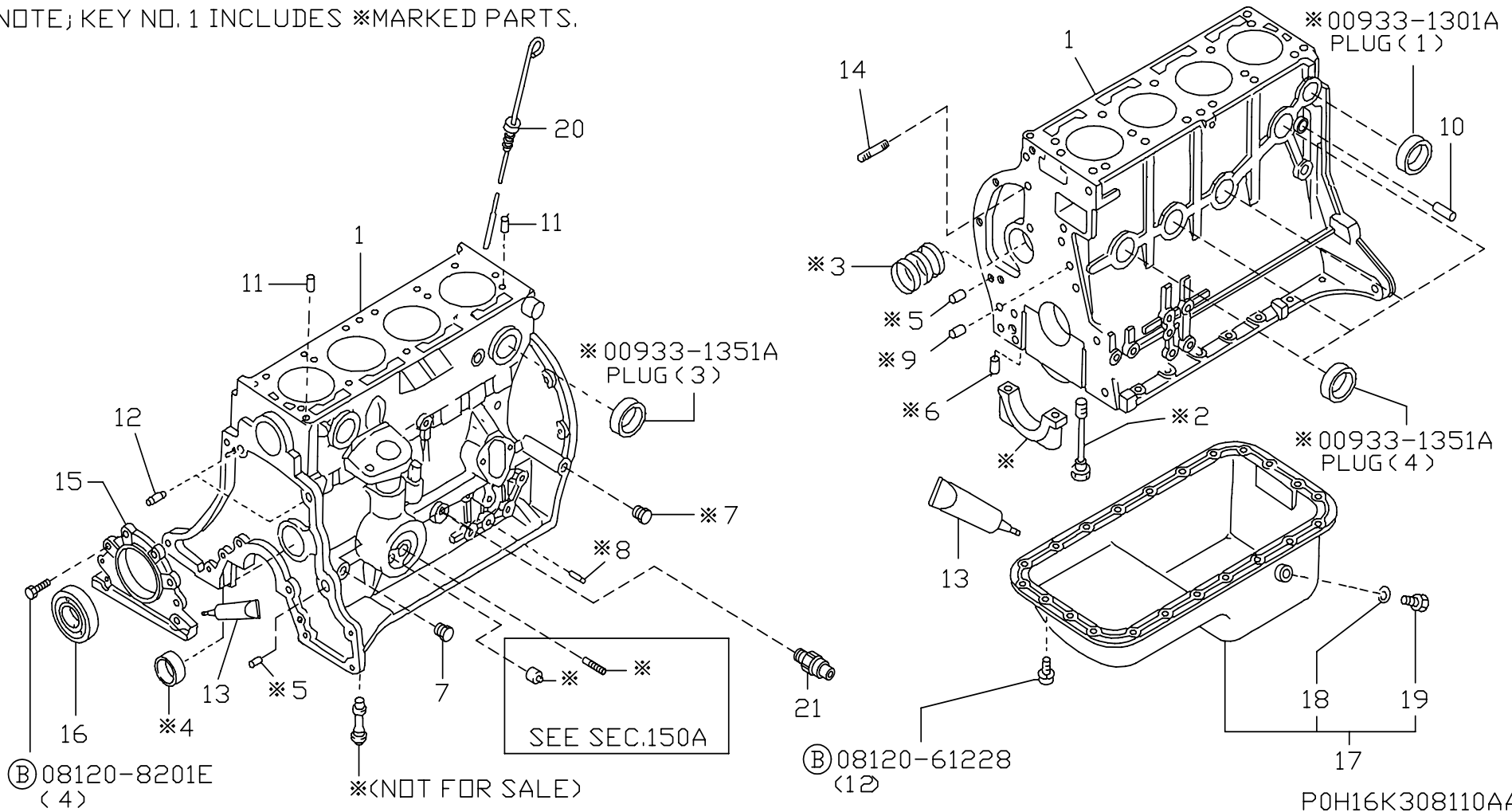
P0H16K308102AA



# SEC. 110A CYLINDER BLOCK & OIL PAN

BLOQUE DE CILINDROS Y COLECTOR DE ACEITE  
 ZYLINDERBLOCK & OLWANNE  
 BLOC-CYLINDRES ET CARTER INFERIEUR  
 [200709- ]

NOTE; KEY NO. 1 INCLUDES \*MARKED PARTS.

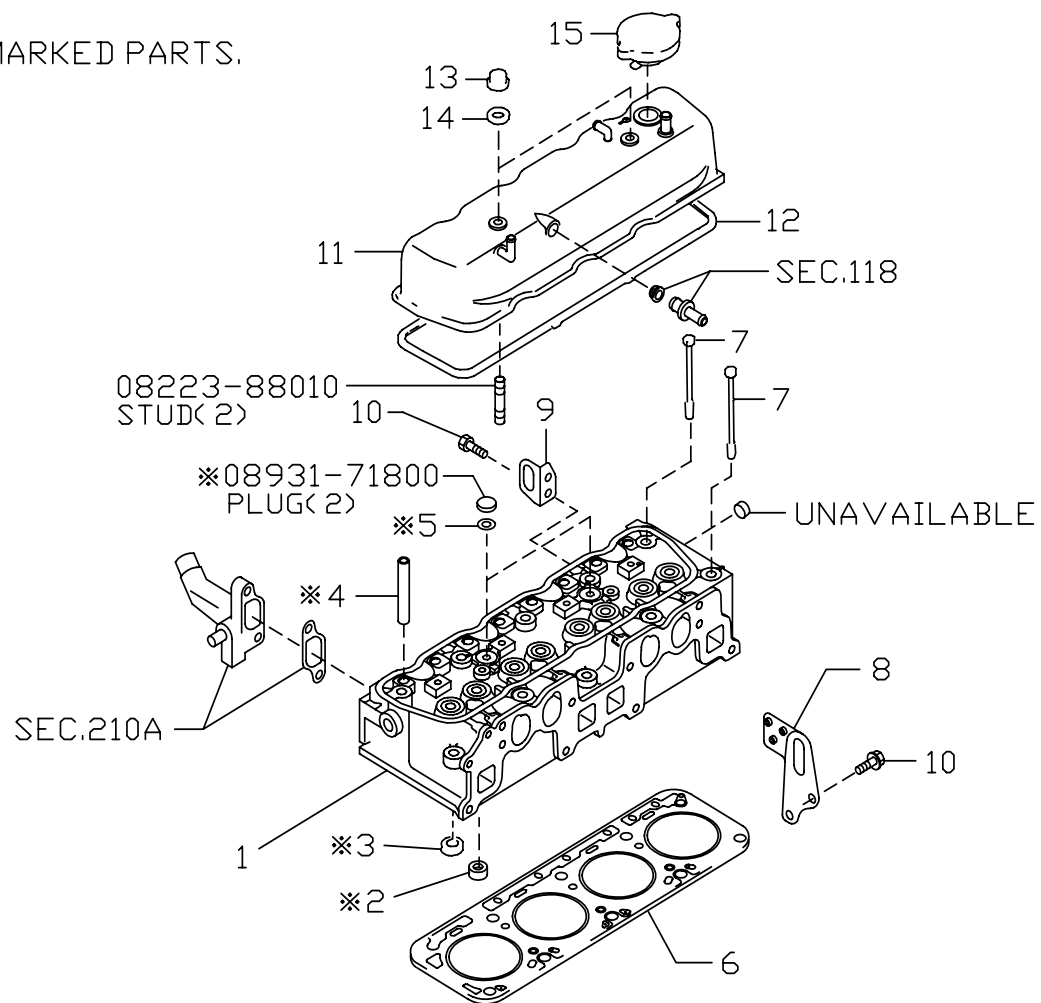




# SEC. 111A CYLINDER HEAD & ROCKER COVER

CULATA Y CUBIERTA DEL BALANCIN  
ZYLINDERKOPF & VENTILDECKEL  
CULASSE ET CACHE-CULBUTEURS  
[200709- ]

NOTE; KEY NO. 1 INCLUDES \*MARKED PARTS.



P0H16K308111AA

# SEC. 111A

## CYLINDER HEAD & ROCKER COVER

CULATA Y CUBIERTA DEL BALANCIN

ZYLINDERKOPF & VENTILDECKEL

CULASSE ET CACHE-CULBUTEURS

APPLIED MODEL																																														
1	0	0	0	1	1	0	0	1	1	1	1	1	1	1	1	1	1	1	1	2	2	2	2	2	2	3	3	3	3	3	3	3	3	4												
GR	8	1	A																	GR	9	1	A																							
1	0	0	0	1	1	0	0	1	1	0	0	1	1	1	1	1	1	1	1	2	2	2	2	2	2	3	3	3	3	3	3	3	3	4												
0	1	2	3	4	5	6	7	8	9	0	1	1	2	3	4	5	6	7	8	9	0	1	2	3	4	5	6	7	8	9	0	1	2	3	4											
○																				○																										
○																				○																										
○																				○																										
○																				○																										
○																				○																										
○																				○																										
○																				○																										
○																				○																										
○																				○																										
○																				○																										
○																				○																										

S	KEY NO.	LEV	PART NO.	PART NAME	SPECIFICATION	QTY	APPLIED DATE	ICAF	FORMER PART NO.
	1	001	11040-FY501	HEAD ASSY-CYLINDER		01	0709-		
	2	001	11098-FY500	SEAT-VALVE,INTAKE		04	0709-		
	3	001	11099-FY500	SEAT-VALVE,EXHAUST		04	0709-		
	4	001	13212-FY500	GUIDE-INLET VALVE		08	0709-		
	5	001	11026-53J00	GASKET		02	0709-		
	6	001	11044-FU400	GASKET-CYLINDER HEAD		01	0709-		
	7	001	11056-FY500	BOLT-CYLINDER HEAD		10	0709-		
	8	001	10005-FU410	SLINGER-ENGINE,FRONT		01	0709-		
	9	001	10006-FU410	SLINGER-ENGINE,REAR		01	0709-		
	10	001	01121-05351	BOLT-SLINGER		04	0709-		
	11	001	13264-FU40A	COVER ASSY-VALVE ROCKER		01	0709-		
	12	001	13270-FY50A	GASKET-ROCKER COVER		01	0709-		
	13	001	13274-B1101	NUT-CAP		02	0709-		
	14	001	13268-88V62	WASHER		02	0709-		
	15	001	15255-1P110	CAP ASSY-OIL FILLER		01	0709-		





# SEC. 120A

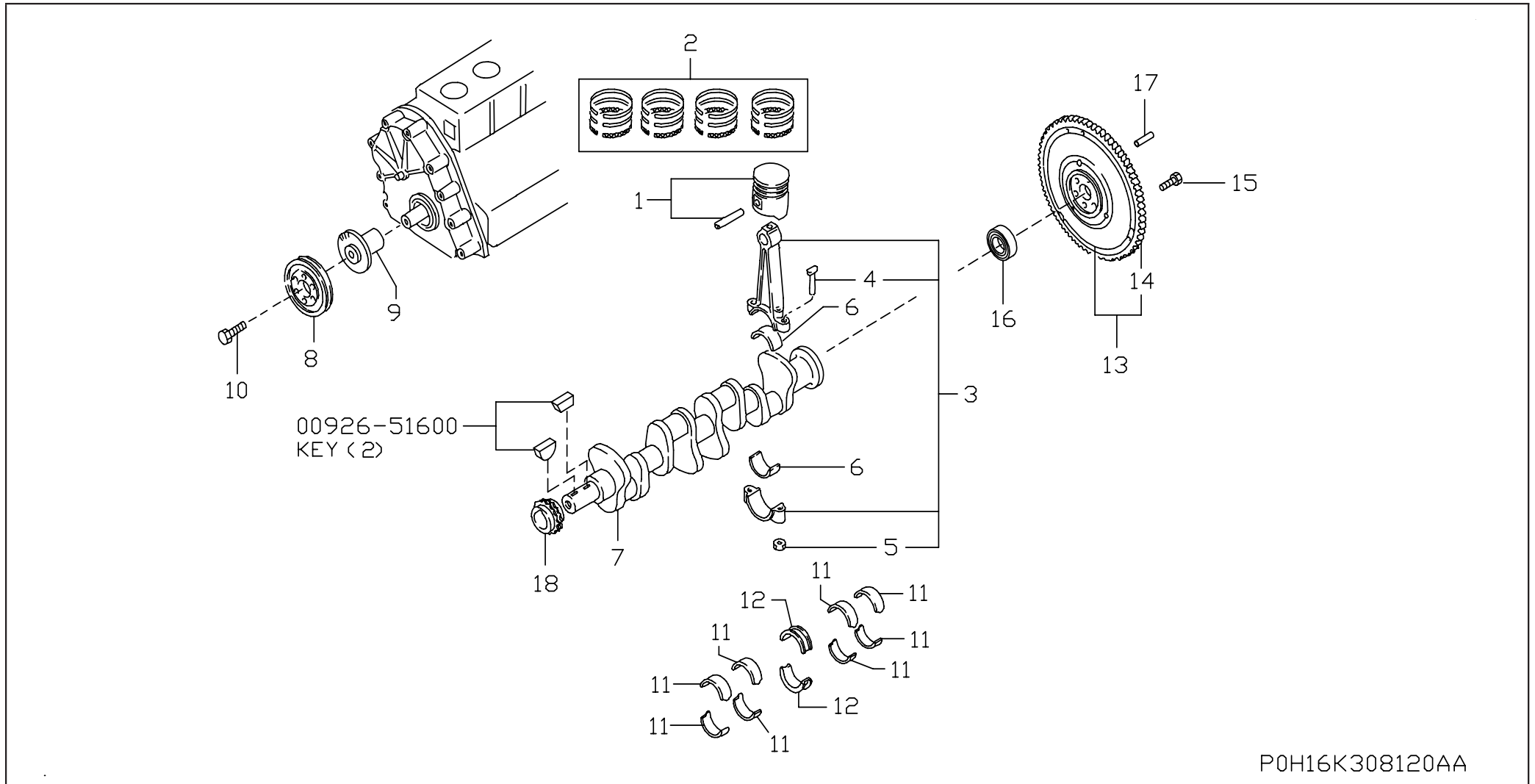
## PISTON,CRANKSHAFT & FLYWHEEL

PISTON,CIGUENAL Y VOLANTE MOTOR

KOLBEN,KURBELWELLE & SCHWUNGRAD

PISTON,VILEBREQUIN ET VOLANT

[200709- ]



P0H16K308120AA

# SEC. 120A

## PISTON,CRANKSHAFT & FLYWHEEL

PISTON,CIGUENAL Y VOLANTE MOTOR  
 KOLBEN,KURBELWELLE & SCHWUNGRAD  
 PISTON,VILEBREQUIN ET VOLANT

APPLIED MODEL																																							
10001 GR81A										10001 GR91A										10001 GR91B																			
1	2	3	4	5	6	7	8	9	0	1	2	3	4	5	6	7	8	9	0	1	2	3	4	5	6	7	8	9	0	1	2	3	4	5	6	7	8	9	0
○										○										○										○									

S	KEY NO.	LEV	PART NO.	PART NAME	SPECIFICATION	QTY	APPLIED DATE	ICANF	FORMER PART NO.
1	001	1	12010-GS00A	PISTON,W/PIN	GRADE 1	04	0709-		
	002	1	-GS00B		GRADE 2	04	0709-		
	003	1	-GS00C		GRADE 3	04	0709-		
	004	1	-GS00D		GRADE 4	04	0709-		
	005	1	-GS00E		GRADE 5	04	0709-		
	006	1	-GS07A		OS=0.50	04	0709-		
	007	1	-GS07B		OS=1.00	04	0709-		
	008	1	-GS10A		GRADE 1	04	0709-		
	009	1	-GS10B		GRADE 2	04	0709-		
	010	1	-GS10C		GRADE 3	04	0709-		
	011	1	-GS10D		GRADE 4	04	0709-		
	012	1	-GS10E		GRADE 5	04	0709-		
	013	1	-GS17A		OS=0.50	04	0709-		
	014	1	-GS17B		OS=1.00	04	0709-		
2	001	1	12033-AE003	RING SET-PISTON	STD	01	0709-		
	002	1	12036-GS00A		OS=0.50	01	0709-		
	003	1	12038-GS00B		OS=1.00	01	0709-		
3	001	1	12100-FU400	ROD COMPL-CONNECTING		04	0709-		
	002	1	-FY500			04	0709-		
4	001	2	12109-D0210	BOLT-CONNECTING ROD		08	0709-		
5	001	2	12112-H1000	NUT-CONNECTING ROD		08	0709-		
6	001	1	12111-FY500	BEARING-CONNECTING ROD	STD	08	0709-		
	002	1	12117-FY500		US=0.08	08	0709-		
	003	1	12118-FY500		US=0.12	08	0709-		
	004	1	12119-FY500		US=0.25	08	0709-		
7	001	1	12201-FU400	CRANKSHAFT ASSY		01	0709-		
	002	1	-FY500			01	0709-		
8	001	1	12303-FU400	PULLEY-CRANKSHAFT		01	0709-		
9	001	1	12307-FU40A	WEDGE-CRANK PULLEY		01	0709-		
10	001	1	12309-FU400	BOLT-FIX,PULLEY CRANK		01	0709-		
11	001	1	12231-FY500	BEARING,MAIN INTER	STD	08	0709-		
	002	1	12232-FY500		US=0.02	08	0709-		
	003	1	12233-FY500		US=0.25	08	0709-		
	004	1	12234-FY500		US=0.50	08	0709-		
	005	1	12235-FY500		US=0.75	08	0709-		
	006	1	12236-FY500		US=1.00	08	0709-		
12	001	1	12247-50K00	BEARING-MAIN,CENTER	STD	02	0709-		
	002	1	12248-50K00		US=0.02	02	0709-		
	003	1	12249-50K00		US=0.25	02	0709-		
	004	1	12250-50K00		US=0.50	02	0709-		

# SEC. 120A

## PISTON,CRANKSHAFT & FLYWHEEL

PISTON,CIGUENAL Y VOLANTE MOTOR  
 KOLBEN,KURBELWELLE & SCHWUNGRAD  
 PISTON,VILEBREQUIN ET VOLANT

APPLIED MODEL																																								
1	0	0	0	0	0	0	0	0	0	1	1	1	1	1	1	1	1	1	1	2	2	2	2	2	2	2	2	3	3	3	3	3	3	3	3	3	4			
0	1	2	3	4	5	6	7	8	9	0	1	2	3	4	5	6	7	8	9	0	1	2	3	4	5	6	7	8	9	0	1	2	3	4	5	6	7	8	9	0
1	0	0	0	0	0	0	0	0	0	1	1	1	1	1	1	1	1	1	1	2	2	2	2	2	2	2	2	3	3	3	3	3	3	3	3	3	4			
G	R	8	1	A																																				

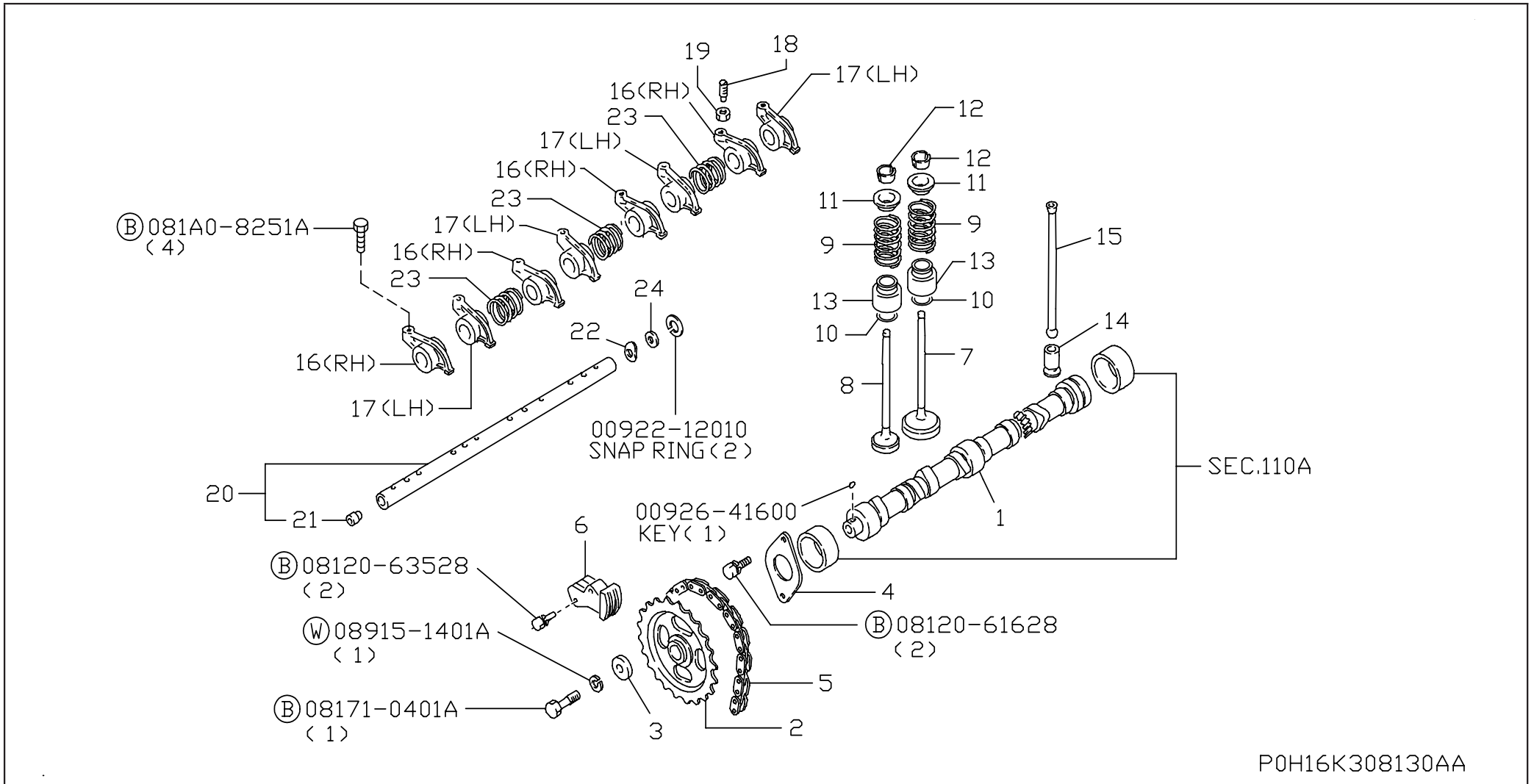
S	KEY NO.	LEV	PART NO.	PART NAME	SPECIFICATION	QTY	APPLIED DATE	ICAF	FORMER PART NO.
	12	005	1	12251 - 50K00	BEARING-MAIN, CENTER		02 0709 -		
		006	1	12252 - 50K00			02 0709 -		
	13	001	1	12310 - K9600	FLYWHEEL ASSY		01 0709 -		
		002	1	- GY360			01 0709 -		
	14	001	2	12312 - 50K00	GEAR - RING		01 0709 -		
	15	001	1	12315 - 58S00	BOLT - FLYWHEEL		06 0709 -		
		002	1	- 21001			06 0709 -		
	16	001	1	32203 - FU400	BEARING - BALL		01 0709 -		
	17	001	1	12313 - 10600	DOWEL - PIN		02 0709 -		
	18	001	1	13021 - FY500	SPROCKET - CRANKSHAFT		01 0709 -		



# SEC. 130A

## CAMSHAFT & VALVE MECHANISM

ARBOL DE LEVAS Y MECANISMO DE VALVULAS  
 NOCKENWELLE & VENTILMECHANISMUS  
 ARBRE A CAMES ET DISTRIBUTION  
 [200709- ]

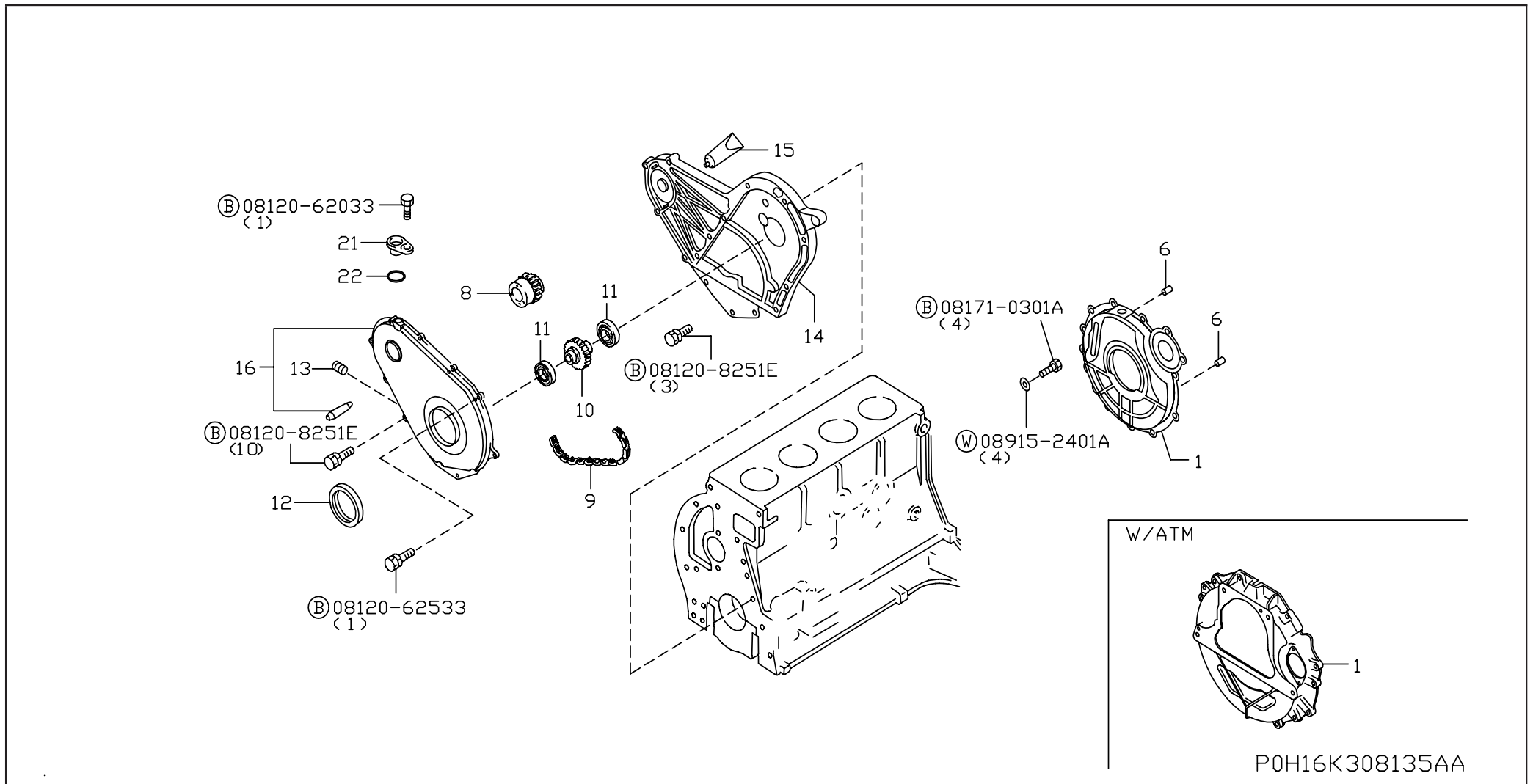




# SEC. 135A

## FRONT COVER & FITTING

CUBIERTA DELANTERA Y PARTES DE FIJACION  
 VORDERABDECKUNG & BESCHLAGTEILE  
 COUVERCLE AVANT ET PIECES DE FIXATION  
 [200709- ]



# SEC. 135A FRONT COVER & FITTING

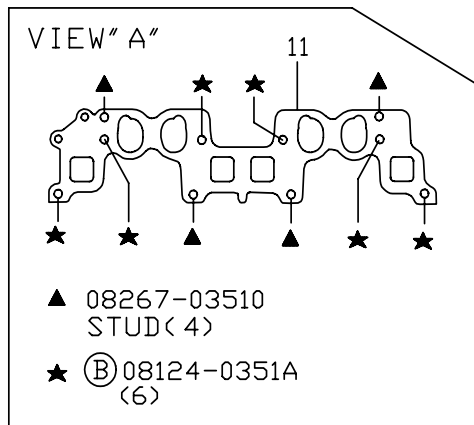
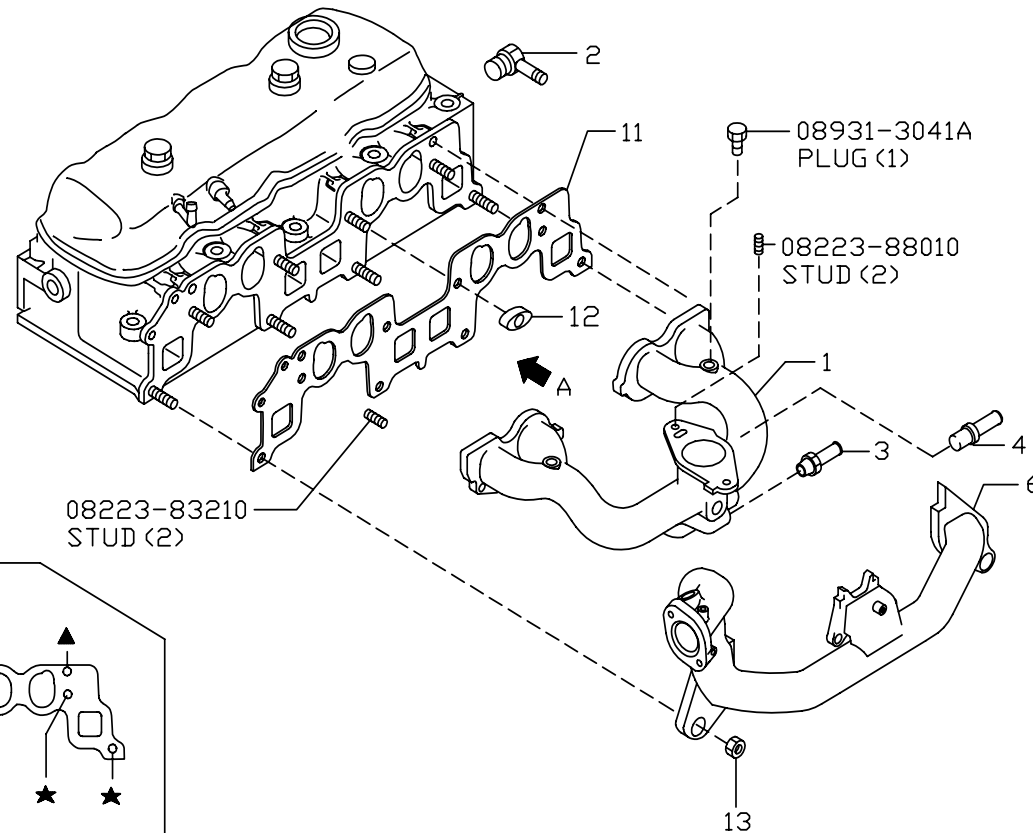
CUBIERTA DELANTERA Y PARTES DE FIJACION  
VORDERABDECKUNG & BESCHLAGTEILE  
COUVERCLE AVANT ET PIECES DE FIXATION

APPLIED MODEL																													
10001 GR81A										10001 GR91A										10001 GR91B									
01	02	03	04	05	06	07	08	09	10	11	12	13	14	15	16	17	18	19	20	21	22	23	24	25	26	27	28	29	30
○										○										○									
																				○									
										○										○									
										○										○									
										○										○									
										○										○									
										○										○									
										○										○									
										○										○									
										○										○									
										○										○									

S	KEY NO.	LEV	PART NO.	PART NAME	SPECIFICATION	QTY	APPLIED DATE	ICAF	FORMER PART NO.
	1 001 1		12320-50K20	PLATE-ENGINE, REAR		01	0709-		
	002 1		-50K00			01	0709-		
	6 001 1		30413-61700	PIN-DOWEL		02	0709-		
	8 001 1		12351-FU400	SPROKET-PTO DRIVE		01	0709-		
	9 001 1		12352-FU400	CHAIN-PTO		01	0709-		
	10 001 1		12353-FU400	SPROKET-PTO DRIVEN		01	0709-		
	11 001 1		12354-50K00	BEARING-SPROKET PTO, DRIVEN		02	0709-		
	12 001 1		13510-FF200	SEAL-OIL, CRANKSHAFT FRONT		01	0709-		
	13 001 1		11046-73402	DOWEL		01	0709-		
	14 001 1		13034-FU400	HOUSING-TIMING CHAIN		01	0709-		
	15 001 1		KP710-00150	GASKET-LIQUID		AR	0709-		
	16 001 1		13501-FU400	COVER-FRONT		01	0709-		
	21 001 1		11051-FU400	PLUG		01	0709-		
	22 001 1		22131-4M505	SEAL-O RING		01	0709-		

# SEC. 140A MANIFOLD

MULTIPLE  
KRUMMER  
COLLECTEUR  
[200709- ]

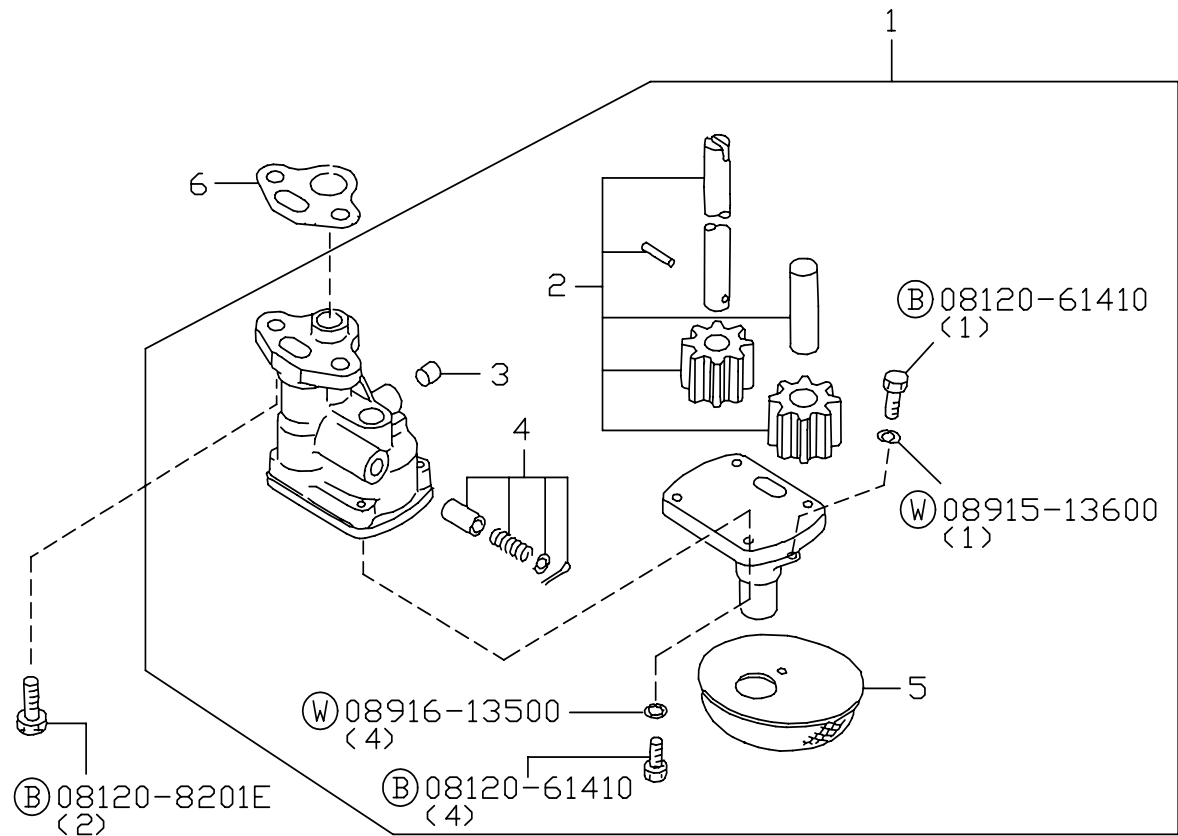
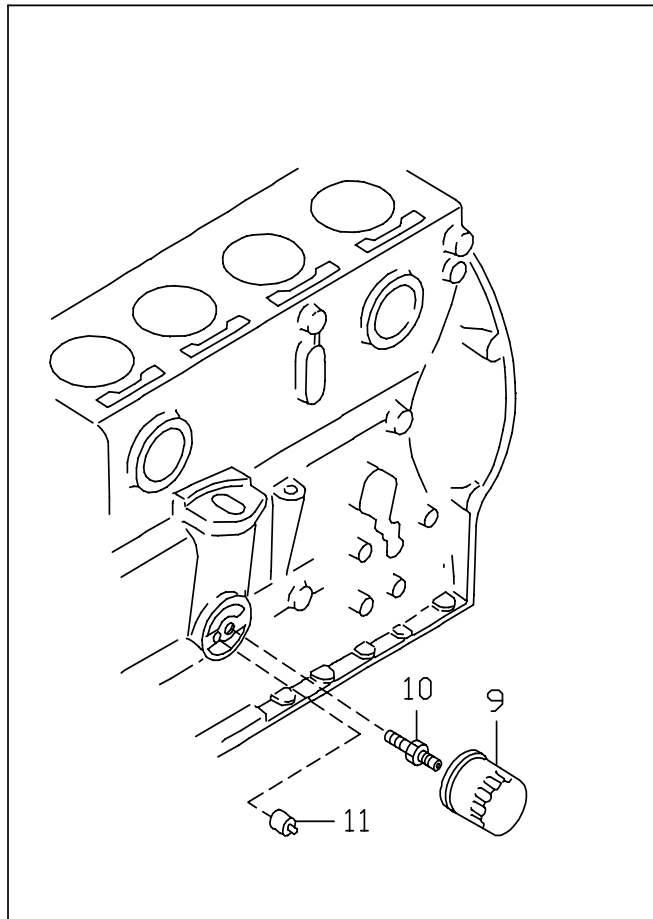


P0H16K308140AA



# SEC. 150A LUBRICATING SYSTEM

SISTEMA DE LUBRICACION  
ABSCHMIERSYSTEM  
CIRCUIT DE GRAISSAGE  
[200709- ]



P0H16K308150AA





# GROUP INDEX

SEC. NO.	SECTION NAME	PAGE NO.
160A	CARBURETOR .....	28
164A	FUEL STRAINER & FUEL HOSE .....	32
165A	AIR CLEANER .....	34
170A	FUEL PUMP .....	36
191A	GOVERNOR .....	38

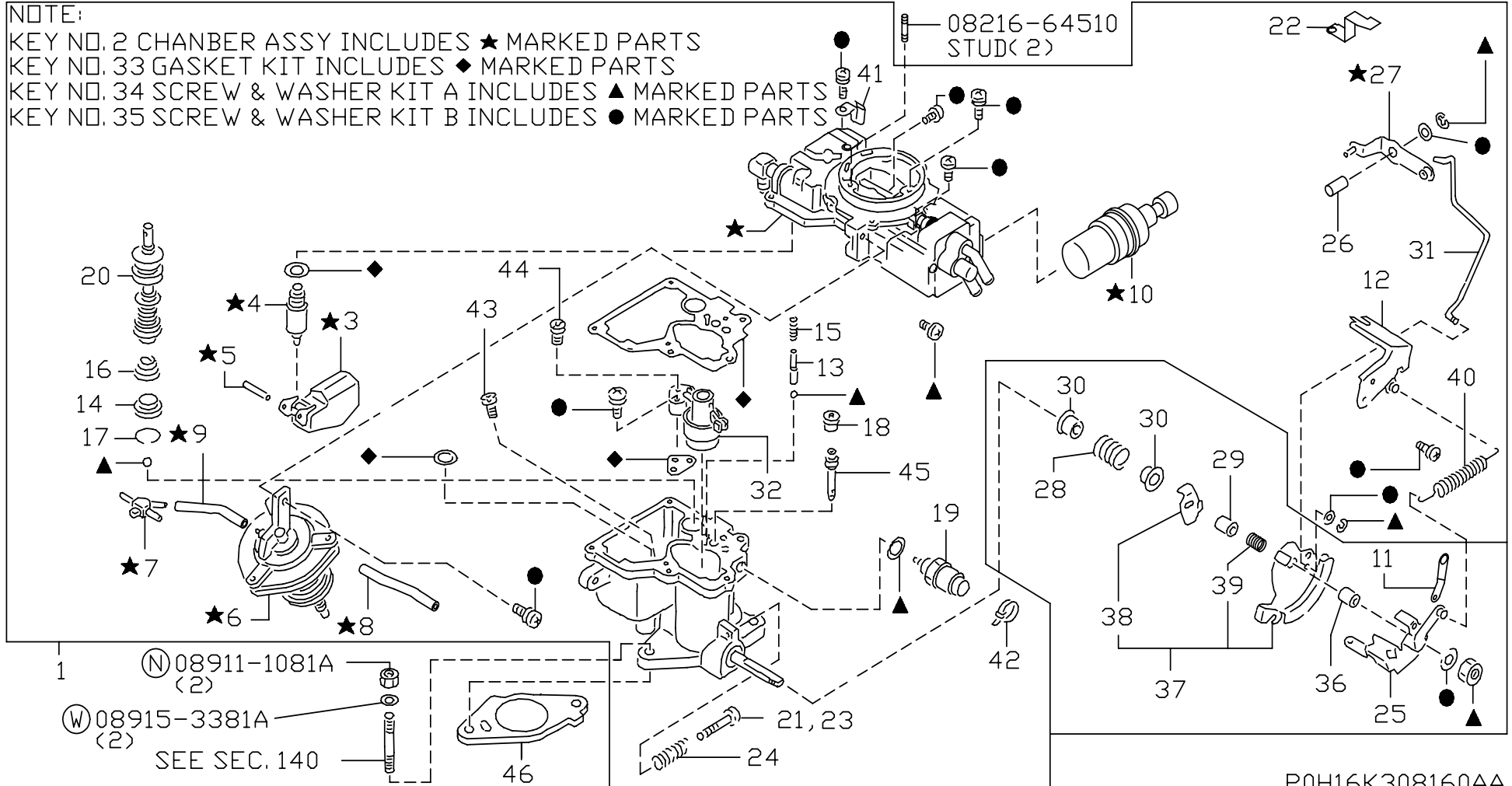
**B**

# SEC. 160A CARBURETOR

CARBURADOR  
VERGASER  
CARBURATEUR  
[200709- ]

**NOTE:**

KEY NO. 2 CHAMBER ASSY INCLUDES ★ MARKED PARTS  
 KEY NO. 33 GASKET KIT INCLUDES ◆ MARKED PARTS  
 KEY NO. 34 SCREW & WASHER KIT A INCLUDES ▲ MARKED PARTS  
 KEY NO. 35 SCREW & WASHER KIT B INCLUDES ● MARKED PARTS



P0H16K308160AA



**SEC. 160A  
CARBURETOR**

**CARBURADOR  
VERGASER  
CARBURATEUR**

APPLIED MODEL																																																	
										10001 GR81A																		10001 GR91B																					
S	KEY NO.	LEV	PART NO.	PART NAME	SPECIFICATION	QTY	APPLIED DATE	ICAF	FORMER PART NO.	01	02	03	04	05	06	07	08	09	10	11	12	13	14	15	16	17	18	19	20	21	22	23	24	25	26	27	28	29	30	31	32	33	34	35	36	37	38	39	40
	36	001	2	16116-66L05	SLEEVE		01 0709-			○																																							
	37	001	2	16134-FF100	LEVER-THROTTLE		01 0709-			○																																							
	38	001	3	16227-FF100	LEVER-1ST ADJUST		01 0709-			○																																							
	39	001	3	16193-FF100	SPRING-THROTTLE ADJUST SCREW		01 0709-			○																																							
	40	001	2	16160-85G60	SPRING-THROTTLE RETURN		01 0709-			○																																							
	41	001	2	16187-50K00	HOLDER-HARNESS		01 0709-			○																																							
	42	001	2	16138-55K00	CLAMP		01 0709-			○																																							
	43	001	2	16033-FU400	JET-MAIN		01 0709-			○																																							
			002	-FU500			01 0709-																																										
	44	001	2	16036-50K00	BLEED-MAIN AIR		01 0709-			○																																							
	45	001	2	16054-20J00	JET-SLOW		01 0709-			○																																							
			002	-60K00			01 0709-																																										
	46	001	1	16174-FU400	INSULATOR-CARB		01 0709-			○																																							

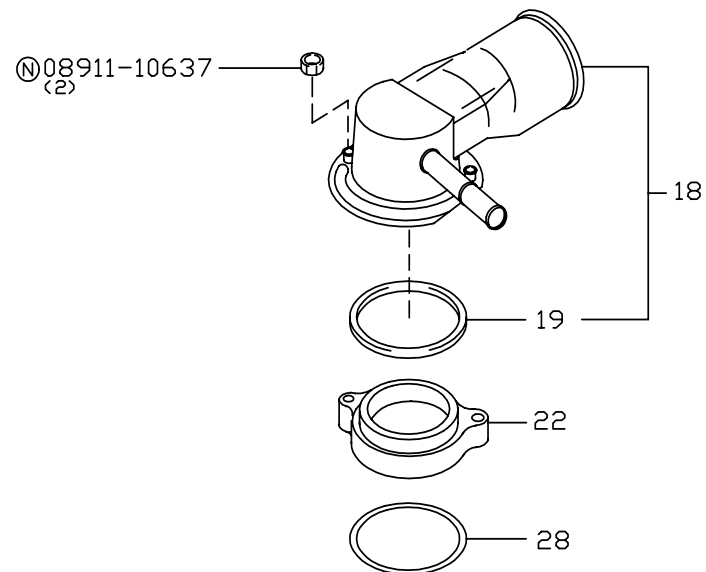






**SEC. 165A**  
**AIR CLEANER**

FILTRO DE AIRE  
LUFTFILTER  
FILTRE A AIR  
[200709- ]

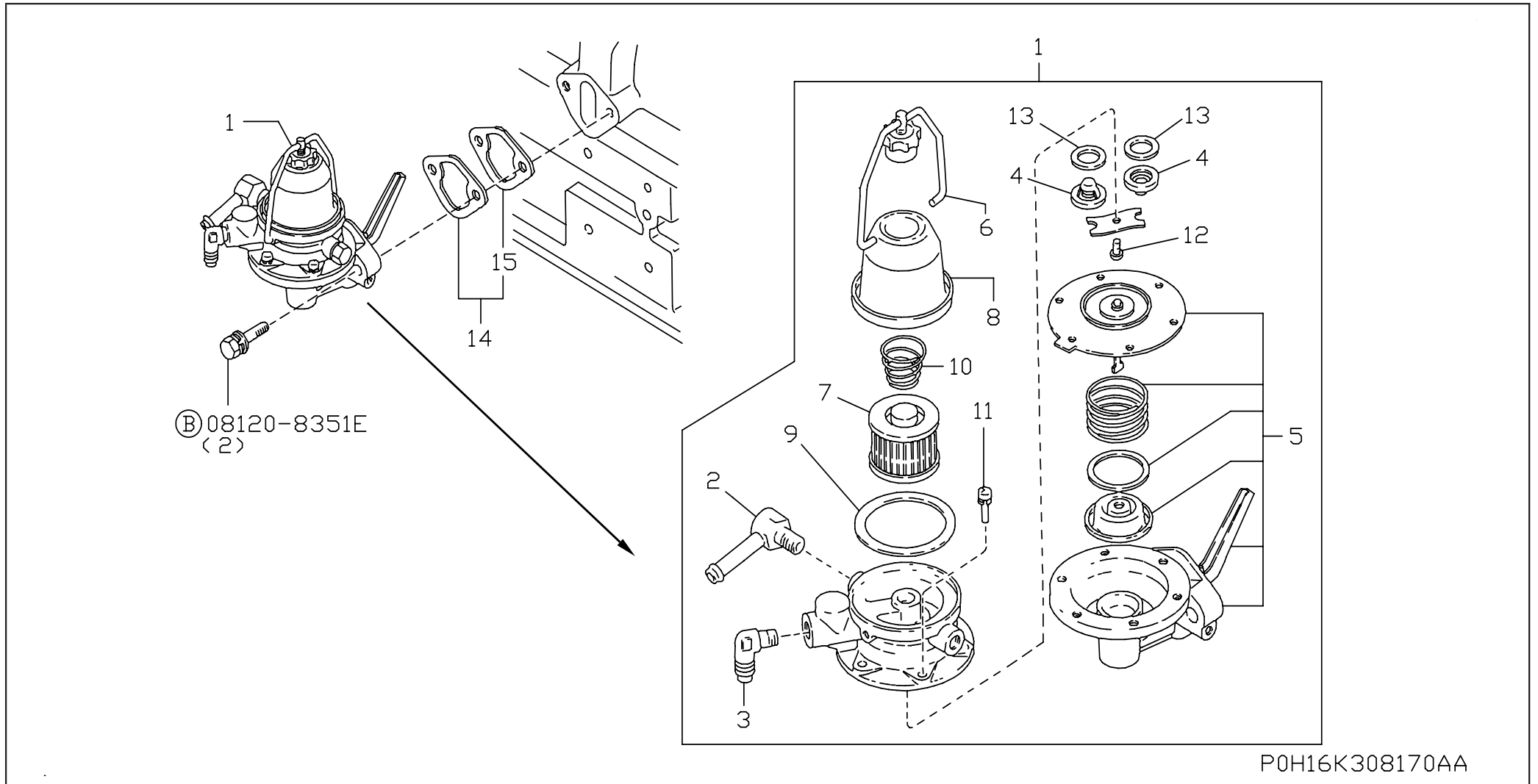


P0H16K308165AA



# SEC. 170A FUEL PUMP

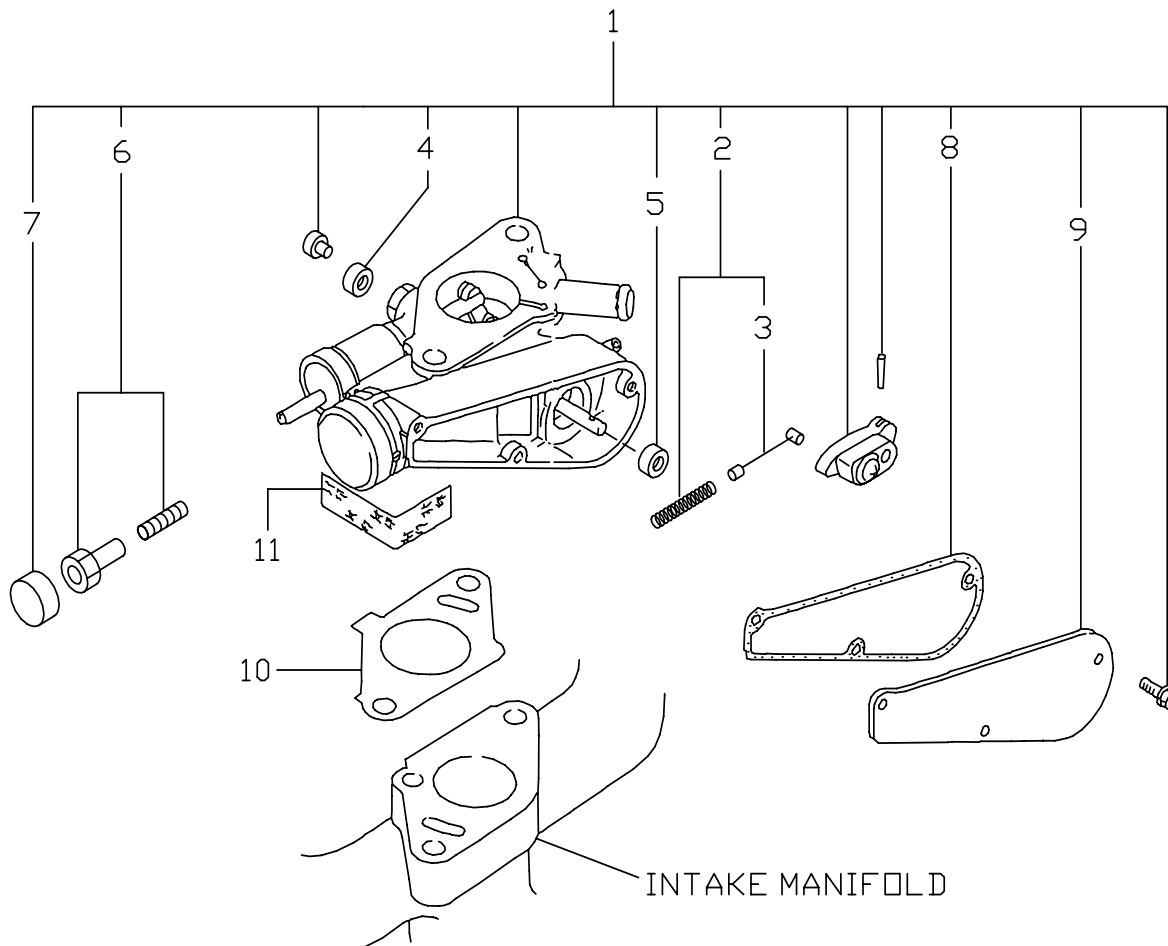
BOMBA DE COMBUSTIBLE  
KRAFTSTOFFPUMPE  
POMPE D'ALIMENTATION  
[200709- ]





**SEC. 191A**  
**GOVERNOR**

REGULADOR  
REGLER  
REGULATEUR  
[200709- ]



P0H16K308191AA

**SEC. 191A  
GOVERNOR**

**REGULADOR  
REGLER  
REGULATEUR**

APPLIED MODEL																																																	
										1 0 0 0 1 G R 8 1 A											1 0 0 0 1 G R 9 1 A									1 0 0 0 1 G R 9 1 B																			
S	KEY NO.	LEV	PART NO.	PART NAME	SPECIFICATION	QTY	APPLIED DATE	ICAF	FORMER PART NO.	01	02	03	04	05	06	07	08	09	10	11	12	13	14	15	16	17	18	19	20	21	22	23	24	25	26	27	28	29	30	31	32	33	34	35	36	37	38	39	40
	1	001	1	19100-FU400	GOVERNOR ASSY-PNEUMATIC		01 0709-			○																																							
		002	1	-GR11A			01 0709-													○																				○									
	2	001	2	19110-50K10	BAND ASSY-CAM		01 0709-			○																																							
		002	2	-60K10			01 0709-																																										
	3	001	3	19110-50K00	WIRE-CAM BAND		01 0709-			○																																							
	4	001	2	19217-00H00	BEARING-BALL		01 0709-			○																																							
	5	001	2	19217-00H20	BEARING-BALL		01 0709-			○																																							
	6	001	2	19244-50K00	SCREW-ADJUSTER		01 0709-			○																																							
	7	001	2	19206-50K01	CAP-GOVERNOR		01 0709-			○																																							
	8	001	2	19253-50K02	GASKET-COVER		01 0709-			○																																							
	9	001	2	19240-50K00	COVER-GOVERNOR		01 0709-			○																																							
	10	001	1	16174-50K00	INSULATOR-CARB		01 0709-			○																																							
	11	001	1	22235-U7400	SEAL-GOVERNOR		01 0709-			○																																							



# GROUP INDEX

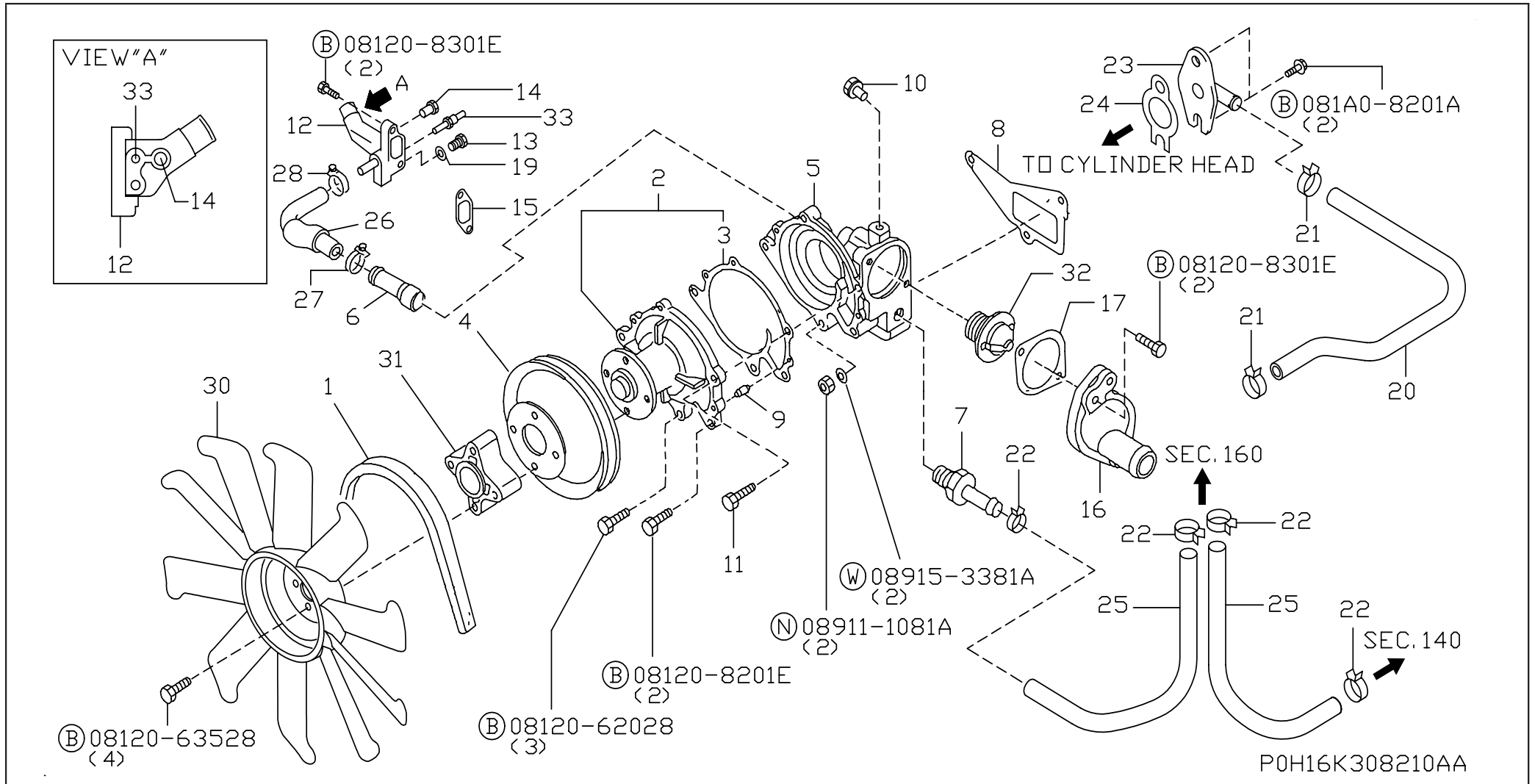
SEC. NO.	SECTION NAME	PAGE NO.
210A	WATER PUMP, COOLING FAN & THERMOSTAT .....	42

C

# SEC. 210A

## WATER PUMP, COOLING FAN & THERMOSTAT

BOMBA DE AGUA, VENTILADOR DE REFRIGERACION Y TERMOSTATO  
 WASSERPUMPE, KÜHLVENTILATOR & THERMOSTAT  
 POMPE A EAU, VENTILATEUR DE REFROIDISSEMENT ET THERMOSTAT  
 [200709- ]







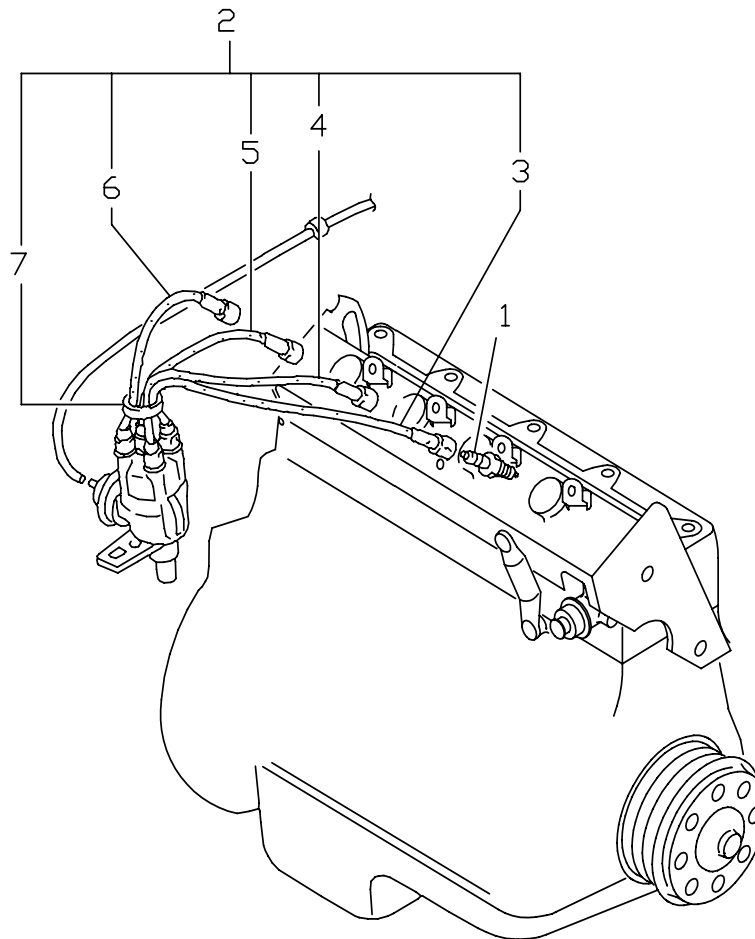
# GROUP INDEX

SEC. NO.	SECTION NAME	PAGE NO.
220A	IGNITION SYSTEM .....	46
221A	DISTRIBUTOR .....	48
223A	VACUUM PIPING .....	50
230A	ALTERNATOR FITTING .....	52
231A	ALTERNATOR .....	54
233A	STARTER MOTOR .....	56

**D**

# SEC. 220A IGNITION SYSTEM

SISTEMA DE ENCENDIDO  
ZUNDANLAGE  
SYSTEME D'ALLUMAGE  
[200709- ]



P0H16K308220AA

**SEC. 220A  
IGNITION SYSTEM**

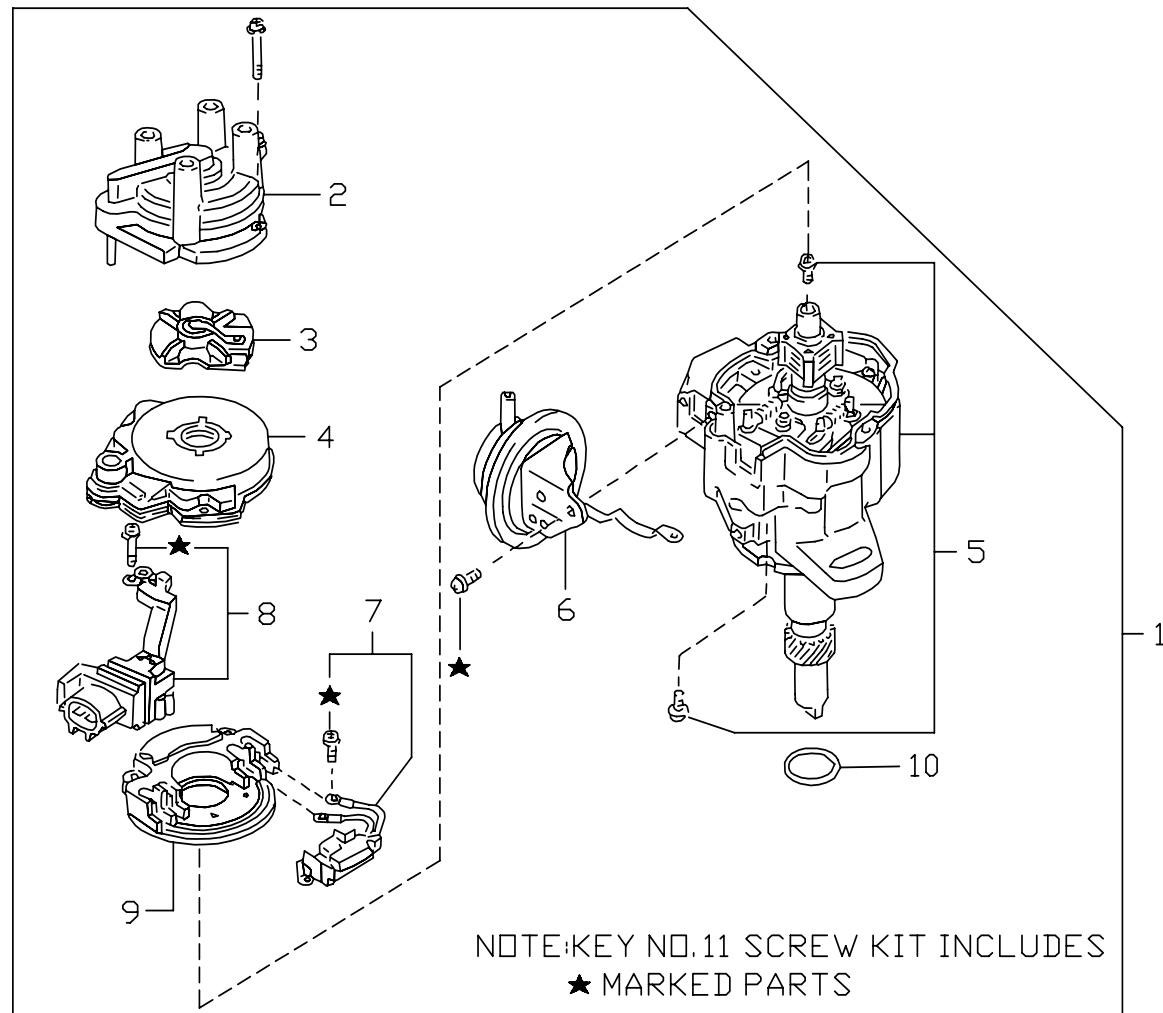
**SISTEMA DE ENCENDIDO  
ZUNDANLAGE  
SYSTEME D'ALLUMAGE**

APPLIED MODEL																																							
10001 GR81A										10001 GR91A										10001 GR91B																			
01	02	03	04	05	06	07	08	09	10	11	12	13	14	15	16	17	18	19	20	21	22	23	24	25	26	27	28	29	30	31	32	33	34	35	36	37	38	39	40

S	KEY NO.	LEV	PART NO.	PART NAME	SPECIFICATION	QTY	APPLIED DATE	ICAF	FORMER PART NO.
	1	001	1	22401-FU412	PLUG-SPARK		04 0709-		
	2	001	1	22440-FU410	CABLE SET-HIGH TENSION		01 0709-		
	3	001	2	22451-FU410	CABLE-HIGH TENSION,NO 1		01 0709-		
	4	001	2	22452-FU410	CABLE-HIGH TENSION,NO 2		01 0709-		
	5	001	2	22453-FU410	CABLE-HIGH TENSION,NO 3		01 0709-		
	6	001	2	22454-FU410	CABLE-HIGH TENSION,NO 4		01 0709-		
	7	001	2	22441-FU400	CLAMP-HIGH TENSION CABLE		01 0709-		

# SEC. 221A DISTRIBUTOR

DISTRIBUIDOR  
ZUNDFERTEILER  
ALLUMEUR  
[200709- ]



P0H16K308221AA

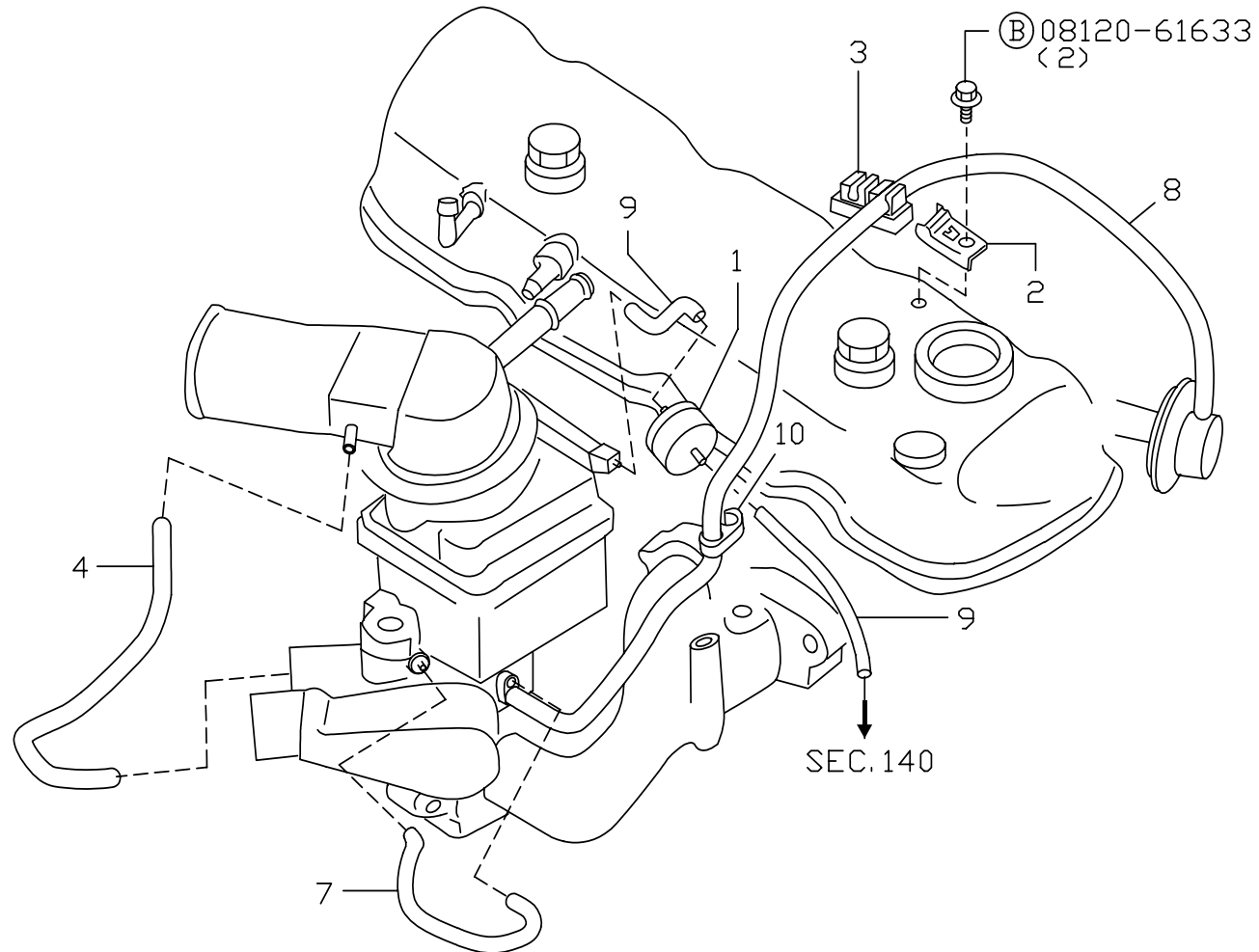
**SEC. 221A  
DISTRIBUTOR**

**DISTRIBUIDOR  
ZUNDVERTEILER  
ALLUMEUR**

APPLIED MODEL																																																		
										10001 GR81A																		10001 GR91B																						
S	KEY NO.	LEV	PART NO.	PART NAME	SPECIFICATION	QTY	APPLIED DATE	ICANF	FORMER PART NO.	01	02	03	04	05	06	07	08	09	10	11	12	13	14	15	16	17	18	19	20	21	22	23	24	25	26	27	28	29	30	31	32	33	34	35	36	37	38	39	40	
	1 001 1		22100-FU410	DISTRIBUTOR ASSY		01	0709-			○																																								
	002 1		-FU510			01	0709-													○										○																				
	2 001 2		22162-55K10	CAP ASSY-DISTRIBUTOR		01	0709-			○										○										○																				
	3 001 2		22157-55K15	ROTOR-HEAD		01	0709-			○										○										○																				
	4 001 2		22125-50Y11	COVER		01	0709-			○										○										○																				
	5 001 2		22106-FU410	HOUSING-SET		01	0709-			○										○										○																				
	002 2		-FU510			01	0709-													○										○																				
	6 001 2		22301-FU310	CONTROL ASSY-VACUUM		01	0709-			○										○																														
	002 2		-FU410			01	0709-													○																														
	003 2		-FU510			01	0709-																							○																				
	7 001 2		22229-50Y10	PICK UP KIT		01	0709-			○										○										○																				
	8 001 2		22404-55K10	CONNECTOR ASSY		01	0709-			○										○										○																				
	9 001 2		22020-55K10	IGNITION UNIT		01	0709-			○										○										○																				
	10 001 2		22131-55K10	SEAL-O RING		01	0709-			○										○										○																				
	11 001 2		22750-M0110	SCREW KIT		01	0709-			○										○										○																				

**SEC. 223A**  
**VACUUM PIPING**

TUBERIA DE VACIO  
UNTERDRUCKLEITUNG  
CANALISATION A DEPRESSION  
[200709- ]

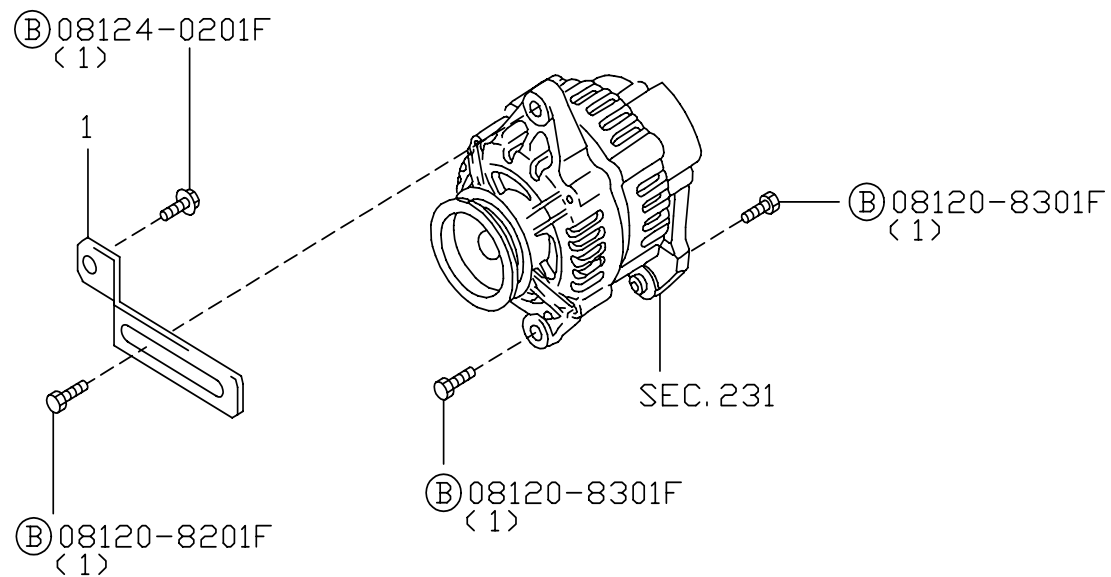


P0H16K308223AA



# SEC. 230A ALTERNATOR FITTING

PARTES DE FIJACION DEL ALTERNADOR  
LICHTMASCHINEN-BESCHLAGTEILE  
PIECES DE FIXATION D'ALTERNATEUR  
[200709- ]

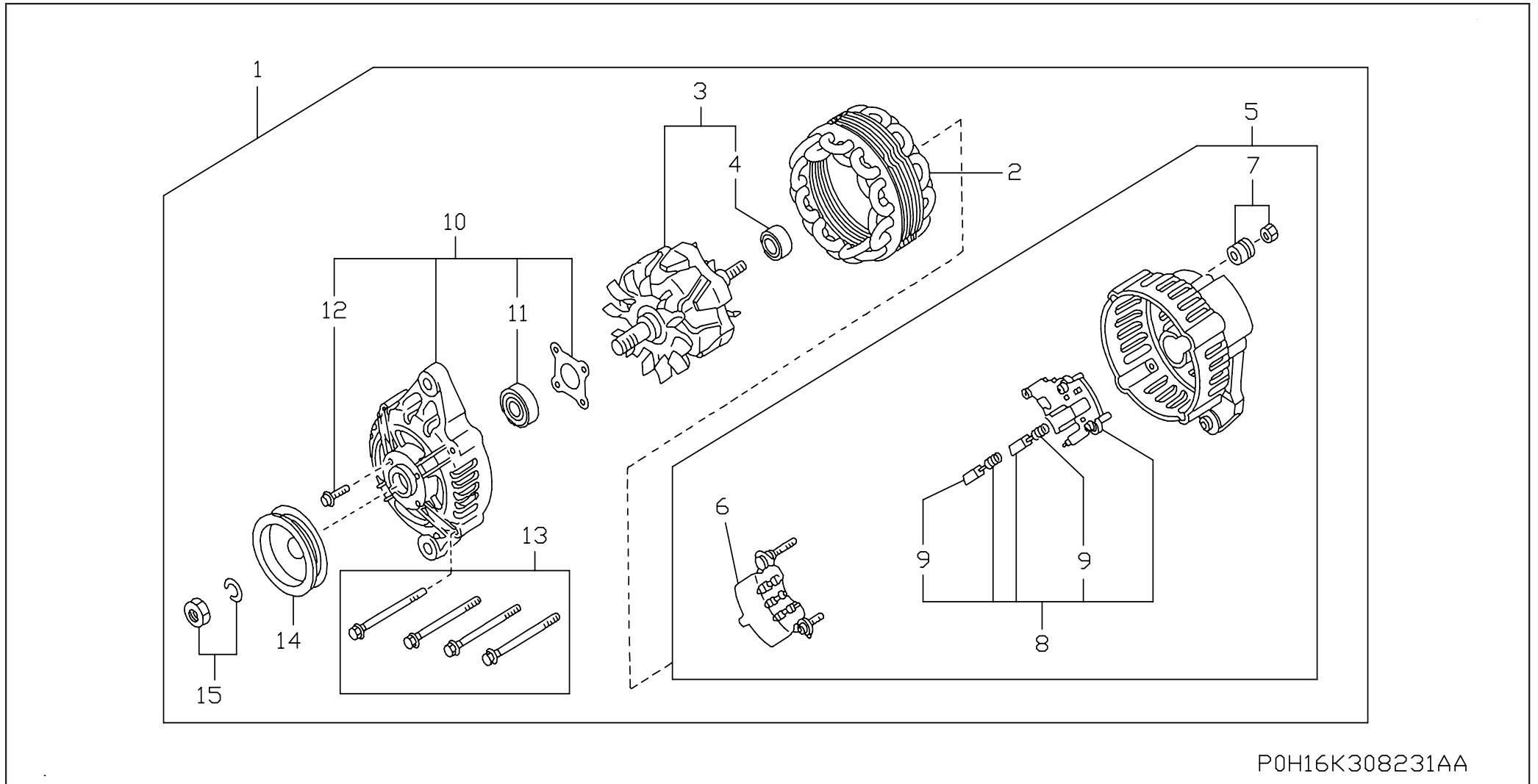


P0H16K308230AA



# SEC. 231A ALTERNATOR

ALTERNADOR  
LICHTMASCHINE  
ALTERNATEUR  
[200709- ]



P0H16K308231AA

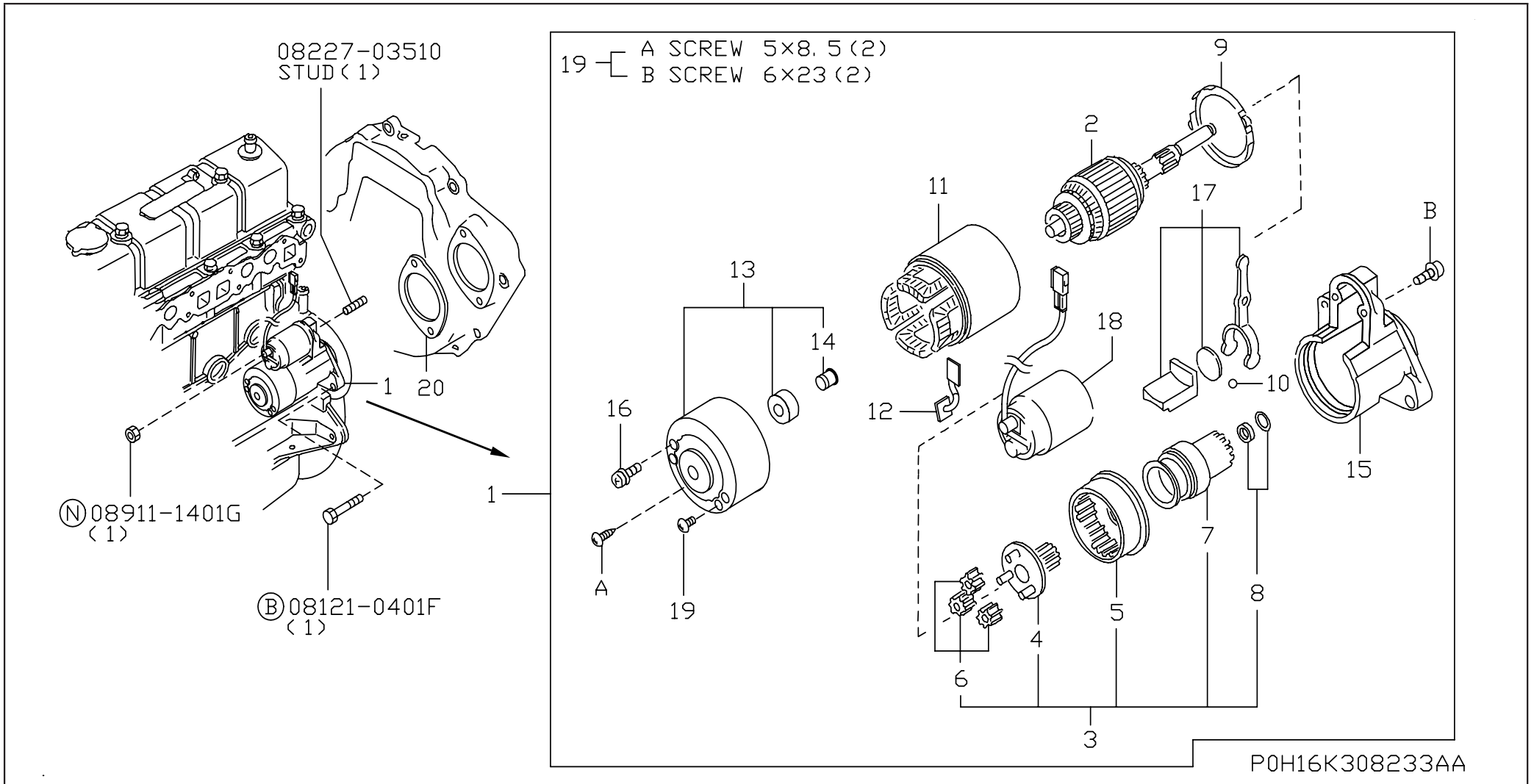
**SEC. 231A  
ALTERNATOR**

**ALTERNADOR  
LICHTMASCHINE  
ALTERNATEUR**

APPLIED MODEL																																																									
										10001 GR81A														10001 GR91B																																	
S	KEY NO.	LEV	PART NO.	PART NAME	SPECIFICATION	QTY	APPLIED DATE	ICAF	FORMER PART NO.	01	02	03	04	05	06	07	08	09	10	11	12	13	14	15	16	17	18	19	20	21	22	23	24	25	26	27	28	29	30	31	32	33	34	35	36	37	38	39	40								
	001	1	23100-FU410	ALTERNATOR ASSY	12V-50A	01	0709-			○										○																																					
	2	001	23102-50K15	STATOR ASSY		01	0709-			○										○																																					
	3	001	23108-50K15	ROTOR ASSY		01	0709-			○										○																																					
	4	001	23120-30R10	BEARING-BALL		01	0709-			○										○																																					
	5	001	23127-FF110	BRACKET ASSY-REAR		01	0709-			○										○																																					
	6	001	23124-FF110	RECTIFIRE ASSY		01	0709-			○										○																																					
	7	001	23156-0B000	NUT-SET		01	0709-			○										○																																					
	8	001	23215-3S416	REGULATOR ASSY-IC		01	0709-			○										○																																					
	9	001	23142-0B000	BRUSH SET		02	0709-			○										○																																					
	10	001	23118-47N10	BRACKET ASSY-FRONT		01	0709-			○										○																																					
	11	001	23120-22J20	BEARING-BALL		01	0709-			○										○																																					
	12	001	23115-47N10	SCREW SET		01	0709-			○										○																																					
	13	001	23131-20P10	BOLT-THROUGH		01	0709-			○										○																																					
	14	001	23150-FU410	PULLEY ASSY		01	0709-			○										○																																					
	15	001	23153-70T12	BOLT-PULLEY		01	0709-			○										○																																					

# SEC. 233A STARTER MOTOR

MOTOR DE ARRANQUE  
ANLASSER  
DEMARREUR  
[200709- ]







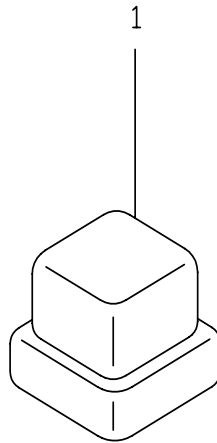
# GROUP INDEX

SEC. NO.	SECTION NAME	PAGE NO.
253A	ELECTRICAL UNIT .....	60

E

**SEC. 253A**  
**ELECTRICAL UNIT**

UNIDAD ELECTRICA  
ELEKTRISCHE BAUTEILE  
ELEMENT ELECTRIQUE  
[200709-         ]



P0H16K308253AA





## **ALPHABETICAL PART NAME INDEX**

# ALPHABETICAL PART NAME INDEX

PART NAME	SEC.NO.	PAGE	PART NAME	SEC.NO.	PAGE	PART NAME	SEC.NO.	PAGE
<b><u>A</u></b>			CHAIN-TIMING CAMSHAFT .....	130A	19	GASKET KIT-ENGINE REPAIR .....	102A	7
ARMATURE ASSY-STARTER .....	233A	57	CHAMBER ASSY-CHOKE .....	160A	29	GASKET SET .....	160A	29
ARM-VALVE ROCKER LH .....	130A	19	CLAMP .....	160A	30	GASKET-CONNECTOR, HEATER .....	210A	43
<b><u>B</u></b>				164A	33	GASKET-COVER .....	191A	39
BAIL ASSY-BALL .....	170A	37		210A	43	GASKET-CYLINDER HEAD .....	111A	11
BALL .....	233A	57		223A	51	GASKET-FUEL PUMP .....	170A	37
BAND ASSY-CAM .....	191A	39	CLAMP-HIGH TENSION CABLE .....	220A	47	GASKET-LIQUID .....	110A	9
BAR-ADJUSTING, ALTERNATOR .....	230A	53	CLAMP-HOSE .....	118A	13		135A	21
BEARING, MAIN INTER .....	120A	15		210A	43	GASKET-MANIFOLD .....	140A	23
BEARING-BALL .....	120A	16	CLIP .....	118A	13	GASKET-OIL PUMP .....	150A	25
	191A	39		164A	33	GASKET-ROCKER COVER .....	111A	11
	231A	55	CLIP-STRAINER PUMP .....	160A	29	GASKET-THERMOSTAT HOUSING .....	210A	43
BEARING-CONNECTING ROD .....	120A	15	COLLET-VALVE .....	130A	19	GASKET-VALVE .....	170A	37
BEARING-SPROCKET PTO, DRIVEN .....	135A	21	CONECTOR-VACUUM .....	140A	23	GAUGE ASSY-OIL LEVEL .....	110A	9
BELT-FAN .....	210A	43	CONECTOR-WATER .....	210A	43	GAUGE-TEMPERATURE .....	210A	43
BLEED-MAIN AIR .....	160A	30	CONECTOR ASSY .....	221A	49	GEAR .....	233A	57
BLOCK ASSY-CYLINDER .....	110A	9	CONNECTOR-ELBOW .....	170A	37	GEAR-RING .....	120A	16
BODY COMPL-LOWER .....	170A	37	CONNECTOR-WATER .....	210A	43	GLASS-BOWL .....	170A	37
BOLT-CONNECTING ROD .....	120A	15	CONTROL ASSY-VACUUM .....	221A	49	GOVERNOR ASSY-PNEUMATIC .....	191A	39
BOLT-CYLINDER HEAD .....	111A	11	COVER ASSY-REAR .....	233A	57	GUIDE-INLET VALVE .....	111A	11
BOLT-FIX, HOUGING THERMOSTAT .....	210A	43	COVER-FRONT .....	135A	21	<b><u>H</u></b>		
BOLT-FIX, PULLEY CRANK .....	120A	15	COVER-GOVERNOR .....	191A	39	HOUSING-THERMOSTAT .....	210A	43
BOLT-FLYWHEEL .....	120A	16	CRANKSHAFT ASSY .....	120A	15	HEAD ASSY-CYLINDER .....	111A	11
BOLT-MAIN BEARING CAP .....	110A	9	<b><u>D</u></b>			HOLDER-HARNESS .....	160A	30
BOLT-PULLEY .....	231A	55	DISTRIBUTOR ASSY .....	221A	49	HORN ASSY-AIR .....	165A	35
BOLT-SLINGER .....	111A	11	DOWEL .....	110A	9	HOSE-BLOWBY GAS .....	118A	13
BOLT-THROUGH .....	231A	55	DOWEL-PIN .....	110A	9	HOSE-CONTROL VACUUM .....	223A	51
	233A	57	DOWEL-WATER PUMP .....	120A	16	HOSE-FUEL .....	164A	33
BRACKET ASSY-FRONT .....	231A	55		210A	43	HOSE-VACUUM .....	160A	29
BRACKET-ACCEL WIRE .....	160A	29	<b><u>E</u></b>			HOSE-VACUUM CONTROL .....	223A	51
BRACKET-HOSE CLAMP .....	223A	51	ELEMENT KIT-THERMO .....	160A	29	HOSE-WATER .....	210A	43
BRUSH SET .....	231A	55	ELEMENT-FUEL .....	170A	37	HOUSING-SET .....	221A	49
	233A	57	ENGINE ASSY-BARE .....	101A	5	HOUSING-TIMING CHAIN .....	135A	21
BUSH SET .....	110A	9	<b><u>F</u></b>			<b><u>I</u></b>		
<b><u>C</u></b>			FAN-COOLING .....	210A	43	IGNITION UNIT .....	221A	49
COVER ASSY-VALVE ROCKER .....	111A	11	FILTER ASSY-OIL .....	150A	25	INSULATOR-CARB .....	160A	30
CABLE SET-HIGH TENSION .....	220A	47	FLOAT .....	160A	29		191A	39
CAMSHAFT ASSY .....	130A	19	FLYWHEEL ASSY .....	120A	16	INSULATOR-PCV VALVE .....	118A	13
CAP ASSY-DISTRIBUTOR .....	221A	49	<b><u>G</u></b>			<b><u>J</u></b>		
CAP ASSY-OIL FILLER .....	111A	11	GASKET .....	111A	11	JET-MAIN .....	160A	30
CAP-GOVERNOR .....	191A	39						
CARBURETOR ASSY .....	160A	29						
CASE ASSY-GEAR .....	233A	57						
CHAIN-PTO .....	135A	21						

# ALPHABETICAL PART NAME INDEX

PART NAME	SEC.NO.	PAGE	PART NAME	SEC.NO.	PAGE	PART NAME	SEC.NO.	PAGE
<b><u>L</u></b>			PLUG-WELCH .....	110A	9	SPRING .....	160A	29
LEVER SET-SHIFT .....	233A	57	PULLEY ASSY .....	231A	55	SPRING SET-ELEMENT .....	170A	37
LEVER-1ST ADJUST .....	160A	30	PULLEY-CRANKSHAFT .....	120A	15	SPRING-INJECTOR .....	160A	29
LEVER-CHOKE .....	160A	29	PULLEY-FAN & WATER PUMP .....	210A	43	SPRING-OUTSIDE, VALVE ROCKER .....	130A	19
LEVER-THROTTLE .....	160A	30	PUMP ASSY-FUEL .....	170A	37	SPRING-RETURN .....	160A	29
LIFTER-VALVE .....	130A	19	PUMP ASSY-OIL .....	150A	25	SPRING-THROTTLE ADJUST SCREW .....	160A	30
<b><u>M</u></b>			PUMP ASSY-WATER .....	210A	43	SPRING-THROTTLE RETURN .....	160A	29
MANIFOLD ASSY-INTAKE .....	140A	23	<b><u>R</u></b>			SPRING-VALVE .....	130A	19
METAL-REAR COVER .....	233A	57	RECTIFIRE ASSY .....	231A	55	SPROCKET-CRANKSHAFT .....	120A	16
<b><u>N</u></b>			RELAY ASSY .....	253A	61	SPROCKET-PTO DRIVE .....	135A	21
NUT-ADJUST SCREW .....	130A	19	RETAINER ASSY-OIL SEAL, REAR .....	110A	9	STATOR ASSY .....	231A	55
NUT-CAP .....	111A	11	RETAINER-VALVE STEM .....	130A	19	STOPPER SET-PINION .....	233A	57
NUT-CONNECTING ROD .....	120A	15	RING SET-PISTON .....	120A	15	STRAINER .....	160A	29
NUT-LOCK .....	140A	23	ROD-PUMP .....	160A	29	STRAINER-OIL .....	150A	25
NUT-SET .....	231A	55	ROD-PUSH .....	130A	19	STUD .....	110A	9
<b><u>O</u></b>			ROTOR ASSY .....	231A	55	STUD-OIL FILTER .....	150A	25
OUTLET-WATER .....	210A	43	ROTOR-HEAD .....	221A	49	SWITCH ASSY-MAGNETIC .....	233A	57
<b><u>P</u></b>			<b><u>S</u></b>			SWITCH-OIL PRESSURE .....	110A	9
PACKING .....	233A	57	SCREW .....	170A	37	<b><u>T</u></b>		
PAN ASSY-OIL .....	110A	9	SCREW & WASHER KIT-A .....	160A	29	TENSION ASSY-CHAINN .....	130A	19
PICK UP KIT .....	221A	49	SCREW KIT .....	221A	49	THERMOSTAT ASSY .....	210A	43
PIN-DOWEL .....	135A	21	SCREW SET .....	231A	55	TUBE ASSY-FUEL .....	164A	33
PIN-FLOAT .....	160A	29	SCREW-ADJUST, VALVE ROCKER .....	233A	57	<b><u>V</u></b>		
PINION ASSY-ARMATURE .....	233A	57	SCREW-ADJUSTER .....	130A	19	VALVE ASSY .....	170A	37
PIPE ASSY-HEATER, FEED .....	210A	43	SCREW-IDLE ADJUST .....	191A	39	VALVE ASSY-CONTROL BLOWBY .....	118A	13
PIPE-RUBBER .....	160A	29	SCREW-VALVE RETAINER .....	160A	29	VALVE ASSY-DELAY .....	223A	51
PISTON, W/PIN .....	120A	15	SEAL-GOVERNOR .....	170A	37	VALVE ASSY-OIL REGULATOR .....	150A	25
PISTON-ACCEL .....	160A	29	SEAL-OIL RING .....	191A	39	VALVE-EXHAUST .....	130A	19
PLATE-ENGINE, REAR .....	135A	21	SEAL-O RING .....	135A	21	VALVE-NEEDLE .....	160A	29
PLATE-LOCATING, CAMSHAFT .....	130A	19	SEAL-OIL VALVE STEM .....	170A	37	<b><u>W</u></b>		
PLATE-STOPPING .....	160A	29	SEAL-OIL, CRANKSHAFT FRONT .....	221A	49	WASHER .....	111A	11
PLUG .....	135A	21	SEAL-OIL, CRANKSHAFT REAR .....	130A	19	WASHER-CAM SPROCKET .....	130A	19
PLUG-BLIND .....	110A	9	SEAL-ORING .....	110A	9	WASHER-DRAIN PLUG .....	110A	9
PLUG-DRAIN .....	210A	43	SEAT-VALVE SPRING, OUTER .....	165A	35	WASHER-ROCKER SHAFT .....	130A	19
PLUG-OIL HOLE .....	110A	9	SEAT-VALVE, EXHAUST .....	130A	19	WEDGE-CRANK PULLEY .....	120A	15
PLUG-ROCKER SHAFT .....	150A	25	SHAFT ASSY-CLUTCH GEAR .....	111A	11	WEIGHT-INJECTOR PUMP .....	160A	29
PLUG-ROCKER SHAFT .....	130A	19	SHAFT ASSY-OIL PUMP .....	233A	57	WIRE-CAM BAND .....	191A	39
PLUG-SPARK .....	220A	47	SHAFT ASSY-VALVE ROCKER .....	150A	25	<b><u>Y</u></b>		
PLUG-TAPER .....	110A	9	SLEEVE .....	130A	19	YOKE ASSY .....	233A	57
PLUG-WATER PUMP .....	210A	43	SLINGER-ENGINE, FRONT .....	160A	29	YOKE-FIX, MANIFOLD .....	140A	23
			SPACER-AIR HORN .....	111A	11			
			SPACER-FAN .....	165A	35			
			SPACER-FUEL PUMP .....	210A	43			
			SPACER-STARTER MOTOR .....	170A	37			
				233A	57			



## **PART NO. INDEX**

# PART NUMBER INDEX

PART NO.	SEC.NO.	PAGE NO.	PART NO.	SEC.NO.	PAGE NO.	PART NO.	SEC.NO.	PAGE NO.	PART NO.	SEC.NO.	PAGE NO.	PART NO.	SEC.NO.	PAGE NO.
<b><u>00000</u></b>			13501-FU400 .. 135A .....	21	23100-FU410 .. 231A .....	55								
01552-00321 .. 223A .....	51	14003-FU400 .. 140A .....	23	23110-GY30A .. 233A .....	57									
01555-00181 .. 164A .....	33	14049-76001 .. 210A .....	43	23115-47N10 .. 231A .....	55									
01555-00891 .. 210A .....	43	14075-05H00 .. 140A .....	23	23300-GS20A .. 233A .....	57									
02187-30603 .. 223A .....	51	14075-40F04 .. 210A .....	43	24220-79901 .. 118A .....	13									
		14094-31U00 .. 140A .....	23	25080-89903 .. 210A .....	43									
		14958-H9810 .. 223A .....	51	25230-79982 .. 253A .....	61									
		15010-66202 .. 150A .....	25	25240-FJ10A .. 110A .....	9									
		15255-1P110 .. 111A .....	11	27076-33300 .. 140A .....	23									
		16010-FU400 .. 160A .....	29											
		16033-FU400 .. 160A .....	30	<b><u>30000</u></b>										
10005-FU410 .. 111A .....	11	16061-55K00 .. 160A .....	29	30412-H1001 .. 110A .....	9									
10101-FY53K .. 102A .....	7	16116-66L05 .. 160A .....	30	30413-61700 .. 135A .....	21									
10102-FU400 .. 101A .....	5	16143-55K00 .. 160A .....	29	32203-FU400 .. 120A .....	16									
11000-FU400 .. 110A .....	9	16160-85G60 .. 160A .....	30											
11024-25N0A .. 210A .....	43	16165-55K00 .. 160A .....	29	<b><u>K0000</u></b>										
11024-78200 .. 110A .....	9	16174-50K00 .. 191A .....	39	KP710-00150 .. 110A .....	9									
11026-53J00 .. 111A .....	11	16174-FU400 .. 160A .....	30	.. 135A .....	21									
11042-FY52K .. 102A .....	7	16196-55K00 .. 160A .....	29											
11044-FU400 .. 111A .....	11	16227-FF100 .. 160A .....	30											
11046-73402 .. 110A .....	9	16238-FF100 .. 160A .....	29											
.. 135A .....	21	16267-FU40A .. 165A .....	35											
.. 210A .....	43	16286-85G00 .. 160A .....	29											
11051-FU400 .. 135A .....	21	16402-48200 .. 170A .....	37											
11053-73400 .. 110A .....	9	16439-17B0A .. 118A .....	13											
11056-FY500 .. 111A .....	11	16439-26E0A .. 210A .....	43											
11060-FU40A .. 210A .....	43	16439-42L0B .. 118A .....	13											
11065-30000 .. 150A .....	25	16440-35210 .. 170A .....	37											
11072-50K01 .. 210A .....	43	16455-K9200 .. 160A .....	29											
11098-FY500 .. 111A .....	11	16569-50K10 .. 165A .....	35											
11110-FU400 .. 110A .....	9	16827-85G00 .. 160A .....	29											
11715-FU400 .. 230A .....	53	17010-50K60 .. 170A .....	37											
11810-75T00 .. 118A .....	13	17522-FU401 .. 164A .....	33											
12010-GS00A .. 120A .....	15	19100-FU400 .. 191A .....	39											
12251-50K00 .. 120A .....	16													
12279-FF200 .. 110A .....	9	<b><u>20000</u></b>												
12303-FU400 .. 120A .....	15	21010-FU425 .. 210A .....	43											
12310-GY360 .. 120A .....	16	22020-55K10 .. 221A .....	49											
12320-50K00 .. 135A .....	21	22131-4M505 .. 135A .....	21											
13001-50K00 .. 130A .....	19	22131-55K10 .. 221A .....	49											
13002-71200 .. 110A .....	9	22235-U7400 .. 191A .....	39											
13010-78201 .. 130A .....	19	22301-FU310 .. 221A .....	49											
13021-FY500 .. 120A .....	16	22318-FU300 .. 223A .....	51											
13024-FY500 .. 130A .....	19	22401-FU412 .. 220A .....	47											
13034-FU400 .. 135A .....	21	22404-55K10 .. 221A .....	49											
13050-FU400 .. 210A .....	43	22440-FU410 .. 220A .....	47											
13070-50K00 .. 130A .....	19	22472-01N01 .. 223A .....	51											
13212-FY500 .. 111A .....	11	22636-N4200 .. 210A .....	43											
13231-H1001 .. 130A .....	19	22750-M0110 .. 221A .....	49											
13264-FU40A .. 111A .....	11													
13289-58000 .. 130A .....	19													