

## 第一部分 传动系统目录

### Part I Driving system contents

|                   |                   |                  |                   |                  |
|-------------------|-------------------|------------------|-------------------|------------------|
| CPCD20/25-XRG71   | CPCD20/25-XRG72   | CPCD20/25-XRG72F | CPC20/25-XRG72    | CPCD20/25-XRG72J |
| CPC20/25-XRG72J   | CPCD20/25-XRW10   | CPCD20/25-XRW10B | CPC20/25-XRW10    | CPCD20/25-XRW10F |
| CPCD20/25-XRW33B  | CPCD20/25-XRW33F  | CPCD20/25-XRW43  | CPCD20/25-XRW43B  | CPCD20/25-XRW43F |
| CPCD20/25-XRW73   | CPCD20/25-XRW55B  | CPCD20/25-XRW55F | CPC20/25-XRW55    | CPCD20/25-XRW56  |
| CPCD20/25-XRW56B  | CPCD20/25-XRW56F  | CPQD20/25-XRW22  | CPQD20/25-XRW22B  | CPQYD20/25-XRW22 |
| CPCD20/25-XRG2    | CPCD20/25-XRW92F  | CPQD20/25-XRW22F | CPQYD20/25-XRW22F | CPYD20/25-XRW52F |
| CPCD20/25-XRG72JF | CPQYD20/25-XRW22B |                  |                   |                  |

| 序号<br>Item    | 名称<br>Description                    | 适用车型<br>Serial No.                    | 页码<br>Page |
|---------------|--------------------------------------|---------------------------------------|------------|
| 图 1<br>Fig. 1 | 前轮 (单轮)<br>Front wheel (Single tyre) | 2.0t-2.5t<br>全部车型/All models of truck | 1-1        |
| 图 2<br>Fig. 2 | 前轮 (双轮)<br>Front wheel (Double tyre) | 2.0t-2.5t<br>全部车型/All models of truck | 1-2        |
| 图 3<br>Fig. 3 | 传动系统<br>Driving system               |                                       | 1-4        |
| 图 4<br>Fig. 4 | 传动系统<br>Driving system               |                                       | 1-6        |

|               |                                 |  |      |
|---------------|---------------------------------|--|------|
| 图 5<br>Fig. 5 | 传动系统<br>Driving system          |  | 1-8  |
| 图 6<br>Fig. 6 | 冷却油管总成<br>Cooling oil pipe assy |  | 1-10 |

| 序号<br>Item      | 名称<br>Description  | 适用车型<br>Serial No.   | 页码<br>Page |
|-----------------|--|--|------------|
| 图 7<br>Fig. 7   | 传动系统<br>Driving system                                   |  | 1-11       |
| 图 8<br>Fig.8    | 冷却油管总成<br>Cooling oil pipe assy                          |  | 1-13       |
| 图 9<br>Fig. 9   | 传动系统<br>Driving system                                   |  | 1-14       |
| 图 10<br>Fig. 10 | 离合器<br>Clutch  |  | 1-15       |
| 图 11<br>Fig.11  | 驱动桥<br>Drive axle  | 除外/Except<br>全部车型 All models of truck                              | 1-18       |
| 图 12<br>Fig.12  | 驱动桥<br>Drive axle  |  | 1-21       |
| 图 13<br>Fig.13  | 驱动桥<br>Drive axle  |  | 1-24       |
| 图 14<br>Fig. 14 | 左制动器总成<br>Brake assy,LH                                  | 2.0t-2.5t<br>全部车型 All models of truck                              | 1-27       |
| 图 15<br>Fig. 15 | 右制动器总成<br>Brake assy,RH                                  | 2.0t-2.5t<br>全部车型 All models of truck                              | 1-29       |
| 图 16<br>Fig. 16 | 变速箱 (液力式) 绍兴<br>Transmission(tor-con type) ShaoXin       | <b>1.0t-3.8t</b> XYQXD 系列液力变速箱<br>XYQXD Series Hvdrodvnmic Gearbox | 1-32       |
| 图 17<br>Fig. 17 | 液力离合器 (液力式) 绍兴<br>Hydraulic clutch(tor-con type) ShaoXin | <b>1.0t-3.8t</b> XYQXD 系列液力变速箱<br>XYQXD Series Hvdrodvnmic Gearbox | 1-37       |

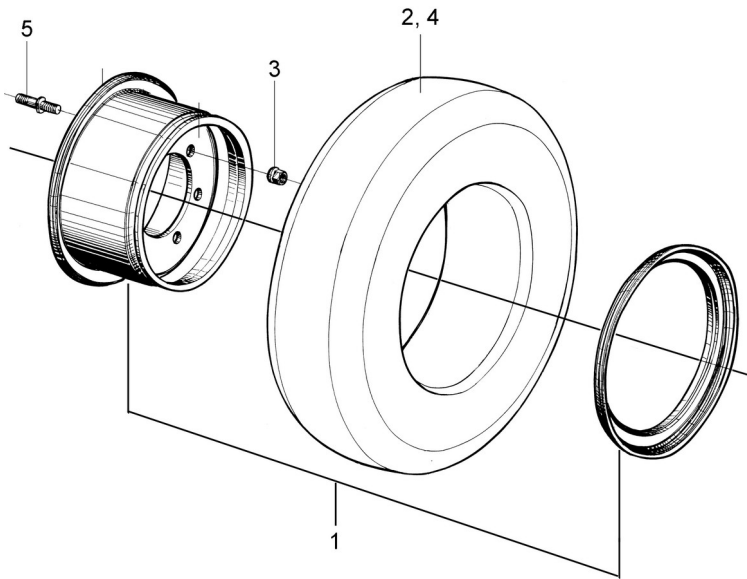
|                 |   |  |      |
|-----------------|---|--|------|
| 图 18<br>Fig. 18 | 盖、控制阀、微动阀 (液力式) 绍兴<br>Cover control valve & inching valve(tor-con type) ShaoXin | <b>1.0t-3.8t</b> XYQXD 系列液力变速箱<br>XYQXD Series Hvdrodvynamic Gearbox | 1-39 |
| 图 19<br>Fig. 19 | 供油泵 (液力式) 绍兴<br>Charging pump(tor-con type) ShaoXin                             | <b>1.0t-3.8t</b> XYQXD 系列液力变速箱<br>XYQXD Series Hvdrodvynamic Gearbox | 1-42 |
| 图 20<br>Fig. 20 | 减速器和差速器 (绍兴)<br>Reduction & differential (ShaoXin)                              | 1.0t-3.8t 全部车型<br>All models of truck                                | 1-43 |

| 序号<br>Item      | 名称<br>Description  | 适用车型<br>Serial No.   | 页码<br>Page |
|-----------------|--|--|------------|
| 图 21<br>Fig. 21 | 变速器(机械式 其 1) 绍兴 ShaoXin<br>Transmission(clutch type part-1)                              | 1.0t-3.8t, XJDS 系列机械变速箱<br>X.JDS Series Mechanical Gearbox                               | 1-47       |
| 图 22<br>Fig. 22 | 变速器(机械式 其 2) 绍兴 ShaoXin<br>Transmission(clutch type part-2)                              | 1.0t-3.8t, XJDS 系列机械变速箱<br>X.JDS Series Mechanical Gearbox                               | 1-49       |
| 图 23<br>Fig. 23 | 主轴组件 (绍兴)<br>Spindle assy (ShaoXin)  | 1.0t-3.8t, XJDS 系列机械变速箱<br>X.JDS Series Mechanical Gearbox                               | 1-53       |
| 图 24<br>Fig. 24 | 液力变矩器总成<br>Torque converter assy   | 1.0-3.5t, Y43160X 液力传动变速箱 (冈村)<br>Y43160X Hydrodynamic Transmission Gearbox<br>(Okamura) | 1-55       |
| 图 25<br>Fig. 25 | 变速箱 (其 1)<br>Transmission (part-1)   |  | 1-56       |
| 图 26<br>Fig.26  | 变速箱 (其 2)<br>Transmission (part-2)   |  | 1-60       |
| 图 27<br>Fig.27  | 变速箱 (其 3)<br>Transmission (part-3)   |  | 1-62       |
| 图 28<br>Fig.28  | 控制阀<br>Control Valve   |  | 1-64       |
| 图 29<br>Fig. 29 | 2.0-2.5t 主减速器-差速器总成<br>2.0-2.5t Reduction & Differential                                 | <b>2.0-2.5t Y43160X</b> 液力传动变速箱 (冈村)<br>Hvdrodvynamic Transmission Gearbox (Okamura)     | 1-67       |
| 图 30<br>Fig. 30 | 变速箱 (其 1) (包括变矩器、油泵、离合器)<br>Transmission (part-1) (include Torque-converter pump Clutch) | 1.0-3.5t   | 1-71       |

|                 |   |  |            |
|-----------------|---|--|------------|
| 图 31<br>Fig. 31 | 变速箱 (其 2) (包括变矩器、油泵、离合器)<br>Transmission (part-2) (include Torque-converter pump, Clutch) | <b>XYQXF 系列液力传动变速箱 (绍兴)</b><br><b>XYQXF Series Hydrodynamic Transmission Gearbox (SHAOXIN)</b> | 1-74       |
| 图 32<br>Fig. 32 | 变速箱 (其 3) (包括变矩器、油泵、离合器)<br>Transmission (part-3) (include Torque-converter pump, Clutch) |  | 1-76       |
| 图 33<br>Fig. 33 | 电磁控制操纵阀<br>Electro-hydraulic operating valve  |  | 1-79       |
| 图 34<br>Fig. 34 | 减速器总成<br>Reduction assy   |  | 1-81       |
|                 | 变速箱密封 (修理) 工具包<br>Transmission repair kits  | <b>1.0-3.5t XYQXF 液力传动变速箱 (绍兴)</b><br><b>Hydrodynamic Transmission Gearbox (SHAOXIN)</b>       | 1-85       |
| 序号<br>Item      | 名称<br>Description   | 适用车型<br>Serial No.   | 页码<br>Page |
| 图 35<br>Fig. 35 | 传动系统<br>Driving system  |  | 1-86       |
| 图 36<br>Fig. 36 | 冷却油管总成<br>Cooling oil pipe assy   |  | 1-88       |

图 1 前轮 (单轮)  
Fig.1 Front wheel (Single tyre)

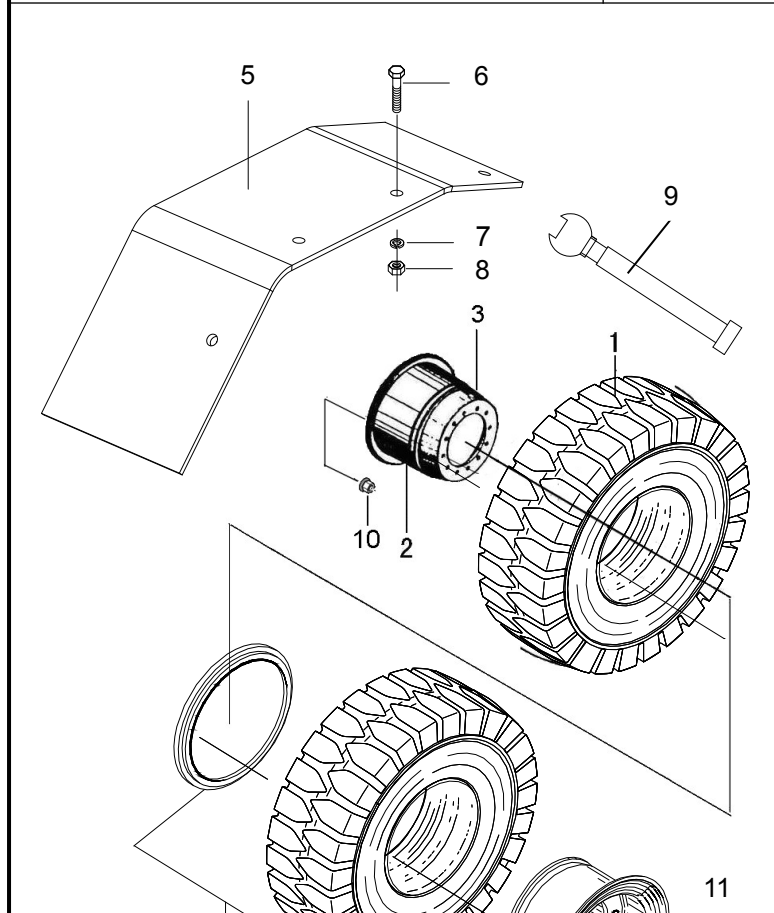
2.0t-2.5t  
全部车型 All models of truck



| 序号<br>Item | 物料码<br>Part No | 名称<br>Description | 数量<br>Qty | 备注或适用车型<br>Remarks or Serial No | 原物料码<br>Original Part No |
|------------|----------------|-------------------|-----------|---------------------------------|--------------------------|
| A1         | 201500000139   | 前轮总成(单轮)          | 2         | INC:1-2                         | MB250-113000-000         |
| A1         | 201500000020   | 前轮总成(单轮)          | 2         | INC:1-2                         | N120-113000-000          |
| 1          | 201500040036   | 轮辋总成              | 2         | 红色 Red                          | N120-113100-000          |
| 2          | 300150010032   | 实心轮胎 7.00-12      | 2         | 实心轮胎 Solid Tyre                 | GT10823-0000712-00       |
| 2          | 300150040026   | 充气轮胎 7.00-12-12PR | 2         | 充气轮胎 Inflated tyre              | GT02982-000071212-00     |
| 3          | 201100080004   | 轮毂螺母              | 12        |                                 | N163-110015-000          |
| 4          | 300150010052   | 无痕轮胎 7.00-12      | 2         | 选配 Optional                     | GT10823-0000712-02       |
| 5          | 201100020015   | 轮毂螺栓              | 12        | 单轮<br>Single tyre               | N120-110006-000          |
|            |                |                   |           |                                 |                          |
|            |                |                   |           |                                 |                          |
|            |                |                   |           |                                 |                          |
|            |                |                   |           |                                 |                          |
|            |                |                   |           |                                 |                          |
|            |                |                   |           |                                 |                          |
|            |                |                   |           |                                 |                          |
|            |                |                   |           |                                 |                          |

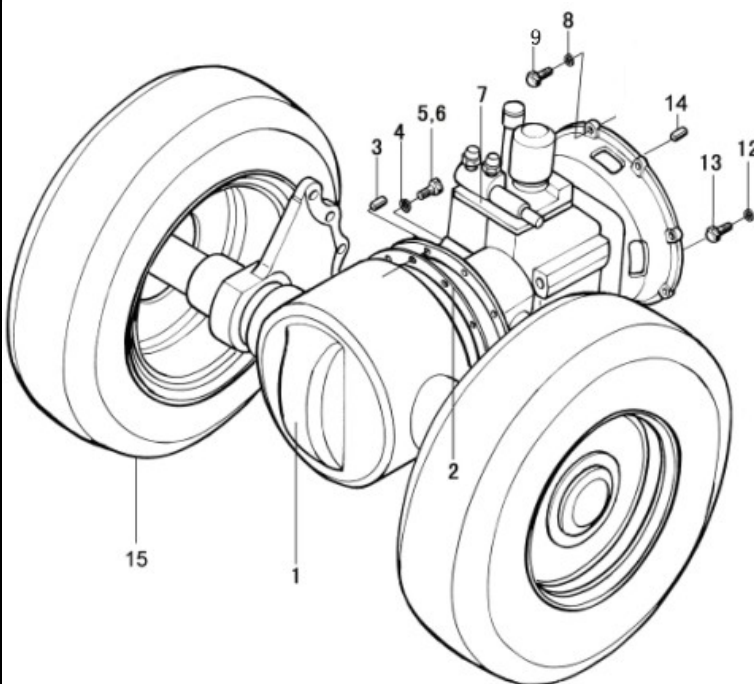
|  |  |  |  |  |  |
|--|--|--|--|--|--|
|  |  |  |  |  |  |
|--|--|--|--|--|--|

|   |   |             |
|---|---|-------------|
| <p>图2 前轮 (双轮)<br/>Fig.2 Front wheel (Double tyre)</p> | <p>2.0t-2.5t<br/>全部车型/All models of truck</p> | <p>原物料码</p> |
|---|---|-------------|

|  | <p>序号<br/>Item</p> | <p>Original Part No.</p> | <p>名称<br/>Description</p> | <p>数量<br/>Qty</p> | <p>备注或适用车型<br/>Remarks or Serial No</p> | <p>原物料码<br/>Original Part No</p> |
|---|--------------------|--------------------------|---------------------------|-------------------|---|----------------------------------|
|   | A1                 | 原物料码                     | 内前轮总成(双轮) Inner           | 2                 | INC.1,4                                 |                                  |
|   | A2                 | Original Part No.        | 外前轮总成(双轮) Outer           | 2                 | INC.1,2                                 |                                  |
|   | A1                 | 原物料码                     | 内前轮总成                     | 2                 | INC.1,4                                 |                                  |
|   | A2                 | Original Part No.        | 外前轮总成                     | 2                 | INC1,2                                  |                                  |
|   | 1                  | 原物料码                     | 实心轮胎 7.00-12              | 4                 | 实心轮胎 Solid Tyre                         |                                  |
|   | 1                  | Original Part No.        | 充气轮胎 7.00-12-12PR         | 4                 | 充气轮胎 Inflated tyre                      |                                  |
|   | 2                  | 原物料码                     | 外轮辋总成                     | 2                 | 红色 Red                                  |                                  |
|   | 3                  | Original Part No.        | 隔套                        | 2                 |   |                                  |
|   | 4                  | 原物料码                     | 内轮辋总成                     | 2                 | 红色 Red                                  |                                  |
|   | 5                  | Original Part No.        | 左挡泥板                      | 1                 |   |                                  |
|   | 5                  | 原物料码                     | 右挡泥板                      | 1                 |   |                                  |
|   | 6                  | Original Part No.        | 螺栓 M12×45                 | 6                 |   |                                  |
|   | 7                  | 原物料码                     | 垫圈 12                     | 6                 |   |                                  |



|  |  |  |  |  |  |
|--|--|--|--|--|--|
|  |  |  |  |  |  |
|  |  |  |  |  |  |
|  |  |  |  |  |  |

|                                  |  |                   |                  |                                 |                          |
|----------------------------------|--|-------------------|------------------|---------------------------------|--------------------------|
| 图3 传动系统<br>Fig. 3 Driving system | CPCD20/25-XRG71  | CPCD20/25-XRG72   | CPCD20/25-XRG72J | CPCD20/25-XRG2                  |                          |
|                                  |  |                   |                  |                                 |                          |
| 序号<br>Item                       | 物料码<br>Part No   | 名称<br>Description | 数量<br>Qty        | 备注或适用车型<br>Remarks or Serial No | 原物料码<br>Original Part No |
| 1                                | 201100000174   | 驱动桥总成             | 1                | 见图11 See Fig.11                 | A250-110000-000          |
| 2                                | 810120000147   | 1598H 密封胶         | 1                |                                 | 159895                   |
| 3                                | 300050100009   | 销 B10×25          | 1                |                                 | G000120-010025-01        |
| 4                                | 300030010002   | 垫圈 12             | 12               |                                 | G000093-000012-00        |
| 5                                | 300010040037   | 螺栓 M12×40         | 10               |                                 | G005783-012040-00        |
| 6                                | 300010040033   | 螺栓 M12×30         | 2                |                                 | G005783-012030-00        |
| 7                                | 201200000338   | 液力变速箱 XYQXD25A    | 1                |                                 | XR260-120000-G00         |
| 8                                | 300030010015   | 垫圈 8              | 6                |                                 | G000093-000008-00        |
| 9                                | 300010040177   | 螺栓 M8×25          | 12               |                                 | G005783-008025-00        |
| 12                               | 300030010001   | 垫圈 10             | 9                |                                 | G000093-000010-00        |



|  |    |                |                |   |  |                   |
|--|----|----------------|----------------|---|--|-------------------|
|  | 13 | 300010040013   | 螺栓 M10×35      | 9 |  | G005783-010035-00 |
|  | 14 | 300050100001   | 销 B10×35       | 2 |  | G000120-010035-00 |
|  | 15 | 见图 1 See Fig.1 | 前轮总成(单轮)       | 2 |  |                   |
|  | 15 | 见图 2 See Fig.2 | 内前轮总成(双轮)Inner | 2 |  |                   |

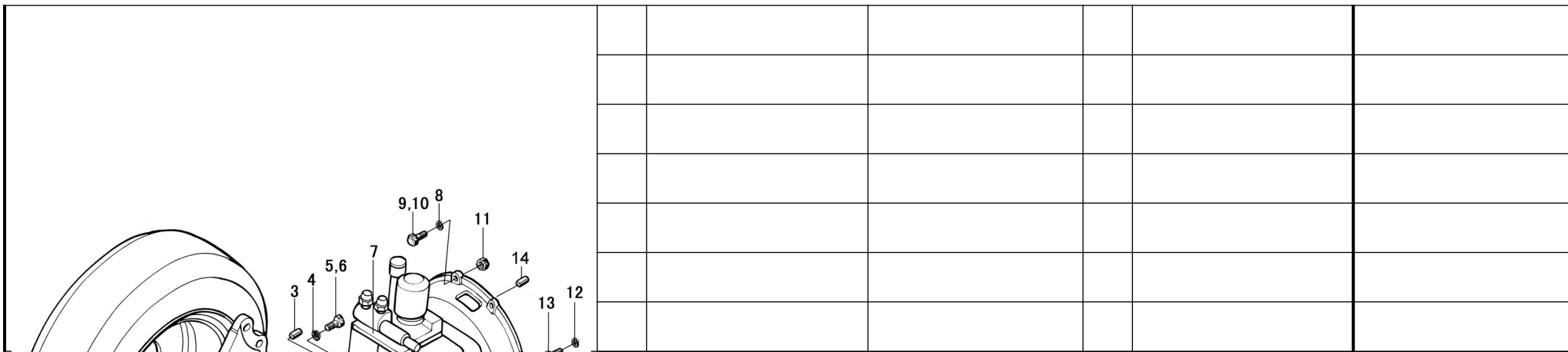
| 图 3 传动系统<br>Fig. 3 Driving system |                | CPCD20/25-XRG71   | CPCD20/25-XRG72 | CPCD20/25-XRG72J                | CPCD20/25-XRG2           |  |
|-----------------------------------|----------------|-------------------|-----------------|---------------------------------|--------------------------|--|
| 序号<br>Item                        | 物料码<br>Part No | 名称<br>Description | 数量<br>Qty       | 备注或适用车型<br>Remarks or Serial No | 原物料码<br>Original Part No |  |
|                                   | 15             | 见图 2 See Fig.2    | 外前轮总成(双轮)Outer  | 2                               |                          |  |
|                                   |                |                   |                 |                                 |                          |  |
|                                   |                |                   |                 |                                 |                          |  |
|                                   |                |                   |                 |                                 |                          |  |
|                                   |                |                   |                 |                                 |                          |  |
|                                   |                |                   |                 |                                 |                          |  |
|                                   |                |                   |                 |                                 |                          |  |
|                                   |                |                   |                 |                                 |                          |  |
|                                   |                |                   |                 |                                 |                          |  |
|                                   |                |                   |                 |                                 |                          |  |

|  |  |  |  |  |  |
|--|--|--|--|--|--|
|  |  |  |  |  |  |
|  |  |  |  |  |  |
|  |  |  |  |  |  |
|  |  |  |  |  |  |
|  |  |  |  |  |  |

|                                   |                  |                 |                   |                 |                                 |                          |
|-----------------------------------|------------------|-----------------|-------------------|-----------------|---------------------------------|--------------------------|
| 图 4 传动系统<br>Fig. 4 Driving system | CPCD20/25-XRW10  | CPCD20/25-XRW43 | CPCD20/25-XRW56   | CPQD20/25-XRW22 |                                 |                          |
|                                   | CPQYD20/25-XRW22 |                 |                   |                 |                                 |                          |
|                                   | 序号<br>Item       | 物料码<br>Part No  | 名称<br>Description | 数量<br>Qty       | 备注或适用车型<br>Remarks or Serial No | 原物料码<br>Original Part No |
|                                   | 1                | 201100000174    | 驱动桥总成             | 1               | 见图11 See Fig.11                 | A250-110000-000          |
|                                   | 2                | 810120000147    | 1598H 密封胶         | 1               |                                 | 159895                   |
|                                   | 3                | 300050100009    | 销 B10×25          | 1               |                                 | G000120-010025-01        |
|                                   | 4                | 300030010003    | 垫圈 14             | 12              |                                 | G000093-000014-00        |
|                                   | 5                | 300010040037    | 螺栓 M12×40         | 10              |                                 | G005783-012040-00        |
|                                   | 6                | 300010040033    | 螺栓 M12×30         | 2               |                                 | G005783-012030-00        |
|                                   | 7                | 201200000337    | 液力变速箱 XYQXD25     | 1               |                                 | XR261-120000-G00         |
|                                   | 8                | 300030010001    | 垫圈 10             | 8               |                                 | G000093-000010-00        |
|                                   | 9                | 300010030015    | 螺栓 M10×50         | 1               |                                 | G005782-010050-00        |

|  |    |              |           |    |  |                   |
|--|----|--------------|-----------|----|--|-------------------|
|  | 9  | 300010030014 | 螺栓 M10×45 | 1  |  | G005782-010045-00 |
|  | 9  | 300010030014 | 螺栓 M10×45 | 6  |  | G005782-010045-00 |
|  | 11 | 300020010006 | 螺母 M10    | 1  |  | G006170-000010-00 |
|  | 11 | 300020010006 | 螺母 M10    | 6  |  | G006170-000010-00 |
|  | 12 | 300030010015 | 垫圈 8      | 12 |  | G000093-000008-00 |
|  |    |              |           |    |  |                   |

| <p>图 4 传动系统<br/>Fig. 4 Driving system</p> | CPCD20/25-XRW10  |                | CPCD20/25-XRW43   | CPCD20/25-XRW56 | CPQD20/25-XRW22                 |                          |
|---|------------------|----------------|-------------------|-----------------|---------------------------------|--------------------------|
|   | CPQYD20/25-XRW22 |                |                   |                 |                                 |                          |
|   | 序号<br>Item       | 物料码<br>Part No | 名称<br>Description | 数量<br>Qty       | 备注或适用车型<br>Remarks or Serial No | 原物料码<br>Original Part No |
|   | 13               | 300010060011   | 螺栓 M10×1.25×35    | 7               |                                 | G005786-010035-00        |
|   | 13               | 300010040013   | 螺栓 M10×35         | 8               |                                 | G005783-010035-00        |
|   | 13               | 300010060011   | 螺栓 M10×1.25×35    | 2               |                                 | G005786-010035-00        |
|   | 14               | 300010040173   | 螺栓 M8×20          | 12              |                                 | G005783-008020-00        |
|   | 15               | 见图 1 See Fig.1 | 前轮总成(单轮)          | 2               |                                 |                          |
|   | 15               | 见图 2 See Fig.2 | 内前轮总成(双轮)Inner    | 2               |                                 |                          |
|   | 15               | 见图 2 See Fig.2 | 外前轮总成(双轮)Outer    | 2               |                                 |                          |



| 图5 传动系统<br>Fig. 5 Driving system | CPCD20/25-XRW10B<br>CPQD20/25-XRW22B | CPCD20/25-XRW33B<br>CPQYD20/25-XRW22B | CPCD20/25-XRW55B | CPCD20/25-XRW56B                |                          |
|----------------------------------|--------------------------------------|---------------------------------------|------------------|---------------------------------|--------------------------|
| 序号<br>Item                       | 物料码<br>Part No                       | 名称<br>Description                     | 数量<br>Qty        | 备注或适用车型<br>Remarks or Serial No | 原物料码<br>Original Part No |
| 1                                | 201100000451                         | 驱动桥总成                                 | 1                | 见图12 See Fig.12                 | XRB267-110000-000        |
| 2                                | 300010060028                         | 螺栓 M12×1.25×35                        | 14               |                                 | G005786-012035-00        |
| 3                                | 300030010002                         | 垫圈 12                                 | 26               |                                 | G000093-000012-00        |
| 4                                | 201100210005                         | 主传动箱                                  | 1                | 2t-2.5t                         | Y48140X-000-G00          |
| 5                                | 300010050009                         | 螺栓 M10×1.25×50                        | 8                |                                 | G005785-010050-04        |
| 6                                | 300030010001                         | 垫圈 10                                 | 16               |                                 | G000093-000010-00        |
| 7                                | 201200010004                         | 翼形联轴器总成                               | 1                | 见图23 序号3                        | R561-130000-000          |

|  |    |              |                |    |  |                   |
|--|----|--------------|----------------|----|--|-------------------|
|  | 8  | 300030010015 | 垫圈 8           | 12 |  | G000093-000008-00 |
|  | 9  | 300010040173 | 螺栓 M8×20       | 12 |  | G005783-008020-00 |
|  | 10 | 300030010001 | 螺栓 M10×1.25×35 | 7  |  | G000093-000010-00 |
|  | 10 | 300030010001 | 螺栓 M10×1.25×35 | 8  |  | G000093-000010-00 |
|  | 10 | 300030010001 | 螺栓 M10×1.25×35 | 2  |  | G000093-000010-00 |
|  | 10 | 300010030011 | 螺栓 M10×35      | 8  |  | G005782-010035-00 |
|  | 11 | 300010030015 | 螺栓 M10×50      | 1  |  | G005782-010050-00 |
|  | 11 | 300010030014 | 螺栓 M10×45      | 1  |  | G005782-010045-00 |

|                                   |                  |                   |                   |                  |                                 |                          |
|-----------------------------------|------------------|-------------------|-------------------|------------------|---------------------------------|--------------------------|
| 图 5 传动系统<br>Fig. 5 Driving system | CPCD20/25-XRW10B | CPCD20/25-XRW33B  | CPCD20/25-XRW55B  | CPCD20/25-XRW56B |                                 |                          |
|                                   | CPQD20/25-XRW22B | CPQYD20/25-XRW22B |                   |                  |                                 |                          |
|                                   | 序号<br>Item       | 物料码<br>Part No    | 名称<br>Description | 数量<br>Qty        | 备注或适用车型<br>Remarks or Serial No | 原物料码<br>Original Part No |
|                                   | 11               | 300010030014      | 螺栓 M10×45         | 6                |                                 | G005782-010045-00        |
|                                   | 12               | 300020010006      | 螺母 M10            | 1                |                                 | G006170-000010-00        |
|                                   | 12               | 300020010006      | 螺母 M10            | 6                |                                 | G006170-000010-00        |
|                                   | 13               | 300010050014      | 螺栓 M12×1.25×40    | 6                |                                 | G005785-012040-00        |
|                                   | 14               | 201200070016      | 左减震垫              | 1                |                                 | K91331-30031-G00         |
|                                   | 15               | 201200070015      | 右减震垫              | 1                |                                 | K91331-30041-G00         |

|    |              |                |                |   |                  |                   |
|----|--------------|----------------|----------------|---|------------------|-------------------|
|    | 16           | 300010050019   | 螺栓 M12×1.25×90 | 2 |                  | G005785-012090-00 |
|    | 17           | 201200000086   | 液力变速箱          | 1 | 包含INC:Fig.22-26, | Y43160X-000-G00   |
|    | 18           | 207900040001   | 导线夹片           | 1 |                  | N163-700011-000   |
|    | 19           | 300010060024   | 螺栓 M12×1.25×25 | 4 |                  | G005786-012025-00 |
|    | 20           | 201200090005   | 支架             | 2 |                  | R561-101000-000   |
|    | 21           | 见图 1 See Fig.1 | 前轮总成(单轮)       | 2 |                  |                   |
|    | 21           | 见图 2 See Fig.2 | 内前轮总成(双轮)Inner | 2 |                  |                   |
|    | 21           | 见图 2 See Fig.2 | 外前轮总成(双轮)Outer | 2 |                  |                   |
| 22 | 810120000147 | 1598H 密封胶      | 1              |   |                  |                   |

|   |  |              |                |                   |                   |                                 |                          |
|---|--|--------------|----------------|-------------------|-------------------|---------------------------------|--------------------------|
|   | CPCD20/25-XRG71    CPCD20/25-XRG72    CPCD20/25-XRG72J    CPCD20/25-XRW10<br>CPCD20/25-XRW10B    CPCD20/25-XRW33B    CPCD20/25-XRW43    CPCD20/25-XRW43B<br>CPCD20/25-XRW55B    CPCD20/25-XRW56    CPCD20/25-XRW56B    CPQD20/25-XRW22 |              |                |                   |                   |                                 |                          |
|   | 图 6 冷却油管总成<br>Fig.6 Cooling oil pipe assy  | 序号<br>Item   | 物料码<br>Part No | 名称<br>Description | 数量<br>Qty         | 备注或适用车型<br>Remarks or Serial No | 原物料码<br>Original Part No |
|   | A1   | 201600000099 | 冷却油管总成         | 1                 |                   | XR310-140000-000                |                          |
|   | A2   | 201600000118 | 冷却油管总成         | 1                 |                   | XRB317-140000-000               |                          |
|   | 1  | 209990000879 | 蜗杆传动式软管环箍 25   | 4                 |                   | Q675-25-G00                     |                          |
|   | 2  | 300010040165 | 螺栓 M8×12       | 4                 |                   | G005783-008012-00               |                          |
| 3 | 300030010015   | 垫圈 8         | 4              |                   | G000093-000008-00 |                                 |                          |

|  |    |              |           |   |  |                   |
|--|----|--------------|-----------|---|--|-------------------|
|  | 4  | 310040010149 | 抱箍        | 2 |  | N160-110002-000   |
|  | 5  | 209990004239 | 胶管 L=1980 | 1 |  | N160-110002-W00   |
|  | 5  | 201600060246 | 胶管 L=2050 | 1 |  | XRB317-140002-000 |
|  | 6  | 203300090019 | 胶管 L=1400 | 1 |  | N164-110002-W00   |
|  | 6  | 201600060245 | 胶管 L=1480 | 1 |  | XRB317-140001-000 |
|  | 7  | 310050080012 | 回油管接头     | 2 |  | N160-110001-000   |
|  | 8  | 300030140003 | 垫圈 14     | 2 |  | J000982-000014-00 |
|  | 9  | 300030040014 | 垫圈 8      | 4 |  | G0097P1-000008-00 |
|  | 10 | 310040010073 | 管夹        | 1 |  | H510-500001-000   |
|  |    |              |           |   |  |                   |

|                                 |                  |                   |                   |                   |                                 |                          |
|---------------------------------|------------------|-------------------|-------------------|-------------------|---------------------------------|--------------------------|
| 图7 传动系统<br>Fig.7 Driving system | CPCD20/25-XRG72F | CPCD20/25-XRW10F  | CPCD20/25-XRW33F  | CPCD20/25-XRW43F  |                                 |                          |
|                                 | CPCD20/25-XRW55F | CPCD20/25-XRW56F  | CPCD20/25-XRW92F  | CPQD20/25-XRW22F  |                                 |                          |
|                                 | CPQD20/25-XRW22F | CPQYD20/25-XRW22F | CPYD20/25-XRW52F  | CPCD20/25-XRG72JF |                                 |                          |
|                                 | 序号<br>Item       | 物料码<br>Part No    | 名称<br>Description | 数量<br>Qty         | 备注或适用车型<br>Remarks or Serial No | 原物料码<br>Original Part No |
|                                 | 1                | 201100000470      | 驱动桥总成             | 1                 | 见图13 See Fig.13                 | XRF260-110000-000        |
|                                 | 2                | 810120000147      | 1598H 密封胶         | 1                 |                                 | 159895                   |
|                                 | 3                | 300050030053      | 销 D12×35          | 3                 |                                 | G000119-012035-03        |
|                                 | 4                | 300030010002      | 垫圈 12             | 13                |                                 | G000093-000012-00        |

|  |    |                |                 |    |  |                   |
|--|----|----------------|-----------------|----|--|-------------------|
|  | 5  | 300010060028   | 螺栓 M12×35       | 13 |  | G005786-012035-00 |
|  | 6  | 见图 30-图 34     | 液力变速箱 Hydraulic | 1  |  |                   |
|  | 7  | 300010060012   | 螺栓 M10×1.25×35  | 7  |  | G005786-010035-04 |
|  | 7  | 300010040019   | 螺栓 M10×50       | 1  |  | G005783-010050-00 |
|  | 8  | 300030010001   | 垫圈 10           | 8  |  | G000093-000010-00 |
|  | 9  | 300010040174   | 螺栓 M8×20        | 12 |  | G005783-008020-01 |
|  | 10 | 300030010015   | 垫圈 8            | 12 |  | G000093-000008-00 |
|  | 11 | 201600000117   | 冷却油管总成          | 1  |  | XRF310-140000-000 |
|  | 12 | 300020010006   | 螺母 M10          | 1  |  | G006170-000010-00 |
|  | 13 | 见图 1 See Fig.1 | 前轮总成(单轮)        | 2  |  |                   |
|  | 13 | 见图 2 See Fig.2 | 内前轮总成(双轮)Inner  | 2  |  |                   |

|                                  |                  |                   |                   |                          |                                 |                          |
|----------------------------------|------------------|-------------------|-------------------|--------------------------|---------------------------------|--------------------------|
| 图 7 传动系统<br>Fig.7 Driving system | CPCD20/25-XRG72F | CPCD20/25-XRW10F  | CPCD20/25-XRW33F  | CPCD20/25-XRW43F         |                                 |                          |
|                                  | CPCD20/25-XRW55F | CPCD20/25-XRW56F  | CPCD20/25-XRW92F  | CPQD20/25-XRW22F         |                                 |                          |
|                                  | CPQD20/25-XRW22F | CPQYD20/25-XRW22F | CPYD20/25-XRW52F  | <b>CPCD20/25-XRG72JF</b> |                                 |                          |
|                                  | 序号<br>Item       | 物料码<br>Part No    | 名称<br>Description | 数量<br>Qty                | 备注或适用车型<br>Remarks or Serial No | 原物料码<br>Original Part No |
|                                  | 13               | 见图 2 See Fig.2    | 外前轮总成(双轮)Outer    | 2                        |                                 |                          |
|                                  |                  |                   |                   |                          |                                 |                          |
|                                  |                  |                   |                   |                          |                                 |                          |





|  |    |              |           |   |  |                   |
|--|----|--------------|-----------|---|--|-------------------|
|  | 2  | 300010040165 | 螺栓 M8×12  | 4 |  | G005783-008012-00 |
|  | 3  | 300030010015 | 垫圈 8      | 4 |  | G000093-000008-00 |
|  | 4  | 310040010149 | 抱箍        | 2 |  | N160-110002-000   |
|  | 5  | 209990004237 | 胶管 L=1980 | 1 |  | XR310-140002-000  |
|  | 6  | 209990004219 | 胶管 L=1400 | 1 |  | XR310-140001-000  |
|  | 7  | 310050010002 | 大管接头      | 1 |  | XF250-120005-000  |
|  | 8  | 300030140006 | 垫圈 20     | 1 |  | J000982-000020-00 |
|  | 9  | 300030040014 | 垫圈 8      | 4 |  | G0097P1-000008-00 |
|  | 10 | 310040010073 | 管夹        | 2 |  | H510-500001-000   |
|  | 11 | 310050080014 | 回油管接头     | 2 |  | XF250-120002-000  |
|  | 12 | 310050080094 | 小管接头      | 1 |  | XF250-120001-000  |
|  | 13 | 300030140004 | 垫圈 16     | 1 |  | J000982-000016-00 |

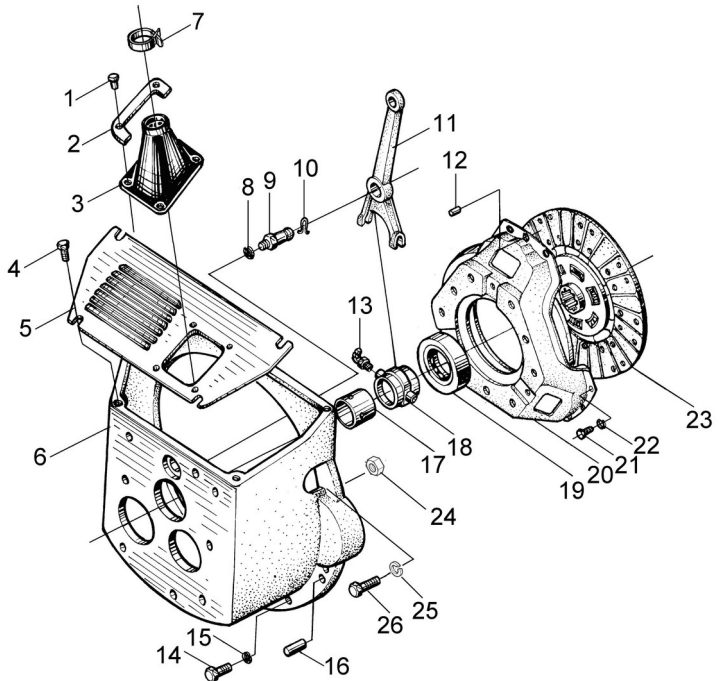
|                                 |                |                |                   |                 |                                 |                          |
|---------------------------------|----------------|----------------|-------------------|-----------------|---------------------------------|--------------------------|
| 图9 传动系统<br>Fig.9 Driving system | CPC20/25-XRG72 |                | CPC20/25-XRW10    | CPC20/25-XRG72J | CPC20/25-XRW55                  |                          |
|                                 | 序号<br>Item     | 物料码<br>Part No | 名称<br>Description | 数量<br>Qty       | 备注或适用车型<br>Remarks or Serial No | 原物料码<br>Original Part No |
|                                 | 1              | 201100000174   | 驱动桥总成             | 1               | 见图11 See Fig.11                 | A250-110000-000          |

|  |    |                  |                  |    |  |                   |
|--|----|------------------|------------------|----|--|-------------------|
|  | 2  | 810120000147     | 1598H 密封胶        | 1  |  | 159895            |
|  | 3  | 300050100009     | 销 B10×25         | 1  |  | G000120-010025-01 |
|  | 4  | 300030010001     | 垫圈 12            | 12 |  | G000093-000010-00 |
|  | 5  | 300010040037     | 螺栓 M12×40        | 10 |  | G005783-012040-00 |
|  | 6  | 300010040033     | 螺栓 M12×30        | 2  |  | G005783-012030-00 |
|  | 7  | 201200000350     | 机械变速箱 Mechanical | 1  |  | XR250-120000-G00  |
|  | 8  | 201400030006     | 纸垫               | 1  |  | 30HB-100002       |
|  | 9  | 见图 10 See Fig.10 | 离合器              | 1  |  |                   |
|  | 10 | 300030010001     | 垫圈 10            | 7  |  | G000093-000010-00 |
|  | 11 | 300010040011     | 螺栓 M10×30        | 7  |  | G005783-010030-00 |
|  | 12 | 见图 1 See Fig.1   | 前轮总成(单轮)         | 2  |  |                   |
|  | 12 | 见图 2 See Fig.2   | 内前轮总成(双轮)Inner   | 2  |  |                   |
|  | 12 | 见图 2 See Fig.2   | 外前轮总成(双轮)Outer   | 2  |  |                   |
|  |    |                  |                  |    |  |                   |

|                           |                |                |                   |           |                                 |                          |                |  |
|---------------------------|----------------|----------------|-------------------|-----------|---------------------------------|--------------------------|----------------|--|
| 图 10 离合器<br>Fig.10 Clutch | CPC20/25-XRG72 |                | CPC20/25-XRW10    |           | CPC20/25-XRG72J                 |                          | CPC20/25-XRW55 |  |
|                           | 序号<br>Item     | 物料码<br>Part No | 名称<br>Description | 数量<br>Qty | 备注或适用车型<br>Remarks or Serial No | 原物料码<br>Original Part No |                |  |

|  |    |              |  |   |             |                   |
|--|----|--------------|--|---|-------------|-------------------|
|  | A1 | 201400000043 | 离合器  | 1 |             | XR300-130000-000  |
|  | A2 | 201400000011 | 离合器  | 1 |             | N152-120000-000   |
|  | 1  | 206400120002 | 扣件   | 4 |             | N163-610100-W00   |
|  | 2  | 201400140001 | 压板   | 2 |             | N150-120005-000   |
|  | 3  | 201400040002 | 防尘罩  | 1 |             | N150-120003-000   |
|  | 4  | 310070030007 | 螺钉组件   | 4 |             | N163-420100-000   |
|  | 5  | 201400110001 | 离合器盖   | 1 |             | N150-120004-000   |
|  | 6  | 201400120001 | 离合器壳   | 1 |             | N150-120001-000   |
|  | 6  | 201400120013 | 离合器壳   | 1 |             | N152-120001-000   |
|  | 7  | 207900080008 | 捆线带 PKD-100  | 1 |             | PKD-100-G00       |
|  | 8  | 300030010002 | 垫圈 12  | 1 |             | G000093-000012-00 |
|  | 9  | 201400060018 | 分离叉球形支柱 Ball-ended supporting stud,clutch release fork | 1 | <2018-05-25 | XR300-130002-000  |
|  | 9  | 201400060006 | 分离叉球形支柱 Ball-ended supporting stud,clutch release fork | 1 | ≥2018-05-25 | R9217-110001-000  |

|                           |                |                |                 |                |  |
|---------------------------|----------------|----------------|-----------------|----------------|--|
| 图 10 离合器<br>Fig.10 Clutch | CPC20/25-XRG72 | CPC20/25-XRW10 | CPC20/25-XRG72J | CPC20/25-XRW55 |  |
|---------------------------|----------------|----------------|-----------------|----------------|--|



| 序号<br>Item | 物料码<br>Part No | 名称<br>Description                                      | 数量<br>Qty | 备注或适用车型<br>Remarks or Serial No | 原物料码<br>Original Part No |
|------------|----------------|--|-----------|---------------------------------|--------------------------|
| 9          | 201400060006   | 分离叉球形支柱 Ball-ended supporting stud,clutch release fork | 1         |                                 | R9217-110001-000         |
| 10         | 201400020001   | 挡圈   | 1         |                                 | N150-120007-000          |
| 11         | 201400050002   | 分离拨叉   | 1         |                                 | N150-120006-000          |
| 12         | 300050030045   | 销 B6×12  | 3         |                                 | G000119-006012-01        |
| 13         | 300170040007   | 油杯 45° M6  | 1         |                                 | G001153-006000-00        |
| 14         | 300010040013   | 螺栓 M10×35  | 9         |                                 | G005783-010035-00        |
| 14         | 300010060011   | 螺栓 M10×1.25×35   | 7         |                                 | G005786-010035-00        |
| 15         | 300030010001   | 垫圈 10  | 9         |                                 | G000093-000010-00        |
| 15         | 300030010001   | 垫圈 10  | 7         |                                 | G000093-000010-00        |
| 16         | 300050100001   | 销 10×35  | 2         |                                 | G000120-010035-00        |
| A3         | 201400080001   | 分离轴承套筒总成   | 1         | 包含/INC:13,17,18                 | N150-121000-000          |
| 17         | 201100070005   | 衬套   | 1         |                                 | N150-121002-000          |
| 18         | 201400080002   | 分离轴承套筒   | 1         |                                 | N150-121001-000          |
| 19         | 201400050019   | 分离轴承 9688211   | 1         |                                 | 9688211-G00              |

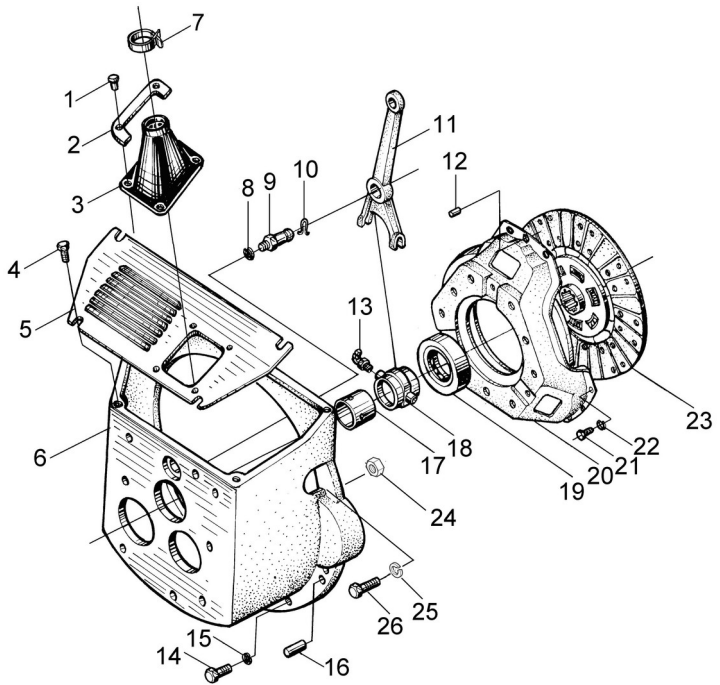
图 10 离合器  
Fig.10 Clutch

CPC20/25-XRG72

CPC20/25-XRW10

CPC20/25-XRG72J

CPC20/25-XRW55



| 序号<br>Item | 物料码<br>Part No | 名称<br>Description | 数量<br>Qty | 备注或适用车型<br>Remarks or Serial No | 原物料码<br>Original Part No |
|------------|----------------|-------------------|-----------|---------------------------------|--------------------------|
| 20         | 201400130016   | 离合器压盘             | 1         |                                 | XR300-132000-000         |
| 21         | 300010040169   | 螺栓 M8×16          | 12        |                                 | G005783-008016-00        |
| 22         | 300030010015   | 垫圈 8              | 12        |                                 | G000093-000008-00        |
| 23         | 201400100003   | 离合器从动盘总成          | 1         | <2018-07-24                     | N150-124000-000          |
| 23         | 201400100030   | 离合器从动盘总成          | 1         | ≥2018-07-24                     | XR300-131000-000         |
| 24         | 300020010006   | 螺母 M10            | 1         |                                 | G006170-000010-00        |
| 25         | 300030010001   | 垫圈 10             | 1         |                                 | G000093-000010-00        |
| 26         | 300010030015   | 螺栓 M10×50         | 1         |                                 | G005782-010050-00        |
|            |                |                   |           |                                 |                          |
|            |                |                   |           |                                 |                          |
|            |                |                   |           |                                 |                          |
|            |                |                   |           |                                 |                          |
|            |                |                   |           |                                 |                          |
|            |                |                   |           |                                 |                          |
|            |                |                   |           |                                 |                          |
|            |                |                   |           |                                 |                          |
|            |                |                   |           |                                 |                          |
|            |                |                   |           |                                 |                          |

|                                      |                 |                 |                   |                  |                                 |                          |
|--------------------------------------|-----------------|-----------------|-------------------|------------------|---------------------------------|--------------------------|
| 图 11 驱动桥总成<br>Fig.11 Drive axle assy | CPCD20/25-XRG71 | CPCD20/25-XRG72 | CPC20/25-XRG72    | CPCD20/25-XRG72J |                                 |                          |
|                                      | CPC20/25-XRG72J | CPCD20/25-XRW10 | CPC20/25-XRW10    | CPCD20/25-XRW43  |                                 |                          |
|                                      | CPCD20/25-XRW56 | CPQD20/25-XRW22 | CPQYD20/25-XRW22  | CPCD20/25-XRG2   |                                 |                          |
|                                      | 序号<br>Item      | 物料码<br>Part No  | 名称<br>Description | 数量<br>Qty        | 备注或适用车型<br>Remarks or Serial No | 原物料码<br>Original Part No |
|                                      | A1              | 201100000174    | 驱动桥总成             | 1                |                                 | A250-110000-000          |
|                                      | 1               | 201700000193    | 左制动器总成            | 1                | 见图14 See Fig.14                 | N120-111000-G01          |
|                                      | 2               | 201100250132    | 左支撑板              | 1                |                                 | N120-110001-001          |
|                                      | 3               | 300270010006    | 六角螺塞 M16×1.5      | 1                |                                 | J001000-0161P5-00        |
|                                      | 4               | 300030140004    | 垫圈 16             | 1                |                                 | J000982-000016-00        |
|                                      | 5               | 201100050029    | 呼吸器               | 1                |                                 | XB450-115000-000         |
|                                      | 6               | 201100050038    | 内六角螺塞             | 1                |                                 | RC250-110004-000         |
|                                      | 7               | 300030140016    | 垫圈 22             | 1                |                                 | J000982-000022-00        |
|                                      | 8               | 201100060002    | 螺塞                | 1                |                                 | N163-110016-000          |
|                                      | 9               | 300030140006    | 垫圈 20             | 1                |                                 | J000982-000020-00        |
|                                      | 10              | 201100100117    | 桥体                | 1                |                                 | A250-111001-000          |
|                                      | 11              | 201100020077    | 连接螺栓              | 8                |                                 | A300-110003-000          |
|                                      | 12              | 201100250121    | 右支撑板              | 1                |                                 | N120-110002-001          |
|                                      | 13              | 201100040129    | 垫板                | 1                |                                 | N163-110003-000          |

|       |    |              |       |    |                   |
|-------|----|--------------|-------|----|-------------------|
| 17 18 | 14 | 300030010006 | 垫圈 20 | 12 | G000093-000020-00 |
|-------|----|--------------|-------|----|-------------------|

| 图 11 驱动桥总成<br>Fig.11 Drive axle assembly |                  | CPCD20/25-XRG71   | CPCD20/25-XRG72 | CPC20/25-XRG72                  | CPCD20/25-XRG72J         |  |
|--|------------------|-------------------|-----------------|---------------------------------|--------------------------|--|
|  |                  | CPC20/25-XRG72J   | CPCD20/25-XRW10 | CPC20/25-XRW10                  | CPCD20/25-XRW43          |  |
|  |                  | CPCD20/25-XRW56   | CPQD20/25-XRW22 | CPQYD20/25-XRW22                | CPCD20/25-XRG2           |  |
| 序号<br>Item                               | 物料码<br>Part No   | 名称<br>Description | 数量<br>Qty       | 备注或适用车型<br>Remarks or Serial No | 原物料码<br>Original Part No |  |
| 15                                       | 300020020022     | 螺母 M20×1.5        | 20              |                                 | G006171-000020-05        |  |
| 16                                       | 见图 15 See Fig.15 | 右制动器              | 1               |                                 |                          |  |
| 17                                       | 300030090008     | 垫圈 14             | 16              |                                 | G007244-000014-00        |  |
| 18                                       | 310010020065     | 制动器底板螺栓           | 16              |                                 | A300-110005-000          |  |
| 19                                       | 300320010016     | 油封 FB105×140×12   | 2               |                                 | G9877P1-140010512-01     |  |
| 20                                       | 201100150008     | 油封座               | 2               |                                 | A300-110001-000          |  |
| 21                                       | 201100130005     | 轴承 7816           | 2               |                                 | A300-110010-G00          |  |
| 24                                       | 201100020015     | 轮毂螺栓              | 12              | 2.0t-2.5t                       | N120-110006-000          |  |
| 24                                       | 201100020020     | 轮毂螺栓              | 12              | 2.0t-2.5t                       | N120-110001-500          |  |
| 25                                       | 201100080004     | 轮毂螺母              | 12              |                                 | N163-110015-000          |  |
| 26                                       | 201100130001     | 轴承 7815           | 2               |                                 | N163-110100-G00          |  |
| 27                                       | 201100080006     | 锁紧螺母              | 2               |                                 | N163-110009-000          |  |
| 28                                       | 201100110002     | 锁紧片               | 2               |                                 | N163-110011-000          |  |



|  |    |              |          |   |  |                   |
|--|----|--------------|----------|---|--|-------------------|
|  | 29 | 300030010014 | 垫圈 6     | 4 |  | G000093-000006-00 |
|  | 30 | 300010040145 | 螺栓 M6×12 | 4 |  | G005783-006012-00 |

|                                      |                 |                 |                   |                  |                                 |                          |
|--------------------------------------|-----------------|-----------------|-------------------|------------------|---------------------------------|--------------------------|
| 图 11 驱动桥总成<br>Fig.11 Drive axle assy | CPCD20/25-XRG71 | CPCD20/25-XRG72 | CPC20/25-XRG72    | CPCD20/25-XRG72J |                                 |                          |
|                                      | CPC20/25-XRG72J | CPCD20/25-XRW10 | CPC20/25-XRW10    | CPCD20/25-XRW43  |                                 |                          |
|                                      | CPCD20/25-XRW56 | CPQD20/25-XRW22 | CPQYD20/25-XRW22  | CPCD20/25-XRG2   |                                 |                          |
|                                      | 序号<br>Item      | 物料码<br>Part No  | 名称<br>Description | 数量<br>Qty        | 备注或适用车型<br>Remarks or Serial No | 原物料码<br>Original Part No |
|                                      | 31              | 300320040005    | 油封 PD45×62×12     | 2                |                                 | HG40692-045006212-00     |
|                                      | 32              | 201100160012    | 纸垫                | 2                |                                 | N163-110018-000          |
|                                      | 33              | 201100010074    | 半轴                | 2                |                                 | N150-110001-001          |
|                                      | 37              | 201100020088    | 半轴螺栓              | 20               |                                 | A300-110006-000          |
|                                      | 38              | 201100090043    | 轮毂                | 2                |                                 | A250-110002-000          |
|                                      |                 |                 |                   |                  |                                 |                          |
|                                      |                 |                 |                   |                  |                                 |                          |
|                                      |                 |                 |                   |                  |                                 |                          |
|                                      |                 |                 |                   |                  |                                 |                          |
|                                      |                 |                 |                   |                  |                                 |                          |
|                                      |                 |                 |                   |                  |                                 |                          |
|                                      |                 |                 |                   |                  |                                 |                          |
|                                      |                 |                 |                   |                  |                                 |                          |

|  |  |  |  |  |  |
|--|--|--|--|--|--|
|  |  |  |  |  |  |
|  |  |  |  |  |  |
|  |  |  |  |  |  |

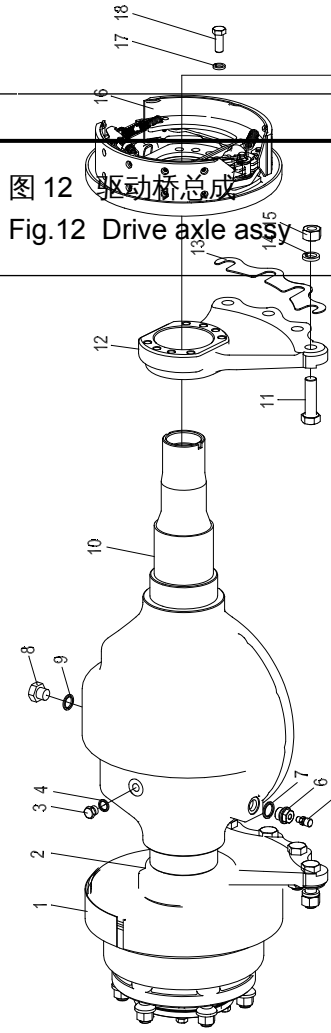
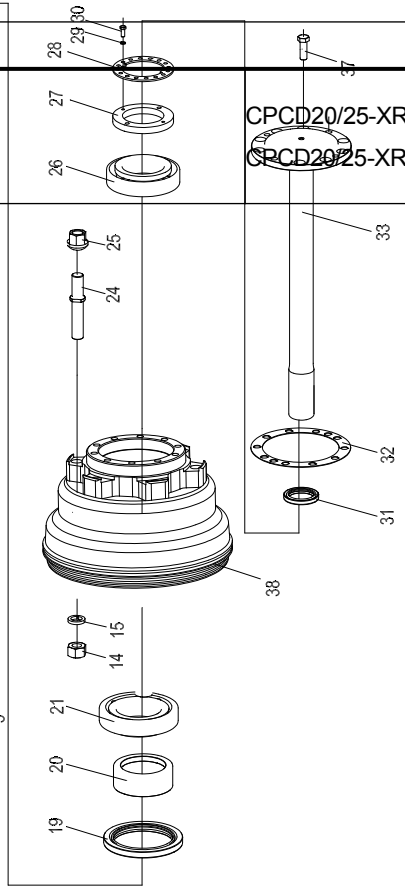


图 12 驱动桥总成  
Fig.12 Drive axle assy



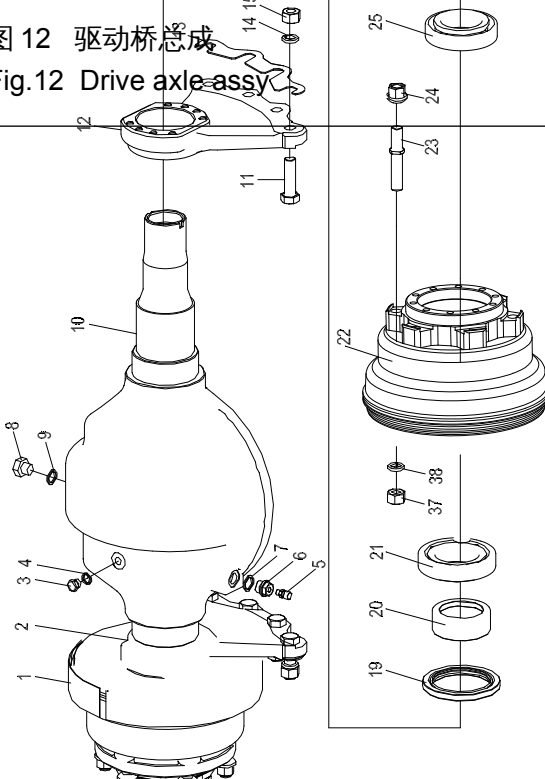
CPCD20/25-XRW10B    CPCD20/25-XRW33B    CPCD20/25-XRW43B    CPCD20/25-XRW55B  
CPCD20/25-XRW56B    CPQD20/25-XRW22B    **CPQYD20/25-XRW22B**

| 序号<br>Item | 物料码<br>Part No | 名称<br>Description | 数量<br>Qty | 备注或适用车型<br>Remarks or Serial No | 原物料码<br>Original Part No |
|------------|----------------|-------------------|-----------|---------------------------------|--------------------------|
| A2         | 201100000451   | 驱动桥总成             | 1         |                                 | XRB267-110000-000        |
| 1          | 201700000193   | 左制动器总成            | 1         | 见图14 See Fig.14                 | N120-111000-G01          |
| 2          | 201100250138   | 左支撑板              | 1         |                                 | R531-110001-001          |
| 3          | 300270010006   | 螺塞 M16×1.5        | 1         |                                 | J001000-0161P5-00        |
| 4          | 300030140004   | 垫圈 16             | 1         |                                 | J000982-000016-00        |
| 5          | 201100050029   | 呼吸器               | 1         |                                 | XB450-115000-000         |
| 6          | 201100050038   | 螺塞                | 1         |                                 | RC250-110004-000         |
| 7          | 300030140016   | 垫圈 22             | 1         |                                 | J000982-000022-00        |
| 8          | 201100060002   | 螺塞                | 1         |                                 | N163-110016-000          |
| 9          | 300030140006   | 垫圈 20             | 1         |                                 | J000982-000020-00        |
| 10         | 201100100236   | 桥体                | 1         |                                 | XRB267-113000-000        |

|  |    |              |       |    |  |                   |
|--|----|--------------|-------|----|--|-------------------|
|  | 11 | 201100020013 | 连接螺栓  | 8  |  | XF250-110003-000  |
|  | 12 | 201100250124 | 右支撑板  | 1  |  | R531-110002-001   |
|  | 13 | 201100040129 | 垫板    | 1  |  | N163-110003-000   |
|  | 14 | 300030010006 | 垫圈 20 | 12 |  | G000093-000020-00 |

|                                      |                  |                  |                   |                   |                                 |                          |
|--------------------------------------|------------------|------------------|-------------------|-------------------|---------------------------------|--------------------------|
| 图 12 驱动桥总成<br>Fig.12 Drive axle assy | CPCD20/25-XRW10B |                  | CPCD20/25-XRW33B  | CPCD20/25-XRW43B  | CPCD20/25-XRW55B                |                          |
|                                      | CPCD20/25-XRW56B |                  | CPQD20/25-XRW22B  | CPQYD20/25-XRW22B |                                 |                          |
|                                      | 序号<br>Item       | 物料码<br>Part No   | 名称<br>Description | 数量<br>Qty         | 备注或适用车型<br>Remarks or Serial No | 原物料码<br>Original Part No |
|                                      | 15               | 300020020009     | 螺母 M20×1.5        | 8                 |                                 | G006171-000020-02        |
|                                      | 16               | 见图 15 See Fig.15 | 右制动器总成            | 1                 |                                 |                          |
|                                      | 17               | 300030090008     | 垫圈 14             | 16                |                                 | G007244-000014-00        |
|                                      | 18               | 310010020037     | 螺栓                | 16                |                                 | XF250-110007-000         |
|                                      | 19               | 300320010016     | 油封 FB105×140×12   | 2                 |                                 | G9877P1-140010512-01     |
|                                      | 20               | 201100150008     | 油封座               | 2                 |                                 | A300-110001-000          |
|                                      | 21               | 201100130005     | 轴承 7816           | 2                 |                                 | A300-110010-G00          |
|                                      | 22               | 201100090047     | 轮毂                | 2                 |                                 | XF250-110004-001         |
|                                      | 23               | 201100020015     | 轮毂螺栓              | 12                | 2.0t-2.5t                       | N120-110006-000          |
|                                      | 23               | 201100020020     | 轮毂螺栓              | 12                | 2.0t-2.5t                       | N120-110001-500          |

|   |    |              |         |    |  |                   |
|---|----|--------------|---------|----|--|-------------------|
|  | 24 | 201100080004 | 轮毂螺母    | 12 |  | N163-110015-000   |
|   | 25 | 201100130001 | 轴承 7815 | 2  |  | N163-110100-G00   |
|   | 26 | 201100080006 | 锁紧螺母    | 2  |  | N163-110009-000   |
|   | 27 | 201100110002 | 锁紧片     | 2  |  | N163-110011-000   |
|   | 28 | 300030010014 | 垫圈 6    | 4  |  | G000093-000006-00 |

|   |                                      |                |                                      |  |                                 |                          |
|---|--------------------------------------|----------------|--------------------------------------|--|---------------------------------|--------------------------|
| <p>图 12 驱动桥总成<br/>Fig.12 Drive axle assy</p>  | CPCD20/25-XRW10B<br>CPCD20/25-XRW56B |                | CPCD20/25-XRW33B<br>CPQD20/25-XRW22B | CPCD20/25-XRW43B<br><b>CPQYD20/25-XRW22B</b> | CPCD20/25-XRW55B                |                          |
|   | 序号<br>Item                           | 物料码<br>Part No | 名称<br>Description                    | 数量<br>Qty                                    | 备注或适用车型<br>Remarks or Serial No | 原物料码<br>Original Part No |
|   | 29                                   | 300010040145   | 螺栓 M6×12                             | 4  |                                 | G005783-006012-00        |
|   | 30                                   | 300320040006   | 油封 PD48×62×12                        | 2  |                                 | HG40692-048006212-00     |
|   | 31                                   | 201100160012   | 纸垫                                   | 2  |                                 | N163-110018-000          |
|   | 32                                   | 201100010018   | 半轴                                   | 2  |                                 | XB250-110001-000         |
|   | 33                                   | 300050030053   | 销 D12×35                             | 2  |                                 | G000119-012035-03        |
|   | 34                                   | 201100070009   | 压紧衬套                                 | 18   |                                 | N163-110019-000          |
|   | 35                                   | 300030090002   | 垫圈 12                                | 18   |                                 | G007244-000012-00        |
|   | 36                                   | 310010020035   | 螺栓                                   | 18   |                                 | N163-110021-000          |

|  |  |  |  |  |  |
|--|--|--|--|--|--|
|  |  |  |  |  |  |
|  |  |  |  |  |  |
|  |  |  |  |  |  |
|  |  |  |  |  |  |
|  |  |  |  |  |  |
|  |  |  |  |  |  |

|                                      |                   |                  |                   |                  |                                 |                          |
|--------------------------------------|-------------------|------------------|-------------------|------------------|---------------------------------|--------------------------|
| 图 13 驱动桥总成<br>Fig.13 Drive axle assy | CPCD20/25-XRG72F  | CPCD20/25-XRW10F | CPCD20/25-XRW33F  | CPCD20/25-XRW43F |                                 |                          |
|                                      | CPCD20/25-XRW55F  | CPCD20/25-XRW56F | CPCD20/25-XRW92F  | CPQD20/25-XRW22F |                                 |                          |
|                                      | CPQYD20/25-XRW22F | CPYD20/25-XRW52F | CPCD20/25-XRG72JF |                  |                                 |                          |
|                                      | 序号<br>Item        | 物料码<br>Part No   | 名称<br>Description | 数量<br>Qty        | 备注或适用车型<br>Remarks or Serial No | 原物料码<br>Original Part No |
|                                      | A3                | 201100000470     | 驱动桥总成             | 1                |                                 | XRF260-110000-000        |
|                                      | 1                 | 201700000193     | 左制动器总成            | 1                | 见图14 See Fig.14                 | N120-111000-G01          |
|                                      | 2                 | 201100250138     | 左支撑板              | 1                |                                 | R531-110001-001          |
|                                      | 3                 | 300270010006     | 螺塞 M16×1.5        | 1                |                                 | J001000-0161P5-00        |
|                                      | 4                 | 300030140004     | 垫圈 16             | 1                |                                 | J000982-000016-00        |
|                                      | 5                 | 201100050029     | 呼吸器               | 1                |                                 | XB450-115000-000         |
|                                      | 6                 | 201100050038     | 螺塞                | 1                |                                 | RC250-110004-000         |
|                                      | 7                 | 300030140016     | 垫圈 22             | 1                |                                 | J000982-000022-00        |

|  |    |              |       |    |  |                   |
|--|----|--------------|-------|----|--|-------------------|
|  | 8  | 201100060002 | 螺塞    | 1  |  | N163-110016-000   |
|  | 9  | 300030140006 | 垫圈 20 | 1  |  | J000982-000020-00 |
|  | 10 | 201100100253 | 桥体    | 1  |  | XRF260-110005-000 |
|  | 11 | 201100020013 | 连接螺栓  | 8  |  | XF250-110003-000  |
|  | 12 | 201100250124 | 右支撑板  | 1  |  | R531-110002-001   |
|  | 13 | 201100160007 | 垫板    | 1  |  | XF250-110002-000  |
|  | 14 | 300030010006 | 垫圈 20 | 12 |  | G000093-000020-00 |

|                                      |                   |                  |                          |                  |                                 |                          |
|--------------------------------------|-------------------|------------------|--------------------------|------------------|---------------------------------|--------------------------|
| 图 13 驱动桥总成<br>Fig.13 Drive axle assy | CPCD20/25-XRG72F  | CPCD20/25-XRW10F | CPCD20/25-XRW33F         | CPCD20/25-XRW43F |                                 |                          |
|                                      | CPCD20/25-XRW55F  | CPCD20/25-XRW56F | CPCD20/25-XRW92F         | CPQD20/25-XRW22F |                                 |                          |
|                                      | CPQYD20/25-XRW22F | CPYD20/25-XRW52F | <b>CPCD20/25-XRG72JF</b> |                  |                                 |                          |
|                                      | 序号<br>Item        | 物料码<br>Part No   | 名称<br>Description        | 数量<br>Qty        | 备注或适用车型<br>Remarks or Serial No | 原物料码<br>Original Part No |
|                                      | 15                | 300020020009     | 螺母 M20×1.5               | 12               |                                 | G006171-000020-02        |
|                                      | 16                | 见图 15 See Fig.15 | 右制动器总成                   | 1                |                                 |                          |
|                                      | 17                | 300030090008     | 垫圈 14                    | 16               |                                 | G007244-000014-00        |
|                                      | 18                | 310010020037     | 螺栓                       | 16               |                                 | XF250-110007-000         |
|                                      | 19                | 300320010016     | 油封 FB105×140×12          | 2                |                                 | G9877P1-140010512-01     |
|                                      | 20                | 201100150008     | 油封座                      | 2                |                                 | A300-110001-000          |
|                                      | 21                | 201100130005     | 轴承 7816                  | 2                |                                 | A300-110010-G00          |

|  |    |              |         |    |           |                   |
|--|----|--------------|---------|----|-----------|-------------------|
|  | 22 | 201100090047 | 轮毂      | 2  |           | XF250-110004-001  |
|  | 23 | 201100020015 | 轮毂螺栓    | 12 | 2.0t-2.5t | N120-110006-000   |
|  | 23 | 201100020020 | 轮毂螺栓    | 12 | 2.0t-2.5t | N120-110001-500   |
|  | 24 | 201100080004 | 轮毂螺母    | 12 |           | N163-110015-000   |
|  | 25 | 201100130001 | 轴承 7815 | 2  |           | N163-110100-G00   |
|  | 26 | 201100080006 | 锁紧螺母    | 2  |           | N163-110009-000   |
|  | 27 | 201100110002 | 锁紧片     | 2  |           | N163-110011-000   |
|  | 28 | 300030010014 | 垫圈 6    | 4  |           | G000093-000006-00 |

|                                      |                   |                  |                          |                  |                                 |                          |
|--------------------------------------|-------------------|------------------|--------------------------|------------------|---------------------------------|--------------------------|
| 图 13 驱动桥总成<br>Fig.13 Drive axle assy | CPCD20/25-XRG72F  | CPCD20/25-XRW10F | CPCD20/25-XRW33F         | CPCD20/25-XRW43F |                                 |                          |
|                                      | CPCD20/25-XRW55F  | CPCD20/25-XRW56F | CPCD20/25-XRW92F         | CPQD20/25-XRW22F |                                 |                          |
|                                      | CPQYD20/25-XRW22F | CPYD20/25-XRW52F | <b>CPCD20/25-XRG72JF</b> |                  |                                 |                          |
|                                      | 序号<br>Item        | 物料码<br>Part No   | 名称<br>Description        | 数量<br>Qty        | 备注或适用车型<br>Remarks or Serial No | 原物料码<br>Original Part No |
|                                      | 29                | 300010040145     | 螺栓 M6×12                 | 4                |                                 | G005783-006012-00        |
|                                      | 30                | 300320040005     | 油封 PD45×62×12            | 2                |                                 | HG40692-045006212-00     |
|                                      | 31                | 201100160012     | 纸垫                       | 2                |                                 | N163-110018-000          |
|                                      | 32                | 201100010014     | 半轴                       | 2                |                                 | XF250-110005-000         |
|                                      | 33                | 300050030053     | 销 D12×35                 | 2                |                                 | G000119-012035-03        |
|                                      | 34                | 201100070009     | 压紧衬套                     | 18               |                                 | N163-110019-000          |

|  |    |              |       |    |  |                   |
|--|----|--------------|-------|----|--|-------------------|
|  | 35 | 300030090002 | 垫圈 12 | 18 |  | G007244-000012-00 |
|  | 36 | 310010020035 | 螺栓    | 18 |  | N163-110021-000   |
|  |    |              |       |    |  |                   |
|  |    |              |       |    |  |                   |
|  |    |              |       |    |  |                   |
|  |    |              |       |    |  |                   |
|  |    |              |       |    |  |                   |
|  |    |              |       |    |  |                   |
|  |    |              |       |    |  |                   |

|                                     |  |              |                |                   |           |                                 |
|-------------------------------------|--|--------------|----------------|-------------------|-----------|---------------------------------|
| 图 14 左制动器总成<br>Fig.14 Brake assy,LH | 2.0t-2.5t<br>全部车型 All models of truck  |              |                |                   |           |                                 |
|                                     |  | 序号<br>Item   | 物料码<br>Part No | 名称<br>Description | 数量<br>Qty | 备注或适用车型<br>Remarks or Serial No |
|                                     | A1   | 201700000193 | 左制动器总成         | 1                 |           | N120-111000-G01                 |
|                                     | 1  | 810120000075 | 左制动器底板总成       | 1                 |           | 23653-73011-L                   |
|                                     | 2  | 810120000076 | 制动蹄带摩擦片总成      | 2                 |           | FHXX23653-73021                 |
|                                     | 3  | 810120000077 | 胶堵             | 2                 |           | 22673-72321                     |
|                                     | 4  | 810120000078 | 左调整杠杆          | 1                 |           | 23653-72151-L                   |



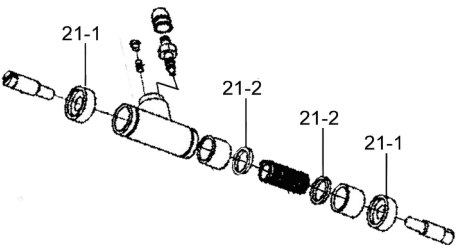
|  |    |              |          |   |  |               |
|--|----|--------------|----------|---|--|---------------|
|  | 5  | 810120000079 | 下端回位弹簧   | 1 |  | 23653-72051   |
|  | 6  | 810120000080 | 左间隙调整器总成 | 1 |  | 23653-72041-L |
|  | 7  | 810120000081 | 压簧拉杆     | 4 |  | 23653-72101   |
|  | 8  | 810120000082 | 压簧座      | 1 |  | 23653-72121   |
|  | 9  | 810120000083 | 弹簧       | 4 |  | 23653-72091   |
|  | 10 | 810120000084 | 压簧盖      | 4 |  | 23653-72111   |
|  | 11 | 810120000085 | 拉簧       | 1 |  | 23653-72171   |
|  | 12 | 810120000086 | 顶杆       | 1 |  | 23653-72161   |
|  | 13 | 810120000087 | 压簧座      | 3 |  | 23653-72191   |
|  | 14 | 810120000088 | 回位弹簧     | 2 |  | 23673-72261   |

|    |   |                |                   |           |                                 |                          |
|----|---|----------------|-------------------|-----------|---------------------------------|--------------------------|
|    | <p>图 14 左制动器总成<br/>Fig. 14 Brake assy LH</p>  |                |                   |           |                                 |                          |
|    | <p>2.0t-2.5t<br/>全部车型 All models of truck</p> |                |                   |           |                                 |                          |
|    | 序号<br>Item                                    | 物料码<br>Part No | 名称<br>Description | 数量<br>Qty | 备注或适用车型<br>Remarks or Serial No | 原物料码<br>Original Part No |
|    | 15  | 810120000089   | 拉杆销               | 1         |                                 | 22673-72231              |
|    | 16  | 810120000090   | 垫片                | 1         |                                 | 22673-72251              |
| 17 | 810120000091                                  | 左手制动拉杆         | 1                 |           | 23653-72071-L                   |                          |
| 18 | 810120000092                                  | 垫片             | 1                 |           | 23653-72131                     |                          |

|  |      |              |          |   |  |                   |  |
|--|------|--------------|----------|---|--|-------------------|--|
|  | 19   | 810120000093 | 左制动分泵总成  | 1 |  | 22373-72041-L     |  |
|  | 19-1 | 810120000094 | 分泵皮碗     | 2 |  | 22673-72081G      |  |
|  | 19-2 | 810120000025 | 制动分泵护罩   | 2 |  | 22673-72101       |  |
|  | 20   | 810120000096 | 手制动推杆    | 1 |  | 23653-72081       |  |
|  | 21   | 810120000097 | 压缩弹簧     | 1 |  | 23673-72391       |  |
|  | 22   | 810120000098 | 螺栓 M8×16 | 2 |  | G005782-008016-00 |  |
|  | 23   | 300030010015 | 垫圈 8     | 2 |  | G000093-000008-00 |  |
|  | 24   | 201700050027 | 左制动钢索总成  | 1 |  | N163-111100-000   |  |
|  |      |              |          |   |  |                   |  |
|  |      |              |          |   |  |                   |  |

|    |   |                         |                   |           |                                 |                          |
|----|---|-------------------------|-------------------|-----------|---------------------------------|--------------------------|
|    | <p>图15 右制动器总成<br/>Fig.15 Brake assy,RH</p>    |                         |                   |           |                                 |                          |
|    | <p>2.0t-2.5t<br/>全部车型 All models of truck</p> |                         |                   |           |                                 |                          |
|    | 序号<br>Item                                    | 物料码<br>Part No          | 名称<br>Description | 数量<br>Qty | 备注或适用车型<br>Remarks or Serial No | 原物料码<br>Original Part No |
| A1 | 201700000171                                  | 右制动器总成<br>Brake assy,RH | 1                 | 除外/Except | N120-112000-G01                 |                          |
| A2 | 201700000167                                  | 右制动器总成                  | 1                 |           | R561-111000-G01                 |                          |

|   |                                       |                |                   |           |                                 |                          |
|---|---------------------------------------|----------------|-------------------|-----------|---------------------------------|--------------------------|
|   | A3                                    | 20170000258    | 右制动器总成            | 1         |                                 | XRF260-112000-G00        |
|   | 1                                     | 810120000101   | 右制动器底板总成          | 1         |                                 | 23653-73011-R            |
|   | 2                                     | 810120000076   | 制动蹄带摩擦片总成         | 2         |                                 | FHXX23653-73021          |
|   | 3                                     | 810120000077   | 胶堵                | 2         |                                 | 22673-72321              |
|   | 4                                     | 810120000102   | 右手制动拉杆            | 1         |                                 | 23653-72071-R            |
|   | 5                                     | 810120000081   | 压簧拉杆              | 4         |                                 | 23653-72101              |
|   | 6                                     | 810120000087   | 压簧座               | 3         |                                 | 23653-72191              |
|   | 7                                     | 810120000083   | 弹簧                | 4         |                                 | 23653-72091              |
|   | 8                                     | 810120000084   | 压簧盖               | 4         |                                 | 23653-72111              |
|   | 9                                     | 810120000079   | 下端回位弹簧            | 1         |                                 | 23653-72051              |
|   | 10                                    | 810120000103   | 右间隙调整器总成          | 1         |                                 | 23653-72041-R            |
| 11  | 810120000104                          | 右调整杠杆          | 1                 |           | 23653-72151-R                   |                          |
| <p>图 15 右制动器总成<br/>Fig.15 Brake assy, R/R</p> | 2.0t-2.5t<br>全部车型 All models of truck |                |                   |           |                                 |                          |
|   | 序号<br>Item                            | 物料码<br>Part No | 名称<br>Description | 数量<br>Qty | 备注或适用车型<br>Remarks or Serial No | 原物料码<br>Original Part No |
|   | 12                                    | 810120000090   | 垫片                | 1         |                                 | 22673-72251              |
|   | 13                                    | 810120000089   | 拉杆销               | 1         |                                 | 22673-72231              |

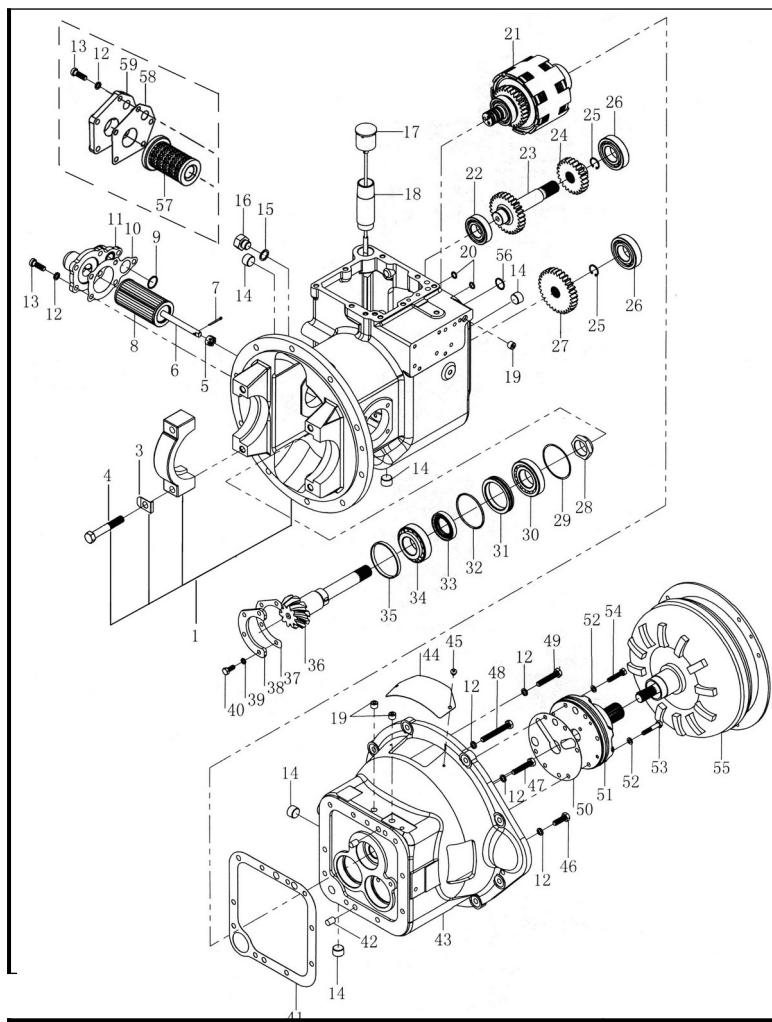
|   |      |              |          |   |  |                   |
|---|------|--------------|----------|---|--|-------------------|
|  | 14   | 810120000085 | 拉簧       | 1 |  | 23653-72171       |
|   | 15   | 810120000086 | 顶杆       | 1 |  | 23653-72161       |
|   | 16   | 810120000082 | 压簧座      | 1 |  | 23653-72121       |
|   | 17   | 810120000088 | 回位弹簧     | 2 |  | 23673-72261       |
|   | 18   | 810120000097 | 压缩弹簧     | 1 |  | 23673-72391       |
|   | 19   | 810120000096 | 手制动推杆    | 1 |  | 23653-72081       |
|   | 20   | 810120000092 | 垫片       | 1 |  | 23653-72131       |
|   | 21   | 810120000105 | 右制动分泵总成  | 1 |  | 22373-72041-R     |
|   | 21-1 | 810120000094 | 分泵皮碗     | 2 |  | 22673-72081G      |
|   | 21-2 | 810120000025 | 制动分泵护罩   | 2 |  | 22673-72101       |
|   | 22   | 810120000098 | 螺栓 M8×16 | 2 |  | G005782-008016-00 |
|   | 23   | 300030010015 | 垫圈 8     | 2 |  | G000093-000008-00 |
|   | 24   | 201700050018 | 右制动钢索总成  | 1 |  | R561-111100-000   |

|                                     |                                       |                |                   |           |                                 |                          |
|-------------------------------------|---------------------------------------|----------------|-------------------|-----------|---------------------------------|--------------------------|
| 图 15 右制动器总成<br>Fig.15 Brake assy,RH | 2.0t-2.5t<br>全部车型 All models of truck |                |                   |           |                                 |                          |
|                                     | 序号<br>Item                            | 物料码<br>Part No | 名称<br>Description | 数量<br>Qty | 备注或适用车型<br>Remarks or Serial No | 原物料码<br>Original Part No |
|                                     | 24                                    | 201700040068   | 右制动钢索总成           | 1         |                                 | XRF310-112100-000        |

|  |    |              |                             |   |           |                 |
|--|----|--------------|-----------------------------|---|-----------|-----------------|
|  | 24 | 201700050017 | 右制动钢索总成<br>Cable,Control,RH | 1 | 除外/Except | N163-112200-000 |
|  |    |              |                             |   |           |                 |
|  |    |              |                             |   |           |                 |
|  |    |              |                             |   |           |                 |
|  |    |              |                             |   |           |                 |
|  |    |              |                             |   |           |                 |
|  |    |              |                             |   |           |                 |
|  |    |              |                             |   |           |                 |
|  |    |              |                             |   |           |                 |
|  |    |              |                             |   |           |                 |

|  |   |                |                   |           |                                 |                          |
|--|---|----------------|-------------------|-----------|---------------------------------|--------------------------|
|  | 1.0t-3.8t<br>XYQXD 系列液力变速箱<br>XYQXD Series Hydrodynamic Gearbox |                |                   |           |                                 |                          |
|  | 序号<br>Item  | 物料码<br>Part No | 名称<br>Description | 数量<br>Qty | 备注或适用车型<br>Remarks or Serial No | 原物料码<br>Original Part No |

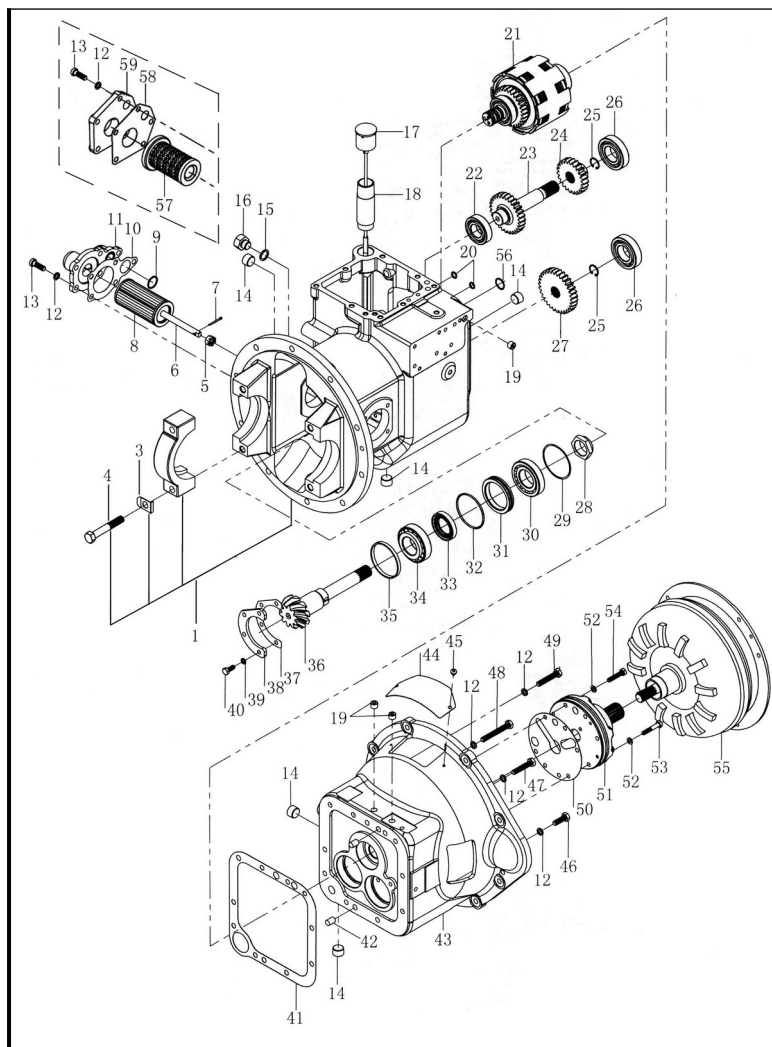
图16 变速箱 (液力式) 绍兴 SHAOXIN  
Fig. 16 Transmission (tor-con type)



|    |             |              |    |          |                  |
|----|-------------|--------------|----|----------|------------------|
| 1  | 81011000022 | 液力变速箱壳体组件    | 1  | 1t-1.8t: | YQX25D-0100      |
|    | 81011000023 | 液力变速箱壳体组件    | 1  | 2t-3.8t  | YQX30AS-0100     |
| 3  | 81011000024 | 锁片           | 4  | 1t-1.8t: | YQX25-0004       |
|    | 81011000025 | 锁片           | 4  | 2t-3.8t  | YQX30-0023       |
| 4  | 81011000026 | 螺栓           | 4  |          | YQX30-0101       |
| 5  | 81011000027 | 螺母 M12       | 1  | 2t-3.8t, | GB6181-86-12     |
| 6  | 81011000028 | 螺杆           | 1  | 2t-3.8t, | YQX30AS-0502     |
| 7  | 81011000029 | 开口销 3.2×28   | 1  | 2t-3.8t, | GB91-86-3.2×28   |
| 8  | 81011000030 | 滤网组件         | 1  | 2t-3.8t, | YQX30AS-0510     |
| 9  | 81011000031 | O形密封圈 28×2.4 | 1  | 2t-3.8t, | GB1235-76-28×2.4 |
| 10 | 81011000032 | 纸垫           | 1  | 2t-3.8t, | YQX30AS-0503     |
| 11 | 81011000033 | 油滤座          | 1  | 2t-3.8t, | YQX30AS-0501     |
| 12 | 81011000034 | 垫圈 10        | 14 |          | GB93-87-10       |
| 13 | 81011000035 | 螺钉 M10×30    | 5  |          | GB70-85-M10×30   |

图 16 变速箱 (液力式) 绍兴 SHAOXIN  
Fig. 16 Transmission (tor-con type)

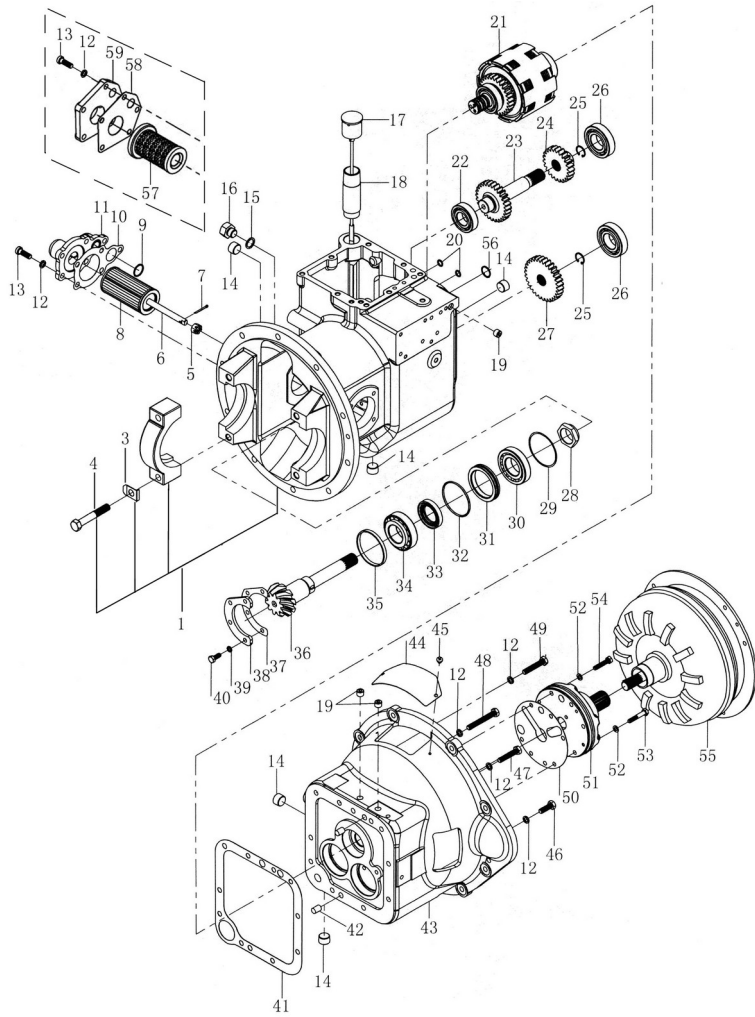
1.0t-3.8t  
XYQXD 系列液力变速箱  
XYQXD Series Hydrodynamic Gearbox



| 序号<br>Item | 物料码<br>Part No | 名称<br>Description | 数量<br>Qty | 备注或适用车型<br>Remarks or Serial No | 原物料码<br>Original Part No |
|------------|----------------|-------------------|-----------|---------------------------------|--------------------------|
| 14         | 810110000036   | 螺塞 R1/2           | 3         |                                 | JB/ZQ4446-86-R1/2        |
| 15         | 810110000037   | 密封垫 18×24×2       | 1         |                                 | Q20-03-18×24×2           |
| 16         | 810110000038   | 螺塞                | 1         |                                 | JDS30-0046               |
| 17         | 810110000039   | 加油器盖组件            | 1         |                                 | YQX30A-0400              |
| 18         | 810110000040   | 加油管               | 1         |                                 | YQX30A-0007              |
| 19         | 810110000041   | 螺塞 R1/4           | 3         |                                 | JB/ZQ4446-86-R1/4        |
| 20         | 810110000042   | O形密封圈 15×2.4      | 2         |                                 | GB1235-76-15×2.4         |
| 21         | 810110000043   | 液力离合器总成           | 1         | 1t-1.8t                         | YQX30-1000A              |
| 21         | 810110000044   | 液力离合器总成           | 1         | 2t-3.8t                         | YQX38-1000               |
| 22         | 810110000045   | 轴承 6206           | 1         |                                 | GB276-94-6206            |
| 23         | 810110000046   | 惰轮轴               | 1         |                                 | YQX30-0015               |
| 24         | 810110000047   | 惰轮                | 1         |                                 | YQX30-0013               |
| 25         | 810110000048   | 孔用弹性挡圈 24         | 2         |                                 | GB893.1-86-24            |
| 26         | 810110000049   | 轴承 6207           | 2         |                                 | GB276-94-6207            |
| 27         | 810110000050   | 输出齿轮              | 1         |                                 | YQX30-0012               |

图 16 变速箱 (液力式) 绍兴 SHAOXIN  
Fig. 16 Transmission(tor-con type)

1.0t-3.8t  
XYQXD 系列液力变速箱  
XYQXD Series Hydrodynamic Gearbox



| 序号<br>Item | 物料码<br>Part No      | 名称<br>Description | 数量<br>Qty | 备注或适用车型<br>Remarks or Serial No | 原物料码<br>Original Part No |
|------------|---------------------|-------------------|-----------|---------------------------------|--------------------------|
| 28         | 810110000051        | 锁紧螺母              | 1         |                                 | YQX30-0014               |
| 29         | 810110000052        | 垫                 |           | 按需                              | YQX30-0016               |
| 30         | 810110000053        | 轴承 30208          | 1         |                                 | GB297-94-30208           |
| 31         | 810110000054        | 油封保持架             | 1         |                                 | YQX30-0001               |
| 32         | 810110000055        | O 形圈 80×3.1       | 1         |                                 | GB1235-76-80×3.1         |
| 33         | 810110000056        | 输出轴油封             | 1         |                                 | YQX30-0005               |
| 34         | 810110000057        | 轴承 32208          | 1         |                                 | GB297-94-32208           |
| 35         | 810110000058        | 轴环                | 1         |                                 | YQX30-0003               |
| 36         | 1t-1.8t, 见图 20 序号 7 | 输出轴               | 1         |                                 |                          |
| 36         | 2t-2.5t, 见图 20 序号 7 | 输出轴               | 1         |                                 |                          |
| 36         | 3t-3.8t, 见图 20 序号 7 | 输出轴               | 1         |                                 |                          |
| 37         | 810110000059        | 垫片                |           | 按需                              | YQX30-0002               |
| 38         | 810110000060        | 支承片               | 1         |                                 | YQX30-0004               |
| 39         | 810110000061        | 垫圈 8              | 4         |                                 | GB93-87-8                |
| 40         | 810110000062        | 螺栓 M8×20          | 4         |                                 | GB5783-86-M8×20          |



图 16 变速箱 (液力式) 绍兴 SHAOXIN  
Fig. 16 Transmission(tor-con type)

1.0t-3.8t  
XYQXD 系列液力变速箱  
XYQXD Series Hydrodynamic Gearbox

| 序号<br>Item | 物料码<br>Part No | 名称<br>Description | 数量<br>Qty | 备注或适用车型<br>Remarks or Serial No | 原物料码<br>Original Part No |
|------------|----------------|-------------------|-----------|---------------------------------|--------------------------|
| 41         | 810110000063   | 垫片                | 1         |                                 | YQX30AS-0001             |
| 42         | 810110000064   | 圆柱销 B12×20        | 2         |                                 | GB119-86-B12×20          |
| 43         | 810110000065   | 变矩器壳体 Case,       | 1         | XYQXD18                         | YQXL18H-0201             |
|            | 810110000066   | 变矩器壳体 Case,       | 1         | XYQXD18A                        | YQXL18-0201              |
|            | 810110000067   | 变矩器壳体 Case,       | 1         | XYQXD25, XYQXD30                | YQX30H-0201              |
|            | 810110000068   | 变矩器壳体 Case,       | 1         | XYQXD25A, XYQXD30A              | YQX30-0201               |
| 44         | 810110000069   | 盖板                | 1         |                                 | YQX30-0202               |
| 45         | 810110000070   | 十字槽螺钉 M6×12       | 2         |                                 | GB818-85-M6×12           |
| 46         | 810110000071   | 螺栓 M10×30         | 4         |                                 | GB5783-86-M10×30         |
| 47         | 810110000072   | 螺栓 M10×50         | 1         |                                 | GB5783-86-M10×50         |
| 48         | 810110000073   | 螺栓 M10×75         | 1         |                                 | GB5783-86-M10×75         |
| 49         | 810110000074   | 螺栓 M10×55         | 3         |                                 | GB5783-86-M10×55         |
| 50         | 810110000075   | 垫片                | 1         |                                 | YQX30-0010               |
| 51         | 810110000076   | 油泵总成              | 1         | 见图 19 See Fig.19                | YQX30-3000               |

|    |              |              |   |  |                 |
|----|--------------|--------------|---|--|-----------------|
| 52 | 810110000077 | 密封圈 8×14×1.5 | 6 |  | Q20-03-8×14×1.5 |
|----|--------------|--------------|---|--|-----------------|

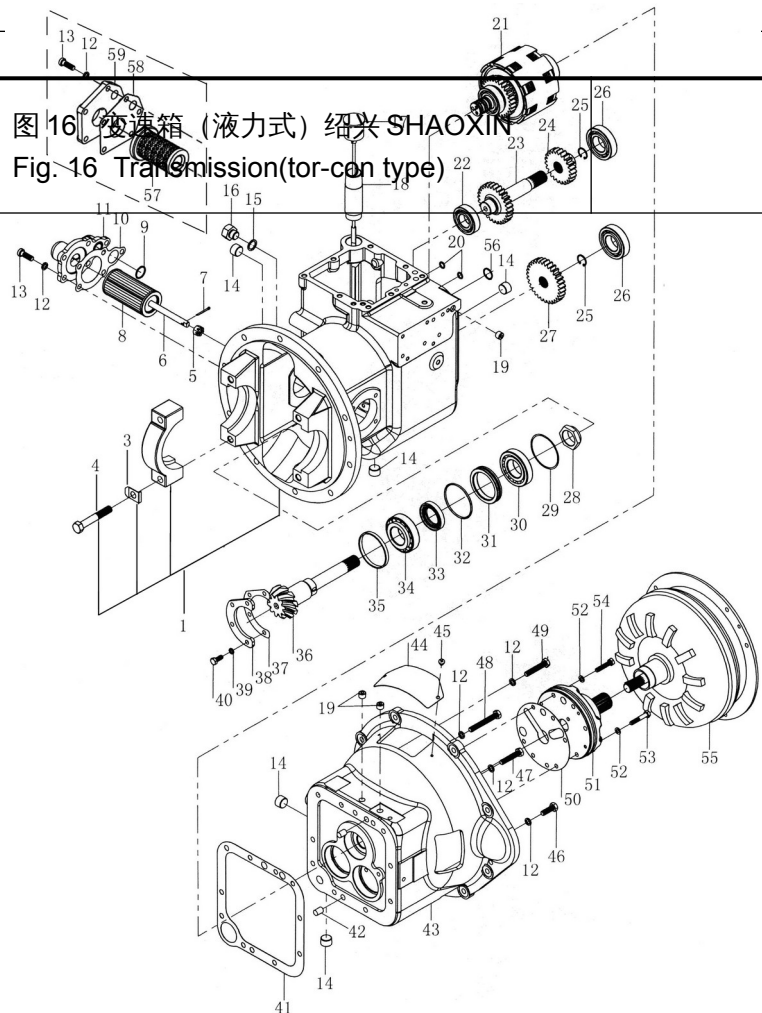


图 16 液力变矩器 (液力式) 绍兴 SHAOXIN  
Fig. 16 Transmission (tor-con type)

1.0t-3.8t  
XYQXD 系列液力变矩器  
XYQXD Series Hydrodynamic Gearbox

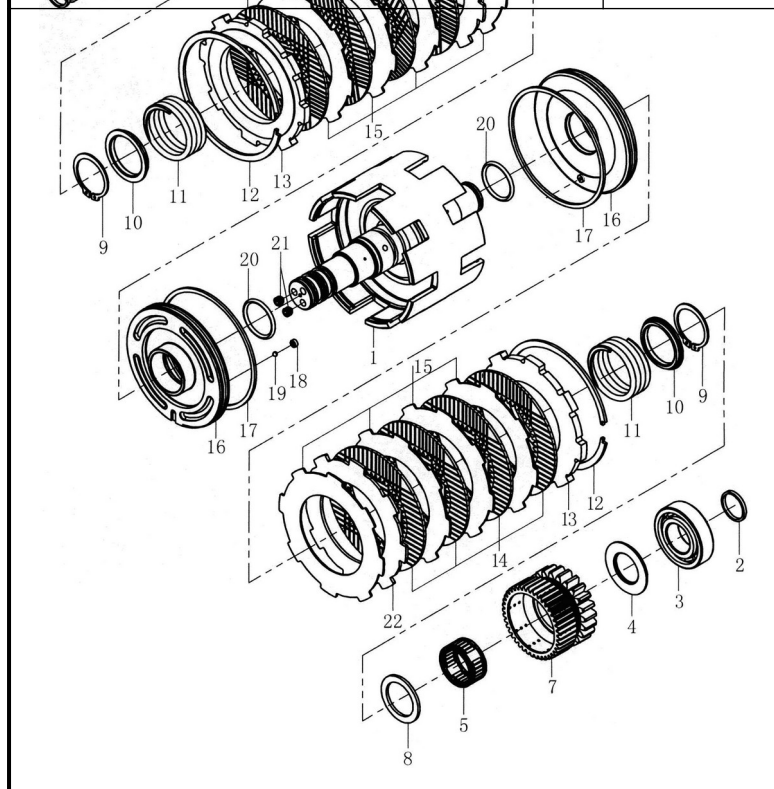
| 序号<br>Item | 物料码<br>Part No | 名称<br>Description | 数量<br>Qty | 备注或适用车型<br>Remarks or Serial No | 原物料码<br>Original Part No |
|------------|----------------|-------------------|-----------|---------------------------------|--------------------------|
| 53         | 810110000078   | 螺栓 M8×45          | 4         |                                 | GB5780-86-M8×45          |
| 54         | 810110000079   | 螺栓 M8×40          | 2         |                                 | GB5780-86-M8×40          |
| 55         | 810110000080   | YJH265E-2 液力变矩器   | 1         | XYQXD18                         | XYQX18H-6000             |
| 55         | 810110000081   | YJH265E-3 液力变矩器   | 1         | XYQXD18A                        | XYQX18-6000              |
| 55         | 810110000082   | YJH265G-2 液力变矩器   | 1         | XYQXD25, XYQXD30                | XYQX30H-6000             |
| 55         | 810110000083   | YJH265G-3 液力变矩器   | 1         | XYQXD25A, XYQXD30A              | XYQX30-6000              |
| 56         | 810110000084   | O 形密封圈 24×2.4     | 1         |                                 | GB1235-76-24×2.4         |
| 57         | 810110000085   | 滤网组件              | 1         | 1t-1.8t,                        | YQX30B-0510              |
| 58         | 810110000086   | 滤油座纸垫             | 1         | 1t-1.8t,                        | YQX30D-0502              |
| 59         | 810110000087   | 油滤座               | 1         | 1t-1.8t,                        | YQX30D-0501              |
|            |                |                   |           |                                 |                          |
|            |                |                   |           |                                 |                          |
|            |                |                   |           |                                 |                          |

|  |  |  |  |  |  |
|--|--|--|--|--|--|
|  |  |  |  |  |  |
|  |  |  |  |  |  |

| 图 17 液力离合器 (液力式) 绍兴 SHAOXIN<br>Fig.17 Hydraulic clutch(tor-con type) | 1.0t-3.8t<br>XYQXD 系列液力变速箱<br>XYQXD Series Hydrodynamic Gearbox |                |                   |           |                                 | 原物料码<br>Original Part No |
|--|---|----------------|-------------------|-----------|---------------------------------|--------------------------|
|  | 序号<br>Item  | 物料码<br>Part No | 名称<br>Description | 数量<br>Qty | 备注或适用车型<br>Remarks or Serial No |                          |
|  | A1  | 810110000043   | 液力离合器总成           | 1         | 1t-1.8t                         | YQX30-1000A              |
|  | A2  | 810110000044   | 液力离合器总成           | 1         | 2t-3.8t                         | YQX38-1000               |
|  | 1   | 810110000091   | 输入轴组件             | 1         |                                 | YQX30-1100A              |
|  | 2   | 810110000092   | 密封环 (A)           | 4         |                                 | YQX30-1006               |
|  | 3   | 810110000045   | 轴承 6206           | 2         |                                 | GB276-94-6206            |
|  | 4   | 810110000094   | 离合器-止推环 (B)       | 2         |                                 | YQX30-1007               |
|  | 5   | 810110000095   | 滚针轴承              | 2         |                                 | K35×42×20                |
|  | 6   | 810110000096   | 倒车档齿轮             | 1         |                                 | YQX30-1005               |
|  | 7   | 810110000097   | 前进档齿轮             | 1         |                                 | YQX30-1003               |
|  | 8   | 810110000098   | 离合器-止推环 (A)       | 2         |                                 | YQX30-1008               |
|  | 9   | 300060030016   | 轴用弹性挡圈 40         | 2         |                                 | G0894P1-000040-00        |
|  | 10  | 810110000100   | 弹簧座               | 2         |                                 | YQX30-1009               |

|  |    |              |      |   |         |            |
|--|----|--------------|------|---|---------|------------|
|  | 11 | 810110000101 | 回程弹簧 | 2 |         | YQX30-1004 |
|  | 12 | 810110000102 | 卡环   | 2 |         | YQX30-1014 |
|  | 13 | 810110000103 | 端板   | 8 | 1t-3.8t | YQX30-1001 |

图17 液力离合器(液力式) 绍兴 SHAOXIN  
Fig.17 Hydraulic clutch (Hydrodynamic)



| 1.0t-3.8t<br>XYQXD 系列液力变速箱<br>XYQXD Series Hydrodynamic Gearbox |                |                   |           |                                 |                          |
|---|----------------|-------------------|-----------|---------------------------------|--------------------------|
| 序号<br>Item  | 物料码<br>Part No | 名称<br>Description | 数量<br>Qty | 备注或适用车型<br>Remarks or Serial No | 原物料码<br>Original Part No |
| 14  | 810110000104   | 摩擦片               | 8         | 1t-1.8t                         | YQX30-1013B              |
|   | 810110000104   | 摩擦片               | 10        | 2t-3.8t                         | YQX30-1013B              |
| 15  | 810110000106   | 隔片                | 6         | 1t-1.8t,                        | YQX30-1012A              |
|   | 810110000107   | 隔片                | 8         | 2t-3.8t                         | YQX38-1012               |
| 16  | 810110000108   | 活塞组件              |           | INC:16,18,19                    | YQX30-1300               |
| 17  | 810110000109   | 密封环 (B)           | 2         |                                 | YQX30-1011               |
| 18  | No Part No.    | 堵塞                | 2         |                                 |                          |
| 19  | No Part No.    | 钢球 3.1750G200b    | 2         |                                 |                          |
| 20  | 810110000110   | O 形圈 40×3.5       | 2         |                                 | GB1235-76-40×3.5         |
| 21  | 810110000111   | 螺钉 M8×8           | 2         |                                 | GB78-85-M8×8             |
| 22  | 810110000112   | 蝶形板               | 2         | 1t-1.8t                         | YQX18-1002               |

|  |  |  |  |  |  |
|--|--|--|--|--|--|
|  |  |  |  |  |  |
|  |  |  |  |  |  |
|  |  |  |  |  |  |
|  |  |  |  |  |  |

| 图 18 盖、控制阀、微动阀 (液力式) 绍兴<br>Fig.18 Cover control valve &<br>inching valve (tor-con type) SHAOXIN | 1.0t-3.8t<br>YQXD (电磁阀换向) 系列液力变速箱<br>YQXD (Solenoid valve Commutation) Series Hydrodynamic Gearbox |                |                   |           |                                 |                          |
|---|--|----------------|-------------------|-----------|---------------------------------|--------------------------|
|   | 序号<br>Item   | 物料码<br>Part No | 名称<br>Description | 数量<br>Qty | 备注或适用车型<br>Remarks or Serial No | 原物料码<br>Original Part No |
|   | 1  | 810110000113   | O 形密封圈 11×1.9     | 2         |                                 | GB1235-76-11×1.9         |
|   | 2  | 810110000114   | 垫片                | 1         |                                 | YQX30-0008               |
|   | 3  | 810110000115   | 螺栓 M8×55          | 3         |                                 | GB5782-86-M8×55          |
|   | 4  | 810110000116   | 螺栓 M8×50          | 3         |                                 | GB5782-86-M8×50          |
|   | 5  | 810110000117   | 螺栓 M8×30          | 2         |                                 | GB5782-86-M8×30          |
|   | 6  | 810110000061   | 弹簧挡圈 8            | 13        |                                 | GB93-87-8                |
|   | A1   | 810110000119   | 盖和控制阀总成 Assy,     | 1         | 包含 INC:7-14,18-20,              | YQX30D-4100              |
|   | 7  | 810110000120   | 控制阀总成             | 1         | 不单独提供 Do not supply             | YQX30D-4120              |
|   | 8  | 810110000121   | 密封垫               | 1         |                                 | YQX30-4001               |
|   | 9  | 810110000122   | 壳体盖               | 1         | 不单独提供 Do not supply             | YQX30D-4111              |

|  |    |              |           |   |  |                |
|--|----|--------------|-----------|---|--|----------------|
|  | 10 | 810110000123 | 圆柱销 A6×25 | 1 |  | GB119-86-A6×25 |
|  | 11 | 810110000124 | 活塞        | 1 |  | YQX30D-4112    |
|  | 12 | 810110000125 | 弹簧        | 1 |  | YQX30-4003     |
|  | 13 | 810110000126 | 组合密封垫 20  | 1 |  | JB982-77-20    |
|  | 14 | 810110000127 | 安全阀盖      | 1 |  | YQX30-4002     |

|    |   |   |                   |  |                                 |                          |
|----|---|---|-------------------|--|---------------------------------|--------------------------|
|    | <p>图 18 盖、控制圈、微动阀 (液力式) 绍兴 1.0t-3.8t<br/>         Fig.18 Cover control valve &amp; inching valve (tor-con type) SHAOXIN 8 YQXD (电磁阀换向) 系列液力变速箱<br/>         YQXD (Solenoid valve Commutation) Series Hydrodynamic Gearbox</p> |   |                   |  |                                 |                          |
|    | 序号<br>Item  | 物料码<br>Part No                            | 名称<br>Description | 数量<br>Qty                                  | 备注或适用车型<br>Remarks or Serial No | 原物料码<br>Original Part No |
| 15 | 810110000128  | 电磁换向阀, 四线插头<br>Solenoid valve, 4-way plug | 1                 | ≥2012-01<br>防水接插件 Plug & Socket Waterproof | YQX30DH-4200                    |                          |
| 16 | 810110000129  | 弹簧挡圈 5                                    | 4                 |  | GB859-76-5                      |                          |
| 17 | 810110000130  | 螺钉 M5×50                                  | 4                 |  | GB70-85-M5×50                   |                          |
| 18 | 810110000131  | 内六角螺塞 ZG1/4                               | 4                 |  | Q/ZB285-ZG1/4                   |                          |
| 19 | 810110000132  | 内六角螺塞 ZG1/8                               | 7                 |  | Q/ZB285-ZG1/8                   |                          |
| 20 | 810110000133  | 管接头                                       | 1                 |  | YQX30-4005                      |                          |
| 21 | 810110000134  | 滤油器 (II)                                  | 1                 |  | YQX30-0300                      |                          |
| 22 | 810110000034  | 垫圈 10                                     | 8                 |  | GB93-87-10                      |                          |

|  |    |              |           |   |  |                  |
|--|----|--------------|-----------|---|--|------------------|
|  | 23 | 810110000136 | 螺栓 M10×40 | 6 |  | GB5783-86-M10×40 |
|  | 24 | 810110000074 | 螺栓 M10×55 | 2 |  | GB5783-86-M10×55 |
|  | 25 | 810110000138 | 衬垫        | 1 |  | YQX30-0022       |
|  | 26 | 810110000139 | 微动阀总成     | 1 |  | YQX30-5000       |
|  | 27 | 810110000140 | 螺栓 M8×50  | 2 |  | GB5783-86-M8×50  |
|  | 28 | 810110000141 | 螺栓 M8×25  | 3 |  | GB5783-86-M8×25  |

|   |  |                |                   |           |                                 |                          |
|---|--|----------------|-------------------|-----------|---------------------------------|--------------------------|
| 图 18 盖、控制阀、微动阀 (液力式) 绍兴<br>Fig.18 Cover control valve &<br>inching valve (tor-con type) SHAOXIN | 1.0t-3.8t<br>YQXD (电磁阀换向) 系列液力变速箱<br>YQXD (Solenoid valve Commutation) Series Hydrodynamic Gearbox |                |                   |           |                                 |                          |
|   | 序号<br>Item   | 物料码<br>Part No | 名称<br>Description | 数量<br>Qty | 备注或适用车型<br>Remarks or Serial No | 原物料码<br>Original Part No |
|   | 29   | 810110000142   | O 形密封圈 12×2.4     | 1         |                                 | GB1235-76-12×2.4         |
|   | 30   | 810110000143   | 滤网                | 1         |                                 | YQXD45-4107              |
|   |  |                |                   |           |                                 |                          |
|   |  |                |                   |           |                                 |                          |
|   |  |                |                   |           |                                 |                          |
|   |  |                |                   |           |                                 |                          |
|   |  |                |                   |           |                                 |                          |
|   |  |                |                   |           |                                 |                          |

|  |  |  |  |  |  |
|--|--|--|--|--|--|
|  |  |  |  |  |  |
|  |  |  |  |  |  |
|  |  |  |  |  |  |
|  |  |  |  |  |  |
|  |  |  |  |  |  |
|  |  |  |  |  |  |
|  |  |  |  |  |  |

| 图 19 供油泵 (液力式) 绍兴 SHAOXIN<br>Fig.19 Charging pump(tor-con type) | 1.0t-3.8t<br>YQXD (电磁阀换向) 系列液力变速箱<br>YQXD (Solenoid valve Commutation) Series Hydrodynamic Gearbox |                |                   |           |                                 | 原物料码<br>Original Part No |
|---|--|----------------|-------------------|-----------|---------------------------------|--------------------------|
|   | 序号<br>Item   | 物料码<br>Part No | 名称<br>Description | 数量<br>Qty | 备注或适用车型<br>Remarks or Serial No |                          |
|   | A  | 810110000076   | 油泵总成              | 1         |                                 | YQX30-3000               |
|   | 1  | 810110001413   | 泵壳                | 1         |                                 | YQX30-3007               |
|   | 2  | 810110000146   | 衬套                | 1         |                                 | YQX30-3001               |
|   | 3  | 810110000147   | 油封 (F) B50×68×8   | 1         |                                 | GB9877.1-88-B50×68×8     |
|   | 4  | 810110000148   | O 型密封圈 145×3.55   | 1         |                                 | GB3452.1-92-145×3.55     |
|   | 5  | 810110000141   | 螺栓 M8×25          | 1         |                                 | GB5783-86-M8×25          |
|   | 6  | 810110000150   | 螺栓 M8×35          | 1         |                                 | GB5783-86-M8×35          |



|  |    |              |              |   |  |                 |
|--|----|--------------|--------------|---|--|-----------------|
|  | 7  | 810110000077 | 密封圈 8×14×1.5 | 2 |  | Q20-03-8×14×1.5 |
|  | 8  | 810110001412 | 主动齿轮         | 1 |  | YQX30-3003      |
|  | 9  | 810110000153 | 衬套           | 1 |  | YQX30-3004      |
|  | 10 | 810110000154 | 被动齿轮         | 1 |  | YQX30-3005      |
|  | 11 | 810110001411 | 圆柱销 B8×16    | 2 |  | GB119-86-B8×16  |
|  | 12 | 810110000155 | 导轮座          | 1 |  | YQX30-3006      |
|  |    |              |              |   |  |                 |
|  |    |              |              |   |  |                 |

| 图 20 减速器和差速器 (绍兴)<br>Fig.20 Reduction & differential (ShaoXin) | 1.0t-3.8t<br>全部车型 All models of truck |                |                    |           |                                 | 原物料码<br>Original Part No |
|--|---------------------------------------|----------------|--------------------|-----------|---------------------------------|--------------------------|
|  | 序号<br>Item                            | 物料码<br>Part No | 名称<br>Description  | 数量<br>Qty | 备注或适用车型<br>Remarks or Serial No |                          |
|  | 1                                     | 810110000156   | 螺栓 M10×25          | 8         |                                 | GB5783-86-M10×25         |
|  | 2                                     | 810110000034   | 垫圈 10              | 8         |                                 | GB93-87-10               |
|  | 3                                     | 810110000158   | 轴承盖                | 2         |                                 | YQX30-0021               |
|  | 4                                     | 810110000159   | O 型密封圈 75×3.1      | 2         |                                 | GB1235-76-75×3.1         |
|  | 5                                     | 810110000160   | 垫片 (δ=0.1,0.2,0.5) |           | 按需                              | YQX30-0017               |
|  | 6                                     | 810110000161   | 轴承 32207           | 2         |                                 | GB297-94-32207           |

|  |   |              |         |   |             |              |
|--|---|--------------|---------|---|-------------|--------------|
|  | 7 | 810110000162 | 螺旋伞齿轮组件 | 1 | 1t-1.8t 液力车 | YQX25-0900   |
|  |   | 810110000163 | 螺旋伞齿轮组件 | 1 | 2t-3.8t 液力车 | YQX38-0900   |
|  |   | 810110000164 | 螺旋伞齿轮组件 | 1 | 1t-1.8t 机械车 | JDSL18-0900  |
|  |   | 810110000165 | 螺旋伞齿轮组件 | 1 | 2t-2.5t 机械车 | JDS30-0900   |
|  |   | 810110000166 | 螺旋伞齿轮组件 | 1 | 3t-3.8t 机械车 | JDS38-0900   |
|  | 8 | 810110000167 | 衬套      | 1 |             | YQX30-0019   |
|  | 9 | 810110000168 | 齿轴      | 1 | 1t-1.8t     | YQX25-0002   |
|  |   | 810110000169 | 齿轴      | 1 | 2t-2.5t     | YQX25HH-0002 |
|  |   | 810110000170 | 齿轴      | 1 | 3t-3.8t 机械车 | YQX30-0018   |

|  |                                       |                |                            |           |   |                          |
|--|---------------------------------------|----------------|----------------------------|-----------|---|--------------------------|
| 图 20 减速器和差速器 (绍兴)<br>Fig.20 Reduction & differential (ShaoXin) | 1.0t-3.8t<br>全部车型 All models of truck |                |                            |           |   |                          |
|  | 序号<br>Item                            | 物料码<br>Part No | 名称<br>Description          | 数量<br>Qty | 备注或适用车型<br>Remarks or Serial No             | 原物料码<br>Original Part No |
|  | 9                                     | 810110000171   | 齿轴                         | 1         | 3t-3.8t 液力车                                 | YQX30S-0018              |
|  | A1                                    | 810110000172   | 差速器总成                      | 1         | 1t-1.8t                                     | YQX25-2000               |
|  | A2                                    | 810110000173   | 差速器总成<br>Differential assy | 1         | 2t-2.5t XJDS<br>机械变速箱<br>Mechanical Gearbox | JDS30-2000               |

|  |    |              |                            |   |  |              |
|--|----|--------------|----------------------------|---|--|--------------|
|  | A3 | 810110000174 | 差速器总成<br>Differential assy | 1 | 2t-2.5t 液力变速箱<br>Hydrodynamic Gearbox<br>包含/ | YQX25HH-2000 |
|  | A4 | 810110000175 | 差速器总成                      | 1 | 3t-3.8t                                      | YQX30-2000   |
|  | 10 | 810110000176 | 大齿圈                        | 1 | 1t-1.8t                                      | YQX25-2003   |
|  |    | 810110000177 | 大齿圈                        | 1 | 2t-2.5t                                      | YQX25HH-2003 |
|  |    | 810110000178 | 大齿圈                        | 1 | 3t-3.8t                                      | YQX30-2003   |
|  | B  | 810110000179 | 差速器壳体组件 Case               | 1 | 1t-1.8t                                      | YQX25-2100   |
|  | B  | 810110000180 | 差速器壳体组件 Case               | 1 | 2t-2.5t                                      | YQXC30-2100  |
|  | B  | 810110000181 | 差速器壳体组件 Case               | 1 | 3t-3.8t                                      | YQX30-2100   |
|  | 11 | NO PART NO.  | 差速器右半壳 Case RH,            | 1 |  |              |
|  | 12 | NO PART NO.  | 差速器左半壳 Case LH,            | 1 |  |              |

|  |                                       |                |                   |           |                                 |                          |
|--|---------------------------------------|----------------|-------------------|-----------|---------------------------------|--------------------------|
| 图 20 减速器和差速器 (绍兴)<br>Fig.20 Reduction & differential (ShaoXin) | 1.0t-3.8t<br>全部车型 All models of truck |                |                   |           |                                 |                          |
|  | 序号<br>Item                            | 物料码<br>Part No | 名称<br>Description | 数量<br>Qty | 备注或适用车型<br>Remarks or Serial No | 原物料码<br>Original Part No |
|  | 13                                    | 810110000182   | 螺栓                | 12        | 1t-1.8t                         | YQX25-2002               |
|  | 13                                    | 810110000183   | 螺栓                | 16        | 2t-3.8t                         | YQX30-2002               |
|  | 14                                    | 810110000184   | 锁紧垫片              | 6         | 1t-1.8t                         | YQX25-2001               |

|  |    |              |             |    |           |                    |
|--|----|--------------|-------------|----|-----------|--------------------|
|  |    | 810110000185 | 锁紧垫片        | 8  | 2t-2.5t   | YQXC30-2001        |
|  |    | 810110000186 | 锁紧垫片        | 8  | 3t-3.8t   | YQX30-2001         |
|  | 15 | 810110000187 | 螺母 M10×1.25 | 12 | 1t-1.8t   | GB6176-86-M10×1.25 |
|  | 15 | 810110000187 | 螺母 M10×1.25 | 12 | 2.0t-2.5t | GB6176-86-M10×1.25 |
|  | 15 | 810110000187 | 螺母 M10×1.25 | 28 | 3t-3.8t   | GB6176-86-M10×1.25 |
|  | 16 | 810110000188 | 垫圈          | 2  | 1t-1.8t   | YQX25-2007         |
|  | 16 | 810110000189 | 垫圈          | 2  | 2t-3.8t   | YQX30-2007         |
|  | 17 | 810110000190 | 半轴齿轮        | 2  | 1t-1.8t   | YQX25-2009         |
|  | 17 | 810110000191 | 半轴齿轮        | 2  | 2t-3.8t   | YQX30-2009         |
|  | 18 | 810110000192 | 十字齿轮轴       | 1  | 1t-1.8t   | YQX25-2005/2008    |
|  | 18 | 810110000193 | 十字齿轮轴       | 1  | 2t-3.8t   | YQX30-2005/2008    |
|  |    |              |             |    |           |                    |

|  |                                       |                |                   |           |                                 |                          |
|--|---------------------------------------|----------------|-------------------|-----------|---------------------------------|--------------------------|
| 图 20 减速器和差速器 (绍兴)<br>Fig.20 Reduction & differential (ShaoXin) | 1.0t-3.8t<br>全部车型 All models of truck |                |                   |           |                                 |                          |
|  | 序号<br>Item                            | 物料码<br>Part No | 名称<br>Description | 数量<br>Qty | 备注或适用车型<br>Remarks or Serial No | 原物料码<br>Original Part No |
|  | 21                                    | 810110000194   | 行星齿轮              | 4         | 1t-1.8t                         | YQX25-2006               |
|  | 21                                    | 810110000195   | 行星齿轮              | 4         | 2t-3.8t                         | YQX30-2006               |

|  |    |              |         |    |         |               |
|--|----|--------------|---------|----|---------|---------------|
|  | 22 | 810110000196 | 止推垫圈    | 4  | 1t-1.8t | YQX25-2004    |
|  |    | 810110000197 | 止推垫圈    | 4  | 2t-3.8t | YQX30-2004    |
|  | 23 | 810110000198 | 轴承 6211 | 2  | 1t-1.8t | GB276-94-6211 |
|  |    | 810110000199 | 轴承 6213 | 2  | 2t-3.8t | GB276-94-6213 |
|  | 24 | 810110000200 | 螺栓      | 12 | 2t-3.8t | YQX30-2104    |
|  | 25 | 810110000201 | 锁紧垫片    | 6  | 3t-3.8t | YQX30-2103    |
|  |    |              |         |    |         |               |
|  |    |              |         |    |         |               |
|  |    |              |         |    |         |               |
|  |    |              |         |    |         |               |
|  |    |              |         |    |         |               |
|  |    |              |         |    |         |               |

|   |   |                |                   |           |                                 |                          |
|---|---|----------------|-------------------|-----------|---------------------------------|--------------------------|
| 图 21 变速器(机械式 其 1) 绍兴 ShaoXin<br>Fig.21 Transmission(clutch type part-1) | 1.0t-3.8t<br>XJDS 系列机械变速箱<br>XJDS Series Mechanical Gearbox |                |                   |           |                                 |                          |
|   | 序号<br>Item  | 物料码<br>Part No | 名称<br>Description | 数量<br>Qty | 备注或适用车型<br>Remarks or Serial No | 原物料码<br>Original Part No |
|   | 1   | 810110000037   | 密封垫圈 18×24×2      | 1         |                                 | Q20-03-18×24×2           |

|  |    |              |                  |    |  |                      |
|--|----|--------------|------------------|----|--|----------------------|
|  | 2  | 810110000038 | 螺塞 M18×1.5       | 1  |  | JDS30-0046           |
|  |    |              |                  |    |  |                      |
|  | 4  | 810110000034 | 弹簧垫圈 10          | 10 |  | GB93-87-10           |
|  | 5  | 810110000205 | 螺栓 M10×20        | 10 |  | GB5783-86-M10×20     |
|  | 6  | 810110000206 | O形密封圈 28×3.5     | 1  |  | GB1235-76-28×3.5     |
|  | 7  | 810110000207 | 外齿弹性垫圈           | 1  |  | JDS30-0017           |
|  | 8  | 810110000208 | 滑动螺杆             | 1  |  | JDS30-0010           |
|  | 9  | 810110000209 | 钢球通气塞 Z“1/8”—27  | 1  |  | Q903-Z“1/8”—27       |
|  | 10 | 810110000210 | 密封圈 14×24×1      | 2  |  | 14×24×1 Q/301B202-86 |
|  | 11 | 810110000211 | 倒车灯开关            | 2  |  | JK208H-3             |
|  | 12 | 810110000212 | 拨叉               | 1  |  | JDS30III-0003        |
|  | 13 | 810110000213 | 拨叉               | 1  |  | JDS30-0003           |
|  | 14 | 810110000214 | 弹簧               | 2  |  | JDS30-0004           |
|  | 15 | 810110000215 | 钢球 10.0000 G2006 | 2  |  | GB308-89-10.000G200b |

|   |   |                |                   |           |                                 |                          |
|---|---|----------------|-------------------|-----------|---------------------------------|--------------------------|
| 图 21 变速器(机械式 其 1) 绍兴 ShaoXin<br>Fig.21 Transmission(clutch type part-1) | 1.0t-3.8t<br>XJDS 系列机械变速箱<br>XJDS Series Mechanical Gearbox |                |                   |           |                                 |                          |
|   | 序号<br>Item  | 物料码<br>Part No | 名称<br>Description | 数量<br>Qty | 备注或适用车型<br>Remarks or Serial No | 原物料码<br>Original Part No |

|    |              |               |   |  |                  |
|----|--------------|---------------|---|--|------------------|
| 16 | 810110000216 | 传动杆           | 2 |  | JDS30-0006       |
| 17 | 810110000217 | 半圆键 5×19      | 2 |  | GB1099-79-5×19   |
| 18 | 810110000218 | O 形圈 22×2.4   | 2 |  | GB1235-76-22×2.4 |
| 19 | 810110000219 | 轴用弹性挡圈 22     | 2 |  | GB894.1-86-22    |
| 20 | 810110000220 | 换挡杆           | 1 |  | JDS30-0005       |
| 21 | 810110000221 | O 形密封圈 20×2.5 | 1 |  | GB1235-76-20×2.5 |
| 22 | 810110000222 | 塞             | 1 |  | JDS30-0043       |
| 23 | 810110000223 | O 形密封圈 35×3.1 | 1 |  | GB1235-76-35×3.1 |
| 24 | 810110000224 | 轴臂            | 1 |  | JDS30-0041       |
| 25 | 810110000225 | 螺母 M10        | 1 |  | GB6170-86-M10    |
| 26 | 810110000226 | 螺栓 M10×45     | 1 |  | GB5783-86-M10×45 |
| 27 | 810110000061 | 弹簧垫圈 8        | 2 |  | GB93-87-8        |
| 28 | 810110000062 | 螺栓 M8×20      | 2 |  | GB5783-86-M8×20  |
| 29 | 810110000229 | 箱盖垫片          | 1 |  | JDS30-0008       |
| 30 | 810110000230 | 箱盖            | 1 |  | JDS30-0007       |

|   |   |  |
|---|---|--|
| 图 22 变速器(机械式 其 2) 绍兴 ShaoXin<br>Fig.22 Transmission(clutch type part-2) | 1.0t-3.8t<br>XJDS 系列机械变速箱<br>XJDS Series Mechanical Gearbox |  |
|---|---|--|

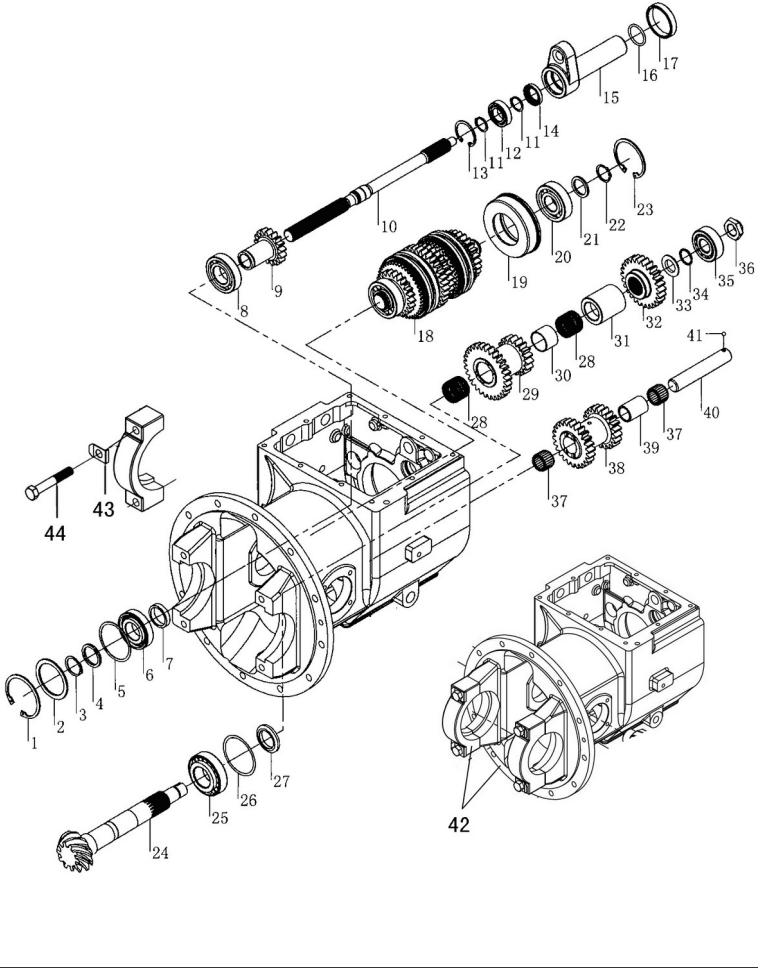
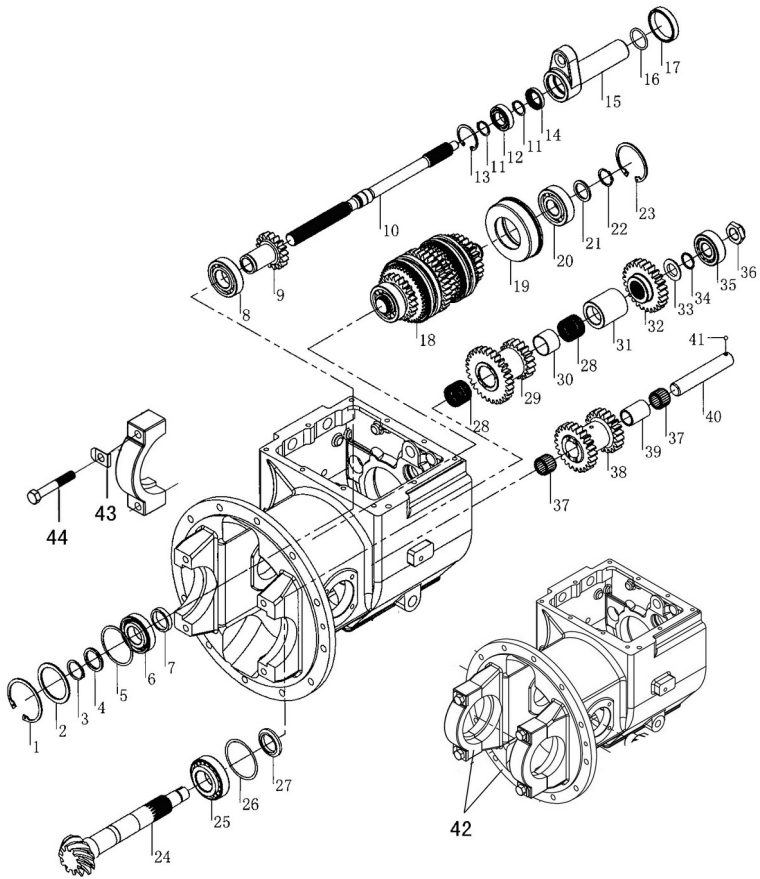
|  | 序号<br>Item | 物料码<br>Part No | 名称<br>Description | 数量<br>Qty | 备注或适用车型<br>Remarks or Serial No | 原物料码<br>Original Part No |
|--|------------|----------------|-------------------|-----------|---------------------------------|--------------------------|
|  | 1          | 810110000232   | 孔用弹性挡圈 80         | 1         |                                 | GB893.2-86-80            |
|  | 2          | 810110000233   | 轴承垫圈              | 1         |                                 | JDS30-0009               |
|  | 3          | 810110000234   | 轴用弹性挡圈 35         | 1         |                                 | GB894.1-86-35            |
|  | 4          | 810110000235   | 隔圈                | 1         |                                 | JDS30-0202               |
|  | 5          | 810110000236   | 止动环 72/78.6       | 1         |                                 | GB305-89-72/78.6         |
|  | 6          | 810110000237   | 轴承 6207N          | 1         |                                 | GB276-94-6207N           |
|  | 7          | 810110000238   | 隔套                | 1         |                                 | JDS30-0203               |
|  | 8          | 810110000049   | 轴承 6207           | 1         |                                 | GB276-94-6207            |
|  | 9          | 810110000240   | 输入齿轮              | 1         |                                 | JDS30-0201               |
|  | 10         | 810110000241   | 主动轴               | 1         |                                 | JDS30-0301               |
|  | 11         | 810110000242   | 轴用弹性挡圈 25         | 2         |                                 | GB894.1-86-25            |
|  | 12         | 810110000243   | 轴承 6005           | 1         |                                 | GB276-94-6005            |
|  | 13         | 810110000244   | 孔用弹性挡圈 47         | 1         |                                 | GB893.2-86-47            |
|  | 14         | 810110000245   | 油封 25×40×8        | 1         |                                 | JDS30-0019               |
|  | 15         | 810110000246   | 轴承架               | 1         |                                 | JDS30-0016               |



图 22 变速器(机械式 其 2) 绍兴 ShaoXin  
Fig.22 Transmission(clutch type part-2)

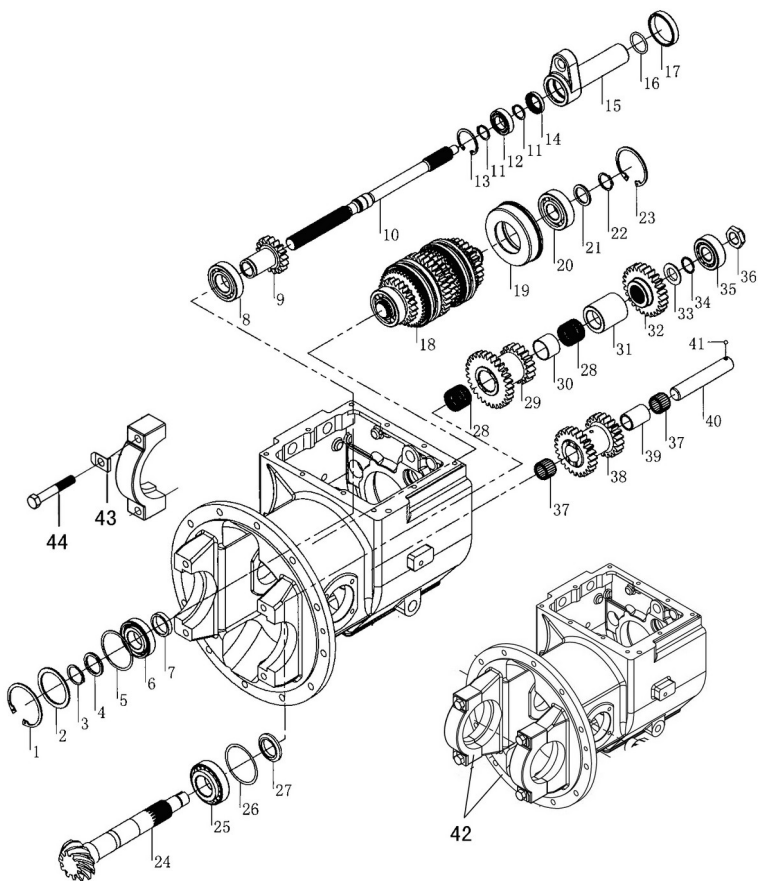
1.0t-3.8t  
XJDS 系列机械变速箱  
XJDS Series Mechanical Gearbox



| 序号<br>Item | 物料码<br>Part No | 名称<br>Description   | 数量<br>Qty  | 备注或适用车型<br>Remarks or Serial No | 原物料码<br>Original Part No |
|------------|----------------|---------------------|------------|---------------------------------|--------------------------|
| 16         | 810110000247   | O形密封圈 42×3.5        | 1          |                                 | GB1235-76-42×3.5         |
| 17         | 810110000248   | 轴环                  | 1          |                                 | JDS30-0018               |
| 18         | 810110000249   | 主轴组件                | 1          | 见图 23                           | JDS30-0400               |
| 19         | 810110000250   | 轴承保持圈               | 1          |                                 | JDS30-0029               |
| 20         | 810110000251   | 轴承 6306             | 1          |                                 | GB276-94-6306            |
| 21         | 810110000252   | 隔圈                  | 1          |                                 | JDS30-0027               |
| 22         | 810110000253   | 轴用弹性挡圈 30           | 1          |                                 | GB894.1-86-30            |
| 23         | 810110000254   | 孔用弹性挡圈 72           | 1          |                                 | GB893.2-86-72            |
| 24         | 810110000255   | 输出轴<br>Shaft,output | 1          | 1t-1.8t                         | JDS18-0001               |
|            | 2t-3.8t        |                     |            | JDS30-0040                      |                          |
|            |                |                     |            |                                 |                          |
| 25         | 810110000057   | 轴承 32208            | 1          |                                 | GB297-94-32208           |
| 26         | 810110000258   | 垫片 δ=0.1            | 按需<br>Need |                                 | JDS30-0011 (δ=0.1)       |
|            | 810110000259   | 垫片 δ=0.2            |            |                                 | JDS30-0011 (δ=0.2)       |
|            | 810110000260   | 垫片 δ=0.3            |            |                                 | JDS30-0011 (δ=0.3)       |

图 22 变速器(机械式 其 2) 绍兴 ShaoXin  
Fig.22 Transmission(clutch type part-2)

1.0t-3.8t  
XJDS 系列机械变速箱  
XJDS Series Mechanical Gearbox



| 序号<br>Item | 物料码<br>Part No | 名称<br>Description | 数量<br>Qty | 备注或适用车型<br>Remarks or Serial No | 原物料码<br>Original Part No |
|------------|----------------|-------------------|-----------|---------------------------------|--------------------------|
| 27         | 810110000261   | 止推垫圈              | 1         | 1t-1.8t                         | JDSL18-0012              |
| 27         | 810110000262   | 止推垫圈              | 1         | 2t-3.8t                         | JDS30-0012               |
| 28         | 810110000263   | 滚针轴承              | 2         |                                 | 35×40×30                 |
| 29         | 810110000264   | 双联齿轮              | 1         |                                 | JDS30-0014               |
| 30         | 810110000265   | 衬套                | 1         |                                 | JDS30-0013               |
| 31         | 810110000266   | 衬套                | 1         |                                 | JDS30-0015               |
| 32         | 810110000267   | 输出齿轮              | 1         |                                 | JDS30-0020               |
| 33         | 810110000268   | 止推板               | 1         |                                 | JDS30-0021               |
| 34         | 810110000269   | 隔环                | 1         |                                 | JDS30-0022               |
| 35         | 810110000270   | 轴承 32305          | 1         |                                 | GB297-94-32305           |
| 36         | 810110000271   | 锁紧螺母              | 1         |                                 | JDS30-0023               |
| 37         | 810110000272   | 滚针轴承              | 2         |                                 | 25×33×24                 |
| 38         | 810110000273   | 惰轮                | 1         |                                 | JDS30-0035               |
| 39         | 810110000274   | 衬套                | 1         |                                 | JDS30-0036               |

|  |    |              |     |   |  |            |
|--|----|--------------|-----|---|--|------------|
|  | 40 | 810110000275 | 惰轮轴 | 1 |  | JDS30-0034 |
|--|----|--------------|-----|---|--|------------|

| 图 22 变速器(机械式 其 2) 绍兴 ShaoXin<br>Fig.22 Transmission(clutch type part-2) | 1.0t-3.8t<br>XJDS 系列机械变速箱<br>XJDS Series Mechanical Gearbox |                |                   |           |                                 | 原物料码<br>Original Part No |
|---|---|----------------|-------------------|-----------|---------------------------------|--------------------------|
|   | 序号<br>Item  | 物料码<br>Part No | 名称<br>Description | 数量<br>Qty | 备注或适用车型<br>Remarks or Serial No |                          |
|   | 41  | 810110000276   | 钢球 6.3500 G2006   | 1         |                                 | GB308-89-6.3500 G2006    |
|   | 42  | 810110000277   | 机械变速箱壳体组件         | 1         | 1t-1.8t                         | JDSL18A-0100             |
|   | 42  | 810110000278   | 机械变速箱壳体组件         | 1         | 2t-3.8t                         | JDS30A-0100              |
|   | 43  | 810110000024   | 锁片                | 4         | 1t-1.8t                         | YQX25-0004               |
|   | 43  | 810110000025   | 锁片                | 4         | 2t-3.8t                         | YQX30-0023               |
|   | 44  | 810110000026   | 螺栓                | 4         |                                 | YQX30-0101               |
|   |   |                |                   |           |                                 |                          |
|   |   |                |                   |           |                                 |                          |
|   |   |                |                   |           |                                 |                          |
|   |   |                |                   |           |                                 |                          |
|   |   |                |                   |           |                                 |                          |
|   |   |                |                   |           |                                 |                          |
|   |   |                |                   |           |                                 |                          |
|   |   |                |                   |           |                                 |                          |

|  |  |  |  |  |
|--|--|--|--|--|
|  |  |  |  |  |
|  |  |  |  |  |

| 图 23 主轴组件 (绍兴)<br>Fig.23 Spindle assy (ShaoXin) |              | 1.0t-3.8t<br>XJDS 系列机械变速箱<br>XJDS Series Mechanical Gearbox |                   |           |                                 |                          |
|---|--------------|---|-------------------|-----------|---------------------------------|--------------------------|
|   | 序号<br>Item   | 物料码<br>Part No  | 名称<br>Description | 数量<br>Qty | 备注或适用车型<br>Remarks or Serial No | 原物料码<br>Original Part No |
|   | A1           | 810110000249  | 主轴组件              | 1         | 包含/INC:1-18                     | JDS30-0400               |
|   | 1            | 810110000283  | 主轴                | 1         |                                 | JDS30-0039               |
|   | 2            | 810110000284  | 滚针轴承              | 2         |                                 | 56×61×30                 |
|   | 3            | 810110000285  | 低速齿轮              | 1         |                                 | JDS30-0037               |
|   | 4            | 810110000286  | 同步环               | 4         |                                 | JDS30-0030               |
|   | 5            | 810110000287  | 弹簧                | 4         |                                 | JDS30-0031               |
|   | 6            | 810110000288  | 离合器从动盘毂           | 2         |                                 | JDS30-0028               |
|   | 7            | 810110000289  | 嵌块                | 6         |                                 | JDS30-0032               |
|   | 8            | 810110000290  | 1/2 档啮合套          | 1         |                                 | JDS30-0033               |
|   | 9            | 810110000291  | 轴用弹性挡圈 48         | 2         |                                 | GB894.1-86-48            |
| 10  | 810110000292 | 滚针轴承  | 2                 |           | 35×40×27                        |                          |
| 11  | 810110000293 | 高速齿轮  | 1                 |           | JDS30-0038                      |                          |

|  |    |              |          |   |  |                |
|--|----|--------------|----------|---|--|----------------|
|  | 12 | 810110000294 | 止推垫圈     | 2 |  | JDS30-0026     |
|  | 13 | 810110000295 | 轴承 NJ306 | 1 |  | GB283-94-NJ306 |
|  | 14 | 810110000252 | 隔圈       | 1 |  | JDS30-0027     |

| 图 23 主轴组件 (绍兴)<br>Fig.23 Spindle assy (ShaoXin) | 1.0t-3.8t<br>XJDS 系列机械变速箱<br>XJDS Series Mechanical Gearbox |                |                   |           |                                 | 原物料码<br>Original Part No |
|---|---|----------------|-------------------|-----------|---------------------------------|--------------------------|
|   | 序号<br>Item  | 物料码<br>Part No | 名称<br>Description | 数量<br>Qty | 备注或适用车型<br>Remarks or Serial No |                          |
|   | 15  | 810110000253   | 轴用弹性挡圈            | 1         |                                 | GB894.1-86-30            |
|   | 16  | 810110000298   | 倒档齿轮              | 1         |                                 | JDS30-0024               |
|   |   |                |                   |           |                                 |                          |
|   | 17  | 810110000299   | 啮合套               | 1         | ≥2013-01-01                     | JDS30-0044               |
|   | 18  | 810110000300   | 前进档齿轮             | 1         |                                 | JDS30-0025               |
|   |   |                |                   |           |                                 |                          |
|   |   |                |                   |           |                                 |                          |
|   |   |                |                   |           |                                 |                          |
|   |   |                |                   |           |                                 |                          |
|   |   |                |                   |           |                                 |                          |
|   |   |                |                   |           |                                 |                          |



|  |  |  |  |  |  |
|--|--|--|--|--|--|
|  |  |  |  |  |  |
|  |  |  |  |  |  |
|  |  |  |  |  |  |
|  |  |  |  |  |  |
|  |  |  |  |  |  |

| 图 25 变速箱 (其 1)<br>Fig.25 Transmission (part-1) | 1.0-3.5t<br>Y43160X 液力传动变速箱 (冈村)<br>Y43160X Hydrodynamic Transmission Gearbox (Okamura) |                |                   |           |                                 | 原物料码<br>Original Part No |
|--|---|----------------|-------------------|-----------|---------------------------------|--------------------------|
|  | 序号<br>Item  | 物料码<br>Part No | 名称<br>Description | 数量<br>Qty | 备注或适用车型<br>Remarks or Serial No |                          |
|  | 1   | 810110000848   | 变速箱总成             | 1         | INC:Fig 25-27                   | K91524-03000             |
|  | 2   | 810110000849   | 滤清器芯及盖            | 1         |                                 | K91A24-08200             |
|  | 201   | 810110000850   | 滤清器总成             | 1         |                                 | K91A24-08211             |
|  | 202   | 810110000851   | 磁石                | 3         |                                 | K91A24-08221             |
|  | 203   | 810110000852   | 弹簧                | 2         |                                 | K91A24-08231             |
|  | 3   | 201200010004   | 翼形联轴器总成           | 1         |                                 | R561-130000-000          |
|  | 301   | NO PART NO.    | 万向联轴器             | 1         |                                 |                          |
|  | 302   | NO PART NO.    | 十字轴               | 2         |                                 |                          |
|  | 303   | NO PART NO.    | 轴承                | 2         |                                 |                          |

|  |     |              |       |   |  |              |
|--|-----|--------------|-------|---|--|--------------|
|  | 4   | 810110000854 | 变矩器箱体 | 1 |  | K91524-16100 |
|  | 401 | 810110000855 | 密封圈   | 1 |  | KF5014-50000 |
|  | 5   | 810110000856 | 变速箱体  | 1 |  | K91324-45302 |
|  | 501 | 810110000857 | 钢球    | 4 |  | KF8000-12000 |
|  | 6   | 810110000858 | 输出法兰  | 1 |  | K91524-02300 |
|  | 7   | 810110000859 | 密封垫   | 1 |  | K91324-16300 |

|  |   |                |                   |           |                                 |                          |
|--|---|----------------|-------------------|-----------|---------------------------------|--------------------------|
| 图 25 变速箱 (其 1)<br>Fig.25 Transmission (part-1) | 1.0-3.5t<br>Y43160X 液力传动变速箱 (冈村)<br>Y43160X Hydrodynamic Transmission Gearbox (Okamura) |                |                   |           |                                 |                          |
|  | 序号<br>Item  | 物料码<br>Part No | 名称<br>Description | 数量<br>Qty | 备注或适用车型<br>Remarks or Serial No | 原物料码<br>Original Part No |
|  | 8   | 810110000860   | 油管                | 2         |                                 | K91428-00202             |
|  | 9   | 810110000861   | 温度开关              | 1         |                                 | K05204-50501             |
|  | 10  | 810110000862   | 油尺                | 1         |                                 | K91324-06400             |
|  | 11  | 810110000863   | 防尘盖               | 1         |                                 | K91A24-22500             |
|  | 12  | 810110000864   | 吊耳                | 1         |                                 | K91524-01500             |
|  | 13  | 810110000865   | 油尺管套              | 1         |                                 | K91228-03600             |
|  | 14  | 810110000866   | 空气阀               | 1         |                                 | K91524-01900             |
|  | 15  | 810110000867   | 密封圈               | 3         |                                 | K05500-24012             |



|  |    |              |       |   |  |              |
|--|----|--------------|-------|---|--|--------------|
|  | 16 | 810110000868 | 密封圈   | 2 |  | K05500-19010 |
|  | 17 | 810110000869 | 密封圈   | 2 |  | K05500-24022 |
|  | 18 | 810110000870 | 油封    | 1 |  | K91A24-08600 |
|  | 19 | 810110000871 | 螺塞    | 1 |  | K05531-01100 |
|  | 20 | 810110000872 | 密封圈   | 1 |  | K05500-24015 |
|  | 21 | 810110000873 | 螺栓、垫圈 | 5 |  | KF2005-10030 |
|  | 22 | 810110000874 | 法兰螺栓  | 8 |  | K91A24-05200 |

| 图 25 变速箱 (其 1)<br>Fig.25 Transmission (part-1) | 1.0-3.5t<br>Y43160X 液力传动变速箱 (冈村)<br>Y43160X Hydrodynamic Transmission Gearbox (Okamura) |                |                   |           |                                 |                          |
|--|---|----------------|-------------------|-----------|---------------------------------|--------------------------|
|  | 序号<br>Item  | 物料码<br>Part No | 名称<br>Description | 数量<br>Qty | 备注或适用车型<br>Remarks or Serial No | 原物料码<br>Original Part No |
|  | 23  | 810110000875   | 螺栓、垫圈             | 5         |                                 | KF2005-10060             |
|  | 24  | 810110000876   | 螺栓                | 3         |                                 | KF1155-10075             |
|  | 25  | 810110000877   | 法兰螺栓              | 3         |                                 | K91A24-05900             |
|  | 26  | 810110000878   | 螺栓、垫圈             | 1         |                                 | KF1805-12020             |
|  | 27  | 810110000879   | 法兰螺栓              | 2         |                                 | K91A24-08100             |
|  | 28  | 810110000880   | 弹簧垫               | 3         |                                 | KF2515-10000             |
|  | 29  | 810110000881   | 销                 | 2         |                                 | KF2846-12000             |

|  |    |              |     |   |  |              |
|--|----|--------------|-----|---|--|--------------|
|  | 30 | 810110000882 | 密封圈 | 1 |  | K05500-31065 |
|  | 31 | 810110000883 | 密封垫 | 4 |  | KF4202-14000 |
|  | 32 | 810110000884 | 密封垫 | 1 |  | KF4202-20000 |
|  | 33 | 810110000885 | 吊耳  | 2 |  | K91A24-05100 |
|  | 34 | 810110000886 | 油堵  | 1 |  | KF5000-20000 |
|  | 35 | 810110000887 | 螺塞  | 1 |  | KF5006-10000 |
|  | 36 | 810110000888 | 螺塞  | 1 |  | KF5005-26001 |
|  | 37 | 810110000889 | 塞子  | 1 |  | K91524-03300 |

| 图 25 变速箱 (其 1)<br>Fig.25 Transmission (part-1) | 1.0-3.5t<br>Y43160X 液力传动变速箱 (冈村)<br>Y43160X Hydrodynamic Transmission Gearbox (Okamura) |                |                   |           |                                 |                          |
|--|---|----------------|-------------------|-----------|---------------------------------|--------------------------|
|  | 序号<br>Item  | 物料码<br>Part No | 名称<br>Description | 数量<br>Qty | 备注或适用车型<br>Remarks or Serial No | 原物料码<br>Original Part No |
|  | 38  | 810110000890   | 法兰螺栓              | 8         |                                 | K91524-12500             |
|  | 39  | 810110000891   | 法兰螺栓              | 2         |                                 | K91524-02600             |
|  | 40  | 810110000892   | 修理包               | 1         |                                 | K91324-00028             |
|  |   |                |                   |           |                                 |                          |
|  |   |                |                   |           |                                 |                          |
|  |   |                |                   |           |                                 |                          |

|  |  |  |  |  |  |
|--|--|--|--|--|--|
|  |  |  |  |  |  |
|  |  |  |  |  |  |
|  |  |  |  |  |  |
|  |  |  |  |  |  |
|  |  |  |  |  |  |
|  |  |  |  |  |  |
|  |  |  |  |  |  |
|  |  |  |  |  |  |
|  |  |  |  |  |  |
|  |  |  |  |  |  |

| 图 26 变速箱 (其 2)<br>Fig.26 Transmission (part-2) | 1.0-3.5t<br>Y43160X 液力传动变速箱 (冈村)<br>Y43160X Hydrodynamic Transmission Gearbox (Okamura) |                |                   |           |                                 |                          |
|--|---|----------------|-------------------|-----------|---------------------------------|--------------------------|
|  | 序号<br>Item  | 物料码<br>Part No | 名称<br>Description | 数量<br>Qty | 备注或适用车型<br>Remarks or Serial No | 原物料码<br>Original Part No |
|  | 1   | 810110000893   | 弹簧座               | 2         |                                 | K91224-00800             |
|  | 2   | 810110000894   | 活塞                | 2         |                                 | K91224-17601             |
|  | 3   | 810110000895   | 活塞环               | 2         |                                 | K91B24-00700             |
|  | 4   | 810110000896   | 轴向垫圈              | 2         |                                 | K65425-13204             |
|  | 5   | 810110000897   | 密封环               | 2         |                                 | K91B24-00600             |

|  |      |              |       |    |  |              |
|--|------|--------------|-------|----|--|--------------|
|  | 6    | 810110000898 | 摩擦片   | 10 |  | K91324-02702 |
|  | 7    | 810110001410 | 动力传动片 | 12 |  | K91324-12601 |
|  | 8    | 810110000899 | 压力传动片 | 2  |  | K91324-04700 |
|  | 9    | 810110000901 | 密封环   | 4  |  | K58321-05000 |
|  | 10   | 810110000902 | 卡簧    | 2  |  | K58622-03001 |
|  | 11   | 810110000903 | 轴向垫圈  | 2  |  | K58622-15201 |
|  | 12   | 810110000904 | 螺旋件   | 2  |  | K58622-09500 |
|  | 13   | 810110000905 | 卡簧    | 2  |  | K58036-04600 |
|  | 14   | 810110000906 | 输入轴   | 1  |  | K91524-20020 |
|  | 1401 | 810110000907 | 螺钉    | 2  |  | K05950-08008 |

|  |   |                |                   |           |                                 |                          |
|--|---|----------------|-------------------|-----------|---------------------------------|--------------------------|
| 图 26 变速箱 (其 2)<br>Fig.26 Transmission (part-2) | 1.0-3.5t<br>Y43160X 液力传动变速箱 (冈村)<br>Y43160X Hydrodynamic Transmission Gearbox (Okamura) |                |                   |           |                                 |                          |
|  | 序号<br>Item  | 物料码<br>Part No | 名称<br>Description | 数量<br>Qty | 备注或适用车型<br>Remarks or Serial No | 原物料码<br>Original Part No |
|  | 15  | 810110000908   | 前进齿轮              | 1         |                                 | K91324-25500             |
|  | 16  | 810110000909   | 倒车齿轮              | 1         |                                 | K91324-25600             |
|  | 17  | 810110000910   | 回位弹簧              | 2         |                                 | K91324-06500             |
|  | 18  | 810110000911   | 弹性缓冲片             | 2         |                                 | K91524-11200             |

|  |    |              |        |   |               |              |
|--|----|--------------|--------|---|---------------|--------------|
|  | 19 | 810110000912 | 轴承     | 2 |               | K91524-12900 |
|  | 20 | 810110000913 | 钢球     | 2 |               | KF8000-08000 |
|  | 21 | 810110000914 | 轴承     | 2 |               | KF8010-06306 |
|  | 22 | 810110000915 | 离合器缸总成 | 1 | INC:1-8,10-21 | K91524-11010 |
|  |    |              |        |   |               |              |
|  |    |              |        |   |               |              |
|  |    |              |        |   |               |              |
|  |    |              |        |   |               |              |
|  |    |              |        |   |               |              |
|  |    |              |        |   |               |              |
|  |    |              |        |   |               |              |
|  |    |              |        |   |               |              |

|   |   |                |                   |           |                                 |                          |
|---|---|----------------|-------------------|-----------|---------------------------------|--------------------------|
| 图 27 变速箱 (其 3)<br>Fig.27 Transmission(part-3) | 1.0-3.5t<br>Y43160X 液力传动变速箱 (冈村)<br>Y43160X Hydrodynamic Transmission Gearbox (Okamura) |                |                   |           |                                 |                          |
|   | 序号<br>Item  | 物料码<br>Part No | 名称<br>Description | 数量<br>Qty | 备注或适用车型<br>Remarks or Serial No | 原物料码<br>Original Part No |
|   | 1   | 810110000944   | 导轮轴总成             | 1         |                                 | K91524-10030             |
|   | 101   | 810110000857   | 钢球                | 1         |                                 | KF8000-12000             |
|   | 102   | 810110000946   | 钢球                | 3         |                                 | KF8000-14000             |

|  |     |              |       |   |      |              |
|--|-----|--------------|-------|---|------|--------------|
|  | 103 | 810110000947 | 密封盖   | 1 |      | K04826-21600 |
|  | 104 | NO PART NO.  | 定轴    | 1 |      |              |
|  | 2   | 810110000948 | 油压调节阀 | 2 |      | K91224-02600 |
|  | 3   | 810110000949 | 弹簧    | 2 |      | K91224-12500 |
|  | 4   | 810110000950 | 机油泵体  | 1 |      | K91524-10010 |
|  | 401 | 810110000951 | 衬套    | 1 |      | K91524-05600 |
|  | 402 | NO PART NO.  | 泵体    | 1 |      |              |
|  | 5   | 810110000952 | 油泵齿轮  | 1 | Z=25 | K91524-23100 |
|  | 6   | 810110000953 | 油泵齿轮  | 1 | Z=30 | K91524-13200 |
|  | 7   | 810110000954 | 油封    | 1 |      | K91A24-07900 |
|  | 8   | 810110000955 | 密封圈   | 1 |      | K91A24-08300 |
|  | 9   | 810110000956 | 螺栓    | 1 |      | K91524-03500 |

|   |   |                |                   |           |                                 |                          |
|---|---|----------------|-------------------|-----------|---------------------------------|--------------------------|
| 图 27 变速箱 (其 3)<br>Fig.27 Transmission(part-3) | 1.0-3.5t<br>Y43160X 液力传动变速箱 (冈村)<br>Y43160X Hydrodynamic Transmission Gearbox (Okamura) |                |                   |           |                                 |                          |
|   | 序号<br>Item  | 物料码<br>Part No | 名称<br>Description | 数量<br>Qty | 备注或适用车型<br>Remarks or Serial No | 原物料码<br>Original Part No |
|   | 10  | 810110000957   | 垫圈                | 2         |                                 | KF2500-10000             |
|   | 11  | 810110000958   | 卡簧                | 2         |                                 | KF3202-02200             |

|  |    |              |       |   |      |              |
|--|----|--------------|-------|---|------|--------------|
|  | 12 | 810110000959 | 惰轮轴   | 1 |      | K91324-05700 |
|  | 13 | 810110000960 | 齿轮    | 1 | Z=35 | K91324-05800 |
|  | 14 | 810110000961 | 输出齿轮  | 1 | Z=70 | K91324-15903 |
|  | 15 | 810110000962 | 挡油板   | 1 |      | K91324-22900 |
|  | 16 | 810110000963 | 螺栓、垫圈 | 1 |      | KF1805-08035 |
|  | 17 | 810110000956 | 螺栓    | 5 |      | K91524-03500 |
|  | 18 | 810110000879 | 法兰螺栓  | 2 |      | K91A24-08100 |
|  | 19 | 810110000966 | 卡簧    | 1 |      | KF3200-03500 |
|  | 20 | 810110000967 | 密封圈   | 1 |      | K05500-31125 |
|  | 21 | 810110000914 | 轴承    | 2 |      | KF8010-06306 |
|  | 22 | 810110000969 | 轴承    | 1 |      | KF8004-06012 |
|  | 23 | 810110000970 | 轴承    | 1 |      | KF8006-06212 |
|  | 24 | 810110000971 | 法兰螺栓  | 1 |      | K91524-04200 |

|                                  |   |                |                   |           |                                 |                          |  |
|----------------------------------|---|----------------|-------------------|-----------|---------------------------------|--------------------------|--|
| 图 28 控制阀<br>Fig.28 Control valve | 1.0-3.5t<br>Y43160X 液力传动变速箱 (冈村)<br>Y43160X Hydrodynamic Transmission Gearbox (Okamura) |                |                   |           |                                 |                          |  |
|                                  | 序号<br>Item  | 物料码<br>Part No | 名称<br>Description | 数量<br>Qty | 备注或适用车型<br>Remarks or Serial No | 原物料码<br>Original Part No |  |
|                                  | A1  | 810110000972   | 控制阀总成             | 1         |                                 | K91328-04000             |  |

|  |    |              |        |   |  |              |
|--|----|--------------|--------|---|--|--------------|
|  | 2  | 810110000973 | 弹簧底座   | 1 |  | K91228-00501 |
|  | 3  | 810110000974 | 离合器阀弹簧 | 1 |  | K91228-06700 |
|  | 4  | 810110000975 | 主油压阀弹簧 | 1 |  | K91228-01300 |
|  | 5  | 810110001409 | 缓冲阀活塞  | 1 |  | K91228-15201 |
|  | 6  | 810110000977 | 弹簧底座   | 1 |  | K91228-15302 |
|  | 7  | 810110000978 | 弹簧 (外) | 1 |  | K91228-26300 |
|  | 8  | 810110000979 | 弹簧(内)  | 1 |  | K91228-16400 |
|  | 9  | NO PART NO.  | 离合器阀柱塞 | 1 |  |              |
|  | 10 | 810110000980 | 油封     | 1 |  | K91228-10700 |
|  | 11 | 810110000981 | 主油压弹簧  | 1 |  | K91228-10800 |
|  | 12 | 810110000982 | 回位弹簧   | 1 |  | K91228-11100 |
|  | 13 | 810110000983 | 离合器阀   | 1 |  | K91228-16500 |
|  | 14 | 810110000984 | 组合塞    | 1 |  | K65528-00902 |
|  | 15 | 810110000985 | 销      | 1 |  | K91328-04300 |

|                                  |   |                |                   |           |                                 |                          |  |
|----------------------------------|---|----------------|-------------------|-----------|---------------------------------|--------------------------|--|
| 图 28 控制阀<br>Fig.28 Control valve | 1.0-3.5t<br>Y43160X 液力传动变速箱 (冈村)<br>Y43160X Hydrodynamic Transmission Gearbox (Okamura) |                |                   |           |                                 |                          |  |
|                                  | 序号<br>Item  | 物料码<br>Part No | 名称<br>Description | 数量<br>Qty | 备注或适用车型<br>Remarks or Serial No | 原物料码<br>Original Part No |  |



|  |    |              |       |   |  |              |
|--|----|--------------|-------|---|--|--------------|
|  | 16 | 810110000986 | 定位销   | 1 |  | K58628-01702 |
|  | 17 | 810110000987 | 螺杆    | 1 |  | K51727-05402 |
|  | 18 | 810110000988 | 螺杆    | 1 |  | K51727-06502 |
|  | 19 | NO PART NO.  | 调压阀   | 1 |  |              |
|  | 20 | 810110000989 | 螺栓    | 4 |  | K91328-04500 |
|  | 21 | 810110000990 | 螺栓    | 2 |  | K91328-03800 |
|  | 22 | 810110000991 | 螺栓    | 2 |  | K91328-03900 |
|  | 23 | 810110000992 | 螺栓    | 2 |  | K91328-04400 |
|  | 24 | 810110000993 | 螺栓、垫圈 | 4 |  | KF1805-08065 |
|  | 25 | 810110000883 | 密封垫   | 1 |  | KF4202-14000 |
|  | 26 | 810110000995 | 螺塞    | 1 |  | KF5005-10001 |
|  | 27 | 810110000996 | 油堵    | 1 |  | KF5000-14000 |
|  | 28 | 810110000997 | 密封圈   | 1 |  | K05500-19008 |
|  | 29 | 810110000868 | 密封圈   | 1 |  | K05500-19010 |
|  | 30 | 810110000872 | 密封圈   | 2 |  | K05500-24015 |

|                                  |   |  |
|----------------------------------|---|--|
| 图 28 控制阀<br>Fig.28 Control valve | 1.0-3.5t<br>Y43160X 液力传动变速箱 (冈村)<br>Y43160X Hydrodynamic Transmission Gearbox (Okamura) |  |
|----------------------------------|---|--|

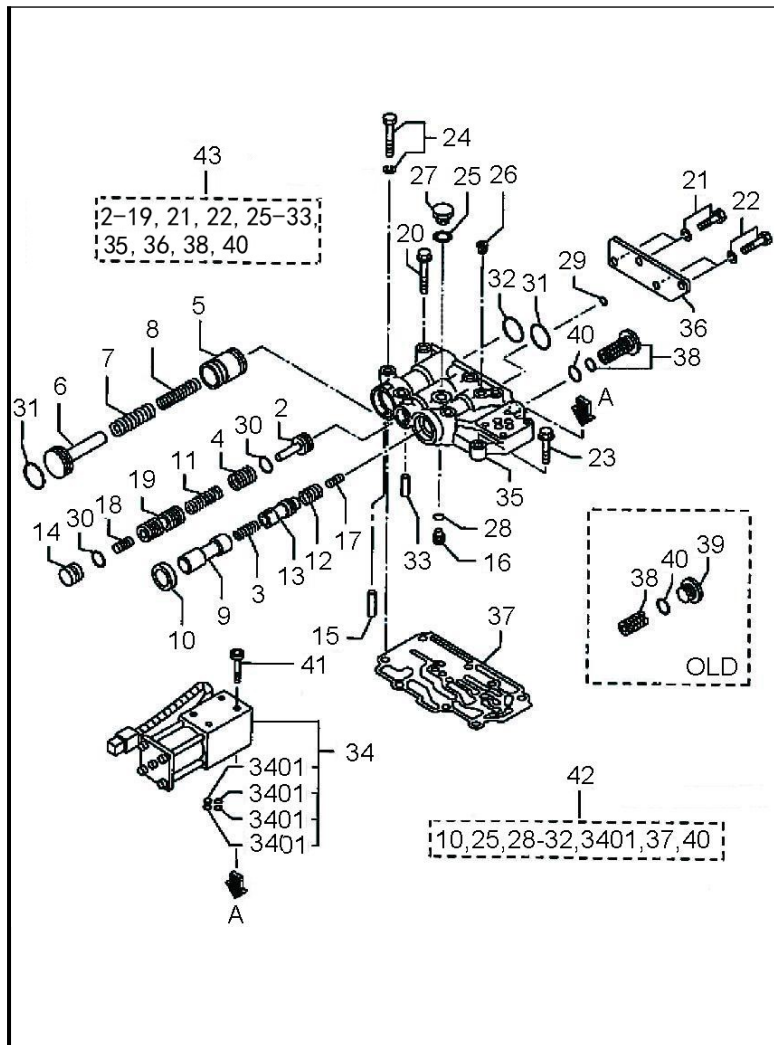
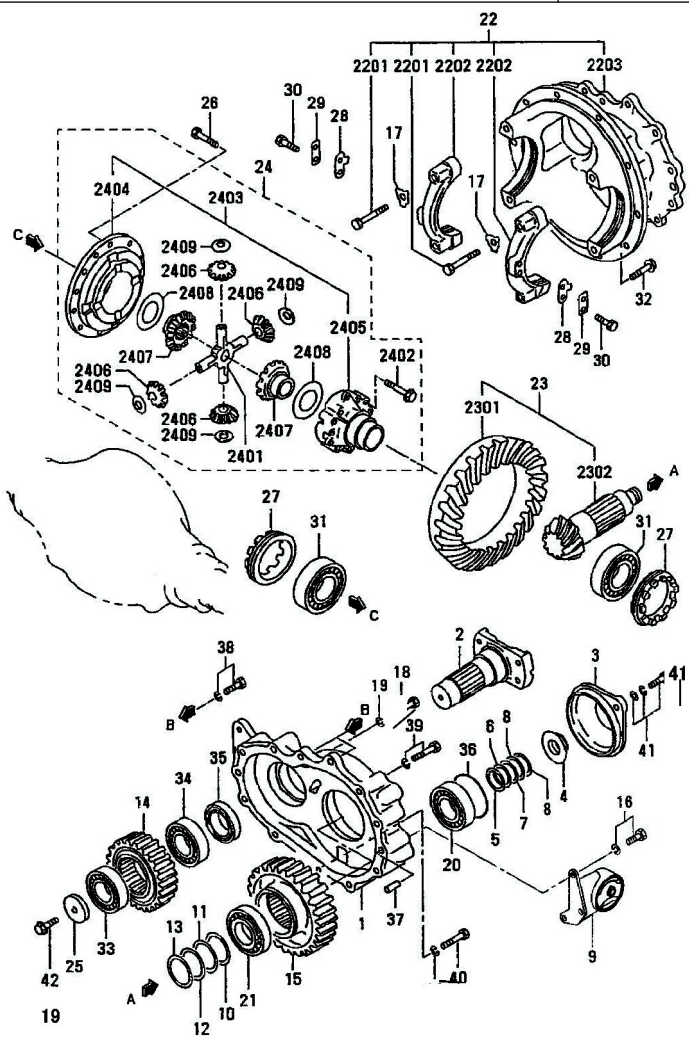
|  | 序号<br>Item | 物料码<br>Part No | 名称<br>Description | 数量<br>Qty | 备注或适用车型<br>Remarks or Serial No | 原物料码<br>Original Part No |
|---|------------|----------------|-------------------|-----------|---------------------------------|--------------------------|
|   | 31         | 810110001000   | 密封圈               | 2         |                                 | K05500-35025             |
|   | 32         | 810110001001   | 密封圈               | 1         |                                 | K05500-35030             |
|   | 33         | 810110001002   | 销                 | 1         |                                 | K91328-04200             |
|   | 34         | 810110001003   | 电磁阀总成             | 1         |                                 | K91A28-30010             |
|   | 3401       | 810110001004   | 密封圈               | 4         |                                 | K91328-08500             |
|   | 35         |                | 控制阀体              | 1         |                                 |                          |
|   | 36         | 810110001005   | 挡板                | 1         |                                 | K91328-03200             |
|   | 37         | 810110001006   | 密封垫               | 1         |                                 | K91329-04700             |
|   | 38         | 810110001007   | 油塞                | 1         |                                 | K05530-50300             |
|   | 40         | 810110001008   | 密封圈               | 4         |                                 | K00500-24014             |
|   | 41         | 810110001009   | 螺栓                | 1         |                                 | K91328-04800             |
|   | 42         | 810110001010   | 修理包               | 1         | INC:10,25,28-32,                | K91328-00048             |
|   | 43         | K91328-04001   | 控制阀阀体总成           | 1         | 包含/INC:2-19,21,22,              | K91328-04001             |
|   |            |                |                   |           |                                 |                          |
|   |            |                |                   |           |                                 |                          |

图 29 2.0-2.5t 主减速器·差速器总成  
Fig.29 2.0-2.5t Reduction & Differential

2.0-2.5t  
Y43160X 液力传动变速箱 (冈村)

Y43160X Hydrodynamic Transmission Gearbox (Okamura)



| 序号<br>Item | 物料码<br>Part No | 名称<br>Description | 数量<br>Qty | 备注或适用车型<br>Remarks or Serial No | 原物料码<br>Original Part No |
|------------|----------------|-------------------|-----------|---------------------------------|--------------------------|
| 1          | 810110001011   | 桥壳                | 1         |                                 | K91331-40200             |
| 2          | 810110001361   | 输入法兰              | 1         |                                 | K91531-00800             |
| 3          | 810110001362   | 防尘盖               | 1         |                                 | K91331-30400             |
| 5          | 810110001364   | 调整垫片              | 1         |                                 | K91331-03700             |
| 6          | 810110001365   | 调整垫片              | 1         |                                 | K91331-03800             |
| 7          | 810110001365   | 调整垫片              | 1         |                                 | K91331-03800             |
| 9          | 810110001369   | 调整垫片              | 1         |                                 | K91331-01200             |
| 10         | 810110001370   | 调整垫片              | 1         |                                 | K91331-01300             |
| 11         | 810110001371   | 调整垫片              | 1         |                                 | K91331-01400             |
| 12         | 810110001372   | 调整垫片              | 1         |                                 | K91331-01500             |
| 13         | 810110001060   | 驱动齿轮              | 1         |                                 | K91331-11601             |
| 17         | 810110001061   | 驱动齿轮              | 1         |                                 | K91331-12201             |
| 22         | 810110001379   | 轴承                | 1         |                                 | K05644-04200             |
| 23         | 810110001380   | 轴承                | 1         |                                 | K05644-04300             |
| 24         | 810110001064   | 主减速器壳             | 1         |                                 | K91531-40011             |

图 29 2.0-2.5t 主减速器·差速器总成  
Fig.29 2.0-2.5t Reduction & Differential

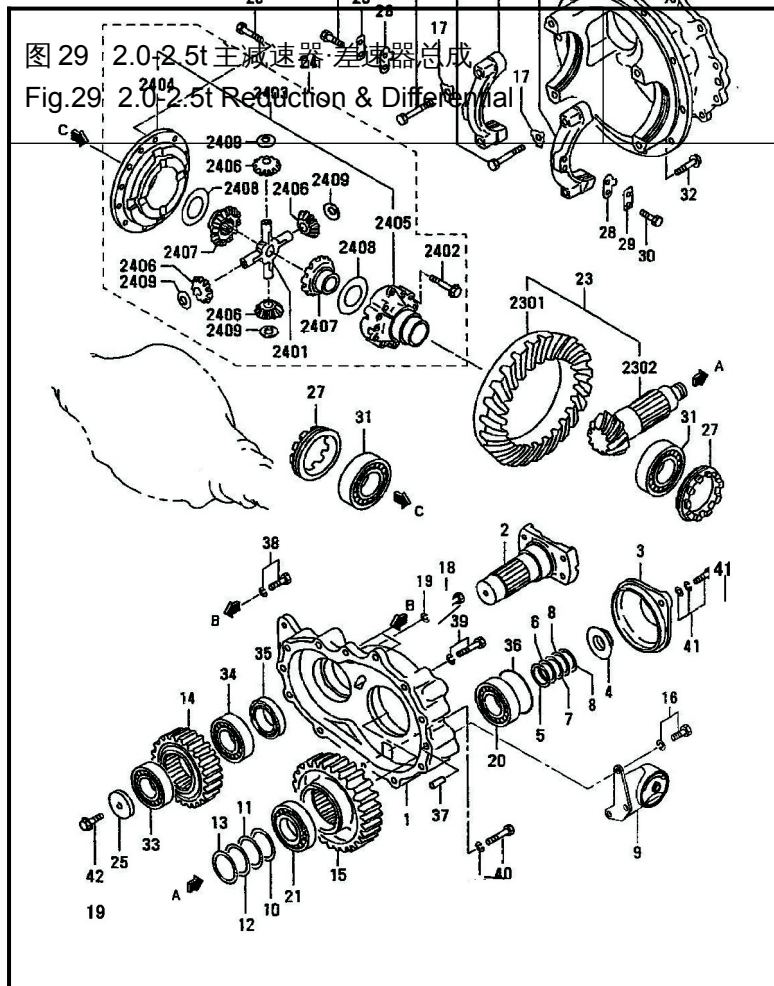
2.0-2.5t  
Y43160X 液力传动变速箱 (冈村)  
Y43160X Hydrodynamic Transmission Gearbox (Okamura)

| 序号<br>Item | 物料码<br>Part No | 名称<br>Description | 数量<br>Qty | 备注或适用车型<br>Remarks or Serial No | 原物料码<br>Original Part No |
|------------|----------------|-------------------|-----------|---------------------------------|--------------------------|
| 2401       | 810110001382   | 螺栓                | 4         |                                 | KMH001183                |
| 2402       |                | 侧轴承               | 2         |                                 |                          |
| 2403       |                | 差速器座              | 1         |                                 |                          |
| 25         | 810110001066   | 减速齿轮              | 1         | Z=34                            | K91531-20030             |
| 2501       |                | 齿圈                | 1         |                                 |                          |
| 2502       |                | 齿轴                | 1         |                                 |                          |
| 27         | 810110001067   | 差速器总成             | 1         |                                 | K91531-00021             |
| 2701       | 810110001068   | 弹簧销               | 1         |                                 | KF2805-06045             |
| 2702       | 810110001390   | 垫圈                | 2         |                                 | KMC866977                |
| 2703       | 810110001070   | 垫圈                | 2         |                                 | K65532-10800             |
| 2704       | 810110001071   | 齿轴                | 1         |                                 | K91431-13500             |
| 2705       | 810110001072   | 齿轮                | 2         | Z=16                            | K91431-33900             |
| 2706       | 810110001073   | 小齿轮               | 2         |                                 | K91431-34100             |
| 2707       | 810110001074   | 盖                 | 1         |                                 | K91531-10400             |

|  |    |              |      |   |  |              |
|--|----|--------------|------|---|--|--------------|
|  | 28 | 810110001392 | 定位垫圈 | 1 |  | K91531-00700 |
|--|----|--------------|------|---|--|--------------|

| 图 29 2.0-2.5t 主减速器、差速器总成<br>Fig.29 2.0-2.5t Reduction & Differential |                | 2.0-2.5t<br>Y43160X 液力传动变速箱 (冈村)<br>Y43160X Hydrodynamic Transmission Gearbox (Okamura) |           |                                 |                          |  |
|--|----------------|---|-----------|---------------------------------|--------------------------|--|
| 序号<br>Item   | 物料码<br>Part No | 名称<br>Description   | 数量<br>Qty | 备注或适用车型<br>Remarks or Serial No | 原物料码<br>Original Part No |  |
| 30   | 810110001393   | 螺栓  | 12        |                                 | KMC802396                |  |
| 31   | 810110001077   | 侧轴承   | 2         |                                 | K91431-13600             |  |
| 32   | 810110001078   | 锁销  | 2         |                                 | K91431-03700             |  |
| 33   | 810110000847   | 螺栓、垫圈   | 2         |                                 | KF1805-08016             |  |
| 34   | 810110001080   | 轴承  | 2         |                                 | K91431-03800             |  |
| 36   | 810110001081   | 轴承  | 1         |                                 | KF8006-06208             |  |
| 37   | 810110001082   | 轴承  | 1         |                                 | KF8006-06209             |  |
| 38   | 810110001083   | 油封  | 1         |                                 | K05564-35100             |  |
| 39   | 810110001084   | 密封圈   | 1         |                                 | KF3153-11000             |  |
| 40   | 810110000881   | 销   | 2         |                                 | KF2846-12000             |  |
| 41   | 810110001086   | 螺栓、垫圈   | 2         |                                 | K91A24-03300             |  |
| 42   | 810110001087   | 螺栓、垫圈   | 7         |                                 | K91A24-07600             |  |
| 43   | 810110001088   | 螺栓  | 1         |                                 | K91A24-07700             |  |

|  |    |              |       |   |  |              |
|--|----|--------------|-------|---|--|--------------|
|  | 44 | 810110001089 | 螺栓、垫圈 | 2 |  | K91A24-13400 |
|  | 45 | 810110001090 | 螺栓、垫圈 | 1 |  | K92233-31600 |



| 2.0-2.5t<br>Y43160X 液力传动变速箱 (冈村)<br>Y43160X Hydrodynamic Transmission Gearbox (Okamura) |                |                   |           |                                 |                          |
|---|----------------|-------------------|-----------|---------------------------------|--------------------------|
| 序号<br>Item  | 物料码<br>Part No | 名称<br>Description | 数量<br>Qty | 备注或适用车型<br>Remarks or Serial No | 原物料码<br>Original Part No |
| 46  | 810110001091   | 垫圈                | 4         |                                 | K91431-03300             |
| 48  | 810110001092   | 螺栓、垫圈             | 1         |                                 | KF1805-10080             |
| 50  | 810110001363   | 锁紧螺母              | 1         |                                 | K91331-13600             |
| 51  | 810110001367   | 调整垫片              | 2         |                                 | K91331-04200             |
| 53  | 810110001368   | 支架总成              | 1         |                                 | K91331-30031             |
| 54  | 810110001375   | 螺栓、垫圈             | 3         |                                 | KF1805-12025             |
|   |                |                   |           |                                 |                          |
|   |                |                   |           |                                 |                          |
|   |                |                   |           |                                 |                          |
|   |                |                   |           |                                 |                          |
|   |                |                   |           |                                 |                          |
|   |                |                   |           |                                 |                          |
|   |                |                   |           |                                 |                          |

|  |  |  |  |  |  |
|--|--|--|--|--|--|
|  |  |  |  |  |  |
|  |  |  |  |  |  |
|  |  |  |  |  |  |

| 图 30 变速箱 (其 1)<br>Fig.30 Transmission (part-1) |              | 1.0-3.5t<br>YQXF 系列液力传动变速箱 (绍兴)<br>YQXF Series Hydrodynamic Transmission Gearbox (SHAOXIN) |                    |           |                                 |                          |
|--|--------------|--|--------------------|-----------|---------------------------------|--------------------------|
|  | 序号<br>Item   | 物料码<br>Part No   | 名称<br>Description  | 数量<br>Qty | 备注或适用车型<br>Remarks or Serial No | 原物料码<br>Original Part No |
|  | 1            | 810110001149   | 变矩器<br>—           | 1         | 1.0-1.8t                        | YQXF15-6100              |
|  | 1            | 810110001150   | 变矩器<br>—           | 1         | 2.0-3.5t                        | YQXF30-6100              |
|  | 2            | 810110001151   | 输入板组件              | 1         |                                 | YQX30H-6200              |
|  | 3            | 810110001152   | 螺栓 M10×1.25×16     | 6         |                                 | GB5786-86-               |
|  | 4            | 810110001153   | 泵体<br>—            | 1         |                                 | YQXF30-3001              |
|  | 5            | 810110001154   | 主动齿轮组件<br>—        | 1         |                                 | YQXF30-3200              |
|  | 6            | 810110001155   | 内齿轮<br>—           | 1         |                                 | YQXF30-3003              |
|  | 7            | 810110001156   | 油封<br>—            | 1         |                                 | TC 42×60×9               |
|  | 8            | 810110001157   | 十字槽沉头螺钉 M6×12<br>— | 1         |                                 | GB819-87-M6×12           |
| 9  | 810110001157 | 导轮座(定子)<br>—   | 1                  |           | GB819-87-M6×12                  |                          |
| 10   | 810110001159 | O 型圈<br>—  | 1                  |           | YQXF30-0003                     |                          |

|  |    |              |       |   |           |             |
|--|----|--------------|-------|---|-----------|-------------|
|  | A  | 810110001584 | 密封环组件 | 1 | INC:11、12 | YQXF30-3100 |
|  | 11 | 810110001160 | 密封环卡簧 | 1 |           | YQXF30-3101 |
|  | 12 | 810110001161 | 密封环   | 1 |           | YQXF30-3102 |
|  | 13 | 810110001162 | 变矩器壳体 | 1 |           | YQXF30-0201 |

| 图 30 变速箱 (其 1)<br>Fig.30 Transmission (part-1) | 1.0-3.5t<br>YQXF 系列液力传动变速箱 (绍兴)<br>YQXF Series Hydrodynamic Transmission Gearbox (SHAOXIN) |                 |                   |            |                                 |                           |
|--|--|-----------------|-------------------|------------|---------------------------------|---------------------------|
|  | 序号<br>No.  | 物料码<br>Part No. | 名称<br>Description | 数量<br>Qty. | 备注或适用车型<br>Remarks or Car Model | 原物料码<br>Original Part No. |
|  | 14   | 810110000034    | 弹簧垫圈 10           | 6          |                                 | GB93-87-10                |
|  | 15   | 810110001164    | 活塞                | 1          |                                 | YQXF30-0206               |
|  | 16   | 810110001165    | 弹簧 (II)           | 1          |                                 | YQXF30-0211               |
|  | 17   | 810110001166    | 弹簧 (I)            | 1          |                                 | YQXF30-0207               |
|  | 18   | 810110001167    | 活塞                | 2          |                                 | YQXF30-0209               |
|  | 19   | 810110001168    | 弹簧 (III)          | 1          |                                 | YQXF30-0212               |
|  | 20   | 810110001169    | 盖                 | 1          |                                 | YQXF30-0202               |
|  | 21   | 810110001170    | 密封垫               | 1          |                                 | YQXF30-0203               |
|  | 22   | 810110001171    | 油滤座               | 1          |                                 | YQXF30-0204               |
|  | 23   | 810110001172    | 油滤座纸垫             | 1          |                                 | YQXF30-0205               |



|   |    |              |              |   |  |                 |
|---|----|--------------|--------------|---|--|-----------------|
|  | 24 | 810110001173 | 粗滤器组件        | 1 |  | YQXF30-0240     |
|   | 25 | 810110001174 | 六角法兰螺栓       | 5 |  | YQXF30-0008     |
|   | 26 | 810110000077 | 密封圈 8×14×1.5 | 5 |  | Q20-03-8×14×1.5 |
|   | 27 | 810110001176 | 内六角螺钉 M6×20  | 4 |  | GB70-85-M6×20   |
|   | 28 | 810110001177 | 螺栓 M8×30     | 9 |  | GB5783-86-M8×30 |

| 图 30 变速箱 (其 1)<br>Fig.30 Transmission (part-1) |                | 1.0-3.5t<br>YQXF 系列液力传动变速箱 (绍兴)<br>YQXF Series Hydrodynamic Transmission Gearbox (SHAOXIN) |           |                                 |                          |  |
|--|----------------|--|-----------|---------------------------------|--------------------------|--|
| 序号<br>Item                                     | 物料码<br>Part No | 名称<br>Description  | 数量<br>Qty | 备注或适用车型<br>Remarks or Serial No | 原物料码<br>Original Part No |  |
| 29   | 810110001178   | 螺塞   | 3         |                                 | JB/ZQ 4446-86 1/4        |  |
| 30   | 810110001179   | 管接头  | 1         |                                 | YQXF30-0215              |  |
| 31   | 810110000134   | 滤油器 (II)   | 1         |                                 | YQX30-0300               |  |
| 32   | 810110001181   | 磁性螺塞   | 1         |                                 | YQS30-0104               |  |
| 33   | 810110001182   | 密封圈  | 1         |                                 | Q20-03 22×26×2           |  |
| 34   | 810110001183   | 主压力阀螺塞   | 1         |                                 | YQXF30-0208              |  |
| 35   | 810110001184   | O 型圈 21×3  | 1         |                                 | GB3452.1-86-21×3         |  |
| 36   | 810110001185   | 螺塞 R3/8  | 2         |                                 | JB/ZQ 4444-86 R3/8       |  |
| 37   | 810110001186   | 内六角螺塞 M22×1.5  | 1         |                                 | JB/ZQ 4444-86 M22×1.5    |  |

|  |    |              |             |   |          |             |
|--|----|--------------|-------------|---|----------|-------------|
|  | 38 | 810110001187 | 平垫圈 8       | 9 |          | GB97-85-8   |
|  | 39 | 810110001188 | YJH265E 变矩器 | 1 | 1.0-1.8t | YQXF15-6000 |
|  | 39 | 810110001189 | YJH265G 变矩器 | 1 | 2.0-3.5t | YQXF30-6000 |
|  | 40 | 810110001190 | 油泵总成        | 1 |          | YQXF30-3000 |
|  |    |              |             |   |          |             |
|  |    |              |             |   |          |             |

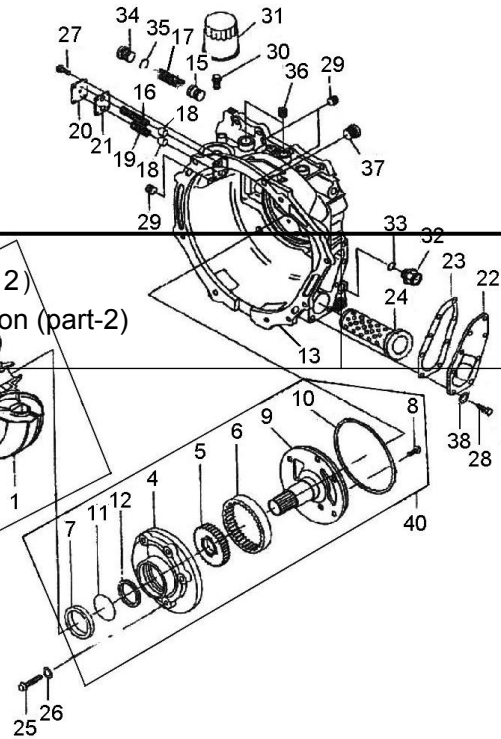


图 31 变速箱 (其 2)  
Fig. 31 Transmission (part-2)

1.0-3.5t  
YQXF 系列液力传动变速箱 (绍兴)  
YQXF Series Hydrodynamic Transmission Gearbox (SHAOXIN)

| 序号<br>Item | 物料码<br>Part No | 名称<br>Description | 数量<br>Qty | 备注或适用车型<br>Remarks or Serial No | 原物料码<br>Original Part No |
|------------|----------------|-------------------|-----------|---------------------------------|--------------------------|
| 1          | 810110001191   | 壳体                | 1         |                                 | YQXF30-0101              |
| 1          | 810110001192   | 衬套                | 2         |                                 | YQXF30-0106              |
| 2          | 810110001193   | 六角法兰螺栓            | 17        |                                 | YQXF30-0007              |
| 3          | 810110001194   | 盖板                | 1         |                                 | YQXF30-0213              |
| 4          | 810110001195   | 内螺纹圆柱销 10×24      | 2         |                                 | GB120-86-10×24           |
| 5          | 810110001196   | 油尺                | 1         |                                 | YQXF30-0220              |
| 6          | 810110001197   | 通气帽组件             | 1         |                                 | YQXF30-0230              |
| 7          | 810110001198   | 加油口盖              | 1         |                                 | YQXF30-0104              |

|  |    |              |              |   |  |                     |
|--|----|--------------|--------------|---|--|---------------------|
|  | 8  | 810110001199 | 挡油板          | 1 |  | YQXF30-0102         |
|  | 9  | 810110001200 | 螺栓 M6×16     | 4 |  | GB5783-86-M6×16     |
|  | 10 | 810110001201 | 平垫圈 6        | 4 |  | GB97.1-85-6         |
|  | 11 | 810110001202 | 螺塞 R1/8      | 1 |  | JB/ZQ4446-86 R1/8   |
|  | 12 | 810110001203 | O 型圈 16×2.65 | 1 |  | GB3452.1-87-16×2.65 |
|  | 13 | 810110001204 | 挡板           | 1 |  | YQXF30-0214         |
|  | 14 | 810110001205 | 螺栓 M8×20     | 1 |  | GB5783-86           |

| 图 31 变速箱 (其 2)<br>Fig. 31 Transmission (part-2) | 1.0-3.5t<br>YQXF 系列液力传动变速箱 (绍兴)<br>YQXF Series Hydrodynamic Transmission Gearbox (SHAOXIN) |                |                   |           |                                 | 原物料码<br>Original Part No |
|---|--|----------------|-------------------|-----------|---------------------------------|--------------------------|
|   | 序号<br>Item   | 物料码<br>Part No | 名称<br>Description | 数量<br>Qty | 备注或适用车型<br>Remarks or Serial No |                          |
|   | 15   | 810110001206   | 螺栓 M8×18          | 2         |                                 | GB5783-86-M8×18          |
|   | 16   | 810110001207   | 平垫圈 8             | 2         |                                 | GB97.1-82-8              |
|   |  |                |                   |           |                                 |                          |
|   |  |                |                   |           |                                 |                          |
|   |  |                |                   |           |                                 |                          |
|   |  |                |                   |           |                                 |                          |
|   |  |                |                   |           |                                 |                          |

|  |  |  |  |  |  |
|--|--|--|--|--|--|
|  |  |  |  |  |  |
|  |  |  |  |  |  |
|  |  |  |  |  |  |
|  |  |  |  |  |  |
|  |  |  |  |  |  |
|  |  |  |  |  |  |
|  |  |  |  |  |  |
|  |  |  |  |  |  |

| 图 32 变速箱 (其 3)<br>Fig. 32 Transmission (part-3) | 1.0-3.5t<br>YQXF 系列液力传动变速箱 (绍兴)<br>YQXF Series Hydrodynamic Transmission Gearbox (SHAOXIN) |                |                   |           |                                 | 原物料码<br>Original Part No |
|---|--|----------------|-------------------|-----------|---------------------------------|--------------------------|
|   | 序号<br>Item   | 物料码<br>Part No | 名称<br>Description | 数量<br>Qty | 备注或适用车型<br>Remarks or Serial No |                          |
|   | 1  | 810110001208   | 输入轴组件             | 1         |                                 | YQXF30-1100              |
|   | 2  | 810110001209   | 内摩擦片              | 10        | 1.0-1.8t 数量 8                   | YQXF30-1200              |
|   | 3  | 810110001210   | 隔片                | 8         | 1.0-1.8t 数量 6                   | YQXF30-1007              |
|   | 4  | 810110001211   | 离合器齿轮             | 2         |                                 | YQXF30-1001              |
|   | 5  | 810110000102   | 卡簧                | 2         |                                 | YQX30-1014               |
|   | 6  | 810110001213   | 活塞组件              | 2         |                                 | YQXF30-1300              |

|  |    |              |           |    |  |               |
|--|----|--------------|-----------|----|--|---------------|
|  | 7  | 810110001214 | 活塞环       | 2  |  | YQXF30-1009   |
|  | 8  | 810110001215 | 密封环       | 2  |  | YQS30-1002    |
|  | 9  | 810110001216 | 弹簧        | 2  |  | YQXF30-1005   |
|  | 10 | 810110001217 | 弹簧座       | 2  |  | YQXF30-1004   |
|  | 11 | 810110001218 | 轴用挡圈      | 2  |  | YQXF30-1003   |
|  | 12 | 810110001219 | 轴承        | 2  |  | GB276-6006    |
|  | 13 | 810110001220 | 轴承        | 1  |  | GB276-6006RZ  |
|  | 14 | 810110001221 | 孔用弹性挡圈 55 | 10 |  | GB893.1-86-55 |
|  | 15 | 810110001222 | 隔圈        | 8  |  | YQXF30-1002   |

| 图 32 变速箱 (其 3)<br>Fig. 32 Transmission (part-3) | 1.0-3.5t<br>YQXF 系列液力传动变速箱 (绍兴)<br>YQXF Series Hydrodynamic Transmission Gearbox (SHAOXIN) |                |                   |           |                                 |                          |
|---|--|----------------|-------------------|-----------|---------------------------------|--------------------------|
|   | 序号<br>Item   | 物料码<br>Part No | 名称<br>Description | 数量<br>Qty | 备注或适用车型<br>Remarks or Serial No | 原物料码<br>Original Part No |
|   | 16   | 810110001223   | 轴承                | 2         |                                 | GB276-6206               |
|   | 17   | 810110001224   | 轴承                | 2         |                                 | GB276-6306               |
|   | 18   | 810110000092   | 密封环 (A)           | 2         |                                 | YQX30-1006               |
|   | 19   | 810110001227   | 中间轴组件             | 2         |                                 | YQXF30-1006              |
|   | 20   | 810110001227   | 端板                | 2         |                                 | YQXF30-1006              |

|  |    |              |           |   |          |                  |
|--|----|--------------|-----------|---|----------|------------------|
|  | 21 | 810110001228 | 碟形板       | 2 | 1.0-1.8t | YQXF15-1002      |
|  | 22 | 810110001229 | 垫板        | 2 |          | YQXF30-1008      |
|  | 23 | 810110001230 | 输出齿轮      | 2 |          | YQXF30-0001      |
|  | 24 | 810110000251 | 轴承 6306   | 2 |          | GB276-94-6306    |
|  | 25 | 810110001232 | 轴承 6307   | 1 |          | GB276-94-6307    |
|  | 26 | 810110001233 | 输出法兰油封    | 1 |          | YQXF30-0400      |
|  | 27 | 810110001235 | 输出法兰      | 1 |          | YQXF30L-0301     |
|  | 28 | 810110001236 | 防尘罩       | 1 |          | YQXF30-0302      |
|  | 29 | 810110001237 | 垫圈        | 1 |          | YQXF30-0002      |
|  | 30 | 810110001238 | 螺栓 M12×95 | 1 |          | GB5782-86-M12×95 |

| 图 32 变速箱 (其 3)<br>Fig. 32 Transmission (part-3) | 1.0-3.5t<br>YQXF 系列液力传动变速箱 (绍兴)<br>YQXF Series Hydrodynamic Transmission Gearbox (SHAOXIN) |                |                   |           |                                 |                          |
|---|--|----------------|-------------------|-----------|---------------------------------|--------------------------|
|   | 序号<br>Item   | 物料码<br>Part No | 名称<br>Description | 数量<br>Qty | 备注或适用车型<br>Remarks or Serial No | 原物料码<br>Original Part No |
|   | 31   | 810110001239   | 联轴器总成             | 1         |                                 | YQXF30-7000              |
|   | 32   | 810110001240   | 螺栓                | 8         |                                 | YQXF30-0005              |
|   | 33   | 810110000034   | 弹簧垫圈 10           | 8         |                                 | GB93-87-10               |
|   | 34   | 810110001242   | 支座组件              | 1         |                                 | YQXF30-2070              |

|  |    |              |              |   |          |                    |
|--|----|--------------|--------------|---|----------|--------------------|
|  | 34 | 810110001243 | 固定架          | 1 |          | YQXF30-2003        |
|  | 35 | 810110001244 | 螺栓           | 2 |          | YQXF30-2002        |
|  | 36 | 810110001245 | 螺栓           | 4 |          | YQXF30-0105        |
|  | 37 | 810110001246 | 平垫圈 12       | 4 |          | GB97.1-85-12       |
|  | 38 | 810110001247 | 支架           | 1 |          | YQXF30-0103        |
|  | 39 | 810110001249 | 垫圈 12        | 2 |          | GB97-85-12         |
|  | 40 | 810110001250 | 六角锁紧螺母       | 2 |          | GB6185-85-M12×1.25 |
|  | 41 | 810110001251 | 输入轴总成(输入离合器) | 1 | 1.0-1.8t | YQXF15-1000        |
|  | 41 | 810110001252 | 输入轴总成(输入离合器) | 1 | 2.0-3.5t | YQXF30-1000        |
|  | 42 | 810110001253 | 中间轴总成(中间离合器) | 1 | 1.0-1.8t | YQXF15-5000        |
|  | 42 | 810110001254 | 中间轴总成(中间离合器) | 1 | 2.0-3.5t | YQXF30-5000        |

|   |  |                |                   |           |                                 |                          |
|---|--|----------------|-------------------|-----------|---------------------------------|--------------------------|
| 图 33 电磁控制操纵阀<br>Fig. 33 Electro-hydraulic operating valve | 1.0-3.5t<br>YQXF 系列液力传动变速箱 (绍兴)<br>YQXF Series Hydrodynamic Transmission Gearbox (SHAOXIN) |                |                   |           |                                 |                          |
|   | 序号<br>Item   | 物料码<br>Part No | 名称<br>Description | 数量<br>Qty | 备注或适用车型<br>Remarks or Serial No | 原物料码<br>Original Part No |
|   | 1  | 810110001255   | 阀体                | 1         |                                 | YQXF30-4101              |
|   | 2  | 810110001256   | 微动阀芯              | 1         |                                 | YQXF30-4102              |
|   | 3  | 810110001257   | 阀套                | 1         |                                 | YQXF30-4103              |

|  |    |              |            |   |  |               |
|--|----|--------------|------------|---|--|---------------|
|  | 4  | 810110001258 | 定位弹簧       | 1 |  | YQXF30-4104   |
|  | 5  | 810110001259 | 弹簧座        | 1 |  | YQXF30-4105   |
|  | 6  | 810110001260 | 弹性圆柱销 3×16 | 1 |  | GB879-86-3×16 |
|  | 7  | 810110001261 | 复位弹簧       | 1 |  | YQXF30-4106   |
|  | 8  | 810110001262 | 调节阀芯       | 1 |  | YQXF30-4107   |
|  | 9  | 810110001263 | 调节阀内簧      | 1 |  | YQXF30-4109   |
|  | 10 | 810110001264 | 调节阀外簧      | 1 |  | YQXF30-4108   |
|  | 11 | 810110001265 | 限位销        | 1 |  | YQXF30-4111   |
|  | 12 | 810110001266 | 盖板         | 1 |  | YQXF30-4112   |
|  | 13 | 810110001267 | 密封垫        | 1 |  | YQXF30-4113   |
|  | 14 | 810110001268 | 螺栓 M6×16   | 6 |  | GB82-86-M6×16 |
|  | 15 | 810110001269 | 柱塞         | 1 |  | YQXF30-4115   |

|  |   |              |                |                   |           |                                 |                          |
|--|---|--------------|----------------|-------------------|-----------|---------------------------------|--------------------------|
|  | <b>1.0-3.5t</b><br><b>YQXF 系列液力传动变速箱 (绍兴)</b><br><b>YQXF Series Hydrodynamic Transmission Gearbox (SHAOXIN)</b> |              |                |                   |           |                                 |                          |
|  | 图 33 电磁控制操纵阀<br>Fig. 33 Electro-hydraulic operating valve   | 序号<br>Item   | 物料码<br>Part No | 名称<br>Description | 数量<br>Qty | 备注或适用车型<br>Remarks or Serial No | 原物料码<br>Original Part No |
|  |   | 16           | 810110001270   | 螺塞 M10×1          | 4         |                                 | YQXF30-4116              |
|  | 17  | 810110001271 | 密封垫 10×16×1    | 4                 |           | Q20-03-10×16×1                  |                          |



|  |    |              |               |   |  |                  |
|--|----|--------------|---------------|---|--|------------------|
|  | 18 | 810110001272 | 阻尼塞           | 1 |  | YQXF30-4114      |
|  | 19 | 810110001273 | 骨架油封 10×22×7  | 1 |  | YQXF30-4140      |
|  | 20 | 810110001274 | 电磁换向阀, 三线插头   | 1 |  | YQXF30H-4200     |
|  |    |              |               |   |  |                  |
|  | 21 | 810110000686 | 内六角螺钉 M5×45   | 4 |  | GB70-85-M5×45    |
|  | 22 | 810110000150 | 螺栓 M8×35      | 2 |  | GB5783-86-M8×35  |
|  | 23 | 810110001278 | 螺栓 M8×60      | 5 |  | GB5782-86-M8×60  |
|  | 24 | 810110001187 | 平垫圈 8         | 7 |  | GB97-85-8        |
|  | 25 | 810110001579 | 密封垫           | 1 |  | YQXF30-0004A     |
|  | 26 | 810110001281 | 包边滤片          | 1 |  | YQXF30-4150      |
|  | 27 | 810110001282 | O 型密封圈 12×1.9 | 1 |  | GB1235-76-12×1.9 |
|  | 28 | 810110001580 | 操纵阀总成         | 1 |  | YQXF30A-4100     |

|                                     |  |                |                   |           |                                 |                          |  |
|-------------------------------------|--|----------------|-------------------|-----------|---------------------------------|--------------------------|--|
| 图 34 减速器总成<br>Fig.34 Reduction assy | 1.0-3.5t<br>YQXF 系列液力传动变速箱 (绍兴)<br>YQXF Series Hydrodynamic Transmission Gearbox (SHAOXIN) |                |                   |           |                                 |                          |  |
|                                     | 序号<br>Item   | 物料码<br>Part No | 名称<br>Description | 数量<br>Qty | 备注或适用车型<br>Remarks or Serial No | 原物料码<br>Original Part No |  |
|                                     | 1  | 810110001284   | 差速器座              | 1         | 1.0-1.8t 1,2 成对购买               | YQXF15-2201              |  |

|  |    |              |              |    |                     |                  |
|--|----|--------------|--------------|----|---------------------|------------------|
|  | 1  | 810110001285 | 差速器座         | 1  | 2.0-2.5t 1,2 成对购买   | YQXF20-2201      |
|  | 1  | 810110001286 | 差速器座         | 1  | 3.0-3.5t 1,2 成对购买   | YQXF30-2201      |
|  | 2  | 810110001287 | 轴承座          | 2  | 1、2成对购买             | YQXF30-2202      |
|  | 3  | 810110001288 | 螺栓           | 4  |                     | YQXF30-2203      |
|  | 4  | 810110001289 | 轴承座          | 1  | 3-3.5 t             | YQXF30-2041      |
|  | 5  | 810110001290 | 螺栓           | 3  | 3-3.5 t             | YQXF30-2110      |
|  | 6  | 810110001291 | 螺栓           | 5  | 3-3.5 t             | YQXF30-2109      |
|  | 7  | 810110001292 | 差速器盖         | 1  |                     | YQXF30-2001      |
|  | 8  | 810110001293 | 螺栓 M10×55    | 2  |                     | GB5782-86-M10×55 |
|  | 9  | 810110001294 | 螺栓 M10×70    | 8  |                     | GB5782-86-M10×70 |
|  | 10 | 810110000034 | 垫片 10        | 10 |                     | GB93-87-10       |
|  | 11 | 810110001296 | 内螺纹圆柱销 12×28 | 2  |                     | GB120-86-12×28   |
|  | 12 | 810110001297 | 主动齿轮         | 1  | 1.0-1.8t 12,19 成对购买 | YQXF15-2031      |
|  | 12 | 810110001298 | 主动齿轮         | 1  | 2.0-3.5t 12,19 成对购买 | YQXF30-2031      |

|                                     |  |                |                   |           |                                 |                          |  |
|-------------------------------------|--|----------------|-------------------|-----------|---------------------------------|--------------------------|--|
| 图 34 减速器总成<br>Fig.34 Reduction assy | 1.0-3.5t<br>YQXF 系列液力传动变速箱 (绍兴)<br>YQXF Series Hydrodynamic Transmission Gearbox (SHAOXIN) |                |                   |           |                                 |                          |  |
|                                     | 序号<br>Item   | 物料码<br>Part No | 名称<br>Description | 数量<br>Qty | 备注或适用车型<br>Remarks or Serial No | 原物料码<br>Original Part No |  |

|  |    |              |          |    |                     |                |
|--|----|--------------|----------|----|---------------------|----------------|
|  | 13 | 810110001299 | 油封       | 1  |                     | YQXF30-2050    |
|  | 14 | 810110000841 | 轴承 6210  | 1  |                     | GB276-94-6210  |
|  | 15 | 810110000198 | 轴承 6211  | 1  |                     | GB276-94-6211  |
|  | 16 | 810110001302 | 锁紧螺母     | 1  |                     | YQXF30-2008    |
|  | 17 | 810110001303 | 端盖       | 1  |                     | YQXF30-2011    |
|  | 18 | 810110001187 | 垫片 8     | 4  |                     | GB97-85-8      |
|  | 19 | 810110001305 | 从动齿轮     | 1  | 1.0-1.8t 12,19 成对购买 | YQXF15-2003    |
|  | 19 | 810110001306 | 从动齿轮     | 1  | 2.0-3.5t 12,19 成对购买 | YQXF30-2005    |
|  | 20 | 810110001307 | 轴承 30310 | 1  |                     | GB297-94 30310 |
|  | 21 | 810110001308 | 轴承 30309 | 1  |                     | GB297-94 30309 |
|  | 22 | 810110001309 | 调整垫      | 按需 |                     | YQXF30-2006    |
|  | 23 | 810110001310 | 调整垫      | 按需 |                     | YQXF30-2007    |
|  | 24 | 810110001311 | 差速器壳-左   | 1  | 1.0-1.8t 24,25 成对购买 | YQXF15-2111    |
|  | 24 | 810110001312 | 差速器壳-左   | 1  | 2.0-2.5t 24,25 成对购买 | YQXF20-2111    |
|  | 24 | 810110001313 | 差速器壳-左   | 1  | 3.0-3.5t 24,25 成对购买 | YQXF30-2111    |

|                                     |  |  |
|-------------------------------------|--|--|
| 图 34 减速器总成<br>Fig.34 Reduction assy | 1.0-3.5t<br>YQXF 系列液力传动变速箱 (绍兴)<br>YQXF Series Hydrodynamic Transmission Gearbox (SHAOXIN) |  |
|-------------------------------------|--|--|

| 序号<br>Item | 物料码<br>Part No | 名称<br>Description | 数量<br>Qty | 备注或适用车型<br>Remarks or Serial No | 原物料码<br>Original Part No |
|------------|----------------|-------------------|-----------|---------------------------------|--------------------------|
| 25         | 810110001314   | 差速器壳-右            | 1         | 1.0-2.5t 24,25 成对购买             | YQXF20-2112              |
| 25         | 810110001315   | 差速器壳-右            | 1         | 3.0-3.5t 24,25 成对购买             | YQXF30-2112              |
| 26         | 810110001316   | 螺栓                | 16        |                                 | YQXF30-2108              |
| 27         | 810110001317   | 十字轴               | 1         | 1.0-2.5t                        | YQXF20-2107              |
| 27         | 810110001318   | 十字轴               | 1         | 3.0-3.5t                        | YQXF30-2107              |
| 28         | 810110001319   | 半轴齿轮              | 2         | 1.0-2.5t                        | YQXF20-2101              |
| 28         | 810110001320   | 半轴齿轮              | 2         | 3.0-3.5t                        | YQXF30-2101              |
| 29         | 810110001321   | 垫圈                | 2         | 1.0-2.5t                        | YQXF20-2105              |
| 29         | 810110001322   | 垫圈                | 2         | 3.0-3.5t                        | YQXF30-2105              |
| 30         | 810110001323   | 行星齿轮              | 4         | 1.0-2.5t                        | YQXF20-2106              |
| 30         | 810110001324   | 行星齿轮              | 4         | 3.0-3.5t                        | YQXF30-2106              |
| 31         | 810110001325   | 止推垫圈              | 4         | 1.0-2.5t                        | YQXF20-2104              |
| 31         | 810110001326   | 止推垫圈              | 4         | 3.0-3.5t                        | YQXF30-2104              |
| 32         | 810110001327   | 从动螺旋伞齿轮           | 1         | 1.0-1.8t 32,33 成对购买             | YQXF15-2101              |
| 32         | 810110001328   | 从动螺旋伞齿轮           | 1         | 2.0-2.5t 32,33 成对购买             | YQXF20-2103              |

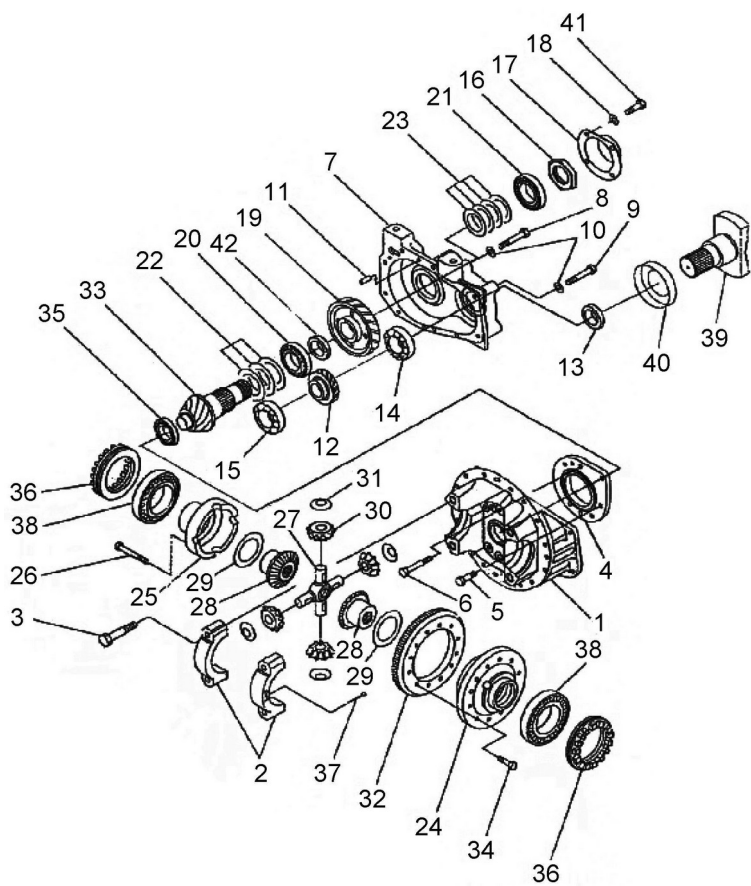
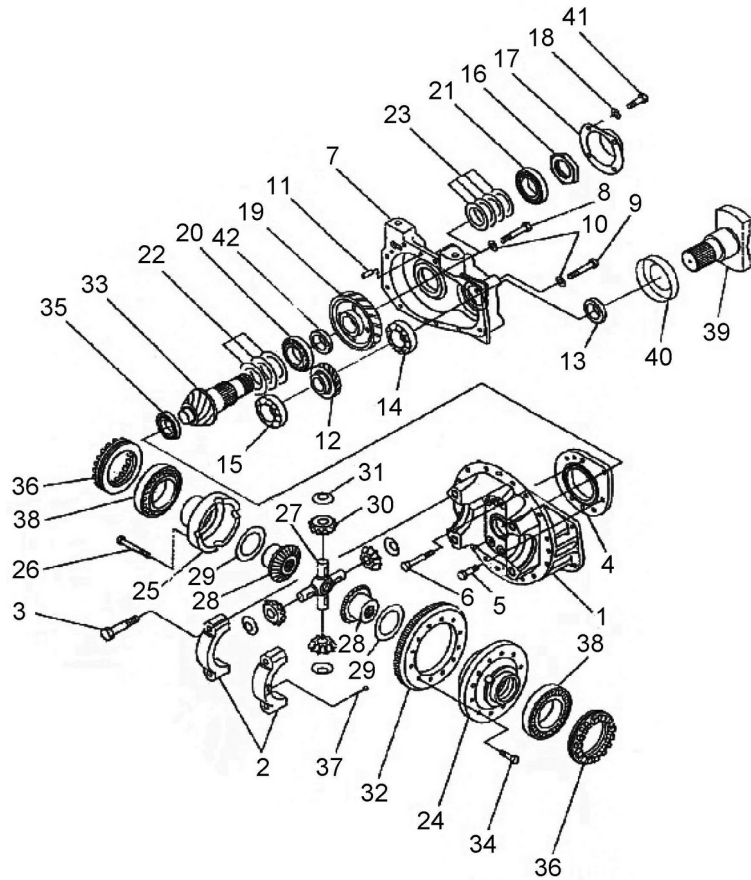


图 34 减速器总成  
Fig.34 Reduction assy

1.0-3.5t  
YQXF 系列液力传动变速箱 (绍兴)  
YQXF Series Hydrodynamic Transmission Gearbox (SHAOXIN)

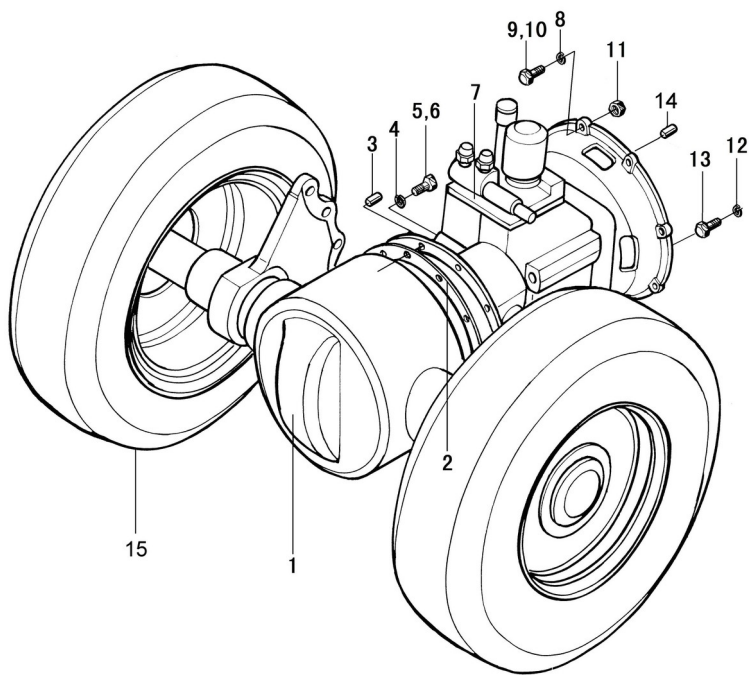


| 序号<br>Item | 物料码<br>Part No | 名称<br>Description | 数量<br>Qty | 备注或适用车型<br>Remarks or Serial No | 原物料码<br>Original Part No |
|------------|----------------|-------------------|-----------|---------------------------------|--------------------------|
| 32         | 810110001329   | 从动螺旋伞齿轮           | 1         | 3.0-3.5t 32,33 成对购买             | YQXF30-2103              |
| 33         | 810110001330   | 主动螺旋伞齿轮           | 1         | 1.0-1.8t 32,33 成对购买             | YQXF15-2001              |
| 33         | 810110001331   | 主动螺旋伞齿轮           | 1         | 2.0-2.5t 32,33 成对购买             | YQXF20-2001              |
| 33         | 810110001332   | 主动螺旋伞齿轮           | 1         | 3.0-3.5t 32,33 成对购买             | YQXF30-2061              |
| 34         | 810110001333   | 螺栓                | 12        |                                 | YQXF30-2102              |
| 35         | 810110001334   | 轴承 NUP2205E       | 1         | 3-3.5 t                         | GB283-94-NUP2205E        |
| 36         | 810110001335   | 调整螺母              | 2         |                                 | YQXF30-2004              |
| 37         | 810110001336   | 开口销 8×50          | 2         |                                 | GB91-86-8×50             |
| 38         | 810110001337   | 轴承 302015         | 2         |                                 | GB297-94-302015          |
| 39         | 810110001338   | 输入法兰              | 1         |                                 | YQXF30-2021              |
| 40         | 810110001339   | 防尘罩               | 1         |                                 | YQXF30-2022              |
| 41         | 810110000062   | 螺栓 M8×20          | 4         |                                 | GB5783-86-M8×20          |
| 42         | 810110001341   | 衬套                | 1         | 1.0-1.8t                        | YQXF15-2002              |
| 42         | 810110001342   | 衬套                | 1         | 2.0-3.5t                        | YQXF20-2002              |
|            |                |                   |           |                                 |                          |

| 变速箱密封 (修理) 工具包<br>Transmission repair kits |                 | 1.0-3.5t YQXF 系列液力传动变速箱 (绍兴)<br>1.0-3.5t YQXF Series Hydrodynamic Transmission Gearbox (SHAOXIN) |            |                                  |                     |
|--|-----------------|--|------------|----------------------------------|---------------------|
| 序号<br>Item No.                             | 物料码<br>Part No. | 名称<br>Description  | 数量<br>Qty. | 备注或适用车型<br>Remarks Or Serial No. |                     |
| 1  | 810110001156    | 油封<br>Oil Seal   | 1          | 图 30 变速箱 (其 1) (序号 7)            | TC 42×60×9          |
| 2  | 810110001159    | O 型圈<br>O-ring   | 1          | 图 30 变速箱 (其 1) (序号 10)           | YQXF30-0003         |
| 3  | 810110001161    | 密封环<br>Sealing ring  | 1          | 图 30 变速箱 (其 1) (序号 12)           | YQXF30-3102         |
| 4  | 810110001170    | 密封环<br>Sealing ring  | 1          | 图 30 变速箱 (其 1) (序号 21)           | YQXF30-0203         |
| 5  | 810110001172    | 油滤座纸垫<br>Strainer seat paper pad   | 1          | 图 30 变速箱 (其 1) (序号 23)           | YQXF30-0205         |
| 6  | 810110001173    | 粗滤器组件<br>Strainer assembly   | 1          | 图 30 变速箱 (其 1) (序号 24)           | YQXF30-0240         |
| 7  | 81011000134     | 滤油器(II)<br>Strainer (II)   | 1          | 图 30 变速箱 (其 1) (序号 31)           | YQX30-0300          |
| 8  | 810110001350    | O 型圈 21×3<br>O-ring 21×3   | 1          | 图 30 变速箱 (其 1) (序号 35)           | GB3452.1-82-21×3    |
| 9  | 810110001351    | O 型圈 16×2.65<br>O-ring 16×2.65   | 2          | 图 30 变速箱 (其 2) (序号 12)           | GB3452.1-82-16×2.65 |
| 10   | 810110001214    | 活塞环<br>Piston ring   | 2          | 图 32 变速箱 (其 3) (序号 7)            | YQXF30-1009         |
| 11   | 810110001215    | 密封环<br>Sealing ring  | 2          | 图 32 变速箱 (其 3) (序号 8)            | YQS30-1002          |
| 12   | 810110000092    | 密封环(A)<br>Sealing ring (A)   | 5          | 图 32 变速箱 (其 3) (序号 18)           | YQX30-1006          |
| 13   | 810110001233    | 输出法兰油封<br>Output flange oil seal   | 1          | 图 32 变速箱 (其 3) (序号 26)           | YQXF30-0400         |
| 14   | 810110001280    | 密封垫<br>Sealing pad   | 1          | 图 33 电磁控制操纵阀 (序号 25)             | YQXF30-0004         |
| 15   | 810110001282    | O 型圈 12×1.9<br>O-ring 12×1.9   | 1          | 图 33 电磁控制操纵阀 (序号 27)             | GB1235-76-12×1.9    |
| 16   | 810110001299    | 油封<br>Oil Seal   | 1          | 图 34 减速器总成 (序号 13)               | YQXF30-2050         |

图 35 传动系统  
Fig. 35 Driving system

CPCD30/35/38-XRW73



| 序号<br>Item | 物料码<br>Part No   | 名称<br>Description | 数量<br>Qty | 备注或适用车型<br>Remarks or Serial No | 原物料码<br>Original Part No |
|------------|------------------|-------------------|-----------|---------------------------------|--------------------------|
| 1          | 见图 11 See Fig.11 | 驱动桥总成             | 1         |                                 |                          |
| 2          | 810120000147     | 1598H 密封胶         | 1         |                                 | 159895                   |
| 3          | 300050100009     | 销 B10×25          | 1         |                                 | G000120-010025-01        |
| 4          | 300030010003     | 垫圈 14             | 12        |                                 | G000093-000014-00        |
| 5          | 300010040037     | 螺栓 M12×40         | 10        |                                 | G005783-012040-00        |
| 6          | 300010040033     | 螺栓 M12×30         | 2         |                                 | G005783-012030-00        |
| 7          | 201200000337     | 液力变速箱 XYQXD25     | 1         |                                 | XR261-120000-G00         |
| 8          | 300030010001     | 垫圈 10             | 8         |                                 | G000093-000010-00        |
| 9          | 300010060011     | 螺栓 M10×1.25×35    | 7         |                                 | G005786-010035-00        |
| 10         | 300010030015     | 螺栓 M10×50         | 1         |                                 | G005782-010050-00        |
| 11         | 300020010006     | 螺母 M10            | 1         |                                 | G006170-000010-00        |
| 12         | 300030010015     | 垫圈 8              | 12        |                                 | G000093-000008-00        |
| 13         | 300010040173     | 螺栓 M8×20          | 12        |                                 | G005783-008020-00        |
| 15         | 见图 1 See Fig.1   | 前轮总成(单轮)          | 2         |                                 |                          |

|  |    |                |                |   |  |  |
|--|----|----------------|----------------|---|--|--|
|  | 15 | 见图 2 See Fig.2 | 内前轮总成(双轮)Inner | 2 |  |  |
|--|----|----------------|----------------|---|--|--|

|                                     |            |                    |                   |           |                                 |                          |
|-------------------------------------|------------|--------------------|-------------------|-----------|---------------------------------|--------------------------|
| 图 35 传动系统<br>Fig. 35 Driving system |            | CPCD30/35/38-XRW73 |                   |           |                                 |                          |
|                                     | 序号<br>Item | 物料码<br>Part No     | 名称<br>Description | 数量<br>Qty | 备注或适用车型<br>Remarks or Serial No | 原物料码<br>Original Part No |
|                                     | 15         | 见图 2 See Fig.2     | 外前轮总成(双轮)Outer    | 2         |                                 |                          |
|                                     |            |                    |                   |           |                                 |                          |
|                                     |            |                    |                   |           |                                 |                          |
|                                     |            |                    |                   |           |                                 |                          |
|                                     |            |                    |                   |           |                                 |                          |
|                                     |            |                    |                   |           |                                 |                          |
|                                     |            |                    |                   |           |                                 |                          |
|                                     |            |                    |                   |           |                                 |                          |
|                                     |            |                    |                   |           |                                 |                          |
|                                     |            |                    |                   |           |                                 |                          |
|                                     |            |                    |                   |           |                                 |                          |
|                                     |            |                    |                   |           |                                 |                          |



|  |  |  |  |  |  |
|--|--|--|--|--|--|
|  |  |  |  |  |  |
|  |  |  |  |  |  |

| 图 36 冷却油管总成<br>Fig.36 Cooling oil pipe assy |            | CPCD30/35/38-XRW73 |                   |           |                                 |                          |
|---|------------|--------------------|-------------------|-----------|---------------------------------|--------------------------|
|   | 序号<br>Item | 物料码<br>Part No     | 名称<br>Description | 数量<br>Qty | 备注或适用车型<br>Remarks or Serial No | 原物料码<br>Original Part No |
|   | A1         | 201600000002       | 冷却油管总成            | 1         |                                 | N160-110000-000          |
|   | 1          | 209990000879       | 蜗杆传动式软管环箍 25      | 4         |                                 | Q675-25-G00              |
|   | 2          | 300010040165       | 螺栓 M8×12          | 4         |                                 | G005783-008012-00        |
|   | 3          | 300030010015       | 垫圈 8              | 4         |                                 | G000093-000008-00        |
|   | 4          | 310040010149       | 抱箍                | 4         |                                 | N160-110002-000          |
|   | 5          | 209990004246       | 胶管 L=2250         | 2         |                                 | A260-110001-W00          |
|   | 6          | 201600010003       | 铰接螺栓              | 2         |                                 | N040-110001-000          |
|   | 7          | 300030140003       | 垫圈 14             | 2         |                                 | J000982-000014-00        |
|   | 8          | 310050080012       | 回油管接头             | 2         |                                 | N160-110001-000          |
|   | 9          | 300030040014       | 垫圈 8              | 4         |                                 | G0097P1-000008-00        |
|   |            |                    |                   |           |                                 |                          |
|   |            |                    |                   |           |                                 |                          |

|  |  |  |  |  |  |
|--|--|--|--|--|--|
|  |  |  |  |  |  |
|  |  |  |  |  |  |
|  |  |  |  |  |  |