



4.0t-小 5t R 系列内燃平衡重式叉车
4.0t-5t R Series Internal Combustion Counterbalanced Forklift Truck

零件目录
PARTS CATALOG

03/2014



杭叉集团股份有限公司
HANGCHA GROUP CO., LTD.

全国客服热线：400-884-7888

- 地址：中国浙江临安经济开发区东环路 88 号
- 电话：0571-88926666（总机号）85191117
- 传真：0571-85131772 ■ 邮编：311305
- 网站：<http://www.zjhc.cn> ■ 电子邮件：sales@zjhc.cn

■ Address For: OVERSEAS USERS

- Address: 88 Donghuan Road, Lin'an Economic Development Zone, Zhejiang, China
- Fax: 0086-571-88926789 0086-571-88132890 ■ ZIP:311305
- Web: <http://www.hcforklift.com> ■ E-mail: sales@hcforklift.com

说 明

- 1、本“零件目录”汇集了4—小5t R系列各种叉车的零部件。
- 2、查询方法：
 - ①用户可根据目录中各总成图查找所需的零部件的序号，根据序号可查得相应的图号或标准号。
 - ②本目录中凡各种叉车通用的零件在目录中不加说明，不通用件除了在目录的右上角表示此总成所适用的车型代号和车型外，还在相应的备注中予以车型代号区别。
- 3、订购零件时，须写明所用叉车的型号，出厂编号，所需零部件代号、名称及订购数量。
- 4、维修更换零部件时，为确保质量，请使用本公司零部件。
- 5、为提高质量，本公司将对某些零部件进行改进，对改进部分在本目录中不能同时一一修改，请用户谅解，欲了解详细情况可与本公司销售公司及配件处联系。
- 6、-X集装箱叉车除起升组件（即门架）不同外，其余完全通用。
- 7、门架另见《4t-5t R系列内燃平衡重式叉车 门架零件目录》。
- 8、零件变更注明了时间，如“≤2005-07”表示该零件用至2005年7月，“≥2005-08”表示该零件从2005年8月启用。
- 9、型号含义。

INFORMATION

- I. This catalogue collects all of the parts (components) in series of 4-5 ton R fork lift trucks.
- II. Looking up methods:
 - ① First looking up the series number of the part (component) in the drawings of the assembly, in which the part (component) is in the catalogue and then the codes of the drawing and standard of the part (the component) in terms of the series number.
 - ② No noted are all of the same parts and components otherwise they should be noted in case of difference.
- III. Model, series Number, code Number of drawing and quantity should be given when ordering the spare parts.
- IV. It is recommended to use the parts and components made by us for ideal the service and maintenance.
- V. We reserve the right of the change of the truck in construction for improving our products without notice. For the details of changes, please consult with sales department of HANGCHA GROUP CO., LTD.
- VI. Container fork lift truck and CP series truck is same except of the lifting system.
- VII. Mast parts catalogue see 《4t-5t R Series Internal Combustion Counterbalanced Forklift Truck **mast parts catalog**》.
- VIII. Clear indications of time are given about the accessories' change, e.g., “≤2005-07” means this accessory was used until 2005-07; “≥2005-08” means this accessory is used from 2005-08 on..
- IX. Type explanation

型 号	发 动 机	主 传 动	额定起重量(t)/载荷中心距(mm)
Ⓐ CPCD40/45-RG24	LR4108柴油机(原) LR4B3-22柴油机(新)	YQX45 II HE, YQXD45 II HE 液力传动变速箱	4/500,4.5/500,5/500
Ⓑ CPCD50-RXG24		机械变速箱	5/500
Ⓓ CPC50-RXG24	A498BPG-504柴油机	机械变速箱	4/500,4.5/500
Ⓔ CPCD40/45-RW5	康明斯 B3.3T 柴油机	YQX45 II HC, YQXD45 II HC 液力传动变速箱	4/500,4.5/500,5/500
Ⓕ CPCD50-RXW5			
Ⓖ CPYD40/45-RW17	GM 4.3L 单燃料发动机	YQX45 II HG 液力传动变速箱	4/500,4.5/500,5/500
Ⓗ CPYD50-RXW17			
Ⓘ CPCD40/45-RW19	TD42AA (日产)柴油机	YQX45 II HA, YQXD45 II HA 液力传动变速箱	4/500,4.5/500,5/500
Ⓙ CPCD50-RXW19			
Ⓚ CPQYD40/45-RW57	GM 4.3L LX 双燃料发动机	YQX45 II HG, YQXD45 II HG12 液力传动变速箱	4/500,4.5/500,5/500
Ⓛ CPQYD50-RXW57			
Ⓚ ₁ CPYD40/45-RW57			
Ⓛ ₁ CPYD50-RXW57			
Ⓞ CPCD40/45-RW35	帕金斯1004D-44柴油机	YQX45 II HG, YQXD45 II HG24 液力传动变速箱	4/500,4.5/500,5/500
Ⓟ CPCD50-RXW35			
Ⓡ CPC45-RG34-S	JD4G5柴油机	机械变速箱	4.5/500
Ⓢ CPYD40/45-RW24	GM 4.3L LP LPG发动机	YQX45 II HG, YQXD45 II HG12 液力传动变速箱	4/500,4.5/500,5/500
Ⓣ CPYD50-RXW24			
Ⓤ CPCD40/45-RG42	YCA100-T20 柴油机	YQX45 II HE, YQXD45 II HE 液力传动变速箱	4/500,4.5/500,5/500
Ⓥ CPCD50-RXG42			
Ⓦ CPC50-RXG42	YCA100-T20 柴油机	机械变速箱	4.5/500
Ⓧ CPC45-RG43-S	4D35J 柴油机	机械变速箱	4.5/500
Ⓨ CPC45-RG42-S	YCA100-T20 柴油机	机械变速箱	4.5/500

© 2014年03月

Model	Engine	Main driving	Rated capacity (t)/ Load centre distance (mm)
Ⓐ CPCD40/45-RG24	LR4108 Diesel engine(Old) LR4B3-22 Diesel engine(New)	YQX45 II HE, YQXD45 II HE	4/500,4.5/500,5/500
Ⓑ CPCD50-RXG24		Hydraulic driving transmission case	
Ⓓ CPC50-RXG24		Mechanical transmission	
Ⓒ CPC40/45-RG31	A498BPG-504 Diesel engine	Mechanical transmission	4/500,4.5/500
Ⓔ CPCD40/45-RW5	B3.3T Diesel engine Cummins	YQX45 II HC, YQXD45 II HC	4/500,4.5/500,5/500
Ⓕ CPCD50-RXW5		Hydraulic driving transmission case	
Ⓖ CPYD40/45-RW17	GM 4.3L single fuel engine	YQX45 II HG	4/500,4.5/500,5/500
Ⓗ CPYD50-RXW17		Hydraulic driving transmission case	
Ⓘ CPCD40/45-RW19	TD42AA Diesel engine (JAPAN·NISSAN)	YQX45 II HA, YQXD45 II HA	4/500,4.5/500,5/500
Ⓙ CPCD50-RXW19		Hydraulic driving transmission case	
Ⓚ CPQYD40/45-RW57	GM 4.3L LX dual fuel engine	YQX45 II HG, YQXD45 II HG12	4/500,4.5/500,5/500
Ⓛ CPQYD50-RXW57			
Ⓜ CPYD40/45-RW57			
Ⓝ CPYD50-RXW57			
Ⓞ CPCD40/45-RW35	1004D-44 Diesel engine	YQX45 II HG, YQXD45 II HG24	4/500,4.5/500,5/500
Ⓟ CPCD50-RXW35		Hydraulic driving transmission case	
Ⓡ CPC45-RG34-S	JD4G5 Diesel engine	Mechanical transmission	4.5/500
Ⓢ CPYD40/45-RW24	GM 4.3L LX LPG engine	YQX45 II HG, YQXD45 II HG12	4/500,4.5/500,5/500
Ⓣ CPYD50-RXW24		Hydraulic driving transmission case	
Ⓤ CPCD40/45-RG42	YCA100-T20 Diesel engine	YQX45 II HE, YQXD45 II HE	4/500,4.5/500,5/500
Ⓡ CPCD50-RXG42		Hydraulic driving transmission case	
Ⓢ CPC50-RXG42	YCA100-T20 Diesel engine	Mechanical transmission	5/500
Ⓣ CPC45-RG43-S	4D35J Diesel engine	Mechanical transmission	4.5/500
Ⓤ CPC45-RG42-S	YCA100-T20 Diesel engine	Mechanical transmission	4.5/500

© 03/2014 HANGCHA GROUP CO., LTD.

目 录 CONTENTS

第一部分	传动系统	PART I	DRIVING SYSTEM.....	1-A
第二部分	转向系统	PART II	STEERING SYSTEM.....	2-A
第三部分	动力系统	PART III	DYNAMIC SYSTEM.....	3-A
第四部分	车身系统	PART IV	BODY SYSTEM.....	4-A
第五部分	操纵系统	PART V	CONTROLLING SYSTEM	5-A
第六部分	液压系统	PART VI	HYDRAULIC SYSTEM	6-A
第七部分	电气系统	PART VII	ELECTRICAL SYSTEM	7-A
第八部分	驾驶室	PART VIII	CAB SYSTEM	8-A

第一部分 传动系统目录

Part I Driving system contents

Ⓐ CPCD40/45-RG24	Ⓑ CPCD50-RXG24	Ⓒ CPC40/45-RG31	Ⓓ CPC50-RXG24
Ⓔ CPCD40/45-RW5	Ⓕ CPCD50-RXW5	Ⓖ CPYD40/45-RW17	Ⓗ CPYD50-RXW17
Ⓙ CPCD50-RXW19	Ⓚ CPQYD40/45-RW57	Ⓛ CPQYD50-RXW57	Ⓜ CPYD40/45-RW57
		Ⓞ CPCD40/45-RW35	Ⓟ CPYD50-RXW57
Ⓢ CPYD40/45-RW24	Ⓣ CPYD50-RXW24	Ⓟ CPCD40/45-RG42	Ⓠ CPCD50-RXW35
Ⓧ CPC45-RG43-S	Ⓨ CPC45-RG42-S	Ⓡ CPCD50-RXG42	Ⓢ CPC45-RG34-S
		Ⓣ CPC50-RXG42	

序号 Item	名称 Description	适用车型 Serial No.	页码 Page
图 1 Fig. 1	传动系统 Driving system	Ⓒ Ⓓ Ⓡ Ⓣ Ⓧ Ⓨ	1-1
图 1-1 Fig. 1-1	离合器 Clutch	Ⓒ Ⓓ Ⓡ Ⓣ Ⓧ Ⓨ	1-3
图 2 Fig. 2	传动系统 II Driving system II	Ⓐ Ⓑ Ⓔ Ⓕ Ⓖ Ⓗ Ⓙ Ⓚ Ⓛ Ⓜ Ⓞ Ⓟ Ⓢ Ⓣ Ⓡ Ⓠ	1-5
图 3 Fig. 3	驱动桥 I Drive axle I	全部车型 All models of truck	1-9
图 4 Fig. 4	前轮 (单轮) Front Wheel (Single)	单轮 Single Tyre	1-14
图 5 Fig. 5	前轮 (双轮) Front Wheel (Double)	双轮 Double Tyre	1-15
图 6 Fig. 6	制动器 <2013-01-01 Wheel brake	全部车型 All models of truck	1-17
图 7 Fig. 7	制动器 ≥2013-01-01 Wheel brake	全部车型 All models of truck	1-20
图 8 Fig. 8	变速箱 (机械式 其 1) 绍兴 Transmission(clutch type Part-1) ShaoXin	4.0-X5t 机械变速箱 Mechanical gear-box	1-23

序号 Item	名称 Description	适用车型 Serial No.	页码 Page
图 9 Fig. 9	变速箱（机械式 其 2）绍兴 Transmission(clutch type Part-2) ShaoXin	4.0-X5t 机械变速箱 Mechanical gear-box	1-24
图 10 Fig. 10	变速箱（机械式 其 3）绍兴 Transmission(clutch type Part-3) ShaoXin	4.0-X5t 机械变速箱 Mechanical gear-box	1-26
图 11 Fig. 11	中间轴总成（绍兴） Middle shaft assy (ShaoXin)	4.0-X5t 机械变速箱 Mechanical gear-box	1-28
图 12 Fig. 12	第二轴总成（绍兴） Second shaft assy (ShaoXin)	4.0-X5t 机械变速箱 Mechanical gear-box	1-30
图 13 Fig. 13	输入轴总成（绍兴） input Shaft assy (ShaoXin)	4.0-X5t 机械变速箱 Mechanical gear-box	1-33
图 14 Fig. 14	上箱盖总成（绍兴） Tank cover assy (ShaoXin)	4.0-X5t 机械变速箱 Mechanical gear-box	1-34
图 15 Fig. 15	换挡器（绍兴） Shift unit (ShaoXin)	4.0-X5t 机械变速箱 Mechanical gear-box	1-36
图 16 Fig. 16	液力变速箱(其 1)（绍兴） Hydrodynamic gear-box(part-1) (ShaoXin)	4.0-X5t 液力变速箱 Hydrodynamic gear-box	1-38
图 17 Fig. 17	液力变速箱(其 2)（绍兴） Hydrodynamic gear-box(part-2) (ShaoXin)	4.0-X5t 液力变速箱 Hydrodynamic gear-box	1-42
图 18-1 Fig. 18-1	控制阀总成（绍兴） Control valve assy (ShaoXin)	4.0-X5t 液力变速箱 Hydrodynamic gear-box (电磁阀换向) (Solenoid valve Commutation)	1-46
图 18-2 Fig. 18-2	控制阀总成（绍兴） Control valve assy (ShaoXin)	4.0-X5t 液力变速箱 Hydrodynamic gear-box (手动换向) (Manual control Commutation)	1-50
图 19 Fig. 19	差速器（绍兴） Differential (ShaoXin)	4.0-X5t 液力变速箱 Hydrodynamic gear-box	1-53
图 20 Fig. 20	双向离合器总成(液力式)（绍兴） Two-way clutch(tor-con type) (ShaoXin)	4.0-X5t 液力变速箱 Hydrodynamic gear-box	1-54
图 21 Fig. 21	单向离合器总成(液力式)（绍兴） One-way clutch(tor-con type) (ShaoXin)	4.0-X5t 液力变速箱 Hydrodynamic gear-box	1-56
图 22 Fig. 22	油泵总成（绍兴） Charging pump (ShaoXin)	4.0-X5t 液力变速箱 Hydrodynamic gear-box	1-58

图 1 传动系统
Fig.1 Driving system

© CPC40/45-RG31
⊗ CPC45-RG43-S

Ⓧ CPC50-RXG24
Ⓨ CPC45-RG42-S

Ⓡ CPC45-RG34-S

Ⓜ CPC50-RXG42

序号 Item	物料码 Part No.	名称 Description	数量 Qty	备注或适用车型 Remarks or Serial No.
1	R411-110000-000	驱动桥 Drive axle	1	
2	H510-103000-000	变速器左支架 Mechanical transmission left bracket	1	
3	G000093-000016-00	垫圈 16 Washer 16	4	
4	G005783-016050-00	螺栓 M16×50 Bolt M16×50	4	
5	JP451-100001-000	垫 Gasket	1	
6	G007244-000012-00	垫圈 12 Washer 12	12	
7	G005783-012035-00	螺栓 M12×35 Bolt M12×35	12	
8	EQ1092F-G00	主减速器 Reduction transmission	1	© Ⓧ Ⓜ
8	EQ1092F-01-G00	主减速器 Reduction transmission	1	Ⓡ ⊗ Ⓨ
9	H510-100001-000	螺栓 Bolt	8	
10	H510-101000-000	传动轴总成 Driving shaft	1	
11	G000093-000014-00	垫圈 14 Washer 14	8	
12	G006184-000014-00	螺母 M14 Nut M14	8	
13	G005783-012030-00	螺栓 M12×30 Bolt M12×30	8	
14	H510-102000-000	变速器右支架 Mechanical transmission right bracket	1	

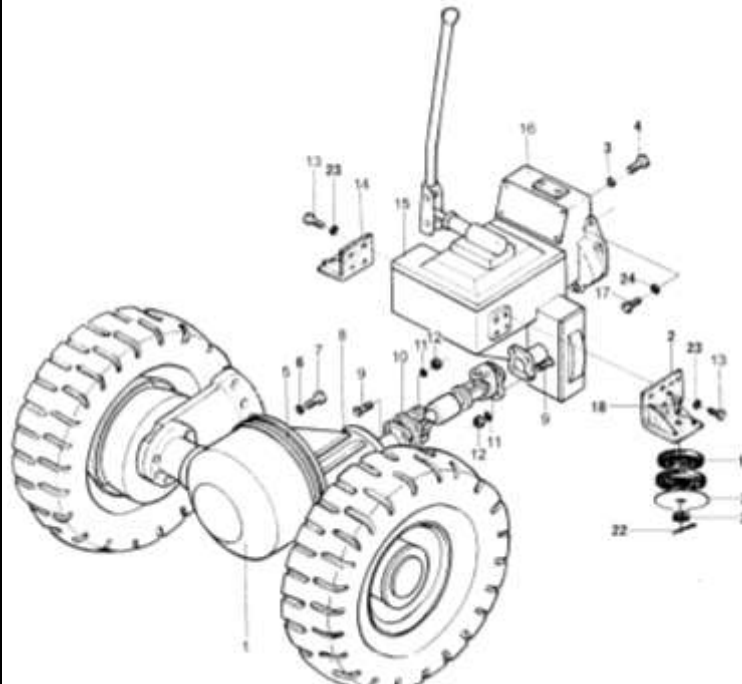


图 1 传动系统
Fig.1 Driving system

© CPC40/45-RG31
⊗ CPC45-RG43-S

Ⓓ CPC50-RXG24
Ⓨ CPC45-RG42-S

Ⓡ CPC45-RG34-S

Ⓜ CPC50-RXG42

序号 Item	物料码 Part No.	名称 Description	数量 Qty	备注或适用车型 Remarks or Serial No.
15	R441-120000-000	变速器 Transmission	1	©
15	R470-120000-000	变速器 Transmission	1	Ⓓ Ⓡ Ⓜ ⊗ ⊙
16	R441-130000-000	离合器 Clutch	1	©
16	R470-130000-000	离合器 Clutch	1	Ⓓ Ⓡ Ⓜ ⊗ ⊙
17	G005783-012040-00	螺栓 M12×40 Bolt	10	©
17	G005783-010035-00	螺栓 M10×35 Bolt	12	Ⓓ Ⓡ Ⓜ ⊗ ⊙
18	H510-100002-000	螺栓 Bolt	2	
19	CB2204-4-G00	减震垫 Anti-vibration pad	2	
20	H510-100003-000	垫片 Gasket	2	
21	G006178-000024-00	螺母 M24 Nut M24	2	
22	G000091-005045-00	销 5×45 Pin 5×45	2	
23	G000093-000012-00	垫圈 12 Washer 12	8	
24	G000093-000012-00	垫圈 12 Washer 12	10	©
24	G000093-000010-00	垫圈 10 Washer 10	12	Ⓓ Ⓡ Ⓜ ⊗ ⊙

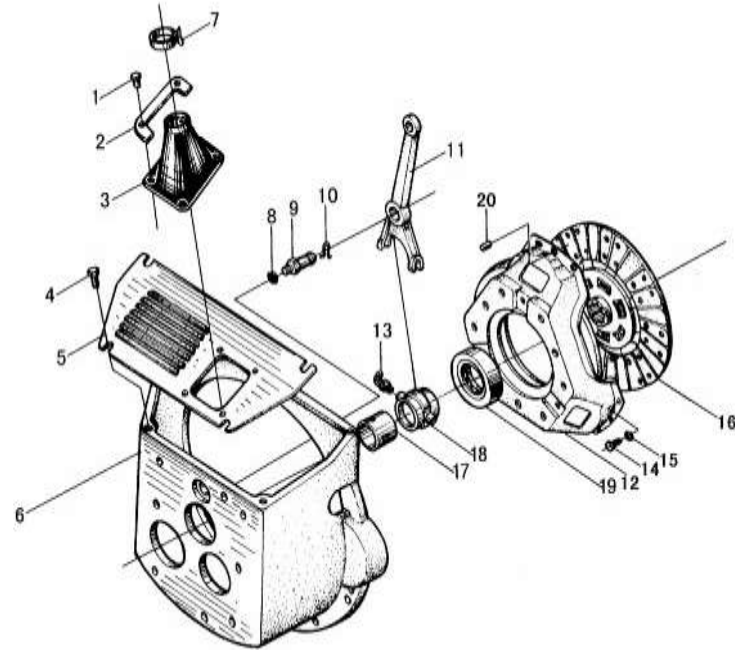
图 1-1 离合器
Fig.1-1 Clutch

© CPC40/45-RG31
⊗ CPC45-RG43-S

Ⓧ CPC50-RXG24
Ⓨ CPC45-RG42-S

Ⓡ CPC45-RG34-S

Ⓜ CPC50-RXG42



序号 Item	物料码 Part No.	名称 Description	数量 Qty	备注或适用车型 Remarks or Serial No.
1	N163-610100-W00	扣件 Fastener	4	
2	R441-130004-000	压板 Plate	1	
3	R441-130003-000	防尘罩 Dustproof hood	1	
4	N163-420100-000	螺钉组件 Screw	6	
5	R441-130005-000	离合器盖 Clutch cover	1	©
5	R470-130002-000	离合器盖 Clutch cover	1	Ⓧ Ⓡ Ⓜ ⊗ ⊙
6	R441-130001-000	离合器壳 Clutch cover	1	©
6	R470-130001-000	离合器壳 Clutch cover	1	Ⓧ Ⓡ Ⓜ ⊗ ⊙
7	PKD-100-G00	捆线带 Wire	1	
8	G000093-000012-00	垫圈 12 Washer 12	1	
9	N150-120002-000	分离叉球形支柱 Ball-ended supporting stud, clutch release fork	1	
10	N150-120007-000	挡圈 Snap ring	1	
11	R441-130002-000	分离拨叉 Release fork	1	
12	XL111Y-ZA(P2)-G00	离合器压盘及盖总成 Press disc and caseassembly	1	©
12	XL137Y-Z(P1)-G00		1	Ⓧ Ⓡ Ⓜ ⊗ ⊙

图 1-1 离合器

Fig.1-1 Clutch

© CPC40/45-RG31

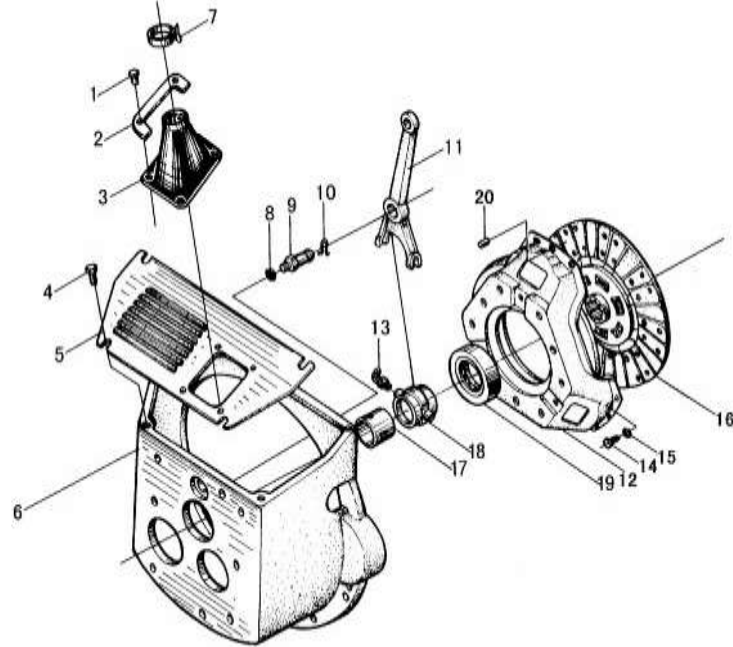
⊗ CPC45-RG43-S

Ⓓ CPC50-RXG24

Ⓨ CPC45-RG42-S

Ⓔ CPC45-RG34-S

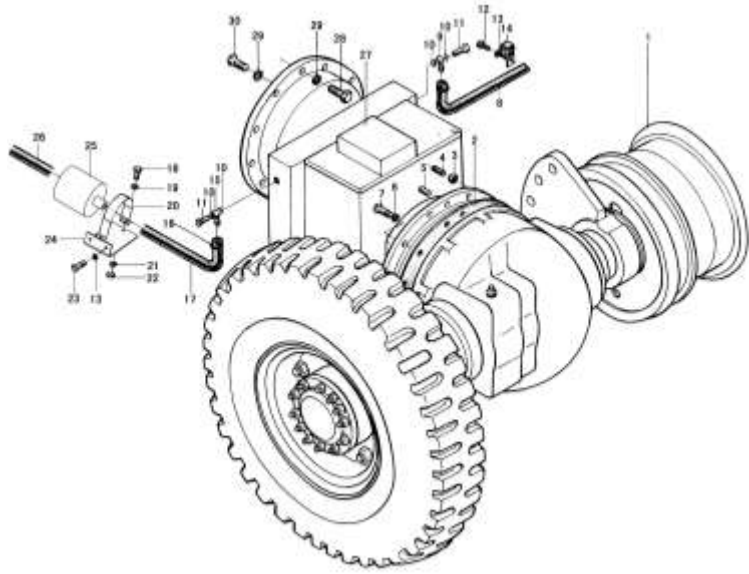
Ⓜ CPC50-RXG42



序号 Item	物料码 Part No.	名称 Description	数量 Qty	备注或适用车型 Remarks or Serial No.
13	G001153-006000-00	油杯 45°M6 Grease ripple	1	
14	G005783-010020-00	螺栓 M10×20 Bolt M10×20	8	
15	G000093-000010-00	垫圈 10 Washer 10	8	
16	XL113C-Z(P1)-G00	离合器从动盘总成 Clutch driven disc assembly	1	©
16	XL40C-Z(P1)-G00		1	Ⓓ Ⓔ Ⓜ ⊗ Ⓨ
17	R441-131002-000	衬套 Spacer	1	
18	R441-131001-000	分离轴承套筒 Clutch release collar	1	
19	9688211	分离轴承 Release bearing clutch	1	
20	G000119-010018-00	销 10×18 Pin 10×18	2	Ⓓ Ⓔ Ⓜ ⊗ Ⓨ

图2 传动系统 II
Fig.2 Driving system II

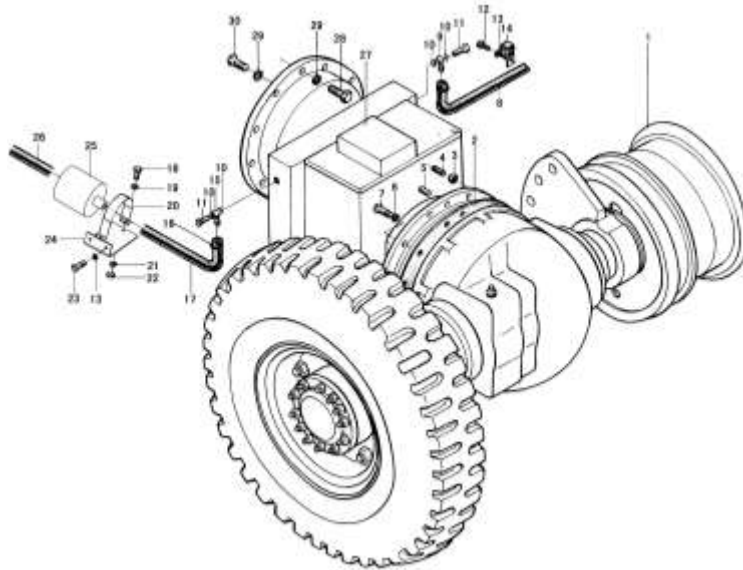
- | | | | |
|-------------------|-----------------|-------------------|-----------------|
| Ⓐ CPCD40/45-RG24 | Ⓑ CPCD50-RXG24 | Ⓔ CPCD40/45-RW5 | Ⓕ CPCD50-RXW5 |
| Ⓒ CPYD40/45-RW17 | Ⓓ CPYD50-RXW17 | Ⓛ CPCD40/45-RW19 | Ⓜ CPCD50-RXW19 |
| Ⓚ CPQYD40/45-RW57 | Ⓛ CPQYD50-RXW57 | ⓀⓁ CPYD40/45-RW57 | ⓁⓁ CPYD50-RXW57 |
| Ⓞ CPCD40/45-RW35 | Ⓟ CPCD50-RXW35 | ⓁⓁ CPCD40/45-RG42 | ⓁⓁ CPCD50-RXG42 |
| Ⓠ CPYD40/45-RW24 | Ⓡ CPYD50-RXW24 | | |



序号 Item	物料码 Part No.	名称 Description	数量 Qty	备注或适用车型 Remarks or Serial No.
1	R420-110000-000	驱动桥 Drive axle	1	4t
1	R450-110000-000	驱动桥 Drive axle	1	4.5t-5t
2	40DH-100001	垫圈 Washer	1	
3	G006170-000012-00	螺母 M12 Nut M12	2	
4	G000898-012035-00	螺柱 M12x35 Stud M12x35	2	
5	G000120-010035-00	销 B10x35 Pin B10x35	1	
6	G000093-000012-00	垫圈 12 Washer 12	12	
7	G005783-012035-00	螺栓 M12x35 Bolt M12x35	10	
8	R450-100002-W00	低压胶管 Rubber pipe	1	Ⓐ Ⓑ Ⓛ Ⓧ
8	R454-100001-W00	低压胶管 Rubber pipe	1	Ⓔ Ⓝ
8	R453-100001-W00	低压胶管 Rubber pipe	1	Ⓒ Ⓓ Ⓛ Ⓜ Ⓚ Ⓛ ⓀⓁ ⓁⓁ Ⓠ Ⓡ Ⓟ
8	R457-100002-W00	低压胶管 Rubber pipe	1	Ⓞ
9	40DH-100010	接头体 Connector	1	≤2009-12
10	G001235-002602P4-00	O形密封圈 26x2.4 O-ring 26x2.4	4	

图2 传动系统 II
Fig.2 Driving system II

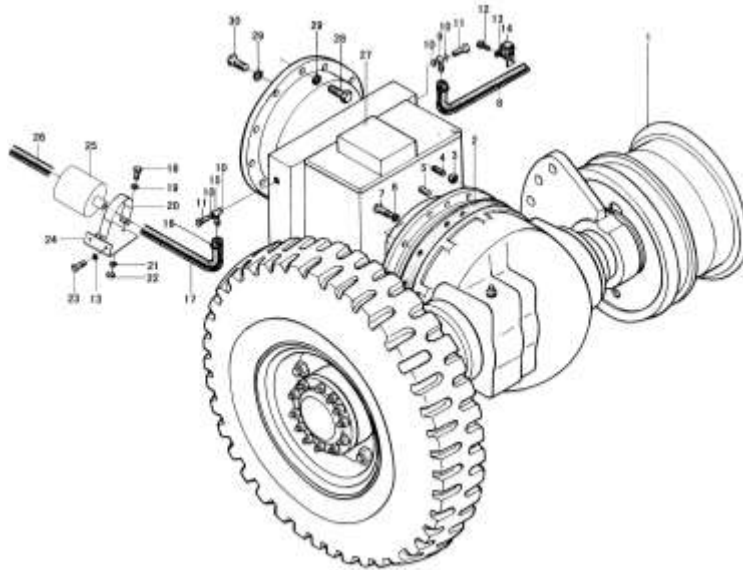
- | | | | |
|-------------------|-----------------|-------------------|-----------------|
| Ⓐ CPCD40/45-RG24 | Ⓑ CPCD50-RXG24 | Ⓔ CPCD40/45-RW5 | Ⓕ CPCD50-RXW5 |
| Ⓒ CPYD40/45-RW17 | Ⓓ CPYD50-RXW17 | Ⓛ CPCD40/45-RW19 | Ⓜ CPCD50-RXW19 |
| Ⓚ CPQYD40/45-RW57 | Ⓛ CPQYD50-RXW57 | ⓀⓁ CPYD40/45-RW57 | ⓁⓁ CPYD50-RXW57 |
| Ⓞ CPCD40/45-RW35 | Ⓟ CPCD50-RXW35 | ⓁⓁ CPCD40/45-RG42 | ⓁⓁ CPCD50-RXG42 |
| Ⓠ CPYD40/45-RW24 | Ⓡ CPYD50-RXW24 | | |



序号 Item	物料码 Part No.	名称 Description	数量 Qty	备注或适用车型 Remarks or Serial No.
11	40DH-100003	铰接螺栓 Bolt	2	≤2009-12
12	G005783-008016-00	螺栓 M8×16 Bolt M8×16	3	
13	G000093-000008-00	垫圈 8 Washer 8	7	
14	R450-600003-000	抱箍 Clamp	3	
15	40DH-100009	接头体 Connector	1	≤2009-12
16	Q672-32-G00	双钢丝环箍 32 Clamp 32	6	
17	R450-100001-W00	低压胶管 Rubber pipe	1	除外 Except Ⓞ
17	R457-100001-W00	低压胶管 Rubber pipe	1	Ⓞ
18	G005783-006016-00	螺栓 M6×16 Bolt M6×16	2	
19	G0097P1-000006-00	垫圈 6 Washer 6	2	
20	40DH-100007	抱箍 Clamp	1	
21	G000093-000006-00	垫圈 6 Washer 6	2	
22	G006170-000006-00	螺母 M6 Nut M6	2	
23	G005783-008018-00	螺栓 M8×18 Bolt M8×18	2	

图2 传动系统 II
Fig.2 Driving system II

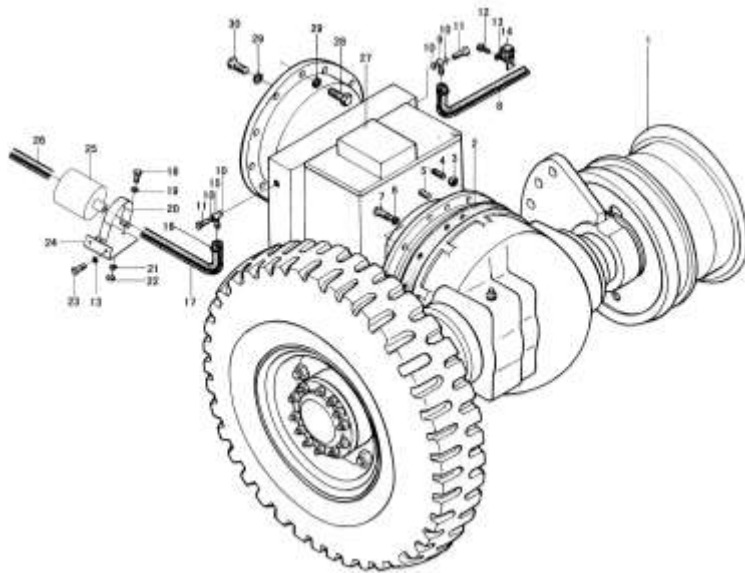
- | | | | |
|-------------------|-----------------|-------------------------------|-----------------------------|
| Ⓐ CPCD40/45-RG24 | Ⓑ CPCD50-RXG24 | Ⓔ CPCD40/45-RW5 | Ⓕ CPCD50-RXW5 |
| Ⓒ CPYD40/45-RW17 | Ⓓ CPYD50-RXW17 | Ⓛ CPCD40/45-RW19 | Ⓜ CPCD50-RXW19 |
| Ⓚ CPQYD40/45-RW57 | Ⓛ CPQYD50-RXW57 | Ⓚ ₁ CPYD40/45-RW57 | Ⓛ ₁ CPYD50-RXW57 |
| Ⓞ CPCD40/45-RW35 | Ⓟ CPCD50-RXW35 | Ⓤ CPCD40/45-RG42 | Ⓥ CPCD50-RXG42 |
| Ⓠ CPYD40/45-RW24 | Ⓡ CPYD50-RXW24 | | |



序号 Item	物料码 Part No.	名称 Description	数量 Qty	备注或适用车型 Remarks or Serial No.
24	40DH-100006	支架 Bracket	1	
25	YK0812A5-0000-G00	液压滤清器 Hydraulic oil filter	1	
26	R450-100003-W00	低压胶管 Rubber pipe	1	Ⓐ Ⓑ Ⓤ Ⓥ
26	R454-100002-W00	低压胶管 Rubber pipe	1	Ⓔ Ⓕ
26	R453-100002-W00	低压胶管 Rubber pipe	1	Ⓒ Ⓓ Ⓛ Ⓚ Ⓛ ₁ Ⓚ ₁ Ⓛ ₁ Ⓠ Ⓡ Ⓟ
26	R457-100003-W00	低压胶管 Rubber pipe	1	Ⓞ
27	R450-120000-000	液力传动变速箱 Automatic transmission	1	<2014-04-01 Ⓐ Ⓑ Ⓤ Ⓥ
27	R450-120000-G01	液力传动变速箱 Automatic transmission	1	≥2014-04-01 Ⓐ Ⓑ Ⓤ Ⓥ
27	R454-120000-000	液力传动变速箱 Automatic transmission	1	Ⓔ Ⓕ, <2014-04-01
27	R454-120000-G01	液力传动变速箱 Automatic transmission	1	Ⓔ Ⓕ, ≥2014-04-01
27	R453-120000-000	液力传动变速箱 Automatic transmission	1	<2014-04-01 Ⓒ Ⓓ Ⓚ Ⓛ Ⓚ ₁ Ⓛ ₁ Ⓠ Ⓡ Ⓟ Ⓞ Ⓟ
27	R453-120000-G01	液力传动变速箱 Automatic transmission	1	≥2014-04-01 Ⓚ Ⓛ Ⓚ ₁ Ⓛ ₁ Ⓠ Ⓡ
27	R457-120000-G01	液力传动变速箱 Automatic transmission	1	Ⓞ Ⓟ, ≥2014-04-01
27	YQX45 II HA	液力传动变速箱 Automatic transmission	1	Ⓛ Ⓜ, <2014-04-01

图2 传动系统 II
Fig.2 Driving system II

- | | | | |
|-------------------|-----------------|------------------|----------------|
| Ⓐ CPCD40/45-RG24 | Ⓑ CPCD50-RXG24 | Ⓔ CPCD40/45-RW5 | Ⓕ CPCD50-RXW5 |
| Ⓒ CPYD40/45-RW17 | Ⓓ CPYD50-RXW17 | Ⓛ CPCD40/45-RW19 | Ⓜ CPCD50-RXW19 |
| Ⓚ CPQYD40/45-RW57 | Ⓛ CPQYD50-RXW57 | Ⓝ CPYD40/45-RW57 | Ⓟ CPYD50-RXW57 |
| Ⓢ CPCD40/45-RW35 | Ⓟ CPCD50-RXW35 | Ⓤ CPCD40/45-RG42 | Ⓡ CPCD50-RXG42 |
| Ⓣ CPYD40/45-RW24 | Ⓡ CPYD50-RXW24 | | |



序号 Item	物料码 Part No.	名称 Description	数量 Qty	备注或适用车型 Remarks or Serial No.
27	R452-120000-G01	液力传动变速箱 Automatic transmission	1	① ②, ≥2014-04-01
28	G005783-010035-00	螺栓 M10×35 Bolt M10×35	12	
29	G000093-000010-00	垫圈 10 Washer 10	20	
30	G005783-010025-00	螺栓 M10×25 Bolt M10×25	10	

图3 驱动桥
Fig.3 Drive axle

序号 Item	物料码 Part No.	名称 Description	数量 Qty	备注或适用车型 Remarks or Serial No.
1	J00100-0161P5-00	螺塞 M16×1.5 Plug M16×1.5	1	
2	J00982-000016-00	垫圈 16 Washer 16	1	
A1	R450-111000-000	桥体 Axle	1	Except © ® ④ ⑤ ⑥ ⑦ ⑧ ⑨ ⑩ ⑪ ⑫ ⑬ ⑭ ⑮ ⑯ ⑰ ⑱ ⑲ ⑳ ㉑ ㉒ ㉓ ㉔ ㉕ ㉖ ㉗ ㉘ ㉙ ㉚ ㉛ ㉜ ㉝ ㉞ ㉟ ㊱ ㊲ ㊳ ㊴ ㊵ ㊶ ㊷ ㊸ ㊹ ㊺ ㊻ ㊼ ㊽ ㊾ ㊿, INC:3,7,34,35
A1	R441-111000-000	桥体 Axle	1	© ® ④ ⑤ ⑥ ⑦ ⑧ ⑨ ⑩ ⑪ ⑫ ⑬ ⑭ ⑮ ⑯ ⑰ ⑱ ⑲ ⑳ ㉑ ㉒ ㉓ ㉔ ㉕ ㉖ ㉗ ㉘ ㉙ ㉚ ㉛ ㉜ ㉝ ㉞ ㉟ ㊱ ㊲ ㊳ ㊴ ㊵ ㊶ ㊷ ㊸ ㊹ ㊺ ㊻ ㊼ ㊽ ㊾ ㊿ INC:3,7,34,35
3	R450-111001-000	桥壳 Axle housing	1	除外 Except © ® ④ ⑤ ⑥ ⑦ ⑧ ⑨ ⑩ ⑪ ⑫ ⑬ ⑭ ⑮ ⑯ ⑰ ⑱ ⑲ ⑳ ㉑ ㉒ ㉓ ㉔ ㉕ ㉖ ㉗ ㉘ ㉙ ㉚ ㉛ ㉜ ㉝ ㉞ ㉟ ㊱ ㊲ ㊳ ㊴ ㊵ ㊶ ㊷ ㊸ ㊹ ㊺ ㊻ ㊼ ㊽ ㊾ ㊿, 不单独提供 Do not supply separately
3	R441-111001-000	桥壳 Axle housing	1	© ® ④ ⑤ ⑥ ⑦ ⑧ ⑨ ⑩ ⑪ ⑫ ⑬ ⑭ ⑮ ⑯ ⑰ ⑱ ⑲ ⑳ ㉑ ㉒ ㉓ ㉔ ㉕ ㉖ ㉗ ㉘ ㉙ ㉚ ㉛ ㉜ ㉝ ㉞ ㉟ ㊱ ㊲ ㊳ ㊴ ㊵ ㊶ ㊷ ㊸ ㊹ ㊺ ㊻ ㊼ ㊽ ㊾ ㊿ Do not supply separately
4	J000982-000022-00	垫圈 22 Washer 22	2	
5	N163-110017-000	螺塞 Plug	1	≤2013-06
5	J001001-0221P5-00	螺塞 M22×1.5 Plug M22×1.5	1	≥2013-06
6	40DH-110003	通气塞 Z1/8" Vent plug	1	≤2013-06
6-1	XB450-115000-000	呼吸器 breathing	1	≥2013-06
7	R450-111001-000	轴管 Bushing	2	Except © ® ④ ⑤ ⑥ ⑦ ⑧ ⑨ ⑩ ⑪ ⑫ ⑬ ⑭ ⑮ ⑯ ⑰ ⑱ ⑲ ⑳ ㉑ ㉒ ㉓ ㉔ ㉕ ㉖ ㉗ ㉘ ㉙ ㉚ ㉛ ㉜ ㉝ ㉞ ㉟ ㊱ ㊲ ㊳ ㊴ ㊵ ㊶ ㊷ ㊸ ㊹ ㊺ ㊻ ㊼ ㊽ ㊾ ㊿ Do not supply separately
7	JP451-111002-00	左套管 Left Plug	1	© ® ④ ⑤ ⑥ ⑦ ⑧ ⑨ ⑩ ⑪ ⑫ ⑬ ⑭ ⑮ ⑯ ⑰ ⑱ ⑲ ⑳ ㉑ ㉒ ㉓ ㉔ ㉕ ㉖ ㉗ ㉘ ㉙ ㉚ ㉛ ㉜ ㉝ ㉞ ㉟ ㊱ ㊲ ㊳ ㊴ ㊵ ㊶ ㊷ ㊸ ㊹ ㊺ ㊻ ㊼ ㊽ ㊾ ㊿ 不单独提供 Do not supply separately
7	JP451-111003-00	右套管 Right Plug	1	Do not supply separately

图3 驱动桥
Fig.3 Drive axle

全部车型
All models of truck

序号 Item	物料码 Part No.	名称 Description	数量 Qty	备注或适用车型 Remarks or Serial No.
8	R450-110002-000	右支撑板 Right Plate	1	Except C D R W X Y 除外 $\leq 2012-03$ 序号 8 和 12 一起切换 Item 8 and 12 At the same time change
8	R450-110001-000	左支撑板 Left Plate	1	
8	R450-110002-001	右支撑板 Right Plate	1	Except C D R W X Y 除外 $\geq 2012-04$ Item 8 and 12 At the same time change
8	R450-110001-001	左支撑板 Left Plate	1	
8	R441-110002-000	右支撑板 Right Plate	1	C D R W X Y
8	R441-110001-000	左支撑板 Left Plate	1	C D R W X Y
9		右制动器 Right Brake	1	图 6 或图 7 Fig.6 or Fig.7
9		左制动器 Left Brake	1	图 6 或图 7 Fig.6 or Fig.7
10	G006171-000014-02	螺母 M14x1.5 Nut	16	$\leq 2012-03$
11	G000093-000014-00	垫圈 14 Washer	16	$\leq 2012-03$
11	G000093-000016-00	垫圈 16 Washer 16	16	$\geq 2012-04$
12	40DH-110003	螺柱 Stud	16	除外 Except C D R W X Y , $\leq 2012-03$
12	R450-110010-000	制动器连接螺栓 Bolt	16	除外 Except C D R W X Y , $\geq 2012-04$

图3 驱动桥
Fig.3 Drive axle

全部车型
All models of truck

序号 Item	物料码 Part No.	名称 Description	数量 Qty	备注或适用车型 Remarks or Serial No.
12	H510-110005-000	螺柱 Stud	16	© ® ④ ⑤ ⑥ ⑦ ⑧ ⑨ ⑩ ⑪ ⑫ ⑬ ⑭ ⑮ ⑯ ⑰ ⑱ ⑲ ⑳ ㉑ ㉒ ㉓ ㉔ ㉕ ㉖ ㉗ ㉘ ㉙ ㉚ ㉛ ㉜ ㉝ ㉞ ㉟ ㊱ ㊲ ㊳ ㊴ ㊵ ㊶ ㊷ ㊸ ㊹ ㊺ ㊻ ㊼ ㊽ ㊾ ㊿ , ≤2012-03
12	XB450-11003-000	螺栓 Bolt	16	© ® ④ ⑤ ⑥ ⑦ ⑧ ⑨ ⑩ ⑪ ⑫ ⑬ ⑭ ⑮ ⑯ ⑰ ⑱ ⑲ ⑳ ㉑ ㉒ ㉓ ㉔ ㉕ ㉖ ㉗ ㉘ ㉙ ㉚ ㉛ ㉜ ㉝ ㉞ ㉟ ㊱ ㊲ ㊳ ㊴ ㊵ ㊶ ㊷ ㊸ ㊹ ㊺ ㊻ ㊼ ㊽ ㊾ ㊿ , ≥2012-04
13	J001001-0221P5-00	螺塞 M22×1.5 Plug	1	
14	G006171-000020-02	螺母 M20×1.5 Nut	16	
15	HG40692-160011514-00	油封 PD160×115×14 Oil seal	2	
16	G000093-000020-00	垫圈 20 Washer	16	
17	GT00297-0032217-00	轴承 32217 Bearing	2	
18	R450-110003-000	轮毂 Hub	2	
19	R450-110004-000	制动鼓 Brake drum	2	≤2012-09
19	R450-110004-001	制动鼓 Brake drum	2	≥2012-10
20	R450-110007-000	轮毂螺栓 Hub bolt	16	单轮 Single tyre
20	R450-110002-500	轮毂螺栓 Bolt, Hub	16	双轮 Double tyre
21	GT00297-0007815-00	轴承 7815 Bearing	2	
22	N163-110015-000	轮毂螺母 Hub nut	16	单轮 Single tyre

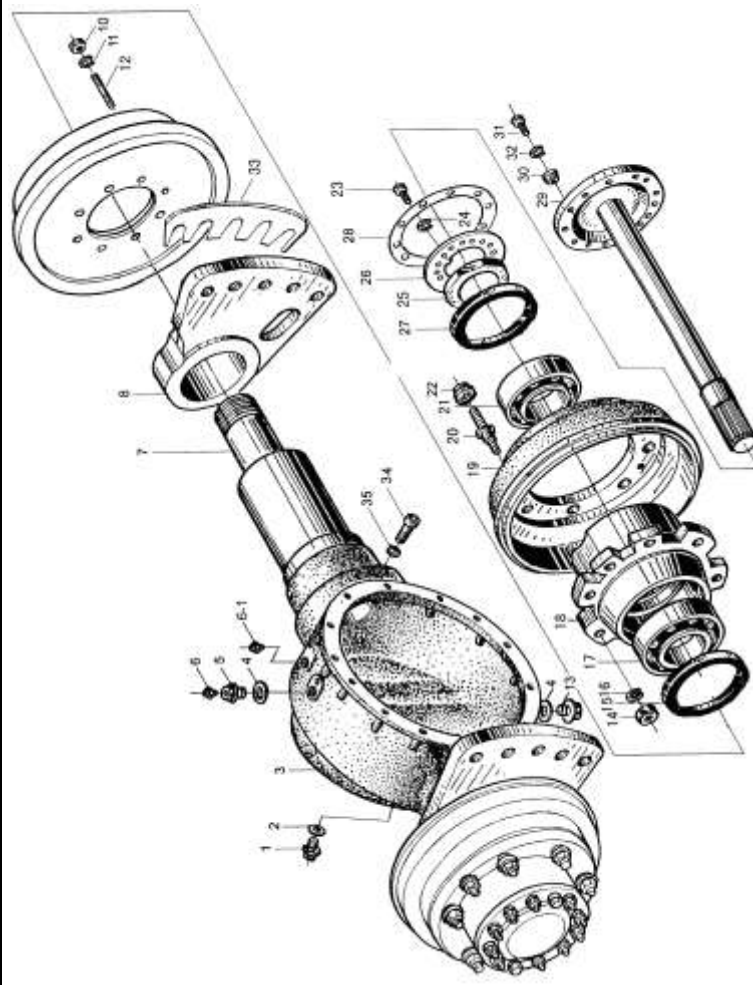


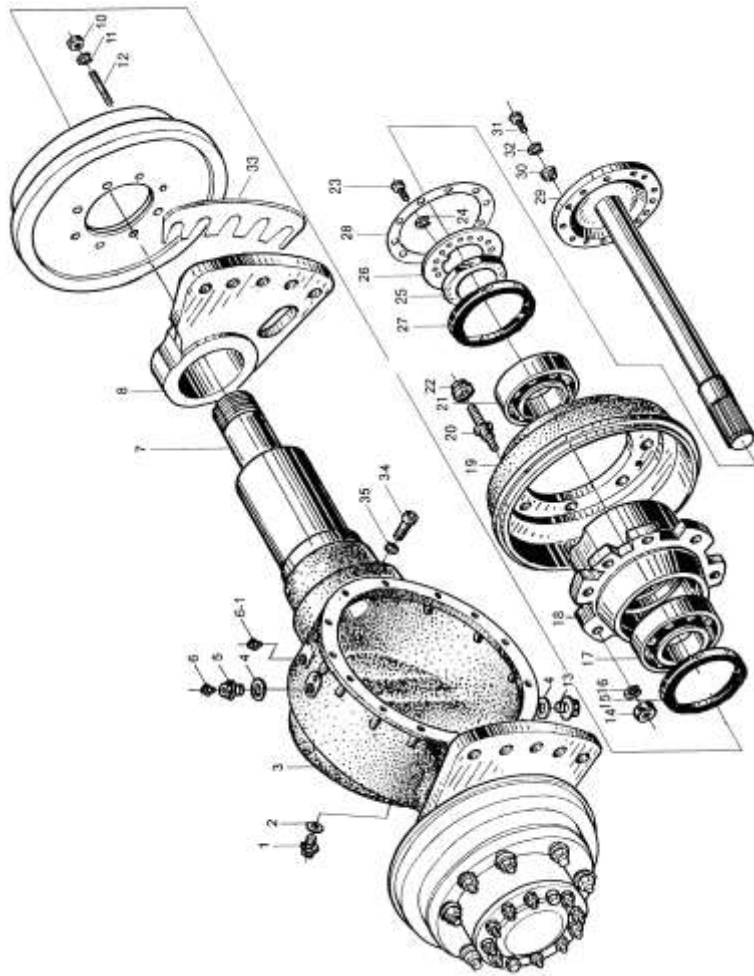
图3 驱动桥
Fig.3 Drive axle

全部车型
All models of truck

序号 Item	物料码 Part No.	名称 Description	数量 Qty	备注或适用车型 Remarks or Serial No.
22	R450-110003-500	螺母 Nut	16	双轮 Double tyre 见图 5 See Fig.5 Item 3
22	R450-110001-500	螺母 Nut	16	双轮 Double tyre 见图 5 See Fig.5 Item 1
23	G005783-006012-00	螺栓 M6×12 Bolt M6×12	4	
24	G000093-000006-00	垫圈 6 Washer 6	4	
25	R450-110006-000	锁紧螺母 Lock nut	2	
26	N163-110011-000	锁紧片 Lock washer	2	
27	HG40692-140011014-00	油封 PD140×110×14 Oil seal	2	
28	R450-110008-000	纸垫 Gasket	2	
29	R450-110005-000	半轴 Half-axle	2	除外 Except © ® Ⓜ ⓧ Ⓨ
29	JP451-110001-000	左半轴 Left half-axle	1	© ® Ⓜ ⓧ Ⓨ
29	JP451-110002-000	右半轴 Right half-axle	1	© ® Ⓜ ⓧ Ⓨ
30	N163-110019-000	压紧衬套 Clamp split-ring	24	
31	N163-110021-000	螺栓 Bolt	24	
32	G000093-000012-00	垫圈 12 Washer	24	
33	R450-110009-000	垫板 Plate	1	

图3 驱动桥
Fig.3 Drive axle

全部车型
All models of truck



序号 Item	物料码 Part No.	名称 Description	数量 Qty	备注或适用车型 Remarks or Serial No.
34	G000070-012030-00	螺钉 M12×30 Screw M12×30	2	
35	G000093-000012-00	垫圈 12 Washer 12	2	

图 4 前轮（单轮）
Fig.4 Front wheel (Single tyre)

单轮 全部车型
Single tyre All models of truck



序号 Item	物料码 Part No.	名称 Description	数量 Qty	备注或适用车型 Remarks or Serial No.
1	R450-112000-000	轮辋总成 Wheel rim	2	4.5-5t 黑色 Black
1	R420-112000-000	轮辋总成 Wheel rim	2	4t 黑色 Black
2	GT02982-003001518-00	充气轮胎 300-15-18PR Pneumatic tyre	2	4.5~5t 标配 Standard
2	GT02982-008251514-05	充气轮胎 8.25-15-14PR Pneumatic tyre	2	4t 标配 Optional
2	GT10823-0030015-15	实心胎 300-15 Solid tyre	2	4.5~5t 选配 Standard
2	GT10823-0082515-15	实心胎 8.25-15 Solid tyre	2	4t 选配 Optional

图5 前轮（双轮）
Fig.5 Front wheel (Double tyre)

双轮 全部车型
Double tyre All models of truck

序号 ITEM	物料码 PART NO.	名称 DESCRIPTION	数量 QTY	REMARKS OR SERIAL NO. 备注或适用车型
1	R450-110001-500	螺母 Nut	16	
2	R450-112000-500	轮辋总成 Wheel rim	2	黑色 BLACK
3	R450-110003-500	螺母 Nut	16	
4	GT02982-008251514-05	充气轮胎 8.25-15-14PR Pneumatic tyre	4	标配 STANDARD
4	GT10823-0082515-15	实心胎 8.25-15 Solid tyre	4	选配 OPTIONAL
5	R450-110002-500	轮毂螺栓 Hub bolt	16	
6	R450-111000-500	轮辋总成 Wheel rim	2	黑色 BLACK
7	G000093-000020-00	垫圈 20 Washer 20	16	
8	G006171-000020-02	螺母 M20×1.5 Nut M20×1.5	16	
9	50CDA-210001	气门接长管 Extension tube	2	充气轮胎 INFLATED TYRE
10	AS450-460001-000	左挡泥板 Fender left	1	
11	AS450-460002-000	右挡泥板 Fender right	1	
12	G005783-012050-00	螺栓 M12×50 Bolt M12×50	8	
13	G0097P1-000012-00	垫圈 12 Washer 12	8	
14	G000096-000012-00	垫圈 12 Washer 12	8	

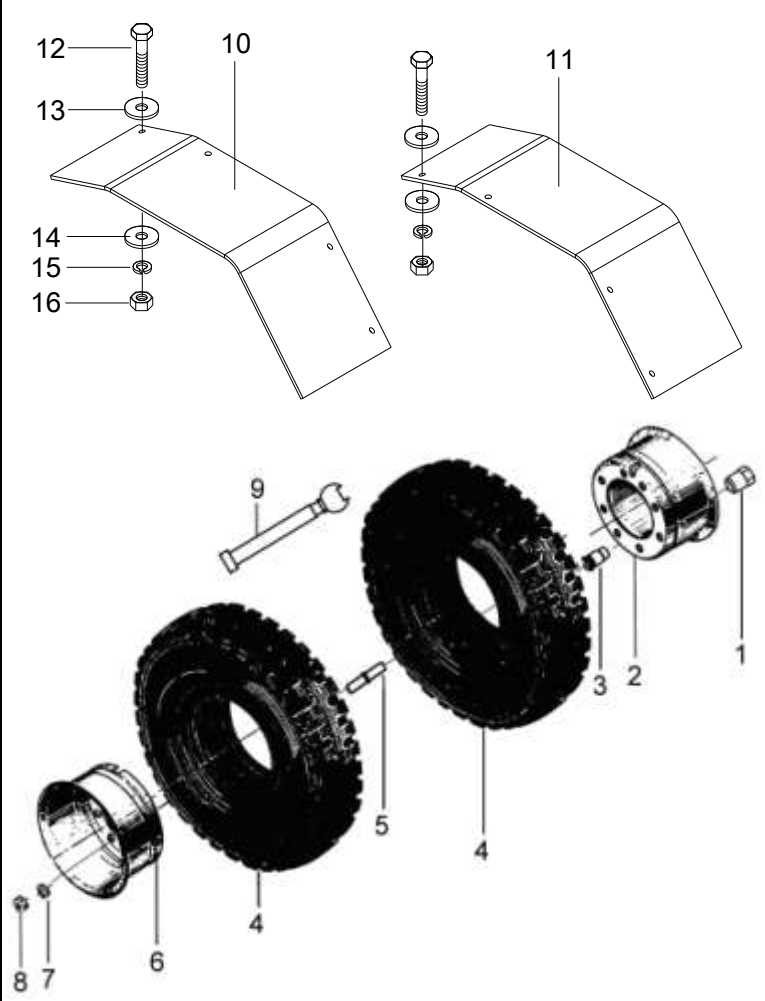
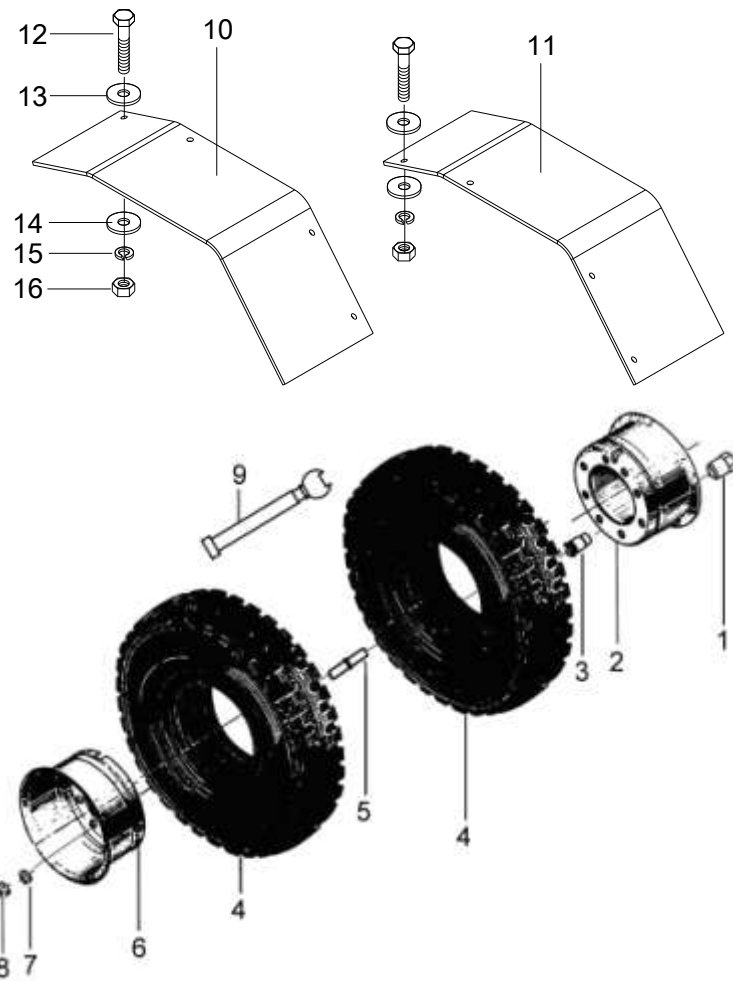


图5 前轮（双轮）
Fig.5 Front wheel (Double tyre)

双轮
DOUBLE TYRE



序号 ITEM	物料码 PART NO.	名称 DESCRIPTION	数量 QTY	REMARKS OR SERIAL NO. 备注或适用车型
15	G000093-000012-00	垫圈 12 WASHER 12	8	
16	G006170-000012-00	螺母 M12 NUT M12	8	

图6 制动器 <2013-01-01
Fig.6 Wheel brake <2013-01-01

全部车型
All models of truck

序号 Item	物料码 Part No.	名称 Description	数量 Qty	备注或适用车型 Remarks or Serial No.
A	R450-113000-000	制动器(左) Brake assey(L.H.)	1	
B	R450-114000-000	制动器(右) Brake assey(R.H.)	1	
1	HRAOIC3-704	制动底板 Brake plate ass'y	1	左右对称各一
2	25783-71160G	调整器总成 Adjusting cover	1	左右对称各一
3	HRAOIC3-705	制动蹄带摩擦片总成 Brake shoe	2	
4	25783-71330G	弹簧 E Spring E	1	
5	AOIC3-72031	手制动拉杆 Lever LH brake	1	左右对称各一
6	25783-71480G	弹簧 ASpring A	1	
7	G000091-1P6016-00	开口销 1.6x16 Pin	1	
8	G005782-006020-00	螺栓 M6x20 Bolt	4	
9	G000096-000006-00	垫圈 6 Washing	4	
10	AOIC3-72051	手制动推杆 Strut	1	
11	25783-71210G	弹簧铆接装置 Spring & fitting ass'y	1	
12	25783-71360G	弹簧 C Spring C	1	左右对称各一
13	25783-71480G	棘爪 Lever	1	左右对称各一

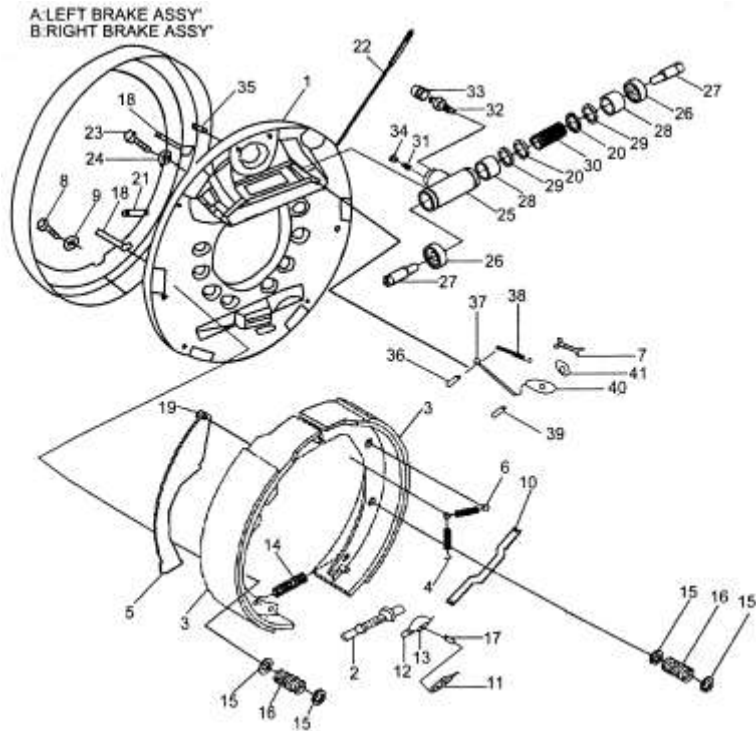


图6 制动器 <2013-01-01
Fig.6 Wheel brake <2013-01-01

全部车型
All models of truck

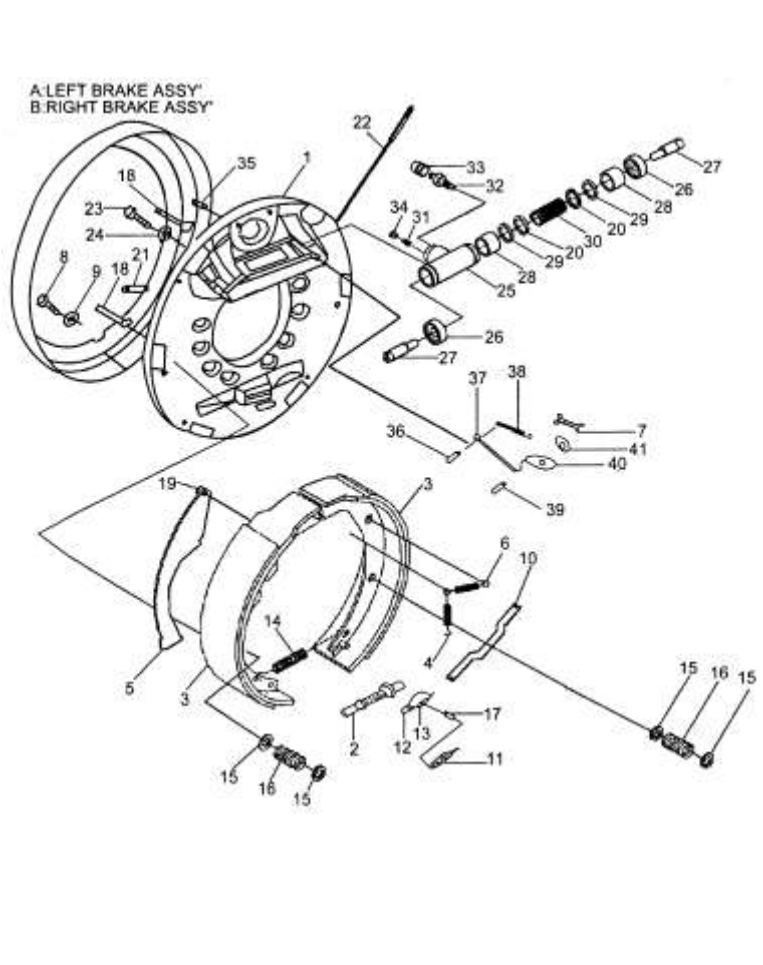
	序号 Item	物料码 Part No.	名称 Description	数量 Qty	备注或适用车型 Remarks or Serial No.
	14	25783-71370G	弹簧 B Spring B	1	
	15	AOIC3-72001	压簧座 Washing cup	4	
	16	25783-71350G	弹簧 F Spring F	2	
	17	25783-71410G	销 Pin	1	
	18	AOIC3-72011	压簧拉杆 Pin,shoe hold	2	
	19	25783-71460G	销 Pin	1	
	20	25783-76040G	分泵皮碗 Cup,piston	2	
	21	25783-71490G	堵塞 Plug,rubber	1	
	22	R450-113200-000	手制动拉索(左) Cable L.H.	1	
	22	R450-114200-000	手制动拉索(右) Cable R.H.	1	
	23	G005782-008020-00	螺栓 M8x20 Bolt	2	
	24	G000093-000008-00	垫圈 8 Washing	2	
	25	AOIC3-72091	制动分泵缸体 Body	1	
	26	25783-72101G	制动分泵护罩 Cover,dust	2	
27	25783-71300G	分泵活塞顶杆 Rod,piston	2		

图6 制动器 <2013-01-01
Fig.6 Wheel brake <2013-01-01

全部车型
All models of truck

序号 Item	物料码 Part No.	名称 Description	数量 Qty	备注或适用车型 Remarks or Serial No.
28	25783-71260G	分泵活塞 Piston	2	
29	25783-71270G	密封垫 Washing	2	
30	25783-71280G	分泵弹簧 D Spring D	1	
31	24433-76070G	制动分泵油塞 Seat,tube	1	
32	24433-76090G	分泵放气螺钉 Screw,bleeder	1	
33	24433-76100G	分泵放气螺钉帽 Cap,screw	1	
34	24433-76090G	螺纹防护罩 Cap,screw	1	
35	22493-71020G	铆钉 Rivet	1	
36	25783-71450G	销 Pin	1	
37	25783-71470G	上拉杆 Lever	1	左右对称各一
38	25783-71480G	弹簧 A Spring A	1	
39	25783-71430G	销 Pin	1	
40	25783-71500G	摇臂 Lever	1	
41	25783-71390G	垫片 Washing	1	

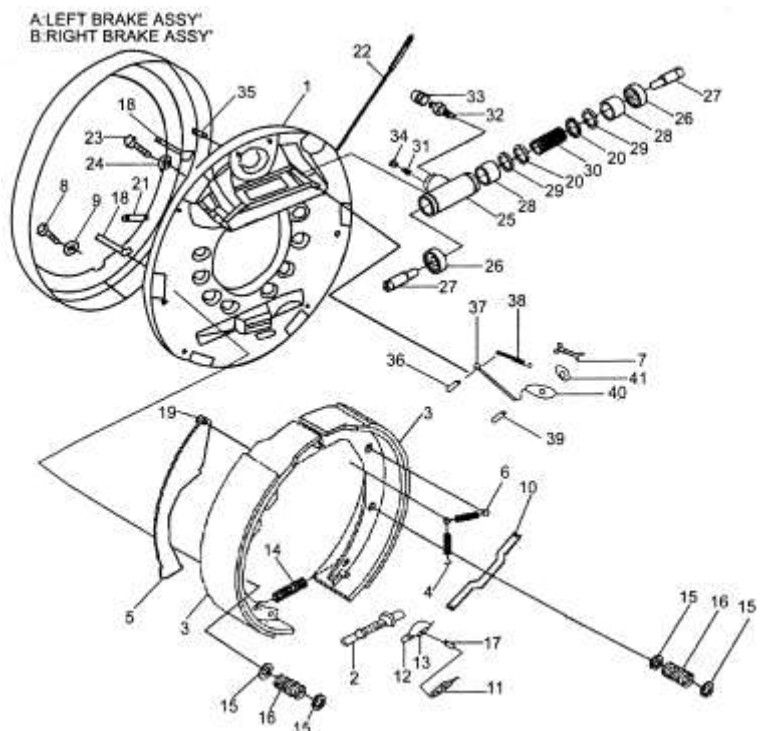


图7 制动器 ≥2013-01-01
Fig.7 Wheel brake ≥2013-01-01

全部车型
All models of truck

序号 Item	物料码 Part No.	名称 Description	数量 Qty	备注或适用车型 Remarks or Serial No.
A1	R450-113000-001	制动器(左) Brake assey(L.H.)	1	
A2	R450-114000-001	制动器(右) Brake assey(R.H.)	1	
1	AOIC3-72081-HC50	罩壳 Encloser	1	
2	GB5782-86-M8x25	螺栓 Bolt	2	
3	GB95-87-φ 8	弹簧垫圈 Spring washer	2	
4	AOIC3-70091	制动底板(左) Brake plate,LH	1	
4	AOIC3-70101	制动底板(右) Brake plate,RH	1	
5	HRAOIC3-702	制动分泵总成 Wheel cylinder assy	1	
6	HRAOIC3-705	制动蹄带摩擦片总成 Brake shoe	2	
7	AOIC3-71420G	回位弹簧销 Pin, back spring	2	
8	25783-71460G	销 1 Pin 1	1	
9	25783-71450G	销 2 Pin 2	1	
10	25783-71470G-L	上拉杆(左) Upper link,LH	1	
10	25783-71470G-R	上拉杆(右) Upper link,RH	1	
11	25783-71380G	回位弹簧 Back spring	2	

图7 制动器 ≥2013-01-01
Fig.7 Wheel brake ≥2013-01-01

全部车型
All models of truck

序号 Item	物料码 Part No.	名称 Description	数量 Qty	备注或适用车型 Remarks or Serial No.
12	25783-71430G	摇臂销 Pin, rocker arm	1	
13	25783-71500G	摇臂 Rocker arm	1	
14	GB91-86-φ1.6×16	开口销 Split pin	1	
15	AOIC3-71210G	弹簧铆接装置 Spring & fitting assy	1	
16	25783-71410G	扭簧销 Pin, torsion spring	1	
17	25783-71370G	下拉簧 Extension spring	1	
18	25783-71480G	棘爪 Lever	1	
19	25783-71360G-L	扭簧(左) Torsion spring, LH	1	
19	25783-71360G-R	扭簧(右) Torsion spring, RH	1	
20	25783-71160G-L	调整器总成(左) Adjusting cover, LH	1	
20	25783-71160G-R	调整器总成(右) Adjusting cover, RH	1	
21	25783-71340G	压簧座 compression spring seat	4	
22	25783-71350G	压簧 Compression spring	2	
23	AOIC3-72011	压簧拉杆 Pull bar	2	
24	24433-70170G	挡圈 Retaining ring	2	

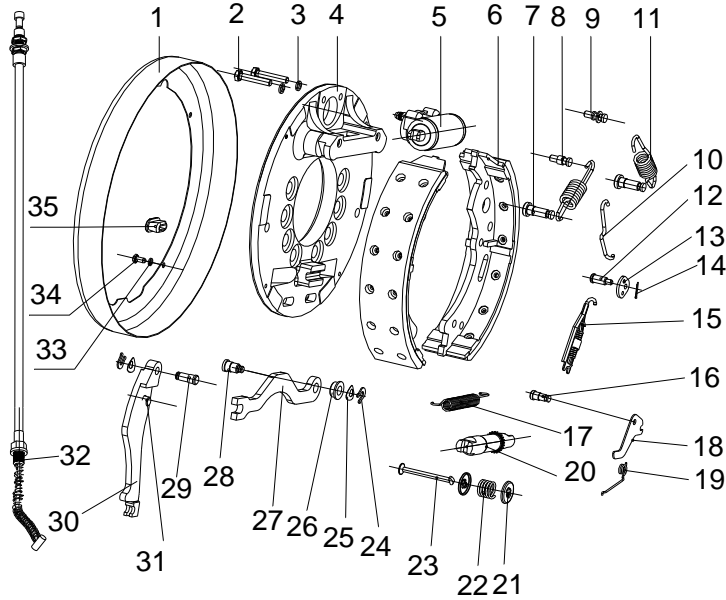


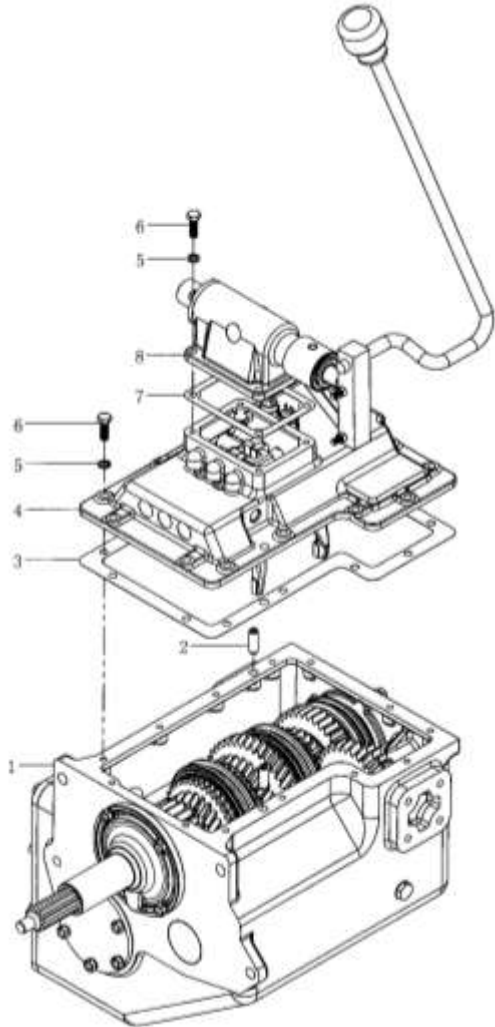
图7 制动器 ≥2013-01-01
Fig.7 Wheel brake ≥2013-01-01

全部车型
All models of truck

序号 Item	物料码 Part No.	名称 Description	数量 Qty	备注或适用车型 Remarks or Serial No.
	25	弹性垫片 Elastic packin	2	
	26	衬套 Bushing	1	
	27	手制动推杆 Lever pushing	1	
	28	推杆销 Pin	1	
	29	拉杆销 Pin	1	
	30	手制动拉杆(左) Lever parking,LH	1	
	30	手制动拉杆(右) Lever parking,RH	1	
	31	销 Pin	1	
	32	手制动拉索, 左 Parking brake cable,LH	1	
	32	手制动拉索, 右 Parking brake cable,RH	1	
	33	弹簧垫圈 Spring washer	4	
	34	螺栓 Bolt	4	
	35	胶堵 Rubber plug	2	

图 8 变速器(机械式 其 1) 绍兴 ShaoXin
Fig.8 Transmission(clutch type part-1)

4.0-X5t
机械变速箱 Mechanical gear-box



序号 Item	物料码 Part No.	名称 Description	数量 Qty	备注或适用车型 Remarks or Serial No.
1	H400-121000-000	变速箱 Transmission	1	4.0-4.5t
1	H470-121000-000	变速箱 Transmission	1	5.0t
2	GB120-86-12x35	销 12x35 Pin	2	
3	H400-120001-000	纸垫 Paper gasket	1	
4	H400-122000-000	变速器上箱盖总成 Tank cover assy	1	见图 14 See Fig.14
5	GB93-87-10	垫圈 10 Washer	17	
6	GB5783-86-M10x30	螺栓 M10x30 Bolt	17	
7	H400-120002-000	纸垫 Paper gasket	1	
8	H400-123000-000	换挡器总成 Shift unit assy	1	见图 15 See Fig.15

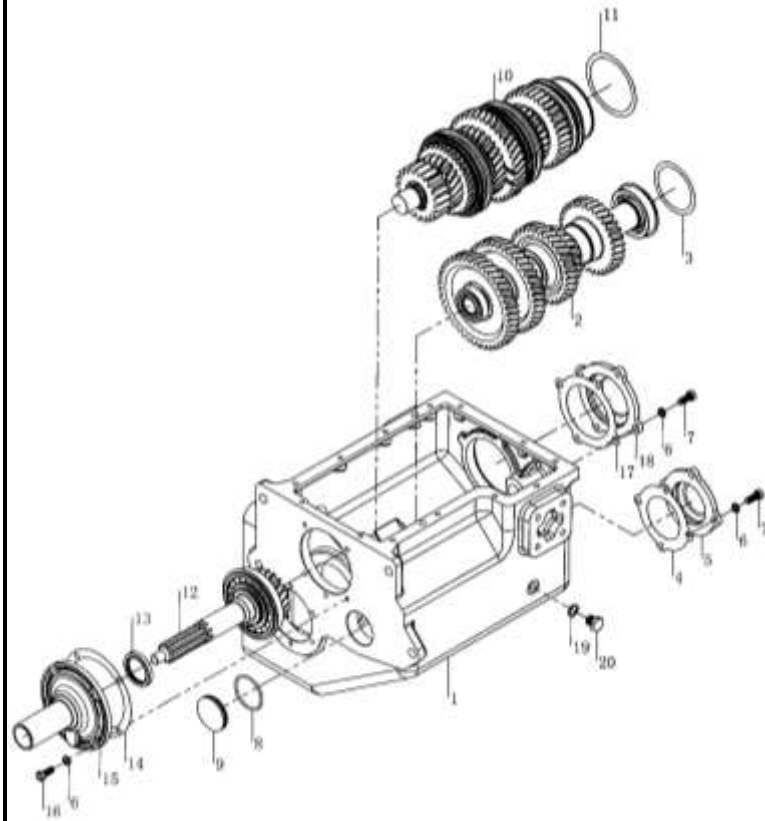
图9 变速器(机械式 其2) 绍兴 ShaoXin
Fig.9 Transmission(clutch type part-2)

4.0-X5t
机械变速箱 Mechanical gear-box

序号 Item	物料码 Part No.	名称 Description	数量 Qty	备注或适用车型 Remarks or Serial No.
1	H400-121001-000	箱体 Housing	1	
2	H400-121300-000	中间轴总成 Intermediate shaft assy	1	见图11 See Fig.11
3	H400-121013-000	调整垫片 Shim	1 组	
4	H400-121011-000	端盖纸垫 Gasket	1	
5	H400-121010-000	中间轴后轴承盖 Bearing cover	1	
6	GB93-87-10	垫圈 10 Washer	12	
7	GB5783-86-M10x25	螺栓 M10x25 Bolt	8	
8	GB3452.1-92-58x2.65	O形密封圈 58x2.65 O-ring	1	
9	H400-121006-000	中间轴前轴承盖 Bearing cover	1	
10	H400-121100-000	第二轴总成 Second shaft assy	1	见图12 See Fig.12
11	H400-121012-000	调整垫片 Shim	1 组	
12	H400-121200-000	输入轴总成 input shaft assy	1	4.0-4.5t 见图13 See Fig.13
12	H510-121200-000	输入轴总成 input shaft assy	1	5t 见图13 See Fig.13
13	HG1-692-67-PD45x62x8	油封 PD45x62x8 Seal, oil	1	
14	H400-121005-000	端盖纸垫 Gasket	1	

图9 变速器(机械式 其2) 绍兴 ShaoXin
Fig.9 Transmission(clutch type part-2)

4.0-X5t
机械变速箱 Mechanical gear-box



序号 Item	物料码 Part No.	名称 Description	数量 Qty	备注或适用车型 Remarks or Serial No.
15	H400-121004-000	输入轴轴承盖 Bearing cover	1	
16	GB21-M10×25	螺栓 M10×25 Bolt	4	
17	H400-121003-000	端盖纸垫 Gasket	1	
18	H400-121002-000	第二轴后轴承盖 Bearing cover	1	
19	Q23-03-16	铜垫片 16 Washer	2	
20	Q20-01-M16×1.5	放油螺塞 M16×1.5 Plug	2	

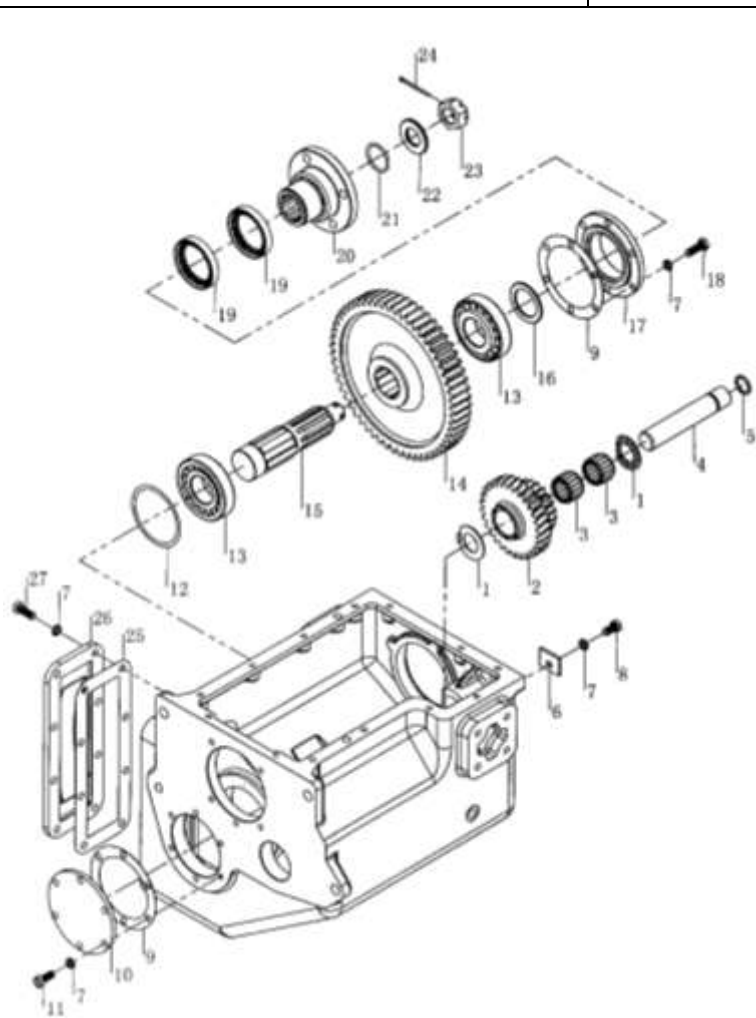
图 10 变速器(机械式 其 3) 绍兴 ShaoXin
Fig.10 Transmission(clutch type part-3)

4.0-X5t
机械变速箱 Mechanical gear-box

序号 Item	物料码 Part No.	名称 Description	数量 Qty	备注或适用车型 Remarks or Serial No.
1	H400-121403-000	垫片 Washer	2	
2	H400-121402-000	倒档齿轮 Gear	1	
3	GB5846-86-K304230	滚针轴承 K304230 Bearing, needle	2	
4	H400-121401-000	倒档齿轮轴 Gear shaft	1	
5	GB3452.1-92-23.6×3.55	O形密封圈 23.6×3.55 O-ring		
6	H400-121009-000	挡板 Plate	1	
7	GB93-87-10	垫圈 10 Washer	21	
8	GB5783-86-M10×25	螺栓 M10×25 Bolt	1	
9	H400-121502-000	输出轴端盖纸垫 Gasket	1	
10	H400-121501-000	输出轴前端盖 Bearing cover	1	
11	GB21-M10×25	螺栓 M10×25 Bolt	6	
12	H400-121503-000	调整垫片 Shim	按需	
13	GB297-94-30309	轴承 30309 Bearing	2	
14	H400-121504-000	输出大齿轮 Bearing	1	
15	H400-121505-000	输出轴 Shaft,output	1	

图 10 变速器(机械式 其 3) 绍兴 ShaoXin
Fig.10 Transmission(clutch type part-3)

4.0-X5t
机械变速箱 Mechanical gear-box



序号 Item	物料码 Part No.	名称 Description	数量 Qty	备注或适用车型 Remarks or Serial No.
16	H400-121509-000	止推环 Thrust ring	1	
17	H400-121506-000	输出轴后端盖 Cover	1	
18	GB5783-86-M10×30	螺栓 M10×30 Bolt	6	
19	HG1-692-67-PD60×80×12	油封 PD60×80×12	2	
20	H400-121507-000	传动轴联结法兰 Flange	1	
21	GB3452.1-92-38.7×3.55	O形密封圈 38.7×3.55 O-ring	1	
22	H400-121510-000	垫圈 Washer	1	
23	H400-121511-000	螺母 Nut	1	
24	GB91-86-4×50	开口销 4×50 Pin	1	
25	H400-121008-000	侧箱盖纸垫 Gasket	1	
26	H400-121007-000	侧箱盖 Cover	1	
27	GB21-M10×30	螺栓 M10×30 Bolt	8	

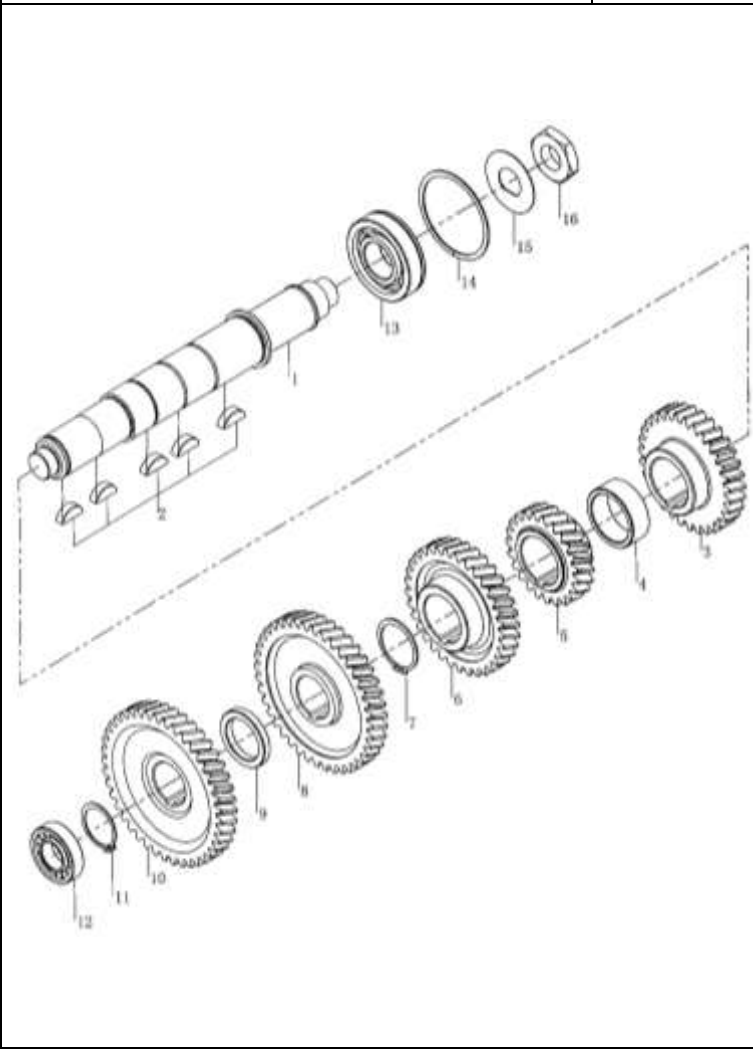
图 11 中间轴总成 (绍兴)
Fig.11 Middle shaft assy (ShaoXin)

4.0-X5t
机械变速箱 Mechanical gear-box

序号 Item	物料码 Part No.	名称 Description	数量 Qty	备注或适用车型 Remarks or Serial No.
A1	H400-121300-000	中间轴总成 Intermediate shaft assy	1	包含/INC:1-16
1	H400-121301-000	中间轴 Middle shaft	1	
2	GB1099-79-10x12x32	半圆键 Key	5	
3	H400-121308-000	中间轴倒档齿轮 Gear	1	
4	H400-121307-000	隔套 Spacer	1	
5	H400-121306-000	中间轴前 I 档齿轮 Gear	1	
6	H400-121305-000	中间轴前 II 档齿轮 Gear	1	
7	GB894.1-86-52	挡圈 52 Snap ring	1	
8	H400-121304-000	中间轴前 III 档齿轮 Gear	1	
9	H400-121303-000	隔套 Spacer	1	
10	H400-121302-000	中间轴大齿轮 Gear	1	
11	GB894.1-86-45	挡圈 45 Snap ring	1	
12	GB283-94-NJ206E	滚子轴承 NJ206E Bearing	1	
13	GB277-82-6308N	轴承 6308N Bearing	1	
14	GB305-84-90	止动环 90 Ring	1	

图 11 中间轴总成 (绍兴)
Fig.11 Middle shaft assy (ShaoXin)

4.0-X5t
机械变速箱 Mechanical gear-box



序号 Item	物料码 Part No.	名称 Description	数量 Qty	备注或适用车型 Remarks or Serial No.
15	H400-121121-000	螺母锁片 Nut	1	
16	H400-121122-000	锁紧螺母 Lock nut	1	

图 12 第二轴总成 (绍兴)
Fig.12 Second shaft assy (ShaoXin)

4.0-X5t
机械变速箱 Mechanical gear-box

序号 Item	物料码 Part No.	名称 Description	数量 Qty	备注或适用车型 Remarks or Serial No.
A1	H400-121100-000	第二轴总成 Second shaft assy	1	包含/INC:1-37
1	H400-121101-000	变速器第二轴 Second shaft	1	
2	H400-121140-007	一二档同步锥 Synchronous cone	2	
3	H400-121140-006	一、二、三、四档同步环 Ring block	4	
4	H400-121140-008	同步器固定齿座 Gear seat	1	
5	H400-121140-005	一二档同步器止动块 Blok stop	6	
6	H400-121140-003	锁销弹簧 1 Spring	6	
7	H400-121140-002	锁销弹簧 2 Spring	6	
8	H400-121140-004	同步器锁销 Pin	6	
9	H400-121130-001	三四档滑动齿套 Sliding dag clutch	2	
10	H400-121108-000	轴用弹性挡圈 Snap ring	1	
11	GB5846-86-K546235	滚针轴承 K556235 Bearing, needle	3	
12	H400-121112-000	前进 I 档齿轮 Gear, F1	1	
13	H400-121110-000	止推卡环 Ring	2	
14	H400-121111-000	套环 Ring	1	

图 12 第二轴总成 (绍兴)
Fig.12 Second shaft assy (ShaoXin)

4.0-X5t
机械变速箱 Mechanical gear-box

序号 Item	物料码 Part No.	名称 Description	数量 Qty	备注或适用车型 Remarks or Serial No.
15	H400-121109-000	前进 II 档齿轮 Gear	1	
16	H400-121123-000	挡圈 Snap ring	1	
17	H400-121130-003	三四档同步锥 Synchronous cone	2	
18	H400-121130-004	三四档固定齿座 Gear seat	1	
19	H400-121124-000	挡圈 Snap ring	1	
17	H400-121107-000	前进 III 档齿轮 Gear, F3	1	
18	H400-121106-000	衬套 Spacer	1	
19	H400-121104-000	输出小齿轮 Gear ring spring	1	
20	GB894.1-86-45	挡圈 45 Snap ring		
21	GB5846-86-KS556231	滚针轴承 KS556231 Bearing, needle	1	
22	H400-121113-000	倒 II 档齿轮 Gear, forward	1	
23	H400121120-000	止推卡环 Ring	2	
24	H400-121119-000	套环 Ring	1	
28	GB5846-86-K627040	滚针轴承 K627040 Bearing, needle	1	
29	H400-121114-000	倒 I 档齿轮 Gear, forward	1	

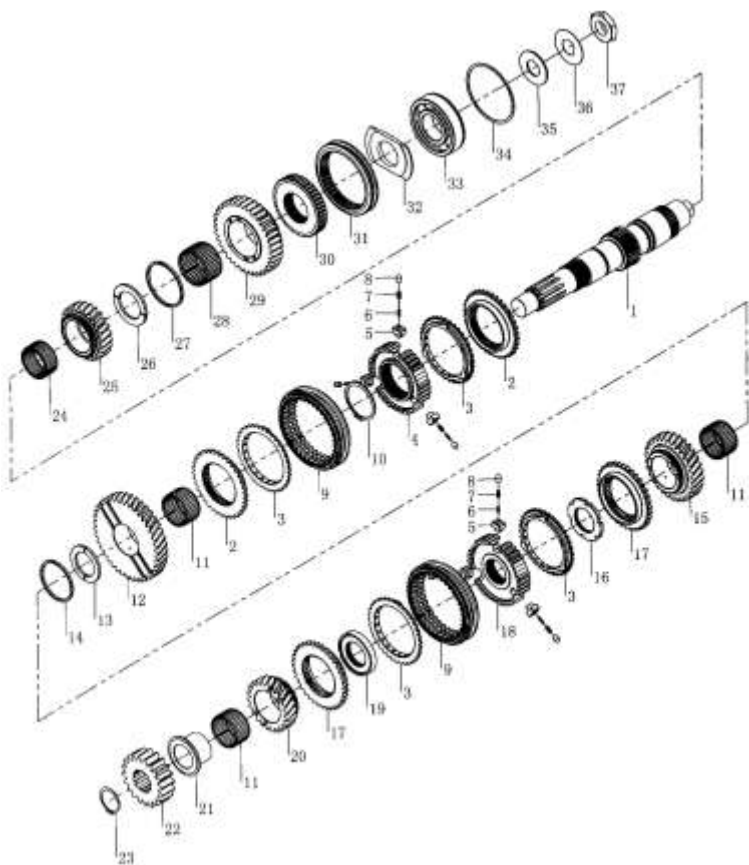


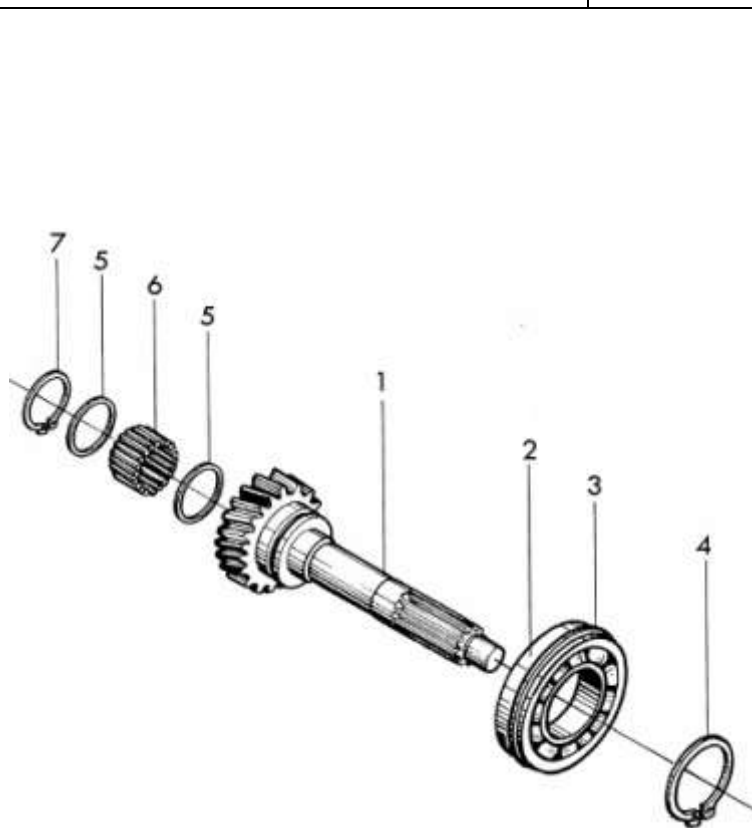
图 12 第二轴总成 (绍兴)
Fig.12 Second shaft assy (ShaoXin)

4.0-X5t
机械变速箱 Mechanical gear-box

序号 Item	物料码 Part No.	名称 Description	数量 Qty	备注或适用车型 Remarks or Serial No.
30	H400-121117-000	一倒档固定齿座 Gear seat	1	
31	H400-121118-000	一倒档滑动齿套 Sliding dag clutch	1	
32	H400-121115-000	止推环 Thrust ring	1	
33	GB276-94-6310N	轴承 6310N Bearing	1	
34	GB305-84-110	止动环 110 Ring, stopper	1	
35	H400-121116-000	挡圈 Snap ring	1	
36	H400-121121-000	螺母锁片 Nut locking piece	1	
37	H400-121122-000	锁紧螺母 Lock nut	1	

图 13 输入轴总成 (绍兴)
Fig.13 input Shaft assy (ShaoXin)

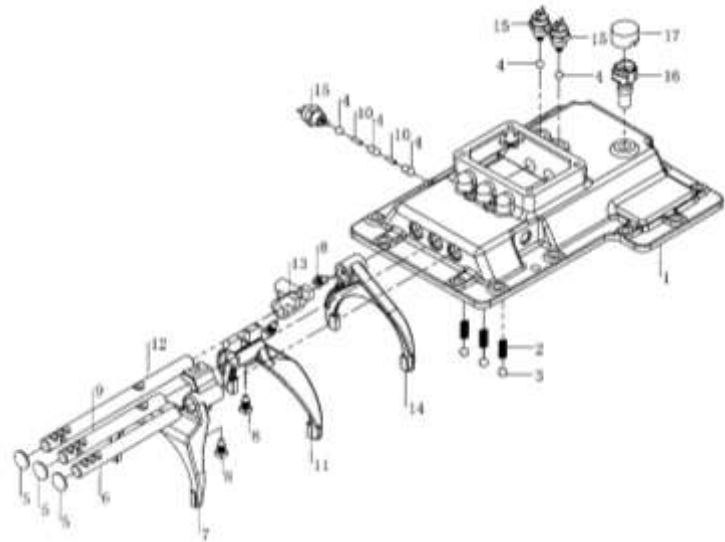
4.0-X5t
机械变速箱 Mechanical gear-box



序号 Item	物料码 Part No.	名称 Description	数量 Qty	备注或适用车型 Remarks or Serial No.
A1	H400-121200-000	输入轴总成 input shaft assy	1	包含/INC:1-7 4.0-4.5t
A1	H510-121200-000	输入轴总成 input shaft assy	1	包含/INC:1-7 5t
1	H400-121201-000	输入轴 input Shaft	1	4-4.5t
1	H510-121201-000	输入轴 input Shaft	1	5t
2	GB283-87-NUP213EM	轴承 NUP213EM Bearing	1	
3	GB305-84-120	止动环 120 Ring,stopper	1	
4	GB894.1-86-65	挡圈 65 Snap ring	1	
5	H400-121202-000	隔圈 Ring	2	
6	H400-121203-G00	滚柱 $\phi 6 \times 22$ Pin roller	22	
7	GB893.1-86-48	孔用弹性挡圈 48 Spring snap	1	

图 14 上箱盖总成 (绍兴)
Fig.14 Tank cover assy (ShaoXin)

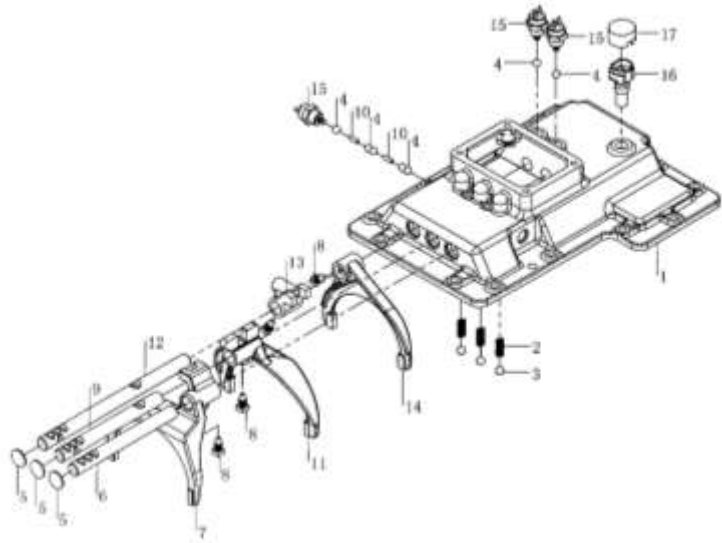
4.0-X5t
机械变速箱 Mechanical gear-box



序号 Item	物料码 Part No.	名称 Description	数量 Qty	备注或适用车型 Remarks or Serial No.
A1	H400-122000-000	变速器上箱盖总成 Tank cover assy	1	包含/INC:1-17
1	H400-122001-000	变速箱上箱盖 Cover, Case	1	
2	H400-122010-000	定位弹簧 Spring	3	
3	GB6170-89-Φ 11	钢球Φ 11 Ball, steel	3	
4	GB6170-89-Φ 10	钢球Φ 10 Ball, steel	7	
5	Q27126	塞片 Q27126 Plate	3	
6	H400-122008-000	III档拨叉轴 Shaft	1	
7	H400-122002-000	前进 II、III档拨叉 fork	1	
8	H400-122006-000	拨叉锁紧螺钉 Screw	4	
9	H400-122007-000	拨叉轴 Fork shaft	1	
10	H400-122005-000	互锁销 pin	2	
11	H400-122003-000	前 I、倒 II 档拨叉 shift fork	1	
12	H400-122009-000	拨叉轴 Fork shaft	1	
13	H400-122004-000	倒 I 档拨叉轴拨块 Dial block, Fork shaft	1	
14	H400-122011-000	倒 I 档拨叉 shift fork	1	

图 14 上箱盖总成 (绍兴)
Fig.14 Tank cover assy (ShaoXin)

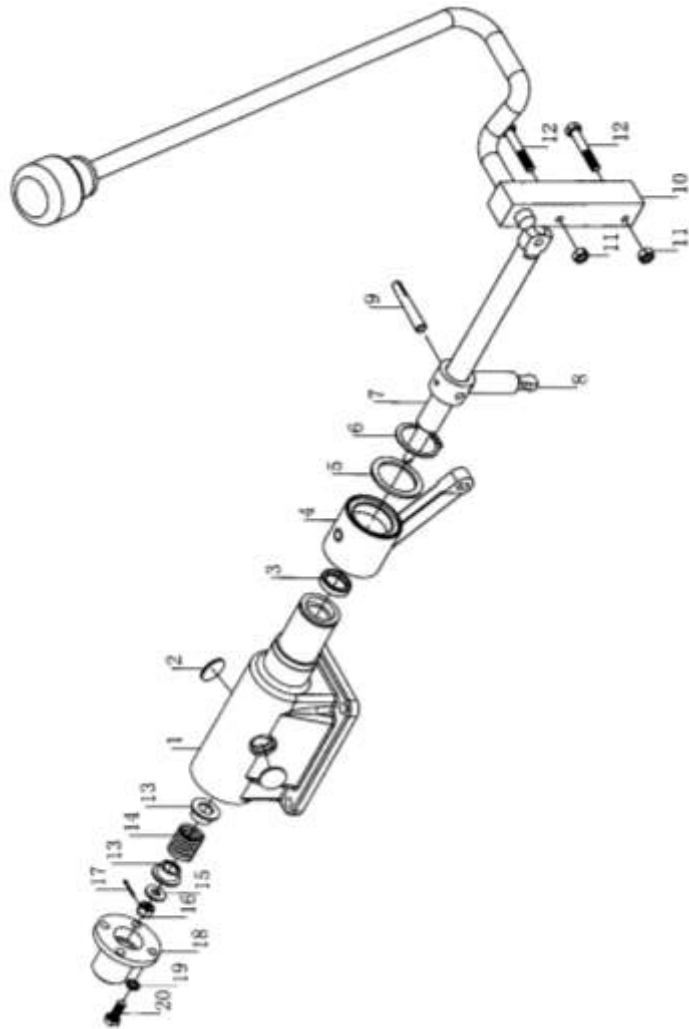
4.0-X5t
机械变速箱 Mechanical gear-box



序号 Item	物料码 Part No.	名称 Description	数量 Qty	备注或适用车型 Remarks or Serial No.
15	SXQJC-B	档位开关 shift switch	3	
16	H400-122014-001	气帽座 Seat, gas cap	1	
17	H400-122014-002	气帽盖 Cover, gas cap	1	

图 15 换挡器 (绍兴)
Fig.15 Shift unit (ShaoXin)

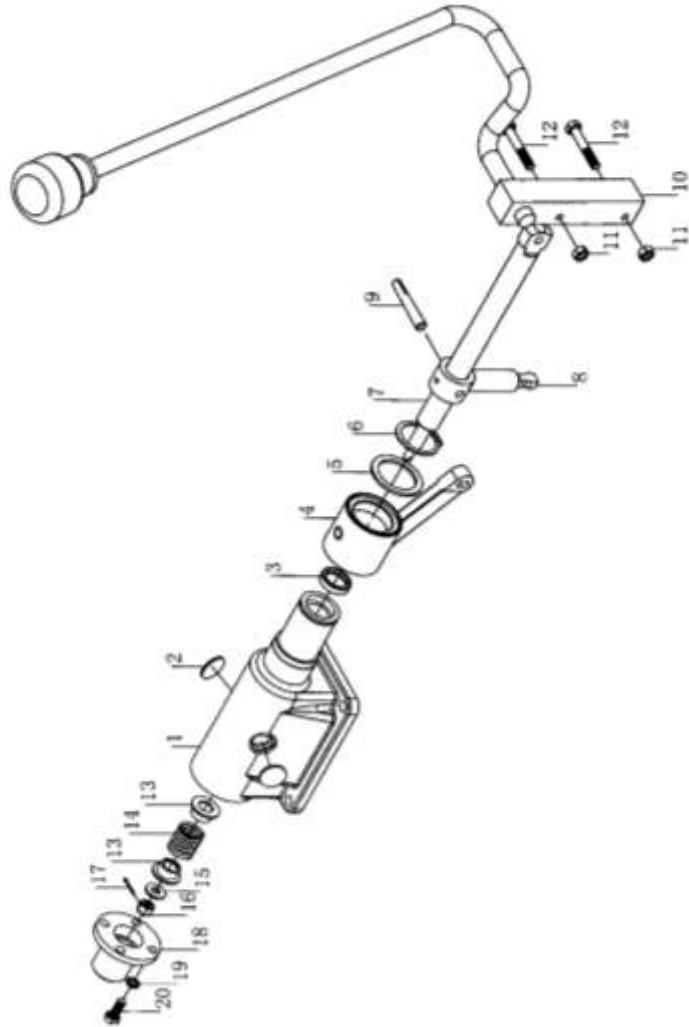
4.0-X5t
机械变速箱 Mechanical gear-box



序号 Item	物料码 Part No.	名称 Description	数量 Qty	备注或适用车型 Remarks or Serial No.
A1	H400-123000-000	换挡器总成 Shift unit assy	1	包含/INC:1-20
1	H400-123002-000	支架 Bracket	1	
2	Q27126	塞片 Plate	2	
3	GB13871-92-22×30×7	密封圈 22×30×7 ring	1	
4	H400-123006-000	套 Bushing	1	
5	H400-123008-000	垫片 Gasket	1	
6	GB894.1-86-40	轴用弹性挡圈 40 Snap ring	1	
7	H400-123003-000	轴 Shaft	1	
8	H400-123001-000	顶盖拨叉 Yoke	1	
9	GB877-86-8×60	开尾圆锥销 8×60 Pin	1	
10	H400-123100-000A	换挡手柄总成 Shifting handle assy	1	
11	GB6170-86-M8	螺母 M8 Bolt	2	
12	GB5782-86-M8×50	螺栓 M8×50 Bolt	2	
13	H400-123013-000	挡圈 Snap ring	2	
14	H400-123012-000	弹簧 Spring	1	

图 15 换挡器 (绍兴)
Fig.15 Shift unit (ShaoXin)

4.0-X5t
机械变速箱 Mechanical gear-box



序号 Item	物料码 Part No.	名称 Description	数量 Qty	备注或适用车型 Remarks or Serial No.
15	H400-123009-000	垫片 Gasket	1	
16	GB6178-86-M8	开槽螺母 M8 Bolt	1	
17	GB91-86-Φ 2×16	开口销Φ 2×16 pin	1	
18	H400-123004-000	盖 Cover	1	
19	GB93-87-8	垫圈 8 Washer	4	
20	GB5783-86-M8×20	螺钉 M8×20 Screw	4	

图 16 液力变速箱(其 1) (绍兴) (ShaoXin)
Fig.16 Hydrodynamic gear-box(part-1)

4.0-X5t
液力变速箱 Hydrodynamic gear-box

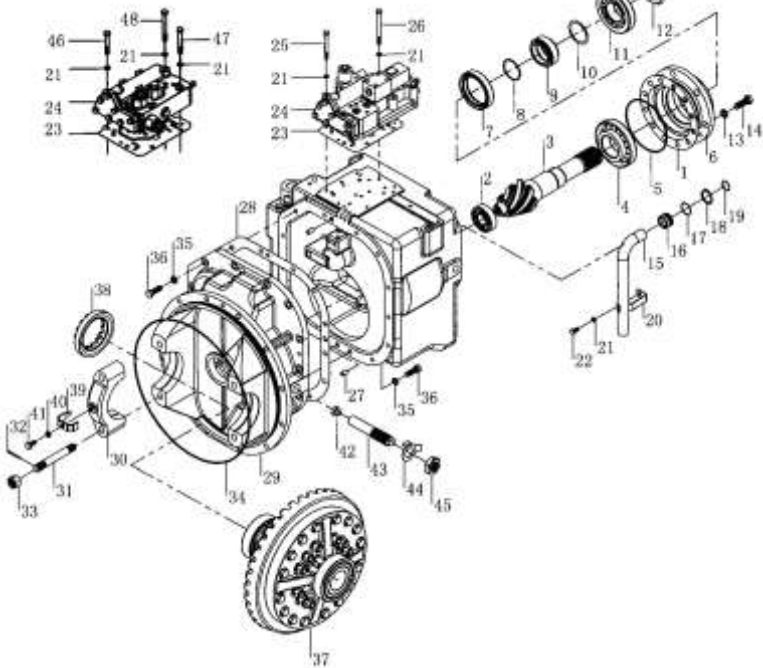
	序号 Item	物料码 Code No.	名称 Description	数量 Qty	备注或适用车型 Remarks or Serial No.
	1	YQX45-0012	调整垫片 Adjusting shim	按需 need	
	2	GB283-94-NUP306EM	轴承 NUP306EM Bearing	1	
	3	YQX45-0401	主动弧齿锥齿轮 Spiral bevel gear, initiative	1	
	4	GB297-94-31312	轴承 31312 Bearing 31312	1	
	5	GB1235-76-150x3.1	O 形密封圈 150x3.1 O-ring 150x3.1	1	
	6	YQX45-0402	轴承座 Cap,bearing	1	
	7	YQX45-0410	双向油封 Two-way oil seal	1	
	8	GB1235-76-60x3.1	O 形密封圈 60x3.1 O-ring 60x3.1	1	
	9	YQX45-0403	隔套 Spacer	1	
	10	YQX45-0404	调整垫 Adjustable pad	按需 need	
	11	GB297-94-31311	轴承 31311 Bearing 31311	1	
	12	YQX45-0405	螺母 Nut	1	
	13	GB93-87-14	弹簧垫圈 14 Spring washer 14	6	
	14	GB5786-86- M14x1.5x40	螺栓M14x1.5x40 Bolt M14x1.5x40	6	
	15	YQX45-0601	油管 Oil pipe	1	

图 16 液力变速箱(其 1) (绍兴) (ShaoXin)
Fig.16 Hydrodynamic gear-box(part-1)

4.0-X5t
液力变速箱 Hydrodynamic gear-box

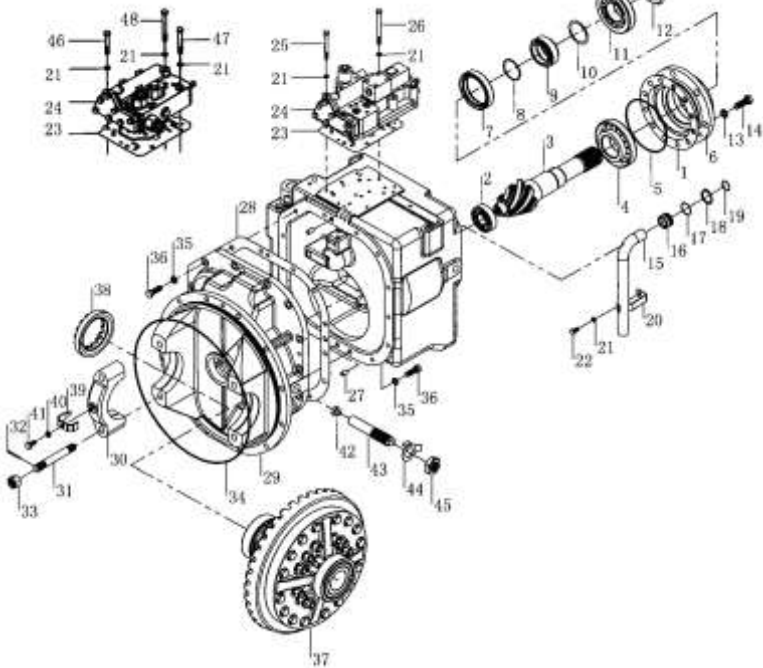
	序号 Item	物料码 Code No.	名称 Description	数量 Qty	备注或适用车型 Remarks or Serial No.
	16	YQX45-0602	连接块 Connection bloc	1	
	17	GB3452.1-92-31.5×1.8	O 形密封圈 31.5×1.8 O-ring 31.5×1.8	1	
	18	GB894.1-86-35	轴用弹性挡圈 35 circlip for shaft 35	1	
	19	GB3452.1-92-25×1.8	O 形密封圈 25×1.8 O-ring 25×1.8	1	
	20	YQX45-0019	固定卡板 Fixed card board	1	
	21	GB93-87-8	弹簧垫圈 8 Spring washer 8	9	
	22	GB5783-86-M8×16	螺栓 M8×16 Bolt M8×16	1	
	23	YQX45-0003	纸垫 Paper washer	1	
	24	YQXD45-4000	控制阀总成 YQXD Control valve assy	1	电磁阀换向 Solenoid valve Commutation
	24	YQX45-4000	控制阀总成 YQX Control valve assy	1	手动换向 Manual control Commutation
	25	GB5782-86-M8×80	螺栓 M8×80 Bolt M8×80	7	YQXD45 II HG
	26	GB5782-86-M8×100	螺栓 M8×100 Bolt M8×100	1	YQXD45 II HG
	27	GB119-86-B10×20	圆柱销 B10×20 Straight pin B10×20	2	
	28	YQX45-0004	纸垫 Paper washer	1	
29	YQX45-0301	减速架 Case, reducer	1		

图 16 液力变速箱(其 1) (绍兴) (ShaoXin)
Fig.16 Hydrodynamic gear-box(part-1)

4.0-X5t
液力变速箱 Hydrodynamic gear-box

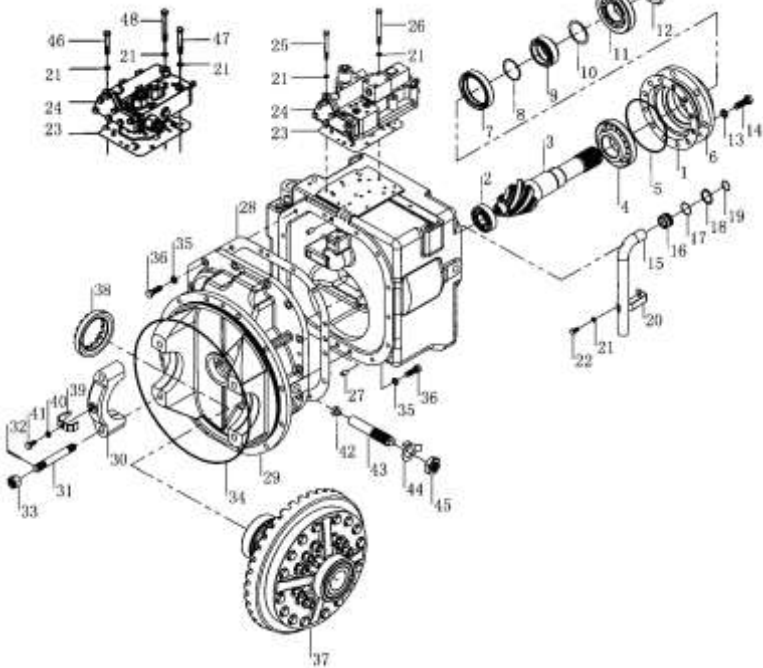
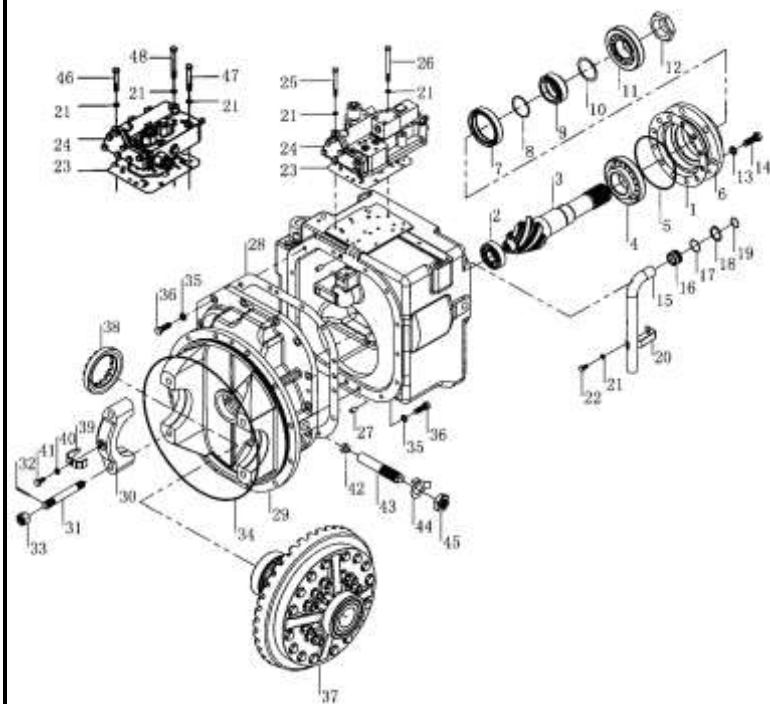
	序号 Item	物料码 Code No.	名称 Description	数量 Qty	备注或适用车型 Remarks or Serial No.
	30	YQX45-0302	轴承座 Bearing bracket	2	
	31	YQX45-0303	双头螺柱 Double-screw bolt	4	
	32	GB91-86-4×36	开口销 4×36 split pin 4×36	4	
	33	GB9457-88-M18×1.5	螺母 M18×1.5 Nut M18×1.5	4	
	34	YQX45-0304	O 形密封圈 O-ring	1	
	35	GB93-87-12	弹簧垫圈 12 Spring washer 12	14	
	36	GB5786-86-M12x1.25x35	螺栓M12x1.25x35 Bolt M12x1.25x35	14	
	37	YQX45-2000	差速器总成 Differential mechanism	1	见图 19 See Fig.19
	38	YQX45-0007	调整螺母 adjusting nut	2	
	39	YQX45-0006	锁片 locking plate	2	
	40	GB93-87-10	弹簧垫圈 10 Spring washer 10	2	
	41	YQX45-0005	六角头带孔螺栓 hexagon-headed bolt	2	头部带孔 hexagon head bolt with hole
	42	YQX45-0008	滑块 slide block	1	
	43	YQX45-0009	螺柱 Double-screw bolt	1	
44	YQX45-0010	止动垫圈 tab washer	1		

图 16 液力变速箱(其 1) (绍兴) (ShaoXin)
Fig.16 Hydrodynamic gear-box(part-1)

4.0-X5t
液力变速箱 Hydrodynamic gear-box



序号 Item	物料码 Code No.	名称 Description	数量 Qty	备注或适用车型 Remarks or Serial No.
45	GB6173-86-M27×2	螺母 M27×2 Nut M27×2	1	
46	GB5782-86-M8×55	螺栓 M8×55 Bolt M8×55	3	YQX45 II HC, YQX45 II HA, YQX45 II HE
47	GB5782-86-M8×65	螺栓 M8×65 Bolt M8×65	4	YQX45 II HC, YQX45 II HA, YQX45 II HE
48	GB5782-86-M8×80	螺栓 M8×80 Bolt M8×80	1	YQX45 II HC, YQX45 II HA, YQX45 II HE

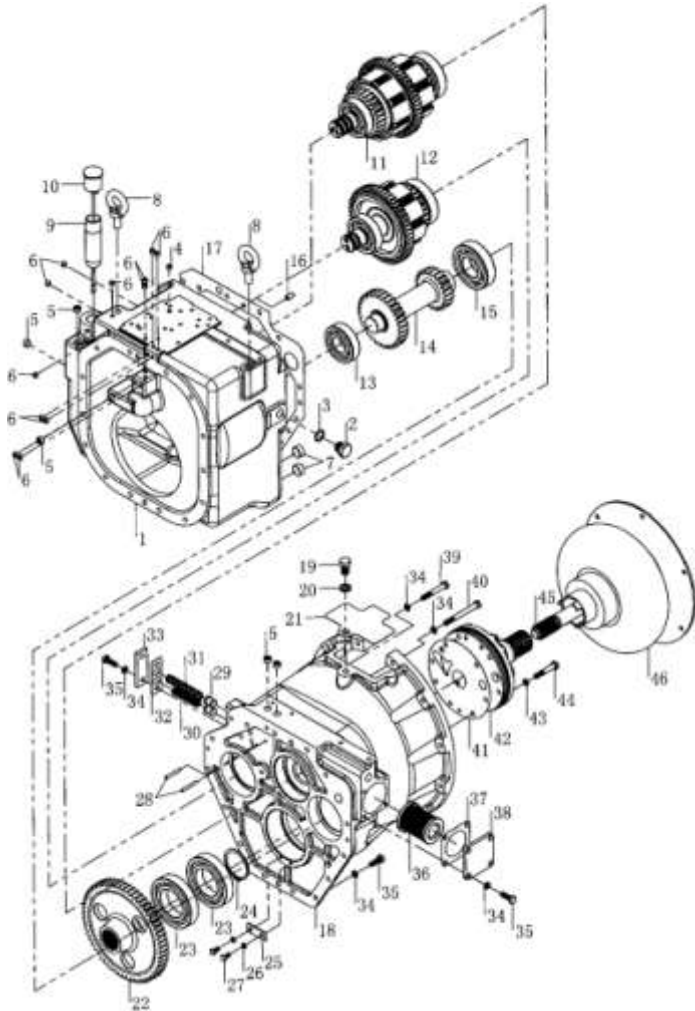
图 17 液力变速箱(其 2) (绍兴) (ShaoXin)
Fig.17 Hydrodynamic gear-box(part-2)

4.0-X5t
液力变速箱 Hydrodynamic gear-box

序号 Item	物料码 Code No.	名称 Description	数量 Qty	备注或适用车型 Remarks or Serial No.
1	YQX45-0101	箱体 Case, gear-box	1	
2	YQX45-0102	螺塞 Plug screw	1	
3	Q20-03-22×28×2	密封圈 22×28×2 seal ring 22×28×2	1	
4	YQX45-0020	阻尼塞 Plug,Damping	1	
5	YQX100-0025	螺塞 R3/8 Plug screw R3/8	6	
6	YQX100-0024	螺塞 R1/8 Plug screw R1/8	12	
7	YQX100-0019	螺塞 R3/4 Plug screw R3/4	2	
8	GB825-88-M16×35	吊环螺钉 M16×35 lifting bolt M16×35	2	
9	YQX45-0103	进油管 Oil inlet	1	
10	YQX30-0400	加油器盖组件 Oiler cover assy	1	
11	YQX45-1000	双向离合器总成 Double clutch assy	1	见图 20 See Fig.20
12	YQX45-5000	单向离合器总成 One-way clutch	1	见图 21 See Fig.21
13	GB276-94-6308	轴承 6308 Bearing 6308	1	
14	YQX45-0011	惰轮轴 Idler shaft	1	
15	GB276-94-6310	轴承 6310 Bearing 6310	1	

图 17 液力变速箱(其 2) (绍兴) (ShaoXin)
Fig.17 Hydrodynamic gear-box(part-2)

4.0-X5t
液力变速箱 Hydrodynamic gear-box



序号 Item	物料码 Code No.	名称 Description	数量 Qty	备注或适用车型 Remarks or Serial No.
16	GB119-86-B10×20	圆柱销 B10×20 Straight pin B10×20	2	
17	YQX45-0002	纸垫 Paper washer	1	
18	YQX45 II HG-0201	变矩器壳体 Case,Torque-converter	1	YQX45 II HG YQXD45 II HG
18	YQX45 II HC-0201	变矩器壳体 Case,Torque-converter	1	YQX45 II HC YQXD45 II HC
18	YQX45 II HA-0201	变矩器壳体 Case,Torque-converter	1	YQX45 II HA YQXD45 II HA
18	YQX45-0201	变矩器壳体 Case,Torque-converter	1	YQX45 II HE YQXD45 II HE
19	GB5783-86-M16×25	螺栓 M16×25 Bolt M16×25	1	
20	GB93-87-16	弹簧垫圈 16 Spring washer 16	1	
21	YQX45-0202	盖板 Cover plate	1	
22	YQX45-0014	输出齿轮 Gear,Output	1	
23	GB276-94-6214	轴承 6214 Bearing 6214	2	
24	GB894.1-86-70	轴用弹性挡圈 70 Circlips For shaft 70	1	
25	YQX45-0015	固定板 Fixed plate	1	
26	GB93-87-8	弹簧垫圈 8 Spring washer 8	2	
27	GB5783-86- M8×16	螺栓 M8×16 Bolt M8×16	2	

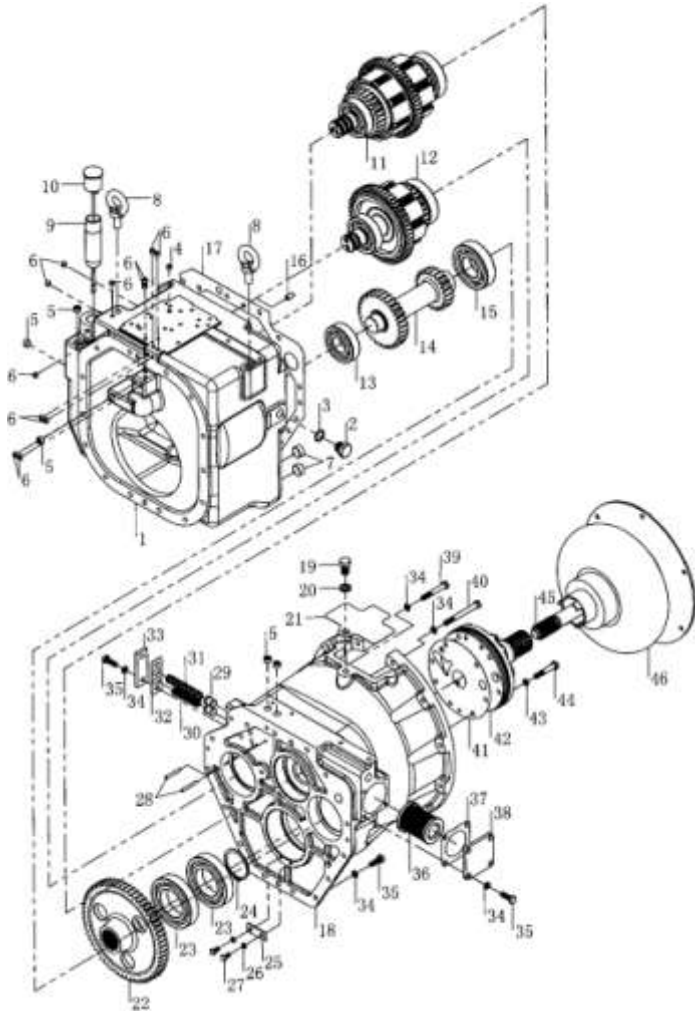
图 17 液力变速箱(其 2) (绍兴) (ShaoXin)
Fig.17 Hydrodynamic gear-box(part-2)

4.0-X5t
液力变速箱 Hydrodynamic gear-box

序号 Item	物料码 Code No.	名称 Description	数量 Qty	备注或适用车型 Remarks or Serial No.
28	YQX100-0031	销子 Pin	2	
29	YQX100-0026	活塞 Piston	2	
30	YQX100-0030	弹簧 Spring	1	
31	YQX100-0029	弹簧 Spring	1	
32	YQX100-0028	密封垫 Gasket	1	
33	YQX100-0027	盖 Cover	1	
34	GB93-87-10	弹簧垫圈 10 Spring washer 10	21	
35	GB5786-86-M10x1.25x30	螺栓 M10x1.25x30 Bolt M10x1.25x30	16	
36	YQX45-0500	滤油器 Oil filter	1	
37	YQX45-0018	纸垫 Paper washer	1	
38	YQX45-0017	盖板 Cover plate	1	
39	GB5785-86-M10x1.25x70	螺栓 M10x1.25x70 Bolt M10x1.25x70	2	
40	GB5785-86-M10x1.25x100	螺栓 M10x1.25x100 Bolt M10x1.25x100	3	
41	YQX45-0001	纸垫 Paper washer	1	
42	YQX45-3000	油泵总成 Charging pump,assy	1	见图 22 See Fig.22

图 17 液力变速箱(其 2) (绍兴) (ShaoXin)
Fig.17 Hydrodynamic gear-box(part-2)

4.0-X5t
液力变速箱 Hydrodynamic gear-box



序号 Item	物料码 Code No.	名称 Description	数量 Qty	备注或适用车型 Remarks or Serial No.
43	JB982-77-10	组合密封垫 10 Combination gasket 10	7	
44	YQX45-0016	螺栓 Bolt	7	
45	YQX45-0013	涡轮轴 Turbine shaft	1	
46	YQX45 II HG-6000	液力变矩器 Torque-converter	1	YQX45 II HG YQXD45 II HG
46	YQX45 II HC-6000	液力变矩器 Torque-converter	1	YQX45 II HC YQXD45 II HC
46	YQX45 II HA-6000	液力变矩器 Torque-converter	1	YQX45 II HA YQXD45 II HA
46	YQX45 II HE-6000	液力变矩器 Torque-converter	1	YQX45 II HE YQXD45 II HE

图 18-1 控制阀总成(绍兴)

Fig.18-1 Control valve assy (ShaoXin)

4.0-X5t
液力变速箱 Hydrodynamic gear-box
(电磁阀换向) (Solenoid valve Commutation)

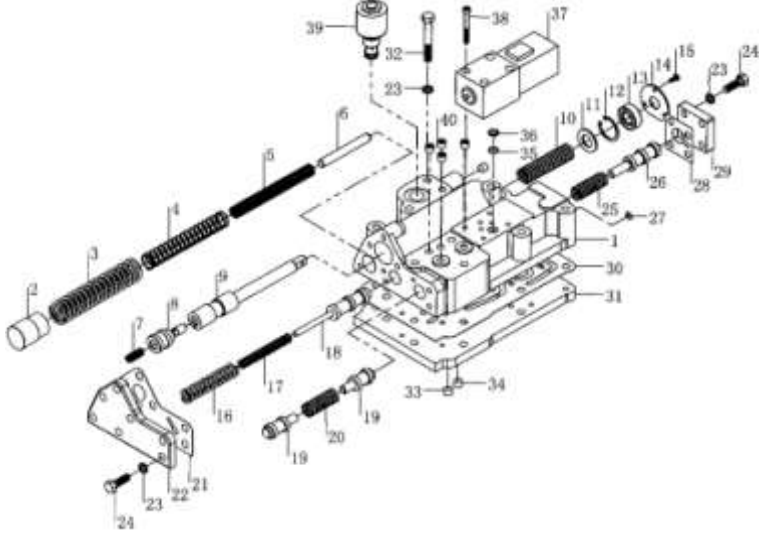
	序号 Item	物料码 Code No.	名称 Description	数量 Qty	备注或适用车型 Remarks or Serial No.
	A1	YQXD45-4000-HG24	控制阀总成 24V Control valve assy	1	包含/INC:1-40
	A1	YQXD45-4000-HG12	控制阀总成 12V Control valve assy	1	包含/INC:1-40
	1	YQXD45-4101	阀体 Body, valve	1	
	2	YQX100-4023	活塞 Piston	1	
	3	YQX100-4022	弹簧 Spring	1	
	4	YQX100-4026	弹簧 Spring	1	
	5	YQX100-4024	弹簧 Spring	1	
	6	GB119-86-B10×80	圆柱销 B10×80 Straight pin B10×80	1	
	7	YQX30-5002	弹簧 Spring	1	
	8	YQX45-4002	滑阀 Slide valve	1	
	9	YQX45-4004	微动阀杆 Rod, inching valve	1	
	10	YQX45-4003	弹簧 Spring	1	
	11	GB97.1-85-16	垫圈 16 Washer 16	1	
12	GB893.1-86-30	挡圈 30 Retaining ring 30	1		
13	HG4-692-67-SD14×30×10	油封 SD14×30×10 Oil seal SD14×30×10	1		

图 18-1 控制阀总成(绍兴)

Fig.18-1 Control valve assy (ShaoXin)

4.0-X5t
液力变速箱 Hydrodynamic gear-box
(电磁阀换向) (Solenoid valve Commutation)

序号 Item	物料码 Code No.	名称 Description	数量 Qty	备注或适用车型 Remarks or Serial No.
14	YQXD100-4118	压盖 Gland	1	
15	GB67-2000-M4×10	螺钉 M4×10 Screw M4×10	3	
16	YQX100-4016	弹簧 Spring	1	
17	YQX100-4015	弹簧 Spring	1	
18	YQX100-4014	微调阀芯 valve core, Reset valve	1	
19	YQXD100-4102	活塞 I Piston I	2	
20	YQXD100-4107	弹簧 Spring	1	
21	YQXD45-4103	衬垫 I Liner I	1	
22	YQXD45-4102	盖 Cover	1	
23	GB93-87-8	垫圈 8 Washer 8	14	
24	GB5782-86-M8×25	螺栓 M8×25 Bolt M8×25	11	
25	YQXD100-4103	弹簧 Spring	1	
26	YQXD45-4104	活塞 Piston	1	
27	GB1235-76-10×1.9	O 形密封圈 10×1.9 O-ring 10×1.9	1	
28	YQXD45-4105	衬垫 I Liner I	1	

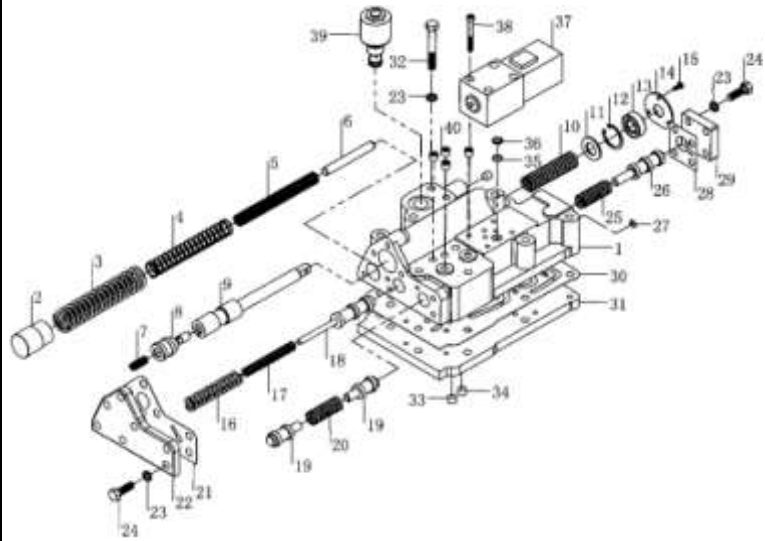


图 18-1 控制阀总成(绍兴)

Fig.18-1 Control valve assy (ShaoXin)

4.0-X5t
液力变速箱 Hydrodynamic gear-box
(电磁阀换向) (Solenoid valve Commutation)

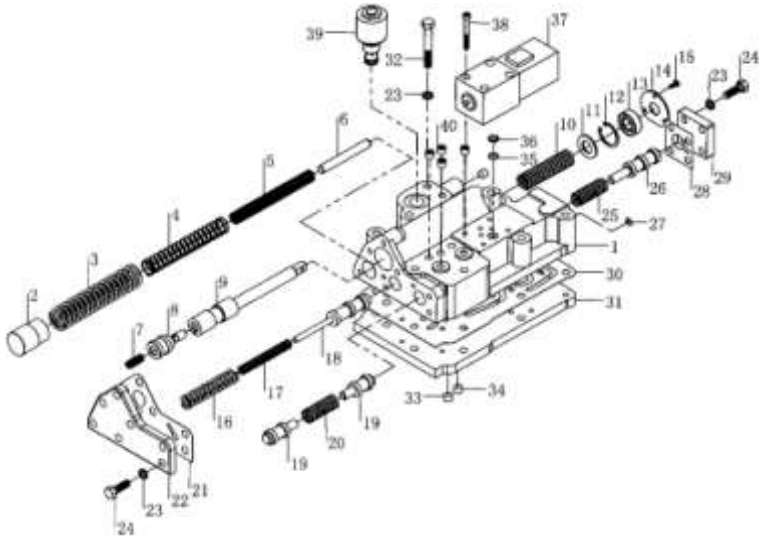
	序号 Item	物料码 Code No.	名称 Description	数量 Qty	备注或适用车型 Remarks or Serial No.
	29	YQXD100-4104	盖 Cover I	1	
	30	YQXD45-4106	衬垫 II Liner II	1	
	31	YQXD45-4105	垫板 backing plate	1	
	32	GB5782-86-M8×58	螺栓 M8×58 Bolt M8×58	3	
	33	YQXD100-4114	螺堵 II (Φ 1.2) Plug Φ 1.2	1	
	34	YQXD100-4115	螺堵 II (Φ 1.7) Plug Φ 1.7	1	
	35	GB1235-76-12x1.9	O 形密封圈 12x1.9 O-ring 12x1.9	1	
	36	YQXD45-4120	滤网 Filter screen	1	
	37	YQX30D-4200	12V 电磁阀 (方向) 12V Solenoid Valve, Direction	1	YQXD45 II HG12
	37	YQXD100-4200	24V 电磁阀 (方向) 24V Solenoid Valve, Direction	1	YQXD45 II HA YQXD45 II HC YQXD45 II HE YQXD45 II HG24
38	GB70-85-M5×45	螺钉 M5×45 Screw M5×45	4		
39	YQXD100HA-4300	12V 电磁阀 (速度) 12V Solenoid valve, speed	1	YQXD45 II HG12	

图 18-2 控制阀总成(绍兴)
Fig.18-2 Control valve assy (ShaoXin)

4.0-X5t
液力变速箱 Hydrodynamic gear-box
(手动换向) (Manual control Commutation)

序号 Item	物料码 Code No.	名称 Description	数量 Qty	备注或适用车型 Remarks or Serial No.
A1	YQX45-4000	控制阀总成 Control valve assy	1	
1	YQX45-4001	阀体 Body, valve	1	
2	YQX45-4005	操纵阀杆 Control valve rod	1	
3	YQX100-4013	堵头 Plug	1	
4	JK611T	倒车灯开关 Switch, Reversing light	2	
5	JB982-77-10	组合密封垫 10 Gasket 10	1	
6	YQX100-4012	定位螺钉 setting screw	1	
7	GB308-84-10.3188G400b	钢球 10.3188G400b Steel ball	1	
8	YQX100-4017	弹簧 Spring	1	
9	JB982-77-14	组合密封垫圈 14 Washer 14	1	
10	YQX100-4018	螺塞 Plug screw	1	
11	HG4-692-67-SD14×30×10	油封 SD14×30×10 Oil seal SD14×30×10	2	
12	YQX100-4028	压盖 Gland	2	
13	GB67-2000-M3×8	螺钉 M3×8 Screw M3×8	6	
14	YQX100-4014	调节阀芯 valve core	1	

图 18-2 控制阀总成(绍兴)
Fig.18-2 Control valve assy (ShaoXin)

4.0-X5t
液力变速箱 Hydrodynamic gear-box
(手动换向) (Manual control Commutation)

序号 Item	物料码 Code No.	名称 Description	数量 Qty	备注或适用车型 Remarks or Serial No.
15	YQX100-4015	弹簧 Spring	1	
16	YQX100-4016	弹簧 Spring	1	
17	GB119-86-B10×80	圆柱销 B10×80 Straight pin B10×80	1	
18	YQX100-4022	弹簧 Spring	1	
19	YQX100-4026	弹簧 Spring	1	
20	YQX100-4024	弹簧 Spring	1	
21	YQX100-4023	活塞 Piston	1	
22	YQX45-4003	弹簧 Spring	1	
23	YQX45-4004	微动阀杆 Rod, inching valve	1	
24	YQX45-4002	滑阀 Slide valve	1	
25	YQX30-5003	弹簧 Spring	1	
26	YQX100-4002	密封垫 Gasket	1	
27	YQX100-4001	盖 cover	1	
28	GB93-87-8	弹簧垫圈 8 spring washer 8	7	
29	GB5783-86-M8×18	螺栓 M8×18 Bolt M8×18	1	

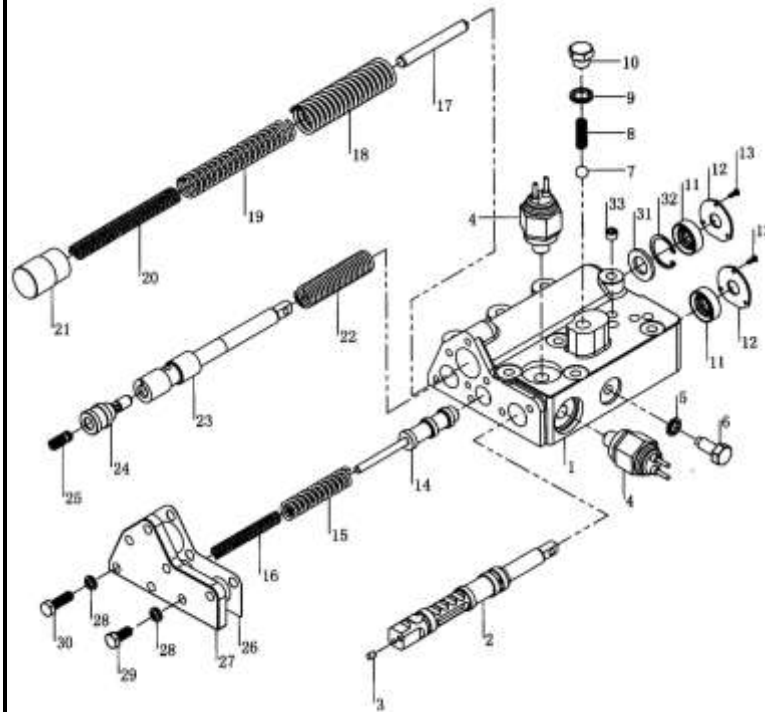


图 19 差速器 (绍兴)
Fig.19 Differential (ShaoXin)

4.0-X5t
液力变速箱 Hydrodynamic gear-box

序号 Item	物料码 Code No.	名称 Description	数量 Qty	备注或适用车型 Remarks or Serial No.
A1	YQX45-2000	差速器总成 Differential mechanism	1	包含/INC:1-13
1	YQX45-2005	十字架 Cross	1	
2	YQX45-2006	行星齿轮 Planetary gear	4	
3	YQX45-2004	止推垫圈 Thrust washer	4	
4	YQX45-2001	半轴齿轮 Axle shaft gear	2	
5	YQX45-2002	垫圈 Washer	2	
6	YQX45-2102	右差速器壳 Case, Differential R,H	1	
7	YQX45-2101	左差速器壳 Case, Differential L,H	1	
8	YQX45-2007	螺栓 Bolt	12	
9	GB93-87-14	弹簧垫圈 14 Spring washer 14	28	
10	GB6176-86-M14x1.5	螺母 M14x1.5 Nut M14x1.5	12	
11	YQX45-2003	被动弧齿锥齿轮 Spiral bevel gear, passive	1	
12	GB5785-86- M14x1.5x50	螺栓 M14x1.5x50 Bolt M14x1.5x50	16	
13	GB297-94-33016	轴承 33016 Bearing 33016	2	

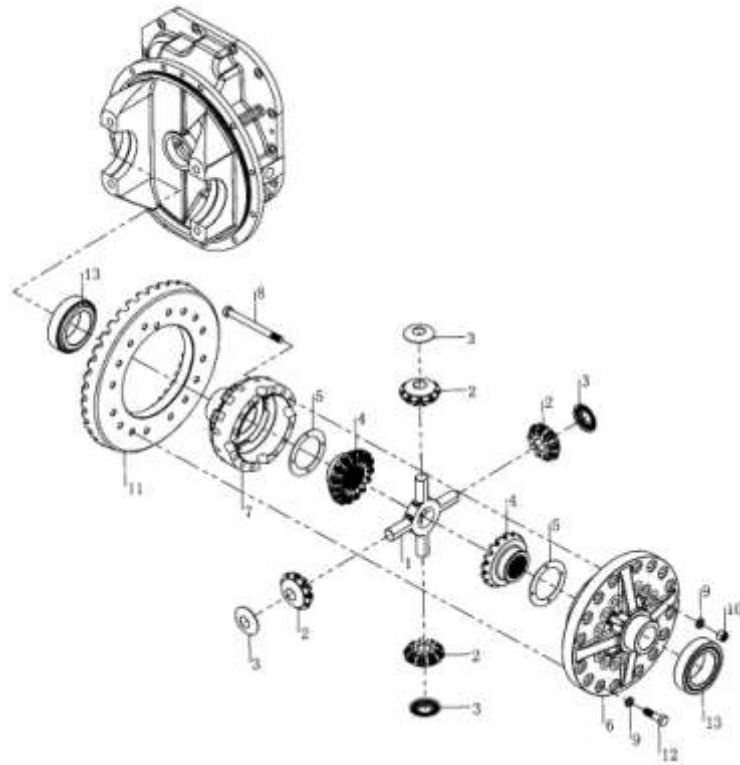
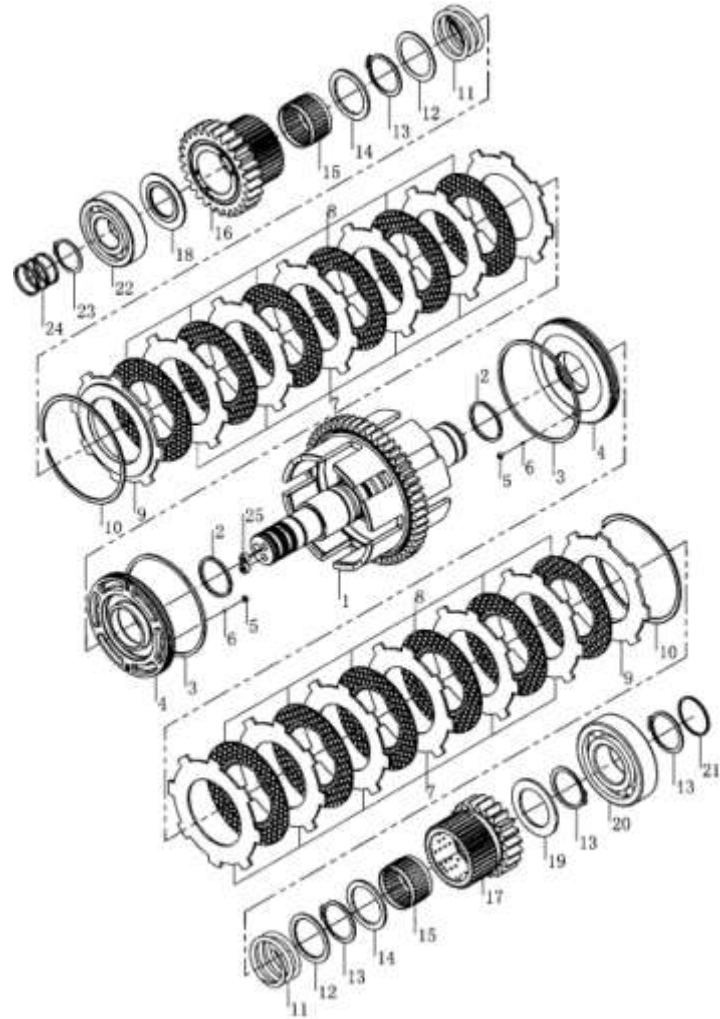


图 20 双向离合器总成(液力式) (绍兴)
Fig.20 Two-way clutch(tor-con type)
(ShaoXin)

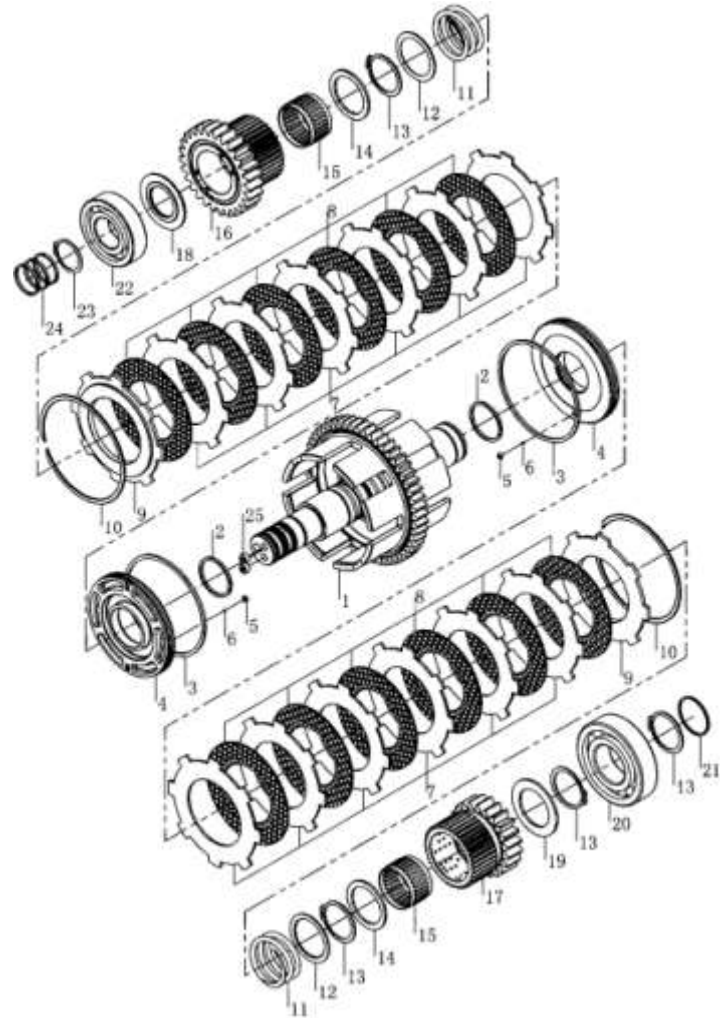
4.0-X5t
液力变速箱 Hydrodynamic gear-box



序号 Item	物料码 Code No.	名称 Description	数量 Qty	备注或适用车型 Remarks or Serial No.
A1	YQX45-1000	双向离合器总成 Double clutch assy	1	包含/INC:1-25
1	YQX45-1100	双向离合器毂组件 Double clutch hub assy	1	
2	YQX100-1007	密封环 A Seal ring A	2	
3	YQX100-1008	密封环 B Seal ring B	2	
4	YQX45-1301	离合器活塞 Piston, clutch	2	
5	YQX30-1010	堵塞 Plug	2	
6	GB308-89-3.1750 G200b	钢球 3.1750 G200b Steel ball	2	
7	YQX45-1006	外摩擦片 Friction disc, Outside	12	
8	YQX45-1200	内摩擦片 Friction disc, Internal	12	
9	YQX45-1001	端板 End-plate	2	
10	YQX100-1004	弹性挡圈 Elastic collar	2	
11	YQX45-1004	弹簧 Spring	2	
12	YQX100-1012	弹簧座 Spring seat	2	
13	GB894.1-86-50	挡圈 50 Retaining ring 50	4	
14	YQX100-1013	止推环 A Thrust collar A	2	

图 20 双向离合器总成(液力式) (绍兴)
 Fig.20 Two-way clutch(tor-con type)
 (ShaoXin)

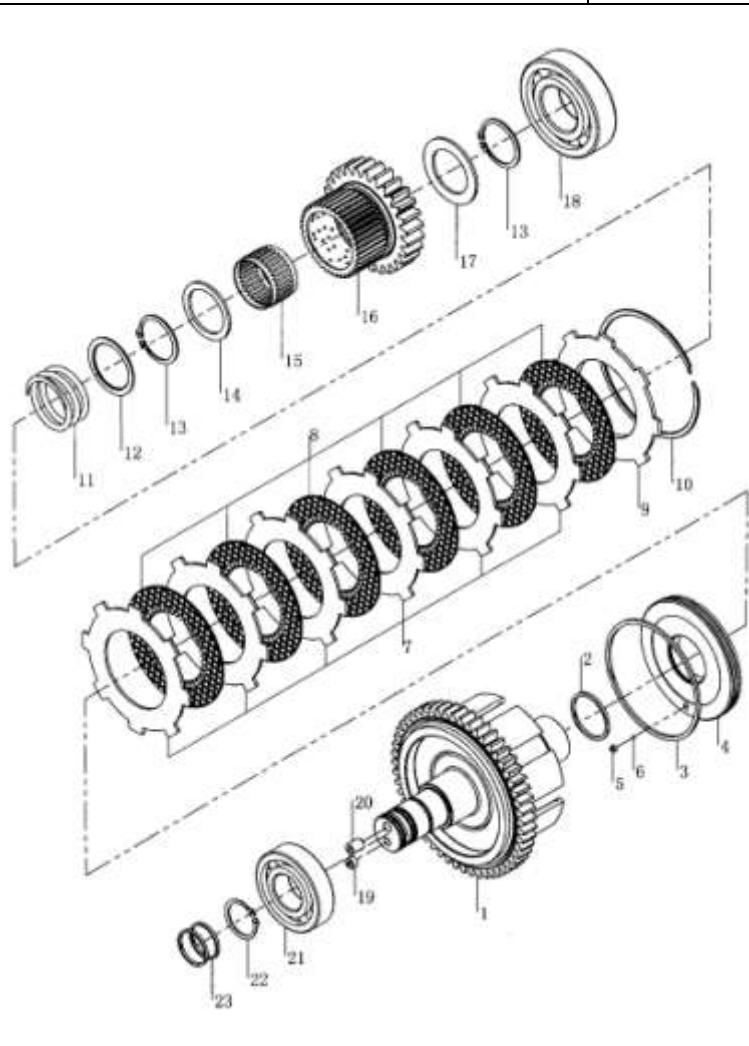
4.0-X5t
 液力变速箱 Hydrodynamic gear-box



序号 Item	物料码 Code No.	名称 Description	数量 Qty	备注或适用车型 Remarks or Serial No.
15	GB5846-86-K505735	滚针轴承 K505735 Bearing,needle	2	
16	YQX45-1003	前进 I 档齿轮 Gear, Forward I file	1	
17	YQX45-1005	后退档齿轮 Gear, Reverse gears	1	
18	YQX45-1007	止推垫 Gasket	1	
19	YQX100-1001	止推环 B Thrust collar B	1	
20	GB276-94-6310	轴承 6310 Bearing 6310	1	
21	YQX45-1002	密封圈 seal ring	1	
22	GB276-94-6308	轴承 6308 Bearing 6308	1	
23	GB894.1-86-40	挡圈 40 Retaining ring 40	1	
24	YQX100-1017	密封环 C Seal ring C	3	
25	YQX100-0024	螺塞 R1/8 Plug screw R1/8	2	

图 21 单向离合器总成(液力式) (绍兴)
Fig.21 One-way clutch(tor-con type)
(ShaoXin)

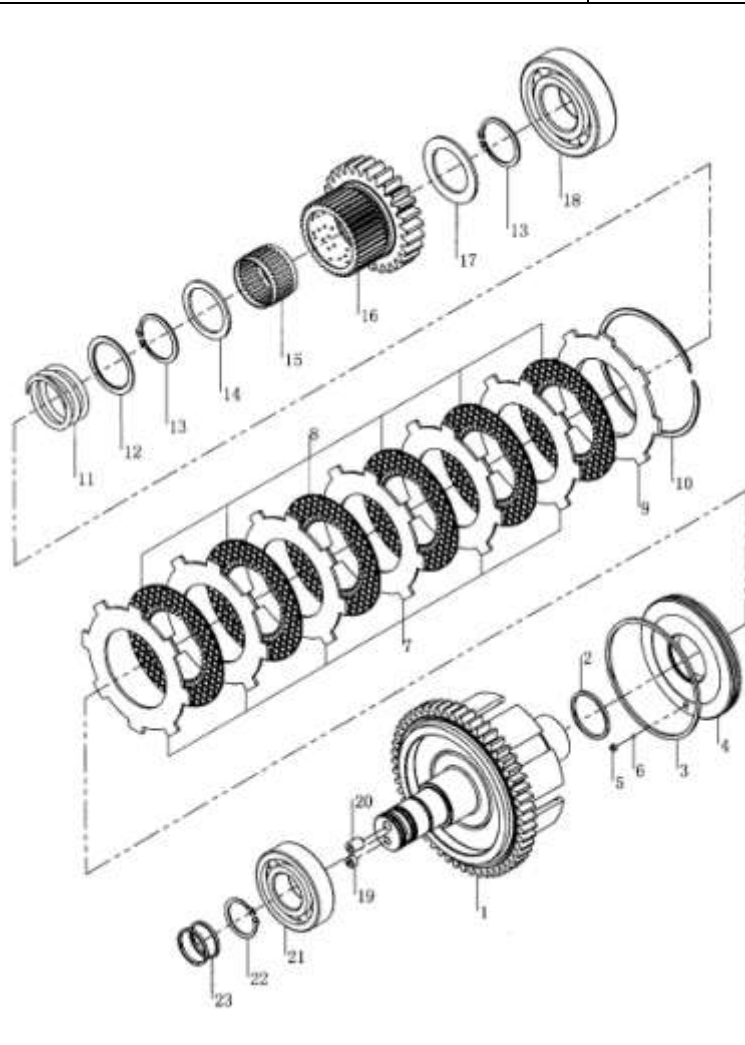
4.0-X5t
液力变速箱 Hydrodynamic gear-box



序号 Item	物料码 Code No.	名称 Description	数量 Qty	备注或适用车型 Remarks or Serial No.
A1	YQX45-5000	单向离合器总成 One-way clutch	1	包含/INC:1-23
1	YQX45-5100	单向离合器毂组件 One-way clutch	1	
2	YQX100-1007	密封环 A Seal ring A	1	
3	YQX100-1008	密封环 B Seal ring B	1	
4	YQX45-1301	离合器活塞 Piston, clutch	1	
5	YQX30-1010	堵塞 Plug	1	
6	GB308-89-3.1750 G200b	钢球 3.1750 G200b Steel ball	1	
7	YQX45-1006	外摩擦片 Friction disc, Outside	6	
8	YQX45-1200	内摩擦片 Friction disc, Internal	6	
9	YQX45-1001	端板 End-plate	1	
10	YQX100-1004	弹性挡圈 Elastic collar	1	
11	YQX45-1004	弹簧 Spring	1	
12	YQX100-1012	弹簧座 Spring seat	1	
13	GB894.1-86	挡圈 50 Retaining ring 50	2	
14	YQX100-1013	止推环 A Thrust collar A	1	

图 21 单向离合器总成(液力式) (绍兴)
Fig.21 One-way clutch(tor-con type)
(ShaoXin)

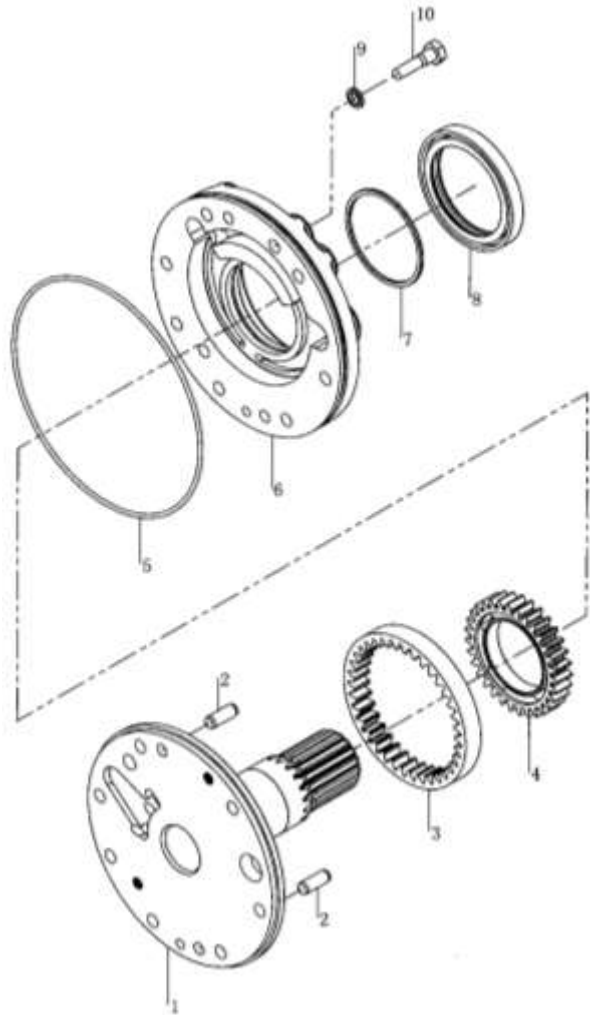
4.0-X5t
液力变速箱 Hydrodynamic gear-box



序号 Item	物料码 Code No.	名称 Description	数量 Qty	备注或适用车型 Remarks or Serial No.
15	GB5846-86-K505735	滚针轴承 K505735 Bearing,needle	1	
16	YQX45-5001	前进 II 档齿轮 Gear, Forward II file	1	
17	YQX100-1001	止推环 B Thrust collar B	1	
18	GB276-94-6310	轴承 6310 Bearing 6310	1	
19	YQX100-0024	螺塞 R1/8 Plug screw R1/8	1	
20	YQX45-5002	堵头 Plug	1	
21	GB276-94-6308	轴承 6308 Bearing 6308	1	
22	GB894.1-86-40	轴用弹性挡圈 40 Retaining ring 40	1	
23	YQX100-1017	密封环 C Seal ring C	2	

图 22 油泵总成 (绍兴)
Fig.22 Charging pump (ShaoXin)

4.0-X5t
液力变变速箱 Hydrodynamic gear-box



序号 Item	物料码 Part No.	名称 Description	数量 Qty	备注或适用车型 Remarks or Serial No.
A1	YQX45-3000	油泵总成 Charging pump	1	包含/INC:1-10
1	YQX45-3002	定子 Stator	1	
2	GB119-86-B10×26	圆柱销 B10×26 Pin, Parallel B8×26	2	
3	YQX45-3001	被动齿轮 Gear, Driven	1	
4	YQX45-3100	主动齿轮组件 Gear, Drive	1	
5	YQX45-3004	O 形密封圈 O-ring	1	
6	YQX45-3003	泵壳 Case, Pump	1	
7	YQX45-3006	密封圈 Gasket	1	
8	GB9877.1-88-B75×100×10	密封圈(F)B75×100×10 Gasket	1	
9	JB982-77-10	组合密封圈 10 Gasket 10	2	
10	YQX45-3005	螺栓 Bolt	2	

第二部分 转向系统目录

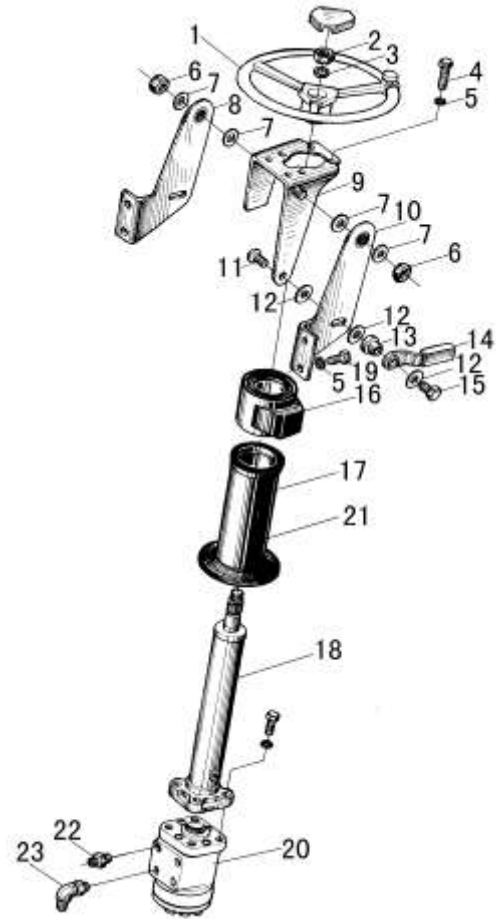
Part II Steering system contents

- | | | | |
|------------------|-------------------|------------------|-----------------------------|
| Ⓐ CPCD40/45-RG24 | Ⓑ CPCD50-RXG24 | Ⓒ CPC40/45-RG31 | Ⓓ CPC50-RXG24 |
| Ⓔ CPCD40/45-RW5 | Ⓕ CPCD50-RXW5 | Ⓖ CPYD40/45-RW17 | Ⓘ CPCD40/45-RW19 |
| Ⓙ CPCD50-RXW19 | Ⓚ CPQYD40/45-RW57 | Ⓛ CPQYD50-RXW57 | Ⓛ ¹ CPYD50-RXW57 |
| | | Ⓞ CPCD40/45-RW35 | Ⓡ CPC45-RG34-S |
| Ⓢ CPYD40/45-RW24 | Ⓣ CPYD50-RXW24 | Ⓤ CPCD40/45-RG42 | Ⓥ CPCD50-RXG42 |
| Ⓧ CPC45-RG43-S | Ⓨ CPC45-RG42-S | | Ⓦ CPC50-RXG42 |

序号 Item	名称 Description	适用车型 Serial No.	页码 Page
图 1 Fig.1	转向装置 Steering device	全部车型 All models of truck	2-1
图 2 Fig. 2	转向管装置 Steering pipe devic	全部车型 All models of truck	2-3
图 3 Fig.3	转向桥（一） Steering axle(I)	全部车型 All models of truck	2-4
图 4 Fig.4	转向桥（二） Steering axle(II)	全部车型 All models of truck	2-8
图 5 Fig.5	转向车轮总成 Steering wheel assy	全部车型 All models of truck	2-9
图 6 Fig.6	转向油缸 Steering cylinder	全部车型 All models of truck	2-10

图 1 转向装置
Fig. 1 Steering device

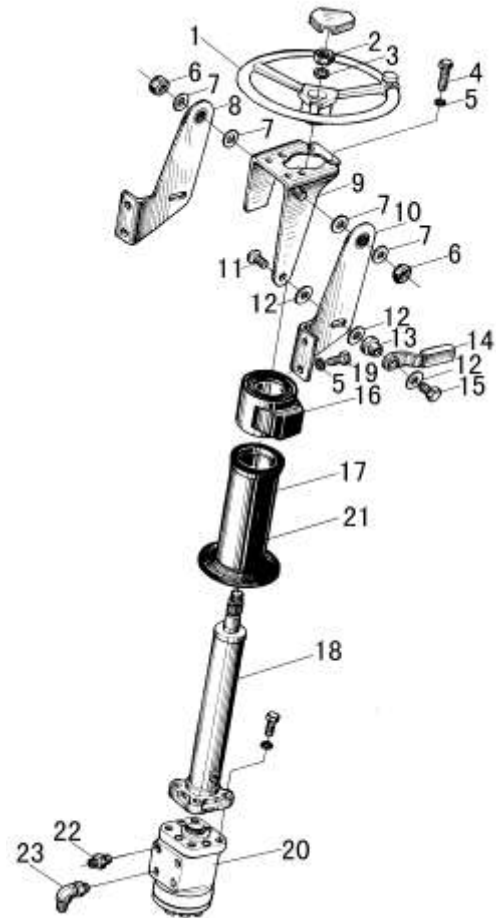
全部车型
All models of truck



序号 Item	物料码 Part No.	名称 Description	数量 Qty	备注或适用车型 Remarks or Serial No.
1	N163-211000-000	方向盘总成 Steering wheel assy	1	
2	G006173-000016-01	螺母 M16×1.5 Nut M16×1.5	1	
3	G000093-000016-00	垫圈 16 Washer 16	1	
4	G005783-010035-00	螺栓 M10×35 Bolt M10×35	4	
5	G000093-000010-00	垫圈 10 Washer 10	8	
6	G006171-000010-01	螺母 M10×1.25 Nut M10×1.25	2	
7	N163-213001-000	垫圈 Washer	4	
8	N163-213300-000	右立板总成 Right clamp assy	1	
9	N163-213200-000	支架体 Bracket	1	
10	R450-211100-000	左立板总成 Left clamp assy	1	
11	N163-210006-000	夹紧螺栓 Bolt	1	
12	N163-210004-000	垫圈 Washer	3	
13	N163-210005-000	夹紧套 Sleeve	1	
14	N163-215000-000	夹紧手柄 Handle	1	≤2007-09
14	N163-215000-001	夹紧手柄 Handle	1	≥2007-09

图 1 转向装置
Fig. 1 Steering device

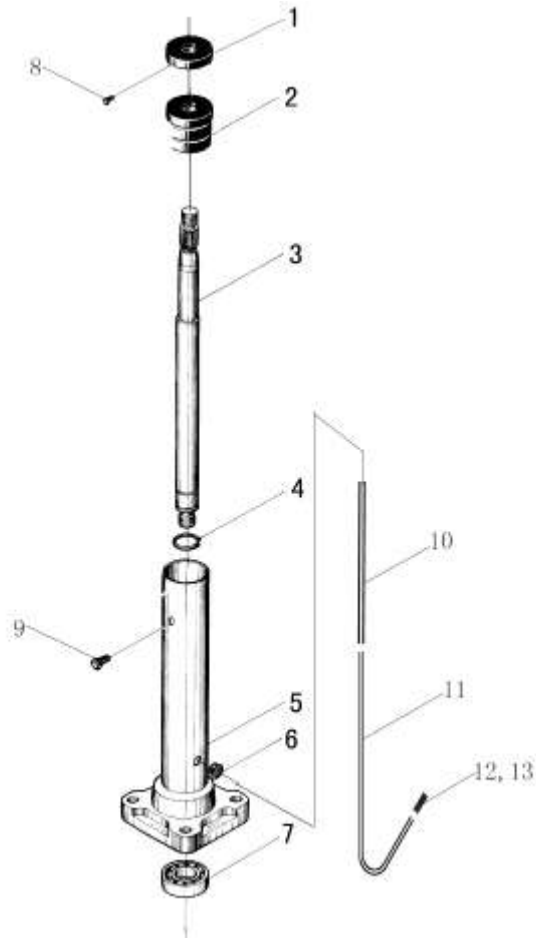
全部车型
All models of truck



序号 Item	物料码 Part No.	名称 Description	数量 Qty	备注或适用车型 Remarks or Serial No.
15	N163-210003-000	螺栓 Bolt	1	
16	N163-210001-000	转向管套 Sleeve	1	用于非电换向叉车 Not electric Commutation
17	N163-210002-000	转向管套 Sleeve	1	用于非电换向叉车 Not electric Commutation
18	N163-212000-000	转向管装置 Steering pipe device	1	≤2004-02
18	N163-212000-001	转向管装置 Steering pipe device	1	≥2004-02
19	G005786-012020-00	螺栓 M10×1.25×20 Bolt M10×1.25×20	4	
20	R450-212000-000	全液压转向器 Orbitrol	1	
21	N163-210007-000	转向管套 Sleeve	1	用于电换向叉车 Electric Commutation
22	N163-611800-000	管接头 Pipe connector	2	≤2007-01
22	N163-214000-000	管接头 Pipe connector	2	≥2007-01
23	N163-216000-000	管接头 Pipe connector	2	

图2 转向管装置
Fig. 2 Steering pipe device

全部车型
All models of truck



序号 Item	物料码 Part No.	名称 Description	数量 Qty	备注或适用车型 Remarks or Serial No.
1	50W-423003A	导电圈 Conductive cover	1	
2	N163-212006-000	绝缘套 Sleeve	1	
3	N163-212005-000	转向轴 Steering shaft	1	
4	G0894P1-000020-00	挡圈 20 Snap ring 20	1	
5	N163-212300-000	转向管总成 Steering pipe assy	1	
6	50W-423005A	护套 Sleeve	1	
7	GT00276-0061904-00	轴承 61904 Bearing	1	
8	G000071-003008-00	螺钉 M3x8 Screw M3x8	2	
9	G000073-005008-00	螺钉 M5x8 Screw M5x8	2	
10	N163-212007-W00	玻璃丝套管 Sleeve	1	
11	B0001014	导线 QFR1x1.0 黑 Line	1	L=400mm ,GB9328-88
12	DJ3011A-4-11-G00	单线圆柱复合插头 Plug	1	
13	DJ211-4B-G00	圆柱形插头 Plug	1	

图3 转向桥(一)
Fig. 3 Steering axle(I)

全部车型
All models of truck

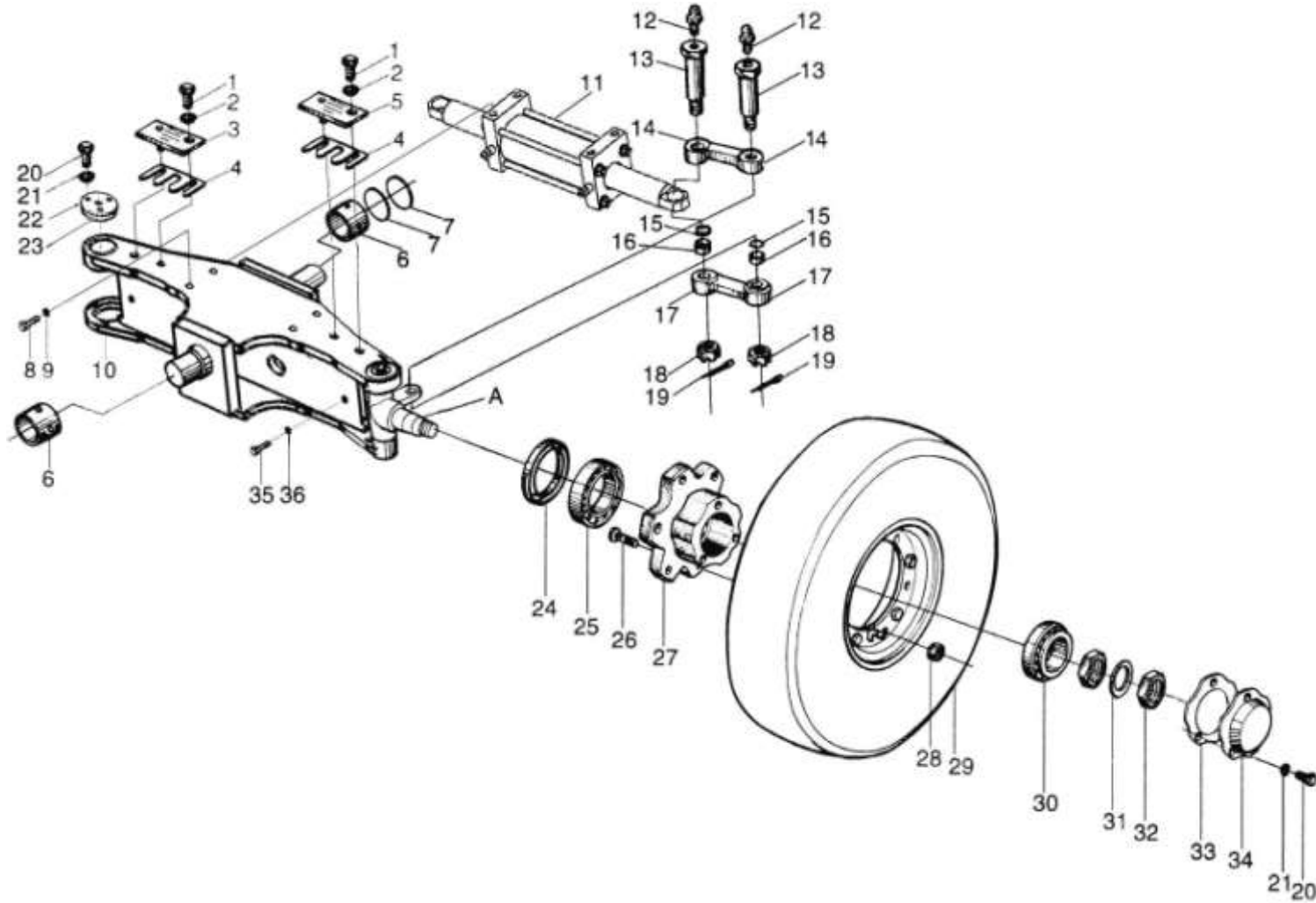


图3 转向桥(一)
Fig.3 Steering axle(I)

全部车型
All models of truck

序号 Item	物料码 Part No.	名称 Description	数量 Qty	备注或适用车型 Remarks or Serial No.
1	G005786-010030-00	螺栓 M10×1.25×30 Bolt M10×1.25×30	2	
2	G000093-000010-00	垫圈 10 Washer 10	2	
3	N163-223000-000	左限位板 Plate	1	
4	N163-220004-000	调整垫片 Adjusting shim	2	
5	N163-225000-000	右限位板 Plate	1	
6	R450-220012-000	轴套 Bush	2	
7	R450-220013-000	调整垫片 Adjusting shim	1	
8	G005786-016045-01	螺栓 M16×1.5×45 Bolt M16×1.5×45	4	
9	G000093-000016-00	垫圈 16 Washer 16	4	
10	R450-222000-000	转向桥体 Steering axle body	1	≤2007-07
10	R450-222000-001	转向桥体 Steering axle body	1	≥2007-07
11	R450-223000-000	转向油缸 Steering cylinder	1	
12	Q701B45-NPT1/16-G00	油杯 Grease nipple	4	
13	N163-220005-000	销轴 Pin shaft	4	
14	R450-220004-000	上联杆 Tie-rod bar	2	

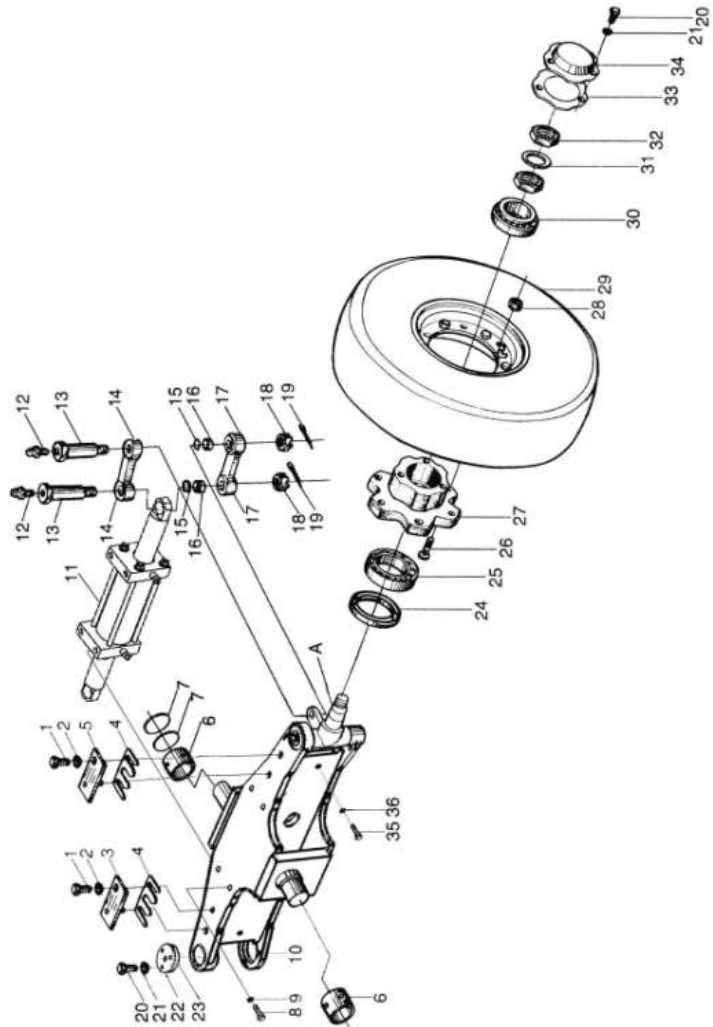


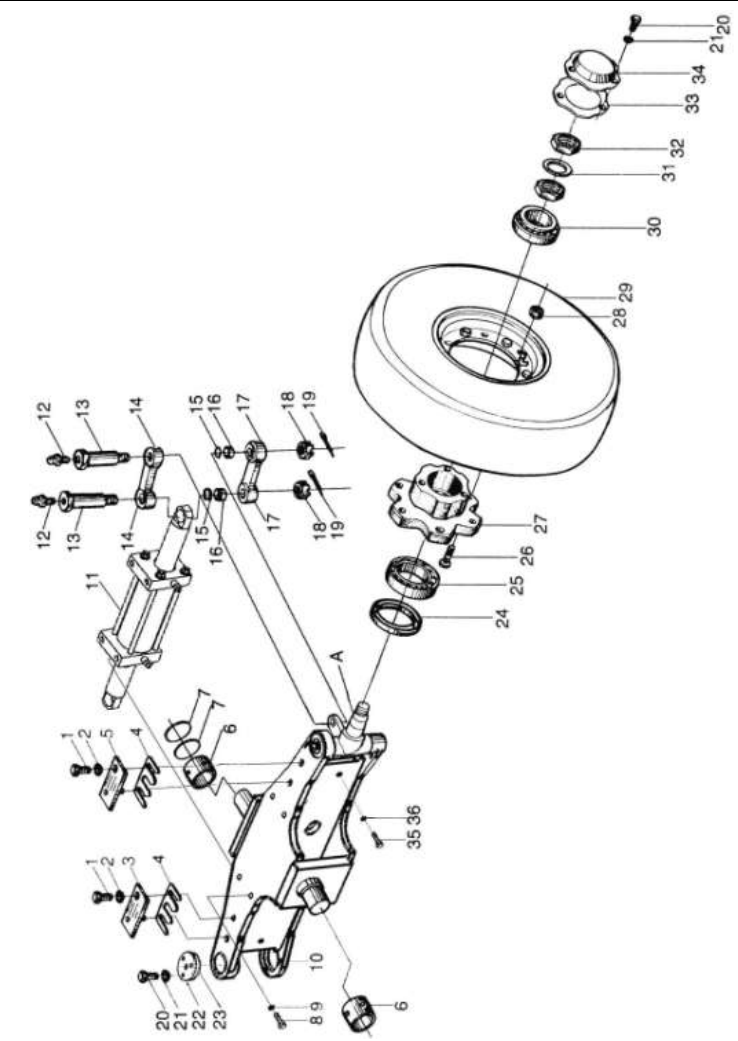
图3 转向桥(一)
Fig.3 Steering axle(I)

全部车型
All models of truck

序号 Item	物料码 Part No.	名称 Description	数量 Qty	备注或适用车型 Remarks or Serial No.
15	G0893P2-000035-00	挡圈 35 Snap ring 35	2	
16	G009163- 2000000-03	轴承 GE20ES-2RS Bearing	2	
17	R450-220005-000	下联杆 Tie-rod bar	2	
18	G009459-000014-01	螺母 M14×1.5 Nut M14×1.5	4	
19	G000091-3P2040-00	销 3.2×40 Pin 3.2×40	4	
20	G005783-006016-00	螺栓 M6×16 Bolt M6×16	18	
21	G000093-000006-00	垫圈 6 Washer 6	18	
22	R450-220011-000	盖板 Cover	4	≤2007-07
22	R450-220011-001	盖板 Cover	4	≥2007-07
23	40DH-210004	主销端盖衬垫 Gasket	4	≤2007-07
23	R450-210004-000	主销端盖衬垫 Gasket	4	≥2007-07
24	HG40692-090012512-00	油封 PD90×125×12 Oil seal	2	
25	GT00297-0032213-00	轴承 32213 Bearing 32213	2	
26	40D-410004	轮毂螺栓 Hub bolt	10	
27	40D-410003	转向轮毂 Steering hub	2	

图3 转向桥(一)
Fig.3 Steering axle(I)

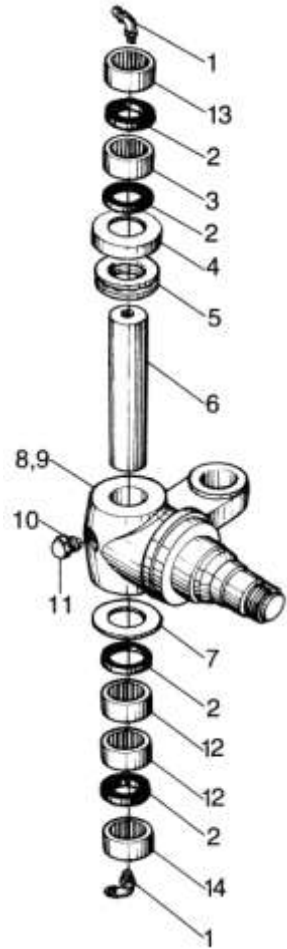
全部车型
All models of truck



序号 Item	物料码 PART NO.	名称 Description	数量 Qty	备注或适用车型 Remarks or Serial No.
28	3-11-00-06	螺母 Nut	10	
29	R450-221000-000	车轮总成 Steering wheel	2	
30	GT00297- 0032308-00	轴承 32308 Bearing 32308	2	
31	G000858-000040-00	垫圈 40 Washer 40	2	
32	G000812-000040-01	螺母 M40×1.5 Nut M40×1.5	4	
33	40D-410002	软垫 Gasket	2	
34	40D-410001	轮毂盖 Hub cover	2	
35	N163-220024-000	限位螺栓 Bolt	2	
36	G006171-000014-02	螺母 M14×1.5 Nut M14×1.5	2	

图 4 转向桥 (二)
Fig. 4 Steering axle(II)

全部车型
All models of truck



序号 Item	物料码 Part No.	名称 Description	数量 Qty	备注或适用车型 Remarks or Serial No.
1	Q701B45- NPT1/8-G00	油杯 Grease nipple	6	
2	R450-220009-000	密封圈 Oil seal	8	
3	JT07918- 0405040-00	轴承 K405040 Bearing K405040	2	
4	R450-220007-000	防尘套 Dust proof bush	2	
5	GT00301- 0051208-00	轴承 51208 Bearing 51208	2	
6	R450-220010-000	主销 Pin	2	
7	R450-220008-000	调整垫片 Adjusting shim	2	
8	R450-220003-000	左转向节 Left steering knuckle	1	
9	R450-220006-000	右转向节 Right steering knuckle	1	
10	G000093-000012-00	垫圈 12 Washer 12	1	
11	40D-410014	螺钉 Screw	2	
12	GT12764-0004025-01	轴承 HKH4025 Bearing HKH4025	4	≤2007-07
12	JT07918-0405026-00	轴承 K405026 Bearing K405026	4	≥2007-07
13	R450-220015-000	钢套 I Liner I	2	
14	R450-220016-000	钢套 II Liner II	2	

图5 转向车轮总成
Fig. 5 Steering wheel assy

全部车型
All models of truck

序号 Item	物料码 Part No.	名称 Description	数量 Qty	备注或适用车型 Remarks or Serial No.
A1	R450-221000-000	转向车轮总成 Steering wheel assy	2	INC:1-7 充气轮胎inflated tyre
1	GT02982-00071212-00	充气轮胎 7.00-12-12PR Pneumatic tyre	2	标配 Standard
2	3-11-50-02	内轮辋 Inside wheel rim	2	黑色 Black 序号 2、3 配对购买 Item 2, 3, Provide together
3	3-11-50-01	外轮辋 Outside wheel rim	2	
4	R450-221001-000	轮辋螺栓 Bolt	10	
5	G000093-000016-00	垫圈 16 Washer 16	10	
6	G009457-000016-01	螺母 m16×1.5 Nut m16×1.5	10	
7	G000091-004028-00	销 4×28 Pin 4×28	10	
8	3-11-00-06	螺母 Nut	20	
9	GT10823-0000712-00	实心胎 7.00-12 Solid tyre 7.00-12	2	选配 Optional

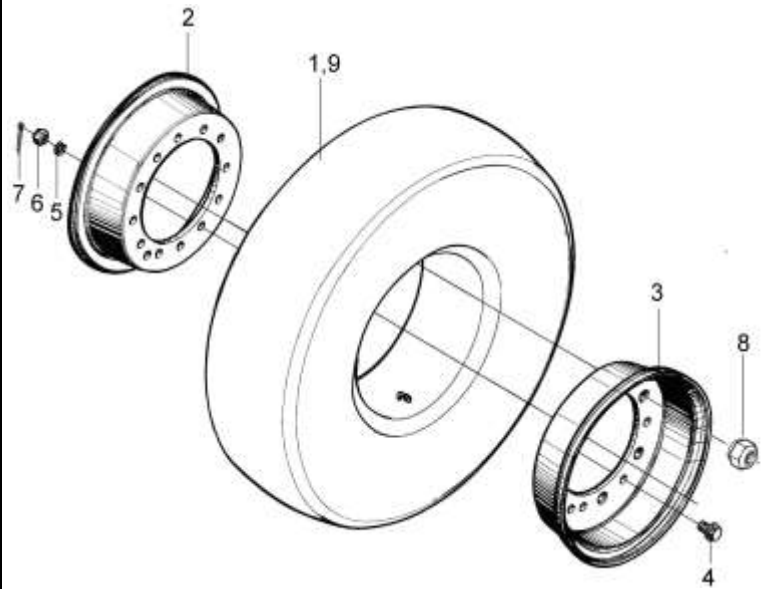


图 6 转向油缸
Fig. 6 Steering cylinder

全部车型
All models of truck

序号 Item	物料码 PART NO.	名称 Description	数量 Qty	备注或适用车型 Remarks or Serial No.
A1	R450-223000-000	转向油缸 Steering cylinder	1	包含/INC:1-14
1	CL0087C3-G00	LBH 防尘圈 d50 Dust proof ring d50	2	
2	3E-215005	保护圈 Protect ring	2	
3	FU0619K0-G00	ISI 密封圈 d50 Seal ring d50	2	
4	SF-1-5020-G00	复合衬套 5020 Bush 5020	2	
5	R450-223400-W00	右导向套 Right guide bush	1	
6	GB001235-008003P5-00	O 形密封圈 80x3.5 O-ring 80x3.5	2	
7	R450-223200-W00	缸筒 Cylinder body	1	
8	PT0300800-T46NA-G00	格莱圈 D80 Ring D80	1	
9	R450-223300-W00	左导向套 Left guide bush	1	
10	R450-223100-W00	活塞杆 Piston rod	1	
11	GB009163- 200000-03	轴承 GE20ES-2RS Bearing GE20ES-2RS	2	
12	GB0893P2- 000035-00	挡圈 35 Snap ring 35	2	
13	SPL6177.2-2004-G00	螺母 M12x1.25 Nut M12x1.25	8	
14	R450-223001-W00	螺杆 Rod	4	
K1	R450-223-000-Kit	转向油缸修理包 Steering cylinder repair kits	1	包含/INC: 1,3,6,8

第三部分 动力系统目录

Part III Dynamic system contents

- | | | | |
|------------------|-------------------|------------------|-----------------------------|
| Ⓐ CPCD40/45-RG24 | Ⓑ CPCD50-RXG24 | Ⓒ CPC40/45-RG31 | Ⓓ CPC50-RXG24 |
| Ⓔ CPCD40/45-RW5 | Ⓕ CPCD50-RXW5 | Ⓖ CPYD40/45-RW17 | Ⓘ CPCD40/45-RW19 |
| Ⓙ CPCD50-RXW19 | Ⓚ CPQYD40/45-RW57 | Ⓛ CPQYD50-RXW57 | Ⓛ ¹ CPYD50-RXW57 |
| | | Ⓞ CPCD40/45-RW35 | Ⓡ CPC45-RG34-S |
| Ⓢ CPYD40/45-RW24 | Ⓣ CPYD50-RXW24 | Ⓤ CPCD40/45-RG42 | Ⓟ CPC50-RXG42 |
| Ⓧ CPC45-RG43-S | Ⓨ CPC45-RG42-S | | |

序号 Item	名称 Description	适用车型 Serial No.	页码 Page
图 1 Fig.1	动力系统 Drive system	Ⓐ Ⓑ Ⓓ Ⓤ Ⓟ Ⓡ	3-1
图 2 Fig.2	动力系统 Drive system	Ⓒ Ⓧ	3-4
图 3 Fig.3	动力系统 Drive system	Ⓔ Ⓕ	3-5
图 4 Fig.4	动力系统 Drive system	Ⓖ Ⓕ	3-6
图 5 Fig.5	动力系统 Drive system	Ⓚ Ⓛ Ⓚ ¹ Ⓛ ¹	3-8
图 5-1 Fig.5-1	动力系统 Drive system	Ⓢ Ⓣ	3-10
图 6 Fig.6	动力系统 Drive system	Ⓘ Ⓙ	3-12
图 7 Fig.7	动力系统 Drive system	Ⓞ Ⓟ	3-13

序号 Item	名称 Description	适用车型 Serial No.	页码 Page
图 9 Fig.9	动力系统 Drive system	® ⑤	3-14
图 10 Fig.10	进气系统 Air intake system	Ⓐ Ⓑ Ⓒ Ⓓ Ⓔ Ⓕ Ⓖ Ⓗ Ⓙ	3-16
图 11 Fig.11	进气系统 Air intake system	Ⓒ Ⓗ	3-18
图 12 Fig.12	进气系统 Air intake system	Ⓚ Ⓛ Ⓚ① Ⓛ① Ⓢ Ⓣ	3-19
图 13 Fig. 13	进气系统 Air intake system em	Ⓞ Ⓟ	3-21
图 14 Fig.14	进气系统 Air intake system	Ⓤ Ⓥ Ⓦ	3-22
图 14-A Fig.14-A	进气系统 Air intake system	⑤	3-23
图 15 Fig.15	进气系统 Air intake system	® ⑥	3-25
图 16 Fig.16	排气系统 Exhaust system	Ⓐ Ⓑ Ⓒ Ⓞ Ⓟ	3-27
图 17 Fig.17	排气系统 Exhaust system	Ⓓ Ⓤ Ⓥ Ⓦ	3-28
图 18 Fig.18	排气系统 Exhaust system	Ⓔ Ⓕ	3-30
图 19 Fig.19	排气系统 Exhaust system	Ⓒ Ⓗ Ⓚ Ⓛ Ⓚ① Ⓛ①	3-31
图 20 Fig.20	排气系统 Exhaust system	Ⓛ Ⓙ	3-33
图 21 Fig.21	排气系统 Exhaust system	Ⓢ Ⓣ	3-34

序号 Item	名称 Description	适用车型 Serial No.	页码 Page
图 22 Fig.22	排气系统 Exhaust system	® ⊗ ⊙	3-36
图 23 Fig.23	冷却系统 Cooling system	Ⓐ Ⓑ	3-38
图 24 Fig.24	冷却系统 Cooling system	<2014-02-01 Ⓒ	3-40
图 24-1 Fig.24-1	冷却系统 Cooling system	≥2014-02-01 Ⓒ	3-42
图 25 Fig.25	冷却系统 Cooling system	Ⓓ	3-44
图 26 Fig.26	冷却系统 Cooling system	Ⓔ Ⓕ	3-46
图 27 Fig.27	冷却系统 Cooling system	Ⓖ Ⓗ	3-48
图 28 Fig.28	冷却系统 Cooling system	Ⓖ Ⓕ Ⓖ Ⓖ Ⓖ Ⓖ Ⓖ Ⓖ Ⓖ Ⓖ	3-50
图 29 Fig.29	冷却系统 Cooling system	Ⓘ Ⓙ	3-53
图 30 Fig.30	冷却系统 Cooling system	®	3-55
图 31 Fig.31	冷却系统 Cooling system	Ⓜ ⊙	3-57
图 32 Fig.32	冷却系统 Cooling system	Ⓤ ⊙	3-59
图 33 Fig.33	冷却系统 Cooling system	⊗	3-61
图 34 Fig.34	燃油系统 Fuel system	Ⓐ Ⓑ Ⓒ Ⓓ ⊗	3-63
图 35 Fig.35	燃油系统 Fuel system	Ⓔ Ⓕ Ⓖ Ⓤ Ⓥ Ⓦ ⊙	3-64

序号 Item	名称 Description	适用车型 Serial No.	页码 Page
图 36 Fig.36	燃油系统 Fuel system	Ⓒ Ⓓ Ⓢ Ⓣ	3-66
图 37 Fig.37	燃油系统 Fuel system	Ⓚ Ⓛ Ⓚ ₁ Ⓛ ₁	3-67
图 38 Fig.38	燃油系统 Fuel system	Ⓜ Ⓟ	3-69
图 39 Fig.39	燃油系统 Fuel system	Ⓞ Ⓟ	3-71
图 40 Fig.40	发动机安装 Engine mount	Ⓐ Ⓑ Ⓓ	3-73
图 41 Fig.41	发动机安装 Engine mount	Ⓒ ⓧ	3-74
图 42 Fig.42	发动机安装 Engine mount	Ⓔ Ⓕ	3-75
图 43 Fig.43	发动机安装 Engine mount	Ⓒ Ⓓ Ⓚ Ⓛ Ⓚ ₁ Ⓛ ₁ Ⓢ Ⓣ	3-76
图 44 Fig.44	发动机安装 Engine mount	Ⓜ Ⓟ Ⓤ Ⓥ	3-77
图 45 Fig.45	发动机安装 Engine mount	Ⓞ Ⓟ	3-78
图 46 Fig.46	发动机安装 Engine mount	Ⓡ Ⓦ Ⓨ	3-79
图 I Fig. I	燃料管路系统 Fuel Piping System	Ⓒ Ⓓ	3-80
图 II Fig. II	LPG 燃料系统 LPG Fuel System	Ⓚ Ⓛ Ⓚ ₁ Ⓛ ₁	3-81
图 III Fig. III	LPG 燃料系统 LPG Fuel System	Ⓢ Ⓣ	3-82
图 IV Fig. IV	储气系统 LPG Storing system	Ⓒ Ⓓ Ⓚ Ⓛ	3-83

图1 动力系统
Fig. 1 Drive system

Ⓐ CPCD40/45-RG24 Ⓑ CPCD50-RXG24 Ⓓ CPC50-RXG24
 Ⓤ CPCD40/45-RG42 Ⓥ CPCD50-RXG42 Ⓦ CPC50-RXG42

序号 Item	物料码 Part No.	名称 Description	数量 Qty	备注或适用车型 Remarks or Serial No.
1	R450-310000-000	进气系统 Air inlet system	1	Ⓐ Ⓑ
1	R470-310000-000	进气系统 Air inlet system	1	Ⓓ
1	R459-310000-000	进气系统 Air inlet system	1	Ⓤ Ⓥ
1	R479-310000-000	进气系统 Air inlet system	1	Ⓦ
2	R450-301000-G00	柴油机 Diesel engine	1	Ⓐ Ⓑ
2	R470-301000-G00	柴油机 Diesel engine	1	Ⓓ
2	R459-301000-000	柴油机 Diesel engine	1	Ⓤ Ⓥ
2	R479-301000-000	柴油机 Diesel engine	1	Ⓦ
3	R450-330000-000	冷却系统 Cooling system	1	Ⓐ Ⓑ, <2014-02-01
3	A460-330000-000	冷却系统 Cooling system	1	Ⓐ Ⓑ, ≥2014-02-01
3	R470-330000-000	冷却系统 Cooling system	1	Ⓓ, <2014-02-01
3	A500-330000-000	冷却系统 Cooling system	1	Ⓓ, ≥2014-02-01
3	R459-330000-000	冷却系统 Cooling system	1	Ⓤ Ⓥ, <2014-02-01
3	A461-330000-000	冷却系统 Cooling system	1	Ⓤ Ⓥ, ≥2014-02-01
3	R479-330000-000	冷却系统 Cooling system	1	Ⓦ, <2014-02-01

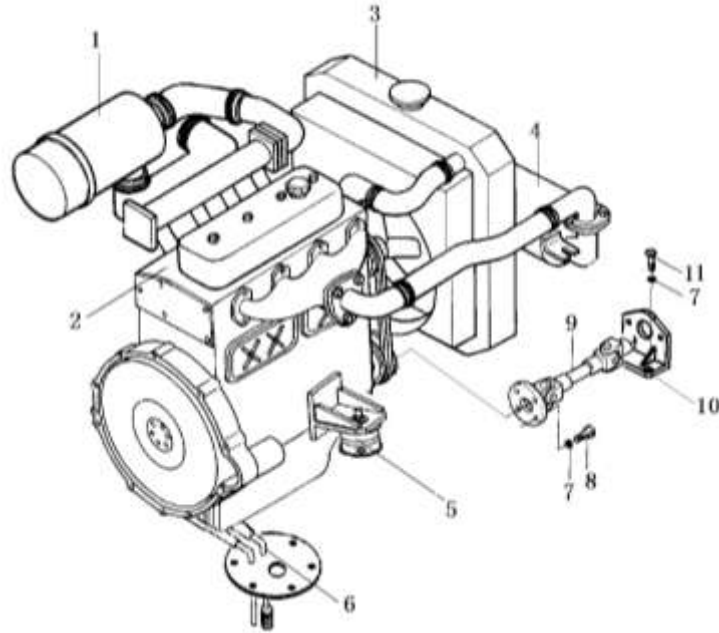
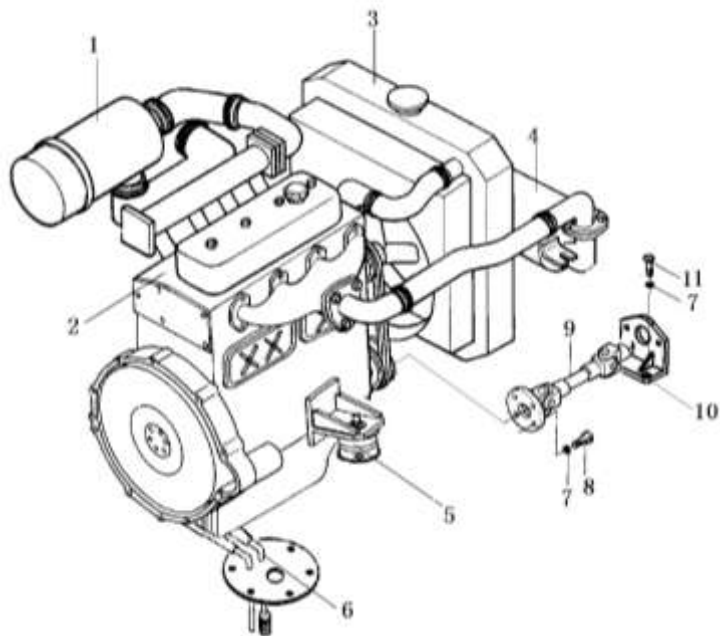


图1 动力系统
Fig. 1 Drive system

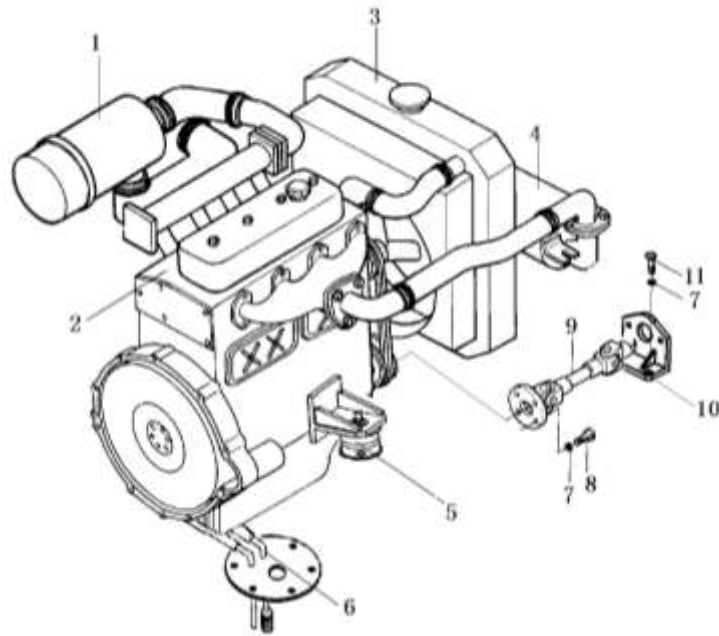
Ⓐ CPCD40/45-RG24 Ⓑ CPCD50-RXG24 Ⓓ CPC50-RXG24
 Ⓤ CPCD40/45-RG42 Ⓥ CPCD50-RXG42 Ⓜ CPC50-RXG42



序号 Item	物料码 Part No.	名称 Description	数量 Qty	备注或适用车型 Remarks or Serial No.
3	A501-330000-000	冷却系统 Cooling system	1	Ⓜ, ≥2014-02-01
4	R450-320000-000	排气系统 Exhaust system	1	Ⓐ
4	R480-320000-000	排气系统 Exhaust system	1	Ⓑ
4	R470-320000-00	排气系统 Exhaust system	1	Ⓓ
4	R459-320000-000	排气系统 Exhaust system	1	Ⓤ
4	R489-320000-000	排气系统 Exhaust system	1	Ⓥ
4	R479-320000-000	排气系统 Exhaust system	1	Ⓜ
5	R450-350000-000	发动机安装 Engine mount	1	Ⓐ Ⓑ
5	R470-350000-000	发动机安装 Engine mount	1	Ⓓ
5	R459-350000-000	发动机安装 Engine mount	1	Ⓤ Ⓥ
5	R479-350000-000	发动机安装 Engine mount	1	Ⓜ
6	R450-340000-000	燃油系统 Engine fuel system	1	Ⓐ Ⓑ Ⓓ
6	R459-340000-000	燃油系统 Engine fuel system	1	Ⓤ Ⓥ Ⓜ
7	G000093-000012-00	垫圈12 Washer 12	6	Ⓐ Ⓑ Ⓓ
7	G000093-000010-00	垫圈10 Washer 10	8	Ⓤ Ⓥ Ⓜ

图1 动力系统
Fig. 1 Drive system

Ⓐ CPCD40/45-RG24 Ⓑ CPCD50-RXG24 Ⓓ CPC50-RXG24
 Ⓤ CPCD40/45-RG42 Ⓥ CPCD50-RXG42 Ⓦ CPC50-RXG42

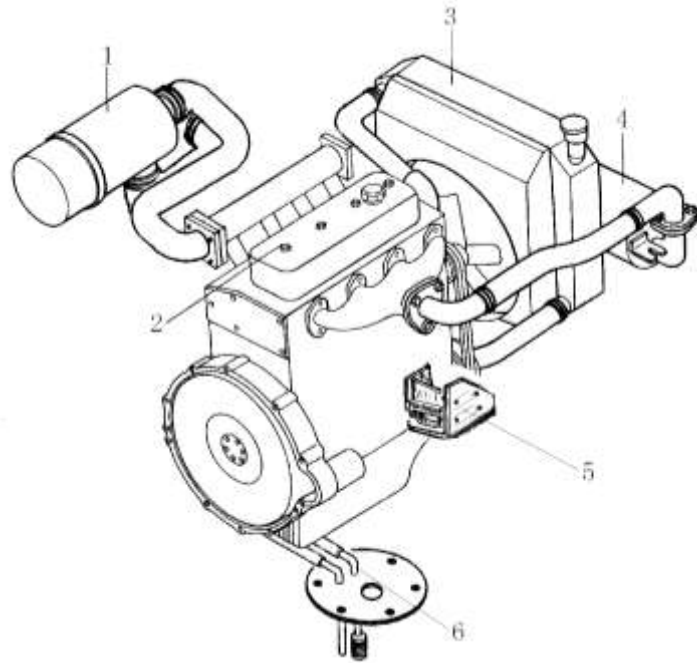


序号 Item	物料码 Part No.	名称 Description	数量 Qty	备注或适用车型 Remarks or Serial No.
8	G000070-012030-00	螺钉 M12x30 screw	4	Ⓐ Ⓑ Ⓓ
8	G000070-010040-00	螺钉 M10x40 screw	6	Ⓤ Ⓥ Ⓦ
9	R450-361000-000	传动轴总成 Shaft	1	Ⓐ Ⓑ
9	R470-361000-000	传动轴总成 Shaft	1	Ⓓ
9	R459-361000-000	传动轴总成 Shaft	1	Ⓤ Ⓥ
9	R479-361000-000	传动轴总成 Shaft	1	Ⓦ
10	R450-360001-000	油泵支架 Pump bracket	1	Ⓐ Ⓑ Ⓤ Ⓥ
10	R470-360001-000	油泵支架 Pump bracket	1	Ⓓ
10	R479-362000-000	油泵支架 Pump bracket	1	Ⓦ
11	G005783-012040-00	螺栓M12x40 Bolt	2	

图2 动力系统
Fig. 2 Drive system

© CPC40/45-RG31

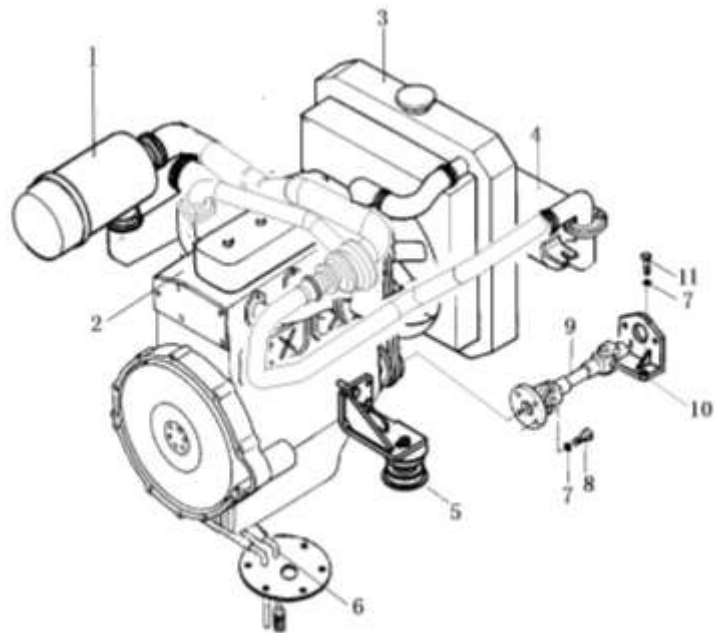
⊗ CPC45-RG43-S



序号 Item	物料码 Part No.	名称 Description	数量 Qty	备注或适用车型 Remarks or Serial No.
1	R441-310000-000	进气系统 Air inlet system	1	©
1	RS451-310000-000	进气系统 Air inlet system	1	⊗
2	A498BPG-504	柴油机 Diesel engine	1	©
2	RS451-301000-000	柴油机 Diesel engine	1	⊗
3	R441-330000-000	冷却系统 Cooling system	1	©
3	RS451-330000-000	冷却系统 Cooling system	1	⊗
4	R441-320000-000	排气系统 Exhaust system	1	©
4	RS451-320000-000	排气系统 Exhaust system	1	⊗
5	R441-350000-000	发动机安装 Engine mount	1	©
5	RS451-350000-000	发动机安装 Engine mount	1	⊗
6	R450-340000-000	燃油系统 Engine fuel system	1	

图3 动力系统
Fig. 3 Drive system

Ⓔ CPCD40/45-RW5 Ⓕ CPCD50-RXW5



序号 Item	物料码 Part No.	名称 Description	数量 Qty	备注或适用车型 Remarks or Serial No.
1	R454-310000-000	进气系统 Air inlet system	1	
2	B3.3T-C80-G00	柴油机 Diesel engine	1	
3	R454-330000-000	冷却系统 Cooling system	1	
4	R454-320000-000	排气系统 Exhaust system	1	Ⓔ
4	R484-320000-000	排气系统 Exhaust system	1	Ⓕ
5	R454-350000-000	发动机安装 Engine mount	1	
6	R454-340000-000	燃油系统 Engine fuel system	1	
7	G000093-000010-00	垫圈10 Washer 10	6	
8	G000070-010030-00	螺钉 M10×30 Screw M10×30	2	
9	R454-361000-000	传动轴总成 Shaft	1	
10	R450-360001-000	油泵支架 Pump bracket	1	
11	G005783-012040-00	螺栓M12×40 Bolt M12×40	4	

图4 动力系统
Fig. 4 Drive system

© CPYD40/45-RW17 Ⓜ CPYD50-RXW17

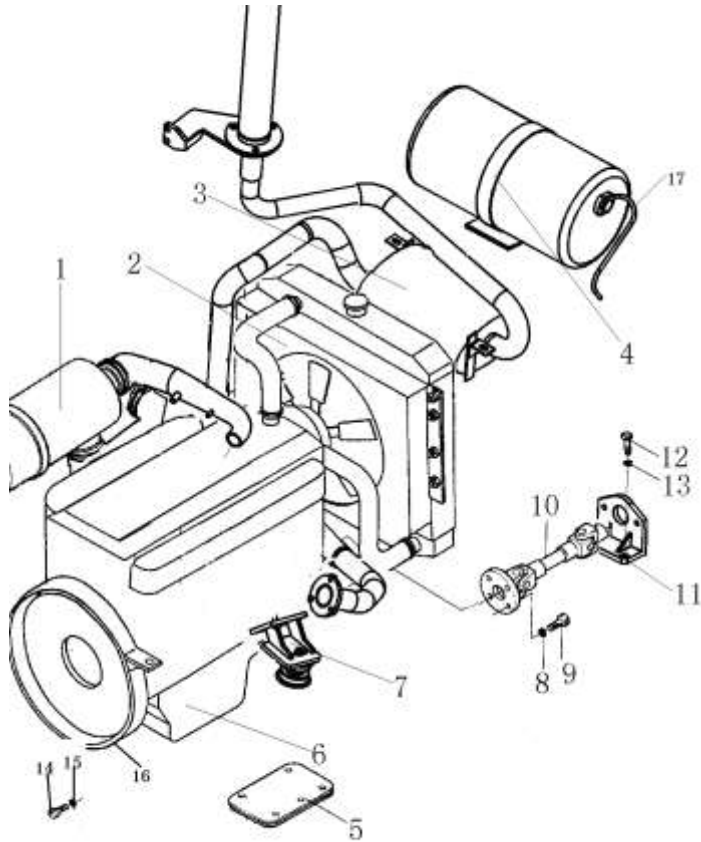
<2012-08
停产 Stop production

序号 Item	物料码 Part No.	名称 Description	数量 Qty	备注或适用车型 Remarks or Serial No.
1	R453-310000-000	进气系统 Air inlet system	1	
2	R453-330000-000	冷却系统 Cooling system	1	
3	R453-320000-000	排气系统 Exhaust system	1	Ⓒ
3	R483-320000-000	排气系统 Exhaust system	1	Ⓜ
4	XF251-370000-000	储气系统 air storage system	1	
5	R453-340000-000	燃油系统 Engine fuel system	1	
6	R453-301000-G00	汽油机 GM4.3L Gas engine GM4.3L	1	单燃料发动机 Single fuel engine
7	R453-350000-000	发动机安装 Engine mount	1	
8	G000093-000010-00	垫圈10 Washer 10	3	
9	R453-360002-000	螺栓 Bolt	3	
10	R453-361000-000	传动轴总成 Shaft	1	
11	R453-360001-000	油泵支架 Pump bracket	1	
12	G005783-010045-00	螺栓M12×40 Bolt M12×40	2	
13	G000093-000012-00	垫圈12 Washer 12	2	
14	G005783-010045-00	螺栓M10×45 Bolt M10×45	10	

图4 动力系统
Fig. 4 Drive system

© CPYD40/45-RW17 Ⓜ CPYD50-RXW17

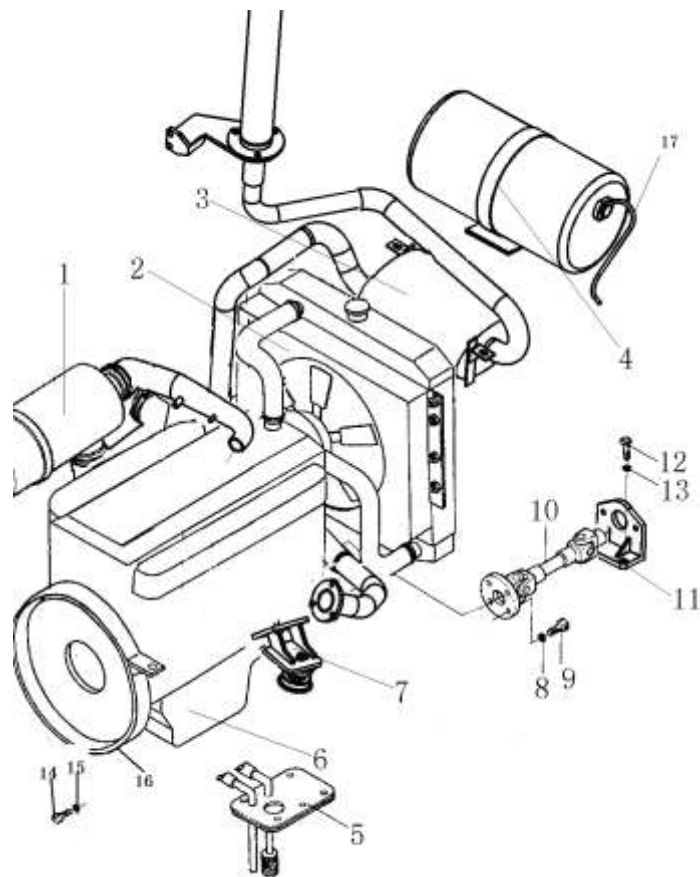
<2012-08
停产 stop production



序号 Item	物料码 Part No.	名称 Description	数量 Qty	备注或适用车型 Remarks or Serial No.
15	G000093-000010-00	垫圈 10 Washer 10	10	
16	R453-300001-000	飞轮壳 Flywheel casing	1	
17	R453-370000-000	LPG 燃料系统 LPG fuel system	1	

图5 动力系统
Fig. 5 Drive system

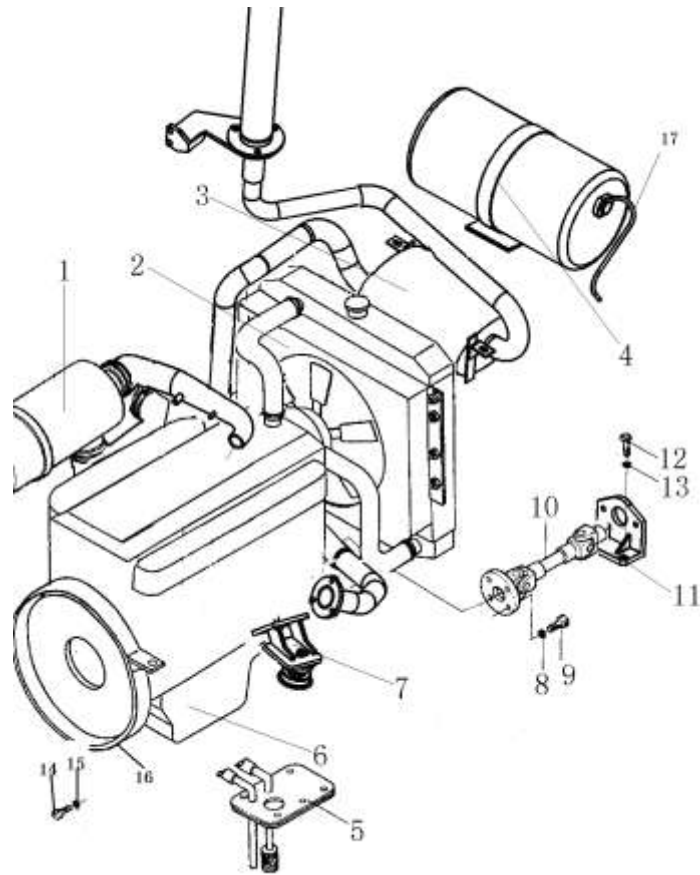
Ⓚ CPQYD40/45-RW57 Ⓛ CPQYD50-RXW57 Ⓚ1 CPYD40/45-RW57 Ⓛ1 CPYD50-RXW57



序号 Item	物料码 Part No.	名称 Description	数量 Qty	备注或适用车型 Remarks or Serial No.
1	R455-310000-000	进气系统 Air inlet system	1	Ⓚ Ⓛ Ⓚ1 Ⓛ1
2	R453-330000-001	冷却系统 Cooling system	1	Ⓚ Ⓛ Ⓚ1 Ⓛ1
3	R455-320000-000	排气系统 Exhaust system	1	Ⓚ Ⓚ1
3	R485-320000-000	排气系统 Exhaust system	1	Ⓛ Ⓛ1
4	XF251-370000-000	储气系统 air storage system	1	
5	R455-340000-000	燃油系统 Engine fuel system	1	Ⓚ Ⓛ
5	R4510-340000-000	燃油系统 Engine fuel system	1	Ⓚ1 Ⓛ1
6	R455-301000-G00	汽油机 GM4.3L LX Gas engine GM4.3L LX	1	双燃料发动机 Dual fuel engine
7	R453-350000-000	发动机安装 Engine mount	1	
8	G000093-000010-00	垫圈10 Washer 10	3	
9	R453-360002-000	螺栓 Bolt	3	
10	R453-361000-000	传动轴总成 Shaft	1	
11	R453-360001-000	油泵支架 Pump bracket	1	
12	G005783-010045-00	螺栓M12x40 Bolt M12x40	2	
13	G000093-000012-00	垫圈 12 Washer 12	2	

图5 动力系统
Fig. 5 Drive system

Ⓚ CPQYD40/45-RW57 Ⓛ CPQYD50-RXW57 Ⓚ CPYD40/45-RW57 Ⓛ CPYD50-RXW57



序号 Item	物料码 Part No.	名称 Description	数量 Qty	备注或适用车型 Remarks or Serial No.
14	G005783-010045-00	螺栓M10×45 Bolt M10×45	10	
15	G000093-000010-00	垫圈 10 Washer 10	10	
16	R453-300001-000	飞轮壳 Flywheel casing	1	
17	R455-360000-000	LPG 燃料系统 LPG fuel system	1	

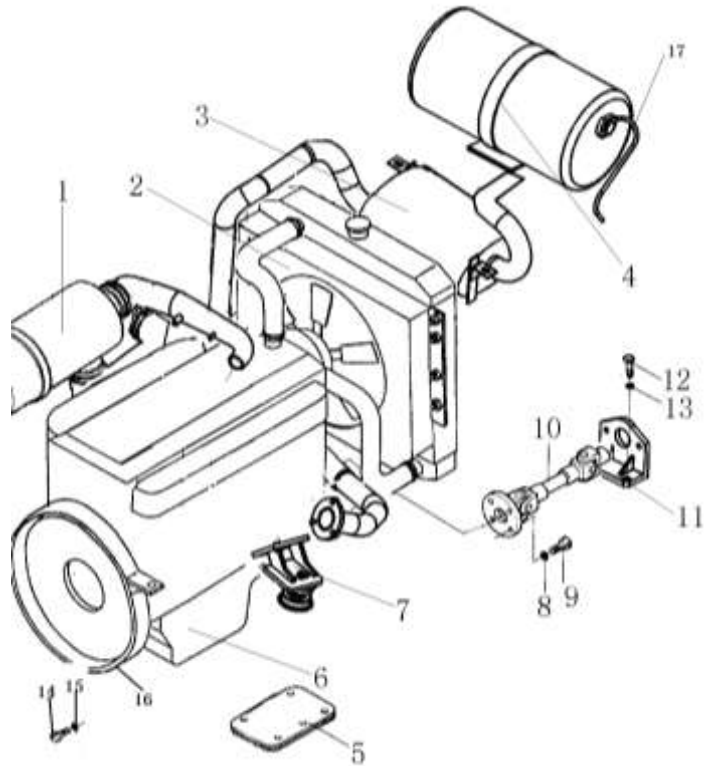
图 5-1 动力系统
Fig.5-1 Drive system

Ⓢ CPYD40/45-RW24 Ⓣ CPYD50-RXW24

序号 Item	物料码 Part No.	名称 Description	数量 Qty	备注或适用车型 Remarks or Serial No.
1	R456-310000-000	进气系统 Air inlet system	1	
2	R456-330000-000	冷却系统 Cooling system	1	
3	R456-320000-000	排气系统 Exhaust system	1	Ⓢ
3	R486-320000-000	排气系统 Exhaust system	1	Ⓣ
4	XF251-370000-000	储气系统 air storage system	1	
5	R453-340000-000	燃油系统 Engine fuel system	1	Ⓢ Ⓣ
6	GR512-301000-G00	GM4.3L LP 发动机 GM4.3L LP engine	1	单燃料发动机 Single fuel engine
7	R453-350000-000	发动机安装 Engine mount	1	
8	G000093-000010-00	垫圈10 Washer 10	3	
9	R453-360002-000	螺栓 Bolt	3	
10	R453-361000-000	传动轴总成 Shaft	1	
11	R453-360001-000	油泵支架 Pump bracket	1	
12	G005783-010045-00	螺栓M12x40 Bolt M12x40	2	
13	G000093-000012-00	垫圈 12 Washer 12	2	
14	G005783-010045-00	螺栓M10x45 Bolt M10x45	10	

图 5-1 动力系统
Fig.5-1 Drive system

Ⓢ CPYD40/45-RW24 Ⓣ CPYD50-RXW24



序号 Item	物料码 Part No.	名称 Description	数量 Qty	备注或适用车型 Remarks or Serial No.
15	G000093-000010-00	垫圈 10 Washer 10	10	
16	R453-300001-000	飞轮壳 Flywheel casing	1	
17	R456-360000-000	LPG 燃料系统 LPG fuel system	1	

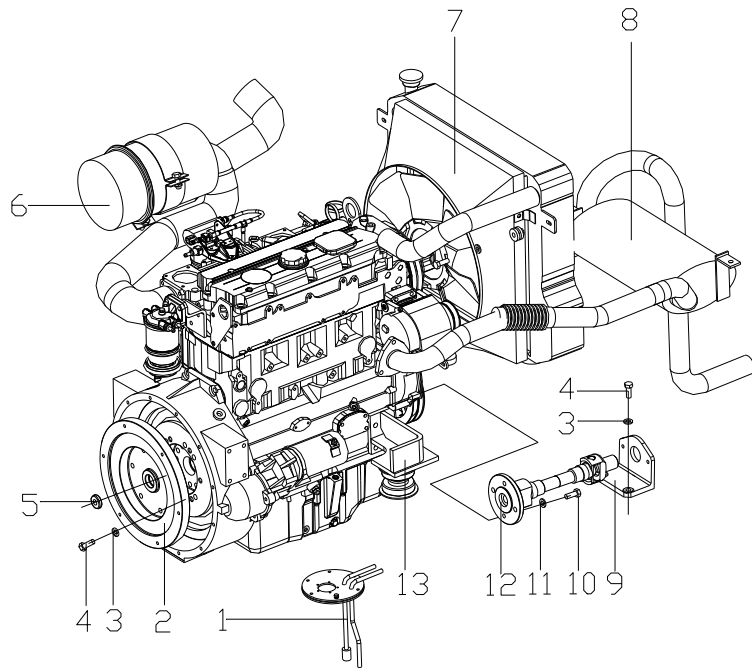
图6 动力系统
Fig. 6 Drive system

① CPCD40/45-RW19 ② CPCD50-RXW19

序号 Item	物料码 Part No.	名称 Description	数量 Qty	备注或适用车型 Remarks or Serial No.
1	R452-310000-000	进气系统 Air inlet system	1	
2	TD42AA-G00	柴油机 Diesel engine	1	
3	R452-330000-000	冷却系统 Cooling system	1	
4	R452-320000-000	排气系统 Exhaust system	1	①
4	R482-320000-000	排气系统 Exhaust system	1	②
5	R452-350000-000	发动机安装 Engine mount	1	
6	R452-340000-000	燃油系统 Engine fuel system	1	
7	R452-361000-000	传动轴总成 Shaft	1	
8	G000093-000010-00	垫圈10 Washer 10	6	
9	G000070-010030-00	螺钉M10×30 screw	2	
10	R450-360001-000	油泵支架 Pump bracket	1	
11	G005783-012040-00	螺栓M12×40 Bolt M12×40	2	

图7 动力系统
Fig. 7 Drive system

© CPCD40/45-RW35 Ⓟ CPCD50-RXW35

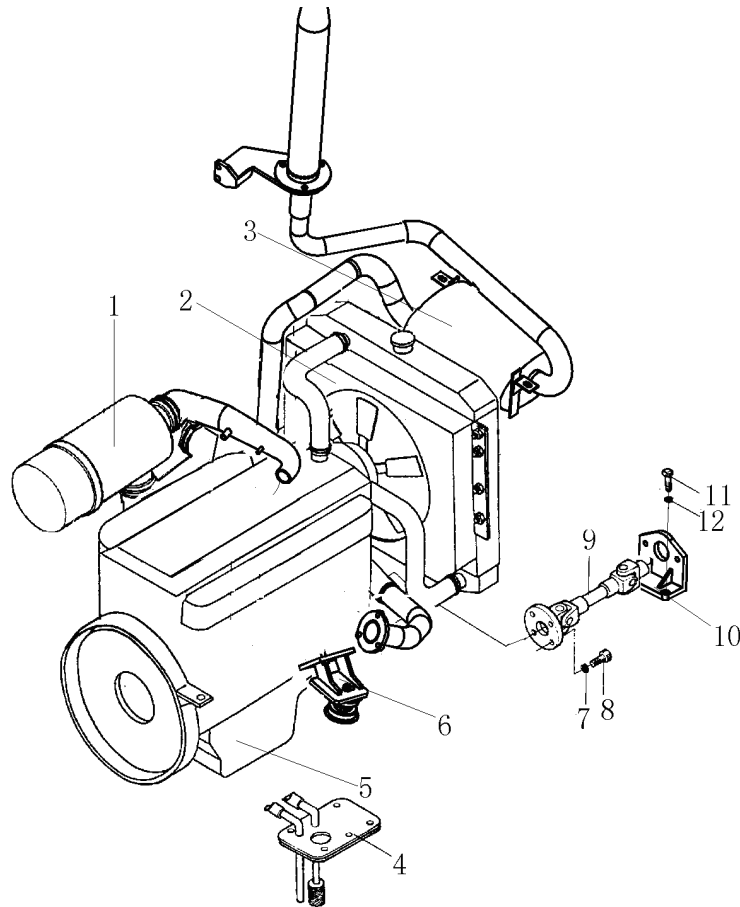


序号 Item	物料码 Part No.	名称 Description	数量 Qty	备注或适用车型 Remarks or Serial No.
1	R457-340000-000	燃油系统 Engine fuel system	1	
2	R457-300001-000	飞轮连接盘 Flywheel	1	
3	G000093-000012-00	垫圈12 Washer 12	8	
4	G005783-012040-00	螺栓M12x40 Bolt M12x40	8	
5	GT00276-0006202-00	轴承6202 axletree	1	
6	R457-310000-000	进气系统 Air inlet system	1	
7	R457-330000-000	冷却系统 Cooling system	1	
8	R457-320000-000	排气系统 Exhaust system	1	©
8	R487-320000-000	排气系统 Exhaust system	1	Ⓟ
9	R457-360002-000	油泵支架 Pump bracket	1	
10	R457-360001-000	螺栓 Bolt	4	
11	G000093-000010-00	垫圈10 Washer 10	4	
12	R457-361000-000	传动轴总成 Shaft	1	
13	R457-350000-000	发动机安装 Engine mount	1	

图9 动力系统
Fig. 9 Drive system

® CPC45-RG34-S

Ⓜ CPC45-RG42-S

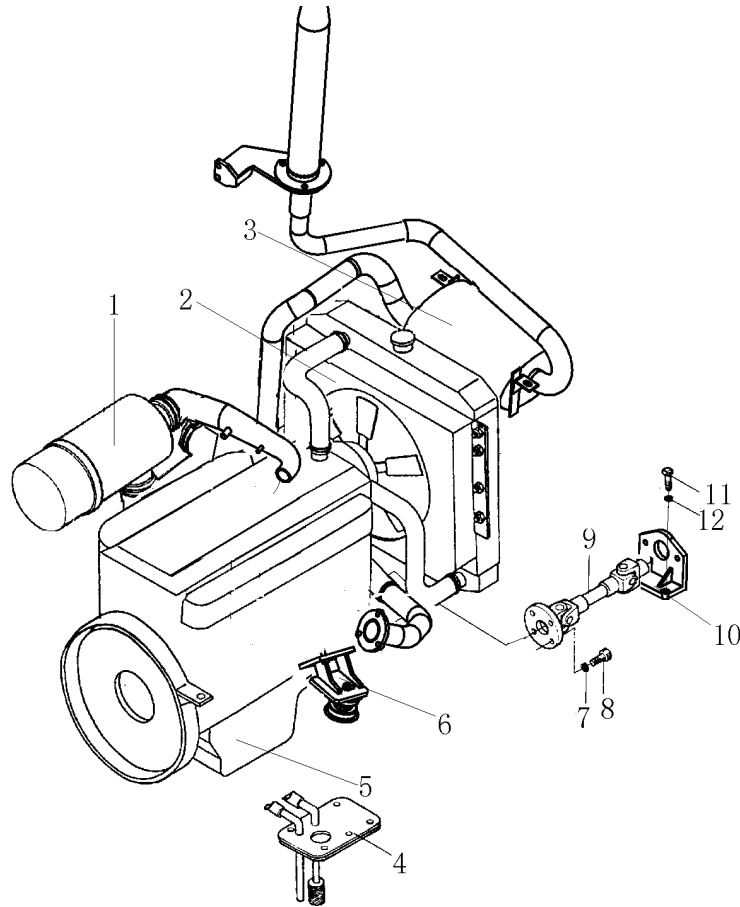


序号 Item	物料码 Part No.	名称 Description	数量 Qty	备注或适用车型 Remarks or Serial No.
1	RS450-310000-000	进气系统 Air inlet system	1	®
1	RS459-310000-000	进气系统 Air inlet system	1	Ⓜ
2	RS450-330000-000	冷却系统 Cooling system	1	®
2	R479-330000-000	冷却系统 Cooling system		Ⓜ <2014-02-01
2	A501-330000-000	冷却系统 Cooling system	1	Ⓜ ≥2014-02-01
3	RS450-320000-000	排气系统 Exhaust system	1	®
3	RS459-320000-000	排气系统 Exhaust system	1	Ⓜ
4	R454-340000-000	燃油系统 Engine fuel system	1	®
4	R459-340000-000	燃油系统 Engine fuel system	1	Ⓜ
5	RS450-301000-G00	柴油机 JD4G5 Gas engine	1	®
5	R479-301000-000	柴油机 Diesel engine	1	Ⓜ
6	RS450-350000-000	发动机安装 Engine mount	1	®
6	R479-301000-000	发动机安装 Engine mount	1	Ⓜ
7	G000093-000012-00	垫圈12 Washer 12	4	®
7	G000093-000010-00	垫圈10 Washer 10	6	Ⓜ

图9 动力系统
Fig. 9 Drive system

Ⓜ CPC45-RG34-S

Ⓜ CPC45-RG42-S



序号 Item	物料码 Part No.	名称 Description	数量 Qty	备注或适用车型 Remarks or Serial No.
8	G000070-012030-00	螺栓12×30 Bolt 12×30	4	Ⓜ
8	G000070-010040-00	螺栓10×40 Bolt 10×40	6	Ⓜ
9	R470-361000-000	传动轴总成 Shaft	1	Ⓜ
9	R479-361000-000	传动轴总成 Shaft	1	Ⓜ
10	R470-360001-000	油泵支架 Pump bracket	1	Ⓜ
10	R479-362000-000	油泵支架 Pump bracket	1	Ⓜ
11	G005783-012040-00	螺栓M12×40 Bolt M12×40	2	
12	G000093-000012-00	垫圈 12 Washer12	2	

图 10 进气系统
Fig.10 Air intake system

Ⓐ CPCD40/45-RG24 Ⓑ CPCD50-RXG24 Ⓒ CPC40/45-RG31 Ⓓ CPC50-RXG24
Ⓔ CPCD40/45-RW5 Ⓕ CPCD50-RXW5 Ⓖ CPC40/45-RW19 Ⓖ CPCD50-RXW19

序号 Item	物料码 Part No.	名称 Description	数量 Qty	备注或适用车型 Remarks or Serial No.
1	R450-312000-000	空气滤清器总成 Air cleaner	1	Ⓐ Ⓑ Ⓓ
1	R441-312000-000	空气滤清器总成 Air cleaner	1	Ⓒ
1	R453-312000-000	空气滤清器总成 Air cleaner	1	Ⓔ Ⓕ Ⓖ Ⓖ
2	G006170-000008-00	螺母M8 Nut M8	2	
3	G000093-000008-00	垫片8 Washer8	4	
4	R450-310003-000	抱箍 Clamp	1	Ⓐ Ⓑ Ⓒ Ⓓ
4	R453-310002-000	抱箍 Clamp	1	Ⓔ Ⓕ Ⓖ Ⓖ
5	Q676B-89-G00	蜗杆传动式软管环箍89 Clamp	4	
6	R450-310001-000	发动机进气管 Air intake pipe	1	Ⓐ Ⓑ
6	R470-310001-000	发动机进气管 Air intake pipe	1	Ⓓ
6	R441-310001-000	发动机进气管 Air intake pipe	1	Ⓒ
6	R454-310001-000	发动机进气管 Air intake pipe	1	Ⓔ Ⓕ
6	R452-310001-000	发动机进气管 Air intake pipe	1	Ⓖ Ⓖ
7	R450-310002-000	进气管 Air intake pipe	1	
8	R450-311000-000	空滤器支架 Bracket	1	Ⓐ Ⓑ Ⓒ Ⓓ

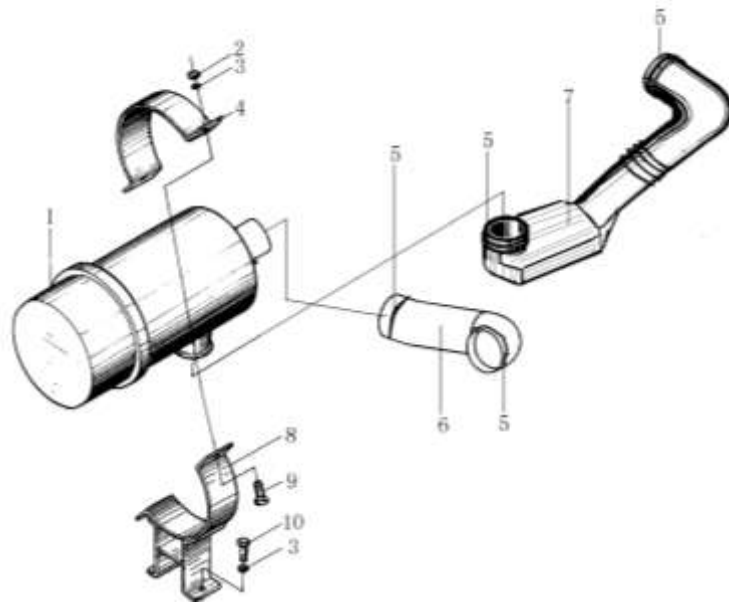
图 10 进气系统
Fig.10 Air intake system

Ⓐ CPCD40/45-RG24
Ⓔ CPCD40/45-RW5

Ⓑ CPCD50-RXG24
Ⓕ CPCD50-RXW5

Ⓒ CPC40/45-RG31
Ⓖ CPCD40/45-RW19

Ⓓ CPC50-RXG24
Ⓖ CPCD50-RXW19



序号 Item	物料码 Part No.	名称 Description	数量 Qty	备注或适用车型 Remarks or Serial No.
8	R453-311000-000	空滤器支架 Bracket	1	Ⓔ Ⓕ Ⓖ Ⓗ
9	G005783-008025-00	螺栓M8×25 Bolt	2	
10	G005783-008020-00	螺栓M8×20 Bolt	2	

图 11 进气系统
Fig.11 Air intake system

© CPYD40/45-RW17 Ⓜ CPYD50-RXW17

序号 Item	物料码 Part No.	名称 Description	数量 Qty	备注或适用车型 Remarks or Serial No.
1	R453-312000-000	空气滤清器总成 Air cleaner	1	
2	G006170-000008-00	螺母M8 Nut	2	
3	R453-310002-000	抱箍 Clamp	1	
4	Q676B-89-G00	蜗杆传动式软管环箍 89 Clamp	4	
5	R453-310001-000	发动机进气管 Air intake pipe	1	
6	R450-310002-000	进气管 Air intake pipe	1	
7	Q676B-89-G00	蜗杆传动式软管环箍 70 Clamp	1	
8	Q672-14-G00	双钢丝式环箍 14 Clamp	2	
9	R453-310003-W00	真空管 $\phi 7 \times 2$ pipe	1	
10	Q672-28-G00	双钢丝式环箍28 Clamp	2	Ⓞ Ⓜ
11	R453-310004-W00	低压气管 $\phi 16 \times 4$ pipe	1	Ⓞ Ⓜ
12	R453-311000-000	空滤器支架 Bracket	1	
13	G005783-008025-00	螺栓 M8×25 Bolt	2	
14	G005783-008020-00	螺栓 M8×20 Bolt	2	

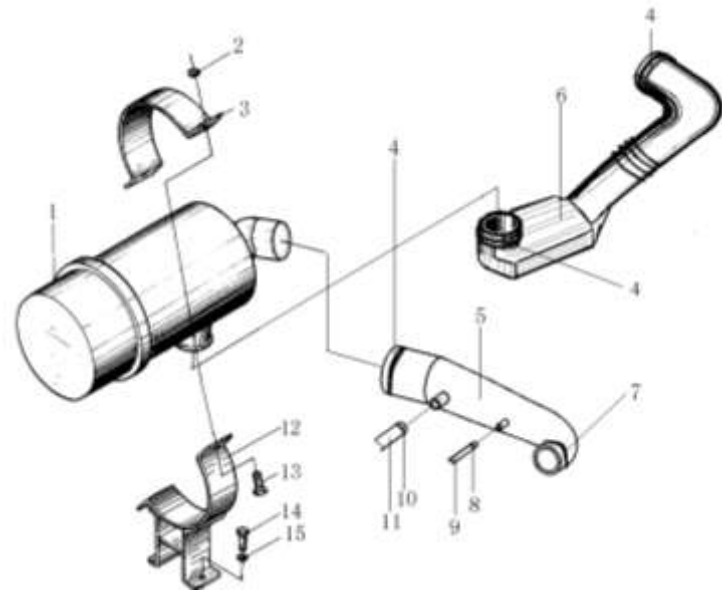


图 12 进气系统
Fig.12 Air intake system

Ⓚ CPQYD40/45-RW57 Ⓛ CPQYD50-RXW57 Ⓚ1 CPYD40/45-RW57 Ⓛ1 CPYD50-RXW57
 Ⓢ CPYD40/45-RW24 Ⓣ CPYD50-RXW24

序号 Item	物料码 Part No.	名称 Description	数量 Qty	备注或适用车型 Remarks or Serial No.
1	R453-312000-000	空气滤清器总成 Air cleaner	1	
2	G006170-000008-00	螺母M8 Nut	2	
3	R453-310002-000	抱箍 Clamp	1	
4	Q676B-89-G00	蜗杆传动式软管环箍 89 Clamp	4	
5	R455-310001-000	发动机进气管 Air intake pipe	1	Ⓚ Ⓛ Ⓚ1 Ⓛ1
5	R456-310001-000	发动机进气管 Air intake pipe	1	Ⓢ Ⓣ
6	R450-310002-000	进气管 Air intake pipe	1	
7	Q672-28-G00	双钢丝式环箍 28 Clamp	2	
8	R453-310004-000	低压胶管 pipe	1	Ⓚ Ⓛ Ⓚ1 Ⓛ1
8	R456-310002-000	低压进气胶管 pipe	1	Ⓢ Ⓣ
9	R453-311000-000	空滤器支架 Bracket	1	
10	G005783-008025-00	螺栓 M8×25 Bolt	2	
11	G005783-008020-00	螺栓 M8×20 Bolt	2	
12	GB00093-000008-000	垫圈 8 Washer 8	2	
13	G005783-006020-00	螺栓 M6×20 Bolt	1	Ⓚ Ⓛ Ⓚ1 Ⓛ1

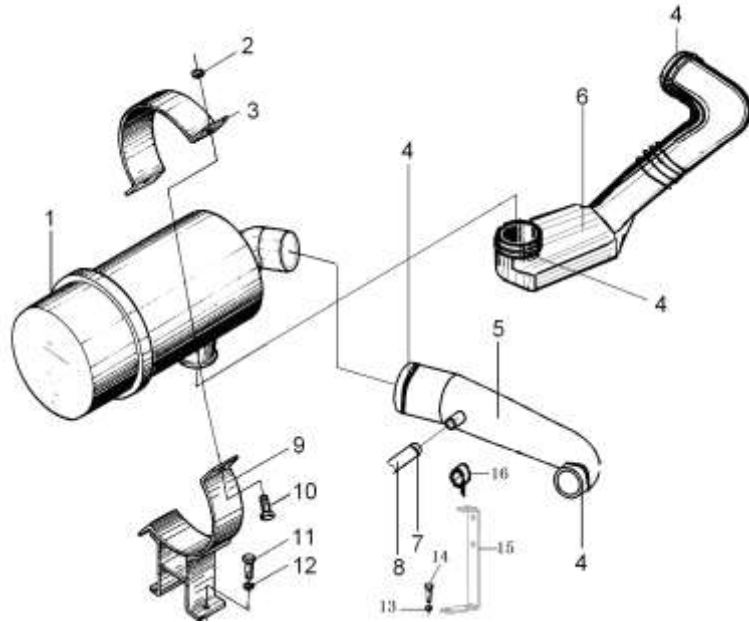
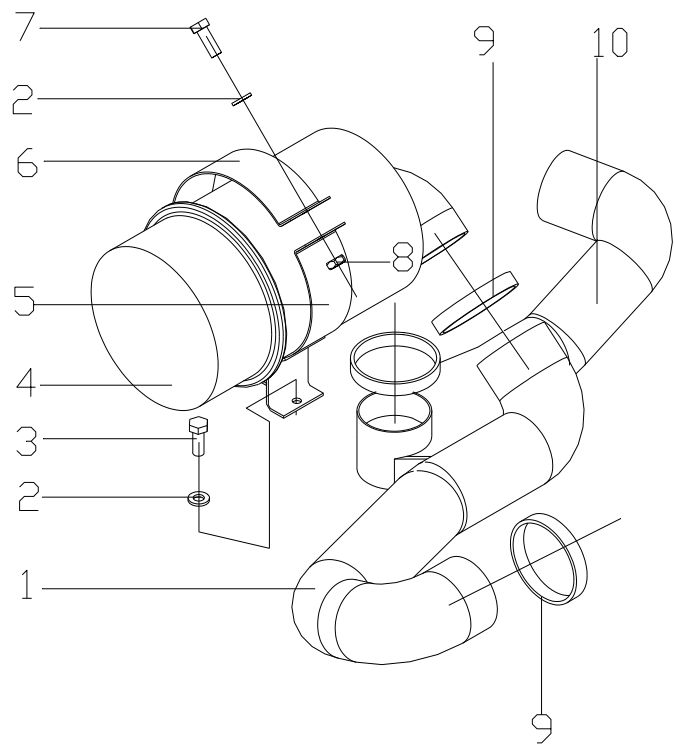


图 13 进气系统
Fig.13 Air intake system

© CPCD40/45-RW35 © CPCD50-RXW35



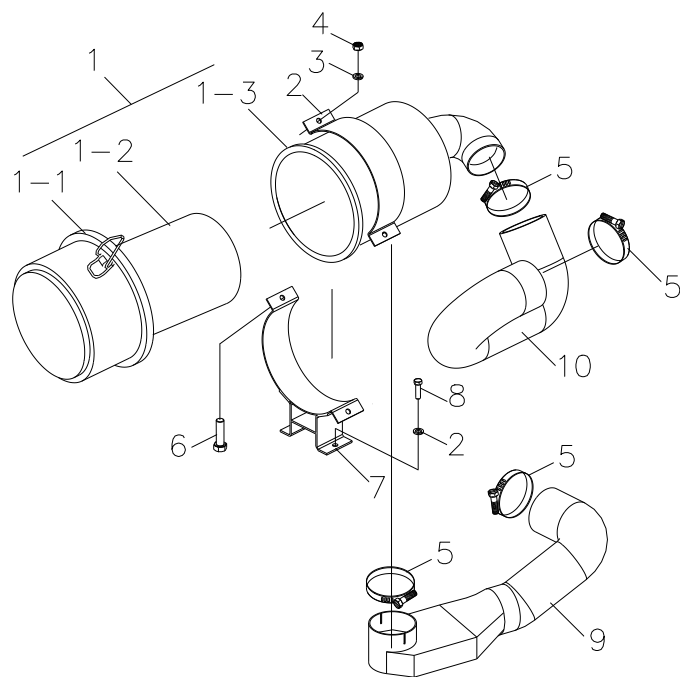
序号 Item	物料码 Part No.	名称 Description	数量 Qty	备注或适用车型 Remarks or Serial No.
1	R457-312000-000	发动机进气管 Air intake pipe	1	
2	G000093-000008-00	垫圈8 Washer	4	
3	G005783-008020-00	螺栓 M8×20 Bolt	2	
4	R453-312000-000	空气滤清器总成 Air cleaner	1	
5	R453-311000-000	空滤器支架 Bracket	1	
6	R453-310002-000	抱箍 Clamp	1	
7	G005783-008025-00	螺栓 M8×25 Bolt	2	
8	G006170-000008-00	螺母M8 Nut	2	
9	Q676B-89-G00	蜗杆传动式软管环箍89 Clamp	4	
10	R450-310002-000	进气管 Air intake pipe	1	

图 14 进气系统
Fig.14 Air intake system

Ⓜ CPCD40/45-RG42

Ⓜ CPCD50-RXG42

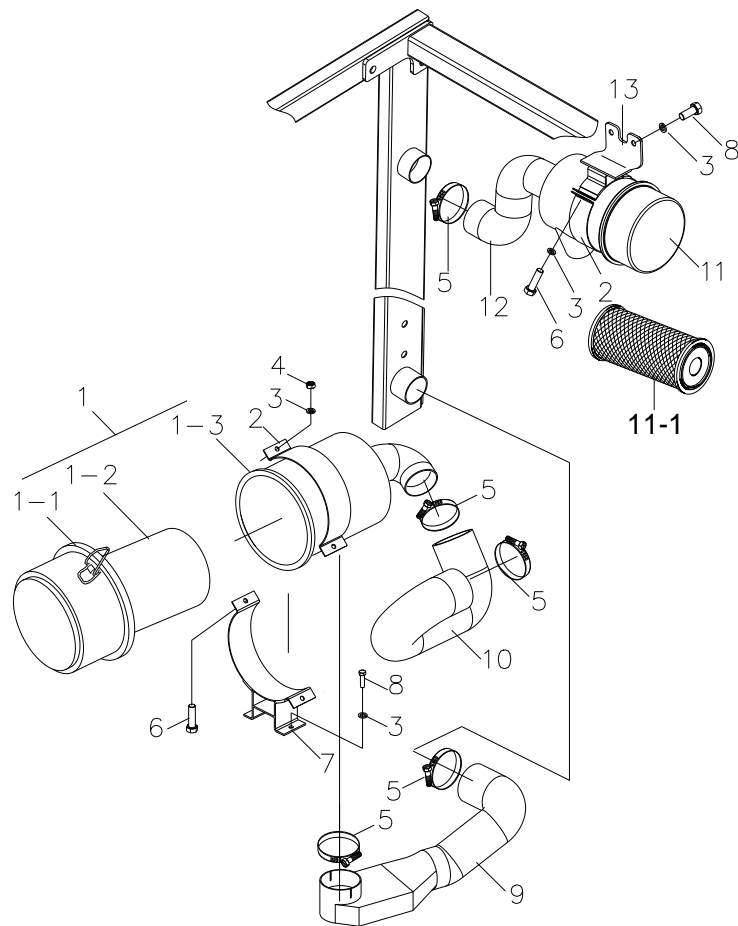
Ⓜ CPC50-RXG42



序号 Item	物料码 Part No.	名称 Description	数量 Qty	备注或适用车型 Remarks or Serial No.
1	R453-312000-000	空气滤清器总成 Air cleaner	1	
1-1	NO PART NO.	滤清器盖 Cover	1	
1-2	P827653	滤芯 Filter paper	1	
1-3	NO PART NO.	滤清器壳 body	1	
2	R453-310003-000	抱箍 Clamp	1	
3	G000093-000008-00	垫圈8 Washer 8	4	
4	G006170-000008-00	螺母M8 Nut M8	2	
5	Q676B-89-G00	蜗杆传动式软管环箍89 Clamp	4	
6	G005783-008025-00	螺栓M8×25 Bolt M8×25	2	
7	R453-311000-000	空滤器支架 Bracket	1	
8	G005783-008020-00	螺栓M8×20 Bolt M8×20	2	
9	R450-310002-000	进气管 Air intake pipe	1	
10	R459-310001-000	发动机进气管 Air intake pipe	1	Ⓜ Ⓜ
10	R479-310001-000	发动机进气管 Air intake pipe	1	Ⓜ

图 14-A 进气系统
Fig.14-A Air intake system

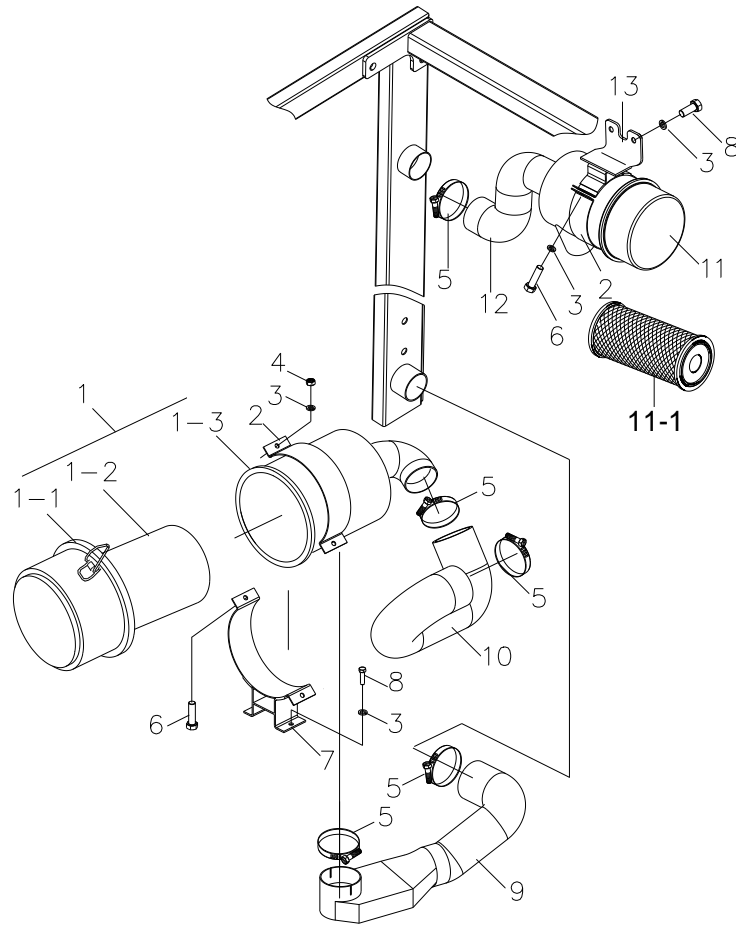
Ⓢ CPC45-RG42-S



序号 Item	物料码 Part No.	名称 Description	数量 Qty	备注或适用车型 Remarks or Serial No.
1	R453-312000-000	空气滤清器总成 Air cleaner	1	
1-1	NO PART NO.	滤清器盖 Cover	1	
1-2	P827653	滤芯 Filter paper	1	
1-3	NO PART NO.	滤清器壳 body	1	
2	R450-310003-000	抱箍 Clamp	2	
3	G000093-000008-00	垫圈8 Washer 8	4	
4	G006170-000008-00	螺母M8 Nut M8	2	
5	Q676B-89-G00	蜗杆传动式软管环箍89 Clamp	4	
6	G005783-008025-00	螺栓M8×25 Bolt M8×25	2	
7	R453-311000-000	空滤器支架 Bracket	1	
8	G005783-008020-00	螺栓M8×20 Bolt M8×20	2	
9	R450-310002-000	进气管 Air intake pipe	1	
10	R459-310001-000	发动机进气管 Air intake pipe	1	
11	R450-312000-000	空气滤清器总成 Air cleaner	1	
11-1	KW1526	滤芯 Filter paper	1	

图 14-A 进气系统
Fig.14-A Air intake system

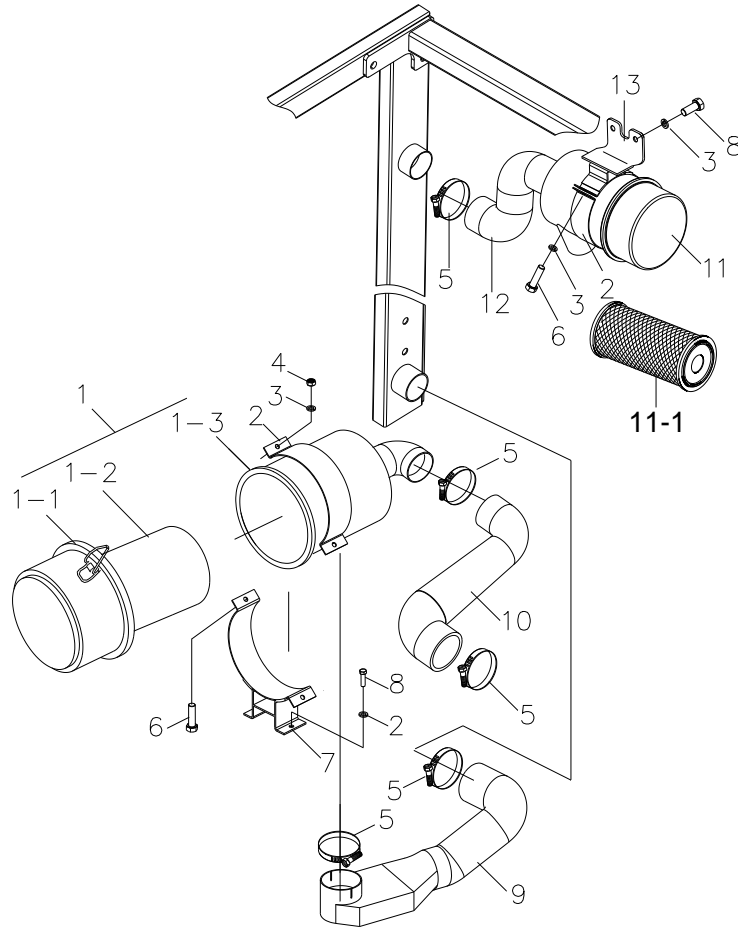
Ⓢ CPC45-RG42-S



序号 Item	物料码 Part No.	名称 Description	数量 Qty	备注或适用车型 Remarks or Serial No.
12	RS450-310002-000	进气管 Air intake pipe	1	
13	AS450-311000-000	空滤器安装板 Bracket	1	

图 15 进气系统
Fig.15 Air intake system

® CPC45-RG34-S ⊗ CPC45-RG43-S

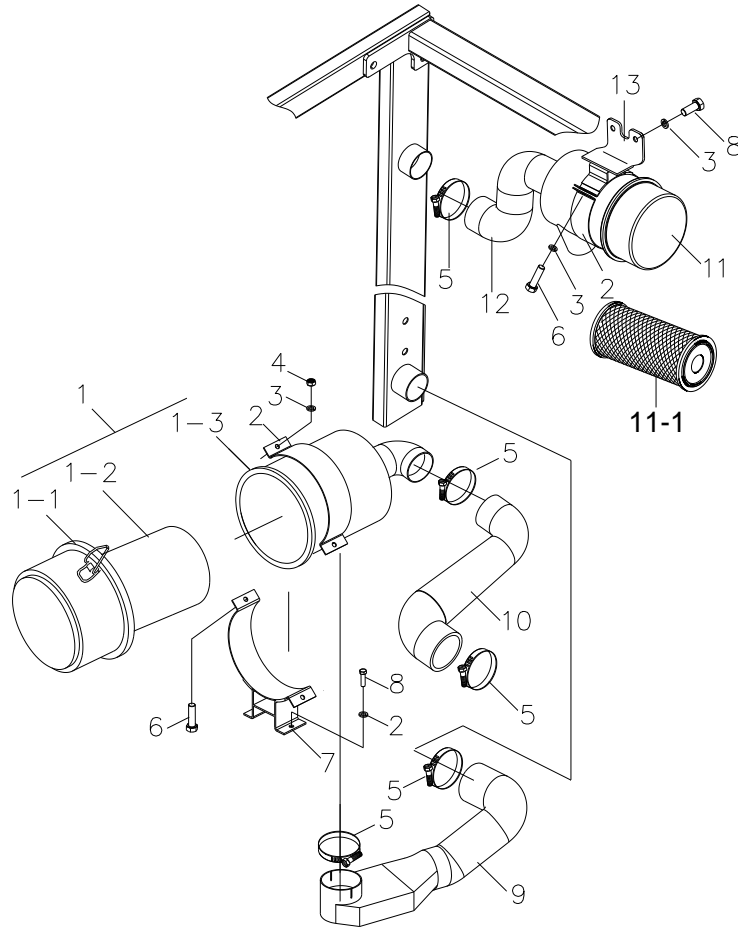


序号 Item	物料码 Part No.	名称 Description	数量 Qty	备注或适用车型 Remarks or Serial No.
1	R450-312000-000	空气滤清器总成 Air cleaner	1	®
1	R441-312000-000	空气滤清器总成 Air cleaner	1	⊗
1-1	NO PART NO.	滤清器盖 Cover	1	
1-2	KW1526	滤芯 Filter paper	1	
1-3	NO PART NO.	滤清器壳 body	1	
2	R450-310003-000	抱箍 Clamp	2	
3	G000093-000008-00	垫圈8 Washer 8	4	
4	G006170-000008-00	螺母M8 Nut M8	2	
5	Q676B-89-G00	蜗杆传动式软管环箍89 Clamp	4	
6	G005783-008025-00	螺栓M8×25 Bolt M8×25	2	
7	R450-311000-000	空滤器支架 Bracket	1	
8	G005783-008020-00	螺栓M8×20 Bolt M8×20	2	
9	R450-310002-000	进气管 Air intake pipe	1	
10	RS450-310001-000	发动机进气管 Air intake pipe	1	®
10	RS451-310001-000	发动机进气管 Air intake pipe	1	⊗

图 15 进气系统
Fig.15 Air intake system

® CPC45-RG34-S

⊗ CPC45-RG43-S



序号 Item	物料码 Part No.	名称 Description	数量 Qty	备注或适用车型 Remarks or Serial No.
11	R450-312000-000	空气滤清器总成 Air cleaner	1	
11-1	KW1526	滤芯 Filter paper	1	
12	RS450-310002-000	进气管 Air intake pipe	1	
13	RS450-311000-000	空滤器支架 Bracket	1	®, <2014-01-01
13	AS450-311000-000	空滤器安装板 Bracket	1	® ⊗, ≥2014-01-01

图 16 排气系统
Fig. 16 Exhaust system

Ⓐ CPCD40/45-RG24 Ⓑ CPCD50-RXG24 Ⓒ CPC40/45-RG31 Ⓓ CPCD40/45-RW35
Ⓔ CPCD50-RXW35

序号 Item	物料码 Part No.	名称 Description	数量 Qty	备注或适用车型 Remarks or Serial No.
1	G005783-010030-00	螺栓M10×30 Bolt M10×30	3	Ⓒ Ⓓ
2	G000093-000010-00	垫圈10 Washer10	3	Ⓒ Ⓓ
3	R450-321000-000	排气管 Exhaust pipe	1	Ⓐ
3	R480-321000-000	排气管 Exhaust pipe	1	Ⓑ
3	R441-321000-000	排气管 Exhaust pipe	1	Ⓒ
3	R457-321000-000	排气管 Exhaust pipe	1	Ⓓ
3	R487-321000-000	排气管 Exhaust pipe	1	Ⓔ
4	R450-323000-000	抱箍 Clamp	1	
5	G006170-000008-00	螺母M8 Nut	2	
6	R450-322000-000	消声器总成 Muffler assy	1	
7	G000093-000008-00	垫圈8 Washer	4	
8	N163-320100-000	环状减震垫 Shock pad	4	
9	G005783-008065-00	螺栓M8×65 Bolt M8×65	2	

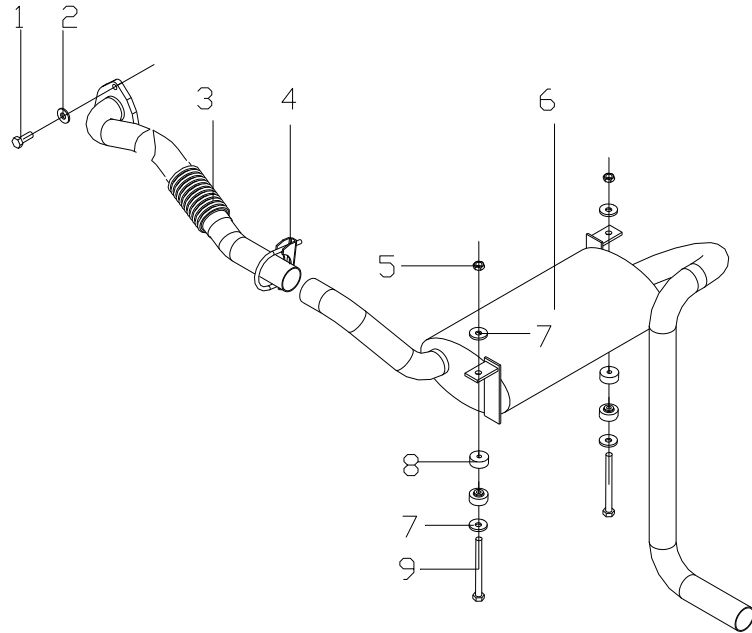


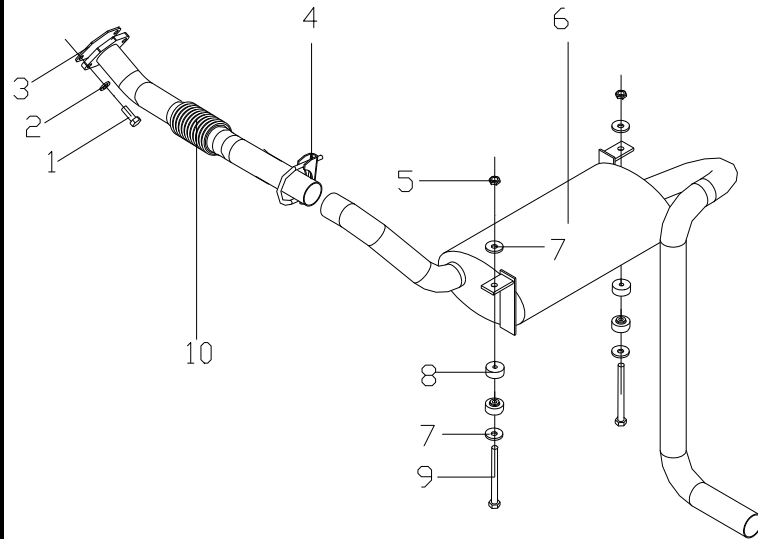
图 17 排气系统
Fig. 17 Exhaust system

Ⓓ CPC50-RXG24

Ⓔ CPCD40/45-RG42

Ⓕ CPCD50-RXG42

Ⓖ CPC50-RXG42



序号 Item	物料码 Part No.	名称 Description	数量 Qty	备注或适用车型 Remarks or Serial No.
1	G005783-010035-00	螺栓M10×35 Bolt M10×35	2	Ⓓ
1	G005783-008030-00	螺栓M8×30 Bolt M8×30	4	Ⓔ Ⓕ Ⓖ
2	G000093-000010-00	垫圈10 Washer10	2	Ⓓ
2	G000096-000008-00	垫圈8 Washer 8	4	Ⓔ Ⓕ Ⓖ
3	R470-320001-000	垫片 Gasket	1	Ⓓ
3	GK700-320001-G00	垫片 Gasket	1	Ⓔ Ⓕ Ⓖ
4	R450-323000-000	抱箍 Clamp	1	
5	G006170-000008-00	螺母M8 Nut	2	
6	R450-322000-000	消声器总成 Muffler assy	1	
7	G000093-000008-00	垫圈8 Washer	4	
8	N163-320100-000	环状减震垫 Shock pad	4	
9	G005783-008065-00	螺栓M8×65 Bolt M8×65	2	
10	R470-321000-000	排气管 Exhaust pipe	1	Ⓓ
10	R459-321000-000	排气管 Exhaust pipe	1	Ⓔ
10	R489-321000-000	排气管 Exhaust pipe	1	Ⓕ

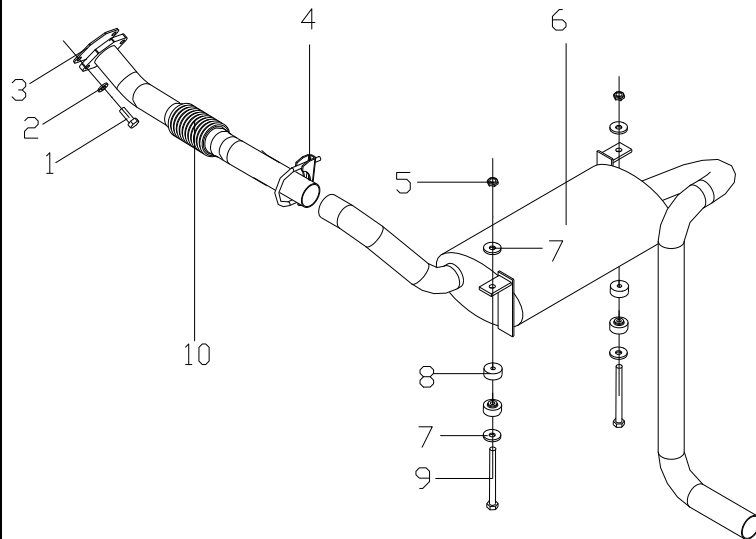
图 17 排气系统
 Fig. 17 Exhaust system

① CPC50-RXG24

② CPCD40/45-RG42

③ CPCD50-RXG42

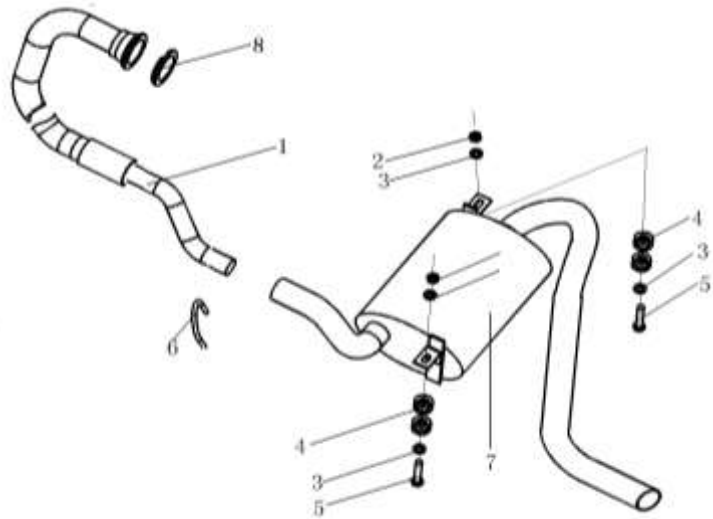
④ CPC50-RXG42



序号 Item	物料码 Part No.	名称 Description	数量 Qty	备注或适用车型 Remarks or Serial No.
10	R479-321000-000	排气管 Exhaust pipe	1	④

图 18 排气系统
Fig. 18 Exhaust system

Ⓔ CPCD40/45-RW5 Ⓕ CPCD50-RXW5



序号 Item	物料码 Part No.	名称 Description	数量 Qty	备注或适用车型 Remarks or Serial No.
1	R454-321000-000	排气管 Exhaust pipe	1	Ⓔ
1	R484-321000-000	排气管 Exhaust pipe	1	Ⓕ
2	G006170-000008-00	螺母M8 Nut	2	
3	G000093-000008-00	垫圈8 Washer	4	
4	N163-320100-000	环状减震垫 Shock pad	4	
5	G005783-008065-00	螺栓M8×65 Bolt M8×65	2	
6	R450-323000-000	抱箍 Clamp	1	
7	R450-322000-000	消声器总成 Muffler assy	1	
8	R454-323000-G00	卡箍 Clamp	1	3903652-G00

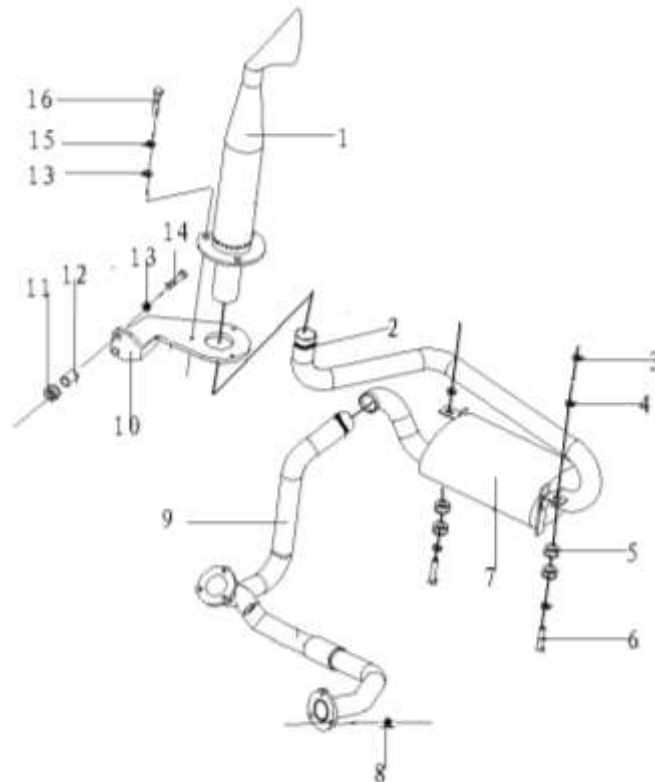
图 19 排气系统
Fig. 19 Exhaust system

Ⓒ CPYD40/45-RW17
Ⓚ CPYD40/45-RW57

Ⓗ CPYD50-RXW17
Ⓛ CPYD50-RXW57

Ⓚ CPQYD40/45-RW57

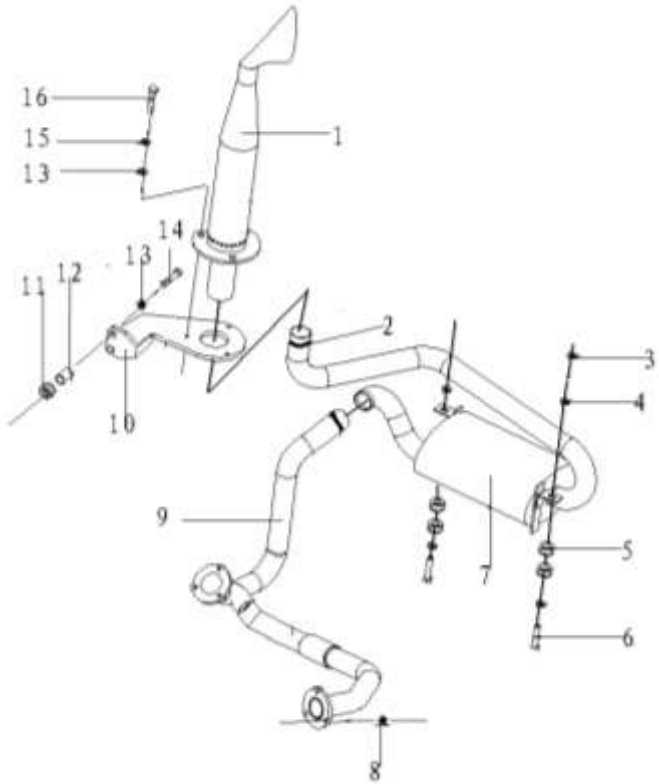
Ⓛ CPQYD50-RXW57



序号 Item	物料码 Part No.	名称 Description	数量 Qty	备注或适用车型 Remarks or Serial No.
1	R453-325000-000	排气尾管 Exhaust pipe	1	
2	R450-323000-000	抱箍 Clamp	2	
3	G006170-000008-00	螺母M8 Nut	2	
4	G000093-000008-00	垫圈8 Washer	4	
5	N163-320100-000	环状减震垫 Shock pad	4	
6	G005783-008065-00	螺栓M8X65 Bolt M8X65	2	
7	R453-322000-000	消声器总成 Muffler assy	1	Ⓒ Ⓚ Ⓚ1
7	R483-322000-000	消声器总成 Muffler assy	1	Ⓗ Ⓛ Ⓛ1
8	R453-320003-000	垫圈 Washer		
9	R453-321000-000	排气管 Exhaust pipe	1	Ⓒ Ⓚ Ⓚ1
9	R483-321000-000	排气管 Exhaust pipe	1	Ⓗ
9	R485-326000-000	排气管 Exhaust pipe	1	Ⓛ Ⓛ1
10	R453-324000-000	安装支座 Bracket	1	
11	R453-320001-000	减震垫 Shock pad	4	
12	R453-320002-000	套筒 Pipe	2	

图 19 排气系统
Fig. 19 Exhaust system

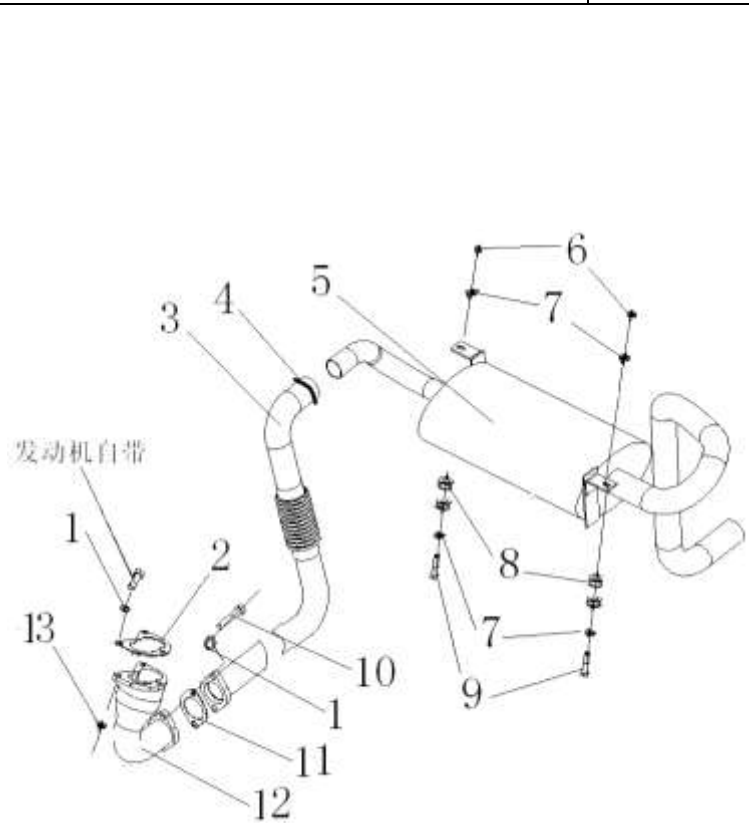
© CPYD40/45-RW17 Ⓜ CPYD50-RXW17 Ⓚ CPQYD40/45-RW57 Ⓛ CPQYD50-RXW57
 Ⓚ1 CPYD40/45-RW57 Ⓛ1 CPYD50-RXW57



序号 Item	物料码 Part No.	名称 Description	数量 Qty	备注或适用车型 Remarks or Serial No.
13	G000096-000010-00	垫圈10 Washer	5	
14	G005783-010035-00	螺栓M10×35 Bolt	2	
15	G000093-000010-00	垫圈10 Washer	3	
16	G005783-010030-00	螺栓M10×30 Bolt	3	

图 20 排气系统
Fig. 20 Exhaust system

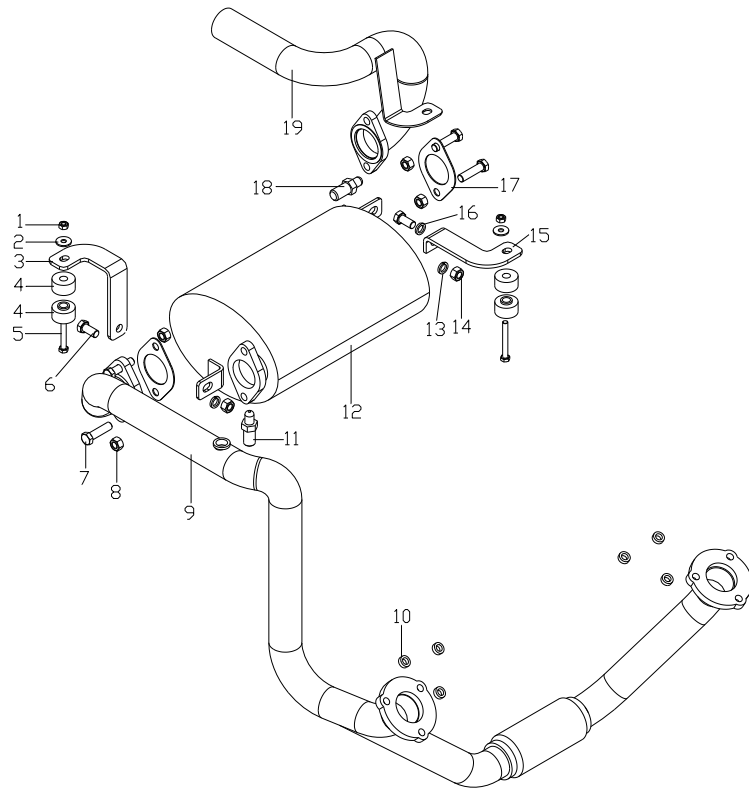
① CPCD40/45-RW19 ② CPCD50-RXW19



序号 Item	物料码 Part No.	名称 Description	数量 Qty	备注或适用车型 Remarks or Serial No.
1	G000093-000010-00	垫圈10 Washer 10	3	
2	50DCW19-320002	垫片 Gasket	1	
3	R452-321000-000	排气管 Exhaust pipe	1	①
3	R482-321000-000	排气管 Exhaust pipe	1	②
4	R450-323000-000	抱箍 Clamp	1	
5	R452-322000-000	消声器总成 Muffler assy	1	
6	G006170-000008-00	螺母M8 Nut M8	2	
7	G000093-000008-00	垫圈8 Washer8	4	
8	N163-320100-000	环状减震垫 Shock pad	4	
9	G005783-008065-00	螺栓M8×65 Bolt M8×65	2	
10	G005783-010030-00	螺栓M10×30 Bolt	2	
11	40DHW19-320002	垫片 Gasket	1	
12	40DHW19-320001	排气接管 Exhaust pipe	1	
13	G006170-000010-00	螺母M10 Nut M10	3	

图 21 排气系统
Fig.21 Exhaust system

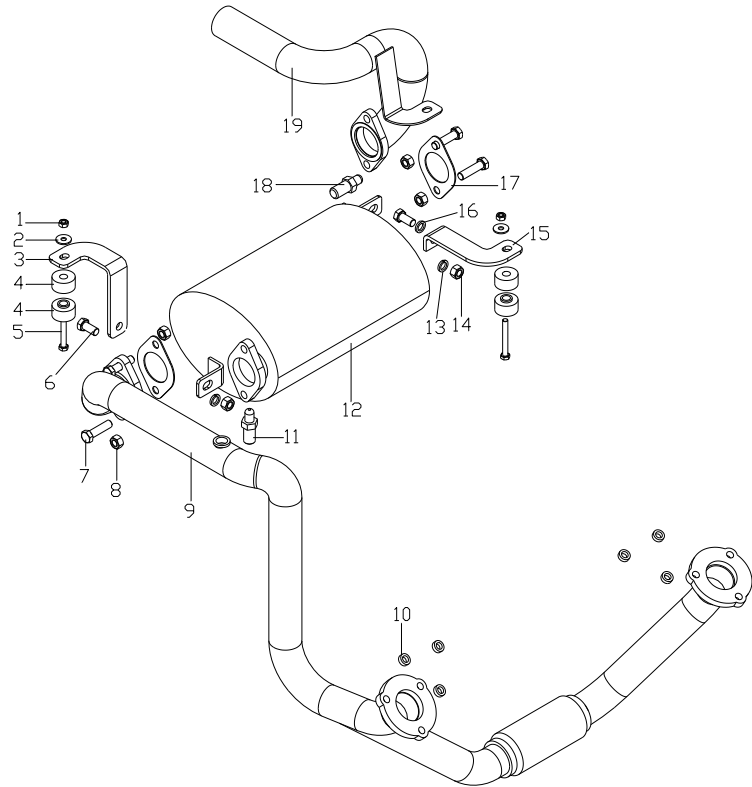
Ⓢ CPYD40/45-RW24 Ⓣ CPYD50-RXW24



序号 Item	物料码 Part No.	名称 Description	数量 Qty	备注或适用车型 Remarks or Serial No.
1	G001337-000008-00	垫圈8 Washer	4	
2	G001337-000008-00	螺母M8 Nut	2	
3	R456-320001-000	消声器左过渡支架 Bracket (left)	1	
4	N163-320100-000	环状减震垫 Shock pad	4	
5	G005783-008065-00	螺栓M8X65 Bolt M8X65	2	
6	G005783-012025-00	螺栓M12×25 Bolt M12×25	2	
7	G005783-012040-00	螺栓M12×40 Bolt M12×40	4	
8	G006184-000012-00	螺母M12 Nut M12	4	
9	R456-321000-000	排气管 Exhaust pipe	1	
9	R486-321000-000	排气管 Exhaust pipe	1	
10	R453-320003-000	垫圈 Washer	6	
11	R456-320004-W00	氧传感器1 EGOS 1	1	发动机自带 supply by engine
12	GR512-322000-G00	消声器总成 Muffler assy	1	发动机自带 supply by engine
13	G000093-000012-00	垫圈12 Washer	2	
14	G006170-000012-00	螺母M12 Nut M12	2	

图 21 排气系统
Fig.21 Exhaust system

Ⓢ CPYD40/45-RW24 Ⓣ CPYD50-RXW24



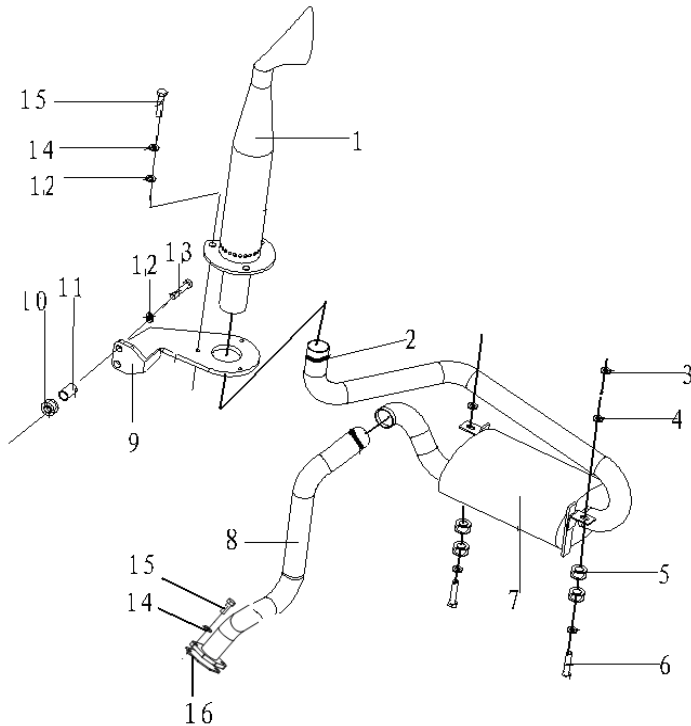
序号 Item	物料码 Part No.	名称 Description	数量 Qty	备注或适用车型 Remarks or Serial No.
15	R456-320002-000	消声器右过渡支架 Bracket(right)	1	
16	G000096-000012-00	垫圈12 Washer	2	
17	R456-320003-000	垫片 gasket	2	
18	R456-320005-W00	氧传感器2 EGOS 2	1	发动机自带 supply by engine
19	R456-323000-000	排气尾管 Exhaust tail pipe	1	

图 22 排气系统
Fig.22 Exhaust system

® CPC45-RG34-S

⊗ CPC45-RG43-S

Ⓜ CPC45-RG42-S



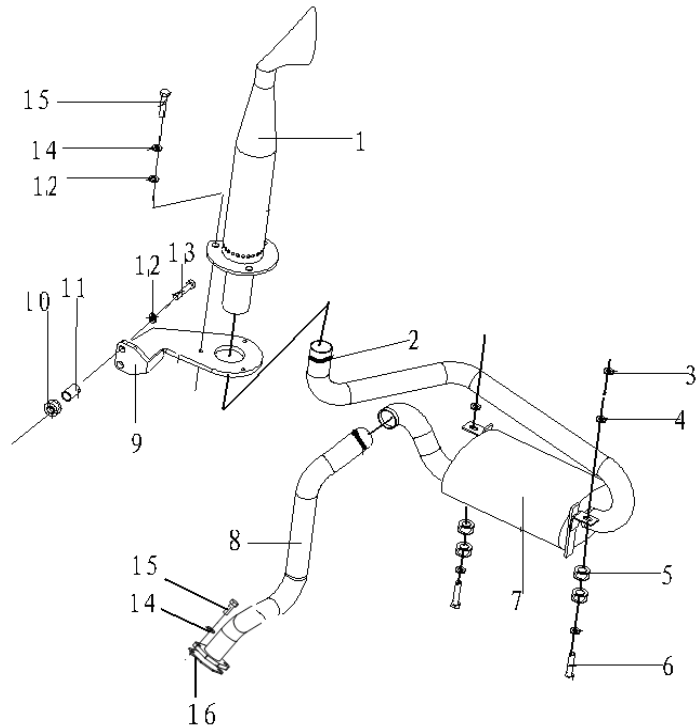
序号 Item	物料码 Part No.	名称 Description	数量 Qty	备注或适用车型 Remarks or Serial No.
1	R453-325000-000	排气尾管 Exhaust pipe	1	
2	R450-323000-000	抱箍 Clamp	3	
3	G006170-000008-00	螺母M8 Nut	2	
4	G000093-000008-00	垫圈8 Washer	2	
5	N163-320100-000	环状减震垫 Shock pad	4	
6	G005783-008065-00	螺栓M8X65 Bolt M8X65	2	
7	RS450-322000-000	消声器总成 Muffler assy	1	
8	RS450-321000-000	排气管 Exhaust pipe	1	®
8	RS451-321000-000	排气管 Exhaust pipe	1	⊗
8	R479-321000-000	排气管 Exhaust pipe	1	Ⓜ
9	RS450-324000-000	安装支座 Bracket	1	
10	R453-320001-000	减振垫 Dampener	2	
11	R453-320002-000	套筒 Pipe	2	
12	G000096-000010-00	垫圈10 Washer	3	
13	G005783-010035-00	螺栓M10x35 Bolt M10x35	2	

图 22 排气系统
Fig.22 Exhaust system

® CPC45-RG34-S

⊗ CPC45-RG43-S

Ⓜ CPC45-RG42-S



序号 Item	物料码 Part No.	名称 Description	数量 Qty	备注或适用车型 Remarks or Serial No.
14	G000093-000010-00	垫圈10 Washer	6	
15	G005783-010030-00	螺栓M10×30 Bolt M10×30	5	
16	RS450-320001-W00	垫片 Washer	1	

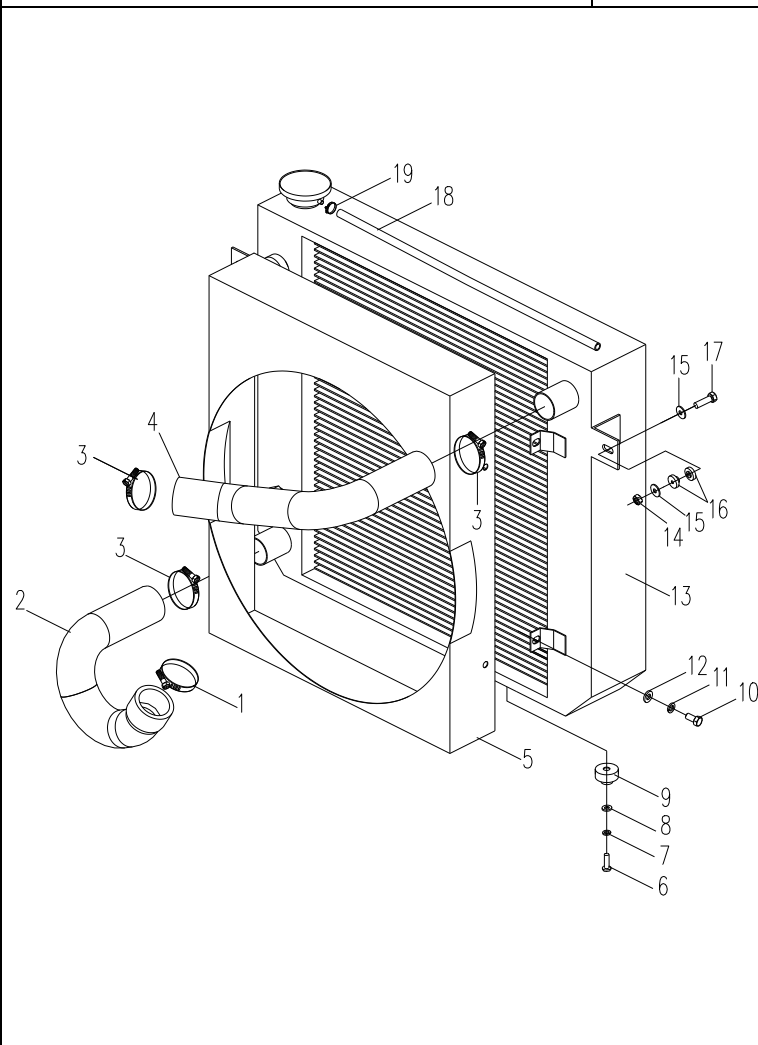
图 23 冷却系统
Fig. 23 Cooling system

Ⓐ CPCD40/45-RG24 Ⓑ CPCD50-RXG24

序号 Item	物料码 Part No.	名称 Description	数量 Qty	备注或适用车型 Remarks or Serial No.
1	Q672-58-G00	双钢丝式环箍58 Clamp 58	1	
2	R450-330002-000	散热器出水管 Rubber pipe for outlet	1	
3	Q672-52-G00	双钢丝式环箍52 Clamp 52	3	
4	R450-330001-000	散热器进水管 Rubber pipe for inlet	1	
5	R450-332000-000	护风圈总成 Fan shroud assy	1	<2014-02-01
5	A460-332000-000	护风圈总成 Fan shroud assy	1	≥2014-02-01
6	G000067-006012-00	螺钉M6×12 Screw M6×12	2	
7	G000093-000006-00	垫圈6 Washer 6	2	
8	G0097P1-000006-00	垫圈6 Washer 6	2	
9	R450-330100-000	环状减震器 Shock pad	2	
10	G005783-008016-00	螺栓M8×16 Bolt M8×16	4	
11	G000093-000008-00	垫圈8 Washer 8	4	
12	G0097P1-000008-00	垫圈8 Washer 8	4	
13	R450-331000-000	散热器总成 Radiator assy	1	<2014-02-01
13	A460-331000-001	散热器总成 Radiator assy	1	≥2014-02-01

图 23 冷却系统
Fig. 23 Cooling system

Ⓐ CPCD40/45-RG24 Ⓑ CPCD50-RXG24

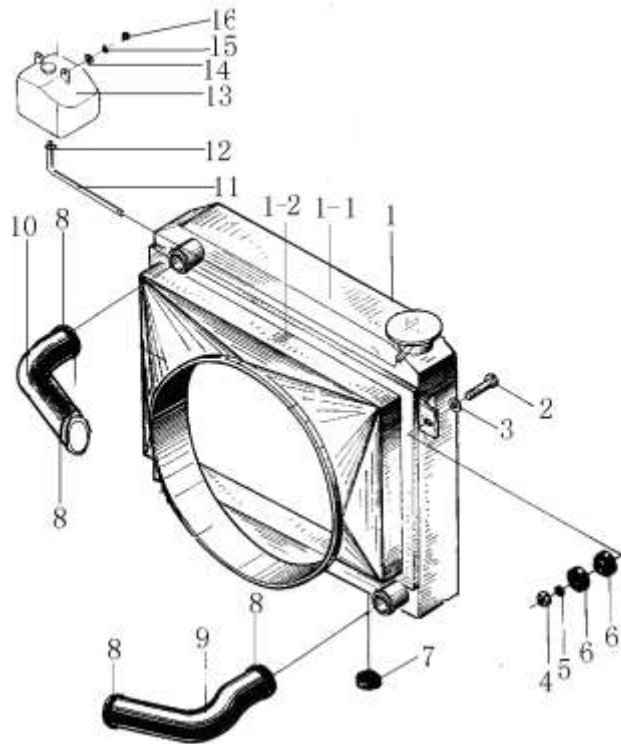


序号 Item	物料码 Part No.	名称 Description	数量 Qty	备注或适用车型 Remarks or Serial No.
14	G001337-000008-00	螺母 M8 Nut M8	2	
15	G000096-000008-00	垫圈 8 Washer 8	4	
16	30DH-322000	环状减震器 Shock pad	4	
17	G005783-008050-00	螺栓 M8×50 Bolt M8×50	2	
18	A300-330003-W00	输水胶管Φ8×Φ12 PipeΦ8×Φ12	1	
19	Q672-12-G00	双钢丝式环箍12 Clamp 12	1	

图 24 冷却系统
Fig. 24 Cooling system

<2014-02-01

© CPC40/45-RG31

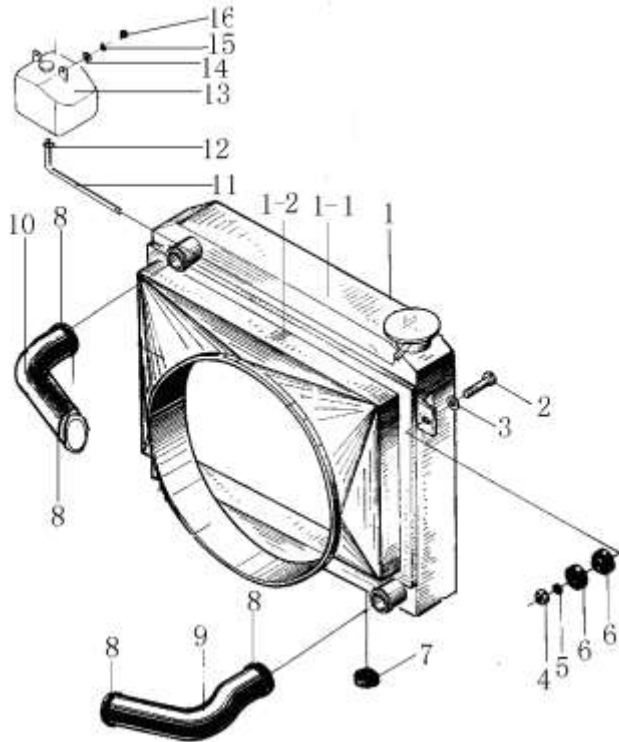


序号 Item	物料码 Part No.	名称 Description	数量 Qty	备注或适用车型 Remarks or Serial No.
1	30HB-331000A	散热器护风圈总成 Fan shroud and Radiator assy	1	
1-1	30HB-331100A	散热器总成 Radiator assy	1	
1-2	R441-332000-000	护风圈总成 Fan shroud assy	1	
2	G005783-008016-00	螺栓M8×50 Bolt M8×50	2	
3	G0097P1-000008-00	垫圈8 Nut 8	2	
4	G001337-000008-00	螺母 M8 Nut M8	2	
5	30HB-330003A	垫片 Washer	2	
6	30DH-322000	环状减震垫 Shock pad	4	
7	30HB-330004A	垫块 Shock pad	2	
8	Q672-52-G00	双钢丝式环箍 52 Clamp	4	
9	R441-330002-000	散热器出水管 Rubber pipe for outlet	1	
10	R441-330001-000	散热器进水管 Rubber pipe for inlet	1	
11	R453-330005-W00	输水胶管 Φ8×Φ12 Pipe for water inlet	1	
12	Q672-12-G00	双钢丝式环箍12 Clamp	1	
13	N163-330100-G00	膨胀水箱2171040K01 Expansion water box	1	<2013-09-01

图 24 冷却系统
Fig. 24 Cooling system

<2014-02-01

© CPC40/45-RG31

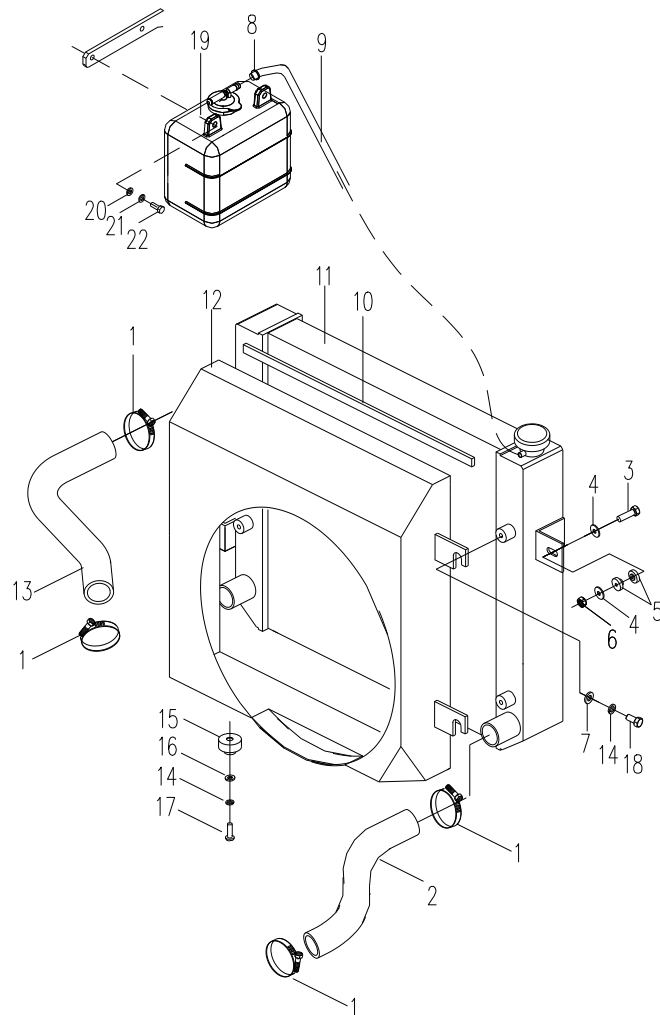


序号 Item	物料码 Part No.	名称 Description	数量 Qty	备注或适用车型 Remarks or Serial No.
13	XF250-330200-000	膨胀水箱 Expansion water box	1	≥2013-09-01 容积增大 Volume increase
14	G000093-000006-00	垫圈 6 Washer	2	
15	G000096-000006-00	垫圈 6 Washer	2	
16	G005783-006018-00	螺栓 M6×18 Bolt	2	

图 24-1 冷却系统
Fig. 24-1 Cooling system

≥2014-02-01

© CPC40/45-RG31

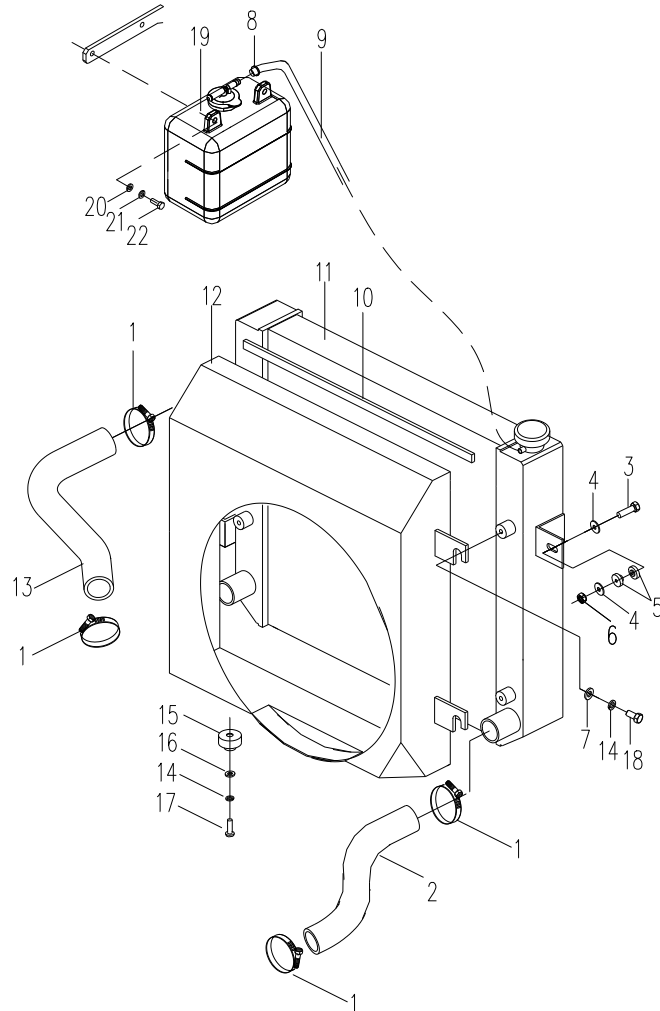


序号 Item	物料码 Part No.	名称 Description	数量 Qty	备注或适用车型 Remarks or Serial No.
1	Q672-48-G00	双钢丝式环箍48 Clamp 48	4	
2	R441-330002-000	散热器出水管 Rubber pipe for outlet	1	
3	G005783-008050-00	螺栓 M8×50 Bolt M8×50	2	
4	G000096-000008-00	垫圈 8 Washer 8	4	
5	30DH-322000	环状减震器 Shock pad	4	
6	G001337-000008-00	螺母 M8 Nut M8	2	
7	G000096-000006-00	垫圈 6 Washer 6	4	
8	Q672-12-G00	双钢丝式环箍12 Clamp 12	1	
9	R453-330005-W00	输水胶管Φ8×Φ12 PipeΦ8×Φ12	2	
10	N163-330003-000	密封条 Seal Strip	1	
11	R441-331000-000	散热器总成 Radiator assy	1	
12	R441-332000-001	护风圈总成 Fan shroud assy	1	
13	R441-330001-001	散热器进水管 Rubber pipe for inlet	1	Ⓚ Ⓛ
14	G000093-000006-00	垫圈 6 Washer 6	4	
15	R450-330100-000	环状减震器 Shock pad	2	

图 24-1 冷却系统
Fig. 24-1 Cooling system

≥2014-02-01

© CPC40/45-RG31



序号 Item	物料码 Part No.	名称 Description	数量 Qty	备注或适用车型 Remarks or Serial No.
16	G0097P1-000006-00	垫圈 6 Washer 6	2	
17	G000067-006012-00	螺钉 M6×12 Screw M6×12	2	
18	G005783-006018-00	螺栓 M6×18 Bolt M6×18	4	
20	G0097P1-000008-00	垫圈 8 Washer 8	2	
21	G000093-000008-00	垫圈 8 Washer 8	2	
22	G005783-008018-00	螺栓 M8×18 Bolt M8×18	2	

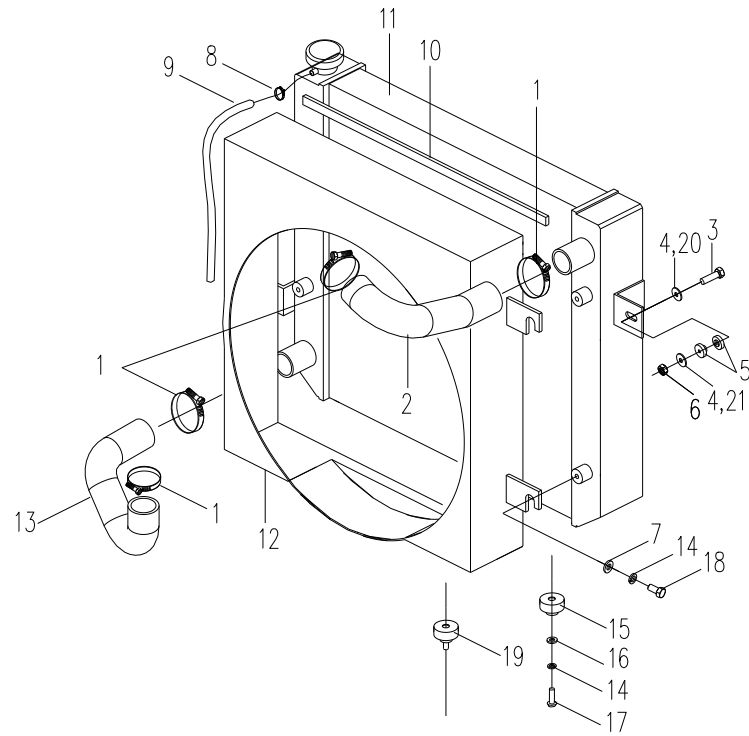
图 25 冷却系统
Fig. 25 Cooling system

© CPC50-RXG24

序号 Item	物料码 Part No.	名称 Description	数量 Qty	备注或适用车型 Remarks or Serial No.
1	Q672-52-G00	双钢丝式环箍52 Clamp 52	4	
2	R470-330001-000	散热器进水管 Rubber pipe for inlet	1	<2014-02-01
	A500-330001-000	散热器进水管 Rubber pipe for inlet	1	≥2014-02-01
3	G005783-008050-00	螺栓 M8×50 Bolt M8×50	2	
4	G000096-000008-00	垫圈 8 Washer 8	2	≥2014-02-01
5	30DH-322000	环状减震器 Shock pad	4	
6	G001337-000008-00	螺母 M8 Nut M8	2	
7	G0097P1-000008-00	垫圈 8 Washer 8	4	<2014-02-01
	G000096-000006-00	垫圈 6 Washer 6	4	≥2014-02-01
8	Q672-12-G00	双钢丝式环箍12 Clamp 12	1	
9	R470-330004-W00	输水胶管Φ8×Φ12 PipeΦ8×Φ12	1	
10	N163-330003-000	密封条 Seal Strip	1	
11	R470-331100-000	散热器总成 Radiator assy	1	<2014-02-01
	A501-331000-000	散热器总成 Radiator assy	1	≥2014-02-01
12	R470-331200-000	护风圈总成 Fan shroud assy	1	<2014-02-01

图 25 冷却系统
Fig. 25 Cooling system

Ⓒ CPC50-RXG24



序号 Item	物料码 Part No.	名称 Description	数量 Qty	备注或适用车型 Remarks or Serial No.
12	A500-332000-001	护风圈总成 Fan shroud assy	1	≥2014-02-01
13	R470-330002-000	散热器出水管 Rubber pipe for outlet	1	
14	G000093-000008-00	垫圈 8 Washer 8	4	<2014-02-01
	G000093-000006-00	垫圈 6 Washer 6	4	≥2014-02-01
15	R450-330100-000	环状减震器 Shock pad	2	≥2014-02-01
16	G0097P1-000006-00	垫圈 6 Washer 6	2	≥2014-02-01
17	G000067-006012-00	螺钉 M6×12 Screw M6×12	4	≥2014-02-01
18	G005783-008025-00	螺栓 M8×25 Bolt M8×25	4	<2014-02-01
	G005783-006018-00	螺栓 M6×18 Bolt M6×18	4	≥2014-02-01
19	30HB-330004A	垫块 Shock pad	2	<2014-02-01
20	G0097P1-000008-00	垫圈 8 Washer 8	2	<2014-02-01
21	30HB-330003A	垫片 Washer	2	<2014-02-01

图 26 冷却系统
Fig. 26 Cooling system

Ⓔ CPCD40/45-RW5 Ⓕ CPCD50-RXW5

序号 Item	物料码 Part No.	名称 Description	数量 Qty	备注或适用车型 Remarks or Serial No.
1	R453-330005-W00	输水胶管 Φ8×Φ12 Pipe for water inlet	1	
2	Q672-12-G00	双钢丝式环箍12 Clamp	2	
3	N163-330100-G00	膨胀水箱2171040K01 Expansion water box	1	<2013-09-01
3	XF250-330200-000	膨胀水箱 Expansion water box	1	≥2013-09-01 容积增大 Volume increase
4	G000093-000006-00	垫圈 6 Washer	2	
5	G0097P1-000008-00	垫圈8 Nut	2	
6	G005783-006018-00	螺栓 M6×18 Bolt	2	
7	R454-332000-000	护风圈总成 Fan shroud assy	1	<2014-02-01
7	R454-332000-001	护风圈总成 Fan shroud assy	1	≥2014-02-01
8	R450-331000-000	散热器总成 Radiator assy	1	<2014-02-01
8	A460-331000-001	散热器总成 Radiator assy	1	≥2014-02-01
9	G001337-000008-00	螺母M8 Nut	2	
10	G000093-000008-00	垫圈8 Washer	4	
11	G0097P1-000008-00	垫圈8 Nut	4	
12	G005783-008016-00	螺栓M8×16 Bolt	4	

图 26 冷却系统
Fig. 26 Cooling system

Ⓔ CPCD40/45-RW5 Ⓕ CPCD50-RXW5

序号 Item	物料码 Part No.	名称 Description	数量 Qty	备注或适用车型 Remarks or Serial No.
13	30DH-322000	环状减震垫 Shock pad	4	
14	G000067-006012-00	螺钉M6×12 screw	2	
15	Q672-52-G00	双钢丝式环箍52 Clamp	2	
16	R454-330001-000	散热器进水管 Rubber pipe for inlet	1	
17	Q672-45-G00	双钢丝式环箍45 Clamp	3	
18	R454-330002-000	散热器出水管 Rubber pipe for outlet	1	
19	Q672-58-G00	双钢丝式环箍58 Clamp	1	
20	G006170-000010-00	螺母M10 Nut M10	4	
21	G000093-000010-00	垫圈10 Washer	4	
22	R453-333000-000	风扇总成 Fan assy	1	
23	G005783-010025-00	螺栓M10×25 Bolt M10×25	4	
24	R454-330003-000	隔套 spacer bush	1	
25	G005783-008040-00	螺栓 M8×40 Bolt	4	

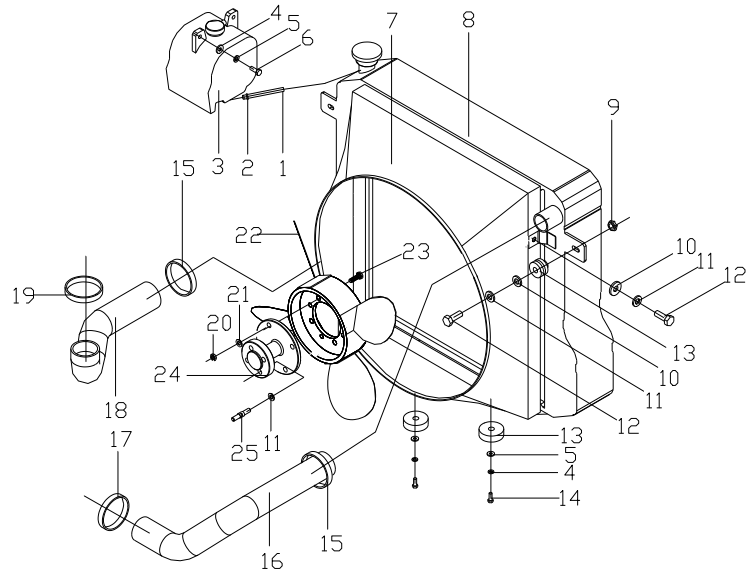


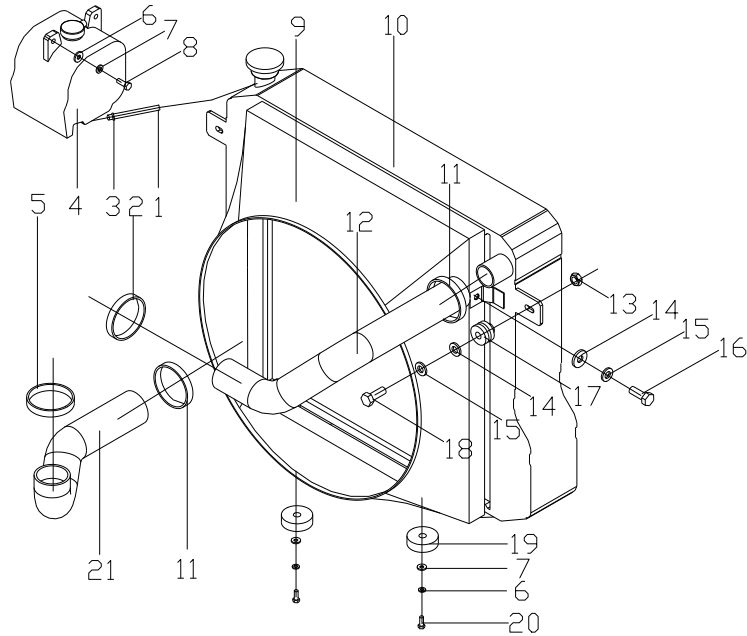
图 27 冷却系统
Fig. 27 Cooling system

© CPCD40/45-RW35 © CPCD50-RXW35

序号 Item	物料码 Part No.	名称 Description	数量 Qty	备注或适用车型 Remarks or Serial No.
1	R457-330005-W00	输水胶管 Φ8×Φ12 Pipe Φ8×Φ12	1	
2	Q672-62-G00	双钢丝式环箍62 Clamp 62	1	
3	Q672-12-G00	双钢丝式环箍12 Clamp 12	2	
4	N163-330100-G00	膨胀水箱2171040K01 Expansion water box	1	
5	Q672-58-G00	双钢丝式环箍58 Clamp 58	1	
6	G000096-000006-00	垫圈6 Nut 6	2	<2014-02-01
6	G0097P1-000008-00	垫圈8 Washer 8	2	≥2014-02-01
7	G000093-000006-00	垫圈6 Washer 6	2	<2014-02-01
7	G000093-000008-00	垫圈8 Washer 8	2	≥2014-02-01
8	G005783-006018-00	螺栓 M6×18 Bolt M6×18	2	<2014-02-01
8	G005783-006020-00	螺栓 M6×20 Bolt M6×20	2	≥2014-02-01
9	R457-331000-000	护风圈总成 Fan shroud assy	1	<2014-02-01
9	XB452-332000-000	护风圈总成 Fan shroud assy	1	≥2014-02-01
10	R457-332000-000	散热器总成 Radiator assy	1	<2014-02-01
10	XB452-331000-000	散热器总成 Radiator assy	1	≥2014-02-01

图 27 冷却系统
Fig. 27 Cooling system

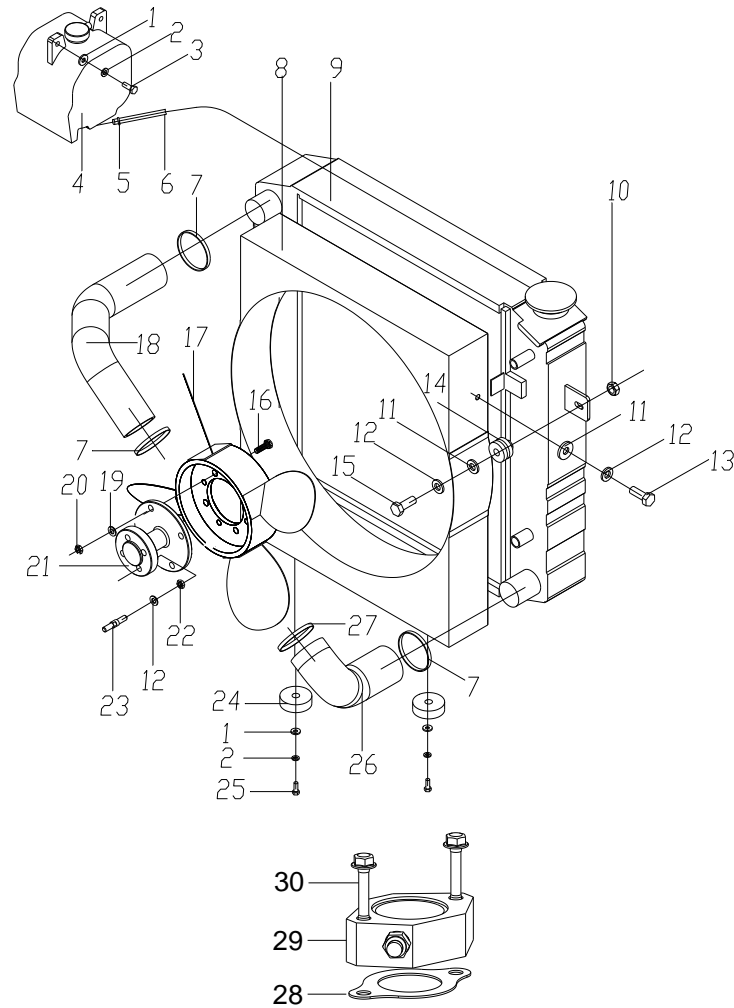
© CPCD40/45-RW35 © CPCD50-RXW35



序号 Item	物料码 Part No.	名称 Description	数量 Qty	备注或适用车型 Remarks or Serial No.
11	Q672-50-G00	双钢丝式环箍50 Clamp 50	2	
12	R457-330001-000	散热器进水管 Rubber pipe for inlet	1	
13	G001337-000008-00	螺母M8 Nut	2	
14	G000096-000006-00	垫圈8 Washer	4	
15	G000093-000008-00	垫圈8 Washer	4	
16	G005783-008016-00	螺栓M8×16 Bolt	4	
17	30DH-322000	环状减震器 Shock pad	4	
18	G005783-008050-00	螺栓 M8×50 Bolt	2	
19	R450-330100-000	环状减震垫 Shock pad	2	
20	G000067-006012-00	螺钉M6×12 screw	2	
21	R457-330002-000	散热器出水管 Rubber pipe for outlet	1	

图 28 冷却系统
Fig. 28 Cooling system

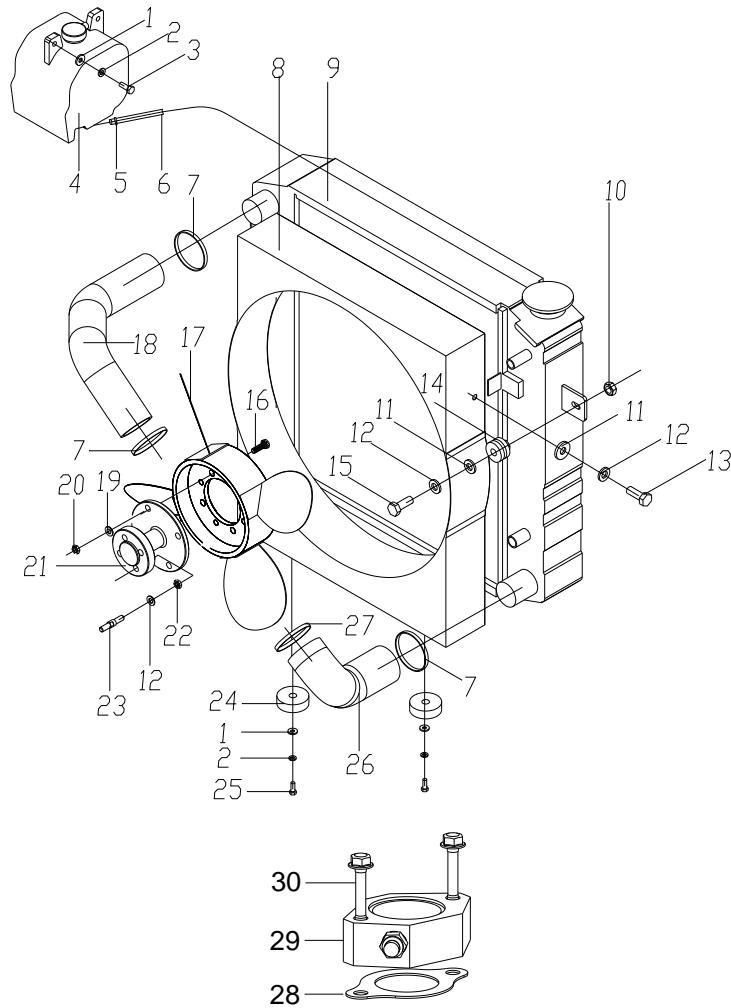
Ⓒ CPYD40/45-RW17 Ⓓ CPYD50-RXW17 Ⓔ CPQYD40/45-RW57 Ⓕ CPQYD50-RXW57
Ⓖ CPYD40/45-RW57 Ⓗ CPYD50-RXW57 Ⓖ CPYD40/45-RW24 Ⓖ CPYD50-RXW24



序号 Item	物料码 Part No.	名称 Description	数量 Qty	备注或适用车型 Remarks or Serial No.
1	G000096-000006-00	垫圈 6 Washer 6	4	<2012-12-01
1	G000096-000008-00	垫圈 8 Washer 8	4	≥2012-12-01
2	G000093-000006-00	垫圈 6 Washer 6	4	<2012-12-01
2	G000093-000008-00	垫圈 8 Washer 8	4	≥2012-12-01
3	G005783-006018-00	螺栓 M6×18 Bolt M6×18	2	<2012-12-01
3	G005783-008020-00	螺栓 M8×20 Bolt M8×20	2	≥2012-12-01
4	N163-330100-G00	膨胀水箱2171040K01 Expansion water box	1	<2012-12-01
4	XF250-330200-000	膨胀水箱 Expansion water box	1	≥2012-12-01 容积增大 Volume increase
5	Q672-12-G00	双钢丝式环箍12 Clamp	2	
6	R453-330005-W00	输水胶管 Φ8×Φ12 Pipe for water inlet	1	
7	Q672-52-G00	双钢丝式环箍 52 Clamp 52	3	
8	R453-332000-000	护风圈总成 Fan shroud assy	1	<2012-12-01 Ⓒ Ⓓ Ⓔ Ⓕ Ⓖ Ⓗ
8	R453-332000-001	护风圈总成 Fan shroud assy	1	2012-12-01 < Item 8 < 2014-02-01 Ⓔ Ⓕ Ⓖ Ⓗ
8	R456-332000-000	护风圈总成 Fan shroud assy	1	<2012-12-01 Ⓖ Ⓗ
8	R453-332000-002	护风圈总成 Fan shroud assy	1	≥2014-02-01 Ⓔ Ⓕ Ⓖ Ⓗ Ⓖ Ⓗ

图 28 冷却系统
Fig. 28 Cooling system

Ⓒ CPYD40/45-RW17 Ⓓ CPYD50-RXW17 Ⓔ CPQYD40/45-RW57 Ⓕ CPQYD50-RXW57
Ⓖ CPYD40/45-RW57 Ⓗ CPYD50-RXW57 Ⓖ CPYD40/45-RW24 Ⓖ CPYD50-RXW24



序号 Item	物料码 Part No.	名称 Description	数量 Qty	备注或适用车型 Remarks or Serial No.
9	R452-332000-000	散热器总成 Radiator assy	1	<2014-02-01
9	R456-331000-000	散热器总成 Radiator assy	1	≥2014-02-01
10	G001337-000008-00	螺母M8 Nut M8	2	
11	G0097P1-000008-00	垫圈8 Washer8	10	
12	G000093-000008-00	垫圈8 Washer8	4	
13	G005783-008016-00	螺栓M8×16 Bolt M8×16	2	
14	30DH-322000	环状减震器 Shock pad	4	
15	G005783-008050-00	螺栓M8×50 Bolt M8×50	2	
16	G005783-010030-00	螺栓 M10×30 Bolt M10×30	4	<2012-12-01
16	G005783-010025-00	螺栓 M10×25 Bolt M10×25	4	≥2012-12-01
17	R453-333000-000	风扇总成 Fan assy	1	
18	R453-330001-000	散热器进水管 Rubber pipe for inlet	1	
19	G000093-000010-00	垫圈10 Washer10	4	
20	G006170-000010-00	螺母 M10 Nut 10	4	<2012-12-01
21	R453-330003-000	垫块 Washer	1	≥2012-12-01 攻螺纹 Tapping

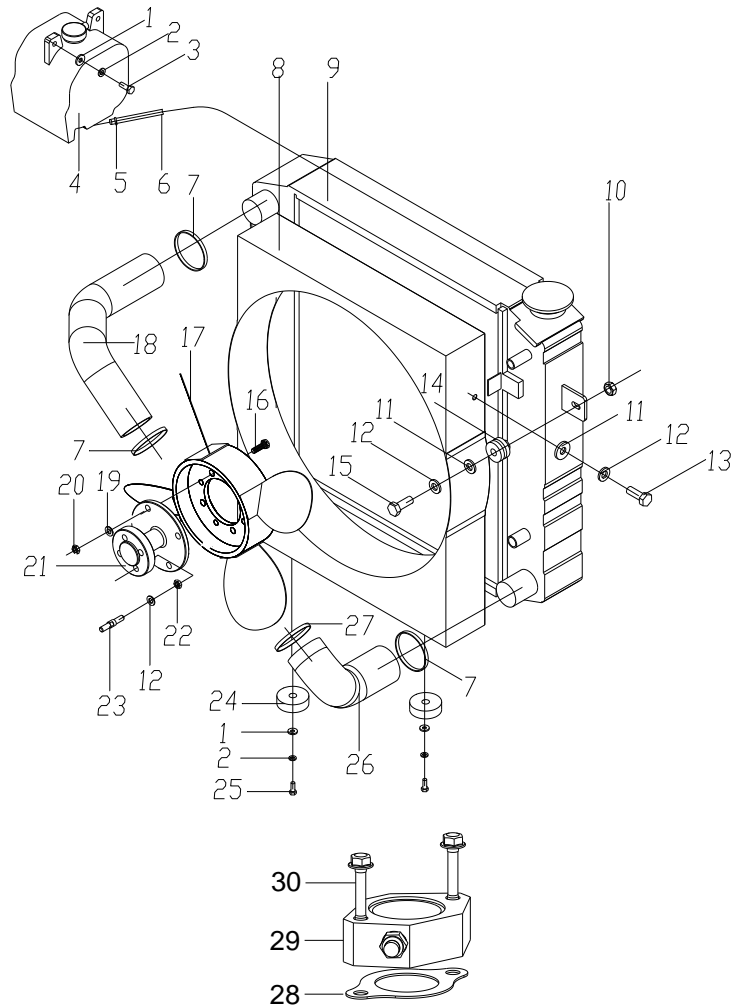
图 28 冷却系统
Fig. 28 Cooling system

Ⓒ CPYD40/45-RW17
Ⓓ CPYD40/45-RW57

Ⓗ CPYD50-RXW17
Ⓖ CPYD50-RXW57

Ⓚ CPQYD40/45-RW57
Ⓛ CPYD40/45-RW24

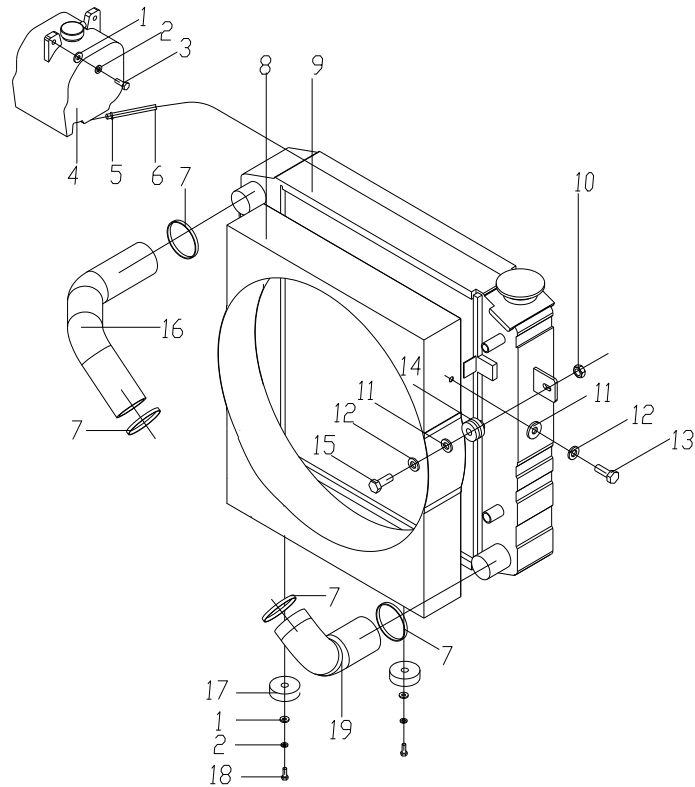
Ⓛ CPQYD50-RXW57
Ⓣ CPYD50-RXW24



序号 Item	物料码 Part No.	名称 Description	数量 Qty	备注或适用车型 Remarks or Serial No.
22	G001337-000008-00	螺母M8 Nut8	4	
23	R453-330004-000	螺柱 stud bolts	4	
24	R450-330100-000	环状减震器 Shock pad	2	
25	G000067-006012-00	螺钉M6×12 Screw M6×12	2	
26	R453-330002-000	散热器出水管 Rubber pipe for outlet	1	
27	Q672-58-G00	双钢丝式环箍58 Clamp 58	1	
28	R456-330003-000	密封垫 sealing gasket	1	Ⓢ Ⓣ
29	R456-330002-000	水温传感器安装垫块 Holder of ECT	1	Ⓢ Ⓣ
30	R456-330001-G00	螺栓3/8-16×2 Bolt 3/8-16×2	2	Ⓢ Ⓣ

图 29 冷却系统
Fig. 29 Cooling system

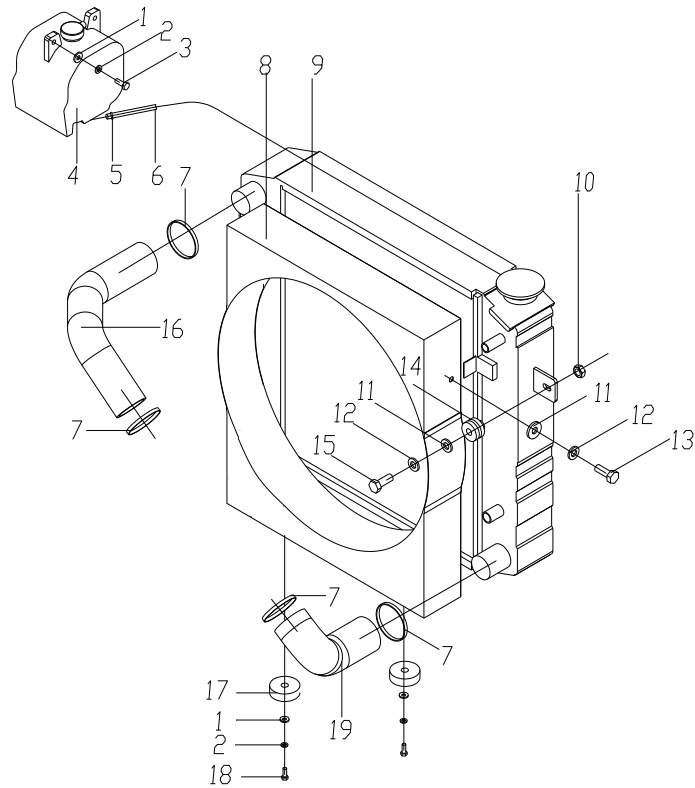
① CPCD40/45-RW19 ② CPCD50-RXW19



序号 Item	物料码 Part No.	名称 Description	数量 Qty	备注或适用车型 Remarks or Serial No.
1	G005783-006018-00	螺栓 M6×18 Bolt	2	
2	G000093-000006-00	垫圈 6 Washer	2	
3	N163-330100-G00	膨胀水箱 2171040K01 Expansion water box	1	<2013-09-01
3	XF250-330200-000	膨胀水箱 Expansion water box	1	≥2013-09-01 容积增大 Volume increase
4	Q672-12-G00	双钢丝式环箍 12 Clamp	1	
5	R453-330005-W00	输水胶管 Φ8×Φ12 Pipe for water inlet	1	
6	R452-331000-000	散热器总成 Radiator assy	1	
7	Q672-52-G00	双钢丝式环箍 52 Clamp	4	
8	R452-332000-000	护风圈总成 Fan shroud assy	1	<2014-02-01
8	R452-332000-001	护风圈总成 Fan shroud assy	1	≥2014-02-01
9	R452-331000-000	散热器总成 Radiator assy	1	
9	R452-331000-000	散热器总成 Radiator assy	1	
10	G001337-000008-00	螺母 M8 Nut	6	
11	G000093-000008-00	垫圈 8 Washer 8	4	
12	G0097P1-000008-00	垫圈 8 Washer 8	8	

图 29 冷却系统
Fig. 29 Cooling system

① CPCD40/45-RW19 ② CPCD50-RXW19



序号 Item	物料码 Part No.	名称 Description	数量 Qty	备注或适用车型 Remarks or Serial No.
13	G005783-008016-00	螺栓M8×16 Bolt M8×16	4	
14	30DH-322000	环状减震器 Shock pad	4	
15	G005783-008050-00	螺栓M8×50 Bolt M8×50	2	
16	R452-330001-000	散热器进水管 Rubber pipe for inlet	1	
17	R450-330100-000	环状减震器 Shock pad	2	
18	G000067-006012-00	螺钉M6×12 Screw M6×12	2	
19	R452-330002-000	散热器出水管 Rubber pipe for outlet	1	

图 30 冷却系统
Fig. 30 Cooling system

® CPC45-RG34-S

序号 Item	物料码 Part No.	名称 Description	数量 Qty	备注或适用车型 Remarks or Serial No.
1	Q672-52-G00	双钢丝式环箍52 Clamp	4	<2014-02-01
	Q672-48-G00	双钢丝式环箍48 Clamp 48	4	≥2014-02-01
2	RS450-330001-000	散热器进水管 Rubber pipe for inlet	1	<2014-02-01
	RS450-330001-001	散热器进水管 Rubber pipe for inlet	1	≥2014-02-01
3	G005783-008050-00	螺栓 M8×50 Bolt M8×50	2	
4	G000096-000008-00	垫圈 8 Washer 8	2	≥2014-02-01
5	30DH-322000	环状减震器 Shock pad	4	
6	G001337-000008-00	螺母 M8 Nut M8	2	
7	G0097P1-000008-00	垫圈 8 Washer 8	4	<2014-02-01
	G000096-000006-00	垫圈 6 Washer 6	4	≥2014-02-01
8	Q672-12-G00	双钢丝式环箍12 Clamp 12	1	
9	RS450-330002-W00	输水胶管Φ8×Φ12 PipeΦ8×Φ12	1	<2014-02-01
	RS450-330004-W00	输水胶管Φ8×Φ12 PipeΦ8×Φ12	1	≥2014-02-01
10	N163-330003-000	密封条 Seal Strip	1	
11	R470-331100-000	散热器总成 Radiator assy	1	<2014-02-01

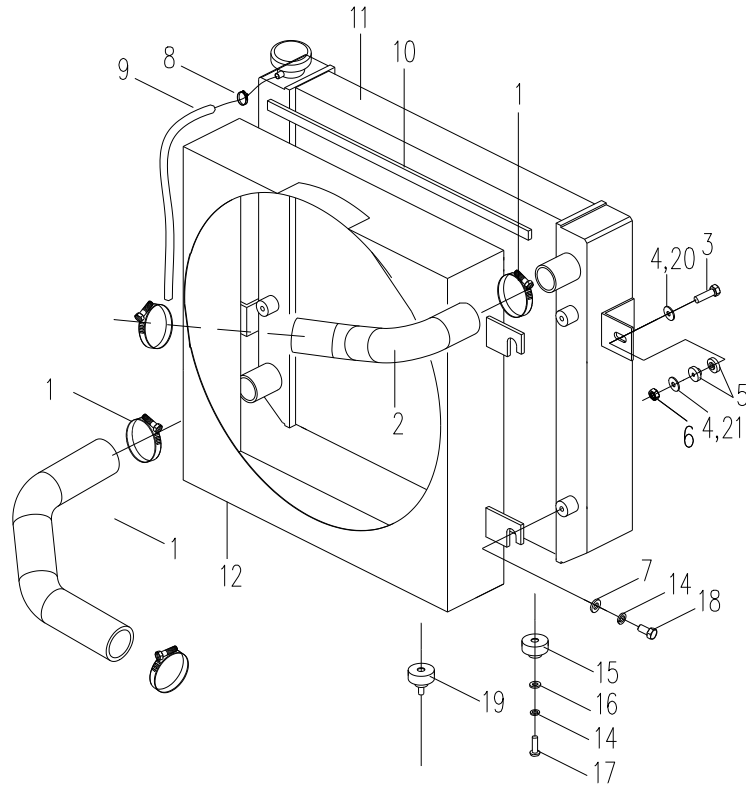


图 30 冷却系统
Fig. 30 Cooling system

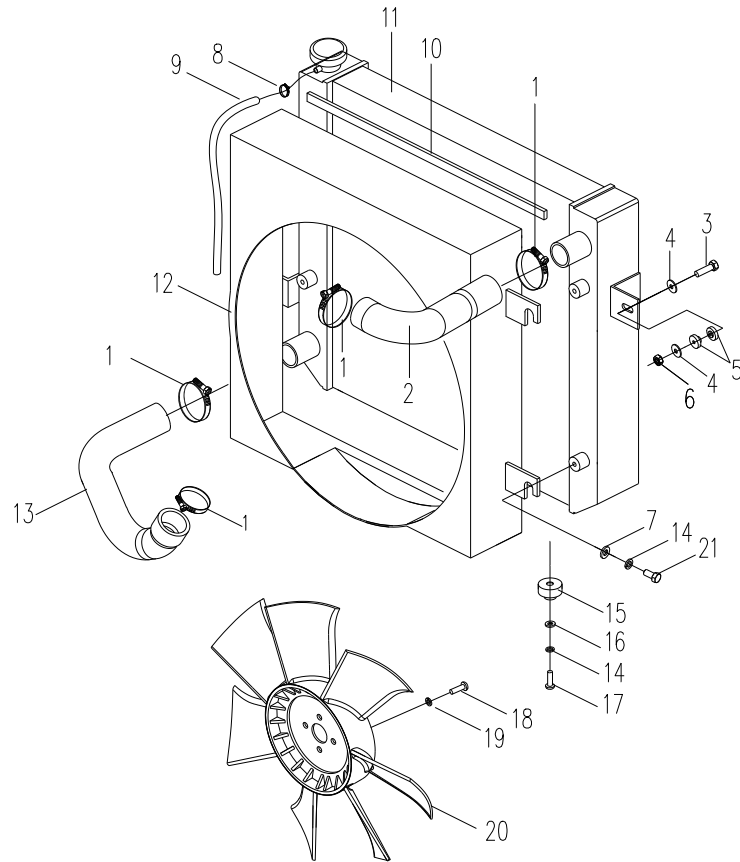
® CPC45-RG34-S

序号 Item	物料码 Part No.	名称 Description	数量 Qty	备注或适用车型 Remarks or Serial No.
11	A501-331000-000	散热器总成 Radiator assy	1	≥2014-02-01
12	RS450-331200-000	护风圈总成 Fan shroud assy	1	<2014-02-01
	RS450-332000-000	护风圈总成 Fan shroud assy	1	≥2014-02-01
13	RS450-330002-000	散热器出水管 Rubber pipe for outlet	1	
14	G000093-000008-00	垫圈 8 Washer 8	4	<2014-02-01
	G000093-000006-00	垫圈 6 Washer 6	4	≥2014-02-01
15	R450-330100-000	环状减震器 Shock pad	2	
16	G0097P1-000006-00	垫圈 6 Washer 6	2	
17	G000067-006012-00	螺钉 M6×12 Screw M6×12	2	
18	G005783-008025-00	螺栓 M8×25 Bolt M8×25	4	<2014-02-01
	G005783-006018-00	螺栓 M6×18 Bolt M6×18	4	≥2014-02-01
19	30HB-330004A	垫块 Shock pad	2	<2014-02-01
20	G0097P1-000008-00	垫圈 8 Washer 8	2	<2014-02-01
21	30HB-330003A	垫片 Washer	2	<2014-02-01

图 31 冷却系统
Fig.31 Cooling system

Ⓜ CPC50-RXG42

Ⓜ CPC45-RG42-S

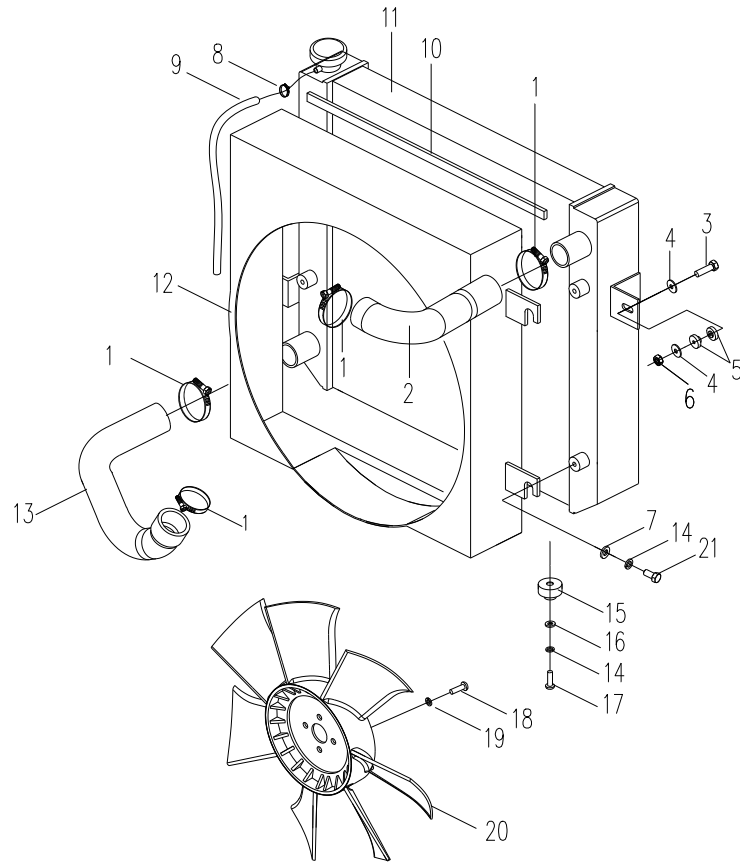


序号 Item	物料码 Part NO.	名称 Description	数量 Qty	备注或适用车型 Remarks Or Serial NO.
1	Q672-52-G00	双钢丝式环箍52 Clamp 52	4	
2	R479-330001-000	散热器进水管 Rubber pipe for inlet	1	<2014-02-01
2	A501-330001-000	散热器进水管 Rubber pipe for inlet	1	≥2014-02-01
3	G005783-008050-00	螺栓 M8×50 Bolt M8×50	2	
4	G000096-000008-00	垫圈 8 Washer 8	4	
5	30DH-322000	环状减震器 Shock pad	4	
6	G001337-000008-00	螺母 M8 Nut M8	2	
7	G000096-000008-00	垫圈 8 Washer 8	4	<2014-02-01
7	G000096-000006-00	垫圈 6 Washer 6	4	≥2014-02-01
8	Q672-12-G00	双钢丝式环箍12 Clamp 12	1	
9	R479-330004-W00	输水胶管Φ8×Φ12 PipeΦ8×Φ12	2	
10	N163-330003-000	密封条 Seal Strip	1	
11	R470-331100-000	散热器总成 Radiator assy	1	<2014-02-01
11	A501-331000-000	散热器总成 Radiator assy	1	≥2014-02-01
12	R479-332000-000	护风圈总成 Fan shroud assy	1	<2014-02-01

图 31 冷却系统
Fig.31 Cooling system

Ⓜ CPC50-RXG42

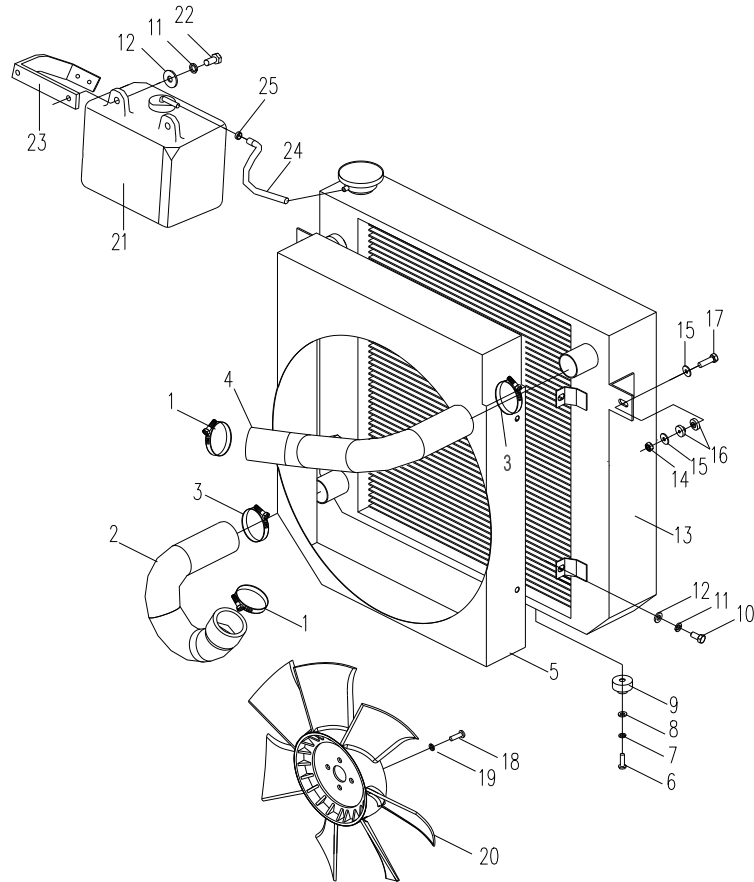
Ⓜ CPC45-RG42-S



序号 Item	物料码 Part NO.	名称 Description	数量 Qty	备注或适用车型 Remarks Or Serial NO.
12	A501-332000-000	护风圈总成 Fan shroud assy	1	≥2014-02-01
13	R479-330002-000	散热器出水管 Rubber pipe for outer	1	≥2014-02-01
14	G000093-000008-00	垫圈 8 Washer 8	4	<2014-02-01
14	G000093-000006-00	垫圈 6 Washer 6	6	≥2014-02-01
15	30HB-330004A	垫块 Shock pad	2	<2014-02-01
15	R450-330100-000	环状减震器 Shock pad	2	≥2014-02-01
16	G0097P1-000006-00	垫圈 6 Washer 6	2	≥2014-02-01
17	G000067-006012-00	螺钉M6×12 Screw M6×12	2	≥2014-02-01
18	G005783-010025-00	螺栓M10×25 Bolt M10×25	4	
19	G000093-000010-00	垫圈10 Washer	4	
20	R459-333000-000	风扇总成 Fan assy	4	
21	G005783-008025-00	螺栓 M8×25 Bolt M8×25	4	<2014-02-01
21	G005783-006018-00	螺栓 M6×18 Bolt M6×18	4	≥2014-02-01

图 32 冷却系统
Fig.32 Cooling system

④ CPCD40/45-RG42 ⑤ CPCD50-RXG42



序号 Item	物料码 Part NO.	名称 Description	数量 Qty	备注或适用车型 Remarks Or Serial NO.
1	Q672-58-G00	双钢丝式环箍58 Clamp 58	2	
2	R459-330002-000	散热器出水管 Rubber pipe for outer	1	
3	Q672-50-G00	双钢丝式环箍50 Clamp 50	2	
4	R459-330001-000	散热器进水管 Rubber pipe for inlet	1	
5	A461-332000-000	护风圈总成 Fan shroud assy	1	
6	G000067-006012-00	螺钉M6×12 Screw M6×12	2	
7	G000093-000006-00	垫圈6 Washer 6	2	
8	G0097P1-000006-00	垫圈6 Washer 6	2	
9	R450-330100-000	环状减震器 Shock pad	2	
10	G005783-008016-00	螺栓M8×16 Bolt M8×16	4	
11	G000093-000008-00	垫圈8 Washer 8	8	
12	G0097P1-000008-00	垫圈8 Washer 8	8	
13	R457-332000-000	散热器总成 Radiator assy	1	<2014-02-01
13	XB452-331000-000	散热器总成 Radiator assy	1	≥2014-02-01
14	G001337-000008-00	螺母 M8 Nut M8	2	

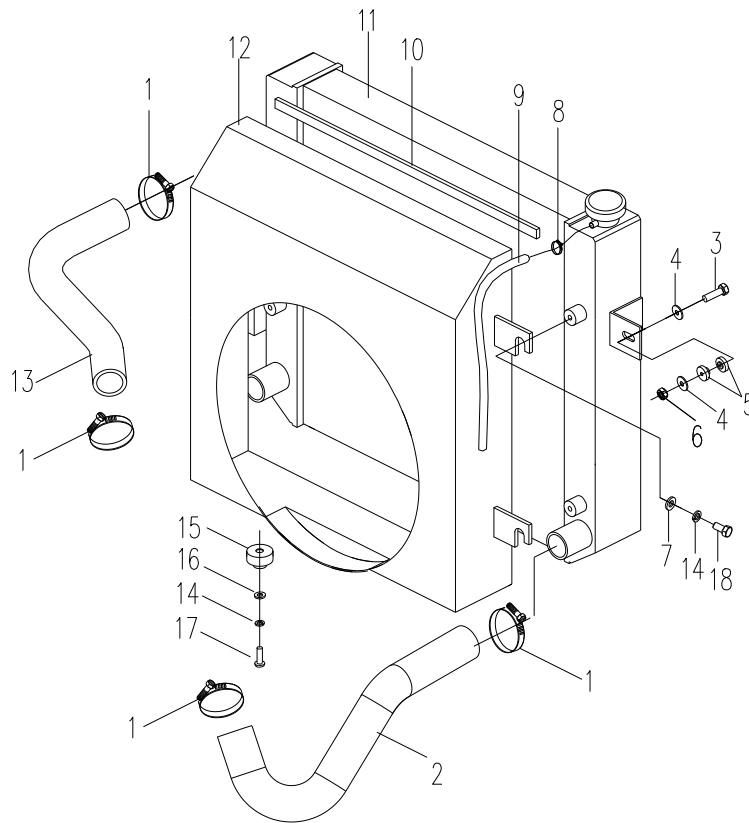
图 32 冷却系统
Fig.32 Cooling system

① CPCD40/45-RG42 ② CPCD50-RXG42

序号 Item	物料码 Part NO.	名称 Description	数量 Qty	备注或适用车型 Remarks Or Serial NO.
15	G000096-000008-00	垫圈 8 Washer 8	4	
16	30DH-322000	环状减震器 Shock pad	4	
17	G005783-008050-00	螺栓 M8×50 Bolt M8×50	2	
18	G005783-010025-00	螺栓 M10×25 Bolt M10×25	4	
19	G000093-000010-00	垫圈 10 Washer 10	4	
20	R459-333000-000	风扇总成 Fan assy	4	
21	XF250-330200-000	膨胀水箱 Expansion water box	1	
22	G005783-008020-00	螺栓 M8×20 Bolt M8×20	4	
23	NC949-330001-000	支架 Bracket	1	
24	R457-330005-W00	输水胶管 Φ8×Φ12 Pipe Φ8×Φ12	1	
25	Q672-12-G00	双钢丝式环箍 12 Clamp 12	2	

图 33 冷却系统
Fig.33 Cooling system

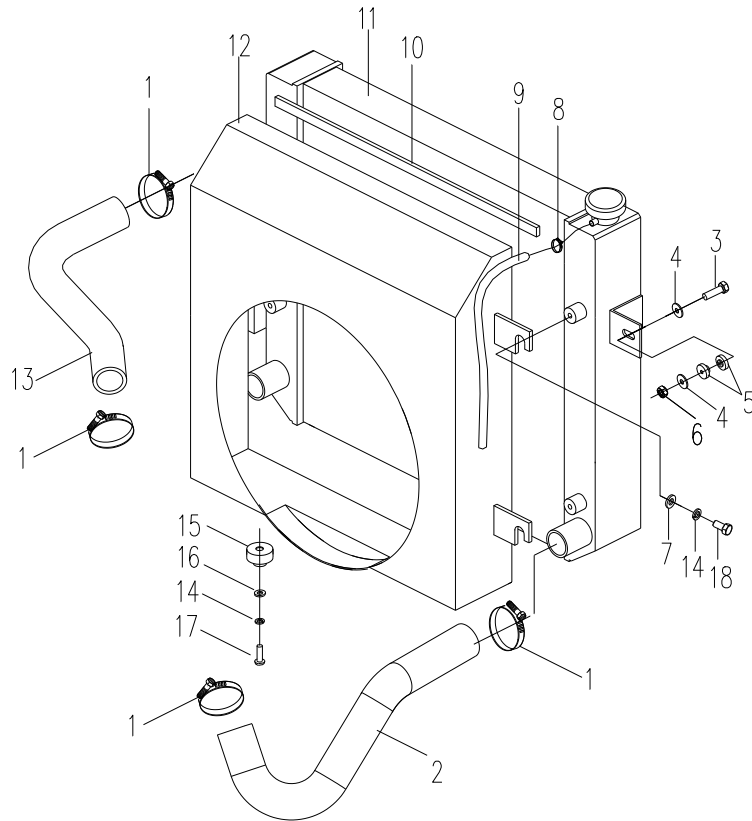
⊗ CPC45-RG43-S



序号 Item	物料码 Part NO.	名称 Description	数量 Qty	备注或适用车型 Remarks Or Serial NO.
1	Q672-48-G00	双钢丝式环箍48 Clamp48	4	
2	RS451-330002-000	散热器出水管 Rubber pipe for outer	1	<2014-02-01
2	AS450-330002-000	散热器出水管 Rubber pipe for outer	1	≥2014-02-01
3	G005783-008050-00	螺栓 M8×50 Bolt M8×50	2	
4	G000096-000008-00	垫圈 8 Washer 8	4	
5	30DH-322000	环状减震器 Shock pad	4	
6	G001337-000008-00	螺母 M8 Nut M8	2	
7	G000096-000008-00	垫圈 8 Washer 8	4	<2014-02-01
7	G000096-000006-00	垫圈 6 Washer 6	4	≥2014-02-01
8	Q672-12-G00	双钢丝式环箍12 Clamp 12	1	
9	A300-330003-W00	输水胶管Φ8×Φ12 PipeΦ8×Φ12	2	
10	N163-330003-000	密封条 Seal Strip	1	
11	30HB-331100A	散热器总成 Radiator assy	1	
11	AS450-331000-000	散热器总成 Radiator assy	1	
12	RS451-332000-000	护风圈总成 Fan shroud assy	1	<2014-02-01

图 33 冷却系统
Fig.33 Cooling system

⊗ CPC45-RG43-S



序号 Item	物料码 Part NO.	名称 Description	数量 Qty	备注或适用车型 Remarks Or Serial NO.
12	AS450-332000-000	护风圈总成 Fan shroud assy	1	≥2014-02-01
13	RS451-330001-000	散热器进水管 Rubber pipe for inlet	1	<2014-02-01
13	AS450-330001-000	散热器进水管 Rubber pipe for inlet	1	≥2014-02-01
14	G000093-000008-00	垫圈 8 Washer 8	4	<2014-02-01
14	G000093-000006-00	垫圈 6 Washer 6	4	≥2014-02-01
15	30HB-330004A	垫块 Shock pad	2	<2014-02-01
15	R450-330100-000	环状减震器 Shock pad	2	≥2014-02-01
16	G0097P1-000006-00	垫圈 6 Washer 6	2	≥2014-02-01
17	G000067-006012-00	螺钉 M6×12 Screw M6×12	2	≥2014-02-01
18	G005783-008025-00	螺栓 M8×25 Bolt M8×25	4	<2014-02-01
18	G005783-006018-00	螺栓 M6×18 Bolt M6×18	4	≥2014-02-01

图 34 燃油系统
Fig. 34 Fuel system

Ⓐ CPCD40/45-RG24 Ⓑ CPCD50-RXG24 Ⓒ CPC40/45-RG31 Ⓓ CPC50-RXG24
ⓧ CPC45-RG43-S

序号 Item	物料码 Part No.	名称 Description	数量 Qty	备注或适用车型 Remarks or Serial No.
1	3E-160002	吸油接头 Elbow	1	
2	Q672-18-G00	双钢丝环箍18 Clamp	4	
3	R450-340001-W00	输油胶管Φ8×Φ16.5 hose	1	
4	40DH-340002	管夹 Clip	1	
5	G005783-006016-00	螺栓M6X16 Bolt	6	
6	J000982-000006-00	垫圈6 Washer	6	
7	R450-341000-000	燃油箱盖组件 Cover of fuel case	1	
8	N163-700007-000	垫 Pad	1	
9	N163-341000-G00	燃油箱盖 Cover of fuel case	1	
10	N163-340002-000	磁铁 Ring magnetic iron	1	
11	R450-340002-W00	输油胶管Φ8×Φ16.5 hose	1	
12	J000982-000024-00	垫圈24 Washer	1	
13	N163-340008-000	螺塞 Plug	1	

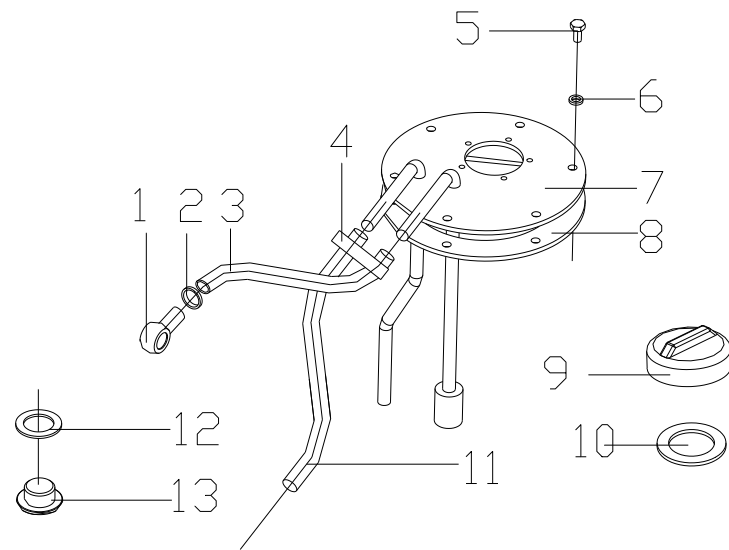


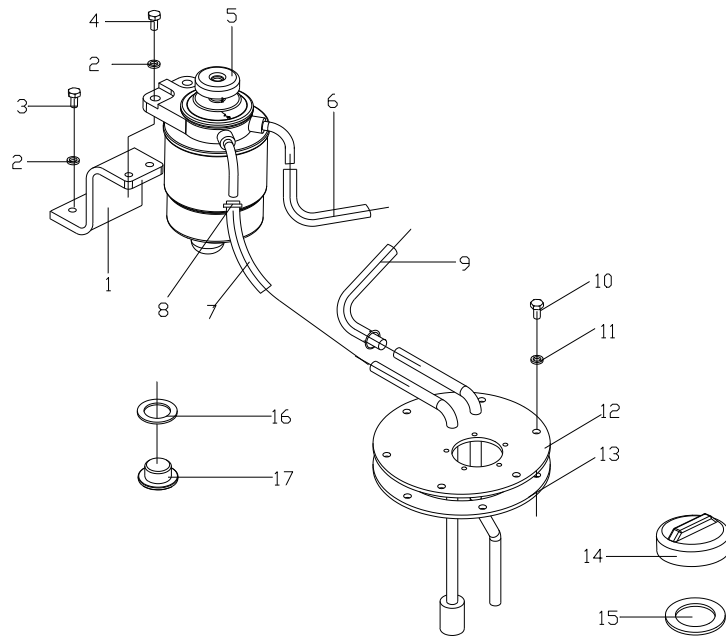
图 35 燃油系统
Fig. 35 Fuel system

Ⓔ CPCD40/45-RW5
⓪ CPCD40/45-RG42

Ⓕ CPCD50-RXW5
Ⓜ CPCD50-RXG42

Ⓡ CPC45-RG34-S
Ⓜ CPC50-RXG42

Ⓢ CPC45-RG42-S



序号 Item	物料码 Part No.	名称 Description	数量 Qty	备注或适用车型 Remarks or Serial No.
1	R450-340004-000	支架 Bracket	1	Ⓔ Ⓕ Ⓡ
1	R459-340003-000	支架 Bracket	1	⓪ Ⓜ Ⓢ
2	G000093-000008-00	垫圈8 Washer	4	
3	G005783-008025-00	螺栓M8X25 Bolt	2	
4	G005783-008016-00	螺栓M8X16 Bolt M8X16	2	
5	GR501-342000-000	油水分离器 Oil-water separator	1	
6	R454-340001-W00	输油胶管 $\Phi 10 \times \Phi 18.5$ Rubber hose	1	Ⓔ Ⓕ Ⓡ
6	R459-340004-W00	输油胶管 $\Phi 10 \times \Phi 18.5$ Rubber hose	1	L=800mm ⓪ Ⓜ Ⓢ
7	R454-340002-W00	输油胶管 $\Phi 10 \times \Phi 18.5$ Rubber hose	1	Ⓔ Ⓕ Ⓡ
7	R459-340002-W00	输油胶管 $\Phi 10 \times \Phi 18.5$ Rubber hose	1	L=1100mm ⓪ Ⓜ Ⓢ
8	Q672-18-G00	双钢丝式环箍18 Clamp	6	
9	R454-340003-W00	输油胶管 $\Phi 10 \times \Phi 18.5$ Rubber hose	1	Ⓔ Ⓕ Ⓡ
9	R459-340001-W00	输油胶管 $\Phi 10 \times \Phi 18.5$ Rubber hose	1	L=1100mm ⓪ Ⓜ Ⓢ
10	G005783-006016-00	螺栓M6x16 Bolt	6	
11	J000982-000006-00	垫圈6 Washer	6	

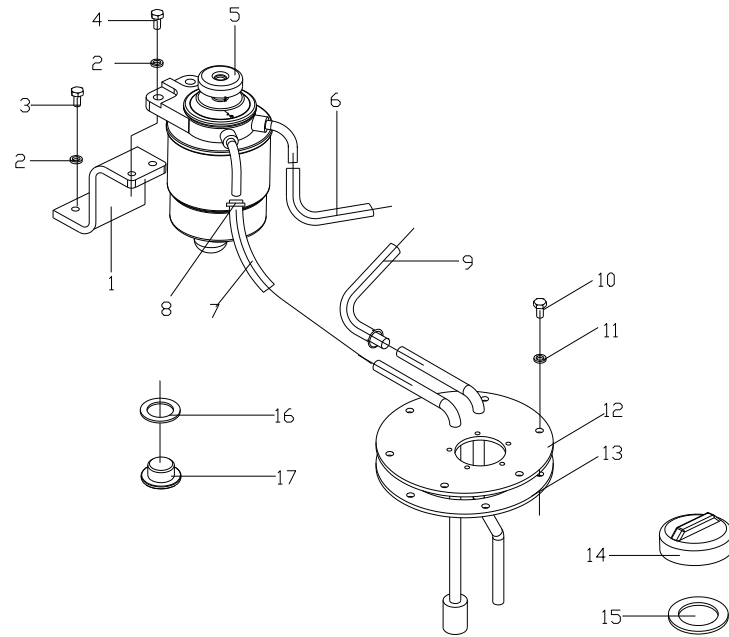
图 35 燃油系统
Fig. 35 Fuel system

Ⓔ CPCD40/45-RW5
Ⓚ CPCD40/45-RG42

Ⓕ CPCD50-RXW5
Ⓜ CPC50-RXG42

Ⓡ CPC45-RG34-S
Ⓨ CPC45-RG42-S

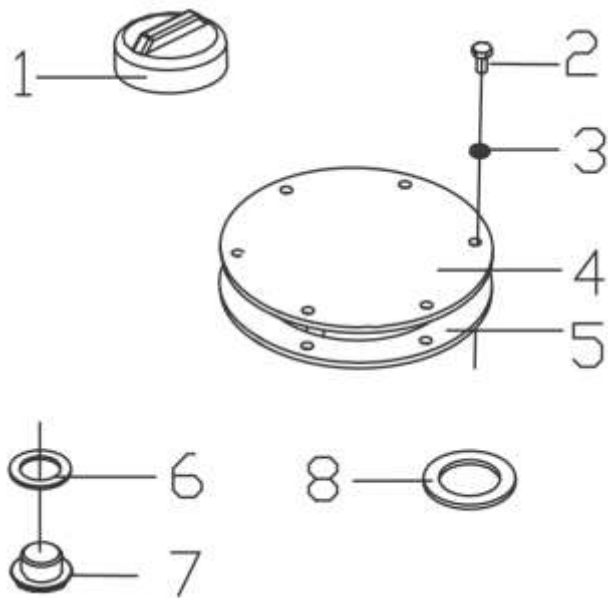
Ⓚ CPCD40/45-RG42



序号 Item	物料码 Part No.	名称 Description	数量 Qty	备注或适用车型 Remarks or Serial No.
12	R454-341000-000	燃油箱盖组件 Cover of fuel case	1	Ⓔ Ⓕ Ⓡ
12	R459-341000-000	燃油箱盖组件 Cover of fuel case	1	Ⓚ Ⓜ Ⓨ
13	N163-700007-000	垫 Pad	1	
14	N163-341000-G00	燃油箱盖 Cover of fuel case	1	
15	N163-340002-000	磁铁 Ring magnetic iron	1	
16	J000982-000024-00	垫圈24 Washer	1	
17	N163-340008-000	螺塞 Plug	1	

图 36 燃油系统
Fig. 36 Fuel system

© CPYD40/45-RW17 Ⓜ CPYD50-RXW17 Ⓢ CPYD40/45-RW24 Ⓣ CPYD50-RXW24



序号 Item	物料码 Part No.	名称 Description	数量 Qty	备注或适用车型 Remarks or Serial No.
1	N163-341000-G00	燃油箱盖 Cover of fuel case	1	
2	G005783-006016-00	螺栓M6X16 Bolt	6	
3	J000982-000006-00	垫圈6 Washer	6	
4	R453-340001-000	盖板 Cover of fuel case	1	
5	N163-700007-000	垫 Pad	1	
6	J000982-000024-00	垫圈24 Washer	1	
7	N163-340008-000	螺塞 Plug	1	
8	N163-340002-000	磁铁 Ring magnetic iron	1	

图 37 燃油系统
Fig. 37 Fuel system

Ⓚ CPQYD40/45-RW57 Ⓛ CPQYD50-RXW57 ⓀⓁ CPYD40/45-RW57 ⓁⓁ CPYD50-RXW57

序号 Item	物料码 Part No.	名称 Description	数量 Qty	备注或适用车型 Remarks or Serial No.
1	G005783-006016-00	螺栓M6X16 Bolt	6	
2	J000982-000006-00	垫圈 6 Washer	6	
3	R450-341000-000	燃油箱盖组件 Cover of fuel case	1	Ⓚ Ⓛ
3	R4510-341000-000	燃油箱盖组件 Cover of fuel case	1	ⓀⓁ ⓁⓁ
4	N163-700007-000	垫 Washer	1	
5	N163-340002-000	磁铁 Ring magnetic iron	1	
6	J000982-000024-00	垫圈24 Washer	1	
7	N163-340008-000	螺塞 Plug	1	
8	R455-340001-W00	输油胶管 $\Phi 8 \times \Phi 16.5$ Rubber hose	1	
9	Q672-18-G00	双钢丝式环箍 18 Clamp	8	
10	R455-340002-W00	输油胶管 $\Phi 6 \times \Phi 13.5$ Rubber hose	1	
11	R455-340004-G00	抱箍 Clamp	2	
12	R455-345000-G00	燃油泵 fuel pump	1	
13	G000093-000012-00	垫圈12 Washer	2	
14	G005783-012025-00	螺栓M12X25 Bolt	2	

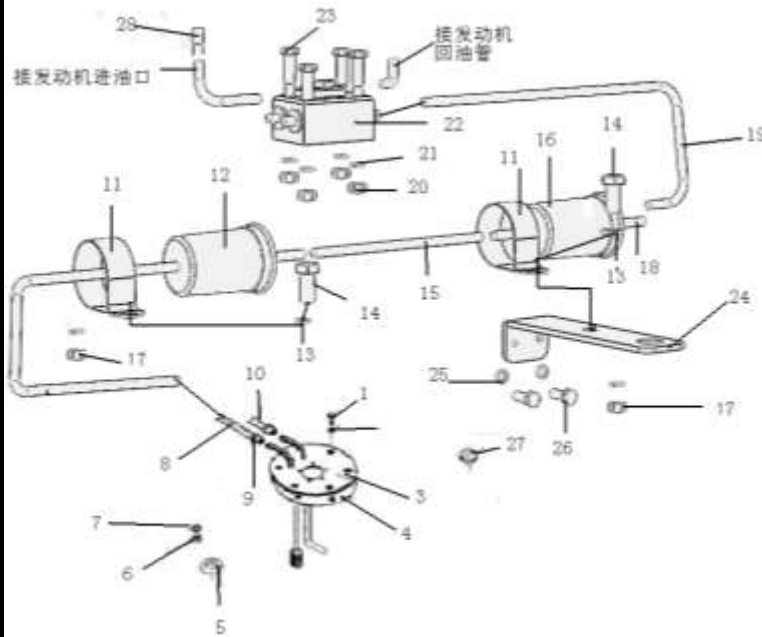


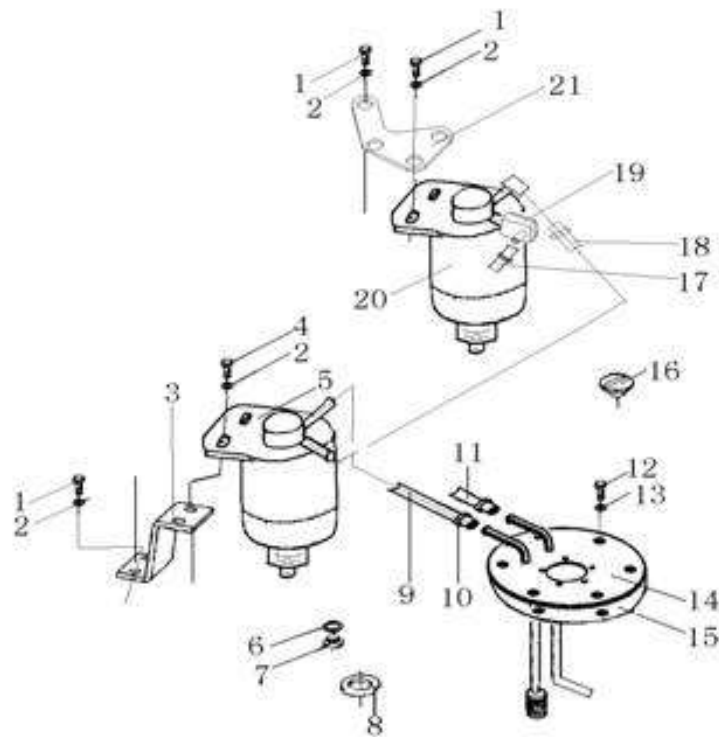
图 37 燃油系统
Fig. 37 Fuel system

Ⓚ CPQYD40/45-RW57 Ⓛ CPQYD50-RXW57 Ⓚ CPYD40/45-RW57 Ⓛ CPYD50-RXW57

序号 Item	物料码 Part No.	名称 Description	数量 Qty	备注或适用车型 Remarks or Serial No.
15	R455-340005-W00	输油胶管Φ8×Φ16.5 Rubber hose	1	
16	R455-343000-G00	汽油滤清器 Filter	1	
17	G006170-000012-00	螺母M12 Nut M12	4	
18	R455-340003-G00	油管接头 oil connection	7	
19	R455-340005-W00	输油胶管Φ8×Φ16.5 Rubber hose	1	
20	G006170-000006-00	螺母M6 Nut M6	4	
21	G000093-000006-00	垫圈6 Washer	8	
22	R455-344000-G00	电磁阀 solenoid valve	1	
23	G005783-008020-00	螺栓 M6X55 Bolt	6	
24	R455-340006-000	支架 Bracket	1	
25	G000093-000008-00	垫圈8 Washer	2	
26	G005783-008016-00	螺栓M8X16 Bolt	2	
27	N163-341000-G00	燃油箱盖 Cover of fuel case	1	
28	R455-340007-G00	油管接头 oil connection	1	

图 38 燃油系统
Fig. 38 Fuel system

①CPCD40/45-RW19 ②CPCD50-RXW19



序号 Item	物料码 Part No.	名称 Description	数量 Qty	备注或适用车型 Remarks or Serial No.
1	G005783-008020-00	螺栓 M8X20 Bolt	6	
2	G000093-000008-00	垫圈8 Washer	8	
3	R452-340005-000	油水分离器支架 Bracket	1	
4	G005783-008025-00	螺栓M8X25 Bolt	2	
5	30HB-341000	油水分离器 Oil-water separator	1	
6	J000982-000024-00	垫圈24 Washer	1	
7	N163-340008-000	螺塞 Plug	1	
8	N163-340002-000	磁铁 Ring magnetic iron	1	
9	R452-340001-W00	输油胶管 $\Phi 8 \times \Phi 16.5$ Rubber hose	1	
10	Q672-18-G00	双钢丝式环箍 18 Clamp	8	
11	R452-340002-W00	输油胶管 $\Phi 6 \times \Phi 13.5$ Rubber hose	1	
12	G005783-006016-00	螺栓M6X16 Bolt	6	
13	J000982-000006-00	垫圈 6 Washer	6	
14	R452-341000-000	燃油箱盖组件 Cover of fuel case	1	
15	N163-700007-000	垫圈 Washer	1	

图 38 燃油系统
Fig. 38 Fuel system

① CPCD40/45-RW19 ② CPCD50-RXW19

序号 Item	物料码 Part No.	名称 Description	数量 Qty	备注或适用车型 Remarks or Serial No.
16	N163-341000-G00	燃油箱盖 Cover of fuel case	1	
17	R452-340004-W00	输油胶管 $\Phi 8 \times \Phi 16.5$ Rubber hose	1	
18	R452-340003-W00	输油胶管 $\Phi 8 \times \Phi 16.5$ Rubber hose	1	
19	N150-340001-000	直角接头 elbow	2	
20	16400-L9060-G00	油水分离器 Oil-water separator	1	
21	40DHW19-340100	支架 Bracket	1	

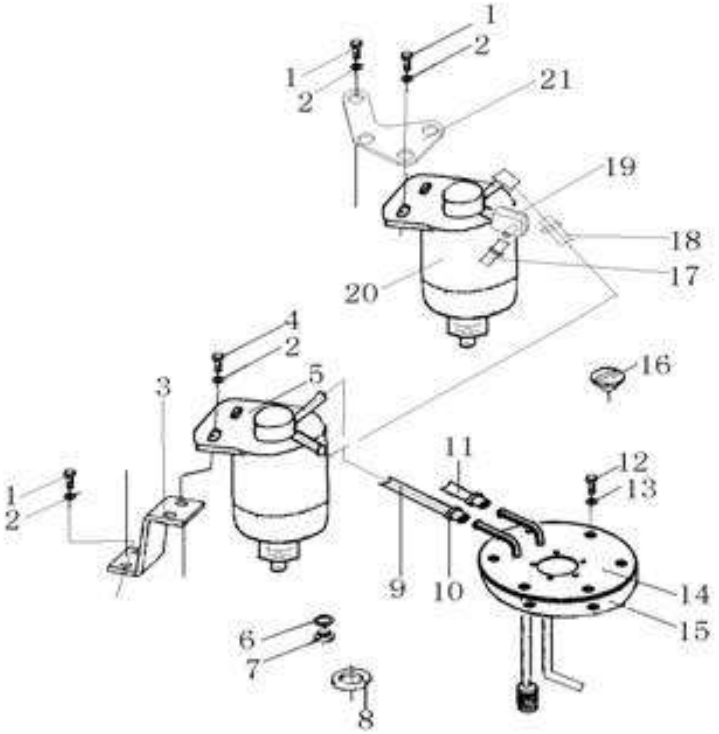
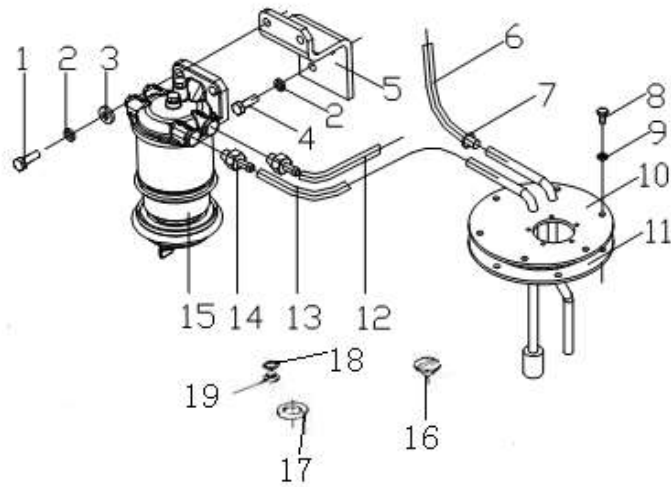


图 39 燃油系统
Fig. 39 Fuel system

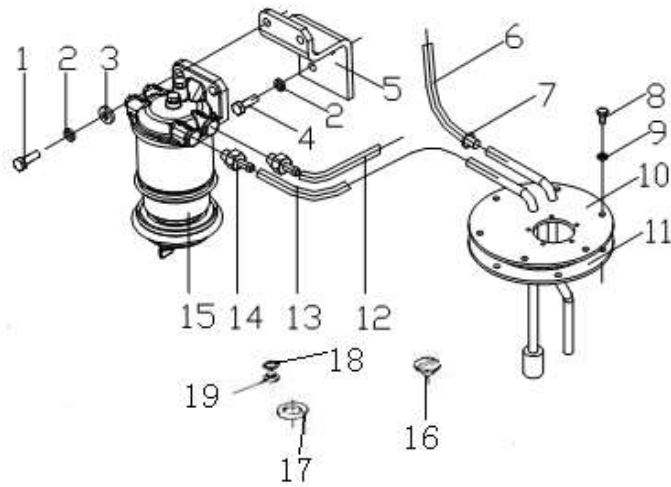
© CPCD40/45-RW35 © CPCD50-RXW35



序号 Item	物料码 Part No.	名称 Description	数量 Qty	备注或适用车型 Remarks or Serial No.
1	G005783-001025-00	螺栓M10X25 Bolt	2	
2	G000093-000010-00	垫圈10 Washer	4	
3	G000096-000010-00	垫圈10 Washer	2	
4	G005783-010020-00	螺栓 M10X20 Bolt	2	
5	R457-340001-000	支架 Bracket	1	
6	R457-340003-W00	输油胶管Φ8×Φ16.5 Rubber hose	1	
7	Q672-18-G00	双钢丝式环箍 18 Clamp	6	
8	G005783-006016-00	螺栓 M6X16 Bolt	6	
9	J000982-000006-00	垫圈6 Washer	6	
10	R450-341000-000	燃油箱盖板 Cover of fuel case	1	
11	N163-700007-000	垫 Pad	1	
12	R457-340005-W00	输油胶管Φ8×Φ16.5 Rubber hose	1	
13	R457-340004-W00	吸油胶管Φ8×Φ16.5 Rubber hose	1	
14	R457-340002-000	接头 elbow	2	
15	R457-340100-G00	油水分离器 Oil-water separator	1	

图 39 燃油系统
Fig. 39 Fuel system

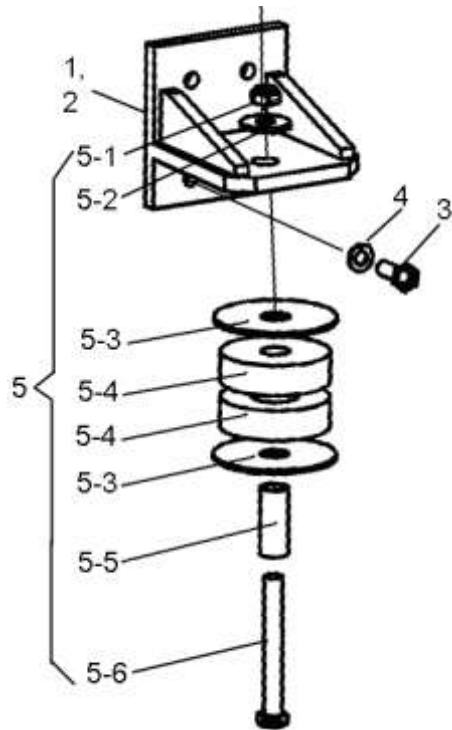
© CPCD40/45-RW35 © CPCD50-RXW35



序号 Item	物料码 Part No.	名称 Description	数量 Qty	备注或适用车型 Remarks or Serial No.
16	N163-341000-G00	燃油箱盖 Cover of fuel case	1	
17	N163-340002-000	磁铁 Ring magnetic iron	1	
18	J000982-000024-00	垫圈24 Washer	1	
19	N163-340008-000	螺塞 Plug	1	

图 40 发动机安装
Fig.40 Engine mount

Ⓐ CPCD40/45-RG24 Ⓑ CPCD50-RXG24 Ⓒ CPC50-RXG24



序号 Item	物料码 Part No.	名称 Description	数量 Qty	备注或适用车型 Remarks or Serial No.
1	4108G10Z.740100	发动机左支架 Engine Left bracket	1	Ⓐ Ⓑ 发动机配 Supply by engine
1	4RBG70.740100	发动机左支架 Engine Left bracket	1	Ⓒ 发动机配 Supply by engine
2	4108G10Z.740200	发动机右支架 Engine right bracket	1	Ⓐ Ⓑ 发动机配 Supply by engine
2	4RBG70.740200	发动机右支架 Engine right bracket	1	Ⓒ 发动机配 Supply by engine
3	G005787-010025-00	螺栓 M10×25 Bolt M10×25	8	发动机配 Supply by engine
4	G000093-000010-00	垫圈 10 Washer 10	8	发动机配 Supply by engine
5	R450-350100-000	缓冲垫总成 Shock pad assy	2	
5-1	G006184-000014-01	螺母 M14 Nut M14	2	
5-2	N163-350005-000	垫圈 Washer	2	
5-3	N163-350006-000	垫圈 Washer	4	
5-4	R450-350102-000	缓冲垫 Shock pad	4	
5-5	R450-350101-000	套管 Pipe	2	
5-6	G005782-014100-00	螺栓M14×110 Bolt M14×110	2	

图 41 发动机安装
Fig.41 Engine mount

© CPC40/45-RG31

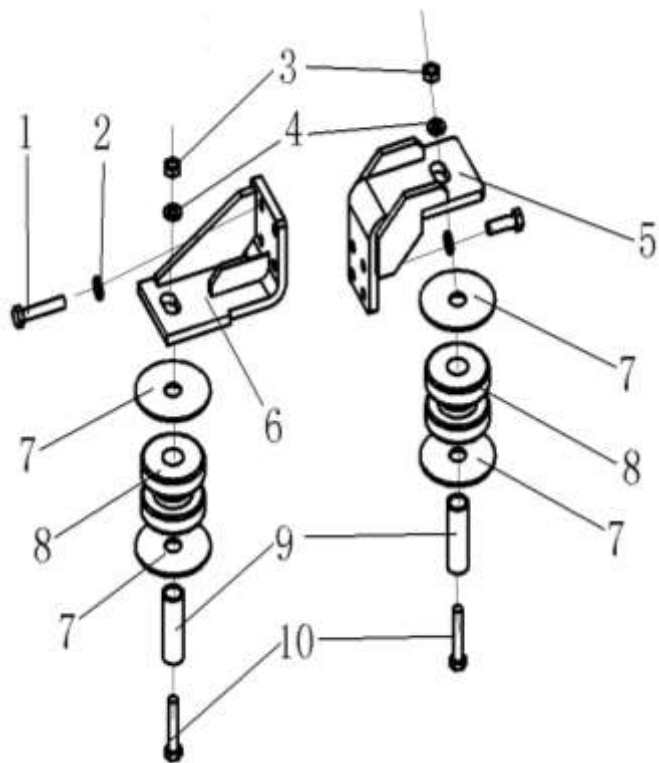
⊗ CPC45-RG43-S

序号 Item	物料码 Part No.	名称 Description	数量 Qty	备注或适用车型 Remarks or Serial No.
1	G005786-012030-00	螺栓M12×1.25×30 Bolt M12×1.25×30	2	
2	50DH-300001	垫片 Washer	2	
3	50DH-302000	缓冲垫 Shock pad	2	
4	G000093-000010-00	垫圈 10 Washer 10	4	
5	G006171-000010-01	螺母 M10×1.25 Bolt M10×1.25	4	
6	498BPG-15200-2A	发动机左支架 Engine Left bracket	1	发动机配 Supply by engine
7	498BPG-15100-2A	发动机右支架 Engine right bracket	1	发动机配 Supply by engine
8	G005783-010030-00	螺栓 M10×30 Bolt M10×30	10	
9	G000093-000010-00	垫圈 10 Washer 10	10	
10	R441-350100-000	发动机左支座 Engine Left support	1	©
10	RS451-350100-000	发动机左支座 Engine Left support	1	⊗
11	R441-350200-000	发动机右支座 Engine right support	1	©
11	RS451-350200-000	发动机右支座 Engine right support	1	⊗
12	G000093-000012-00	垫圈 12 Washer 12	8	
13	G005783-012035-00	螺栓M12×35 Bolt M12×35	8	

图 42 发动机安装
Fig.42 Engine mount

Ⓔ CPCD40/45-RW5

Ⓕ CPCD50-RXW5



序号 Item	物料码 Part No.	名称 Description	数量 Qty	备注或适用车型 Remarks or Serial No.
1	G005783-010035-00	螺栓 M10×35 Bolt	8	
2	G000093-000010-00	垫圈 10 Washer	8	
3	G006184-000014-01	螺母 M14 Nut	2	
4	N163-350005-000	垫圈 Washer	2	
5	R454-350200-000	发动机右支座 Engine right bracket	1	
6	R454-350100-000	发动机左支座 Engine Left bracket	1	
7	N163-350006-000	垫圈 Washer	4	
8	R450-350102-000	缓冲垫 Shock pad	4	
9	R450-350101-000	套管 Pipe	2	
10	G005782-014100-00	螺栓 M14×110 Bolt	2	

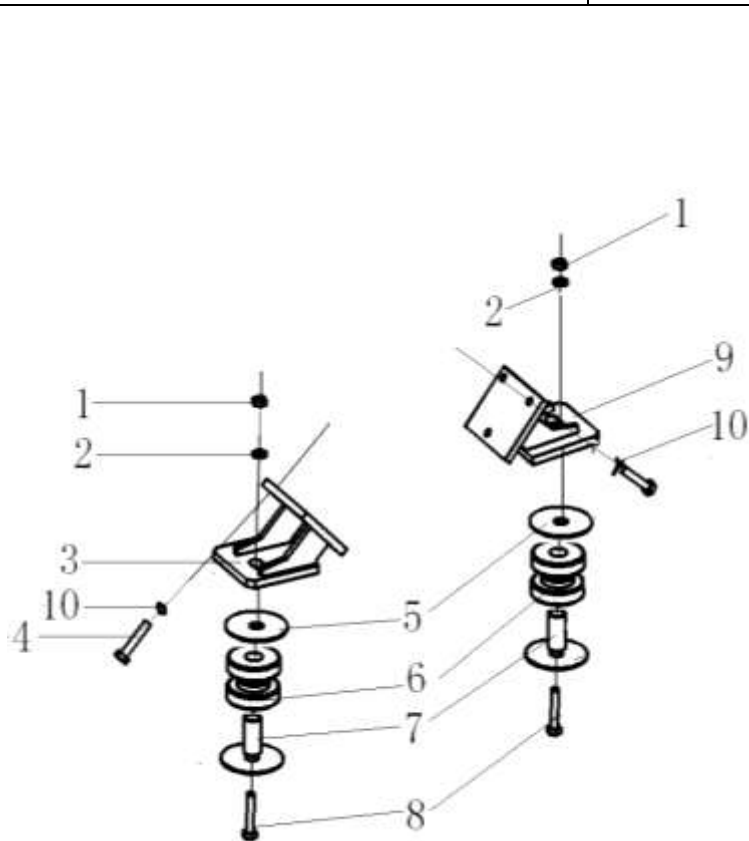
图 43 发动机安装
Fig.43 Engine mount

Ⓒ CPYD40/45-RW17
Ⓓ CPYD40/45-RW57

Ⓗ CPYD50-RXW17
Ⓖ CPYD50-RXW57

Ⓚ CPQYD40/45-RW57
Ⓛ CPYD40/45-RW24

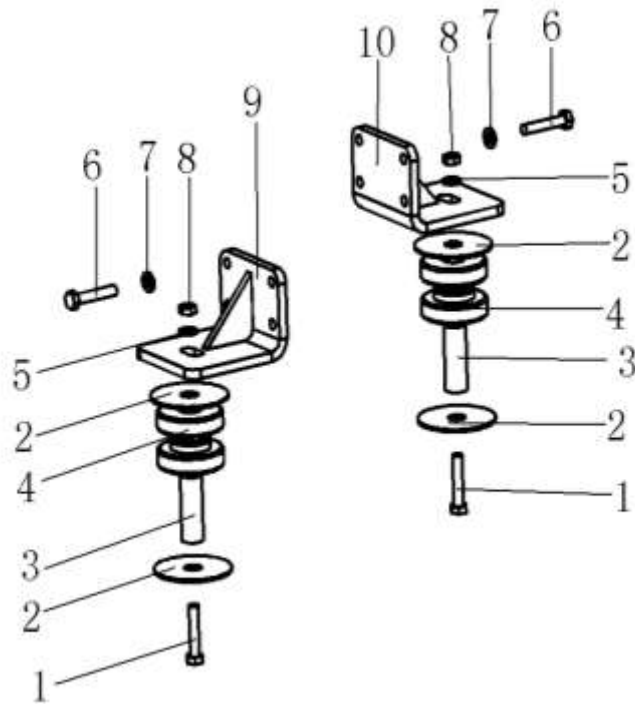
Ⓛ CPQYD50-RXW57
Ⓣ CPYD50-RXW24



序号 Item	物料码 Part No.	名称 Description	数量 Qty	备注或适用车型 Remarks or Serial No.
1	G006184-000014-01	螺母 M14 Nut M14	2	
2	N163-350005-000	垫圈 Washer	2	
3	R453-350100-000	发动机左支座 Engine Left bracket	1	
4	G005783-010035-00	螺栓 M10×35 Bolt	6	
5	N163-350006-000	垫圈 Washer	4	
6	R450-350102-000	缓冲垫 Shock pad	4	
7	R450-350101-000	套管 Pipe	2	
8	G005782-014100-00	螺栓 M14×110 Bolt	2	
9	R453-350200-000	发动机右支座 Engine right bracket	1	
10	G000093-000010-00	垫圈 10 Washer	6	

图 44 发动机安装
Fig.44 Engine mount

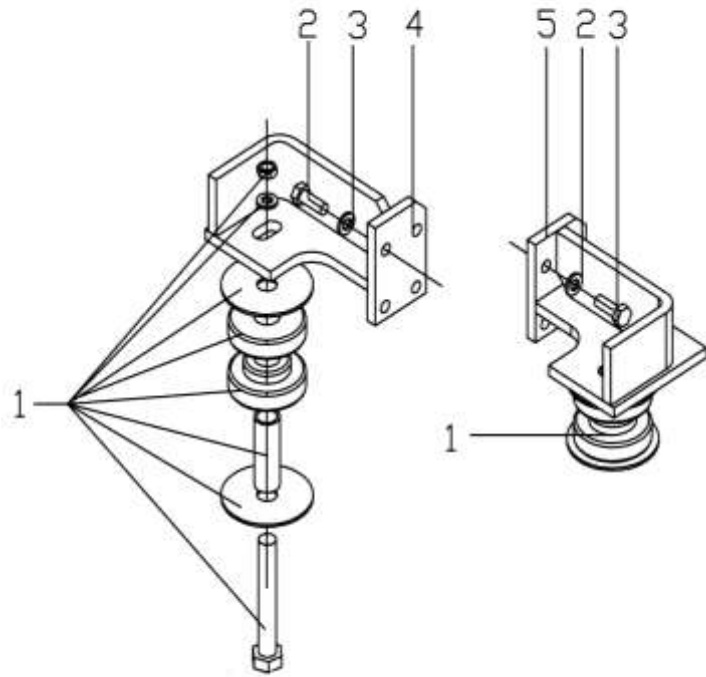
① CPCD40/45-RW19 ② CPCD50-RXW19 ③ CPCD40/45-RG42 ④ CPCD50-RXG42



序号 Item	物料码 Part No.	名称 Description	数量 Qty	备注或适用车型 Remarks or Serial No.
1	G005782-014100-00	螺栓 M14×110 Bolt M14×110	2	
2	N163-350006-000	垫圈 Washer	4	
3	R450-350101-000	套管 Pipe	2	
4	R450-350102-000	缓冲垫 Shock pad	4	
5	N163-350005-000	垫圈 Washer	2	
6	G005783-012035-00	螺栓M12×35 Bolt M12×35	8	① ②
3	G005783-012030-00	螺栓M12×30 Bolt M12×30	8	③ ④
7	G000093-000012-00	垫圈 12 Washer 12	8	
8	G006184-000014-01	螺母 M14 Nut M14	2	
9	R452-350100-000	发动机左支座 Engine Left bracket	1	① ②
9	R459-350100-000	发动机左支架 Engine Left bracket	1	③ ④
10	R452-350200-000	发动机右支座 Engine right bracket	1	① ②
10	R459-350200-000	发动机右支架 Engine right bracket	1	③ ④

图 45 发动机安装
Fig.45 Engine mount

© CPCD40/45-RW35 © CPCD50-RXW35



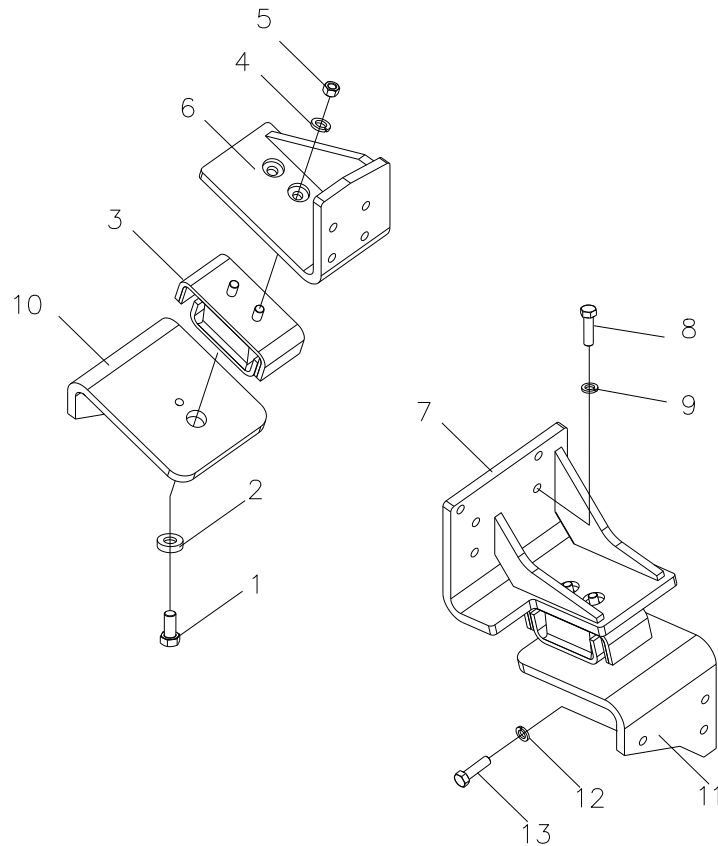
序号 Item	物料码 Part No.	名称 Description	数量 Qty	备注或适用车型 Remarks or Serial No.
1	R450-350100-000	缓冲垫总成 Shock pad	2	
2	G005783-012035-00	螺栓M12×35 Bolt	8	
3	G000093-000012-00	垫圈 12 Washer	8	
4	R457-351000-000	发动机左支座 Engine Left bracket	1	
5	R457-352000-000	发动机右支座 Engine right bracket	1	

图 46 发动机安装
Fig.46 Engine mount

Ⓜ CPC45-RG34-S

Ⓜ CPC50-RXG42

Ⓜ CPC45-RG42-S



序号 Item	物料码 Part No.	名称 Description	数量 Qty	备注或适用车型 Remarks or Serial No.
1	G005786-012030-00	螺栓 M12×1.25×30 Bolt M12×1.25×30	2	
2	50DH-300001	垫片 Washer	2	
3	50DH-302000	缓冲垫 Shock pad	2	
4	G000093-000010-00	垫圈 10 Washer 10	4	
5	G006171-000010-01	螺母 M10×1.25 Bolt M10×1.25	4	
6	R479-350100-000	发动机左支架 Engine Left bracket	1	Ⓜ Ⓜ
6	RS450-351000-000	发动机左支架 Engine Left bracket	1	Ⓜ
7	R479-350200-000	发动机右支架 Engine right bracket	1	Ⓜ Ⓜ
7	RS450-352000-000	发动机右支架 Engine right bracket	1	Ⓜ
8	G005783-012030-00	螺栓 M12×30 Bolt M12×30	8	
9	G000093-000012-00	垫圈 12 Washer 12	8	
10	RS450-353000-000	发动机左支座 Engine Left support	1	
11	RS450-354000-000	发动机右支座 Engine right support	1	
12	G000093-000012-00	垫圈 12 Washer 12	6	
13	G005783-012035-00	螺栓 M12×35 Bolt M12×35	6	

图 I 燃料管路系统
Fig. I Fuel Piping System

© CPYD40/45-RW17 Ⓜ CPYD50-RXW17

序号 Item	物料码 Part No.	名称 Description	数量 Qty	备注或适用车型 Remarks or Serial No.
1	R9615-341000-G00	LPG 高压进气管 LPG hose assy	1	<2011-01
1	R483-361005-800	锁闭阀进气管 LPG hose assy	1	≥2011-01
2	R9615-340001-G00	支架 bracket	1	<2011-01
3	R9615-340002-G00	公接头 elbow	1	<2011-01
4	R9615-340003-G00	母接头 elbow	1	<2011-01
5	R9615-343000-G00	胶管总成 hose	1	<2011-01
5	R483-364000-800	连接管件 hose	1	≥2011-01
6	R9615-342000-G00	三通 Bulkhead fitting	1	<2011-01
6	XF251-363000-800	三通部件 Bulkhead fitting	1	≥2011-01
7	R453-370001-000	支架 bracket	1	

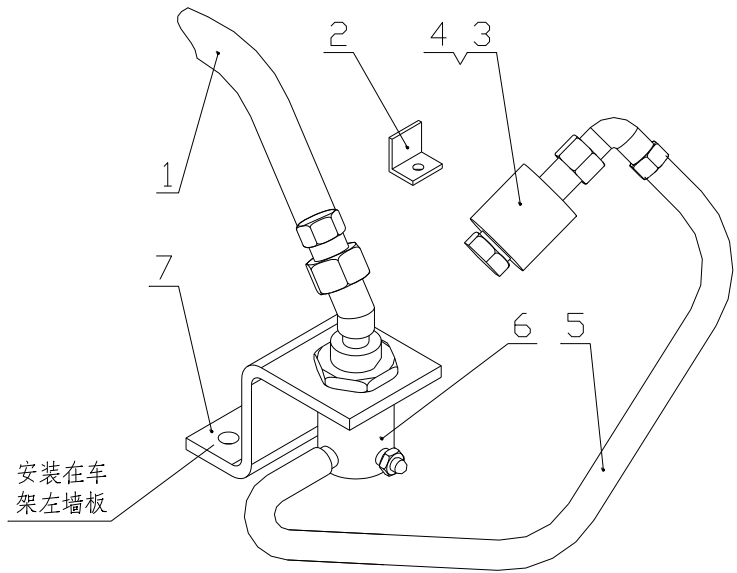
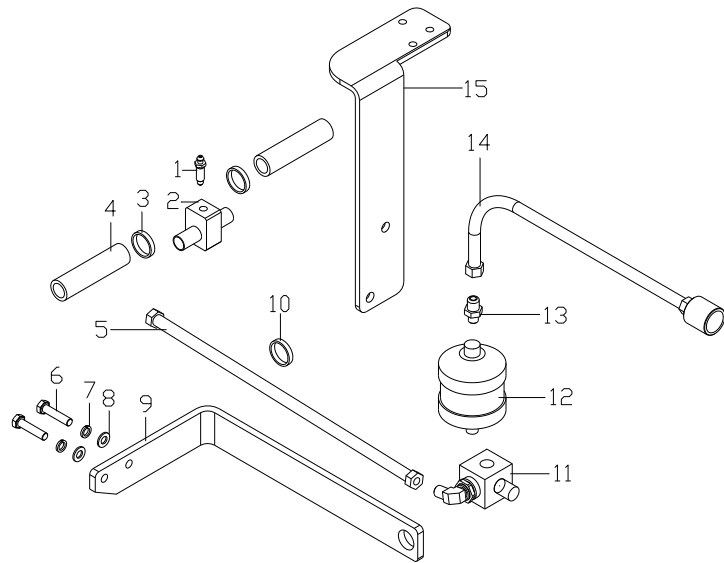


图 II LPG 燃料系统
Fig. II LPG Fuel System

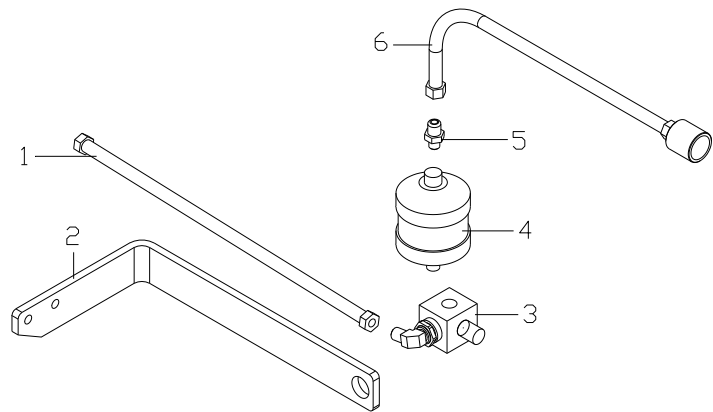
Ⓚ CPQYD40/45-RW57 Ⓛ CPQYD50-RXW57 ⓀⓁ CPYD40/45-RW57 ⓁⓁ CPYD50-RXW57



序号 Item	物料码 Part No.	名称 Description	数量 Qty	备注或适用车型 Remarks or Serial No.
1	GR515-360004-G00	放气螺钉 air bleed screw	1	
2	GR515-360100-000	三通水管接头 Tee pipe fitting	1	
3	Q672-24-G00	双钢丝式环箍 24 Clamp 24	2	
4	R455-360005-000	减压器出水管 water pipe	1	
5	X701-360100-000	锁闭阀进气管 LPG hose assy	1	
6	G005783-008035-00	螺栓M8×35 Bolt M8×35	2	
7	G000093-000008-00	垫圈8 Washer 8	2	
8	G0097P1-000008-00	垫圈8 Nut 8	2	
9	R456-360001-000	三通支架 bracket	1	
10	XF250-700001-G00	扎带 Ribbon	1	
11	R456-362000-G00	三通部件 Bulkhead fitting	1	
12	R455-360003-G00	LPG 过滤器 LPG Filter	1	
13	R455-360002-G00	管接头 hose Nipple	1	
14	R483-364000-800	连接管件 Hose	1	
15	R455-360001-000	减压器支架 Bracket of regulator	1	

图 III LPG 燃料系统
Fig. III LPG Fuel System

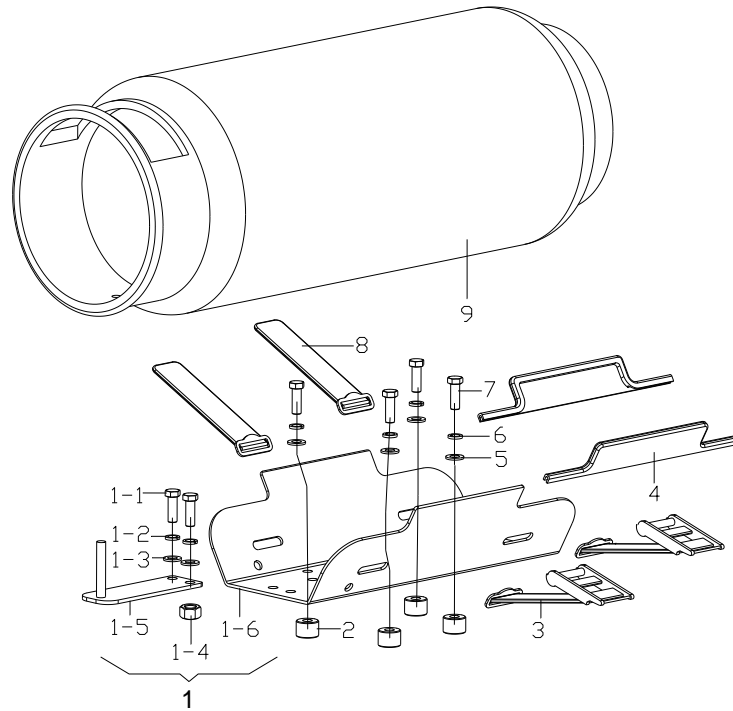
Ⓢ CPYD40/45-RW24 Ⓣ CPYD50-RXW24



序号 Item	物料码 Part No.	名称 Description	数量 Qty	备注或适用车型 Remarks or Serial No.
1	R456-361100-000	发动机 LPG 进气管 LPG hose assy	1	
2	R456-360001-000	三通支架 bracket	1	
3	R456-362000-G00	三通部件 Bulkhead fitting	1	
4	R455-360003-G00	LPG 过滤器 Filter	1	
5	R455-360002-G00	管接头 hose Nipple	1	
6	R456-361000-000	连接管件 Hose	1	

图IV 储气系统
Fig. IV LPG Storing system

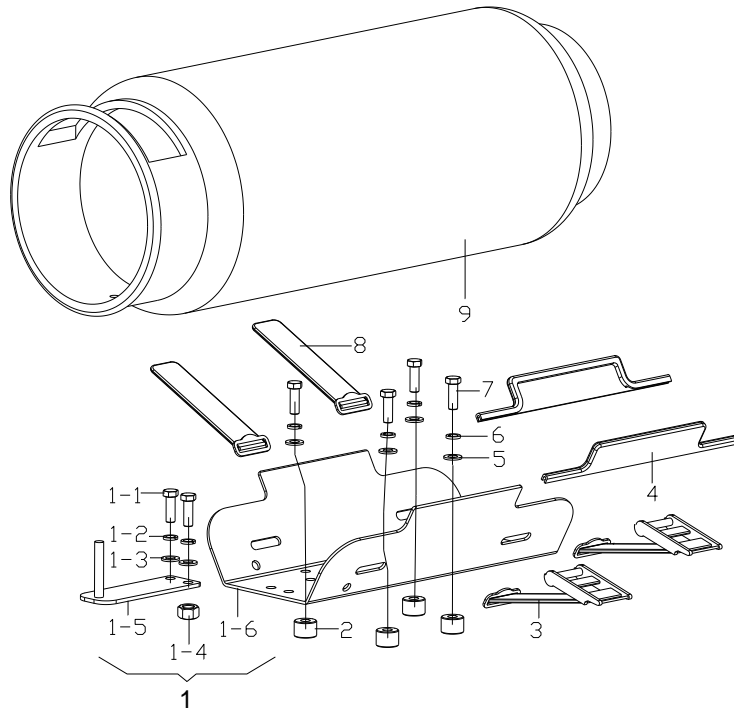
1.5t~X5t 液化气叉车
1.5t~X5t LPG forklift truck



序号 Item	物料码 Part No.	名称 Description	数量 Qty	备注或适用车型 Remarks or Serial No.
1	XF251-371000-000	钢瓶支架总成 Cylinder bracket assy	1	扎带式Fabric strap
1-1	G005783-012030-00	螺栓M12×30 Bolt M12×30	2	≥2013-04-20
1-2	G000093-000012-00	垫圈 12 Washer 12	2	≥2013-04-20
1-3	G0097P1-000012-00	垫圈 12 Washer 12	2	≥2013-04-20
1-4	GT06170-000012-01	螺母 M12 Nut M12	2	≥2013-04-20
1-5	NO PART NO.	支架固定板 Bracket frame plate	1	1.0t~1.8t, <2013-04-20 焊接件 weld assy
1-5	NO PART NO.	支架固定板bracket frame plate	1	2.0t~X5t, <2013-04-20 焊接件 weld assy
1-5	XF251-371200-000	支架固定板bracket frame plate	1	1.0t~X5t, ≥2013-04-20
1-6	XF251-370001-000	钢瓶支架 Cylinder bracket	1	
2	XF251-370002-000	垫块 Pad	4	
3	XF251-374000-000	后箍带总成 Rear band assy	2	序号 3、8 配对购买 Item 3,8 Provide together
4	XF251-370004-000	插片式垫带 I Chip chap pad I	2	
5	G0097P1-000012-00	垫圈 12 Washer 12	4	
6	G000093-000012-00	垫圈 12 Washer 12	4	

图IV 储气系统
Fig. IV LPG Storing system

1.5t~X5t 液化气叉车
1.5t~X5t LPG forklift truck



序号 Item	物料码 Part No.	名称 Description	数量 Qty	备注或适用车型 Remarks or Serial No.
7	G005783-012025-00	螺栓M12x25 Bolt M12x25	4	
8	XF251-373000-000	前箍带总成 Front band assy	2	序号 3、8 配对购买 Item 3,8 Provide together
9	N051-372000-000	钢瓶总成 Cylinder assy	1	1.5t~1.8t
9	N171-372000-000	钢瓶总成 Cylinder assy	1	4.0t~X5t

第四部分 车身系统目录

Part IV Body system contents

- | | | | |
|------------------|-------------------|------------------|----------------|
| Ⓐ CPCD40/45-RG24 | Ⓑ CPCD50-RXG24 | Ⓒ CPC40/45-RG31 | Ⓓ CPC50-RXG24 |
| Ⓔ CPCD40/45-RW5 | Ⓕ CPCD50-RXW5 | Ⓖ CPYD40/45-RW17 | Ⓗ CPYD50-RXW17 |
| Ⓙ CPCD50-RXW19 | Ⓚ CPQYD40/45-RW57 | Ⓛ CPQYD50-RXW57 | Ⓜ CPYD50-RXW57 |
| Ⓢ CPYD40/45-RW24 | Ⓣ CPYD50-RXW24 | ⓐ CPCD40/45-RW35 | ⓑ CPCD50-RXW35 |
| Ⓧ CPC45-RG43-S | Ⓨ CPC45-RG42-S | ⓓ CPCD40/45-RG42 | ⓔ CPCD50-RXG42 |
| | | ⓕ CPC45-RG34-S | ⓖ CPC50-RXG42 |

序号 Item	名称 Description	适用车型 Serial No.	页码 Page
图 1 Fig. 1	平衡重总成 Counterweight assy	全部车型 All models of truck	4-1
图 2 Fig. 2	标示 Nameplate	全部车型 All models of truck	4-3
图 3 Fig. 3	座椅总成 (1) Seat assy (1)	全部车型 All models of truck	4-9
图 4 Fig. 4	座椅总成 (2) Seat assy (2)	全部车型 All models of truck	4-10
图 5 Fig. 5	车身系统 Truck body system	全部车型 All models of truck	4-11
图 6 Fig.6	仪表架总成 Instrument frame assy	全部车型 All models of truck	4-13
图 7 Fig. 7	机罩及底板总成 (一) Hood and floor board assy(I)	全部车型 All models of truck	4-14

序号 Item	名称 Description	适用车型 Serial No.	页码 Page
图 8 Fig. 8	机罩及底板总成 (二) Hood and floor board assy(II)	全部车型 All models of truck	4-21
图 9 Fig. 9	锁扣总成 Lock catch assy	全部车型 All models of truck	4-22
图 10 Fig. 10	护顶架 Overhead guard	全部车型 All models of truck	4-24

图 1 平衡重总成
Fig.1 Counter balance assy

全部车型
All models of truck

序号 Item	物料码 Part No.	名称 Description	数量 Qty	备注或适用车型 Remarks Or Serial NO.
1	R420-010001-000	平衡重 Counter balance	1	4t
	R450-010001-000			4.5t
	R480-010001-000			5t
2	N163-010002-000	塞子 Plug	2	
3	R450-011000-000	牵引销 Towing pin	1	not CE
3	R450-011000-800	牵引销 Towing pin	1	For CE
4	R450-010002-000	垫圈 Washer	2	
5	G007244-000036-00	弹簧垫圈 36 Spring washer	2	
6	G005782-036180-00	螺栓 M36×180 Bolt M36×180	2	
7	N163-010007-000	调整垫片 Adjust shim	4	
8	G0097P1-000010-00	垫圈 10 Washer 10	4	
9	G000093-000010-00	垫圈 10 Washer 10	4	
10	G005783-010020-00	螺栓 M10×20 Bolt M10×20	4	
11	R450-010003-000	调整垫片 Adjust shim	2	
12	R450-011002-800	锁销 Lock pin	1	For CE

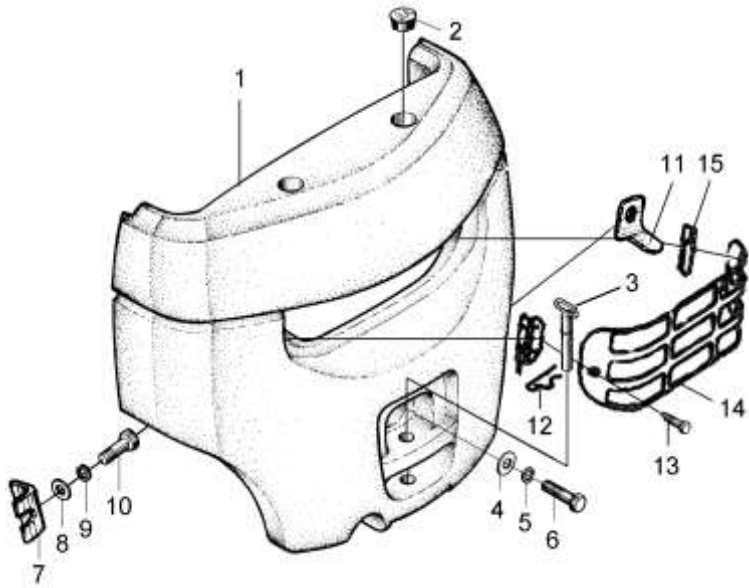
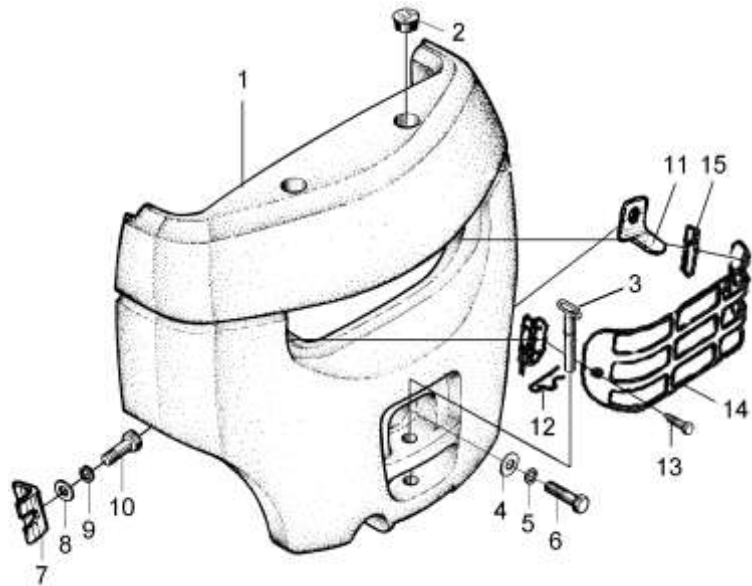


图 1 平衡重总成
Fig.1 Counter balance assy

全部车型
All models of truck



序号 Item	物料码 Part No.	名称 Description	数量 Qty	备注或适用车型 Remarks Or Serial NO.
13	N163-420100-000	螺钉组件 Screw assy	6	For CE
14	R450-010005-500	平衡重网罩 Counter balance net cover	1	For CE
15	R840-010004-500	支架 Bracket	2	For CE

图2 标示
Fig.2 Nameplate

全部车型
All models of truck

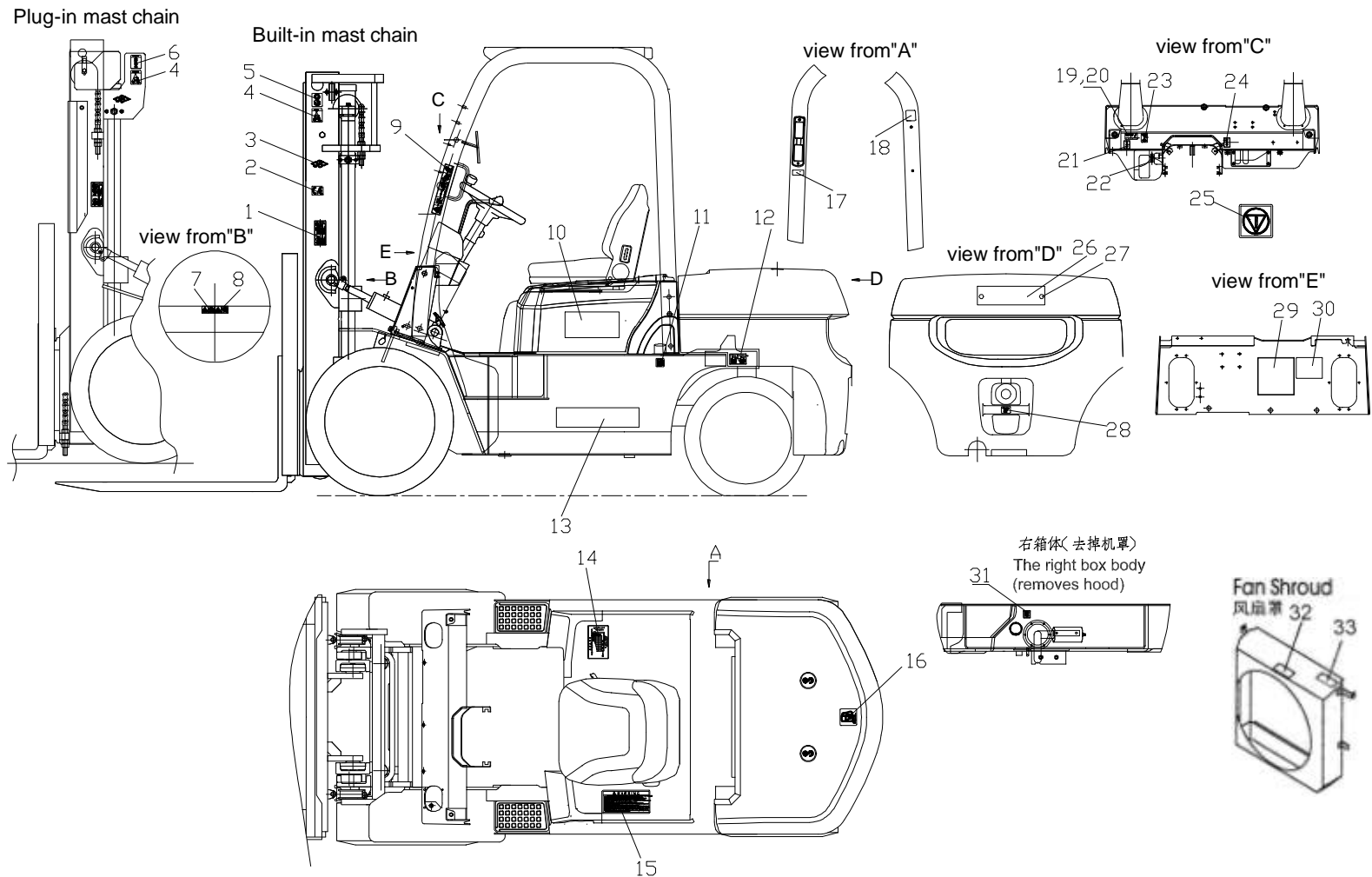


图2 标示
Fig.2 Nameplate

全部车型
All models of truck

序号 Item	代号 Part No.	名称 Description	数量 Qty	备注或适用车型 Remarks or Serial No.
1	R960-020049-001	危险标签 Dangerous nameplate	2	中文
1	R960-020031-001	危险标签 Dangerous nameplate	2	English
2	R960-020012-001	CE 标签 CE nameplate	2	For CE
3	R960-020059-W00	HC 标志 HC nameplate	2	
4	R960-020047-001	起吊标签 Lift nameplate	2	中文
4	R960-020019-001	起吊标签 Lift nameplate	2	English
5	R960-020035-001	起吊标签 Lift nameplate	2	链条内置门架 Built-in mast chain
6	R960-020018-001	起吊标签 Lift nameplate	2	链条外置门架 External mast chain
7	R960-020015-001	危险标签 Dangerous nameplate	1	中文
7	R960-020033-001	危险标签 Dangerous nameplate	1	English
8	R960-020048-001	危险标签 Dangerous nameplate	1	中文
8	R960-020032-001	危险标签 Dangerous nameplate	1	English
9	R960-020027-001	安全带标签 Safe belt nameplate	1	English
10	R420-020001-001	吨位标签 Ton nameplate	2	4t 中文
10	R420-020009-001	吨位标签 Ton nameplate	2	4t English

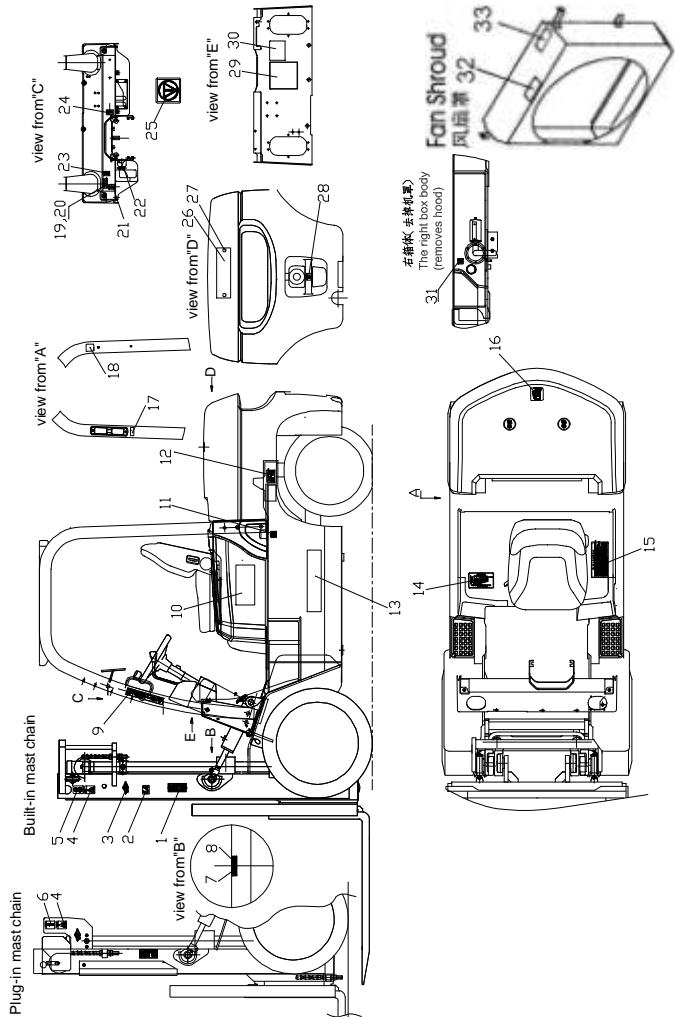


图2 标示
Fig.2 Nameplate

全部车型
All models of truck

序号 Item	代号 Part No.	名称 Description	数量 Qty	备注或适用车型 Remarks or Serial No.
10	R450-020001-001	吨位标签 Ton nameplate	2	4.5t 中文
10	R450-020015-001	吨位标签 Ton nameplate	2	4.5t English
10	R480-020001-001	吨位标签 Ton nameplate	2	5t 中文
10	R480-020009-001	吨位标签 Ton nameplate	2	5t English
11	R960-020028-001	柴油标签 Diesel oil nameplate	1	柴油叉车 Diesel forklift
11	R960-020006-001	汽油标签 Gasoline nameplate	1	汽油机及双燃料叉车 Gasoline&CNG forklift
12	R450-020012-001	轮胎气压标签 Type pressure nameplate	1	4.0-5.0t 中文
12	R450-020013-001	轮胎气压标签 Type pressure nameplate	1	4.0-5.0t English
13	50DH-010008	杭州字样标签 Script nameplate	2	中文
13	R960-020037-001	HANGCHA 字样标签 Script nameplate	2	English
14	R450-020006-001	载荷曲线标牌 Load nameplate	1	中文, 门架起升高度 H≤3.6m H=4.7m,4.8m,5.5m 和 (两级门架 h=4.3m,4.5m)
14	R450-020007-001	载荷曲线标牌 Load nameplate	1	中文 门架起升高度 H=4m,5m,6m 和 (三级门架 h=4.3m,4.5m)

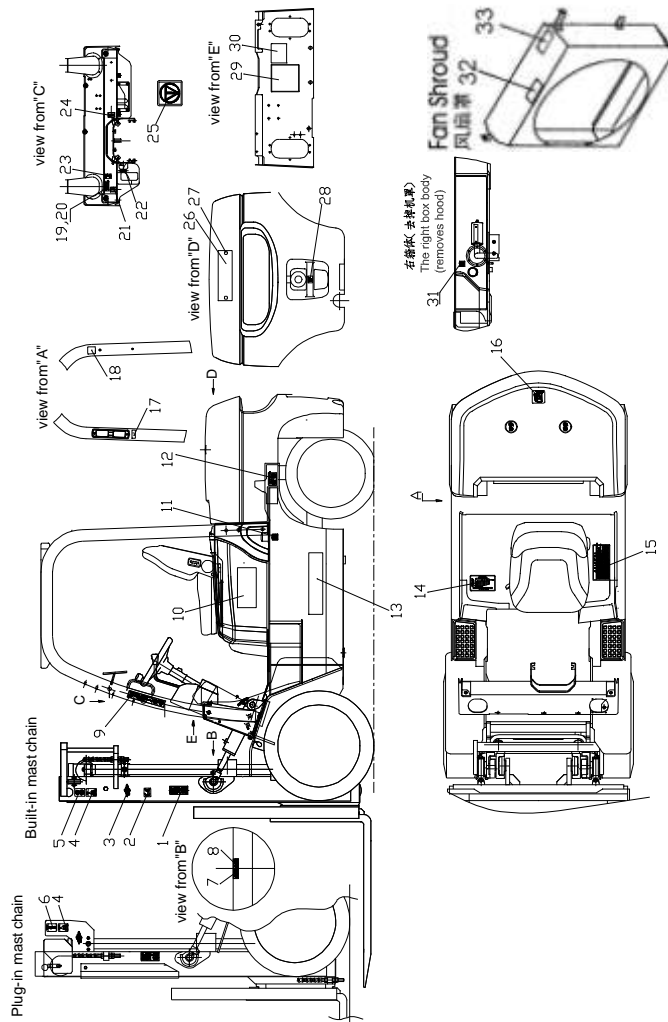


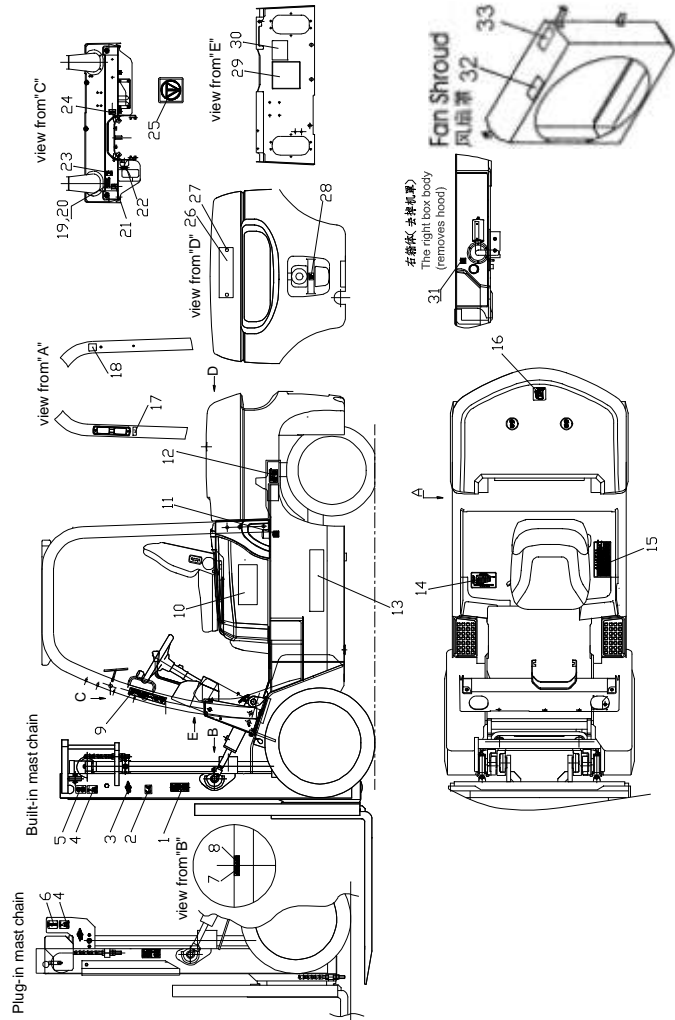
图2 标示
Fig.2 Nameplate

全部车型
All models of truck

	14	R450-020008-001	载荷曲线标牌 Load nameplate	1	English, Mast Lift height H≤3.6m H=4.7m, 4.8m, 5.5m and (simplex, duplex mast h=4.3m, 4.5m)
	14	R450-020009-001	载荷曲线标牌 Load nameplate	1	English, Mast Lift height H=4m, 5m, 6m and (Triplex mast h=4.3m, 4.5m)
	14	R480-020005-001	载荷曲线标牌 Load nameplate	1	中文, 门架起升高度 H≤3.6m H=4.7m, 4.8m, 5.5m 和 (二级门架 h=4.3m, 4.5)
	14	R480-020006-001	载荷曲线标牌 Load nameplate	1	中文, 门架起升高度 H=4m, 5m, 6m 和 (三级门架 h=4.3m, 4.5m)
	14	R480-020007-001	载荷曲线标牌 Load nameplate	1	English, Mast Lift height H≤3.6m H=4.7m, 4.8m, 5.5m and (simplex, duplex mast h=4.3m, 4.5m)
	14	R480-020008-001	载荷曲线标牌 Load nameplate	1	English, Mast Lift height H=4m, 5m, 6m and (Triplex mast h=4.3m, 4.5m)
	15	R960-020029-001	警告标签 Warn nameplate	1	中文
	15	R960-020009-001	警告标签 Warn nameplate	1	English
	16	R960-020025-001	LPG 标签 LPG nameplate	1	中文
	16	R960-020053-001	LPG 标签 LPG nameplate	1	English

图2 标示
Fig.2 Nameplate

全部车型
All models of truck



序号 Item	代号 Part No.	名称 Description	数量 Qty	备注或适用车型 Remarks or Serial No.
17	R960-020013-001	严禁冲水标签 No swashing nameplate	1	中文
17	R960-020014-001	严禁冲水标签 No swashing nameplate	1	English
18	R450-020011-001	噪音标示 Noise nameplate	1	CE 4.0-5.0t
19	R960-020007-001	操作标签 1 Operation nameplate 1	1	English (Hydraulic forklifts)
19	R960-020008-001	操作标签 2 Operation nameplate 2	1	English (Mechanical forklift)
20	R960-020039-001	操作标签 1 Operation nameplate 1	1	中文 (液力叉车)
20	R960-020038-001	操作标签 2 Operation nameplate 2	1	中文 (机械叉车)
21	R960-020054-001	机罩锁扣标签 Machine cover lock nameplate	1	中文
22	R960-020036-001	档位标签 Shift nameplate	1	机械换向叉车 Machine liquid reversing forklift
23	R960-020022-001	手制动器标签 Brake nameplate	1	
24	R960-020057-001	熄火拉线标签 Flameout arrows nameplate	1	中文
25	R960-020030-001	紧停标签 Emergency Stop nameplate		
26	RC250-010002-000	铸造 HC Casting HC	1	English(HC)
26	R960-020037-001	HANGCHA 字样标签 Script nameplate	1	English
26	R960-010101-000	杭州字样 Script	1	中文

图2 标示
Fig.2 Nameplate

全部车型
All models of truck

序号 Item	代号 Part No.	名称 Description	数量 Qty	备注或适用车型 Remarks or Serial No.
27	G000819-005016-00	螺钉 M5×16 Screw M5×16	3	English(HC)
27	G000068-006016	螺钉 M6×16 Screw M6×16	4	中文
28	R960-020023-001	拴系点标签 Tie down point nameplate	1	
29	R960-020020-001	润滑系统标签 Lubrication	1	中文
29	R960-020021-001	润滑系统标签 Lubrication	1	English
30	NO RART NO.	产品铭牌 Product nameplate	1	
31	R960-020011-001	液压油标签 Hydraulic oil nameplate	1	
32	R960-020040-001	切手危险标签 Hand cut risk label	1	中文
32	R960-020034-001	切手危险标签 Hand cut risk label	1	English
33	R960-020016-001	防冻液标签 Antifreeze nameplate	1	中文
33	R960-020017-001	防冻液标签 Antifreeze nameplate	1	English

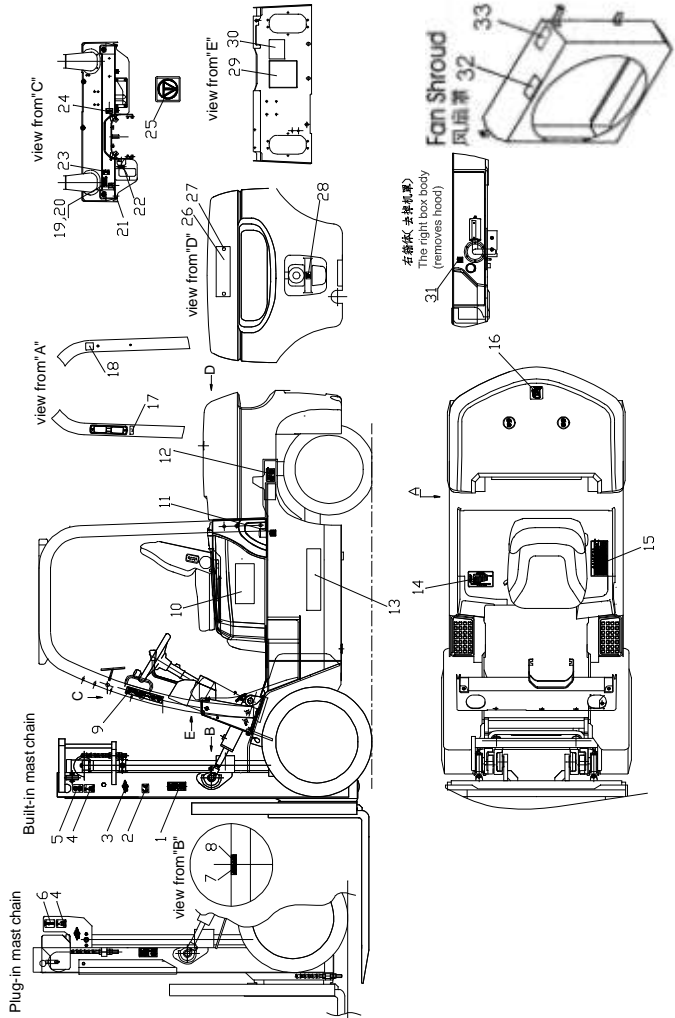
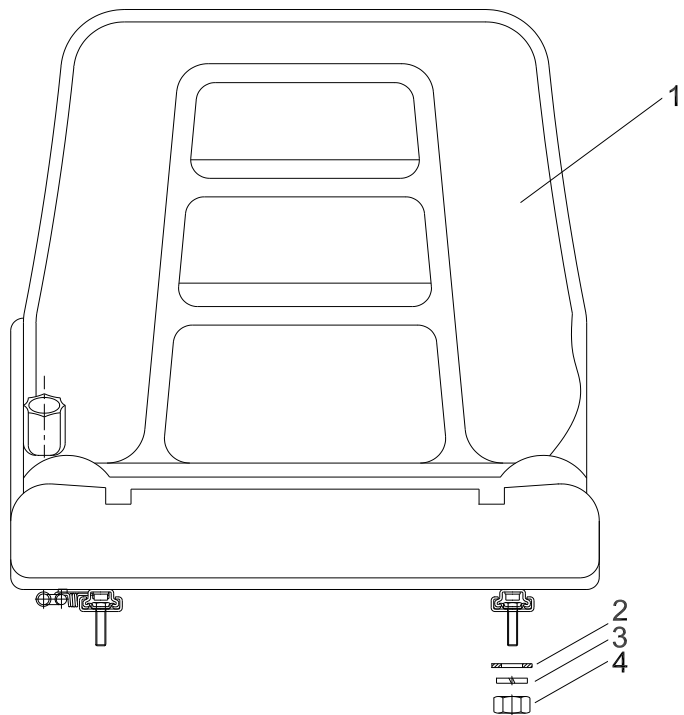


图3 座椅总成 (1)
Fig.3 Seat assy (1)

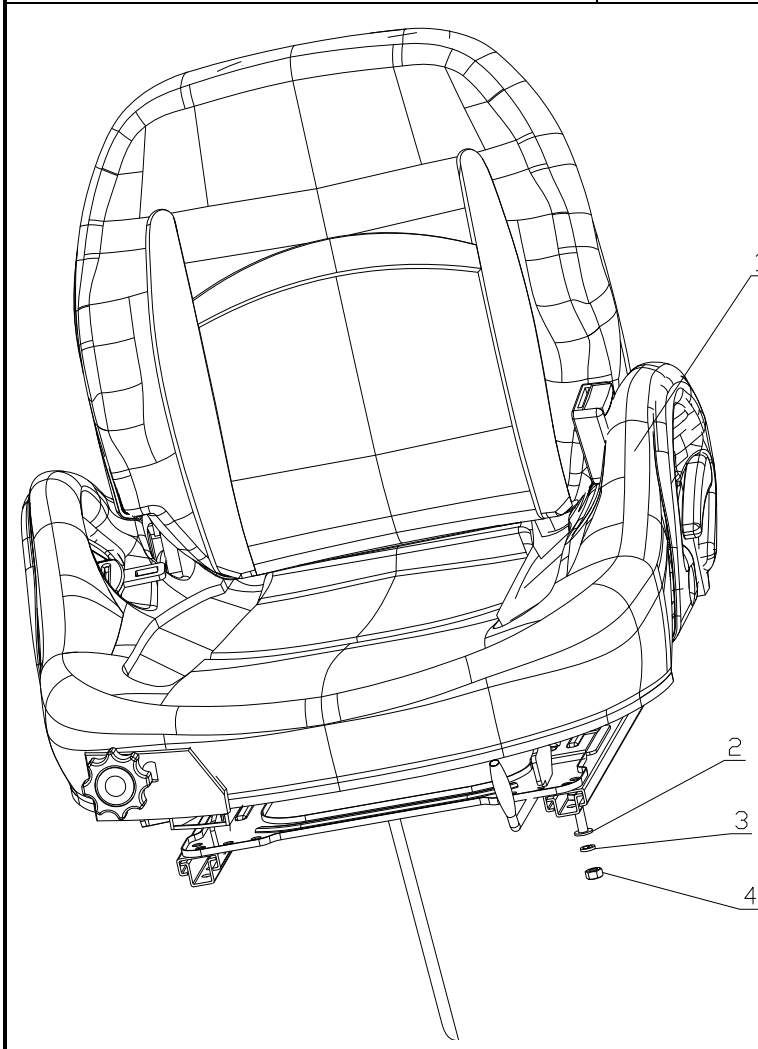
全部车型
All models of truck



序号 Item	物料码 Part No.	名称 Description	数量 Qty	备注或适用车型 Remarks Or Serial NO.
A	R960-030000-000	座椅总成 Seat assy	1	包含 INC:1-4
1	NO PART NO.	座椅 Seat	1	
2	G005783-008016-00	螺母 M8 Nut M8	4	
3	G000093-000008-00	垫圈8 Washer 8	4	
4	G0097P1-000008-00	垫圈8 Washer 8	4	

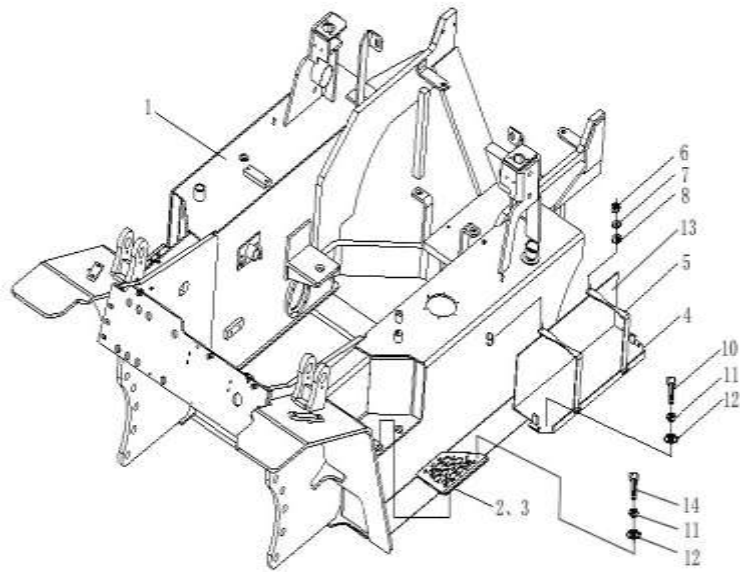
图4 座椅总成(2)
Fig.4 Seat assy (2)

全部车型
All models of truck



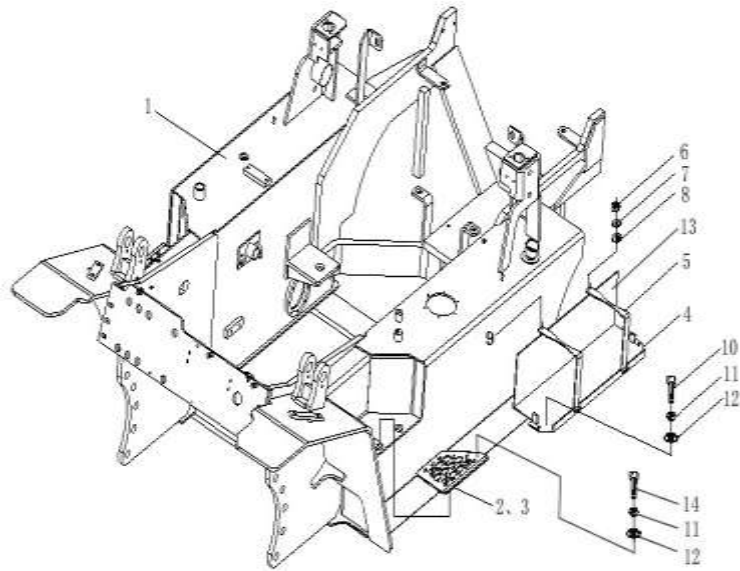
序号 Item	物料码 Part No.	名称 Description	数量 Qty	备注或适用车型 Remarks Or Serial No.
A	XF250-030000-G51	座椅总成 Seat assy	1	包含 INC:1-4
1	NO PART NO.	座椅 Seat	1	
2	G000093-000008-00	垫圈8 Washer 8	4	
3	G0097P1-000008-00	垫圈8 Washer 8	4	
4	G005783-008016-00	螺母 M8 Nut M8	4	

图5 车身系统
Fig.5 Truck body system



序号 Item	物料码 Part No.	名称 Description	数量 Qty	备注或适用车型 Remarks Or Serial NO.
1	R450-410000-000	车架 Chassis	1	Ⓐ
1	R480-410000-000	车架 Chassis	1	Ⓑ
1	R441-410000-000	车架 Chassis	1	Ⓒ
1	R470-410000-000	车架 Chassis	1	Ⓓ Ⓔ Ⓜ Ⓧ Ⓨ
1	R454-410000-000	车架 Chassis	1	Ⓔ
1	R484-410000-000	车架 Chassis	1	Ⓕ
1	R453-410000-000	车架 Chassis	1	Ⓖ Ⓚ Ⓛ Ⓢ
1	R483-410000-000	车架 Chassis	1	Ⓜ Ⓛ Ⓛ Ⓣ
1	R452-410000-000	车架 Chassis	1	Ⓡ
1	R482-410000-000	车架 Chassis	1	Ⓢ
1	R457-410000-000	车架 Chassis	1	Ⓣ Ⓤ
1	R487-410000-000	车架 Chassis	1	Ⓟ Ⓠ
2	R450-450001-000	左踏板 Left pedal	1	
3	R450-450002-000	右踏板 Right pedal	1	
4	R450-442000-000	电瓶盒托架 Battery box bracket	1	Ⓐ Ⓒ Ⓑ Ⓓ Ⓔ Ⓕ Ⓡ Ⓢ Ⓜ Ⓝ Ⓡ Ⓧ

图5 车身系统
Fig.5 Truck body system



序号 Item	物料码 Part No.	名称 Description	数量 Qty	备注或适用车型 Remarks Or Serial NO.
4	R453-442000-000	电瓶盒托架 Battery box bracket	1	ⓐ ⓑ ⓓ ⓔ ⓕ ⓖ ⓗ ⓘ
4	R457-442000-000	电瓶盒托架 Battery box bracket	1	ⓐ ⓑ ⓓ ⓔ ⓖ ⓘ
5	R450-441000-000	压板 Pressboard	2	除外 Except ⓐ ⓑ ⓓ ⓖ ⓗ ⓘ
5	R457-411000-000	压板 Pressboard	2	ⓐ ⓑ ⓓ ⓔ ⓖ ⓘ
6	G006170-000006-00	螺母 M6 Nut M6	2	
7	G000093-000006-00	垫圈6 Washer 6	2	
8	G0097P1-000006-00	垫圈6 Washer 6	2	
9	R450-440001-000	拉杆 Pull rod	2	
10	G005783-008020-00	螺栓 M8×20 Bolt M8×20	3	
11	G000093-000008-00	垫圈8 Washer 8	9	
12	G0097P1-000008-00	垫圈8 Washer 8	9	
13	R450-440002-000	隔热垫 Heat insulating mattress	1	除外 Except, ⓐ ⓑ ⓓ ⓔ ⓕ ⓖ ⓗ ⓘ
13	R453-440002-000	隔热垫 Heat insulating mattress	1	ⓐ ⓑ ⓓ ⓔ ⓕ ⓖ ⓗ ⓘ
14	G005783-008016-00	螺栓 M8×16 Bolt M8×16	6	
14	G005783-008016-00	螺栓 M8×16 Bolt M8×16	6	

图6 仪表架总成
Fig.6 Instrument frame assy

全部车型
All models of truck

序号 Item	物料码 Part No.	名称 Description	数量 Qty	备注或适用车型 Remarks Or Serial NO.
1	R450-421000-000	仪表架 Instrument frame	1	<2014-04-01
1	R450-421000-001	仪表架 Instrument frame	1	≥2014-04-01
2	R450-420003-000	左护罩 Left cover	1	
3	N163-420400-000	螺钉组件 Screw	3	
4	R450-420004-000	右护罩 Right cover	1	
5	N163-420100-000	螺钉组件 Screw	4	
6	N163-420006-000	圆形封条 Circular seal	1	
7	N163-420005-000	矩形封条 Rectangular seal	1	
8	R450-420002-000	压板 Pressboard	4	选配 Optional
9	N163-610100-W00	扣件 Fastener	12	选配 Optional
10	Q676-127-G00	蜗杆传动式软管环箍 127 Clamp 127	2	选配 Optional
11	R450-420001-000	防尘罩 Dustproof hood	2	选配 Optional
12	N163-420500-000	螺栓组件 Bolt	7	
13	R450-420005-000	圆形封条 Circular seal	2	

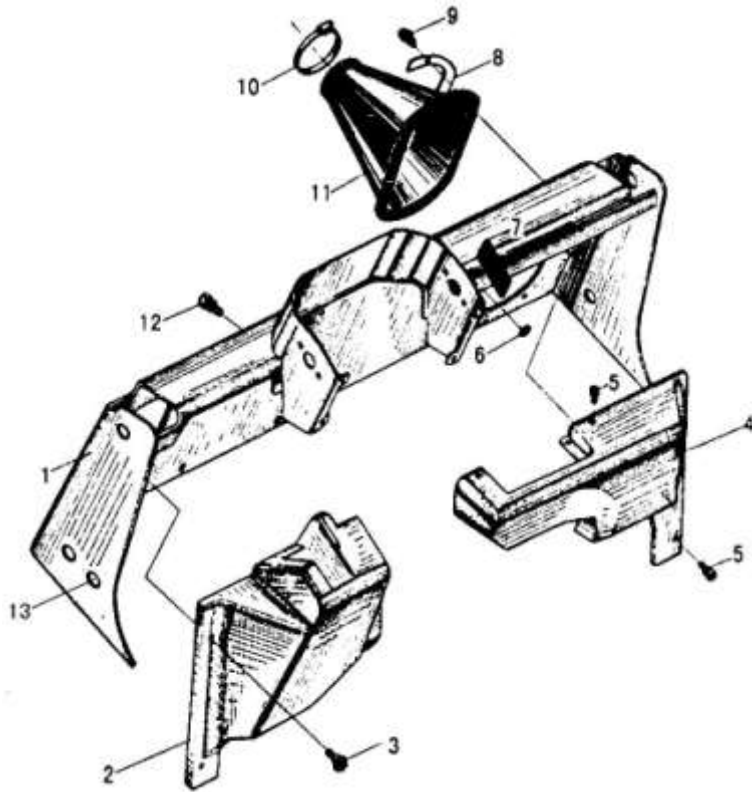


图7 机罩及底板总成(一)
Fig.7 Hood and floor board assy(I)

全部车型
All models of truck

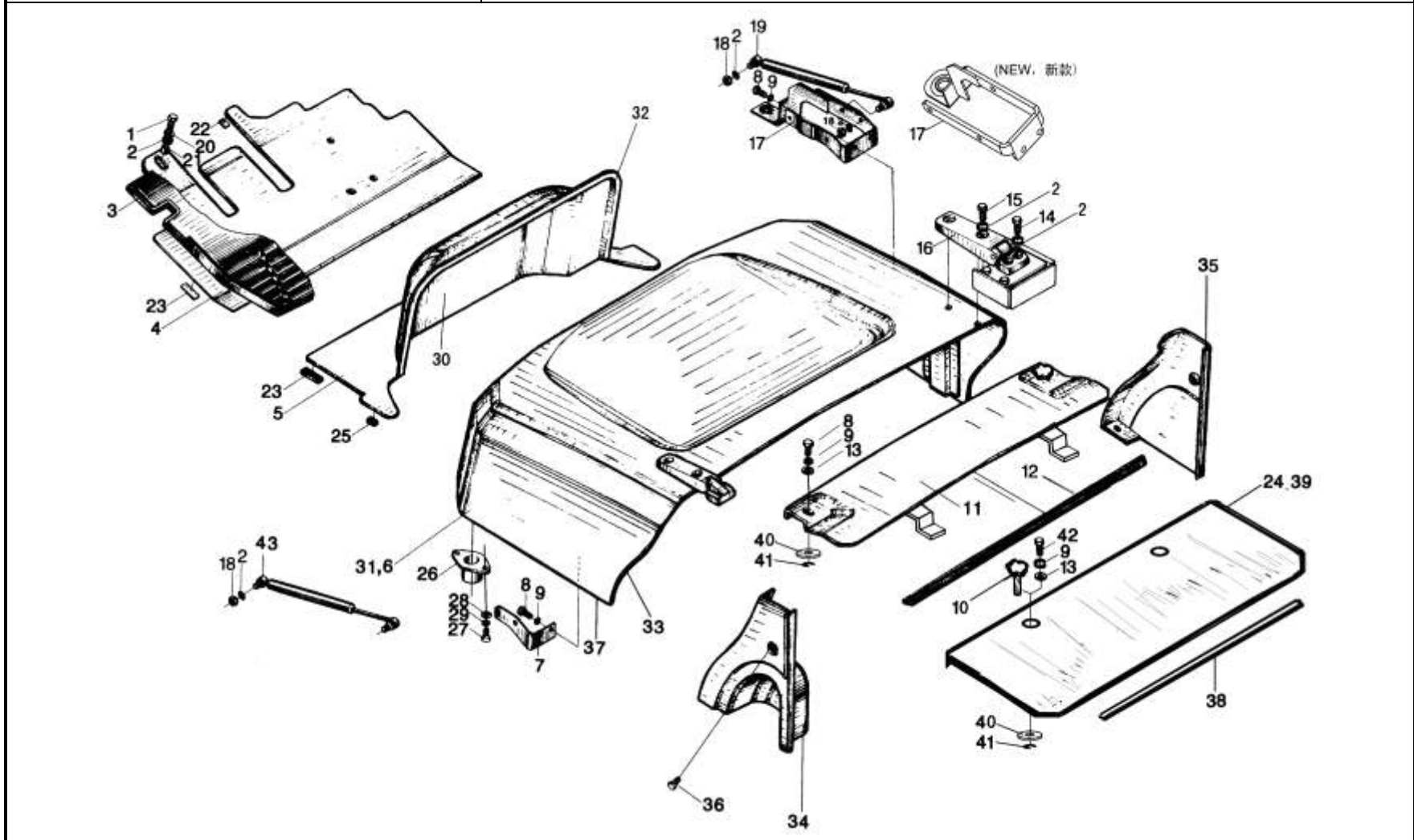


图7 机罩及底板总成(一)
Fig.7 Hood and floor board assy(I)

全部车型
All models of truck

序号 Item	物料码 Part No.	名称 Description	数量 Qty	备注或适用车型 Remarks Or Serial NO.
1	G0029P2-008030-00	螺栓 M8×30 Bolt M8×30	1	
2	G0097P1-000008-00	垫圈8 Washer 8	13	
3	R450-430003-001	踏板垫 Pedal pad	1	R450-430003-000 A B E F G H I J O P U V
3	R455-430003-000	踏板垫 Pedal pad	1	K K1 S
3	R450-430003-000	踏板垫 Pedal pad	1	L L1 T
3	R441-430001-000	踏板垫 Pedal pad	1	<2014-04-01 C D R W X Y
3	R441-430001-001	踏板垫 Pedal pad	1	≥2014-04-01 C D R W X Y
4	R450-431100-000	前底板 Floor board	1	<2014-04-01 A B E F G H I J O P U V
4	R450-431100-001	前底板 Floor board	1	≥2014-04-01 A B E F G H I J O P U V
4	R441-431100-000	前底板 Floor board	1	<2014-04-01 C D R W X Y
4	R441-431100-001	前底板 Floor board	1	≥2014-04-01 C D R W X Y
4	R488-431100-000	前底板 Floor board	1	K L K1 L1 S T

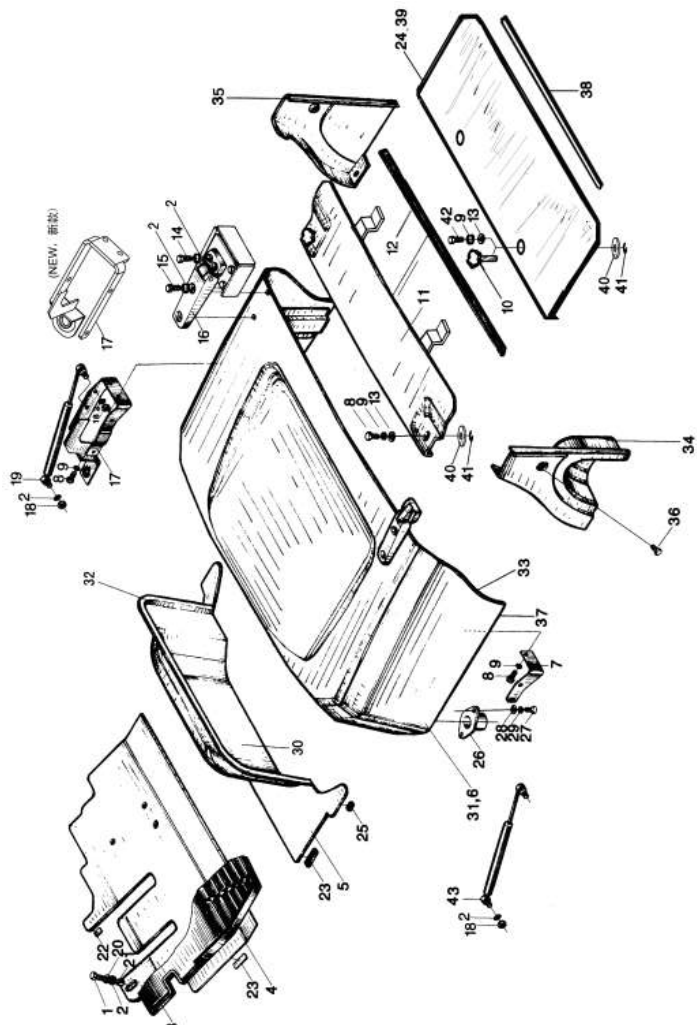


图7 机罩及底板总成(一)
Fig.7 Hood and floor board assy(I)

全部车型
All models of truck

序号 Item	物料码 Part No.	名称 Description	数量 Qty	备注或适用车型 Remarks Or Serial NO.
5	R450-432000-000	后底板 Bear board	1	
6	R450-433000-000	机罩组件 Hood assy	1	Not CE
6	R450-433000-800	机罩组件 Hood assy	1	CE
7	N163-430002-000	左支架 Left bracket	1	
8	G005783-008020-00	螺栓 M8×20 Bolt M8×20	10	Not CE
8	G005783-008020-00	螺栓 M8×20 Bolt M8×20	8	For CE
9	G000093-000008-00	垫圈8 Washer 8	18	Not CE
A1	XF250-430100-800	螺钉组件 Screw assy	2	For CE INC:9,13,41,42
9	G000093-000008-00	垫圈8 Washer 8	20	For CE
10	N163-430004-000	拧紧螺栓 Bolt	2	Not CE
11	R450-430100-000	前水箱盖板 Cover plate, rear	1	Not CE
11	R450-430100-800	前水箱盖板 Cover plate, rear	1	For CE
12	R450-430005-000	密封条 Seal Strip	1	
13	G000096-000008-00	垫圈8 Washer 8	2	Not CE
13	G000096-000008-00	垫圈8 Washer 8	4	For CE

图7 机罩及底板总成(一)
Fig.7 Hood and floor board assy(I)

全部车型
All models of truck

序号 Item	物料码 Part No.	名称 Description	数量 Qty	备注或适用车型 Remarks Or Serial NO.
14	G005783-008025-00	螺栓 M8x25 Bolt M8x25	4	
15	G0029P2-008025-00	螺栓 M8x25 Bolt M8x25	4	
16	N163-435000-000	铰链 Gemel	2	
17	R453-434000-000	右支架组件 Left bracket assy	1	≥2012-12 Ⓚ Ⓛ Ⓚ Ⓛ Ⓢ Ⓣ
17	R450-434000-000	右支架总成 Left bracket	1	≤2013-09,剩余车型 Remaining models
17	R453-434000-000	右支架组件 Left bracket assy	1	≥2012-09,剩余车型 Remaining models
18	G006177-000008-00	螺母 M8 Nut M8	4	
19	QC20-180-650/500-G00	气弹簧 Air spring	1	
20	N163-431003-000	缓冲套 Mounting insulator	1	
21	N163-431004-000	套筒 Sleeve	1	
22	N163-431002-000	缓冲垫 Insulator	1 或 2	
23	R450-431001-000	缓冲垫 Insulator	4	
24	R450-430010-000	后水箱盖板 4.0-4.5t Cover plate,Rear	1	非高位排气+非 LPG Not high order exhaust and not LPG
	R480-430001-000	后水箱盖板 5.0 t Cover plate,Rear	1	

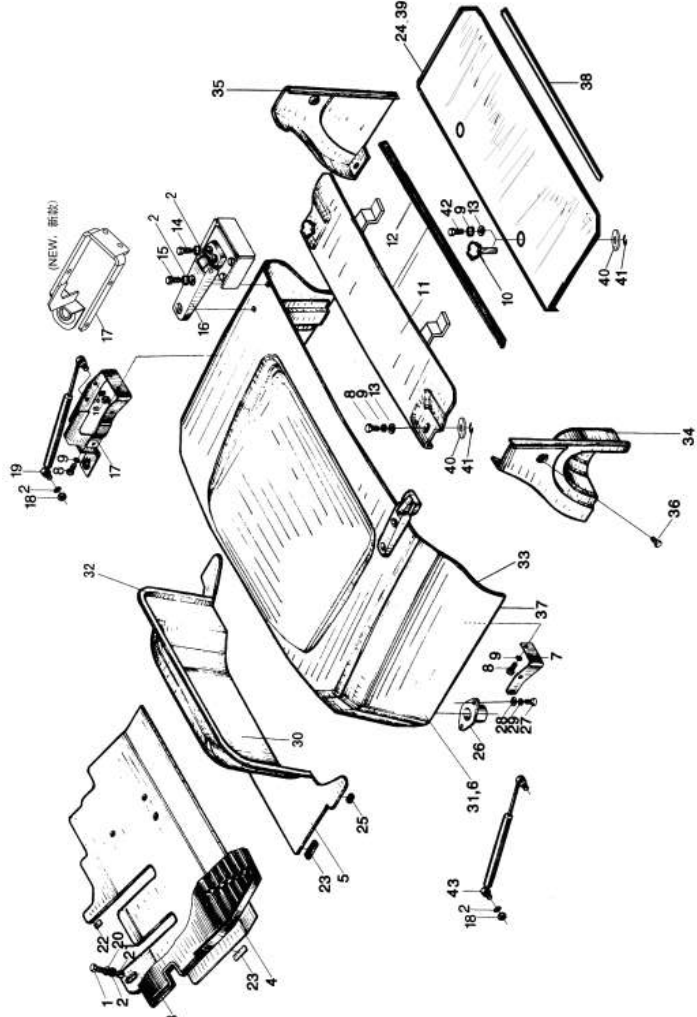


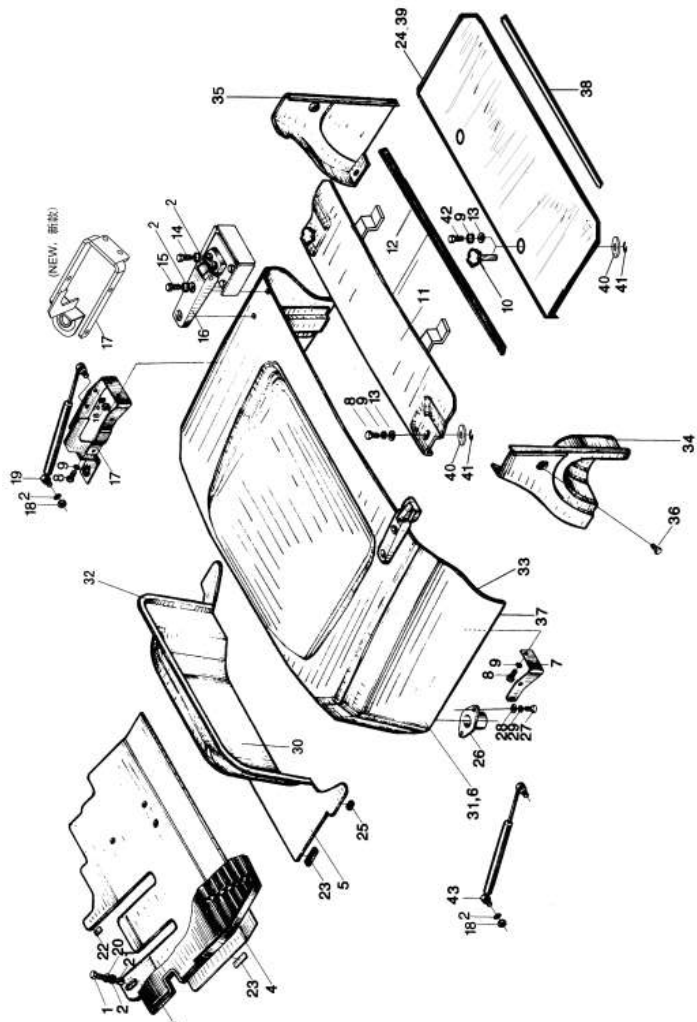
图7 机罩及底板总成(一)
Fig.7 Hood and floor board assy(I)

全部车型
All models of truck

序号 Item	物料码 Part No.	名称 Description	数量 Qty	备注或适用车型 Remarks Or Serial NO.
24	R453-430001-000	后水箱盖板 4.0-4.5t Cover plate,Rear	1	高位排气+LPG High order exhaust and LPG
	R483-430001-000	后水箱盖板 5.0 t Cover plate,Rear	1	
24	R455-430001-000	后水箱盖板 4.0-4.5t Cover plate,Rear	1	非高位排气+LPG Not high order exhaust and LPG
	R485-430001-000	后水箱盖板 5.0 t Cover plate,Rear	1	
24	R450-430010-500	后水箱盖板 4.0-4.5t Cover plate,Rear	1	高位排气+非 LPG High order exhaust and not LPG
	RS450-430001-000	后水箱盖板 5.0 t Cover plate,Rear	1	
24	RS450-430001-000	后水箱盖板 Cover plate,Rear	1	Ⓜ ⓧ Ⓝ 石材车
25	N163-432004-000	橡胶垫块 1 Insulator	2	
26	N163-433400-000	缓冲座 Cab mounting insulator	2	
27	G005783-008016-00	螺栓 M8×16 Bolt M8×16	4	
28	G0097P1-000008-00	垫圈8 Washer 8	4	
29	G000093-000008-00	垫圈8 Washer 8	4	
30	R450-430007-W00	副机罩隔热垫 Hood insulator blanket	1	
31	R450-430008-W00	机罩隔热垫 Hood insulator blanket	1	
32	N163-432007-000	密封条 Seal Strip	1	

图7 机罩及底板总成(一)
Fig.7 Hood and floor board assy(I)

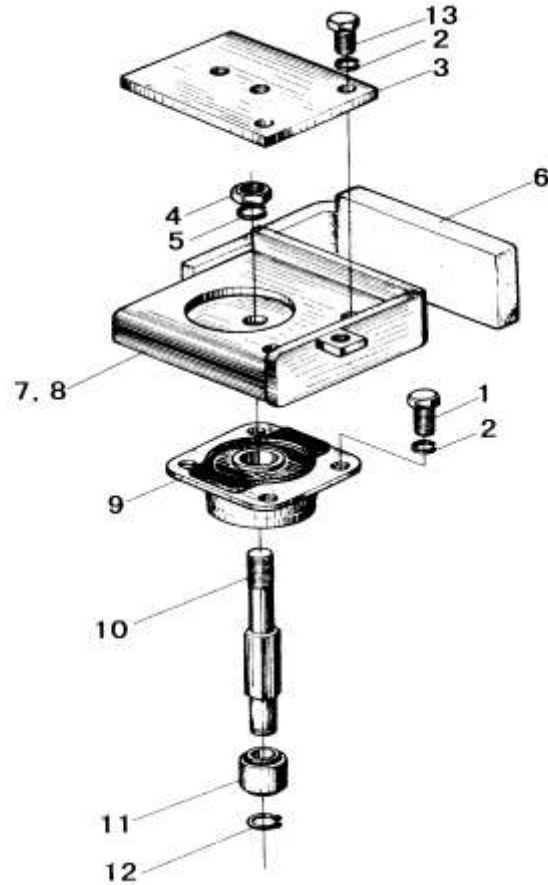
全部车型
All models of truck



序号 Item	物料码 Part No.	名称 Description	数量 Qty	备注或适用车型 Remarks Or Serial NO.
40	R960-430201-800	垫圈 Washer	4	For CE
41	G000896-000006-00	挡圈 6 Snap ring 6	4	For CE
42	R960-430200-800	螺钉组件 Screw	4	For CE
43	QC20-180-650/500-G00	气弹簧 Air spring	1	<2014-04-01
43	QC20-180-650/500-G00	气弹簧 Air spring	1	≥2014-04-01 国内叉车
43	R450-430007-000	左气弹簧 Left Air spring	1	≥2014-04-01 出口叉车 Export forklift

图8 机罩及底板总成(二)
Fig.8 Hood and floor board assy(II)

全部车型
All models of truck



序号 Item	物料码 Part No.	名称 Description	数量 Qty	备注或适用车型 Remarks Or Serial NO.
1	G005783-008020-00	螺栓 M8x20 Bolt M8x20	4	
2	G000093-000008-00	垫圈8 Washer 8	8	
3	N163-436002-000	联接板 Connector plate	2	
4	G006171-000010-04	螺母 M10x1.25 Bolt M10x1.25	2	
5	G000093-000010-00	垫圈10 Washer 10	2	
6	N163-436003-000	缓冲垫 Insulator	2	
7	N163-439100-000	支架 Bracket	1	Not CE
7	N163-439100-800	支架 Bracket	1	For CE
8	N163-436200-000	支架 Bracket	1	Not CE
8	N163-436200-800	支架 Bracket	1	For CE
9	N163-436100-000	减震座 Seat	2	
10	N163-436001-000	杆 Rod	2	
11	N163-437000-000	套 Bush	2	
12	G000896-000008-00	挡圈8 Snap ring 8	2	
13	G005783-008025-00	螺栓 M8x25 Bolt M8x25	4	

图9 锁扣总成
Fig.9 Lock catch assy

全部车型
All models of truck

序号 Item	物料码 Part No.	名称 Description	数量 Qty	备注或适用车型 Remarks Or Serial NO.
1	R960-431100-000	锁扣组件 Lock catch	1	
2	G005783-008016-00	螺栓 M8×16 Bolt M8×16	2	
3	G0097P1-000008-00	垫圈8 Washer 8	4	
4	G000093-000008-00	垫圈8 Washer 8	4	
5	R960-431200-000	锁钩组件 Lock hook	1	
6	SF-1-1020-G00	衬套1020 Bush 1020	1	
7	G0097P1-000010-00	垫圈10 Washer 10	1	
8	G000091-3P2020-00	销 3.2×20 Pin 3.2×20	1	
9	R960-431300-000	支架组件 Bracket	1	
10	G000091-002012-00	销 2×12 Pin 2×12	1	
11	G000882-006018-01	销轴 B6×18 Pin shaft B6×18	1	
12	G0097P1-000006-00	垫圈6 Washer 6	1	
13	R960-431001-001	回位弹簧 Spring	1	R960-431001-000 R960-431001-800
14	G005783-008020-00	螺栓 M8×20 Bolt M8×20	2	
15	R960-431400-000	锁扣拉线总成 Lock catch guy wire assy	1	Not CE

图 9 锁扣总成
Fig.9 Lock catch assy

全部车型
All models of truck

序号 Item	物料码 Part No.	名称 Description	数量 Qty	备注或适用车型 Remarks Or Serial NO.
16	R960-431401-800	拉线挂钩 guy wire pothook	1	For CE
17	R960-431402-800	锁扣拉线 Lock catch guy wire assy	1	For CE

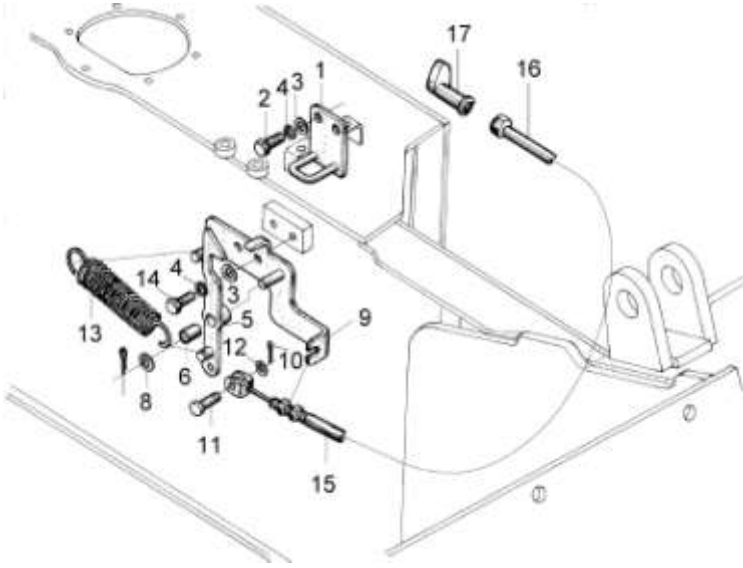


图 10 护顶架
Fig.10 Overhead guard

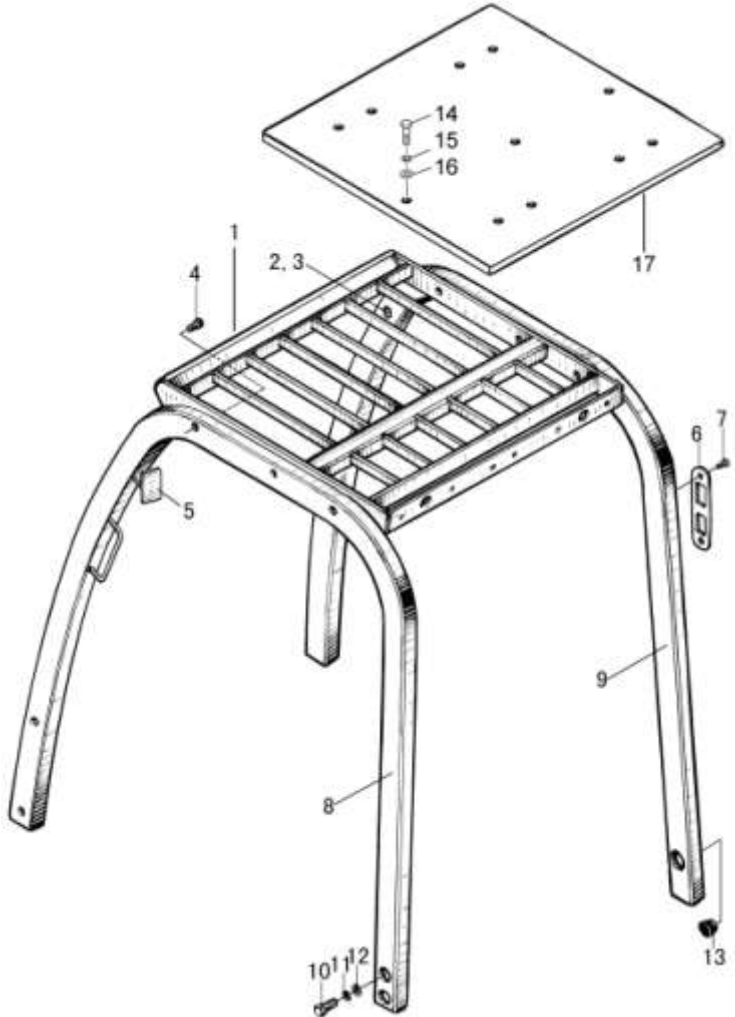
全部车型
All models of truck

序号 Item	物料码 Part No.	名称 Description	数量 Qty	备注或适用车型 Remarks Or Serial NO.
A1	R450-800000-000	护顶架总成 Overhead guard assy	1	除外 Except \textcircled{G} \textcircled{H} \textcircled{K} \textcircled{L} $\textcircled{K1}$ $\textcircled{L1}$ \textcircled{S} \textcircled{T} \textcircled{R} \textcircled{X} \textcircled{Y}
A1	R453-800000-000	护顶架总成 Overhead guard assy	1	\textcircled{G} \textcircled{H} \textcircled{K} \textcircled{L} $\textcircled{K1}$ $\textcircled{L1}$ \textcircled{S} \textcircled{T}
A1	RS450-800000-000	护顶架总成 Overhead guard assy	1	\textcircled{R} \textcircled{X} \textcircled{Y}
1	R450-820000-000	顶架 Overhead guard	1	除外 Except \textcircled{R} \textcircled{X} \textcircled{Y}
1	RS450-820000-000	顶架 Overhead guard	1	\textcircled{R} \textcircled{X} \textcircled{Y}
2	N163-800002-000	胶管 Rubber pipe assy	1	
3	No.0-G00	管箍 Clamp	1	
4	N163-420500-000	螺栓组件 Bolt	8	
5	30060-G00	观后视镜总成 Rear mirror assy	1	
6	R450-800001-000	盖板 Cover plate	1	
7	G000818-005012-00	螺钉 M5×12 Bolt M5×12	3	
8	R450-830000-000	左支撑腿总成 Left pillar assy	1	标配 Standard
8	R450-830000-900	左支撑腿总成 Left pillar assy	1	加高/Heighten 40mm
9	R450-840000-000	右支撑腿总成 Right pillar	1	Standard, 除外 Except \textcircled{G} \textcircled{H} \textcircled{K} \textcircled{L} $\textcircled{K1}$ $\textcircled{L1}$ \textcircled{S} \textcircled{T} \textcircled{R} \textcircled{X} \textcircled{Y}

图 10 护顶架
Fig.10 Overhead guard

全部车型
All models of truck

序号 Item	物料码 Part No.	名称 Description	数量 Qty	备注或适用车型 Remarks Or Serial NO.
9	R450-840000-900	右支撑腿总成 Right pillar	1	加高/Heighten 40mm 除外 Except Ⓒ Ⓓ Ⓔ Ⓕ Ⓖ Ⓗ Ⓢ Ⓣ Ⓡ Ⓧ Ⓨ
9	R453-840000-000	右支撑腿总成 Right pillar	1	标配 Standard Ⓒ Ⓓ Ⓔ Ⓕ Ⓖ Ⓗ Ⓢ Ⓣ
9	R453-840000-900	右支撑腿总成 Right pillar		加高/Heighten 40mm Ⓒ Ⓓ Ⓔ Ⓕ Ⓖ Ⓗ Ⓢ Ⓣ
9	RS450-840000-000	右支撑腿总成 Right pillar	1	Ⓓ Ⓧ Ⓨ
10	N163-800005-000	螺栓M16×1..5×45 Bolt M16×1..5×45	8	
11	G000093-000016-00	垫圈 16 Washer 16	8	
12	N163-800006-000	垫圈 Washer	8	
13	N163-800004-000	橡胶塞 Rubber plug	2	
14	G005783-006012-00	螺栓M6×12 BOLT M6×12	11	选配 Optional
15	G000093-000006-00	垫圈 6 WASHER 6	11	选配 Optional
16	G0097P1-000006-00	垫圈 WASHER	11	选配 Optional
17	R450-820003-501	PVC 顶板 PVC APICAL PLATE	1	选配 Optional



第五部分 操纵系统目录

Part V Control system contents

Ⓐ CPCD40/45-RG24	Ⓑ CPCD50-RXG24	Ⓒ CPC40/45-RG31	Ⓓ CPC50-RXG24
Ⓔ CPCD40/45-RW5	Ⓕ CPCD50-RXW5	Ⓖ CPYD40/45-RW17	Ⓘ CPCD40/45-RW19
Ⓙ CPCD50-RXW19	Ⓚ CPQYD40/45-RW57	Ⓛ CPQYD50-RXW57	Ⓛ ¹ CPYD50-RXW57
Ⓢ CPYD40/45-RW24	Ⓣ CPYD50-RXW24	Ⓞ CPCD40/45-RW35	Ⓟ CPC45-RG34-S
Ⓧ CPC45-RG43-S	Ⓨ CPC45-RG42-S	Ⓟ CPCD40/45-RG42	Ⓡ CPC50-RXG42
		Ⓟ CPCD50-RXW35	Ⓡ CPC50-RXG42

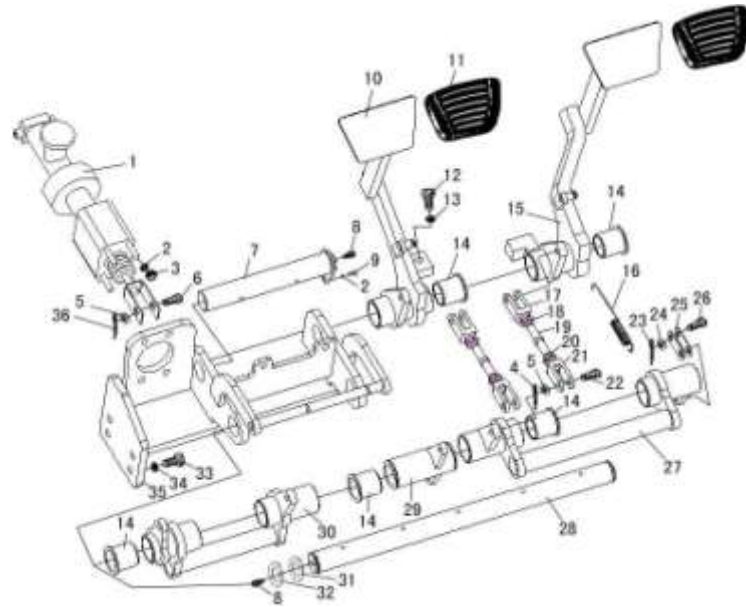
序号 Item	名称 Description	适用车型 Serial No.	页码 Page
图 1 Fig. 1	制动微动踏板总成 (手动换向) Brake and inching pedal assy (Machinery change direction)	全部车型 (除Ⓒ Ⓓ Ⓔ Ⓧ Ⓨ外) All models of truck (Except Ⓒ Ⓓ Ⓔ Ⓧ Ⓨ)	5-1
图 2 Fig. 2	制动微动踏板总成 (电换向) Brake and inching pedal assy (Electrical change direction)	全部车型 (除Ⓒ Ⓓ Ⓔ Ⓧ Ⓨ外) All models of truck (Except Ⓒ Ⓓ Ⓔ Ⓧ Ⓨ)	5-4
图 3 Fig. 3	制动离合踏板总成 Brake and clutch pedal assy	Ⓒ Ⓓ Ⓔ Ⓧ Ⓨ	5-7
图 4 Fig. 4	油门操纵总成 <2014-04-01 Throttle control assy <2014-04-01	Ⓐ Ⓑ Ⓓ Ⓟ Ⓡ Ⓢ Ⓣ	5-10
图 4-1 Fig. 4-1	油门操纵总成 ≥2014-04-01 Throttle control assy ≥2014-04-01	Ⓐ Ⓑ Ⓓ Ⓟ Ⓡ Ⓢ Ⓣ	5-12
图 5 Fig. 5	油门操纵总成 <2014-04-01 Throttle control assy <2014-04-01	Ⓒ Ⓧ	5-15
图 5-1 Fig.5-1	油门操纵总成 ≥2014-04-01 Throttle control assy ≥2014-04-01	Ⓒ Ⓧ	5-17
图 6 Fig. 6	油门操纵总成 <2014-04-01 Throttle control assy <2014-04-01	Ⓔ Ⓕ	5-19
图 6-1 Fig. 6-1	油门操纵总成 ≥2014-04-01 Throttle control assy ≥2014-04-01	Ⓔ Ⓕ	5-21

序号 Item	名称 Description	适用车型 Serial No.	页码 Page
图 7 Fig. 7	油门操纵总成 Throttle control assy <2014-04-01	Ⓒ ⒫	5-24
图 7-1 Fig. 7-1	油门操纵总成 Throttle control assy ≥2014-04-01	Ⓒ ⒫	5-26
图 8 Fig. 8	油门操纵总成 Throttle control assy	Ⓒ Ⓓ	5-28
图 9 Fig. 9	油门操纵总成 Throttle control assy <2014-04-01	Ⓘ ⓵	5-30
图 9-1 Fig. 9-1	油门操纵总成 Throttle control assy ≥2014-04-01	Ⓘ ⓵	5-32
图 10 Fig. 10	油门操纵总成 Throttle control assy <2014-04-01	Ⓡ	5-34
图 10-1 Fig. 10-1	油门操纵总成 Throttle control assy ≥2014-04-01	Ⓡ	5-36
图 11 Fig. 11	熄火操纵总成 Choke control assy	Ⓐ Ⓑ Ⓓ Ⓛ Ⓥ Ⓦ Ⓨ	5-38
图 12 Fig. 12	熄火操纵总成 Choke control assy	Ⓡ	5-39
图 13 Fig. 13	换挡操纵总成 Shift control assy <2014-04-01	全部车型 (除Ⓒ Ⓓ Ⓡ Ⓦ Ⓧ Ⓨ外) All models of truck (Except Ⓒ Ⓓ Ⓡ Ⓦ Ⓧ Ⓨ)	5-40
图 14 Fig. 14	手制动操纵总成 Hand brake control assy	全部车型 All models of truck	5-42
图 15 Fig. 15	制动油管总成 Brake oil pipe assy	全部车型 (除Ⓒ Ⓓ Ⓡ Ⓦ Ⓧ Ⓨ外) All models of truck (Except Ⓒ Ⓓ Ⓡ Ⓦ Ⓧ Ⓨ)	5-43
图 16 Fig. 16	制动油管总成 Brake oil pipe assy	Ⓒ Ⓓ Ⓡ Ⓦ Ⓧ Ⓨ	5-44

图 1 制动微动踏板总成(手动换向)
Fig.1 Brake and inching pedal assy
(Machinery change direction)

全部车型 (除ⓐⓑⓒⓓⓔⓕⓖⓗⓘⓙ外)
All models of truck (Exceptⓐⓑⓒⓓⓔⓕⓖⓗⓘⓙ)

<2014-04-01

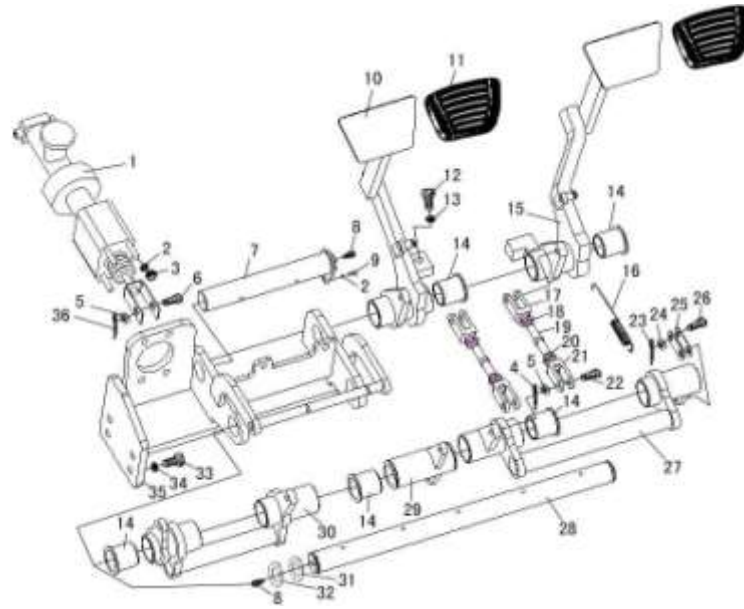


序号 Item	物料码 Part No.	名称 Description	数量 Qty	备注或适用车型 Remarks or Serial No.
1	40DH-512000	液压助力制动总成 Hydraulic booster brake assy	1	
2	G000093-000008-00	垫圈 8 Washer 8	5	
3	G006170-000008-00	螺母 M8 Nut M8	6	
4	G000091-3P2014-00	销 3.2×14 Pin 3.2×14	4	
5	G0097P1-000008-00	垫圈 8 Washer 8	5	
6	G000882-008028-01	销轴 B8×28 Pin B8×28	1	
7	R450-510200-000	销轴 Pin	1	
8	Q701B90-NPT1/16-G00	油杯 Grease cup assy	3	
9	G005783-008016-00	螺栓 M8×16 Bolt M8×16	1	
10	R450-516000-000	微动踏板 Inching pedal	1	
11	N163-512001-000	踏板垫 Pedal pad	2	
12	N163-510002-000	螺栓 Bolt	1	
13	G006170-000010-00	螺母 M10 Nut	1	
14	N163-514001-000	套 Bushing	14	
15	R450-515000-000	制动踏板 Brake pedal	1	

图1 制动微动踏板总成(手动换向)
Fig.1 Brake and inching pedal assy
(Machinery change direction)

全部车型 (除© ® ㉔ ㉕ ㉖ ㉗ ㉘ ㉙ 外)
All models of truck (Except © ® ㉔ ㉕ ㉖ ㉗ ㉘ ㉙)

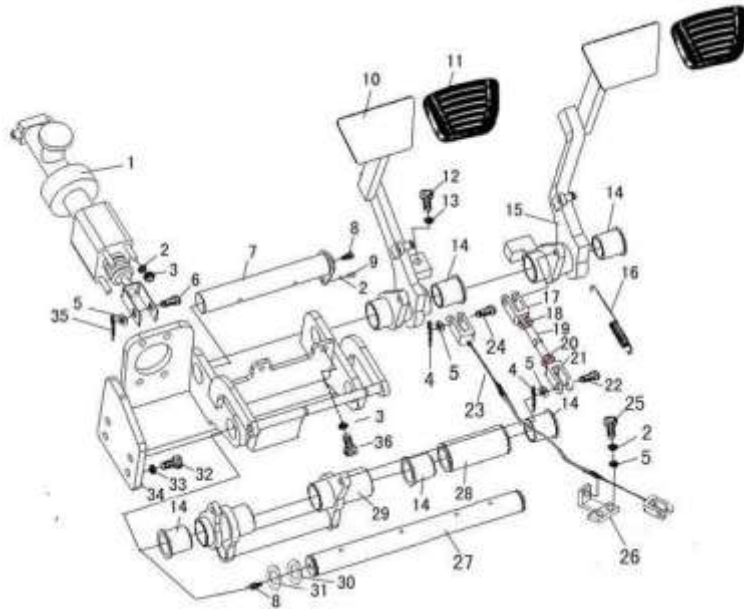
<2014-04-01



序号 Item	物料码 Part No.	名称 Description	数量 Qty	备注或适用车型 Remarks or Serial No.
16	R450-510003-000	弹簧 Spring	2	≤2008-03
16	N163-510003-000	弹簧 Spring	2	≥2008-03
17	G161-510001-000	下连杆叉头 Yoke	2	
18	G006172-100010-00	螺母 M10-左旋 Nut	2	
19	R450-510101-000	杆 Rod	2	
20	G006172-000010-00	螺母 M10 Nut	2	
21	G161-510003-000	上连杆叉头 Yoke	2	
22	G00882-008030-00	销轴 B8×30 Pin B8×30	4	
23	G000091-002012-00	销 2×12 Pin	4	
24	G0097P1-000006-00	垫圈6 Washer	4	
25	R450-510002-000	连接片 Connecting sheet	4	
26	G000882-006022-01	销轴B6×22 Pin	4	
27	R450-513000-000	微动连杆 Connecting set	1	
28	R450-510001-000	轴 Shaft	1	
29	R450-514000-000	换档连杆 Connecting set	1	

图2 制动微动踏板总成（电换向）
 Fig2 Brake and inching pedal assy
 (Electrical change direction)

全部车型 (除© ® ㉔ ㉕ ㉖ ㉗ ㉘ ㉙ 外)
 All models of truck (Except © ® ㉔ ㉕ ㉖ ㉗ ㉘ ㉙)

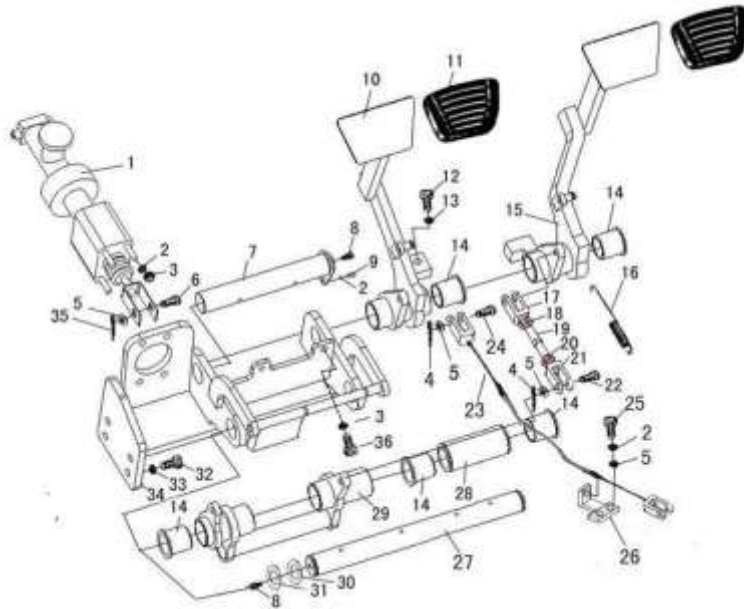


序号 Item	物料码 Part No.	名称 Description	数量 Qty	备注或适用车型 Remarks or Serial No.
1	40DH-512000	液压助力制动总成 Hydraulic booster brake assy	1	
2	G000093-000008-00	垫圈 8 Washer 8	7	
3	G006170-000008-00	螺母 M8 Nut M8	6	
4	G000091-3P2014-00	销 3.2×14 Pin 3.2×14	4	
5	G0097P1-000008-00	垫圈 8 Washer 8	7	
6	G000882-008028-01	销轴 B8×28 Pin B8×28	1	
7	R450-510200-000	销轴 Pin	1	
8	Q701B90-NPT1/16-G00	油杯 Grease cup assy	3	
9	G005783-008016-00	螺栓 M8×16 Bolt M8×16	1	
10	R450-516000-000	微动踏板 Inching pedal	1	
11	N163-512001-000	踏板垫 Pedal pad	2	
12	N163-510002-000	螺栓 Bolt	1	
13	G006170-000010-00	螺母 M10 Nut	1	
14	N163-514001-000	套 Bushing	10	
15	R450-515000-000	制动踏板 Brake pedal	1	

图2 制动微动踏板总成（电换向）

Fig 2 Brake and inching pedal assy
(Electrical change direction)

全部车型 (除© ® ㉔ ㉕ ㉖ ㉗ ㉘ ㉙ 外)
All models of truck (Except © ® ㉔ ㉕ ㉖ ㉗ ㉘ ㉙)

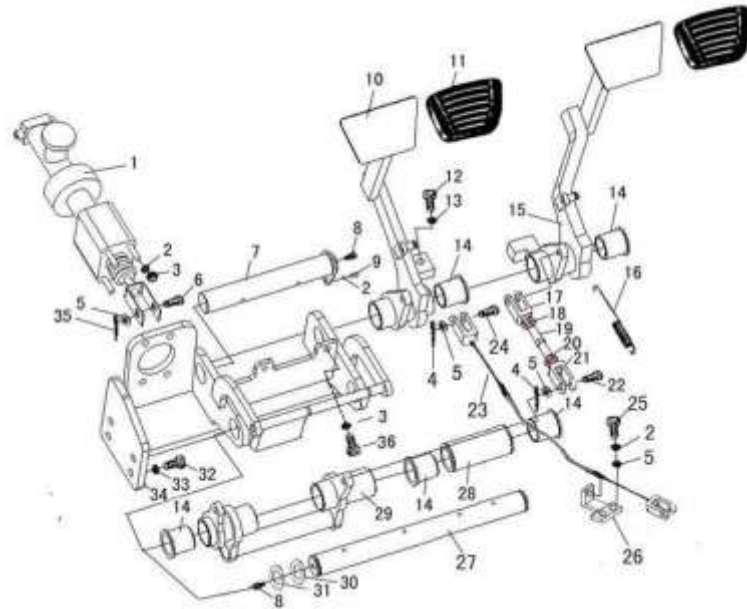


序号 Item	物料码 Part No.	名称 Description	数量 Qty	备注或适用车型 Remarks or Serial No.
16	R450-510003-000	弹簧 Spring	2	<2014-04-01
16	N163-510003-000	弹簧 Spring	2	≥2014-04-01
17	G160-510001-000	下连杆叉头 Yoke	1	
18	G006172-100010-00	螺母 M10-左旋 Nut	1	
19	R450-510101-000	杆 Rod	1	
20	G006172-000010-00	螺母 M10 Nut	1	
21	G160-510003-000	上连杆叉头 Yoke	1	
22	G00882-008030-00	销轴 B8×30 Pin B8×30	2	
23	R450-517000-001	微动软轴 Soft shaft	1	R454-511000-500
24	G000882-008025-01	销轴 B8×25 Pin	1	
25	G005783-008025-00	L螺栓M8×25 Bolt	2	
26	R450-519000-001	支架 Stent	1	R454-513000-500
27	R450-510005-001	轴 Shaft	1	R454-510001-500
28	R450-510004-001	隔套 Bushing	1	R454-510002-500
29	R450-511000-000	制动连杆 Connecting set	1	

图2 制动微动踏板总成（电换向）

Fig 2 Brake and inching pedal assy
(Electrical change direction)

全部车型 (除© ® ® ® ® ® 外)
All models of truck (Except © ® ® ® ® ®)



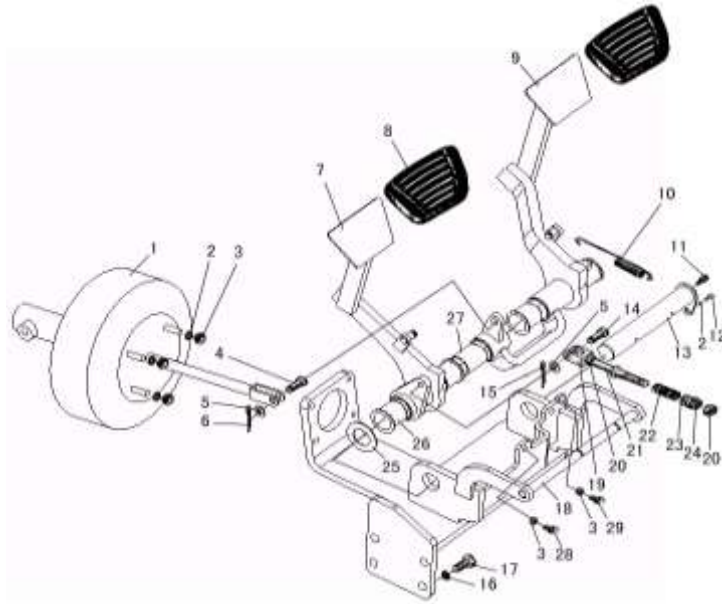
序号 Item	物料码 Part No.	名称 Description	数量 Qty	备注或适用车型 Remarks or Serial No.
30	N163-510004-000	垫片 Gasket	2	
31	G0894P1-000028-00	挡圈28 Snap ring	2	
32	G005786-012025-00	螺栓M12×1.25×25 Bolt	4	
33	G000093-000012-00	垫圈12 Washer	4	
34	R450-518000-001	底座 Bracket	1	R454-512000-500
35	N163-513002-000	锁销 1.6B Pin 1.6B	1	
36	G005783-008035-00	螺栓M8×35 Bolt M8×35	2	

图3 制动离合踏板总成
Fig.3 Brake and clutch pedal assy

© CPC40/45-RG31

Ⓓ CPC50-RXG24

Ⓜ CPC45-RG34-S



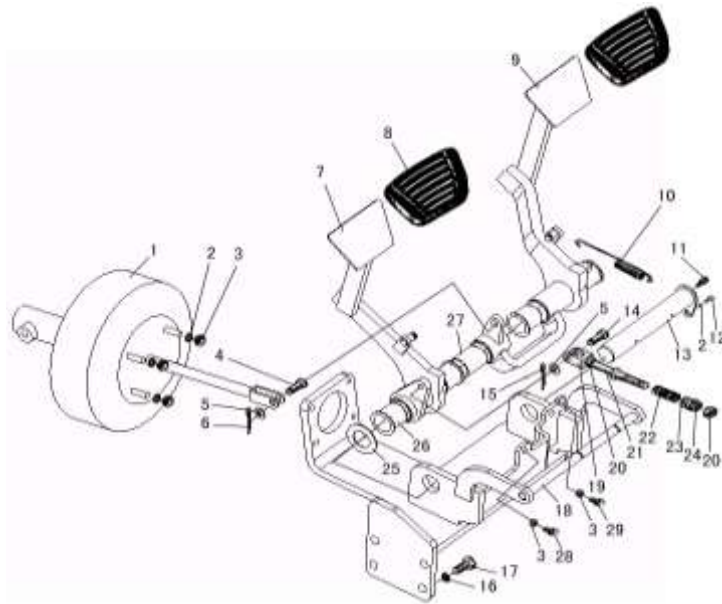
序号 Item	物料码 Part No.	名称 Description	数量 Qty	备注或适用车型 Remarks or Serial No.
1	R441-501000-000	真空助力器主缸总 Vacuum booster and cylinder assy	1	<2014-04-01
1	A450-501000-000	真空助力器主缸总 Vacuum booster and cylinder assy	1	≥2014-04-01
2	G000093-000008-00	垫圈8 Washer	5	
3	G006170-000008-00	螺母M8 Nut	6	
4	G000882-010024-01	销轴B10×24 Pin	1	
5	G0097P1-000010-00	垫圈10 Washer	2	
6	G000091-3P2014-00	销3.2×14 Pin	1	<2014-04-01
6	R441-500002-000	锁销1.8B Pin	1	≥2014-04-01
7	R441-513000-000	离合踏板 Clutch pedal	1	© Ⓓ
7	RS450-531000-000	离合踏板 Clutch pedal	1	Ⓜ
8	N163-512001-000	踏板垫 Pedal pad	2	
9	R441-512000-000	制动踏板 Brake pedal	1	
10	N163-510003-000	弹簧 Spring	2	≤2008-03-05
10	R450-510003-000	弹簧 Spring	2	≥2008-03-06
11	Q701B90-NPT1/16-G00	油杯 Grease cup assy	1	

图3 制动离合踏板总成
Fig.3 Brake and clutch pedal assy

© CPC40/45-RG31

Ⓓ CPC50-RXG24

Ⓔ CPC45-RG34-S



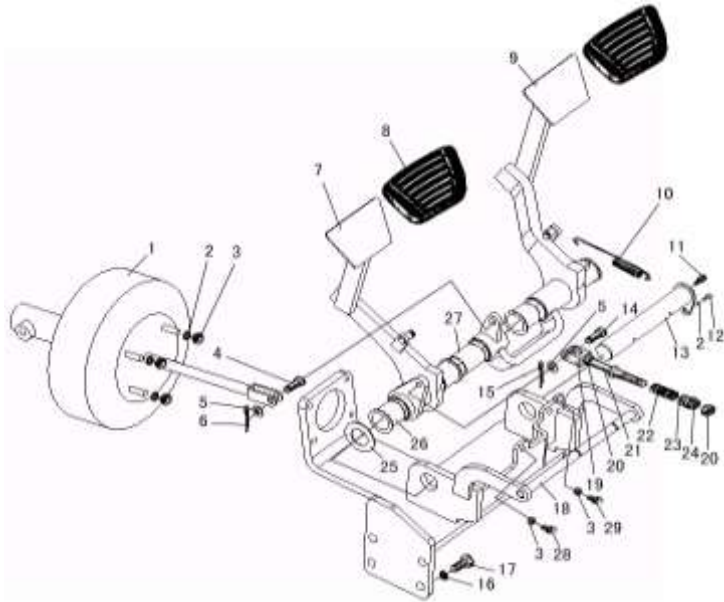
序号 Item	物料码 Part No.	名称 Description	数量 Qty	备注或适用车型 Remarks or Serial No.
12	G005783-008016-00	螺栓M8×16 Bolt	1	
13	R441-510200-000	销轴 Shaft	1	
14	G000882-010032-01	销轴B10×32 Pin	1	
15	G000091-3P2025-00	销3.2×25 Pin	1	
16	G000093-000012-00	垫圈12 Washer	4	
17	G005786-012025-00	螺栓M12×1.25×25 Bolt	4	
18	R441-511000-000	底座 Bracket	1	
19	N150-510001-000	叉头 Yoke	1	
20	G006171-000010-00	螺母M10×1 Nut	2	
21	R441-510100-000	拉杆 Rod	1	
22	N150-511002-000	压缩弹簧 Spring	1	
23	G000093-000010-00	垫圈10 Washer	1	
24	N150-511001-000	球形螺母 Spherical nut	1	
25	N163-510001-000	垫片 Gasket	1	
26	R441-510001-000	套 Bushing	1	

图3 制动离合踏板总成
Fig.3 Brake and clutch pedal assy

© CPC40/45-RG31

Ⓓ CPC50-RXG24

Ⓔ CPC45-RG34-S



序号 Item	物料码 Part No.	名称 Description	数量 Qty	备注或适用车型 Remarks or Serial No.
27	N163-514001-000	套 Bushing	4	
28	G005783-008060-00	螺栓M8×60 Bolt	1	
29	G005783-008040-00	螺栓M8×40 Bolt	1	

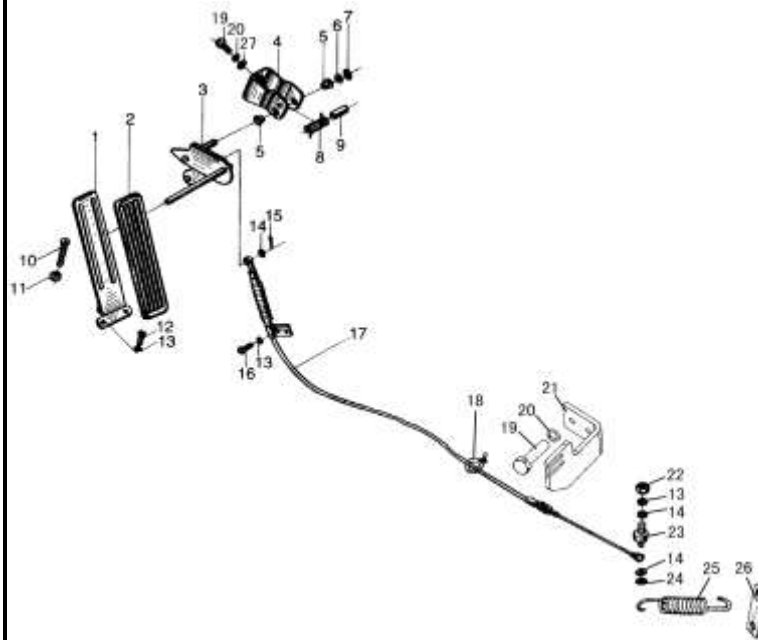
图 4 油门操纵总成
Fig.4 Throttle control assy

Ⓐ CPCD40/45-RG24
ⓐ CPCD40/45-RG42

Ⓑ CPCD50-RXG24
ⓑ CPCD50-RXG42

Ⓒ CPC50-RXG24
ⓓ CPC50-RXG42
ⓔ CPC45-RG42-S

<2014-04-01



序号 Item	物料码 Part No.	名称 Description	数量 Qty	备注或适用车型 Remarks or Serial No.
1	R450-523000-000	踏板总成 Pedal assy	1	
2	N163-520002-000	踏板垫 Pedal pad	1	
3	R450-521200-000	摇杆总成 Rocker rod assy	1	
4	R450-521100-000	支架 Bracket	1	
5	N163-521003-000	衬套 Bushing	2	
6	N163-521004-000	垫圈 Washer	1	
7	G0894P1-000008-00	挡圈 Snap ring	1	
8	N163-521001-000	扭簧 Tension spring	1	
9	N163-521002-000	套 Bushing	1	
10	N163-520001-000	限位螺钉 Screw	1	
11	G006170-000008-00	螺母M8 Nut	1	
12	G002672-006016-00	螺钉M6x16 Screw	2	
13	G000093-000006-00	垫圈6 Washer	5	
14	G0097P1-000006-00	垫圈6 Washer	3	
15	G000091-1P2020-00	销1.2x20 Pin	1	

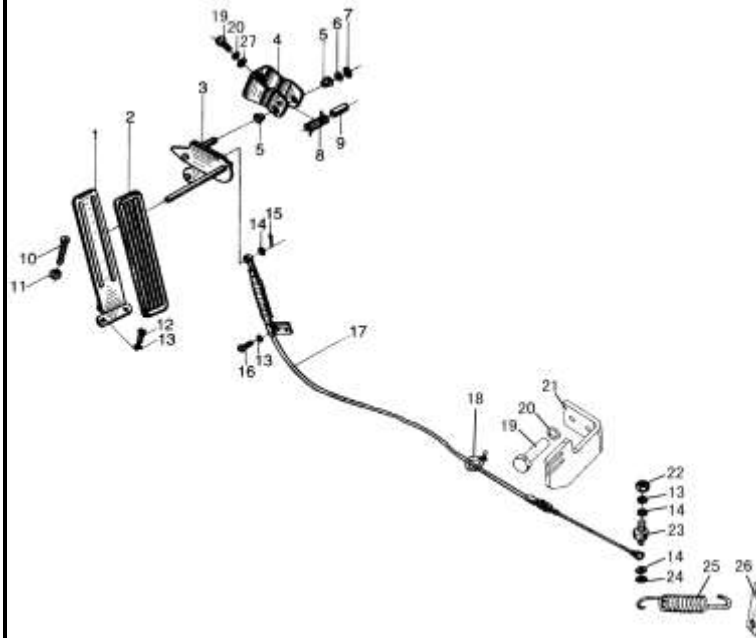
图 4 油门操纵总成
Fig.4 Throttle control assy

Ⓐ CPCD40/45-RG24
Ⓤ CPCD40/45-RG42

Ⓑ CPCD50-RXG24
Ⓥ CPCD50-RXG42

Ⓓ CPC50-RXG24
Ⓦ CPC50-RXG42
Ⓨ CPC45-RG42-S

<2014-04-01



序号 Item	物料码 Part No.	名称 Description	数量 Qty	备注或适用车型 Remarks or Serial No.
16	G005783-006012-00	螺栓M6×12 Bolt	2	
17	R450-522000-000	油门拉线总成 Throttle line	1	Ⓐ Ⓑ Ⓤ Ⓥ
17	R441-521000-000	油门拉线总成 Throttle line	1	Ⓓ Ⓦ Ⓨ
18	PKD-100-G00	捆线带 Wire	1	
19	G005783-008016-00	螺栓M8×16 Bolt	2	
20	G000093-000008-00	垫圈8 Washer	2	
21	R450-520100-000	油门支架 Bracket	1	
22	G006170-000008-00	螺母M6 Nut	1	
23	50DHA-610002	拉线挂销 Pin	1	
24	G000896-000004-00	挡圈4 Snap ring	1	
25	50CDA-620007	拉簧 Spring	1	
26	50CDA-620008	弹簧勾座 Bracket	1	
27	G0097P1-000008-00	垫圈8 Washer	2	

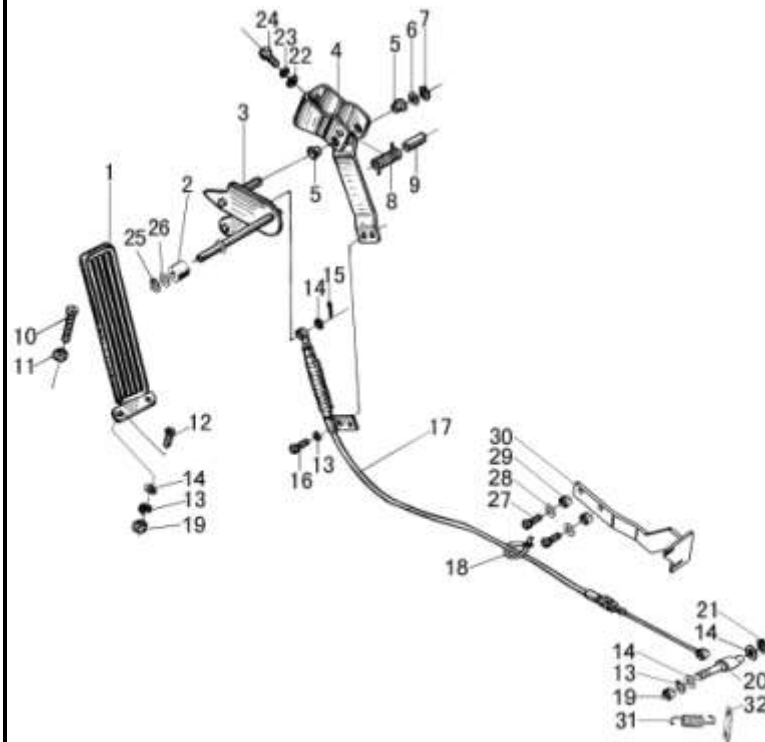
图 4-1 油门操纵总成
Fig.4-1 Throttle control assy

Ⓐ CPCD40/45-RG24
ⓐ CPCD40/45-RG42

Ⓑ CPCD50-RXG24
ⓑ CPCD50-RXG42

Ⓒ CPC50-RXG24
ⓓ CPC50-RXG42
ⓔ CPC45-RG42-S

≥2014-04-01



序号 Item	物料码 Part No.	名称 Description	数量 Qty	备注或适用车型 Remarks or Serial No.
1	A300-522000-000	油门踏板 Gas pedal	1	
2	30DH-530002	滚轮 Roller	1	
3	R450-524100-001	摇杆总成 Rocker rod assy	1	
4	R450-521100-000	支架 Bracket	1	
5	N163-521003-000	衬套 Bushing	2	
6	N163-521004-000	垫圈 Washer	1	
7	G0894P1-000008-00	挡圈 Snap ring	1	
8	N163-521001-000	扭簧 Tension spring	1	
9	N163-521002-000	套 Bushing	1	
10	R450-520002-000	限位螺钉 Screw	1	
11	G006170-000008-00	螺母M8 Nut	1	
12	G005783-006020-00	螺栓M6×20 Bolt M6×20	3	
13	G000093-000006-00	垫圈6 Washer	6	
14	G0097P1-000006-00	垫圈6 Washer	6	
15	XF250-520006-G00	锁销 6 Pin 6	1	

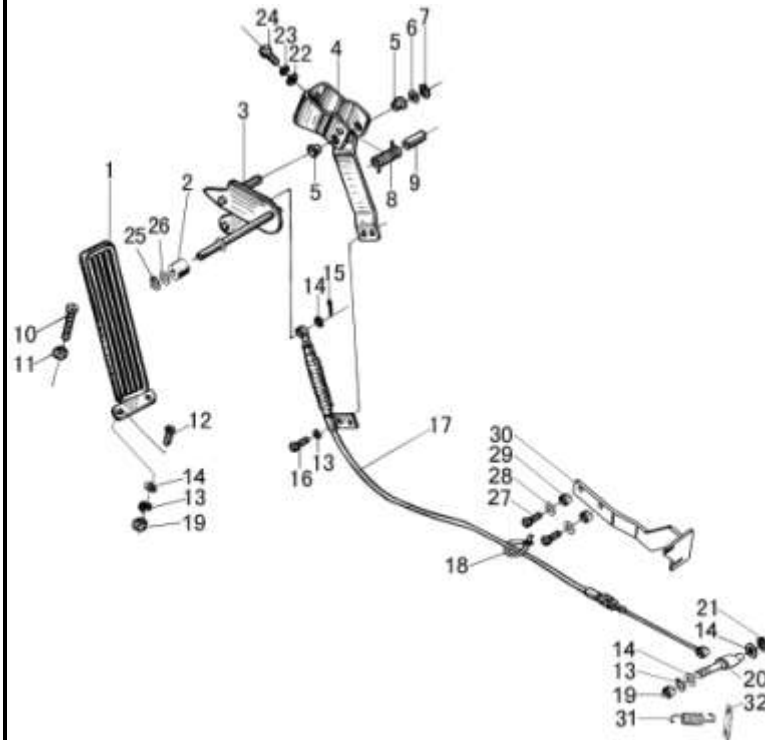
图 4-1 油门操纵总成
Fig.4-1 Throttle control assy

Ⓐ CPCD40/45-RG24
Ⓤ CPCD40/45-RG42

Ⓑ CPCD50-RXG24
Ⓥ CPCD50-RXG42

Ⓓ CPC50-RXG24
Ⓦ CPC50-RXG42
Ⓨ CPC45-RG42-S

≥2014-04-01



序号 Item	物料码 Part No.	名称 Description	数量 Qty	备注或适用车型 Remarks or Serial No.
16	G005783-006012-00	螺栓M6×12 Bolt	2	
17	R450-522000-000	油门拉线总成 Throttle line	1	Ⓐ Ⓑ Ⓤ Ⓥ
17	R441-521000-000	油门拉线总成 Throttle line	1	Ⓓ Ⓦ Ⓨ
18	PKD-100-G00	捆线带 Wire	1	
19	G006170-000006-00	螺母M6 Nut	4	
20	50DHA-610002	拉线挂销 Pin	1	
21	G000896-000004-00	挡圈4 Snap ring	1	
22	G0097P1-000008-00	垫圈8 Washer 8	2	
23	G000093-000008-00	垫圈8 Washer 8	2	
24	G005783-008016-00	螺栓M8×16 Bolt M8×16	2	
25	G00894P1-000010-00	挡圈 10 Snap ring 10	1	
26	G000848-000010-00	垫圈 10 Washer 10	1	
27	G005783-012035-00	螺栓M12×35 Bolt M12×35		
28	G000093-000012-00	垫圈12 Washer 12		
29	G0097P1-000012-00	垫圈12 Washer 12		

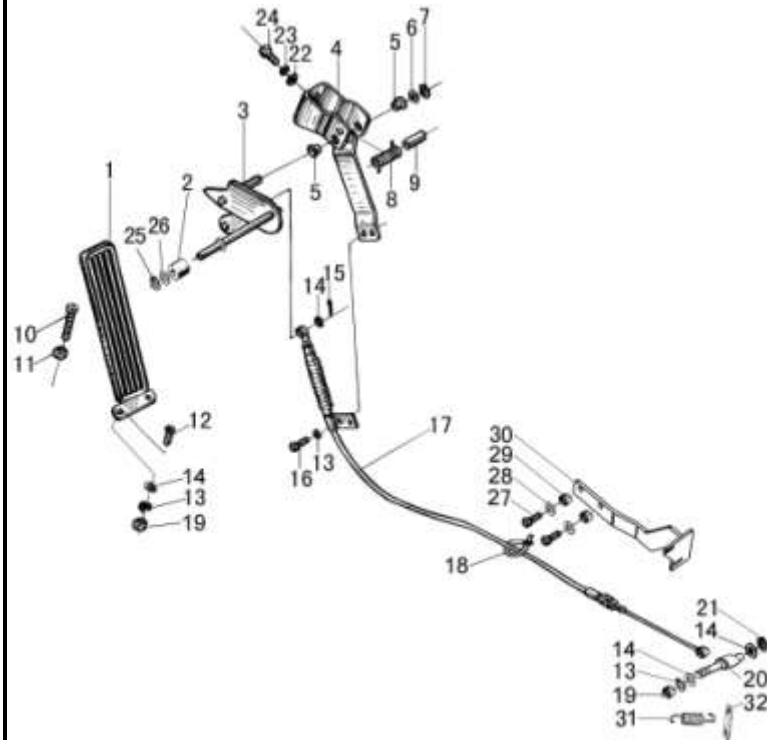
图 4-1 油门操纵总成
Fig.4-1 Throttle control assy

Ⓐ CPCD40/45-RG24
ⓐ CPCD40/45-RG42

Ⓑ CPCD50-RXG24
ⓑ CPCD50-RXG42

Ⓒ CPC50-RXG24
ⓓ CPC50-RXG42
Ⓨ CPC45-RG42-S

≥2014-04-01



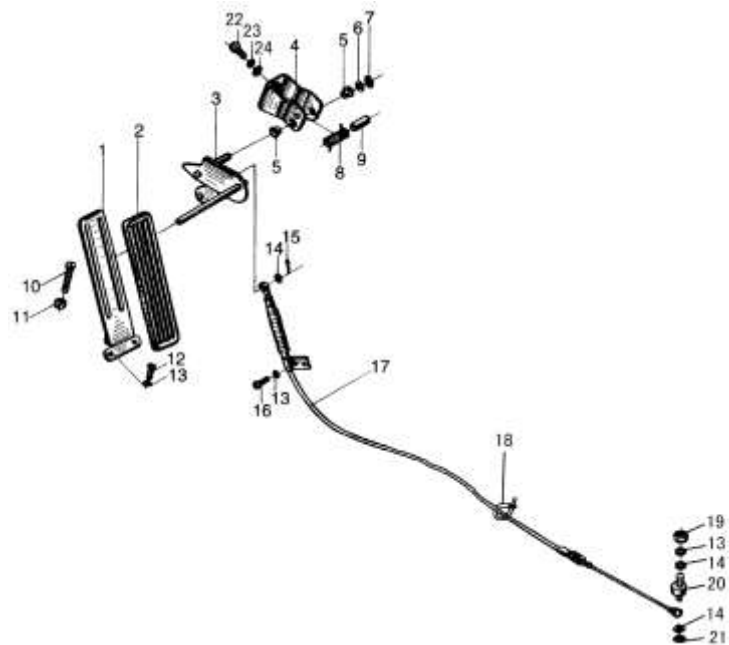
序号 Item	物料码 Part No.	名称 Description	数量 Qty	备注或适用车型 Remarks or Serial No.
30	R450-520100-001	油门支架 Bracket	1	
31	50CDA-620007	拉簧 Spring	1	
32	50CDA-620008	弹簧勾座 Bracket	1	

图5 油门操纵总成
Fig.5 Throttle control assy

© CPC40/45-RG31

⊗ CPC45-RG43-S

<2014-04-01



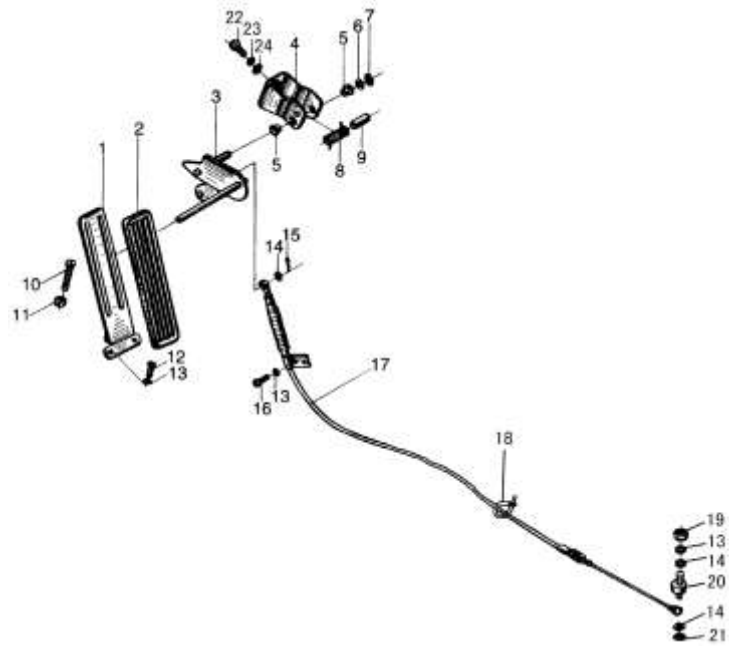
序号 Item	物料码 Part No.	名称 Description	数量 Qty	备注或适用车型 Remarks or Serial No.
1	R450-523000-000	踏板总成 Pedal assy	1	
2	N163-520002-000	踏板垫 Pedal pad	1	
3	R450-521200-000	摇杆总成 Rocker rod assy	1	
4	R450-521100-000	支架 Bracket	1	
5	N163-521003-000	衬套 Bushing	2	
6	N163-521004-000	垫圈 Washer	1	
7	G0894P1-000008-00	挡圈8 Snap ring	1	
8	N163-521001-000	扭簧 Tension spring	1	
9	N163-521002-000	套 Bushing	1	
10	N163-520001-000	限位螺钉 Screw	1	
11	G006170-000008-00	螺母M8 Nut	1	
12	G002672-006016-00	螺钉M6x16 Screw	2	
13	G000093-000006-00	垫圈6 Washer	5	
14	G0097P1-000006-00	垫圈6 Washer	3	
15	G000091-1P2020-00	销1.2x20 Pin	1	

图5 油门操纵总成
Fig.5 Throttle control assy

© CPC40/45-RG31

⊗ CPC45-RG43-S

<2014-04-01



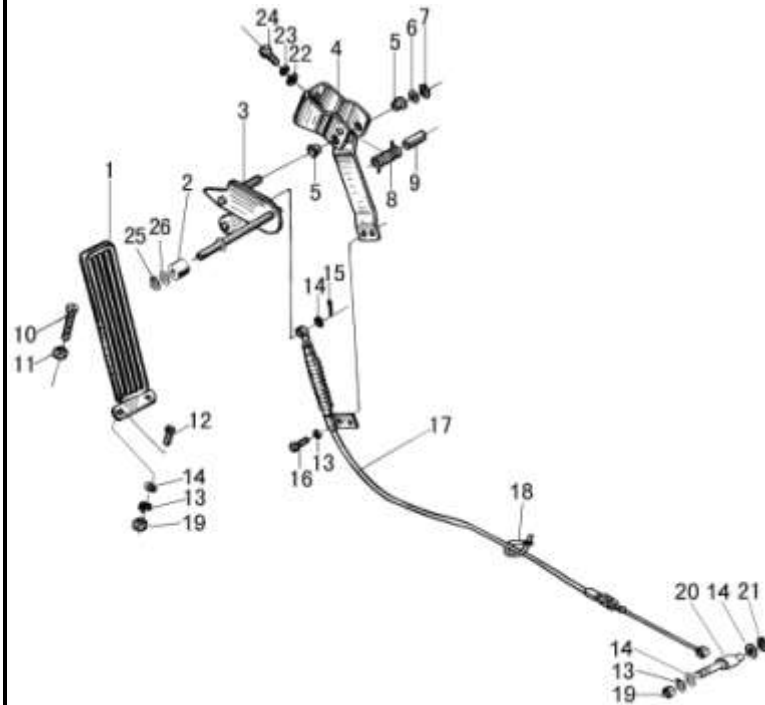
序号 Item	物料码 Part No.	名称 Description	数量 Qty	备注或适用车型 Remarks or Serial No.
16	G005783-006012-00	螺栓M6×12 Bolt	2	
17	R441-521000-000	油门拉线总成 Throttle line	1	
18	PKD-100-G00	捆线带 Wire	1	
19	G006170-000006-00	螺母M6 Nut	1	
20	50DHA-610002	拉线挂销 Pin	1	
21	G000896-000004-00	挡圈4 Snap ring	1	
22	G005783-008016-00	螺栓M8×16 Bolt	4	
23	G000093-000008-00	垫圈8 Washer	4	
24	G0097P1-000008-00	垫圈8 Washer	2	

图 5-1 油门操纵总成
Fig.5-1 Throttle control assy

© CPC40/45-RG31

⊗ CPC45-RG43-S

≥2014-04-01



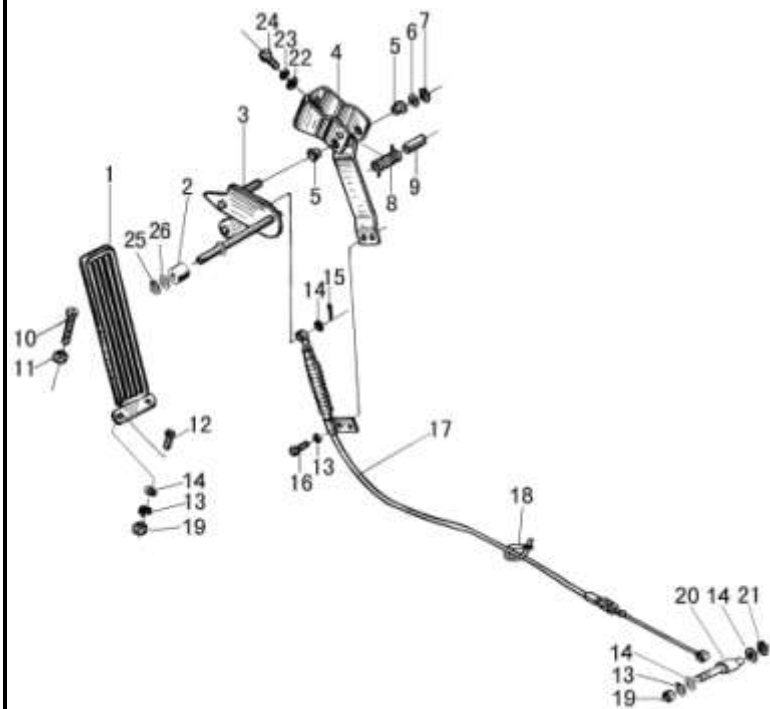
序号 Item	物料码 Part No.	名称 Description	数量 Qty	备注或适用车型 Remarks or Serial No.
1	A300-522000-000	油门踏板 Gas pedal	1	
2	30DH-530002	滚轮 Roller	1	
3	R450-524100-001	摇杆总成 Rocker rod assy	1	
4	R450-521100-000	支架 Bracket	1	
5	N163-521003-000	衬套 Bushing	2	
6	N163-521004-000	垫圈 Washer	1	
7	G0894P1-000008-00	挡圈 Snap ring	1	
8	N163-521001-000	扭簧 Tension spring	1	
9	N163-521002-000	套 Bushing	1	
10	R450-520002-000	限位螺钉 Screw	1	
11	G006170-000008-00	螺母M8 Nut	1	
12	G005783-006020-00	螺栓M6×20 Bolt M6×20	3	
13	G000093-000006-00	垫圈6 Washer	6	
14	G0097P1-000006-00	垫圈6 Washer	6	
15	XF250-520006-G00	锁销6 Pin	1	

图 5-1 油门操纵总成
Fig.5-1 Throttle control assy

© CPC40/45-RG31

⊗ CPC45-RG43-S

≥2014-04-01



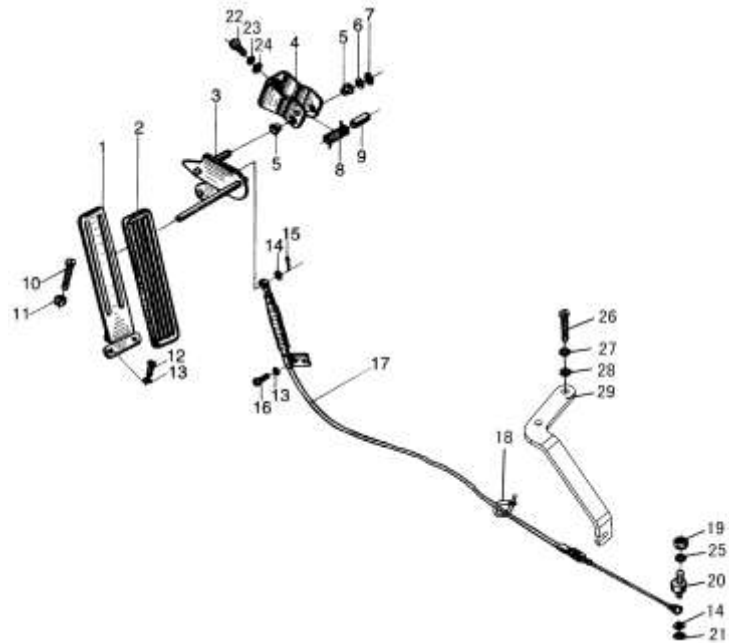
序号 Item	物料码 Part No.	名称 Description	数量 Qty	备注或适用车型 Remarks or Serial No.
16	G005783-006012-00	螺栓M6×12 Bolt	2	
17	R441-521000-000	油门拉线总成 Throttle line	1	
18	PKD-100-G00	捆线带 Wire	1	
19	G006170-000006-00	螺母M6 Nut	4	
20	50DHA-610002	拉线挂销 Pin	1	
21	G000896-000004-00	挡圈4 Snap ring	1	
22	G005783-008016-00	螺栓M8×16 Bolt	2	
23	G000093-000008-00	垫圈8 Washer	2	
24	G0097P1-000008-00	垫圈8 Washer	2	
25	G00894P1-000010-00	挡圈 10 Snap ring 10	1	
26	G000848-000010-00	垫圈 10 Washer 10	1	

图6 油门操纵总成
Fig.6 Throttle control assy

Ⓔ CPCD40/45-RW5

Ⓕ CPCD50-RXW5

<2014-04-01



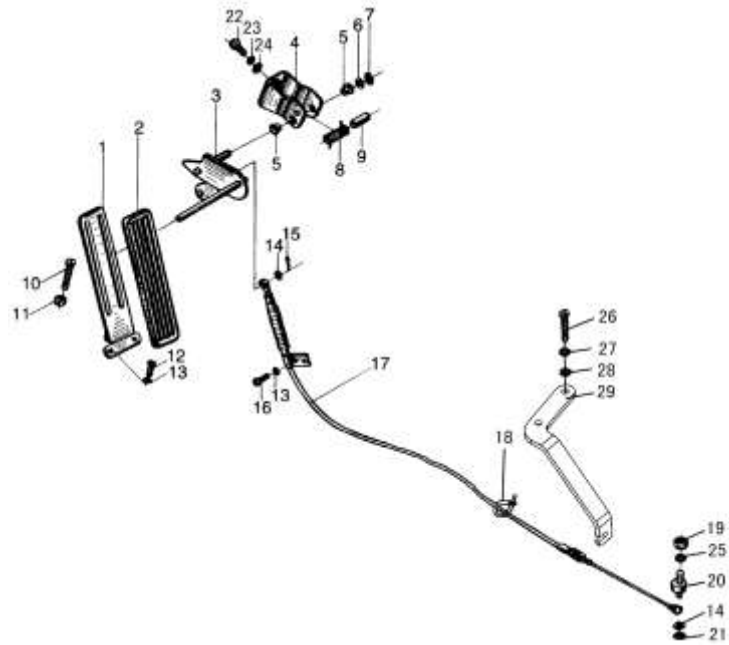
序号 Item	物料码 Part No.	名称 Description	数量 Qty	备注或适用车型 Remarks or Serial No.
1	R450-523000-000	踏板总成 Pedal assy	1	
2	N163-520002-000	踏板垫 Pedal pad	1	
3	R450-521200-000	摇杆总成 Rocker rod assy	1	
4	R450-521100-000	支架 Bracket	1	
5	N163-521003-000	衬套 Bushing	2	
6	N163-521004-000	垫圈 Washer	1	
7	G0894P1-000008-00	挡圈 Snap ring	1	
8	N163-521001-000	扭簧 Tension spring	1	
9	N163-521002-000	套 Bushing	1	
10	15PH-500001	限位螺栓 Bolt	1	
11	G006170-000008-00	螺母M8 Nut	1	
12	G002672-006016-00	螺钉M6x16 Screw	2	
13	G000093-000006-00	垫圈6 Washer	4	
14	G0097P1-000006-00	垫圈6 Washer	2	
15	G000091-1P2020-00	销1.2x20 Pin	1	

图6 油门操纵总成
Fig.6 Throttle control assy

Ⓔ CPCD40/45-RW5

Ⓕ CPCD50-RXW5

<2014-04-01



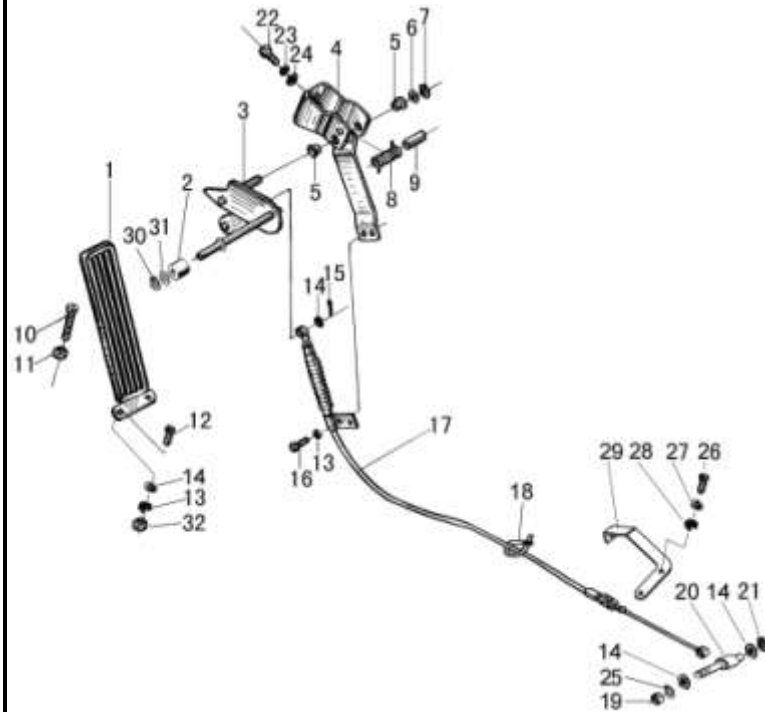
序号 Item	物料码 Part No.	名称 Description	数量 Qty	备注或适用车型 Remarks or Serial No.
16	G005783-006012-00	螺栓M6×12 Bolt	2	
17	R454-521000-000	油门拉线总成 Throttle line	1	≤2008-10-20
17	R441-521000-000	油门拉线总成 Throttle line	1	≥2008-10-20
18	PKD-100-G00	捆线带 Wire	1	
19	G006170-000005-00	螺母M5 Nut	1	
20	N121-510001-000	拉线挂销 Pin	1	
21	G000896-000004-00	挡圈4 Snap ring	1	
22	G005783-008016-00	螺栓M8×16 Bolt	4	
23	G000093-000008-00	垫圈8 Washer	4	
24	G0097P1-000008-00	垫圈8 Washer	2	
25	G000093-000005-00	垫圈5 Washer	1	
26	G005783-010020-00	螺栓M10×20 Bolt	2	
27	G005783-000010-00	垫圈10 Washer	2	
28	G0097P1-000010-00	垫圈10 Washer	2	
29	R5611-510001-000	油门拉线支架 Bracket	1	

图 6-1 油门操纵总成
Fig.6-1 Throttle control assy

Ⓔ CPCD40/45-RW5

Ⓕ CPCD50-RXW5

≥2014-04-01



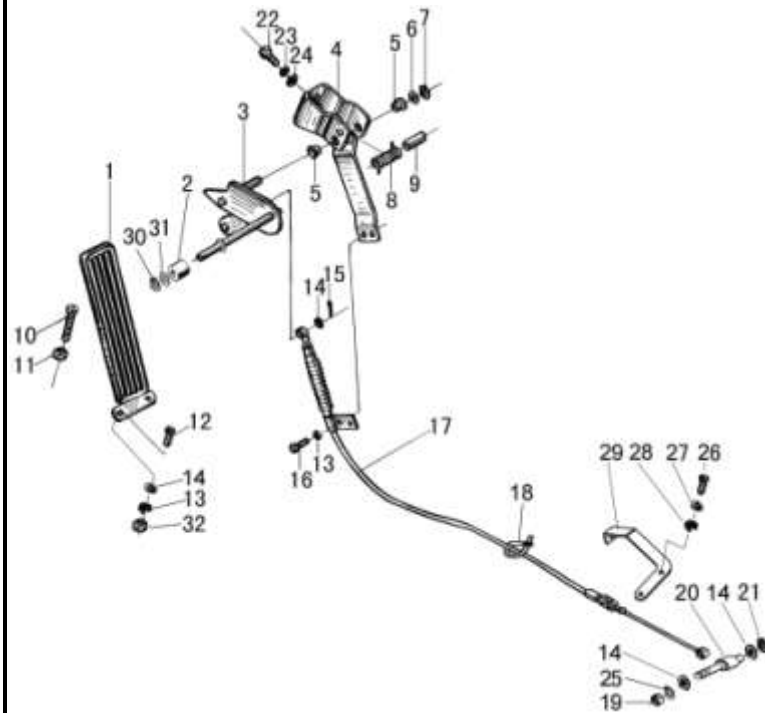
序号 Item	物料码 Part No.	名称 Description	数量 Qty	备注或适用车型 Remarks or Serial No.
1	A300-522000-000	油门踏板 GAS PEDAL	1	
2	30DH-530002	滚轮 ROLLER	1	
3	R450-524100-001	摇杆总成 Rocker rod assy	1	
4	R450-521100-000	支架 Bracket	1	
5	N163-521003-000	衬套 Bushing	2	
6	N163-521004-000	垫圈 Washer	1	
7	G0894P1-000008-00	挡圈 Snap ring	1	
8	N163-521001-000	扭簧 Tension spring	1	
9	N163-521002-000	套 Bushing	1	
10	15PH-500001	限位螺栓 Bolt	1	
11	G006170-000008-00	螺母M8 Nut	1	
12	G005783-006020-00	螺栓M6×20 BOLT M6×20	3	
13	G000093-000006-00	垫圈6 Washer	5	
14	G0097P1-000006-00	垫圈6 Washer	6	
15	XF250-520006-G00	锁销 6 PIN 6	1	

图 6-1 油门操纵总成
Fig.6-1 Throttle control assy

Ⓔ CPCD40/45-RW5

Ⓕ CPCD50-RXW5

≥2014-04-01

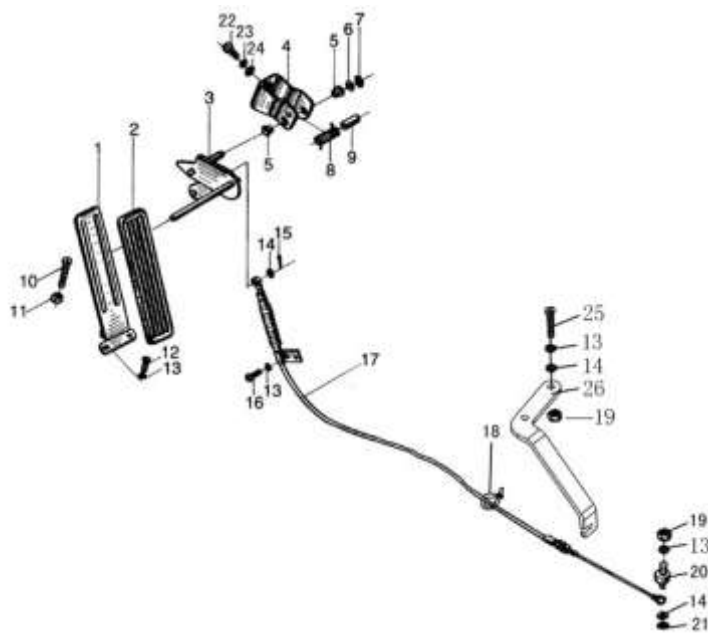


序号 Item	物料码 Part No.	名称 Description	数量 Qty	备注或适用车型 Remarks or Serial No.
16	G005783-006012-00	螺栓M6×12 Bolt	2	
17	R441-521000-000	油门拉线总成 Throttle line	1	≥2008-10-20
18	PKD-100-G00	捆线带 Wire	1	
19	G006170-000005-00	螺母M5 Nut	1	
20	N121-510001-000	拉线挂销 Pin	1	
21	G000896-000004-00	挡圈4 Snap ring	1	
22	G005783-008016-00	螺栓M8×16 Bolt	2	
23	G000093-000008-00	垫圈8 Washer	2	
24	G0097P1-000008-00	垫圈8 Washer	2	
25	G000093-000005-00	垫圈5 Washer	1	
26	G005783-010020-00	螺栓M10×20 Bolt	2	
27	G000093-000010-00	垫圈10 Washer	2	
28	G0097P1-000010-00	垫圈10 Washer	2	
29	R5611-510001-000	油门拉线支架 Bracket	1	
30	G00894P1-000010-00	挡圈 10 SNAP RING 10	1	

图7 油门操纵总成
Fig.7 Throttle control assy

© CPCD40/45-RW35 © CPCD50-RXW35

<2014-04-01

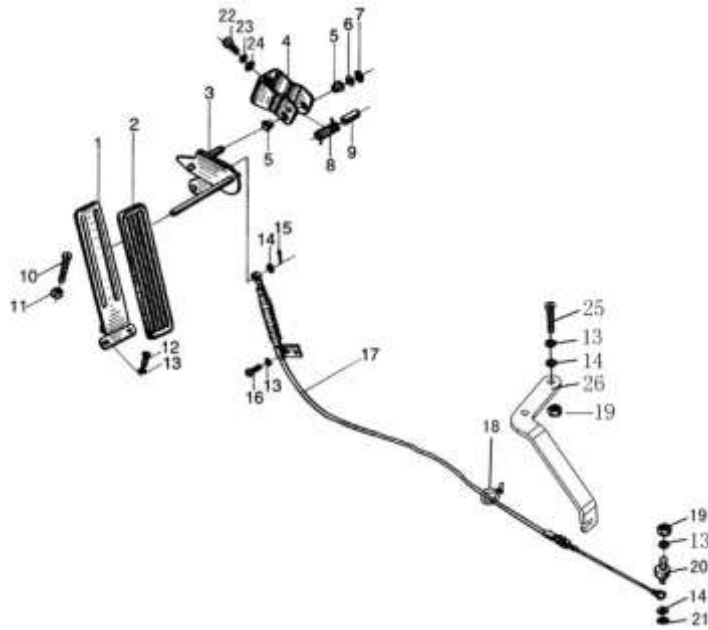


序号 Item	物料码 Part No.	名称 Description	数量 Qty	备注或适用车型 Remarks or Serial No.
1	N163-523000-000	踏板总成 Pedal assy	1	
2	N163-520002-000	踏板垫 Pedal pad	1	
3	R450-521200-000	摇杆总成 Rocker rod assy	1	
4	R450-521100-000	支架 Bracket	1	
5	N163-521003-000	衬套 Bushing	2	
6	N163-521004-000	垫圈 Washer	1	
7	G0894P1-000008-00	挡圈8 Snap ring	1	
8	N163-521001-000	扭簧 Tension spring	1	
9	N163-521002-000	套 Bushing	1	
10	N163-520001-000	限位螺钉 Bolt	1	
11	G006170-000008-00	螺母M8 Nut	1	
12	G002672-006016-00	螺钉M6x16 Screw	2	
13	G000093-000006-00	垫圈6 Washer	7	
14	G0097P1-000006-00	垫圈6 Washer	5	
15	G000091-1P2020-00	销1.2x20 Pin	1	

图7 油门操纵总成
Fig.7 Throttle control assy

© CPCD40/45-RW35 © CPCD50-RXW35

<2014-04-01

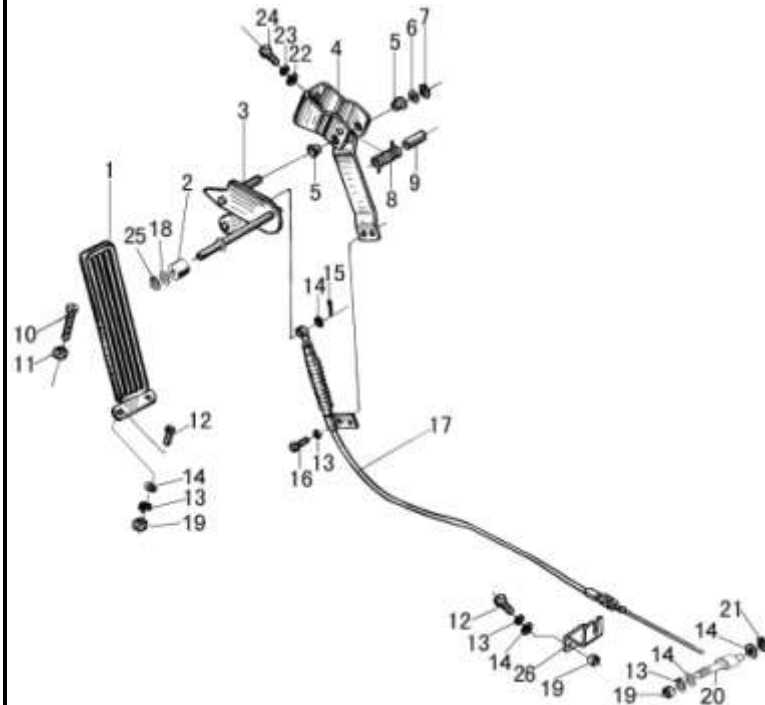


序号 Item	物料码 Part No.	名称 Description	数量 Qty	备注或适用车型 Remarks or Serial No.
16	G005783-006012-00	螺栓M6×12 Bolt	2	
17	R457-522000-000	油门拉线总成 Throttle line	1	
18	PKD-100-G00	捆线带 Wire	1	
19	G006170-000006-00	螺母M6 Nut	3	
20	GR501-520001-000	拉线挂销 Pin	1	
21	G000896-000004-00	挡圈4 Snap ring	1	
22	G005783-008016-00	螺栓M8×16 Bolt	2	
23	G000093-000008-00	垫圈8 Washer	2	
24	G0097P1-000008-00	垫圈8 Washer	2	
25	G005783-006020-00	螺栓M6×20 Bolt	2	
26	R457-520001-000	油门支架 Bracket	1	

图 7-1 油门操纵总成
Fig.7-1 Throttle control assy

© CPCD40/45-RW35 © CPCD50-RXW35

≥2014-04-01

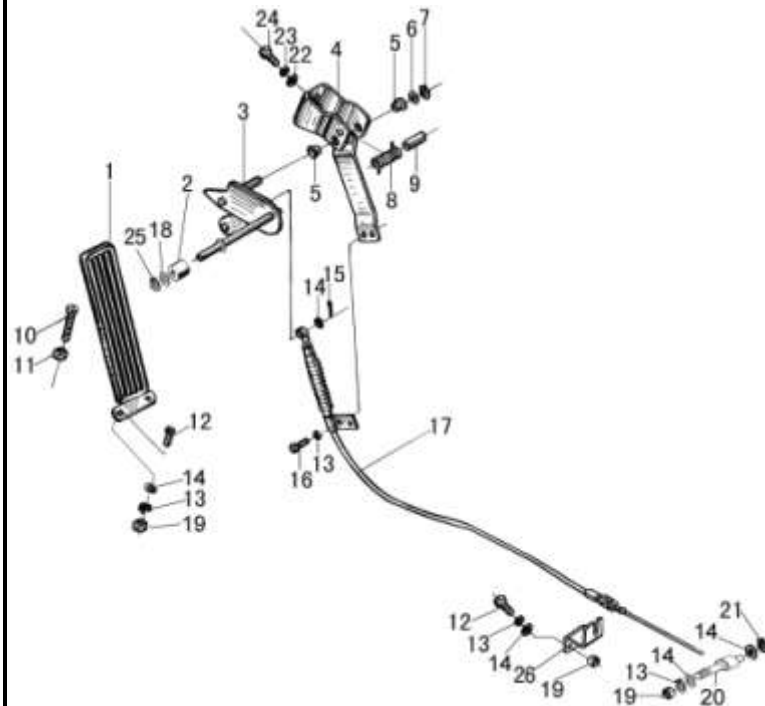


序号 Item	物料码 Part No.	名称 Description	数量 Qty	备注或适用车型 Remarks or Serial No.
1	A300-522000-000	油门踏板 Gas pedal	1	
2	30DH-530002	滚轮 Roller	1	
3	R450-524100-001	摇杆总成 Rocker rod assy	1	
4	R450-521100-000	支架 Bracket	1	
5	N163-521003-000	衬套 Bushing	2	
6	N163-521004-000	垫圈 Washer	1	
7	G0894P1-000008-00	挡圈8 Snap ring 8	1	
8	N163-521001-000	扭簧 Tension spring	1	
9	N163-521002-000	套 Bushing	1	
10	R450-520002-000	限位螺钉 Bolt	1	
11	G006170-000008-00	螺母M8 Nut M8	1	
12	G005783-006020-00	螺栓M6×20 Bolt M6×20	5	
13	G000093-000006-00	垫圈6 Washer 6	8	
14	G0097P1-000006-00	垫圈6 Washer 6	8	
15	XF250-520006-G00	锁销 6 Pin 6	1	

图 7-1 油门操纵总成
Fig.7-1 Throttle control assy

© CPCD40/45-RW35 © CPCD50-RXW35

≥2014-04-01



序号 Item	物料码 Part No.	名称 Description	数量 Qty	备注或适用车型 Remarks or Serial No.
16	G005783-006012-00	螺栓M6×12 Bolt M6×12	2	
17	R457-522000-000	油门拉线总成 Throttle line	1	
18	G000848-000010-00	垫圈 10 Washer 10	1	
19	G006170-000006-00	螺母M6 Nut M6	6	
20	GR501-520001-000	拉线挂销 Pin	1	
21	G000896-000004-00	挡圈4 Snap ring 4	1	
22	G005783-008016-00	螺栓M8×16 Bolt M8×16	2	
23	G000093-000008-00	垫圈8 Washer 8	2	
24	G0097P1-000008-00	垫圈8 Washer 8	2	
25	G00894P1-000010-00	挡圈 10 Snap ring 10	1	
26	R457-520001-000	油门支架 Bracket	1	

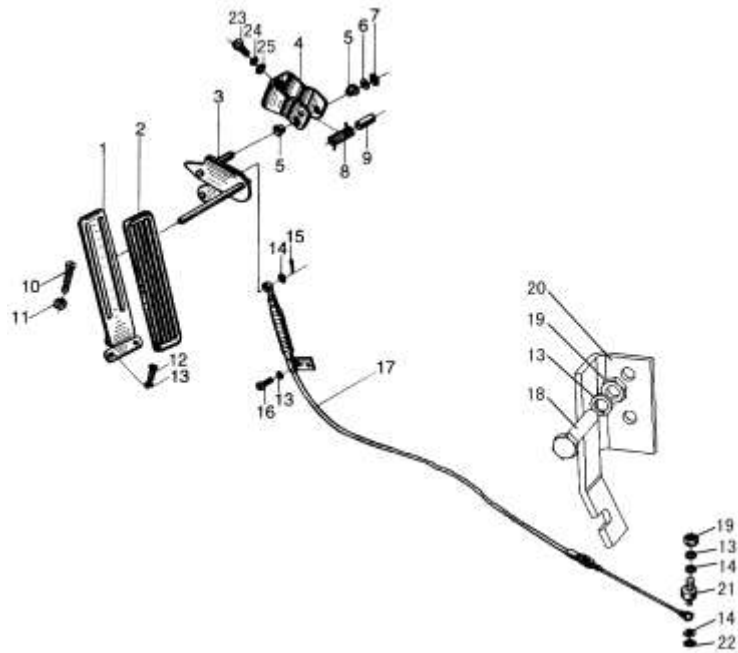
图 8 油门操纵总成
Fig. 8 Throttle control assy

© CPYD40/45-RW17 Ⓜ CPYD50-RXW17

序号 Item	物料码 Part No.	名称 Description	数量 Qty	备注或适用车型 Remarks or Serial No.
1	R450-523000-000	踏板总成 Pedal assy	1	
2	N163-520002-000	踏板垫 Pedal pad	1	
3	R450-521200-000	摇杆总成 Rocker rod assy	1	
4	R450-521100-000	支架 Bracket	1	
5	N163-521003-000	衬套 Bushing	2	
6	N163-521004-000	垫圈 Washer	1	
7	G0894P1-000008-00	挡圈 Snap ring	1	
8	N163-521001-000	扭簧 Tension spring	1	
9	N163-521002-000	套 Bushing	1	
10	N163-520001-000	限位螺钉 Screw	1	
11	G006170-000008-00	螺母M8 Nut	1	
12	G002672-006016-00	螺钉M6x16 Screw	2	
13	G000093-000006-00	垫圈6 Washer	7	
14	G0097P1-000006-00	垫圈6 Washer	3	
15	G000091-1P2020-00	销1.2x20 Pin	1	

图 8 油门操纵总成
Fig. 8 Throttle control assy

© CPYD40/45-RW17 Ⓜ CPYD50-RXW17

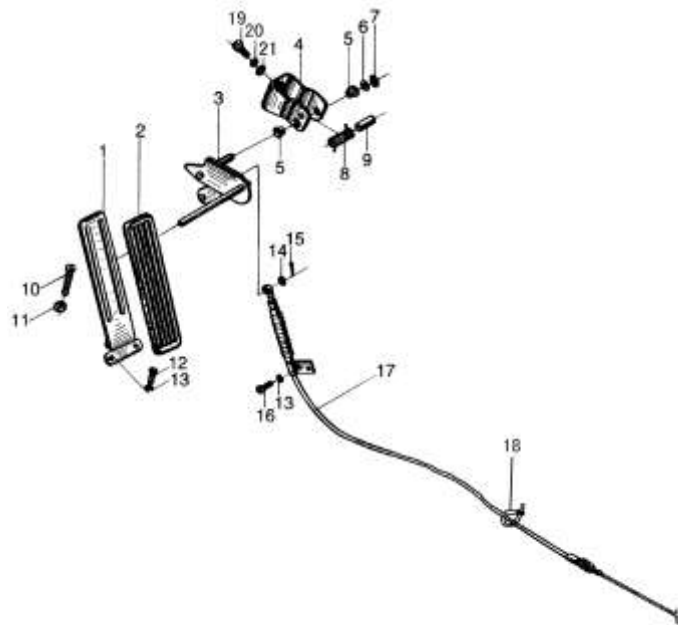


序号 Item	物料码 Part No.	名称 Description	数量 Qty	备注或适用车型 Remarks or Serial No.
16	G005783-006012-00	螺栓M6×12 Bolt	2	
17	R453-522000-000	油门拉线总成 Throttle line	1	
18	G005783-006016-00	螺栓M6×16 Bolt	2	
19	G006170-000006-00	螺母M6 Nut	3	
20	R453-520001-000	油门支架 Bracket	1	
21	50DHA-610002	拉线挂销 Pin	1	
22	G000896-000004-00	挡圈4 Snap ring	1	
23	G005783-008016-00	螺栓M8×16 Bolt	2	
24	G000093-000008-00	垫圈8 Washer	2	
25	G0097P1-000008-00	垫圈8 Washer	2	

图 9 油门操纵总成
Fig. 9 Throttle control assy

① CPCD40/45-RW19 ② CPCD50-RXW19

<2014-04-01

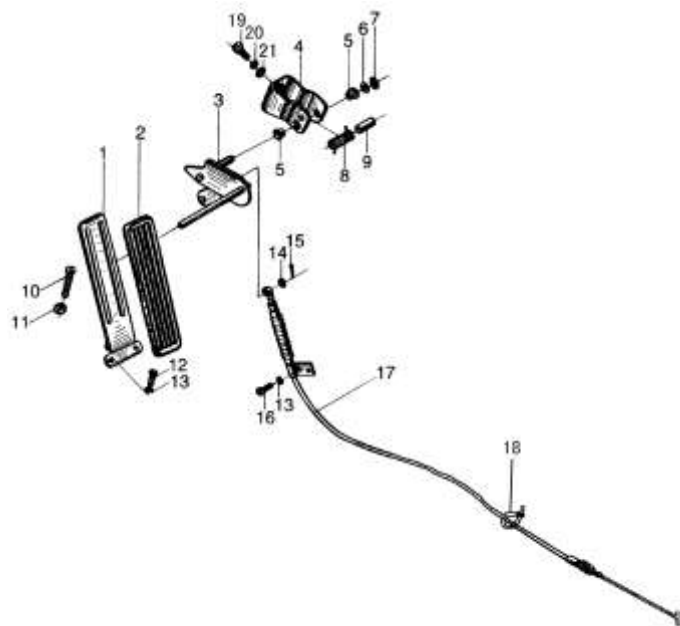


序号 Item	物料码 Part No.	名称 Description	数量 Qty	备注或适用车型 Remarks or Serial No.
1	R450-523000-000	踏板总成 Pedal assy	1	
2	N163-520002-000	踏板垫 Pedal pad	1	
3	R450-521200-000	摇杆总成 Rocker rod assy	1	
4	R450-521100-000	支架 Bracket	1	
5	N163-521003-000	衬套 Bushing	2	
6	N163-521004-000	垫圈 Washer	1	
7	G0894P1-000008-00	挡圈 Snap ring	1	
8	N163-521001-000	扭簧 Tension spring	1	
9	N163-521002-000	套 Bushing	1	
10	N163-520001-000	限位螺钉 Screw	1	
11	G006170-000008-00	螺母M8 Nut	1	
12	G002672-006016-00	螺钉M6x16 Screw	2	
13	G000093-000006-00	垫圈6 Washer	4	
14	G0097P1-000006-00	垫圈6 Washer	1	
15	G000091-1P2020-00	销1.2x20 Pin	1	

图 9 油门操纵总成
Fig. 9 Throttle control assy

① CPCD40/45-RW19 ② CPCD50-RXW19

<2014-04-01

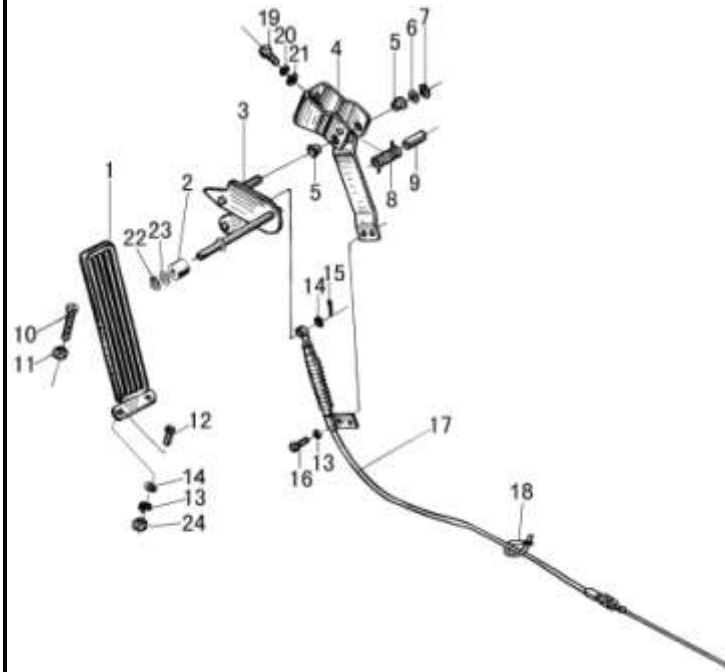


序号 Item	物料码 Part No.	名称 Description	数量 Qty	备注或适用车型 Remarks or Serial No.
16	G005783-006012-00	螺栓M6×12 Bolt	2	
17	R452-521000-000	油门拉线总成 Throttle line	1	
18	PKD-100-G00	捆线带 Wire	1	
19	G005783-008016-00	螺栓M8×16 Bolt	2	
20	G000093-000008-00	垫圈8 Washer	2	
21	G0097P1-000008-00	垫圈8 Washer	2	

图 9-1 油门操纵总成
Fig. 9-1 Throttle control assy

①CPCD40/45-RW19 ②CPCD50-RXW19

≥2014-04-01

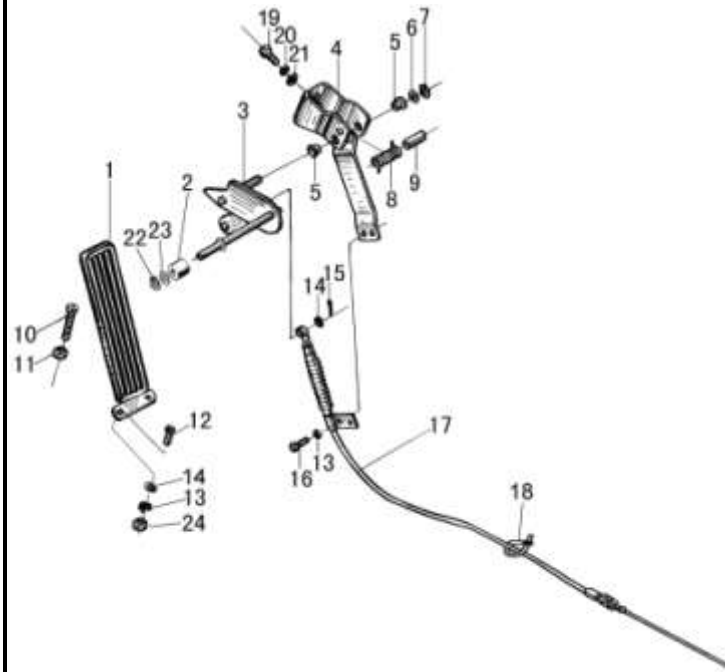


序号 Item	物料码 Part No.	名称 Description	数量 Qty	备注或适用车型 Remarks or Serial No.
1	A300-522000-000	油门踏板 GAS PEDAL	1	
2	30DH-530002	滚轮 ROLLER	1	
3	R450-524100-001	摇杆总成 Rocker rod assy	1	
4	R450-521100-000	支架 Bracket	1	
5	N163-521003-000	衬套 Bushing	2	
6	N163-521004-000	垫圈 Washer	1	
7	G0894P1-000008-00	挡圈 Snap ring	1	
8	N163-521001-000	扭簧 Tension spring	1	
9	N163-521002-000	套 Bushing	1	
10	R450-520002-000	限位螺钉 Screw	1	
11	G006170-000008-00	螺母M8 Nut	1	
12	G005783-006020-00	螺栓M6x20 BOLT M6x20	3	
13	G000093-000006-00	垫圈6 Washer	5	
14	G0097P1-000006-00	垫圈6 Washer	4	
15	XF250-520006-G00	锁销 6 PIN 6	1	

图 9-1 油门操纵总成
Fig. 9-1 Throttle control assy

①CPCD40/45-RW19 ②CPCD50-RXW19

≥2014-04-01

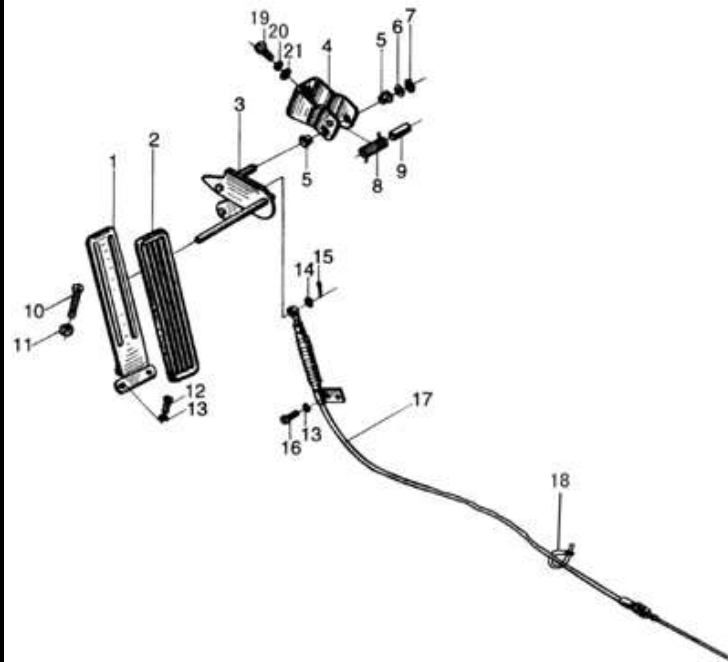


序号 Item	物料码 Part No.	名称 Description	数量 Qty	备注或适用车型 Remarks or Serial No.
16	G005783-006012-00	螺栓M6×12 Bolt	2	
17	R452-521000-000	油门拉线总成 Throttle line	1	
18	PKD-100-G00	捆线带 Wire	1	
19	G005783-008016-00	螺栓M8×16 Bolt	2	
20	G000093-000008-00	垫圈8 Washer	2	
21	G0097P1-000008-00	垫圈8 Washer	2	
22	G00894P1-000010-00	挡圈 10 Snap ring 10	1	
23	G000848-000010-00	垫圈 10 Washer 10	1	
24	G006170-000006-00	螺母M6 Nut M6	3	

图 10 油门操纵总成
Fig. 10 Throttle control assy

® CPC45-RG34-S

<2014-04-01

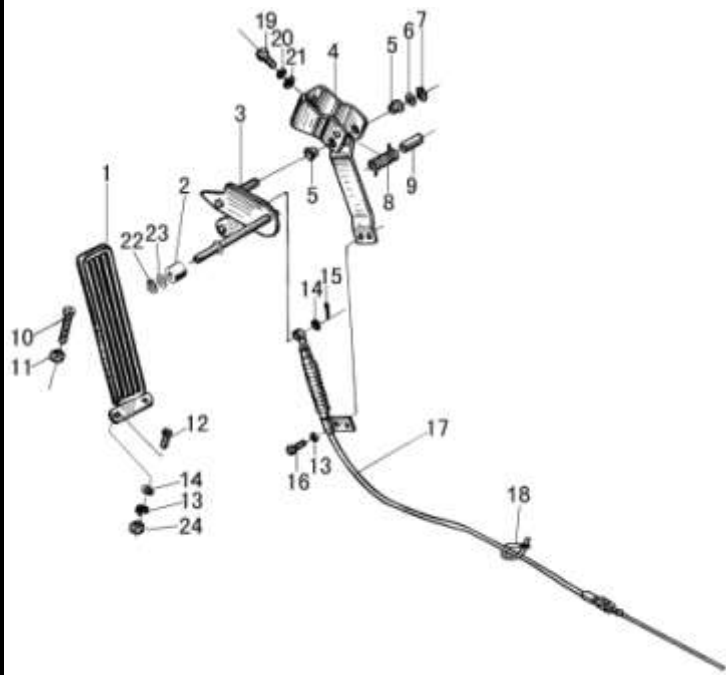


序号 Item	物料码 Part No.	名称 Description	数量 Qty	备注或适用车型 Remarks or Serial No.
1	R450-523000-000	踏板总成 Pedal assy	1	
2	N163-520002-000	踏板垫 Pedal pad	1	
3	R450-521200-000	摇杆总成 Rocker rod assy	1	
4	R450-521100-000	支架 Bracket	1	
5	N163-521003-000	衬套 Bushing	2	
6	N163-521004-000	垫圈 Washer	1	
7	G0894P1-000008-00	挡圈 Snap ring	1	
8	N163-521001-000	扭簧 Tension spring	1	
9	N163-521002-000	套 Bushing	1	
10	N163-520001-000	限位螺钉 Screw	1	
11	G006170-000008-00	螺母M8 Nut	1	
12	G002672-006016-00	螺钉M6x16 Screw	2	
13	G000093-000006-00	垫圈6 Washer	4	
14	G0097P1-000006-00	垫圈6 Washer	1	
15	G000091-1P2020-00	销1.2x20 Pin	1	

图 10-1 油门操纵总成
Fig. 10-1 Throttle control assy

® CPC45-RG34-S

≥2014-04-01

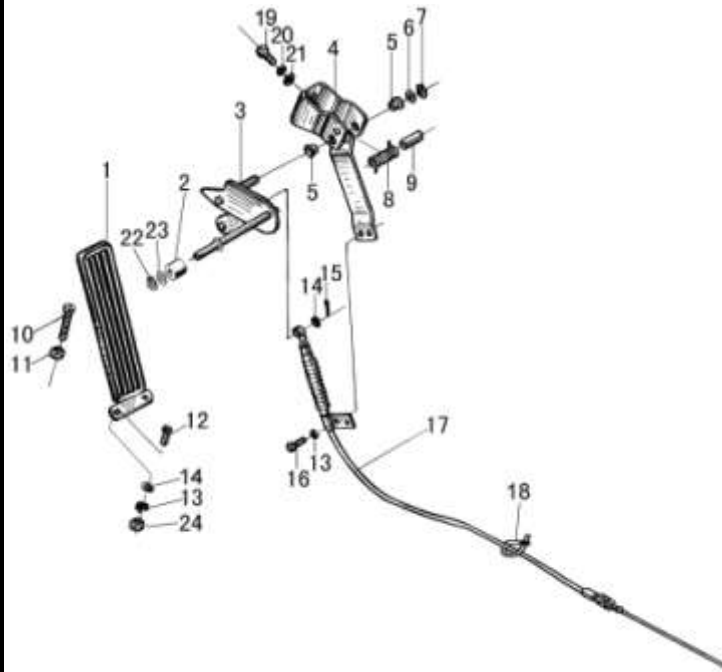


序号 Item	物料码 Part No.	名称 Description	数量 Qty	备注或适用车型 Remarks or Serial No.
1	A300-522000-000	油门踏板 GAS PEDAL	1	
2	30DH-530002	滚轮 ROLLER	1	
3	R450-524100-001	摇杆总成 Rocker rod assy	1	
4	R450-521100-000	支架 Bracket	1	
5	N163-521003-000	衬套 Bushing	2	
6	N163-521004-000	垫圈 Washer	1	
7	G0894P1-000008-00	挡圈 Snap ring	1	
8	N163-521001-000	扭簧 Tension spring	1	
9	N163-521002-000	套 Bushing	1	
10	R450-520002-000	限位螺钉 Screw	1	
11	G006170-000008-00	螺母M8 Nut	1	
12	G005783-006020-00	螺栓M6x20 BOLT M6x20	3	
13	G000093-000006-00	垫圈6 Washer	5	
14	G0097P1-000006-00	垫圈6 Washer	4	
15	XF250-520006-G00	锁销 6 PIN 6	1	

图 10-1 油门操纵总成
Fig. 10-1 Throttle control assy

® CPC45-RG34-S

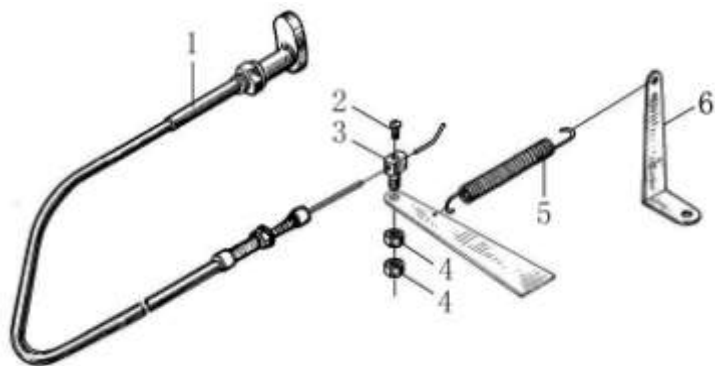
≥2014-04-01



序号 Item	物料码 Part No.	名称 Description	数量 Qty	备注或适用车型 Remarks or Serial No.
16	G005783-006012-00	螺栓M6×12 Bolt	2	
17	RS450-511000-000	油门拉线总成 Throttle line	1	
18	PKD-100-G00	捆线带 Wire	1	
19	G005783-008016-00	螺栓M8×16 Bolt	2	
20	G000093-000008-00	垫圈8 Washer	2	
21	G0097P1-000008-00	垫圈8 Washer	2	
22	G00894P1-000010-00	挡圈 10 Snap ring 10	1	
23	G000848-000010-00	垫圈 10 Washer 10	1	
24	G006170-000006-00	螺母M6 Nut M6	3	

图 11 熄火操纵总成
Fig.11 Choke control assy

Ⓐ CPCD40/45-RG24 Ⓑ CPCD50-RXG24 Ⓓ CPC50-RXG24
 Ⓤ CPCD40/45-RG42 Ⓥ CPCD50-RXG42 Ⓜ CPC50-RXG42 Ⓨ CPC45-RG42-S



序号 Item	物料码 Part No.	名称 Description	数量 Qty	备注或适用车型 Remarks or Serial No.
1	N150-522000-000	手风门推杆总成	1	Ⓐ Ⓑ Ⓤ Ⓥ
1	R450-561000-000	熄火拉线总成 Choke line assy	1	Ⓓ Ⓜ Ⓨ
2	G000067-005008-00	螺钉M5x8 Screw	1	
3	50CDA-650002	固定座 Bracket	1	
4	G000041-000006-00	螺母M6 Nut	2	
5	50CDA-650003	回位弹簧 Spring	1	
6	50CDA-650004	勾座 Bracket	1	

图 12 熄火操纵总成
Fig.12 Choke control assy

® CPC45-RG34-S

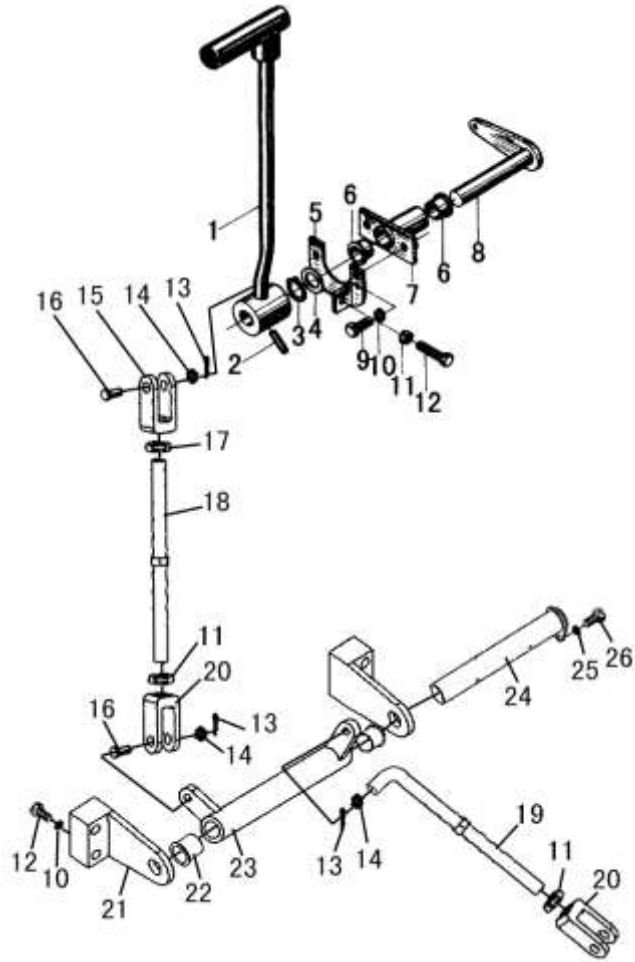


序号 Item	物料码 Part No.	名称 Description	数量 Qty	备注或适用车型 Remarks or Serial No.
1	RS450-520100-000	熄火拉线总成 Choke line assy	1	®

图 13 换挡操纵总成
Fig. 13 Shift control assy

全部车型 (除© ® 外)
All models of truck (Except © ®)

<2014-04-01

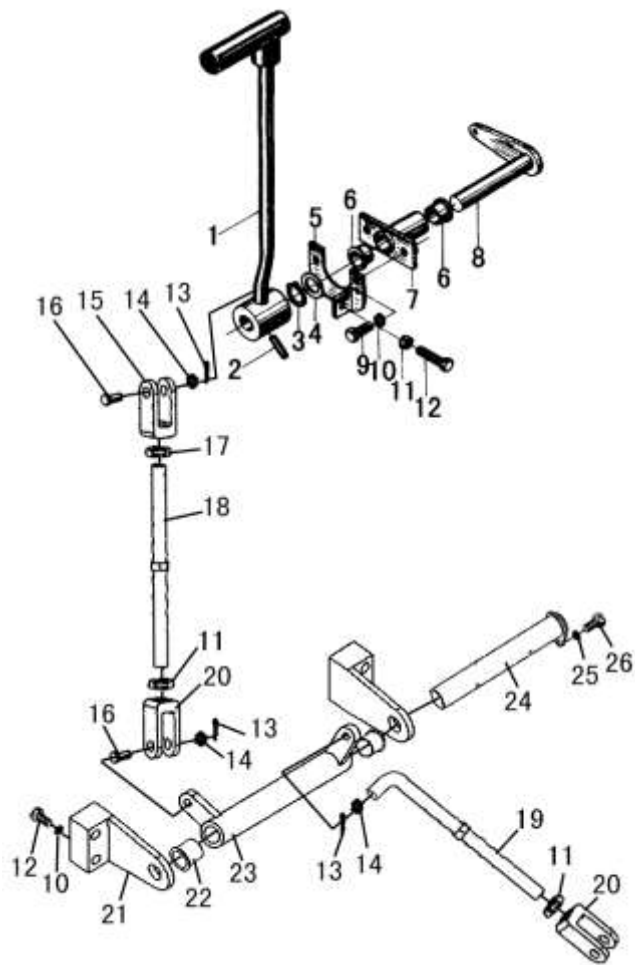


序号 Item	物料码 Part No.	名称 Description	数量 Qty	备注或适用车型 Remarks or Serial No.
1	N163-533000-000	换挡手柄 Shift handle	1	
2	G000879-006028-00	销6×28 Pin	1	
3	G0894P1-000014-00	挡圈14 Snap ring	1	
4	G0097P1-000014-00	垫圈14 Washer	1	
5	N163-532000-000	支架 Bracket	1	
6	N163-534001-000	衬套 Bushing	2	
7	N163-534100-000	支撑套 Bushing	1	
8	R450-536000-000	拉杆 Rod	1	
9	G005783-008020-00	螺栓M8×20 Bolt	2	
10	G000093-000008-00	垫圈8 Washer	6	
11	G006170-000008-00	螺母M8 Nut	3	
12	G005783-008030-00	螺栓M8×30 Bolt	5	
13	G000091-1P2020-00	销1.6×12 Pin	4	
14	G0097P1-000006-00	垫圈6 Washer	4	
15	R450-531100-000	推耳 Yoke	1	

图 13 换挡操纵总成
Fig. 13 Shift control assy

全部车型 (除© ® 外)
All models of truck (Except © ®)

<2014-04-01



序号 Item	物料码 Part No.	名称 Description	数量 Qty	备注或适用车型 Remarks or Serial No.
16	G000882-006022-00	销轴B6x22 Pin	3	
17	G006170-100008-00	螺母M8左旋 Nut-LH	1	
18	R450-531001-000	杆 Rod	1	
19	R450-535001-000	杆 Rod	1	
20	R450-531200-000	推耳 Yoke	2	
21	R450-532000-000	支架 Bracket	2	
22	N163-612001-000	衬套 Bushing	2	
23	R450-534000-000	摆臂 Rocker	1	
24	R450-533000-000	销轴 Pin	1	
25	G000093-000006-00	垫圈6 Washer	1	
26	G005783-006012-00	螺栓M6x12 Bolt	1	

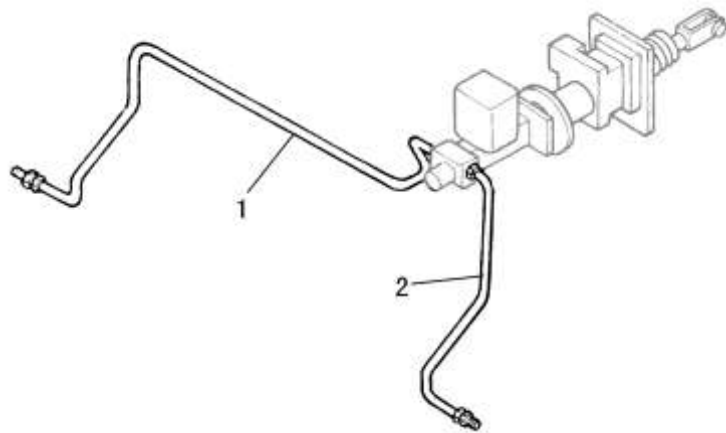
图 14 手制动操纵总成
Fig.14 Hand brake control assy

全部车型
All models of truck

序号 Item	物料码 Part No.	名称 Description	数量 Qty	备注或适用车型 Remarks or Serial No.
1	R450-541000-000	驻车制动器总成 Parking brake	1	<2014-04-01
2	G005783-008016-00	螺栓M8x16 Bolt	4	<2014-04-01
2	G005783-008016-00	螺栓M8x16 Bolt	1	≥2014-04-01
3	G000093-000008-00	垫圈8 Washer	4	<2014-04-01
3	G000093-000008-00	垫圈8 Washer	1	≥2014-04-01
4	N163-540001-000	管夹 Clamp	1	
5	R450-540001-000	管夹 Clamp	1	液力车 Hydraulic
5	R450-540002-000	管夹 Clamp	1	机械车 Mechanical
6	G005783-010020-00	螺栓 M10x20 BOLT M10x20	2	≥2014-04-01
7	G000093-000010-00	垫圈 10 WASHER 10	2	≥2014-04-01
8	A450-511000-000	驻车制动器总成 Parking brake	1	≥2014-04-01
9	R450-542000-001	驻车制动器总成 Parking brake 压钮Button	1	≥2014-04-01

图 15 制动油管总成
Fig.15 Brake oil pipe assy

全部车型 (除© ④ ® 外)
All models of truck (Except© ④ ®)



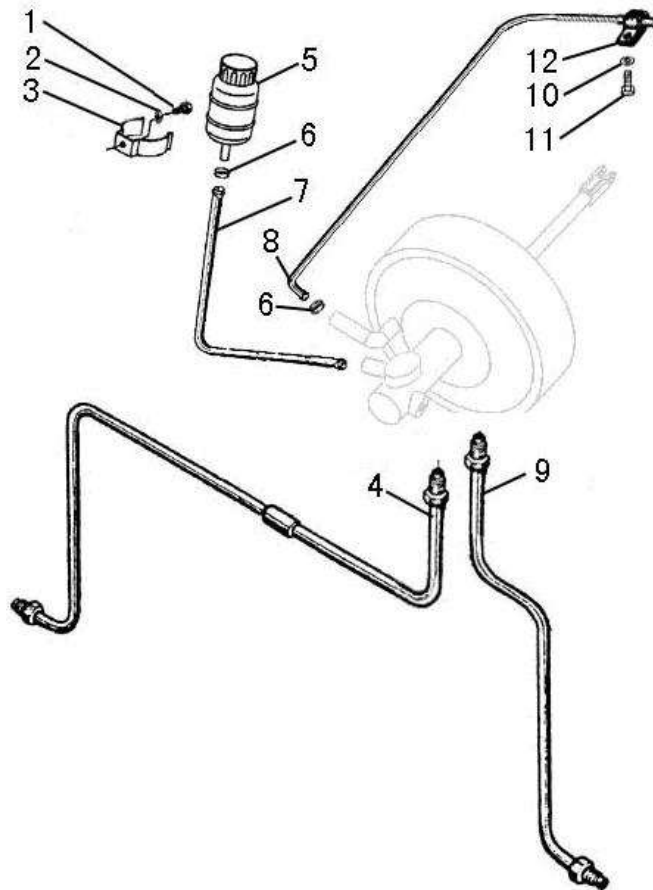
序号 Item	物料码 Part No.	名称 Description	数量 Qty	备注或适用车型 Remarks or Serial No.
1	R450-550100-000	右制动油管 Brake oil pipe	1	
2	R450-550200-000	左制动油管 Brake oil pipe	1	

图 16 制动油管总成
Fig. 16 Brake oil pipe assy

© CPC40/45-RG31

Ⓣ CPC50-RXG24

Ⓜ CPC45-RG34-S



序号 Item	物料码 Part No.	名称 Description	数量 Qty	备注或适用车型 Remarks or Serial No.
1	G005783-006012-00	螺栓M6x12 Bolt M6x12	1	
2	G000093-000006-00	垫圈6 Washer 6	1	
3	JP300-520002-000	支架 Bracket	1	
4	A450-530200-000	右制动油管 Brake oil pipe	1	
5	JP300-524001-W00	油杯 Oil cup	1	
6	Q672-19-G00	双钢丝式环箍19 Clamp 19	4	
7	R441-530001-W00	液力制动胶管 Hose Ø9.5x17x650	1	
8	R441-500001-W00	胶管Ø 10x17x1800 Hose Ø 10x17x1800	1	
9	A450-530100-000	左制动油管 Brake oil pipe	1	
10	G000093-000008-00	垫圈8 Washer 8	1	
11	G005783-008016-00	螺栓M8x16 Bolt M8x16	1	
12	50W-730006	管夹 Clip	1	

第六部分 液压系统目录

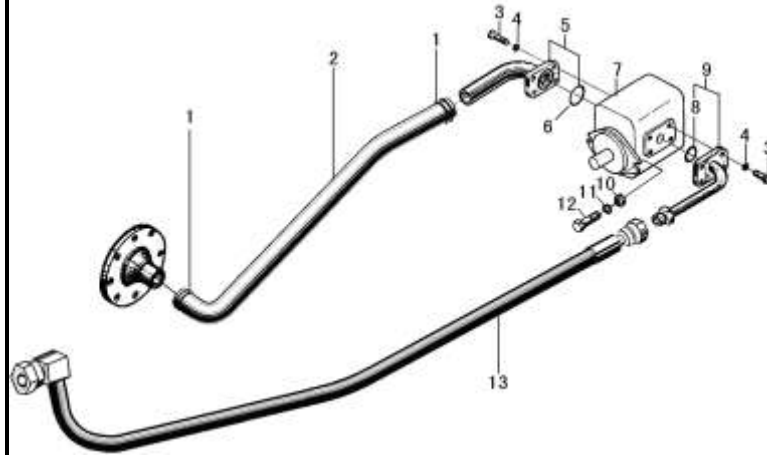
Part VI Hydraulic system contents

- | | | | |
|------------------|-------------------|------------------|------------------|
| Ⓐ CPCD40/45-RG24 | Ⓑ CPCD50-RXG24 | Ⓒ CPC40/45-RG31 | Ⓓ CPC50-RXG24 |
| Ⓔ CPCD40/45-RW5 | Ⓕ CPCD50-RXW5 | Ⓖ CPYD40/45-RW17 | Ⓗ CPYD50-RXW17 |
| Ⓙ CPCD50-RXW19 | Ⓚ CPQYD40/45-RW57 | Ⓛ CPQYD50-RXW57 | Ⓜ CPYD40/45-RW57 |
| | | Ⓞ CPCD40/45-RW35 | Ⓟ CPCD50-RXW35 |
| Ⓢ CPYD40/45-RW24 | Ⓣ CPYD50-RXW24 | Ⓤ CPCD40/45-RG42 | Ⓡ CPC50-RXG42 |
| Ⓧ CPC45-RG43-S | Ⓨ CPC45-RG42-S | | |

序号 Item	名称 Description	适用车型 Serial No.	页码 Page
图 1 Fig. 1	油泵总成 Pump assy	全部车型 (除Ⓒ Ⓧ外) All models of truck (ExceptⒸ Ⓧ)	6-1
图 2 Fig. 2	油泵总成 Pump assy	Ⓒ Ⓧ	6-3
图 3 Fig. 3	倾斜管路 Tilting oil pipe	全部车型 All models of truck	6-4
图 4 Fig. 4	转向管路 Steering oil pipe	全部车型 All models of truck	6-5
图 5 Fig. 5	液压油箱附件 Hydraulic oil tank accessory	全部车型 All models of truck	6-7
图 6 Fig. 6	多路阀操纵 Multi-way valve control	全部车型 All models of truck	6-9
图 7 Fig. 7	多路阀总成 Multi-way valve assy	全部车型 All models of truck	6-12
图 8 Fig. 8	回油滤油总成 Strainer assy	全部车型 All models of truck	6-14

图1 油泵总成
Fig.1 Pump assy

全部车型 (除ⓐⓧ外)
All models of truck (Exceptⓐⓧ)

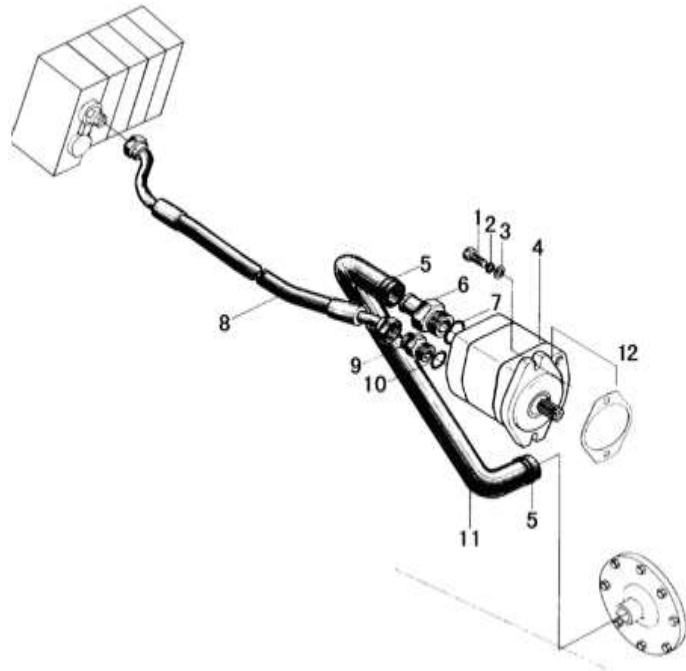


序号 Item	物料码 Part NO.	名称 Description	数量 Qty	备注或适用车型 Remarks Or Serial NO.
1	Q672-52-G00	双钢丝式环箍 52 Clamp 52	2	
2	R450-600002-000	吸油管 Suction hose	1	除/Except ⓐ ⓧ Ⓚ Ⓛ Ⓛ1 ⓓ Ⓦ Ⓨ
2	R450-600005-000	吸油管 Suction hose	1	ⓐ ⓧ Ⓚ Ⓛ Ⓛ1
2	R470-600001-000	吸油管 Suction hose	1	ⓓ Ⓦ Ⓨ
3	G005783-010025-00	螺栓 M10×25 Bolt M10×25	8	
4	G0093-000010-00	垫圈 10 Washer 10	8	
5	R450-601100-000	吸油法兰总成 Suction flange assy	1	
6	G001235-004503P5-00	O 形密封圈 45×3.5 O-ring 45×3.5	1	
7	R450-601300-000	齿轮泵 Gear pump	1	CBQ-F550-AFHL
8	G001235-003503P1-00	O 形密封圈 35×3.1 O-ring 35×3.1	1	
9	R450-601200-000	出油法兰总成 Outlet flange assy	1	除外/Except ⓐ ⓧ Ⓚ Ⓛ Ⓛ1 ⓓ Ⓦ Ⓨ
9	R470-601200-000	出油法兰总成 Outlet flange assy	1	ⓓ Ⓦ Ⓨ
10	G006170-000012-00	螺母 M12 Nut	2	
11	G000093-000012-00	垫圈 12 Washer	2	
12	G005782-012050-00	螺栓 M12×50 Bolt	2	

图2 油泵总成
Fig.2 Pump assy

© CPC40/45-RG31

⊗ CPC45-RG43-S



序号 Item	物料码 Part NO.	名称 Description	数量 Qty	备注或适用车型 Remarks Or Serial NO.
1	G005783-010030-00	螺栓 M10×30 Bolt	2	
2	G000093-000010-00	垫圈 10 Washer	2	
3	G0097P1-000010-00	垫圈 10 Washer	2	
4	CBHZG-F40-ALH6L-G00	齿轮泵 Gear pump	1	
5	Q672-52-G00	双钢丝式环箍 52 Clamp	2	
6	R441-601001-000	直通管接头 Connector	1	
7	G001235-003503P5-00	O 形密封圈 35×3.5 O-ring	1	
8	R441-602000-000	胶管总成 Rubber pipe assy	1	©
8	RS451-602000-000	胶管总成 Rubber pipe assy	1	⊗
9	H400-600101-000	管接头 Connector	1	
10	G001235-002402P4-00	O 形密封圈 24×2.4 O-ring	1	
11	R441-600001-000	吸油管 Suction hose	1	©
11	RS451-600001-000	吸油管 Suction hose	1	⊗
12	80DH-751001	垫片 Spacer	1	

图3 倾斜管路
Fig.3 Tilting oil pipe

全部车型
All models of truck

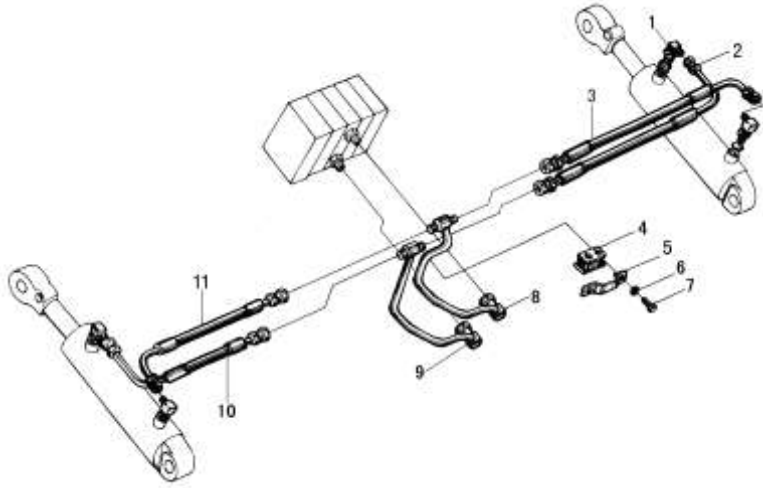
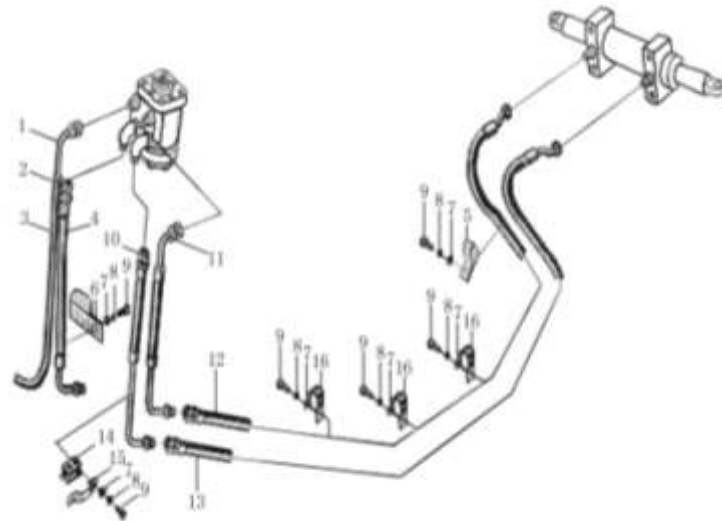
	序号 Item	物料码 Part NO.	名称 Description	数量 Qty	备注或适用车型 Remarks Or Serial NO.
	1	40DH-600200	90 度管接头 Elbow	4	
	2	R450-620400-000	胶管总成 Rubber pipe assy	1	
	3	R450-620300-000	胶管总成 Rubber pipe assy	1	
	4	R450-620001-000	橡胶固定块 Insulator	1	
	5	R450-620002-000	固定夹 Clamp	1	
	6	G000093-000008-00	垫圈 8 Washer	2	
	7	G005783-008016-00	螺栓 M8×16 Bolt	2	
	8	R450-622000-000	倾斜钢管 2 Steal pipe	1	
	9	R450-621000-000	倾斜钢管 1 Steal pipe	1	
	10	R450-620100-000	胶管总成 Rubber pipe assy	1	
	11	R450-620200-000	胶管总成 Rubber pipe assy	1	

图4 转向管路
Fig.4 Steering oil pipe

全部车型
All models of truck



序号 Item	物料码 Part NO.	名称 Description	数量 Qty	备注或适用车型 Remarks Or Serial NO.
1	R450-630100-000	硬管接头 Connector	1	
2	Q672-24-G00	双钢丝式环箍 24 Clamp	1	
3	R450-630002-W00	低压胶管 Hose	1	
4	R450-633000-000	胶管总成 Rubber pipe assy	1	除外/Except Ⓒ Ⓓ Ⓜ ⓧ Ⓨ
4	R441-630100-000	胶管总成 Rubber hose assy	1	Ⓒ Ⓓ Ⓜ ⓧ Ⓨ
5	N163-540002-000	管夹 Clip	2	
6	R450-630003-000	抱箍 Clamp	1	
7	G0097P1-000008-00	垫圈 8 Washer	8	
8	G000093-000008-00	垫圈 8 Washer	8	
9	G005783-008012-00	螺栓 M8×12 Bolt	8	
10	R450-632000-000	胶管总成 Rubber hose assy	1	
11	R450-631000-000	胶管总成 Rubber hose assy	1	
12	R450-630200-000	胶管总成 Rubber hose assy	1	4.0t-4.5t
12	R480-630200-000	胶管总成 Rubber hose assy	1	X5.0t
13	R450-630300-000	胶管总成 Rubber hose assy	1	4.0t-4.5t

图 4 转向管路
Fig.4 Steering oil pipe

全部车型
All models of truck

序号 Item	物料码 Part NO.	名称 Description	数量 Qty	备注或适用车型 Remarks Or Serial NO.
13	R450-630200-000	胶管总成 Rubber hose assy	1	X5.0t
14	R450-620001-000	橡胶固定块 Insulator	1	
15	R450-620002-000	固定夹 Clip	1	
16	R450-630001-000	抱箍 Clamp	3	

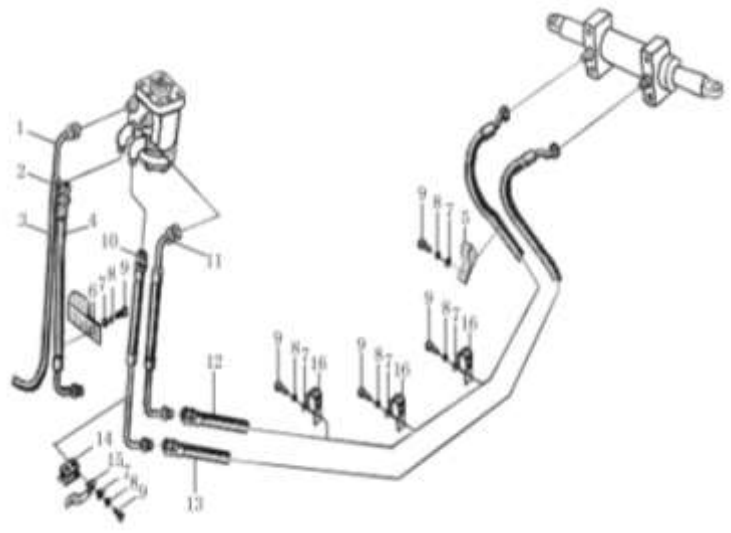


图 5 液压油箱附件
Fig.5 Hydraulic oil tank accessory

全部车型
All models of truck

序号 Item	物料码 Part NO.	名称 Description	数量 Qty	备注或适用车型 Remarks Or Serial NO.
1	TM450B1-G00	空气呼吸过滤器 Air filter	1	
2	R450-650002-000	管接头 Connector	1	
3	Q672-24-G00	双钢丝式环箍 24 Clamp	2	
4	R450-650001-000	软管 Hose	1	
A1	R450-652000-000	油尺 Oil dipstick	1	INC:5-8
5	N163-603301-000	油箱盖 Cover	1	
6	JISB2401-P29-G00	O 形密封圈 P29 O-ring	1	
7	G000818-004006-00	螺钉 M4x6 Screw	1	
8	R450-652001-000	标尺 Dipstick	1	
9	N163-603002-000	密封垫 Seal pad	1	
10	R450-651000-000	吸油滤油器 Filter	1	
11	G000093-000006-00	垫圈 6 Washer	8	
12	G005783-006020-00	螺栓 M6x20 Bolt	8	
13	N163-340002-000	磁铁 Ring magnetic iron	1	
14	J000982-000024-00	垫圈 24 Washer	1	

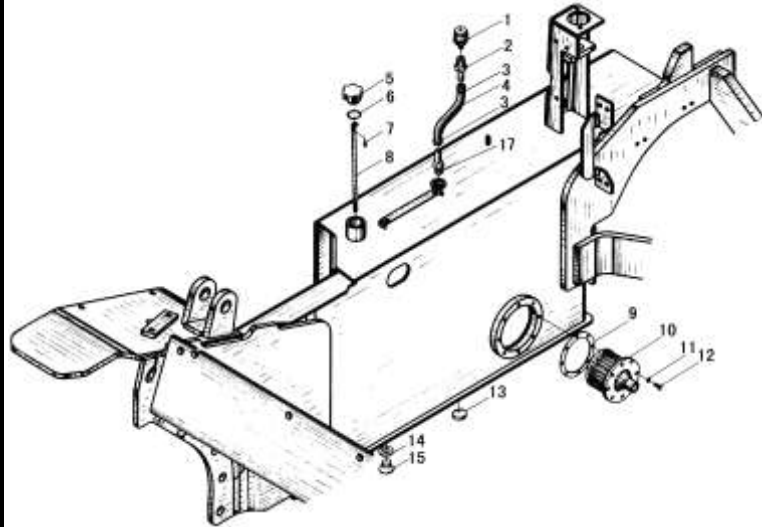
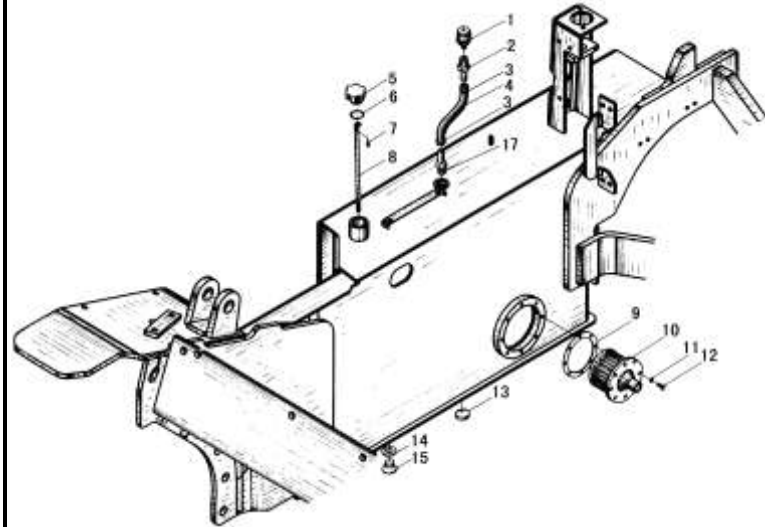


图 5 液压油箱附件
Fig.5 Hydraulic oil tank accessory

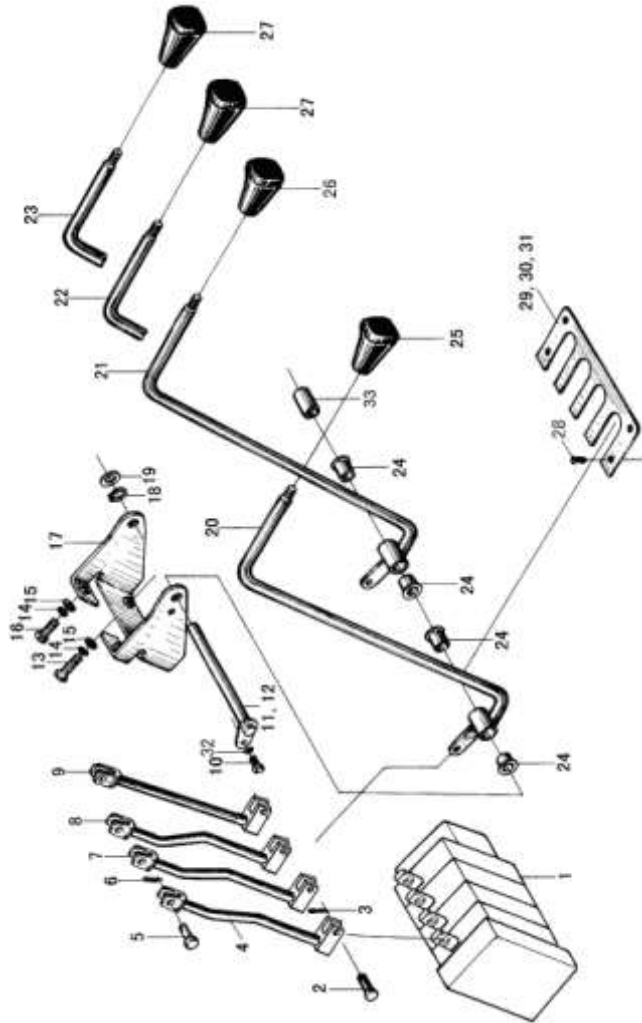
全部车型
All models of truck



序号 Item	物料码 Part NO.	名称 Description	数量 Qty	备注或适用车型 Remarks Or Serial NO.
15	N163-340008-000	螺塞 Plug	1	
16	J000982-000014-00	垫圈 14 Washer	1	
17	N163-603003-000	管接头 Connector	1	

图6 多路阀操纵
Fig.6 Multi-way valve control

全部车型
All models of truck



序号 Item	物料码 Part NO.	名称 Description	数量 Qty	备注或适用车型 Remarks Or Serial NO.
1	R450-610003-000	多路阀 Multi-way valve assy	1	
2	G000882-008024-00	销轴 8×24 Pin shaft 8×24	2	三联 3, 3 SEC 3 四联 4, 4 SEC 4
3	G000091-3P2018-00	销 3.2×18 Pin 3.2×18	4	三联 6,3 SEC 6 四联 8,4 SEC 8
4	R450-616000-000	接杆 Connector rod	1	
5	G000882-006022-00	销轴 6×22 Pin shaft 6×22	2	三联 3, 3 SEC3 四联 4, 4 SEC4
6	G000091-002016-00	销 2×16 Pin 2×16		
7	R450-615000-000	接杆 Connector rod	1	
8	R450-614000-000	接杆 Connector rod	1	
9	R450-613000-000	接杆 Connector rod	1	
10	G005783-006012-00	螺栓 M6×12 Bolt M6×12	1	
11	N163-612700-000	销轴 Pin shaft	1	二、三联阀用 For 2SEC,4SEC
12	N163-612800-000	销轴 Pin shaft	1	第四联阀用 For 4 SEC
13	G005783-008030-00	螺栓 M8×30 Bolt M8×30	2	
14	G000093-000008-00	垫圈 8 Washer 8	4	
15	G0097P1-000008-00	垫圈 8 Washer 8	4	

图6 多路阀操纵
Fig.6 Multi-way valve control

全部车型
All models of truck

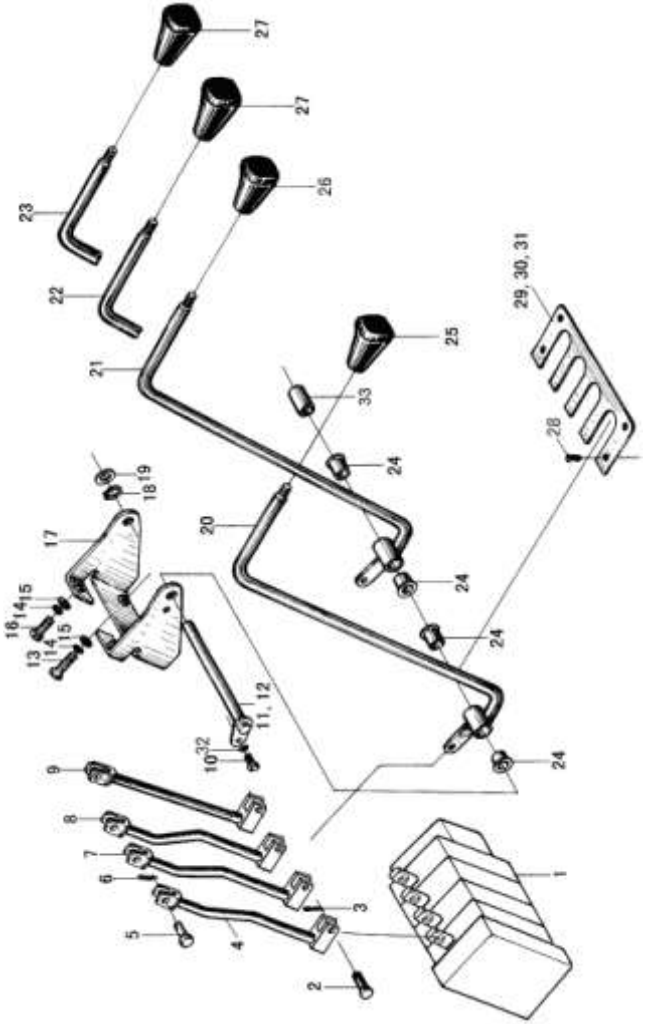
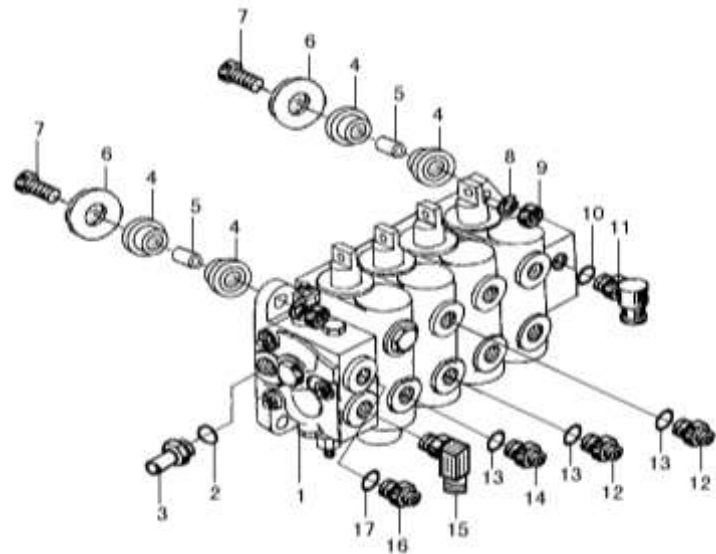
序号 Item	物料码 Part NO.	名称 Description	数量 Qty	备注或适用车型 Remarks Or Serial NO.
				
16	G005783-008020-00	螺栓 M8×20 Bolt M8×20	2	
17	N163-612100-000	支架 Bracket	1	
18	JS160-610010-000	调整垫 Adjusting washer		
19	G0894P1-000012-00	挡圈 12 Snap ring	1	第四联阀用 For 4 SEC
20	R450-612200-000	多路阀手柄 1 Multi-way valve hand	1	二联阀用 For 2 SEC
21	R450-612300-000	多路阀手柄 2 Multi-way valve hand	1	三联阀用 For 3 SEC
22	R450-612400-000	多路阀手柄 3 Multi-way valve hand	1	第四联阀用 For 4 SEC
23	R450-612500-000	多路阀手柄 4 Multi-way valve hand	1	三联 6,3 SEC6 四联 8,4 SEC8
24	N163-612001-000	衬套 Bush	4	
25	N163-610001-000	起升手把 Lifting knob	1	
26	N163-610002-000	倾斜手把 Tilting knob	1	
27	N163-610003-000	属具手把 knob,attachement	1	三联 1,3 SEC1 四联 2, 4 SEC2
28	N163-610100-W000	扣件 Fastener	4	
29	N163-610005-000	盖板 Cover plate	1	二联阀用 For 2 SEC
30	N163-610006-000	盖板 Cover plate	1	三联阀用 For 3 SEC

图7 多路阀总成
Fig.7 Multi-way valve assy

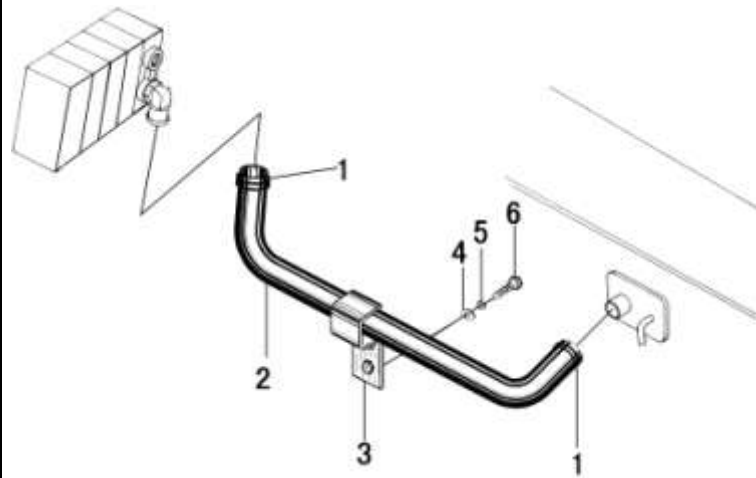
全部车型
All models of truck



序号 Item	物料码 Part NO.	名称 Description	数量 Qty	备注或适用车型 Remarks Or Serial NO.
1	R450-610003-000	多路阀 Valve	1	
2	G001235- 001902P4-00	O 形密封圈 19x2.4 O-ring	1	
3	R450-610101-000	接头体 Connector	1	
4	R450-610001-000	缓冲垫 Amortizing cushion	8	
5	R450-610002-000	套管 Thimble	4	
6	G0097P1-000012-00	垫圈 12 Washer	4	
7	G005782-012060-00	螺栓 M12x60 Bolt	4	≤2008-03-05
7	G005782-012065-00	螺栓 M12x65 Bolt	4	≥2008-03-06
8	G000093-000012-00	垫圈 12 Washer	4	
9	G006170-000012-00	螺母 M12 Nut	4	
10	G001235- 003503P5-00	O 形密封圈 35x3.5 O-ring	1	
11	50DH-710200	管接头 Connector	3	
12	40DH-600016	直通管接头 Nipple	2	三联 4、四联 6 3 SEC4, 4 SEC 6
13	G001235- 003203P5-00	O 形密封圈 32x3.5 O-ring	4	三联 6、四联 8 3 SEC6, 4 SEC 8
14	50DH-710101	管接头 Connector	1	

图 8 回油滤油总成
Fig.8 Strainer assy

全部车型
All models of truck



序号 Item	物料码 Part NO.	名称 Description	数量 Qty	备注或适用车型 Remarks Or Serial NO.
1	Q672-52-00	双钢丝式环箍 52 Clamp	2	
2	R450-600001-000	回油管 Hose	1	二联阀 2 SEC
2	R450-600004-000	回油管 Hose	1	三、四联阀 3 SEC, 4 SEC
3	R450-603000-000	支架 Bracket	1	
4	G0097P1-000008-00	垫圈 10 Washer	2	
5	G000093-000010-00	垫圈 10 Washer	2	
6	G005782-010040-00	螺栓 M10×40 Bolt	2	

第七部分 电气系统目录

Part VII Electrical system contents

- | | | | | |
|------------------|-------------------|--------------------------------|-------------------------------|-----------------------------|
| Ⓐ CPCD40/45-RG24 | Ⓑ CPCD50-RXG24 | Ⓑ ¹ CPCD50-RXG24-GW | Ⓒ CPC40/45-RG31 | Ⓓ CPC50-RXG24 |
| Ⓔ CPCD40/45-RW5 | Ⓕ CPCD50-RXW5 | Ⓖ CPYD40/45-RW17 | Ⓗ CPYD50-RXW17 | Ⓘ CPCD40/45-RW19 |
| Ⓙ CPCD50-RXW19 | Ⓚ CPQYD40/45-RW57 | Ⓛ CPQYD50-RXW57 | Ⓚ ¹ CPYD40/45-RW57 | Ⓛ ¹ CPYD50-RXW57 |
| | | Ⓞ CPCD40/45-RW35 | Ⓟ CPCD50-RXW35 | Ⓡ CPC45-RG34-S |
| Ⓢ CPYD40/45-RW24 | Ⓣ CPYD50-RXW24 | Ⓤ CPCD40/45-RG42 | Ⓥ CPCD50-RXG42 | Ⓦ CPC50-RXG42 |
| Ⓧ CPC45-RG43-S | Ⓨ CPC45-RG42-S | | | |

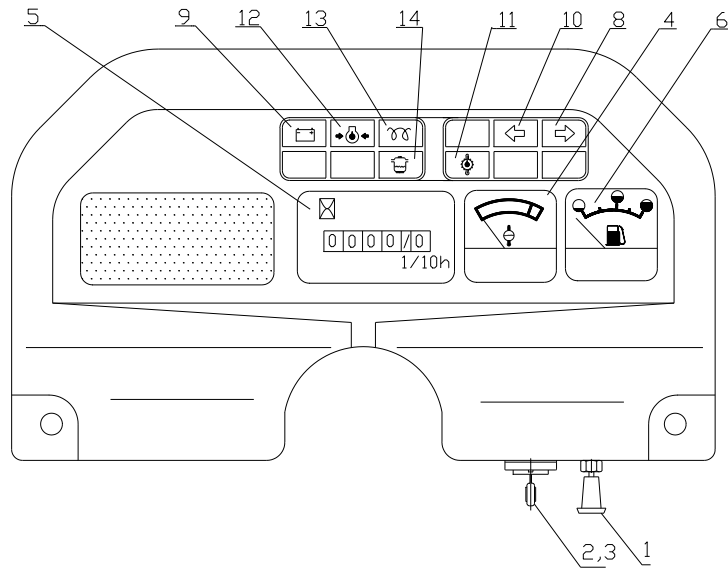
序号 Item	名称 Description	适用车型 Serial no.	页码 Page
图 I -1 Fig. I -1	仪表板总成 Instrument assy	(Ⓐ Ⓑ Ⓘ Ⓡ Ⓤ Ⓥ Ⓔ Ⓕ Ⓖ Ⓗ Ⓖ Ⓖ Ⓖ) Ⓒ Ⓓ Ⓡ Ⓦ Ⓧ Ⓨ	7-1
图 I -2 Fig. I -2	仪表板总成 Instrument assy	Ⓐ Ⓑ Ⓘ Ⓡ Ⓤ Ⓥ Ⓔ Ⓕ Ⓖ Ⓖ Ⓑ ¹ Ⓡ ₁ ≥2014-04-01	7-3
图 I -3 Fig. I -3	仪表板总成 Instrument assy	Ⓚ Ⓛ Ⓚ ¹ Ⓛ ¹ Ⓢ Ⓣ	7-5
图 II -1 Fig. II -1	转向灯开关总成 Steering lamp switch assy	Ⓒ Ⓓ Ⓡ Ⓦ Ⓧ Ⓨ 机械车, Mechanical Forklift	7-7
图 II -2 Fig. II -2	组合开关总成 Combination switch assy	除外 Except Ⓒ Ⓓ Ⓡ Ⓦ Ⓣ Ⓨ 液力车, Hydrodynamic Fork	7-8
图 III Fig. III	喇叭总成 Horn assy	全部车型 All models of truck	7-10
图 IV Fig. IV	前灯总成 Front lamps assy	全部车型 All models of truck	7-11
图 V Fig. V	后灯总成 Rear lamps assy	全部车型 All models of truck	7-13

序号 Item	名称 Description	适用车型 Serial no.	页码 Page
图VI Fig.VI	保险丝盒组件 Fuse box assy	全部车型 All models of truck	7-14
图VII Fig. VII	警灯 Warning lamp	全部车型 All models of truck	7-15
图VIII Fig. VIII	电源总开关总成 Power switch assy	选配 OPTIONAL	7-16
图 1 Fig.1	电气系统 Electrical system	Ⓐ Ⓑ Ⓒ Ⓓ Ⓔ Ⓕ	7-17
图 1-A Fig.1-A	继电器组件 Relay assy	Ⓒ Ⓓ	7-23
图 1-B Fig.1-B	继电器组件 Relay assy	Ⓐ Ⓑ Ⓔ Ⓕ	7-25
图 1-C Fig.1-C	预热器组件 Pre-heat assy	Ⓐ Ⓑ Ⓒ Ⓓ Ⓔ	7-27
图 1-D Fig.1-D	预热电器板总成 Pre-heat assy	Ⓔ Ⓕ	7-29
图 2 Fig.2	电气系统 Electrical system	Ⓚ Ⓛ ⓀⓁ ⓁⓁ Ⓢ Ⓣ	7-30
图 2-A Fig.2-A	继电器组件 Relay assy	Ⓚ Ⓛ ⓀⓁ ⓁⓁ Ⓢ Ⓣ	7-35
图 2-B Fig.2-B	继电器组件 Relay assy	ⓀⓁ ⓁⓁ	7-37
图 3 Fig.3	电气系统 Electrical system	Ⓔ Ⓕ	7-38
图 3-A Fig.3-A	电器板总成 Relay assy	Ⓔ Ⓕ	7-42
图 4 Fig.4	电气系统 Electrical system	Ⓒ Ⓓ Ⓜ Ⓝ Ⓞ	7-44
图 4-A Fig.4-A	继电器组件, 预热器组件 Relay assy, Pre-heat assy	Ⓒ Ⓝ	7-48

序号 Item	名称 Description	适用车型 Serial no.	页码 Page
图 4-B Fig.4-B	继电器组件 Relay assy	④	7-50
图 4-C Fig.4-C	继电器组件 Relay assy	④	7-51
图 4-D Fig.4-D	继电器组件, 预热器组件 Relay assy, Pre-heat assy	④ ⑤	7-52
图 5 Fig.5	电气系统 Electrical system	① ②	7-53
图 5-A Fig.5-A	继电器组件 Relay assy	① ②	7-57
图 5-B Fig.5-B	预热器组件 Pre-heat assy	① ②	7-59
图 6 Fig. 6	电气系统 Electrical system	③ ④	7-60
图 7 Fig. 7	电气系统 (CE) Electrical system (CE)	③ ④ 电换向 Electrical change direction	7-63
图 8 Fig. 8	电气系统 (CE) Electrical system (CE)	③ ④ 非电换向 Machinery change direction	7-67

图 I -1 仪表板总成
Fig. I -1 Instrument assy

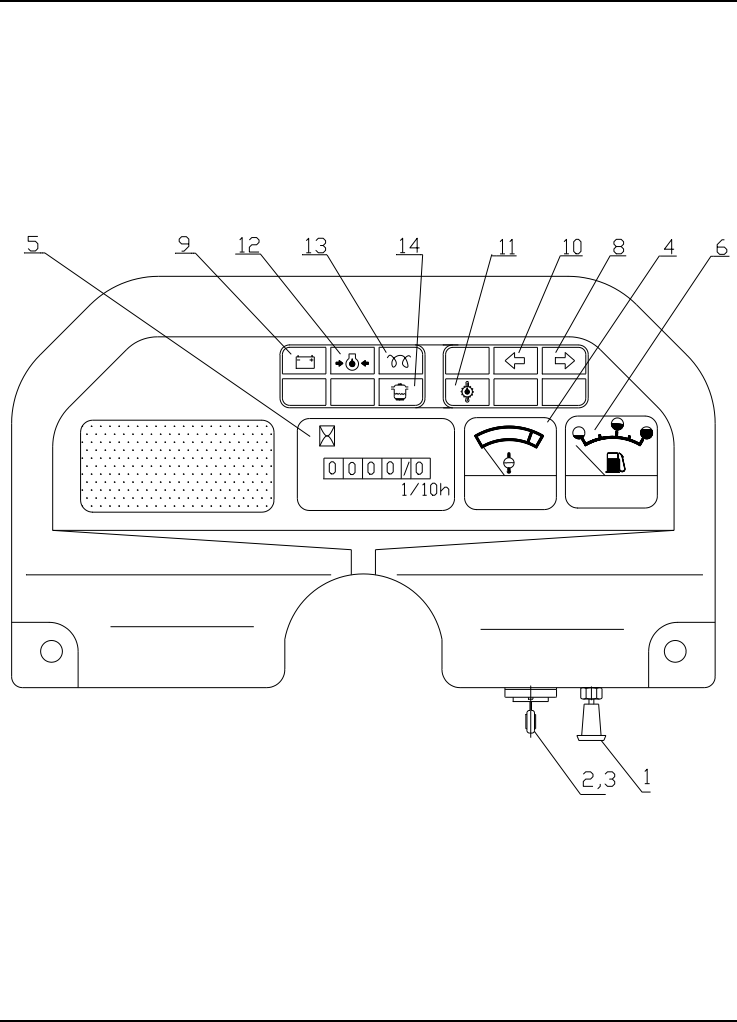
- | | | | |
|------------------|------------------|------------------|----------------|
| Ⓐ CPCD40/45-RG24 | Ⓑ CPCD50-RXG24 | Ⓒ CPC40/45-RG31 | Ⓓ CPC50-RXG24 |
| Ⓔ CPCD40/45-RW5 | Ⓕ CPCD50-RXW5 | Ⓖ CPYD40/45-RW17 | Ⓗ CPYD50-RXW17 |
| Ⓛ CPCD40/45-RW19 | Ⓜ CPCD50-RXW19 | Ⓢ CPCD40/45-RW35 | Ⓟ CPCD50-RXW35 |
| Ⓡ CPC45-RG34-S | Ⓤ CPCD40/45-RG42 | Ⓥ CPCD50-RXG42 | Ⓦ CPC50-RXG42 |
| Ⓧ CPC45-RG43-S | Ⓨ CPC45-RG42-S | | |



序号 Item	物料码 Part No.	名称 Description	数量 Qty	备注或适用车型 Remarks or Serial No.
A4	R450-740000-000	仪表板总成 Instrument assy	1	Ⓐ Ⓑ Ⓛ Ⓜ Ⓤ Ⓥ , <2014-04-01
A4	R454-720000-000	仪表板总成 Instrument assy	1	Ⓔ Ⓕ, <2014-04-01
A4	N163-740000-000	仪表板总成 Instrument assy	1	Ⓒ Ⓗ, <2014-04-01
A4	N163-740000-000	仪表板总成 Instrument assy	1	Ⓖ Ⓟ, <2014-04-01
A4	R450-740000-000	仪表板总成 Instrument assy	1	Ⓒ Ⓓ Ⓡ Ⓦ Ⓧ Ⓨ
1	N163-740100-000	大小灯开关 Warning lamp	1	
2	R450-740200-000	预热起动开关 Pre-heat & start switch	1	
2-1	NO PART NO.	锁头 Lock	1	
2-2	R450-740202-W00	钥匙 Key	1	
3	N163-740001-000	Label,preheat & start switch 预热起动开关标签	1	
4	DW-2HZA	水温表 Water temp gauge	1	
5	D-704-1E	计时表 Hour meter	1	

图 I -1 仪表板总成
Fig. I -1 Instrument assy

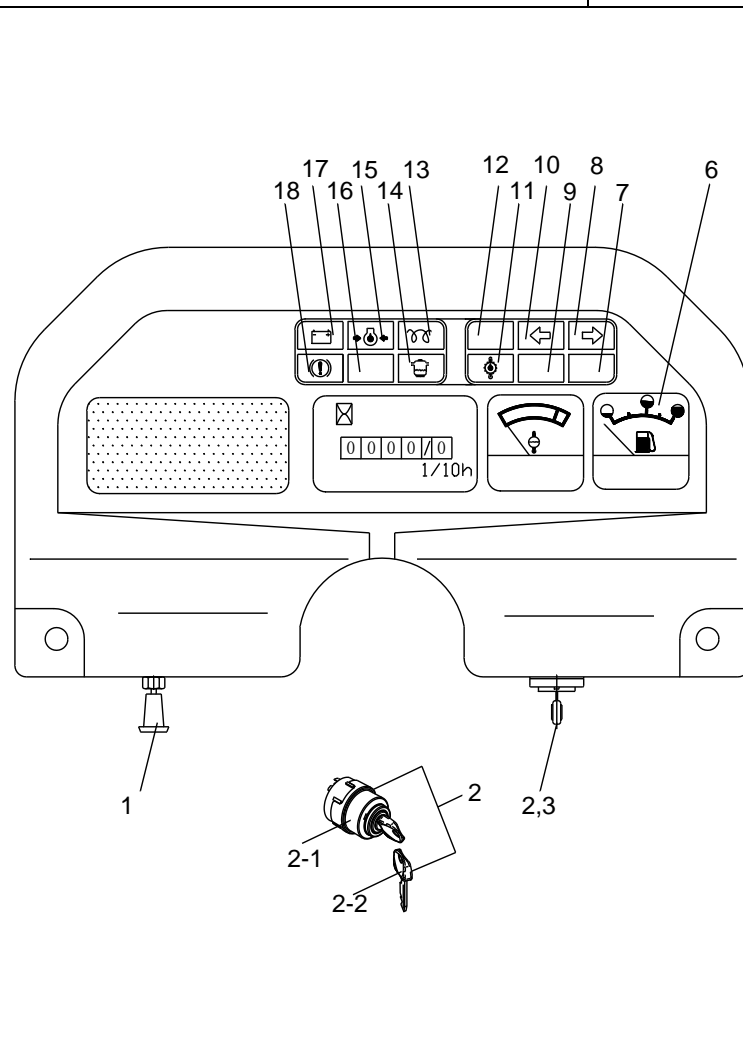
- | | | | |
|------------------|------------------|------------------|----------------|
| Ⓐ CPCD40/45-RG24 | Ⓑ CPCD50-RXG24 | Ⓒ CPC40/45-RG31 | Ⓓ CPC50-RXG24 |
| Ⓔ CPCD40/45-RW5 | Ⓕ CPCD50-RXW5 | Ⓖ CPYD40/45-RW17 | Ⓗ CPYD50-RXW17 |
| Ⓚ CPCD40/45-RW19 | Ⓛ CPCD50-RXW19 | Ⓞ CPCD40/45-RW35 | Ⓟ CPCD50-RXW35 |
| Ⓡ CPC45-RG34-S | Ⓢ CPCD40/45-RG42 | Ⓡ CPCD50-RXG42 | Ⓢ CPC50-RXG42 |
| Ⓝ CPC45-RG43-S | Ⓣ CPC45-RG42-S | | |



序号 Item	物料码 Part No.	名称 Description	数量 Qty	备注或适用车型 Remarks or Serial No.
6	DR-2HZ	油量表 Fuel gauge	1	
8	NO PART NO.	左转向指示灯 Left-turn signal lamp	1	
9	NO PART NO.		1	
10	NO PART NO.	右转向指示灯 right turn signal lamp	1	
11	NO PART NO.	油温报警灯 oil temp warning lamp	1	
12	NO PART NO.		1	
13	NO PART NO.	预热指示灯 preheat indicator lamp	1	
14	NO PART NO.	油水分离指示灯 indicator lamp, water-oil separation	1	
15	NO PART NO.	油压报警灯 hydraulic oil warning lamp	1	
16	NO PART NO.		1	
17	NO PART NO.	充电指示灯 Charging indicator	1	

图 I -2 仪表板总成
Fig. I -2 instrument assy

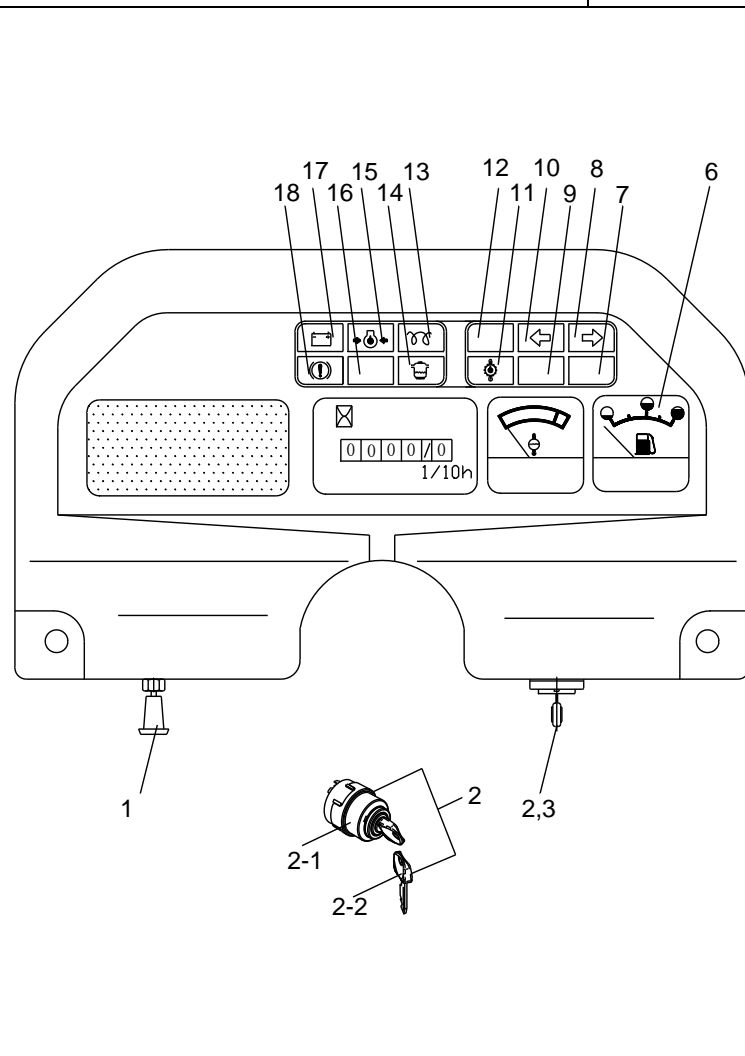
- ① CPCD40/45-RG24 ⑩ CPCD50-RXG24 ⑤ CPCD40/45-RW5 ⑦ CPCD50-RXW5
 ② CPCD40/45-RW19 ⑪ CPCD50-RXW19 ⑥ CPCD40/45-RW35 ⑧ CPCD50-RXW35
 ③ CPCD40/45-RG42 ⑫ CPCD50-RXG42 ④ CPCD50-RXG24-GW



序号 Item	物料码 Part No.	名称 Description	数量 Qty	备注或适用车型 Remarks or Serial No.
A1	GR501-720000-001	仪表板总成 Instrument assy	1	≥2014-04-01
1	JK106-G00	车灯开关 Warning lamp	1	≥2014-04-01
2	R450-740200-000	预热起动开关 Pre-heat & start switch	1	
2-1	NO PART NO.	锁头 Lock	1	
2-2	R450-740202-W00	钥匙 Key	1	
3	N163-740001-000	Label,preheat & start switch 预热起动开关标签	1	
4	DW-2HZA	水温表 Water temp gauge	1	
5	D-704-1E	计时表 Hour meter	1	
6	DR-2HZ	油量表 Fuel gauge	1	
7	NO PART NO.		1	
8	NO PART NO.	左转向指示灯 Left-turn signal lamp	1	
9	NO PART NO.			
10	NO PART NO.	右转向指示灯 right turn signal lamp	1	

图 I -2 仪表板总成
Fig. I -2 instrument assy

- Ⓐ CPCD40/45-RG24 Ⓑ CPCD50-RXG24 Ⓔ CPCD40/45-RW5 Ⓕ CPCD50-RXW5
 Ⓒ CPCD40/45-RW35 Ⓓ CPCD50-RXW35 Ⓖ CPCD40/45-RG42 Ⓖ CPCD50-RXG42
 Ⓑ CPCD50-RXG24-GW



序号 Item	物料码 Part No.	名称 Description	数量 Qty	备注或适用车型 Remarks or Serial No.
11	NO PART NO.	油温报警灯 oil temp warning lamp	1	
12	NO PART NO.			
13	NO PART NO.	预热指示灯 preheat indicator lamp	1	
14	NO PART NO.	油水分离指示灯 indicator lamp, water-oil separation	1	
15	NO PART NO.	油压报警灯 hydraulic oil warning lamp	1	
16	NO PART NO.			
17	NO PART NO.	Charging indicator 充电指示灯	1	
18	NO PART NO.	储能器报警指示灯 accumulator warning indicator	1	

图 I -3 仪表板总成
Fig. I -3 instrument assy

Ⓚ CPQYD40/45-RW57 Ⓛ CPQYD50-RXW57 ⓀⓁ CPYD40/45-RW57 ⓁⓁ CPYD50-RXW57
Ⓢ CPYD40/45-RW24 Ⓣ CPYD50-RXW24

序号 Item	物料码 Part No.	名称 Description	数量 Qty	备注或适用车型 Remarks or Serial No.
A2	R455-720000-000	仪表板总成 Instrument assy	1	Ⓚ Ⓛ ⓀⓁ ⓁⓁ , <2014-04-01
A2	GR512-720000-001	仪表板总成 Instrument assy	1	Ⓚ Ⓛ ⓀⓁ ⓁⓁ ≥2014-04-01
A3	R456-720000-000	仪表板总成 Instrument assy	1	Ⓢ Ⓣ, <2014-04-01
A3	R456-720000-002	仪表板总成 Instrument assy	1	Ⓢ Ⓣ, ≥2014-04-01
1	JK106-G00	车灯开关 lamp switch	1	≥2014-04-01
2	R450-740200-000	预热起动开关 Pre-heat & start switch	1	
2-1	NO PART NO.	锁头 Lock	1	
2-2	R450-740202-W00	钥匙 Key	1	
3	N163-740001-000	预热起动开关标签 label,preheat & start switch	1	
4	DW-2HZA	水温表 Water temp gauge	1	
5	D-704-1E	计时表 Hour meter	1	
6	DR-2HZ	油量表 Fuel gauge	1	
7	NO PART NO.	右转向指示灯 right turn signal lamp	1	

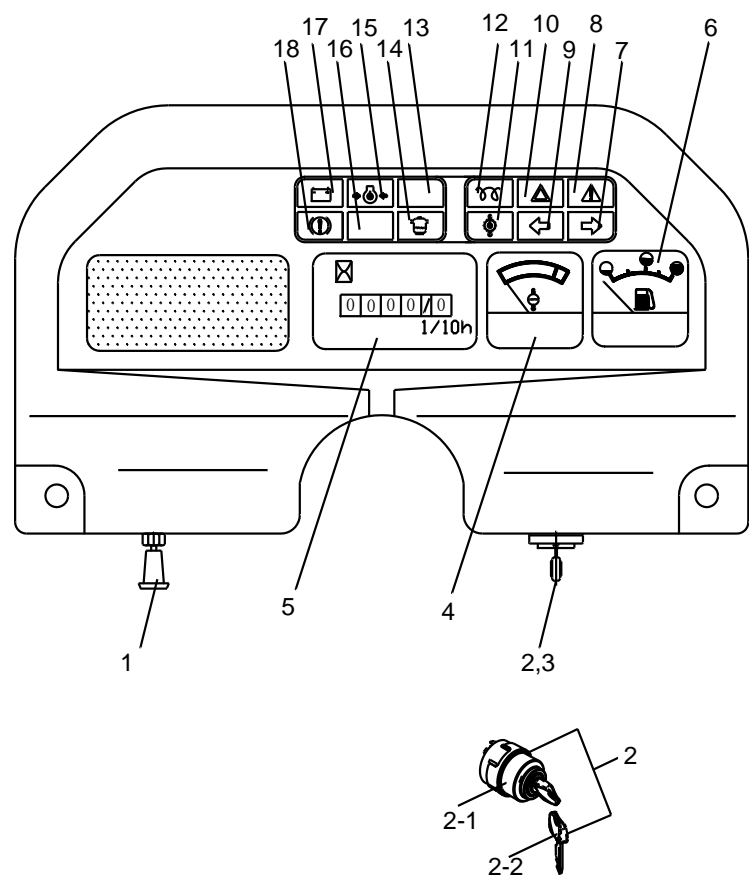


图 I -3 仪表板总成
Fig. I -3 instrument assy

Ⓚ CPQYD40/45-RW57 Ⓛ CPQYD50-RXW57 ⓀⓁ CPYD40/45-RW57 ⓁⓁ CPYD50-RXW57
 Ⓢ CPYD40/45-RW24 Ⓣ CPYD50-RXW24

序号 Item	物料码 Part No.	名称 Description	数量 Qty	备注或适用车型 Remarks or Serial No.
8	NO PART NO.	故障指示 fault indication lamp	1	
9	NO PART NO.	左转向指示灯 left turn signal lamp	1	
10	NO PART NO.	Serious warning lamp 严重警告指示灯	1	Ⓚ Ⓛ ⓀⓁ ⓁⓁ
10	NO PART NO.	Serious warning lamp 严重警告指示灯	1	Ⓢ Ⓣ Display check engine.
11	NO PART NO.	油温报警灯 oil temp warning lamp	1	
12	NO PART NO.	预热指示灯 preheat indicator lamp	1	
13	NO PART NO.			
14	NO PART NO.	油水分离指示灯 indicator lamp, water-oil separation	1	
15	NO PART NO.	油压报警灯 hydraulic oil warning lamp	1	
16	NO PART NO.			
17	NO PART NO.	充电指示灯 charging indicator	1	
18	NO PART NO.	储能器报警指示灯 accumulator warning indicator	1	

图 II-2 组合开关总成
Fig. II-2 Combination switch assy

液力车, Hydrodynamic Fork

序号 Item	物料码 Part No.	名称 Description	数量 Qty	备注或适用车型 Remarks or Serial No.
A	GR501-703000-000	组合开关 combination switch assy	1	除外 Except Ⓒ Ⓓ Ⓔ Ⓕ Ⓖ
1	NO PART NO.	大小光手柄盖 Cover	1	不单独提供 Do not supply Separately
2	NO PART NO.	大小光压紧帽 Cap	1	
3	NO PART NO.	大小光三触点 Comtactor	1	
4	NO PART NO.	大小光主轴铁杆 Level	1	
5	NO PART NO.	大小光手柄 Knob	1	
6	NO PART NO.	橡胶防尘罩 Dust proof cover	1	
7	NO PART NO.	反抱箍 Clamp	1	
8	NO PART NO.	连接片 Bracket	1	
9	NO PART NO.	喇叭触点 Horn	1	
10	NO PART NO.	主体中套 Bush	1	
11	NO PART NO.	转向插头 Connector	1	
12	NO PART NO.	喇叭插头 Horn cable	1	
13	NO PART NO.	方向插座 Direction cable	1	

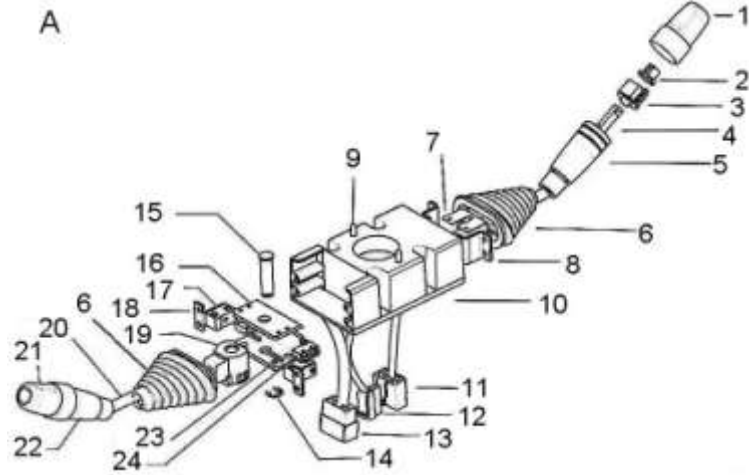
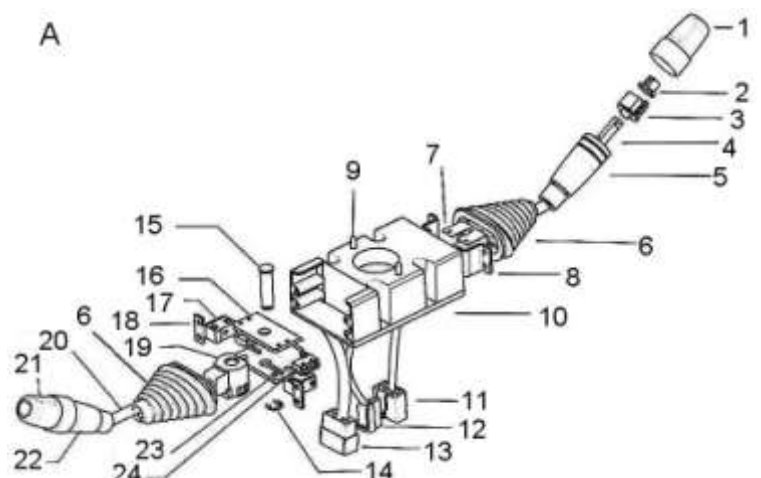


图 II-2 组合开关总成
Fig. II-2 Combination switch assy

液力车, Hydrodynamic Fork

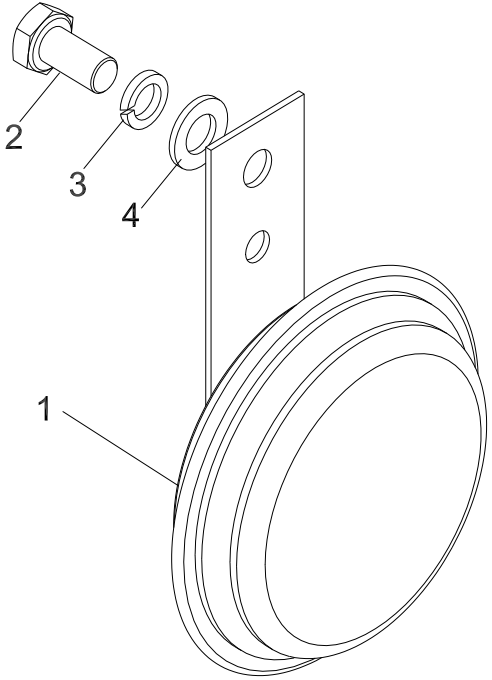
序号 Item	物料码 Part No.	名称 Description	数量 Qty	备注或适用车型 Remarks or Serial No.	
14	NO PART NO.	卡簧 Snap ring	1		
15	NO PART NO.	微动开关主轴 Micro switch shaft	1		
16	NO PART NO.	支架 Bracket	1		
17	NO PART NO.	限位块 Bush	1		
18	NO PART NO.	压紧块 Block	1		
19	NO PART NO.	转头 Round pole	1	不单独提供 Do not supply Separately	
20	NO PART NO.	连接铁杆 Linker	1		
21	NO PART NO.	换向手柄盖 Cover	1		
22	NO PART NO.	换向手柄 Direction knob	1		
23	NO PART NO.	弹簧 Spring	1		
24	NO PART NO.	微动开关 Micro switch	1		



图III 喇叭总成
Fig.III Horn assy

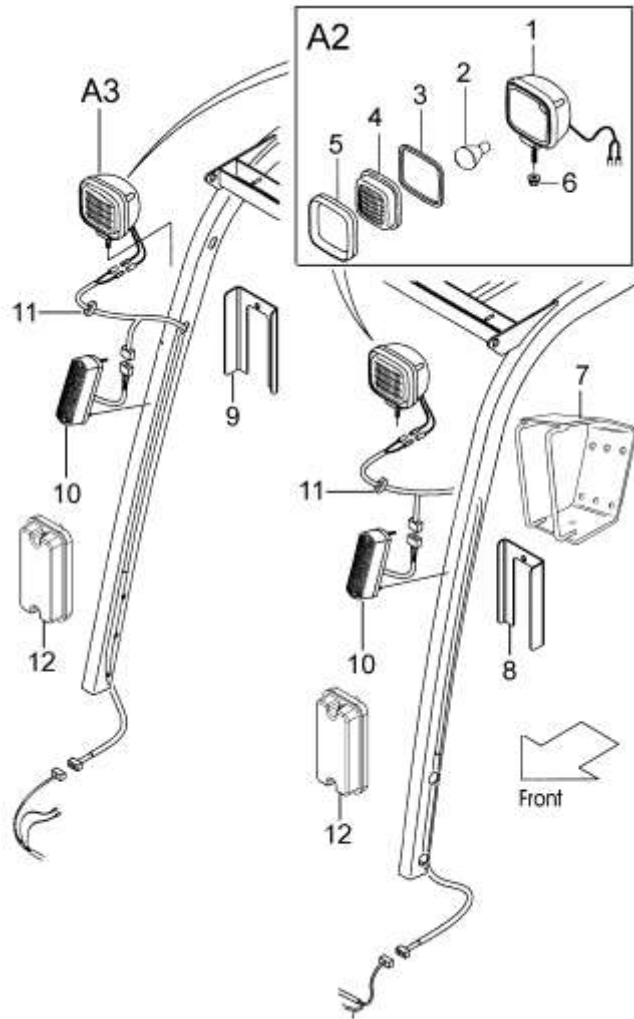
全部车型
All models of truck

序号 Item	物料码 Part No.	名称 Description	数量 Qty	备注或适用车型 Remarks or Serial No.
1	R450-700200-000	喇叭 24V Horn 24V	1	除外 Except Ⓚ Ⓛ Ⓚ① Ⓛ① Ⓢ Ⓣ
1	N163-700009-000	喇叭 12V Horn 12v	1	Ⓚ Ⓛ Ⓚ① Ⓛ① Ⓢ Ⓣ
2	G0029P2-008016-00	螺栓 M8×16 Bolt M8×16	1	
3	G000093-000008-00	弹垫 8 Spring 8	1	
4	G0097P1-000008-00	平垫 8 Washer 8	1	



图IV 前灯总成
Fig.IV Front lamps assy

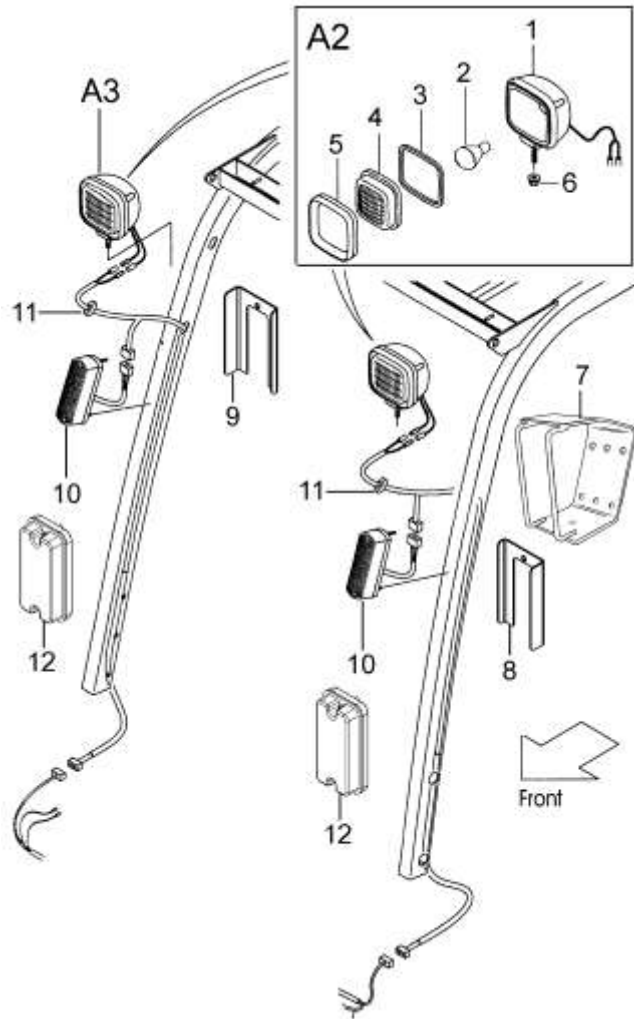
全部车型
All models of truck



序号 Item	物料码 Part No.	名称 Description	数量 Qty	备注或适用车型 Remarks or Serial No.
A2	GR501-740100-000	前大灯 24V Head lamp 24V	2	包含 INC:1-6, 柴油机 Diesel engine
A2	GR505-740100-000	前大灯 12V Head lamp 12V	2	包含 INC:1-6 柴油机除外 Except Diesel engine
A3	R450-760100-510	前大灯 24V, LED Head lamp 24V, LED	2	柴油机 Diesel engine 选配 Optional
1	NO PART NO.	灯壳 Body	2	<2014-04-01
2	H3-24V-35W	灯泡 24V Bubble 24V	2	<2014-04-01 柴油机 Diesel engine
2	H3-12V-35W	灯泡 12V Bubble 12V	2	<2014-04-01, 柴油机除外 Except Diesel engine
3	NO PART NO.	密封圈 Seal	2	<2014-04-01
4	NO PART NO.	玻璃罩 Glass	2	<2014-04-01
5	NO PART NO.	罩壳 Cover	2	<2014-04-01
6	NO PART NO.	螺母 Nut	2	<2014-04-01
7	R960-761000-000	前大灯灯架 Head lamp bracket	2	
8	N163-750001-000	前小灯灯架,左 Front lamps bracket, left	1	
9	N163-750002-000	前小灯灯架,右 Front lamps bracket, Right	1	

图IV 前灯总成
Fig.IV Front lamps assy

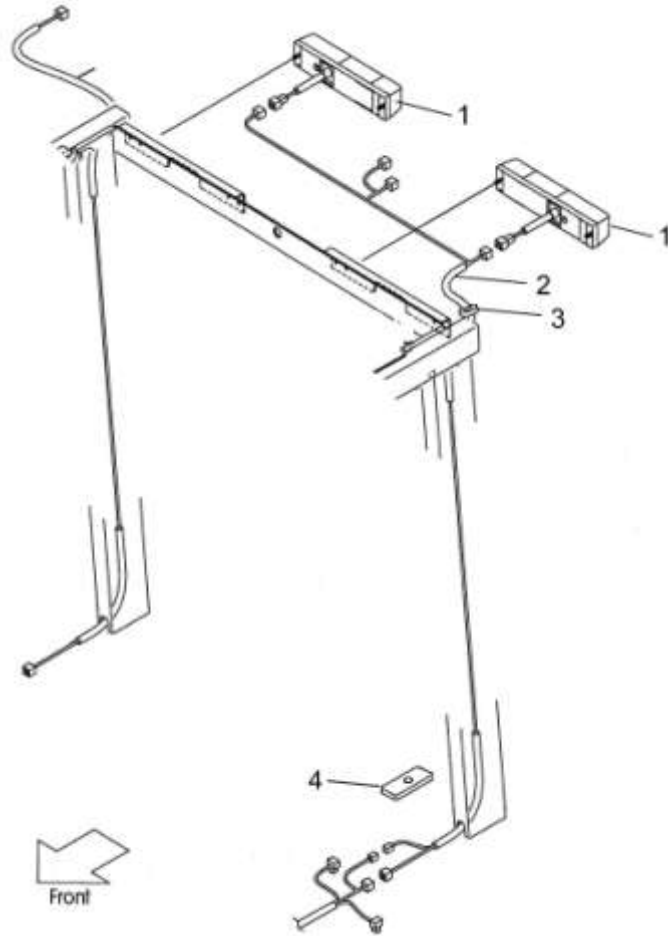
全部车型
All models of truck



序号 Item	物料码 Part No.	名称 Description	数量 Qty	备注或适用车型 Remarks or Serial No.
10	GR501-730100-000	前小灯 24V Front lamps 24V	2	<2014-04-01 柴油机 Diesel engine
10	GR505-730100-000	前小灯 12V Front lamps 12V	2	<2014-04-01,柴油机除外 Except Diesel engine
11	N163-700002-000	前灯线护套 Front lamp wire sheath	2	
12	GR501-730100-002	LED 前小灯 9V~32V LED Front lamps	2	≥2014-04-01

图V 后灯总成
Fig.V Rear lamps assy

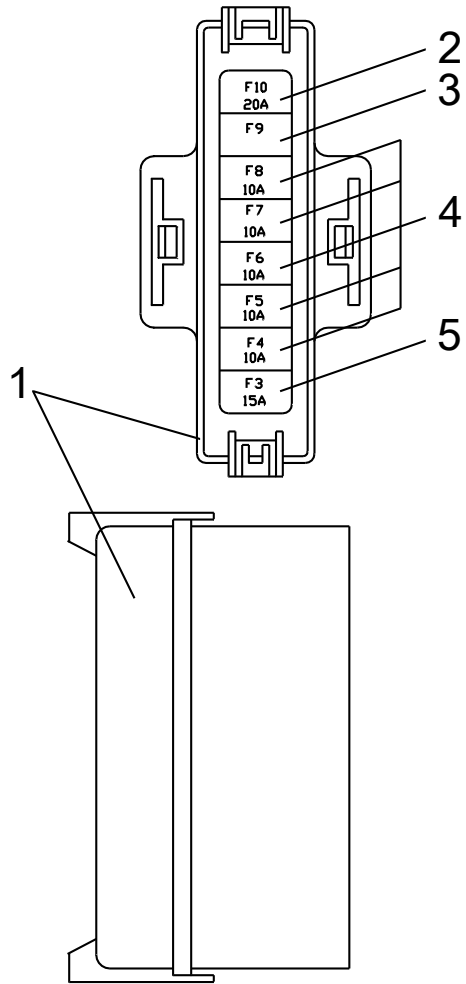
全部车型
All models of truck



序号 Item	物料码 Part No.	名称 Description	数量 Qty	备注或适用车型 Remarks or Serial No.
1	GR501-750100-002	后灯 LED Rear lamps LED	2	≥2014-04-01 柴油机 Diesel engine
1	R455-771000-000	后灯 LED Rear lamps LED	2	≥2014-04-01 柴油机除外 Except Diesel engine
2	R450-773000-000	Wire-harness, overhead guard 后灯连接线	1	除外 Except CPCD50-RXG24-GW
2	GW480-771000-002	Wire-harness, overhead guard 后灯连接线	1	CPCD50-RXG24-GW
3	RC250-700001-000	橡胶塞 Rubber plug	2	
4	N163-700005-000	后灯线护套 rear lamp wire sheath	1	
5	GR501-750100-000	左后灯 24V Left rear lamps, 24V	1	<2014-04-01 柴油机 Diesel engine
5	GR505-750100-000	左后灯 12V Left rear lamps, 12V	1	<2014-04-01, 柴油机除外 Except Diesel engine
6	GR501-750200-000	右后灯 24V Right rear lamps 24V	1	<2014-04-01 柴油机 Diesel engine
6	GR505-750200-000	右后灯 12V Right rear lamps, 12V	1	<2014-04-01, 柴油机除外 Except Diesel engine

图VI 保险丝盒组件
Fig.VI Fuse box assy

全部车型
All models of truck



序号 Item	物料码 Part No.	名称 Description	数量 Qty	备注或适用车型 Remarks or Serial No.
A1	N163-704000-820	保险丝盒组件 Fuse box assy	1	除外 Except ⓐ ⓑ ⓓ ⓔ ⓖ ⓗ ⓘ ⓙ ⓐ ⓑ INC:1-5
A2	R457-704000-820	保险丝盒组件 Fuse box assy	1	ⓐ ⓑ INC:1-5
A3	N163-704000-000	保险丝盒组件 Fuse box assy	1	ⓐ ⓑ ⓓ ⓔ ⓖ ⓘ ⓙ INC:1-5
1	NO PART NO.	保险丝盒 Fuse box	1	
2	0257020-FUSE	保险丝20A Fuse 20A	1	
3	0257010-FUSE	保险丝10A Fuse 10A	1	除外 Except ⓐ ⓑ
3	0257005-FUSE	保险丝5A Fuse 5A	1	ⓐ ⓑ
4	0257010-FUSE	保险丝10A Fuse 10A	5	
5	0257015-FUSE	保险丝15A Fuse 15A	1	

图Ⅷ 电源总开关总成
FIG.Ⅷ POWER MASTER SWITCH ASSY

选配 OPTIONAL

序号 Item	物料码 Part No.	名称 Description	数量 Qty	备注或适用车型 Remarks or Serial No.
A1	R450-705000-500	电源总开关总成 Power master switch assy	1	除外 Except ⑤ ⑥
1	ED250B-1-G00	紧急断电开关 Disconnect switch	1	除外 Except ⑤ ⑥
2	R457-700100-500	蓄电池接电源开关线 Wire	1	除外 Except ⑤ ⑥
3	R457-700200-820	起动机正电源线 Wire	1	除外 Except ⑤ ⑥
A1	R454-705000-500	电源总开关总成 Power master switch assy	1	⑤ ⑥
1	ED250B-1-G00	紧急断电开关 Disconnect switch	1	⑤ ⑥
2	R454-700100-500	蓄电池接电源开关线 Wire	1	⑤ ⑥
3	R454-700200-500	起动机正电源线 Wire	1	⑤ ⑥

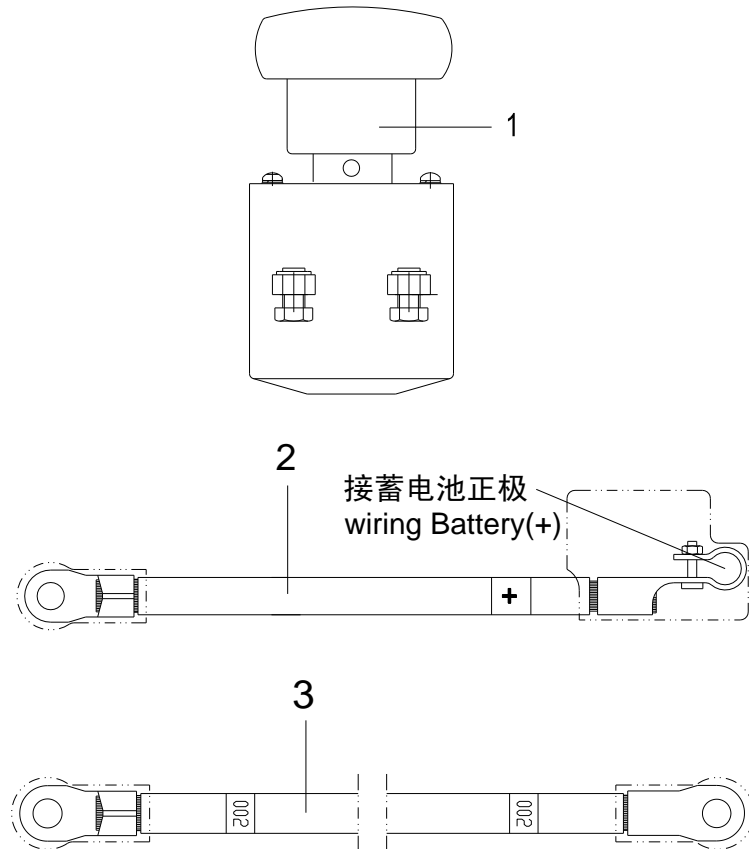


图 1 电气系统
Fig.1 Electrical system

- | | | | |
|------------------|----------------|-------------------|----------------|
| Ⓐ CPCD40/45-RG24 | Ⓑ CPCD50-RXG24 | Ⓞ CPCD40/45-RW35 | Ⓟ CPCD50-RXW35 |
| Ⓤ CPCD40/45-RG42 | Ⓥ CPCD50-RXG42 | ⓑ CPCD50-RXG24-GW | |

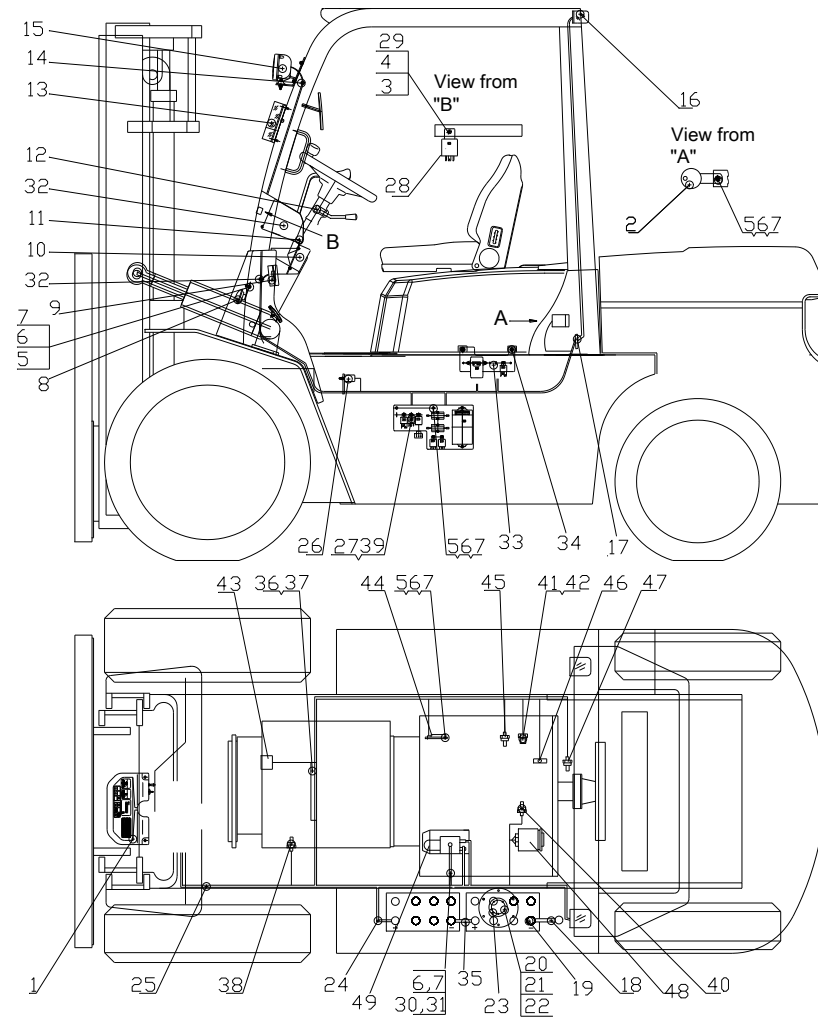
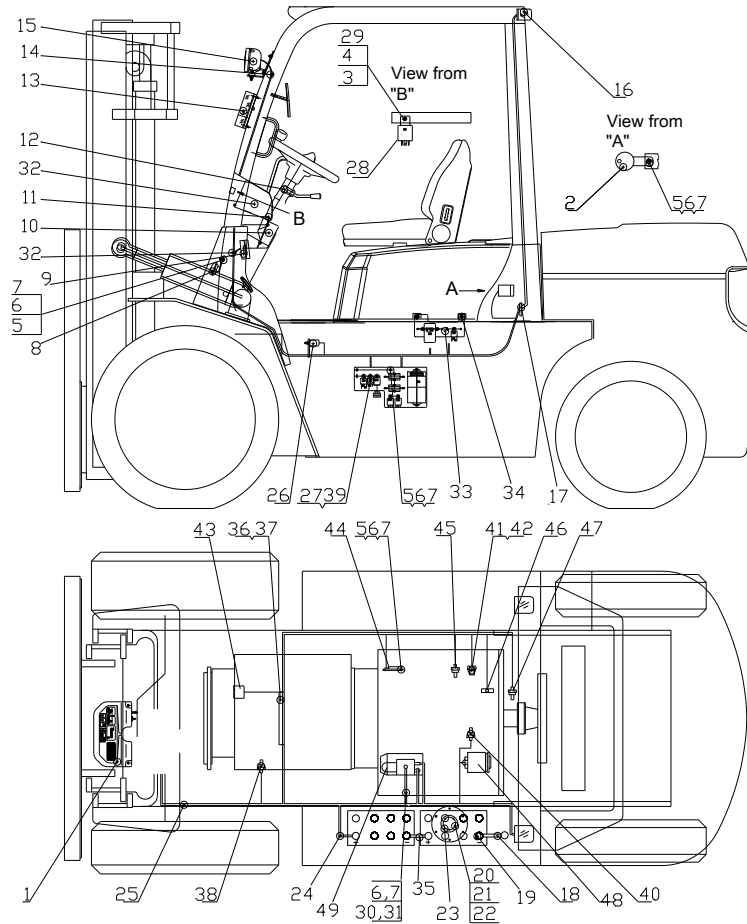


图 1 电气系统
Fig.1 Electrical system

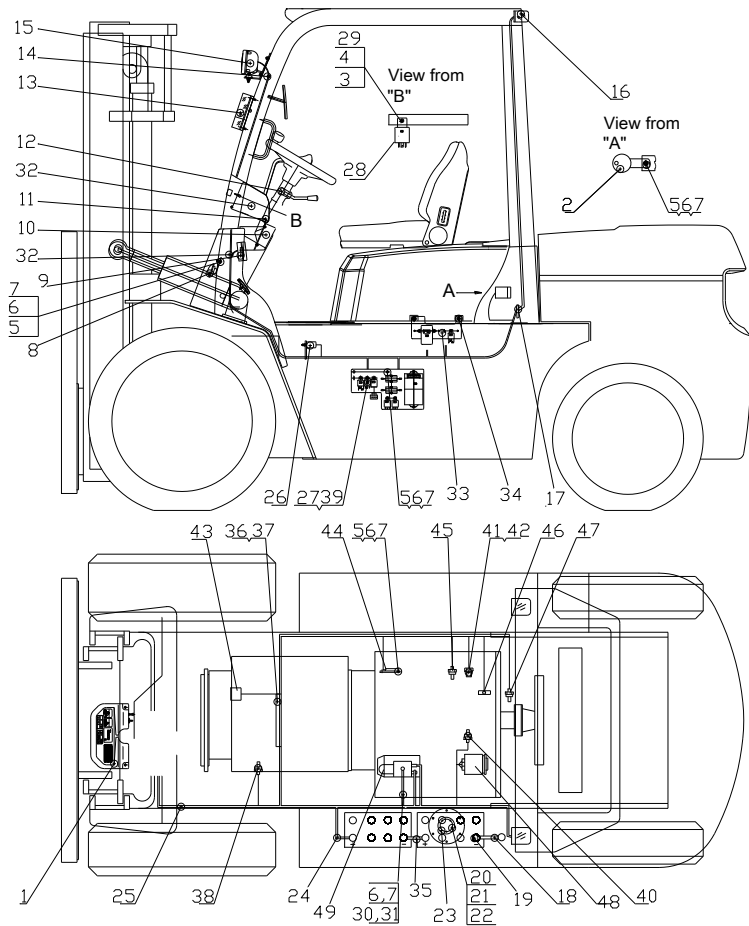
Ⓐ CPCD40/45-RG24 Ⓑ CPCD50-RXG24 Ⓒ CPCD40/45-RW35 Ⓓ CPCD50-RXW35
 Ⓔ CPCD40/45-RG42 Ⓕ CPCD50-RXG42 Ⓖ CPCD50-RXG24-GW



序号 Item	物料码 Part No.	名称 Description	数量 Qty	备注或适用车型 Remarks or Serial No.
1		仪表板总成 Instrument assy	1	见图 I See Fig. I
2	DJB-24B-G00	倒车报警器 Buzzer,back	1	
3	G000093-000006-00	垫圈 6 Washer 6	1	
4	G0097P1-000006-00	垫圈 6 Washer 6	1	
5	G0029P2-008016-00	螺栓M8×16 Bolt M8×16	8	
6	G000093-000008-00	垫圈 8 Washer 8	9	
7	G0097P1-000008-00	垫圈 8 Washer 8	9	
8		喇叭 Horn	1	见图III See Fig.III
9		保险丝盒组件 Fuse box assy	1	见图VI See Fig.VI
10	N163-700001-000	仪表板围板 Dashboard panels	1	
11	N163-420100-000	螺钉组件 Screw components	7	
12		组合开关总成 combination switchassy	1	见图 II -2 See Fig. II-2
13		前小灯总成 front lamp-assy, side	1	见图IV See Fig. IV
14		前灯线护套 front lamp wire sheath	2	见图IV See Fig. IV
15		前大灯总成front lamp-assy,head	2	见图IV See Fig. IV

图 1 电气系统
Fig.1 Electrical system

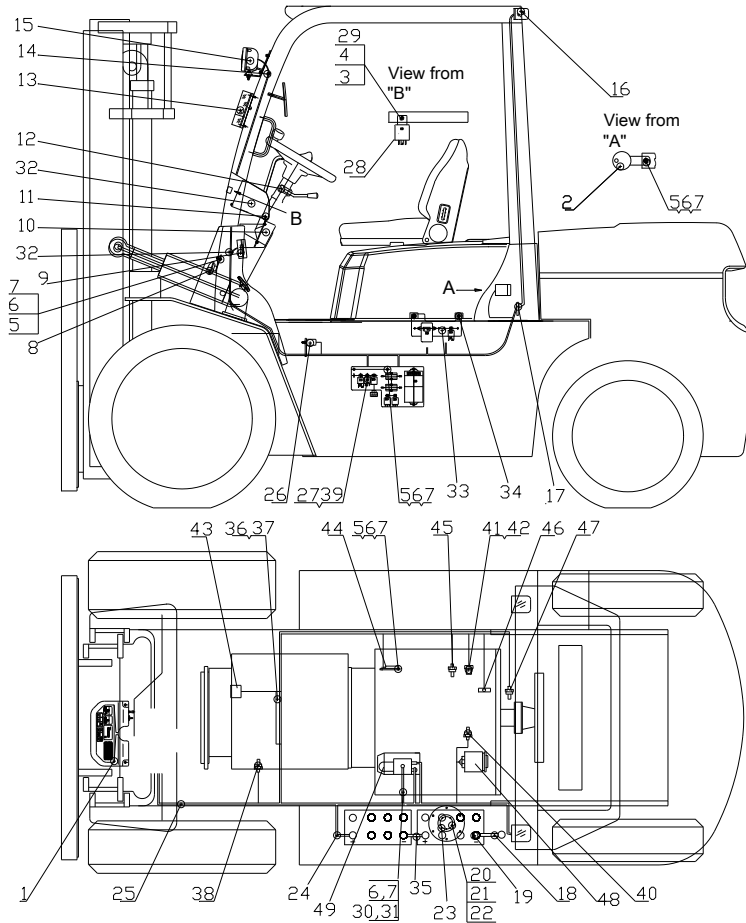
Ⓐ CPCD40/45-RG24 Ⓑ CPCD50-RXG24 Ⓒ CPCD40/45-RW35 Ⓓ CPCD50-RXW35
 Ⓤ CPCD40/45-RG42 Ⓥ CPCD50-RXG42 Ⓟ CPCD50-RXG24-GW



序号 Item	物料码 Part No.	名称 Description	数量 Qty	备注或适用车型 Remarks or Serial No.
16		后灯总成 Rear lamp-assy	1	见图 V See Fig. V
17	N163-700005-000	后灯线护套 rear lamp wire sheath	1	
18	N163-700200-820	蓄电池负极引线 Cable, battery(-)	1	N163-700200-000
19	R840-700001-000	少维护蓄电池 battery, Low-maintenance	2	12V 60AH Ⓐ Ⓑ Ⓟ
19	R960-700002-000	少维护蓄电池 battery, Low-maintenance	2	12V 90AH Ⓒ Ⓓ Ⓤ Ⓥ
20	G000093-000005-00	垫圈 5 Washer 5	5	
21	G000067-005012-00	螺钉 m5×12 Screw m5×12	5	
22	G0097P1-000006-00	垫圈 5 Washer 5	5	
23	R450-700100-000	油量传感器 Fuel sensor	1	
24	R457-700100-000	蓄电池正极引线 Cable, battery(+)	1	
25	R450-710000-000	车身主线束 Main wire-harness	1	Ⓐ Ⓑ Ⓟ, <2014-04-01
25	R450-710000-002	车身主线束 Main wire-harness	1	Ⓐ Ⓑ Ⓟ, ≥2014-04-01
25	R457-710000-000	车身主线束 Main wire-harness	1	Ⓒ Ⓓ, <2014-04-01
25	R457-710000-002	车身主线束 Main wire-harness	1	Ⓒ Ⓓ, ≥2014-04-01
25	R459-710000-000	车身主线束 Main wire-harness	1	Ⓤ Ⓥ, <2014-04-01

图1 电气系统
Fig.1 Electrical system

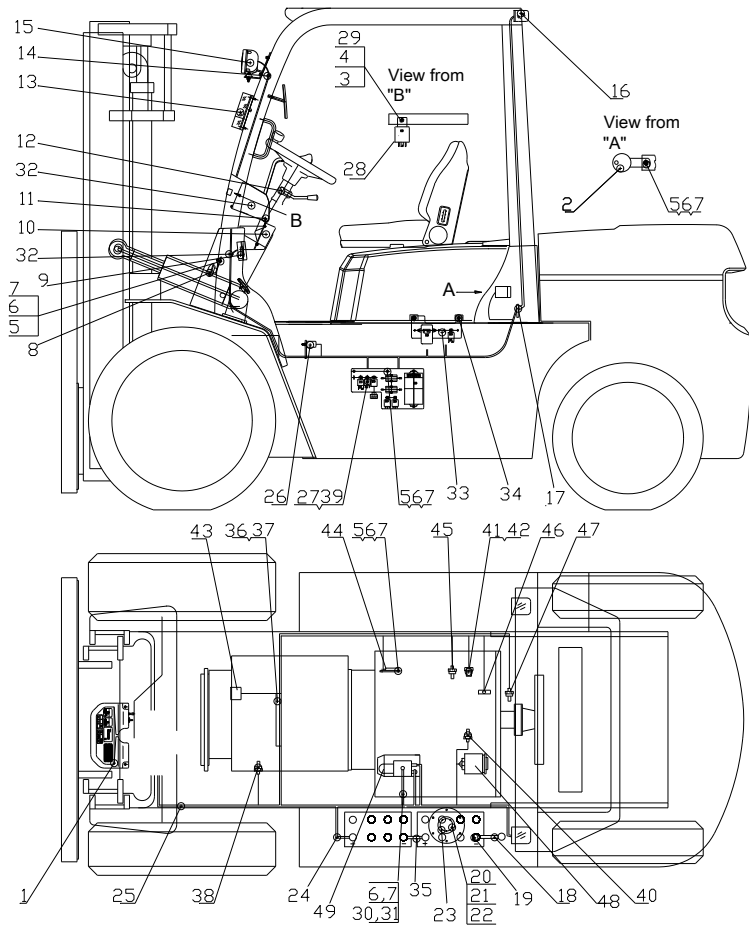
Ⓐ CPCD40/45-RG24 Ⓑ CPCD50-RXG24 Ⓒ CPCD40/45-RW35 Ⓓ CPCD50-RXW35
 Ⓤ CPCD40/45-RG42 Ⓥ CPCD50-RXG42 Ⓟ CPCD50-RXG24-GW



序号 Item	物料码 Part No.	名称 Description	数量 Qty	备注或适用车型 Remarks or Serial No.
25	R459-710000-002	车身主线束 Main wire-harness	1	Ⓤ Ⓥ, ≥2014-04-01
25	GW480-710000-000	车身主线束 Main wire-harness	1	Ⓟ, <2014-04-01
25	GW480-710000-002	车身主线束 Main wire-harness	1	Ⓟ, ≥2014-04-01
26	N163-700600-000	制动灯开关 Brake lamp switch	1	
27	R457-701000-000	继电器组件 Relay assy	1	Ⓒ Ⓓ, <2014-04-01 见图 1-A, See Fig.1-A
27	R457-701000-840	继电器组件 Relay assy	1	Ⓒ Ⓓ, ≥2014-04-01 见图 1-A, See Fig.1-A
27	R450-701000-000	继电器组件 Relay assy	1	Ⓐ Ⓑ Ⓤ Ⓥ Ⓟ See Fig.1-B, <2014-04-01
27	R450-701000-002	继电器组件 Relay assy	1	Ⓐ Ⓑ Ⓤ Ⓥ Ⓟ See Fig.1-B, ≥2014-04-01
28	GR502-700010-820	通用继电器 Relay	1	
29	G000818-006012-00	螺钉m6×12 Screw m6×12	1	
30	R960-700300-820	起动机接地线 ground wire,starter	1	
31	G006170-000008-00	螺母 M8 Bolt M8	1	
32	ZD122x8-G00	扎带 Ties	4	
33	R441-701000-000	预热器组件 Pre-heat assy	1	Ⓒ Ⓓ <2014-04-01 见图 1-C, See Fig.1-C
33	R441-701000-820	预热器组件 Pre-heat assy	1	Ⓐ Ⓑ Ⓒ Ⓓ Ⓟ See Fig.1-C, ≥2014-04-01

图1 电气系统
Fig.1 Electrical system

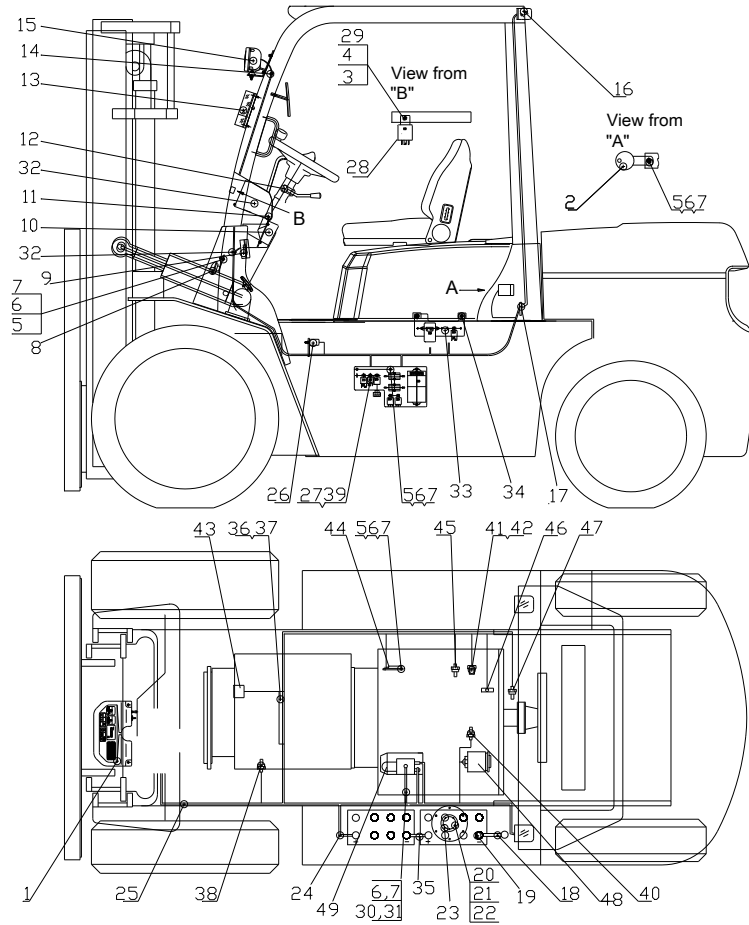
Ⓐ CPCD40/45-RG24 Ⓑ CPCD50-RXG24 Ⓒ CPCD40/45-RW35 Ⓓ CPCD50-RXW35
 Ⓤ CPCD40/45-RG42 Ⓥ CPCD50-RXG42 Ⓟ CPCD50-RXG24-GW



序号 Item	物料码 Part No.	名称 Description	数量 Qty	备注或适用车型 Remarks or Serial No.
33	R454-701000-001	预热电器板总成 pre-heat assy	1	Ⓤ Ⓥ, <2014-04-01 见图 1-D, See Fig.1-D
33	R459-701000-002	预热电器板总成 pre-heat assy	1	Ⓤ Ⓥ, ≥2014-04-01 见图 1-D, See Fig.1-D
34	G907417-008025-00	螺栓组合件M8×25 Bolt assy M8×25	2	
35	40DH-704000-820	蓄电池串联电线 cable, battery(+)--battery(-)	1	
36	H510-702000-000	线束支架 Cable bracket	1	Ⓒ Ⓓ
36	R450-702000-000	线束支架 Cable bracket	1	Ⓐ Ⓑ Ⓤ Ⓥ Ⓟ
37	PKD-180-G00	捆线带 Ties	2	
38	SC601-700009-001	油温报警器 Fuel temp alarm	1	
39	R960-700002-820	标签 Lable	1	
40	R457-700001-001	水温传感器 Water temp sensor	1	Ⓒ Ⓓ
40	GR504-700001-000	水温传感器 Water temp sensor	1	Ⓐ Ⓑ Ⓤ Ⓥ Ⓟ
41	R457-700002-001	油压报警器 Hydraulic oil alarm	1	Ⓒ Ⓓ
41	GR713-700002-000	油压报警器 Hydraulic oil alarm	1	Ⓤ Ⓥ
41	GR504-700002-000	油压报警器 Hydraulic oil alarm	1	Ⓐ Ⓑ Ⓟ
42	R457-700003-001	Hydraulic oil reducer union 油 压传感器过渡接头	1	Ⓒ Ⓓ

图 1 电气系统
Fig.1 Electrical system

Ⓐ CPCD40/45-RG24 Ⓑ CPCD50-RXG24 Ⓒ CPCD40/45-RW35 Ⓓ CPCD50-RXW35
 Ⓤ CPCD40/45-RG42 Ⓥ CPCD50-RXG42 Ⓜ CPCD50-RXG24-GW



序号 Item	物料码 Part No.	名称 Description	数量 Qty	备注或适用车型 Remarks or Serial No.
43		电磁阀 Electromagnetic reversing valves	1	见第一部分 变速箱 See Part I gearbox
44		Voltage regulator 电压调节器	1	Ⓒ Ⓓ 发动机配 Supply by engine
45		Fuel disconnecting switch 电熄火开关	1	Ⓒ Ⓓ 发动机配 Supply by engine
46		预热塞 Pre-heat plug	1	发动机配 Supply by engine
47		冷启动温度开关 Low temp start switch	1	Ⓒ Ⓓ 发动机配 Supply by engine
48		发电机 Alternator	1	发动机配 Supply by engine
49		起动机 Starter	1	发动机配 Supply by engine
50	R479-730000-000	预热线束 Pre-heat harness	1	Ⓤ Ⓥ

图 1-A 继电器组件
Fig.1-A Relay assy

© CPCD40/45-RW35 © CPCD50-RXW35

序号 Item	物料码 Part No.	名称 Description	数量 Qty	备注或适用车型 Remarks or Serial No.
A1	R457-701000-000	继电器组件 Relay assy	1	© (P), <2014-04-01
1	R457-701100-000	继电器支架 Relay bracket	1	
2	G006170-000006-00	螺母 M6 Nut M6	4	
3	G000093-000006-00	垫圈 6 Gasket 6	4	
4	G0097P1-000006-00	垫圈 6 Gasket 6	4	
5	JD295-G00	预热继电器 Preheat relay	1	
6	JD296-G00	通用继电器 General-purpose relay	1	
7	GR501-701200-000	电子闪光器 Flasher	1	
8	G006170-000005-00	螺母 M5 Nut M5	4	
9	G000093-000005-00	垫圈 5 Gasket 5	4	
10		电阻 Resistance	2	发动机配 Supply by engine
A2	R457-701000-840	继电器组件 Relay assy	1	© (P), ≥2014-04-01
1	R457-701100-500	继电器支架 Relay bracket	1	
2	G006170-000006-00	螺母 M6 Nut M6	6	
3	G000093-000006-00	垫圈 6 Gasket 6	6	

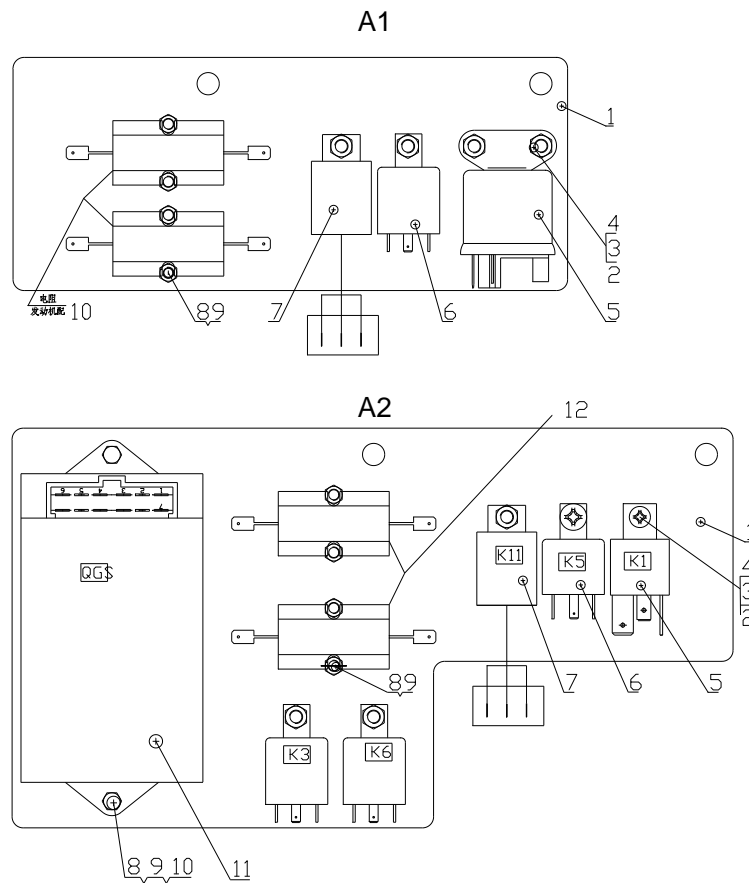


图 1-A 继电器组件
Fig.1-A Relay assy

© CPCD40/45-RW35 © CPCD50-RXW35

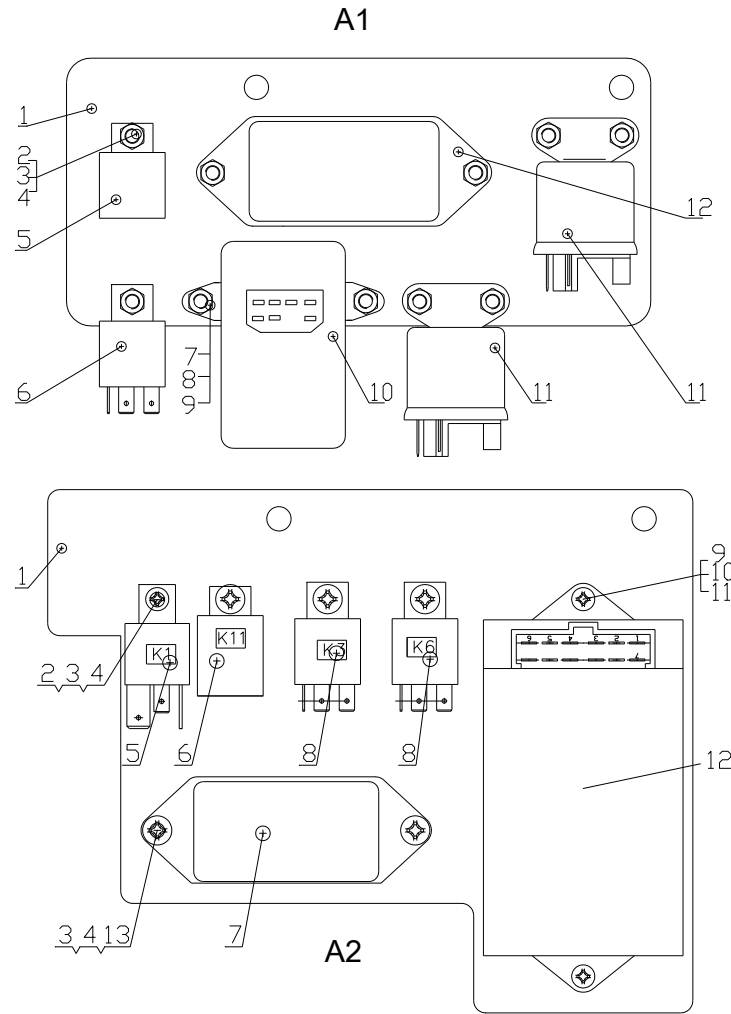
序号 Item	物料码 Part No.	名称 Description	数量 Qty	备注或适用车型 Remarks or Serial No.
4	G0097P1-000006-00	垫圈 6 Gasket 6	6	
5	R457-700020-820	预热继电器 Preheat relay	1	
6	GR502-700010-820	通用继电器 General-purpose relay	3	
7	GR501-701200-000	电子闪光器 Flasher	1	
8	G006170-000005-00	螺母 M5 Nut M5	6	
9	G000093-000005-000	垫圈 5 Gasket 5	6	
10	G0097P1-000005-00	垫圈 5 Gasket 5	2	
11	H48C2-40601-G00	控制盒 Control box	1	
12		电阻 Resistance	2	发动机配 Supply by engine

图 1-B 继电器组件
Fig.1-B Relay assy

Ⓐ CPCD40/45-RG24
Ⓤ CPCD40/45-RG42

Ⓑ CPCD50-RXG24
Ⓥ CPCD50-RXG42

Ⓑ1 CPCD50-RXG24-GW



序号 Item	物料码 Part No.	名称 Description	数量 Qty	备注或适用车型 Remarks or Serial No.
A1	R450-701000-000	继电器组件 Relay assy	1	Ⓐ Ⓑ Ⓤ Ⓥ Ⓑ1 <2014-04-01
1	R450-701100-510	继电器支架 Relay bracket	1	
2	G006170-000006-00	螺母 M6 Nut M6	8	
3	G000093-000006-00	垫圈 6 Gasket 6	8	
4	G0097P1-000006-00	垫圈 6 Gasket 6	8	
5	GR501-701200-000	电子闪光灯 Flasher	1	
6	JD296-G00	通用继电器 General-purpose relay	1	
7	G000093-000005-00	垫圈 5 Gasket 5	2	
8	G0097P1-000005-00	垫圈 5 Gasket 5	1	
9	G006170-000005-00	螺母 M5 Nut M5	1	
10	YD201-G00	预热定时器 Preheat timer	1	
11	JD295-G00	预热继电器 Preheat relay	2	
12	GR501-701400-000	电压调节器 Voltage regulator	1	
A2	R450-701000-002	继电器组件 Relay assy	1	Ⓐ Ⓑ Ⓤ Ⓥ Ⓑ1 ≥2014-04-01
1	R450-701001-500	支架 Bracket	1	

图 1-B 继电器组件
Fig.1-B Relay assy

Ⓐ CPCD40/45-RG24
⓪ CPCD40/45-RG42

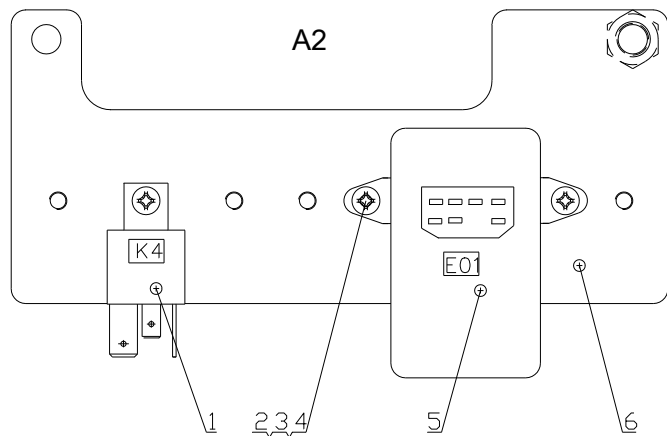
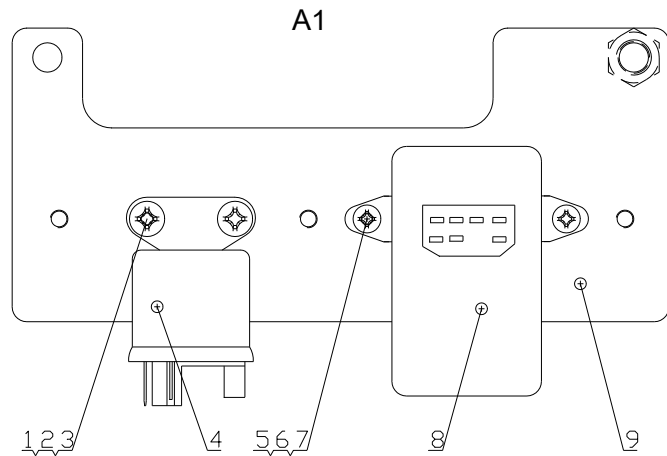
Ⓑ CPCD50-RXG24
Ⓜ CPCD50-RXG42

Ⓑ CPCD50-RXG24-GW

序号 Item	物料码 Part No.	名称 Description	数量 Qty	备注或适用车型 Remarks or Serial No.
2	G000818-006010-00	螺钉 M6×10 Screw M6×10	4	
3	G000093-000006-00	垫圈 6 Gasket 6	6	
4	G0097P1-000006-00	垫圈 6 Gasket 6	6	
5	R457-700020-820	预热继电器 Preheat relay	1	
6	GR501-701200-000	电子闪光器 Flasher	1	
7	GR501-701400-000	电压调节器 Voltage regulator	1	
8	GR502-700010-820	通用继电器 General-purpose relay	2	
9	G000818-005016-00	螺钉 M5×16 Screw M5×16	2	
10	G000093-000005-00	垫圈 5 Gasket 5	2	
11	G0097P1-000005-00	垫圈 5 Gasket 5	2	
12	H48C2-40601-G00	控制盒 Control box	1	
13	G000818-006012-00	螺钉 M6×12 Screw M6×12	2	

图 1-C 预热器组件
Fig.1-C Pre-heat assy

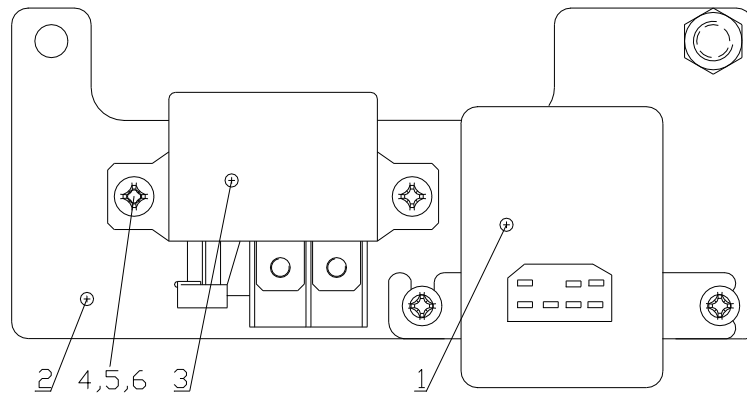
Ⓐ CPCD40/45-RG24 Ⓑ CPCD50-RXG24 Ⓒ CPCD40/45-RW35 Ⓓ CPCD50-RXW35
Ⓑ1 CPCD50-RXG24-GW



序号 Item	物料码 Part No.	名称 Description	数量 Qty	备注或适用车型 Remarks or Serial No.
A1	R441-701000-000	预热器组件 Pre-heat assy	1	Ⓒ Ⓓ <2014-04-01
1	G000818-006010-00	螺钉 M6×10 Screw M6×10	2	
2	G000093-000006-00	垫圈 6 Gasket 6	2	
3	G0097P1-000006-00	垫圈 6 Gasket 6	2	
4	JD295-G00	预热继电器 Preheat relay	1	
5	G000818-005016-00	螺钉 M5×16 Screw M5×16	2	
6	G000093-000005-00	垫圈 5 Gasket 5	2	
7	G0097P1-000005-00	垫圈 5 Gasket 5	2	
8	YD201-G00	预热定时器 Preheat timer	1	
9	R452-702100-000	预热器支架 Preheat Bracket	1	
A2	R441-701000-820	预热器组件 Pre-heat assy	1	≥2014-04-01 Ⓐ Ⓑ Ⓒ Ⓓ Ⓑ1
1	R457-700020-820	预热继电器 Preheat relay	1	
2	G000818-005016-00	螺钉 M5×16 Screw M5×16	3	
3	G000093-000005-00	垫圈 5 Gasket 5	3	

图 1-D 预热电器板总成
Fig.1-D Pre-heat assy

Ⓚ CPCD40/45-RG42 Ⓥ CPCD50-RXG42



序号 Item	物料码 Part No.	名称 Description	数量 Qty	备注或适用车型 Remarks or Serial No.
A1	R454-701000-001	预热电器板总成 pre-heat assy	1	Ⓚ Ⓥ, <2014-04-01
A2	R459-701000-002	预热电器板总成 pre-heat assy	1	Ⓚ Ⓥ, ≥2014-04-01
1	YD201-G00	预热定时器 Preheat timer	1	
2	R450-701100-001	继电器支架 Relay bracket	1	<2014-04-01
2	R459-701100-002	继电器支架 Relay bracket	1	≥2014-04-01
3	1393315-8-G00	继电器 24V Relay 24V	1	
4	G000818-005012-00	螺钉 M5×12 Screw M5×12	4	
5	G000093-000005-00	垫圈 5 Gasket 5	4	
6	G0097P1-000005-00	垫圈 5 Gasket 5	4	

图2 电气系统
Fig. 2 Electrical system

- | | | | |
|-------------------|-----------------|-------------------|-----------------|
| Ⓚ CPQYD40/45-RW57 | Ⓛ CPQYD50-RXW57 | ⓀⓁ CPYD40/45-RW57 | ⓁⓁ CPYD50-RXW57 |
| Ⓢ CPYD40/45-RW24 | Ⓣ CPYD50-RXW24 | | |

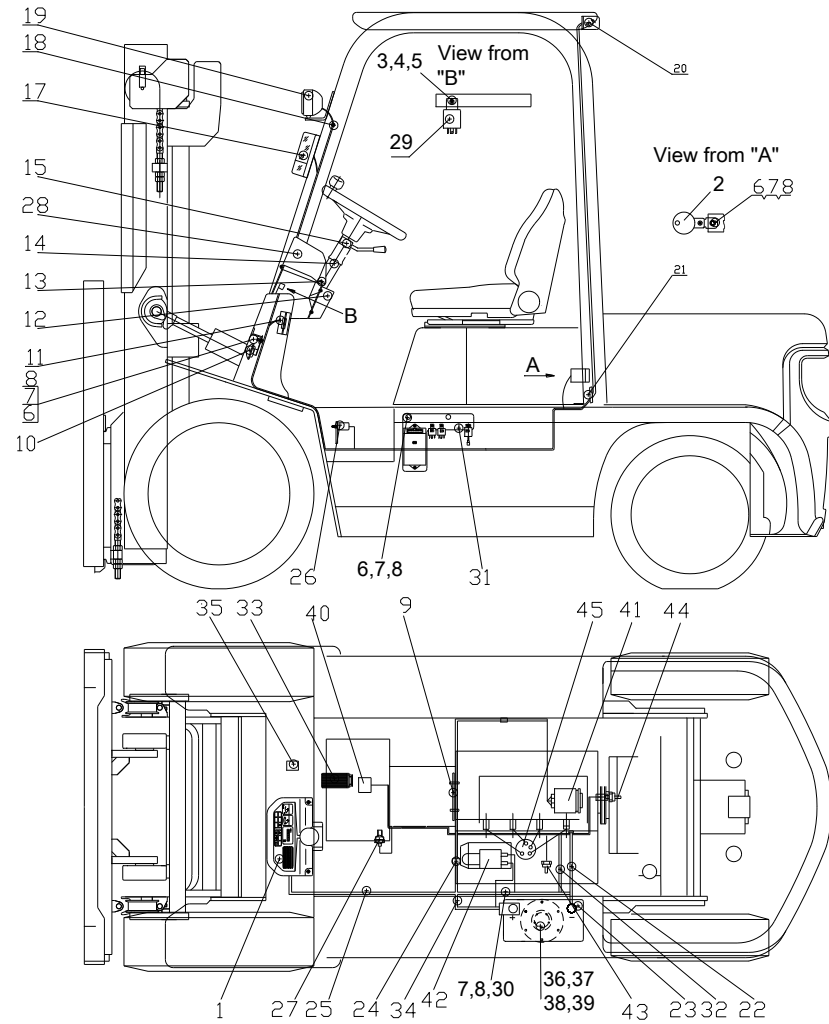
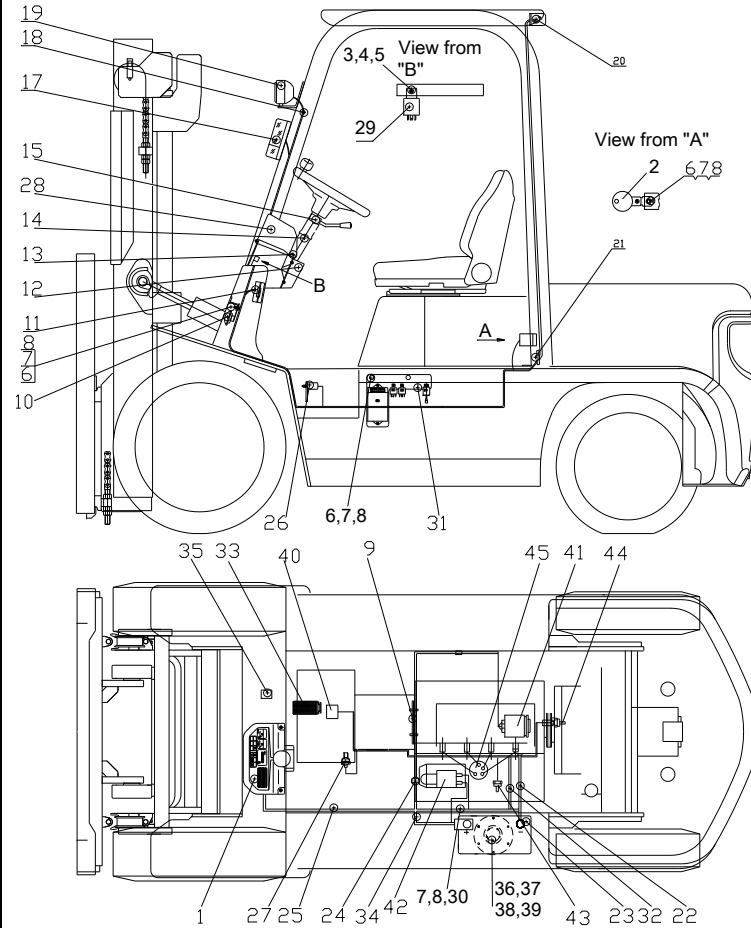


图2 电气系统
Fig. 2 Electrical system

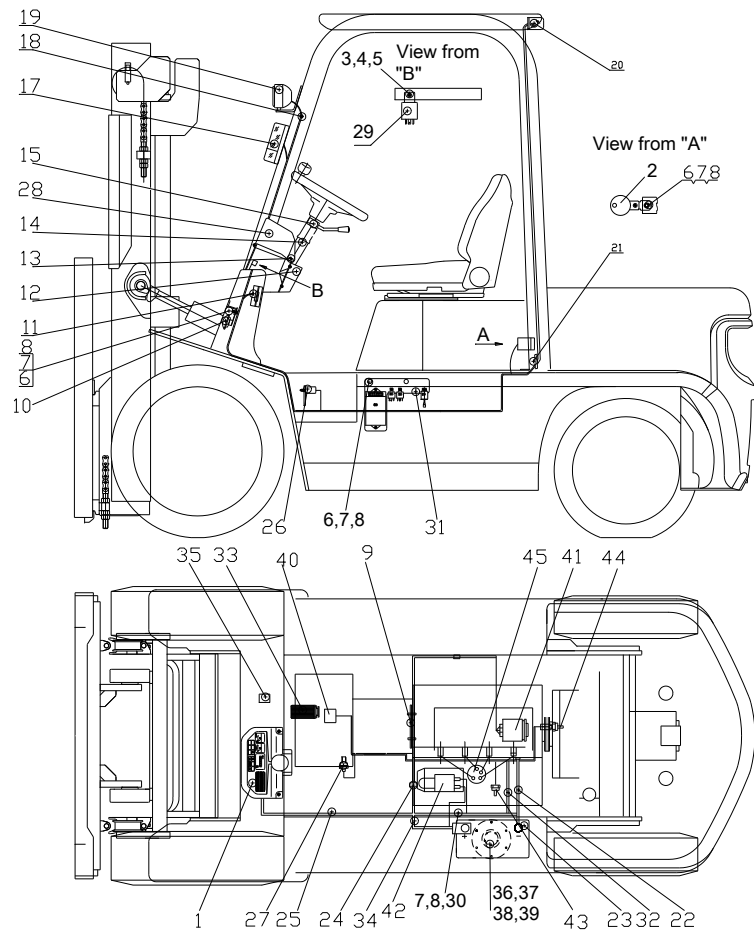
Ⓚ CPQYD40/45-RW57 Ⓛ CPQYD50-RXW57 Ⓜ CPYD40/45-RW57 Ⓛ1 CPYD50-RXW57
 Ⓢ CPYD40/45-RW24 Ⓣ CPYD50-RXW24



序号 Item	物料码 Part No.	名称 Description	数量 Qty	备注或适用车型 Remarks or Serial No.
1		仪表板总成 Instrument assy	1	见图 I -3 See Fig. I -3
2	N163-700500-000	倒车报警器 Buzzer,back	1	
3	G0029P2-006012-00	螺栓M6×12 Bolt M6×12	1	
4	G000093-000006-00	垫圈 6 Washer 6	1	
5	G0097P1-000006-00	垫圈 6 Washer 6	1	
6	G0029P2-008016-00	螺栓M8×16 Bolt M8×16	1	
7	G000093-000008-00	垫圈 8 Washer 8	4	
8	G0097P1-000008-00	垫圈 8 Washer 8	4	
9	R450-702000-000	主线束支架 Cable bracket	1	
10	N163-700009-000	喇叭 Horn	1	见图III See Fig.III
11		保险丝盒组件 Fuse box assy	1	见图VI See Fig.VI
12	N163-700001-000	仪表板围板 Dashboard panels	1	
13	N163-420100-000	螺钉组件 Screw components	7	
14	N163-700700-000	喇叭线 Horn cable	1	
15		组合开关总成 Combination switchassy 组合 开关总成	1	见图 II -2 See Fig. II -2

图2 电气系统
Fig. 2 Electrical system

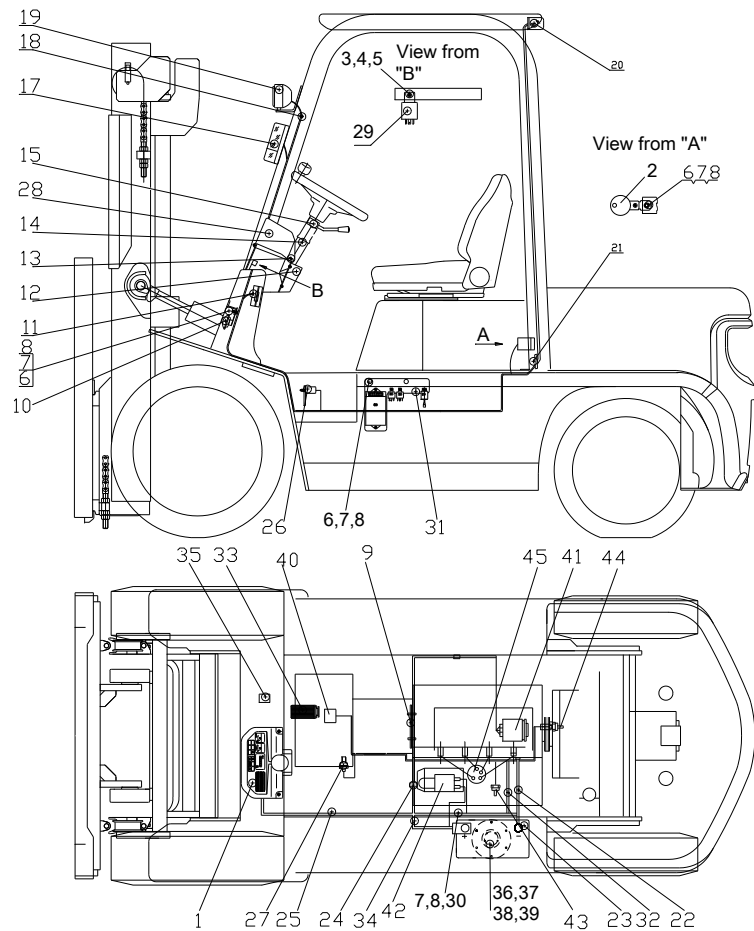
Ⓚ CPQYD40/45-RW57 Ⓛ CPQYD50-RXW57 ⓀⓁ CPYD40/45-RW57 ⓁⓁ CPYD50-RXW57
 Ⓢ CPYD40/45-RW24 Ⓣ CPYD50-RXW24



序号 Item	物料码 Part No.	名称 Description	数量 Qty	备注或适用车型 Remarks or Serial No.
17		前小灯总成 Front lamp-assy, Side	1	见图IV See Fig. IV
18		前灯线护套 Front lamp wire sheath	2	见图IV See Fig. IV
19		前大灯总成 Front lamp-assy, head	2	见图IV See Fig. IV
20		后灯总成 Rear lamp-assy	1	见图V See Fig. V
21		后灯线护套 Rear lamp wire sheath	1	见图V See Fig. V
22	N163-700200-820	蓄电池负极引线 Cable, battery(-)	1	N163-700200-000
23	R840-700001-000	少维护蓄电池 Battery, Low-maintenance	1	12A, 60AH
24	PKD-180-G00	捆线带 Ties	2	
25	R455-710000-000	车身主线束 Main wire-harness	1	Ⓚ Ⓛ, <2014-04-01
25	R455-710000-002	车身主线束 Main wire-harness	1	Ⓚ Ⓛ, ≥2014-04-01
25	R4510-710000-820	车身主线束 Main wire-harness	1	ⓀⓁ ⓁⓁ CE, 无感知 CE, Not Sensing System
25	R4510-710000-000	车身主线束 Main wire-harness	1	ⓀⓁ ⓁⓁ, <2014-04-01
25	R4510-710000-002	车身主线束 Main wire-harness	1	ⓀⓁ ⓁⓁ, ≥2014-04-01
25	R456-710000-000	车身主线束 Main wire-harness	1	Ⓢ Ⓣ, <2014-04-01
25	R456-710000-002	车身主线束 Main wire-harness	1	Ⓢ Ⓣ, ≥2014-04-01

图2 电气系统
Fig. 2 Electrical system

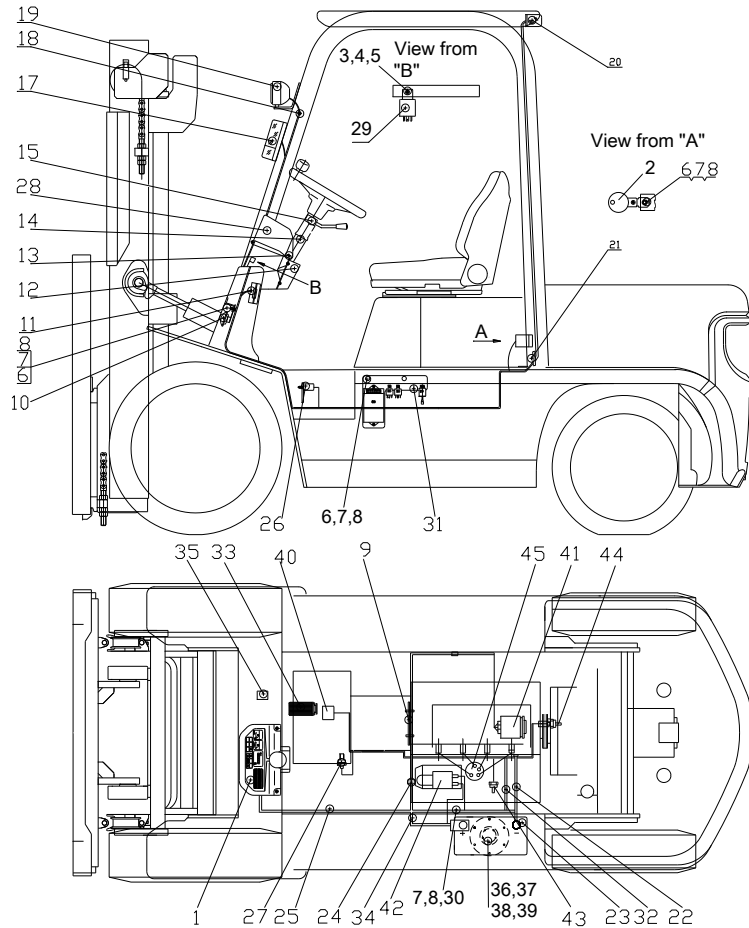
Ⓚ CPQYD40/45-RW57 Ⓛ CPQYD50-RXW57 ⓀⓁ CPYD40/45-RW57 ⓁⓁ CPYD50-RXW57
 Ⓢ CPYD40/45-RW24 Ⓣ CPYD50-RXW24



序号 Item	物料码 Part No.	名称 Description	数量 Qty	备注或适用车型 Remarks or Serial No.
26	N163-700600-000	制动灯开关 Brake lamp switch	1	
27	SC601-700009-001	油温报警器 Fuel temp alarm	1	
28	ZD122x8-G00	扎带 Ties	2	
29	N163-700010-820	通用继电器 Relay	1	
30	G005783-008016-00	螺栓M8×16 Bolt M8×16	1	
31	R453-703000-000	继电器组件 Relay assy	1	<2014-04-01 见图 2-A, See Fig.2-A
31	R455-701000-002	继电器组件 Relay assy	1	≥2014-04-01 见图 2-A, See Fig.2-A
31	R453-703000-820	继电器组件 Relay assy	1	ⓀⓁ ⓁⓁ CE,无感知 CE,Not Sensing System 见图 2-B, See Fig.2-B
32	R960-700300-820	起动机接地线 Ground wire,starter	1	
33	GR512-700002-000	油门踏板 Acceleration pedal	1	
34	R457-700100-000	蓄电池正极引线 Cable, Battery(+)	1	
35	R977-700100-000	LPG/GAS转换开关 LPG/GAS switch	1	Ⓚ Ⓛ
36	R450-700100-000	油量传感器 Fuel sensor	1	Ⓚ Ⓛ
37	G000093-000005-00	垫圈 5 Washer 5	5	Ⓚ Ⓛ

图2 电气系统
Fig. 2 Electrical system

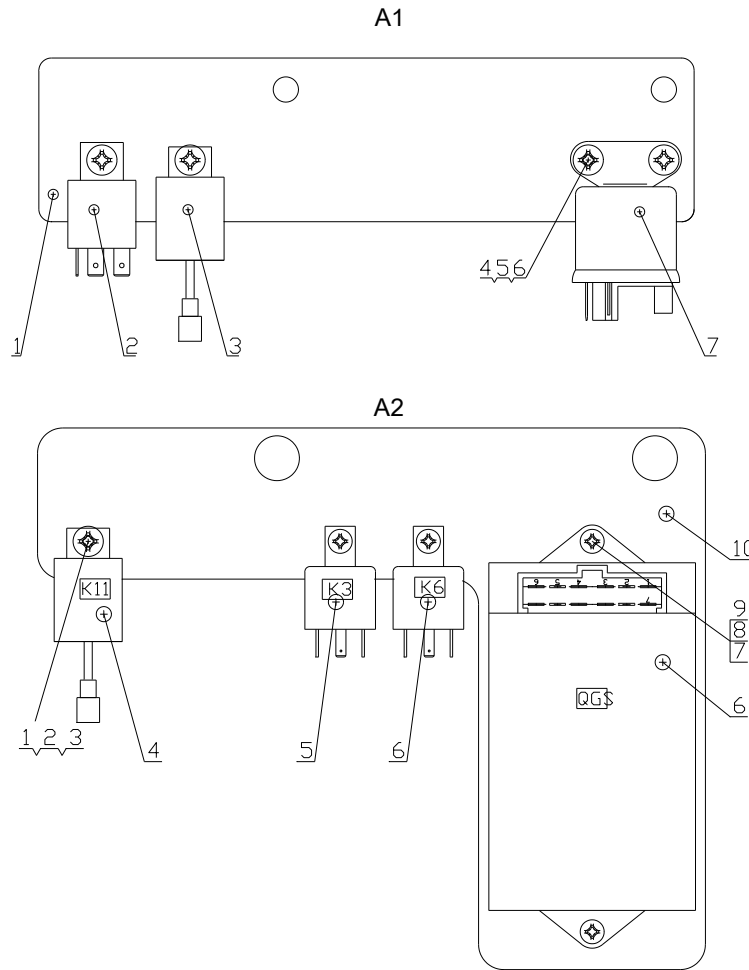
Ⓚ CPQYD40/45-RW57 Ⓛ CPQYD50-RXW57 ⓀⓁ CPYD40/45-RW57 ⓁⓁ CPYD50-RXW57
 Ⓢ CPYD40/45-RW24 Ⓣ CPYD50-RXW24



序号 Item	物料码 Part No.	名称 Description	数量 Qty	备注或适用车型 Remarks or Serial No.
38	G000067-005012-00	螺钉M5×12 Screw M5×12	5	Ⓚ Ⓛ
39	G0097P1-000006-00	垫圈 5 Washer 5	5	Ⓚ Ⓛ
40		电磁阀 Electromagnetic reversing valves	1	见第一部分 变速箱 See Part I gearbox
41		发电机 Alternator	1	发动机配 Supply by engine
42		起动机 Starter	1	发动机配 Supply by engine
43		油压报警器 Hydraulic oil alarm	1	发动机配 Supply by engine
44		水温传感器 Water temp sensor	1	Ⓚ Ⓛ ⓀⓁ ⓁⓁ 发动机配 supply by engine
44	R456-700001-000	水温传感器 Water temp sensor	1	Ⓢ Ⓣ
45		分电器 Distributor	1	发动机配 Supply by engine

图 2-A 继电器组件
Fig.2-A Relay assy

Ⓚ CPQYD40/45-RW57 Ⓛ CPQYD50-RXW57 Ⓚ CPYD40/45-RW57 Ⓛ CPYD50-RXW57
 Ⓢ CPYD40/45-RW24 Ⓣ CPYD50-RXW24

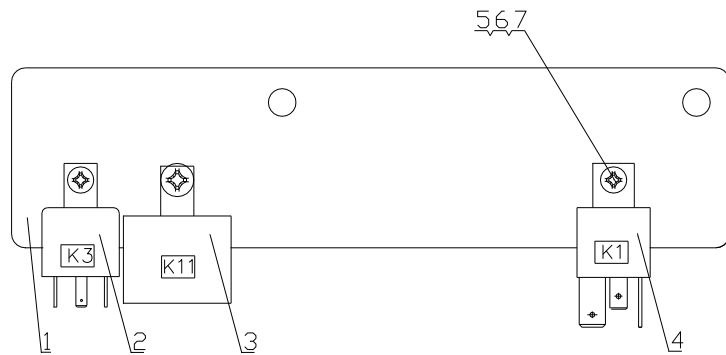


序号 Item	物料码 Part No.	名称 Description	数量 Qty	备注或适用车型 Remarks or Serial No.
A1	R453-703000-000	继电器组件 Relay assy	1	<2014-04-01
1	R450-701001-000	支架 Bracket	1	
2	N163-700010-000	通用继电器 General-purpose relay	1	
3	N163-701100-000	电子闪光器 Flasher	1	
4	G000093-000006-00	垫圈 6 Gasket 6	4	
5	G0097P1-000006-00	垫圈 6 Gasket 6	4	
6	G000818-006010-00	螺钉 M6×10 Screw M6×10	4	
7	N163-702200-000	预热继电器 Preheat relay	1	
A2	R455-701000-002	继电器组件 Relay assy	1	≥2014-04-01
1	G000818-006010-00	螺钉 M6×10 Screw M6×10	4	
2	G000093-000006-00	垫圈 6 Gasket 6	4	
3	G0097P1-000006-00	垫圈 6 Gasket 6	4	
4	N163-701100-000	电子闪光器 Flasher	1	

图 2-B 继电器组件
Fig.2-B Relay assy

Ⓚ1 CPYD40/45-RW57 Ⓛ1 CPYD50-RXW57

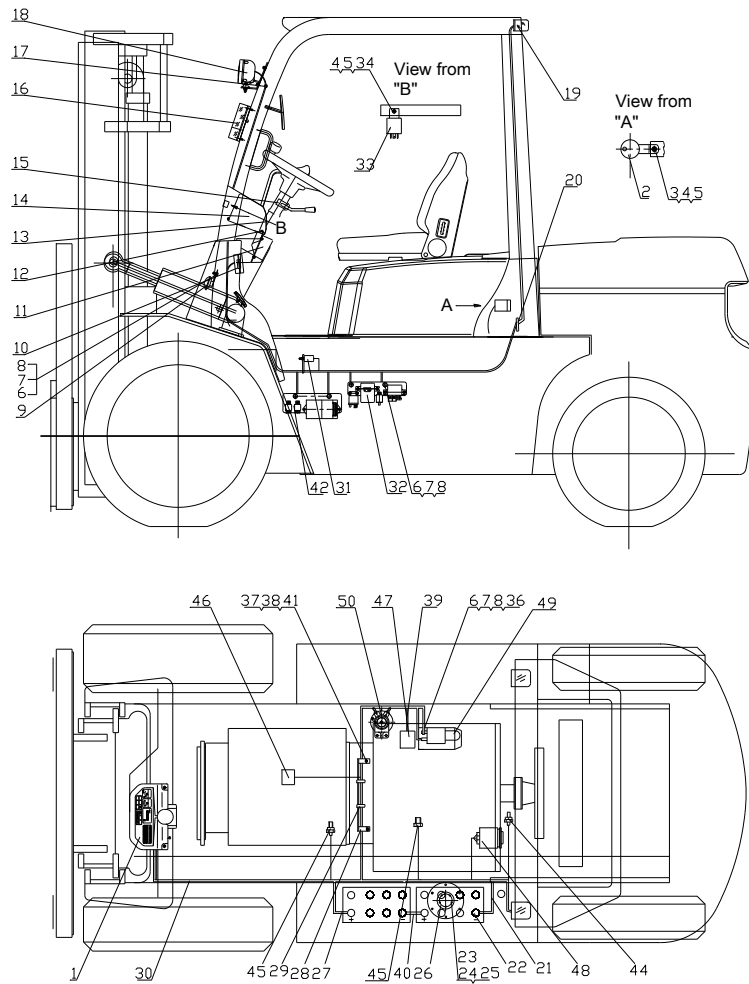
CE,无感知
CE,Not Sensing System



序号 Item	物料码 Part No.	名称 Description	数量 Qty	备注或适用车型 Remarks or Serial No.
A1	R453-703000-820	继电器组件 Relay assy	1	CE,无感知 CE,Not Sensing System
1	R450-701001-820	支架 Bracket	1	
2	N163-700010-820	通用继电器 General-purpose relay	1	
3	N163-701100-000	电子闪光器 Flasher	1	
4	N163-702200-820	预热继电器 Preheat relay	1	
5	G000818-005016-00	螺钉 M5×16 Screw M5×16	3	
6	G000093-000005-00	垫圈 5 Gasket 5	3	
7	G0097P1-000005-00	垫圈 5 Gasket 5	3	

图3 电气系统
Fig.3 Electrical system

Ⓔ CPCD40/45-RW5 Ⓕ CPCD50-RXW5

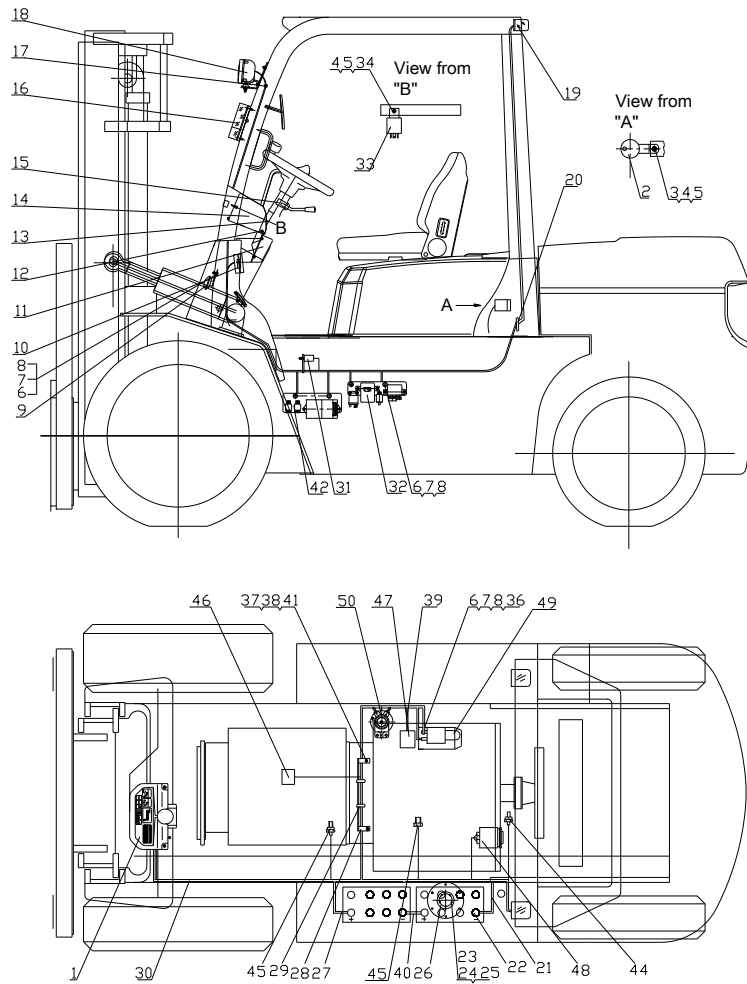


序号 Item	物料码 Part No.	名称 Description	数量 Qty	备注或适用车型 Remarks or Serial No.
1	GR501-720000-001	仪表板总成 Instrument assy	1	见图 I -1 See Fig. I -1
2	DJB-24B-G00	倒车报警器 Buzzer,back	1	
3	G0029P2-006012-00	螺栓M6×12 Bolt M8×16	1	
4	G000093-000006-00	垫圈 6 Washer 6	2	
5	G0097P1-000006-00	垫圈 6 Washer 6	2	
6	G0029P2-008016-00	螺栓M8×16 Bolt M8×16	6	
7	G000093-000008-00	垫圈 8 Washer 8	6	
8	G0097P1-000008-00	垫圈 8 Washer 8	6	
9		喇叭 Horn	1	见图III See Fig.III
10		保险丝盒组件 Fuse box assy	1	见图VI See Fig.VI
11	N163-700001-000	仪表板围板 Dashboard panels	1	
12	N163-420100-000	螺钉组件 Screw components	7	
13	N163-700700-000	喇叭线 Horn harness	1	
14	ZD122x8-G00	扎带 Ties	2	
15		组合开关总成 combination switchassy	1	见图 II -2 See Fig. II -2

图3 电气系统
Fig.3 Electrical system

Ⓔ CPCD40/45-RW5

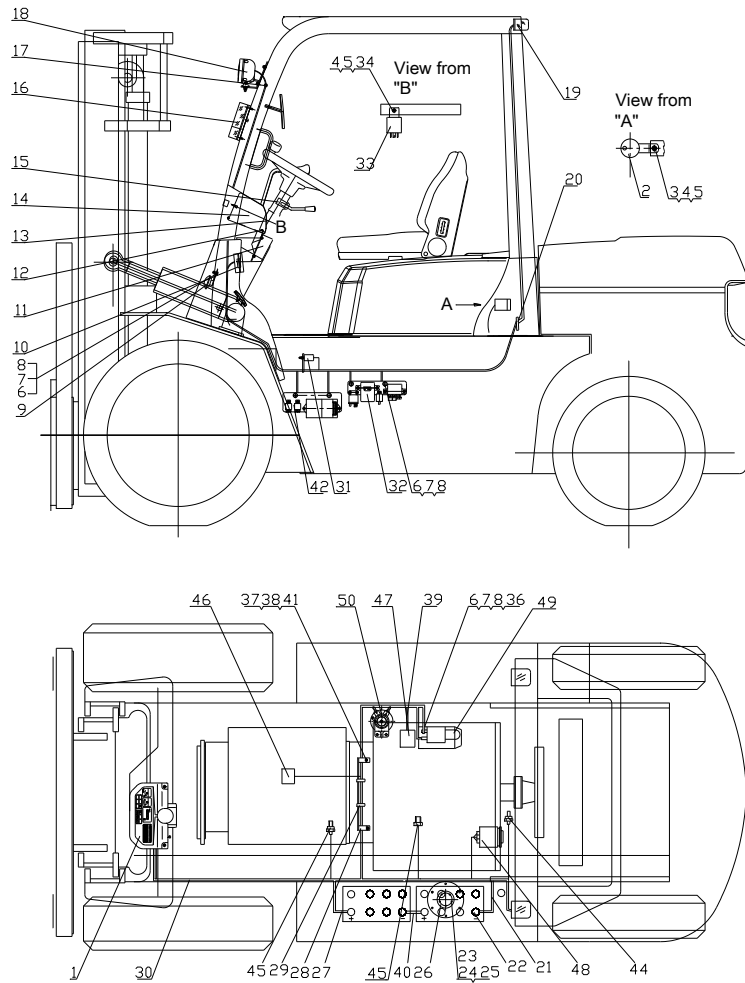
Ⓕ CPCD50-RXW5



序号 Item	物料码 Part No.	名称 Description	数量 Qty	备注或适用车型 Remarks or Serial No.
16		前小灯总成 Front lamp-assy	1	见图IV See Fig. IV
17		前灯线护套 Front lamp wire sheath	2	见图IV See Fig. IV
18		前大灯总成 Front lamp-assy,head	2	见图IV See Fig. IV
19		后灯总成 Rear lamp-assy	1	见图V See Fig. V
20	N163-700005-000	后灯线护套 Rear lamp wire sheath	1	
21	N163-700200-820	蓄电池负极引线 Cable, battery(-)	1	N163-700200-000
22	R840-700001-000	少维护蓄电池 battery, Low-maintenance	2	12V, 60AH
23	G000093-000005-00	垫圈 5 Washer 5	5	
24	G000067-005012-00	螺钉M5×12 Screw M5×12	5	
25	G0097P1-000006-00	垫圈 5 Washer 5	5	
26	R450-700100-000	油量传感器 Fuel sensor	1	
27	R454-702000-000	蓄电池接起动机正电源线 cable, battery(+)	1	
28	R454-704000-000	线束支架 Cable bracket	1	
29	PKD-180-G00	捆线带 Ties	10	
30	R454-710000-000	车身主线束 Main wire-harness	1	<2014-04-01

图3 电气系统
Fig.3 Electrical system

Ⓔ CPCD40/45-RW5 Ⓕ CPCD50-RXW5



序号 Item	物料码 Part No.	名称 Description	数量 Qty	备注或适用车型 Remarks or Serial No.
30	R454-710000-002	车身主线束 Main wire-harness	1	≥2014-04-01
31	N163-700600-000	制动灯开关 Brake lamp switch	1	
32	R454-701000-000	电器板总成 Relay assy	1	<2014-04-01 见图 3-A, See Fig.3-A
32	R454-701000-500	电器板总成 Relay assy	1	≥2014-04-01 见图 3-A, See Fig.3-A
33	JD296-G00	通用继电器 Relay	1	
34	G000818-006012-00	螺钉M6×12 Screw M6×12	1	
36	R454-703000-000	起动机接地线 ground wire,starter	1	
37	G000093-000010-00	垫圈 10 Washer 10	2	
38	G0097P1-000010-00	垫圈 10 Washer 10	2	
39	R454-730000-000	预热线束 Pre-heat harness	1	
40	40DH-704000-820	蓄电池串联电线 Cable, Battery(+)--battery(-)	1	
41	G005783-010016-00	螺栓M10×16 Bolt M10×16	2	
42	R454-701000-500	电器板总成 Relay assy	1	
43	GR502-700001-000	水温传感器 Water temp sensor	1	NPT1/2
44	SC601-700009-001	油温报警器 Fuel temp alarm	1	

图 3-A 电器板总成
Fig.3-A Relay assy

Ⓔ CPCD40/45-RW5

Ⓕ CPCD50-RXW5

序号 Item	物料码 Part No.	名称 Description	数量 Qty	备注或适用车型 Remarks or Serial No.
A1	R454-701000-000	电器板总成 Relay assy	1	<2014-04-01
1	G000818-006010-00	螺钉 M6×10 Screw M6×10	6	
2	G000093-000006-00	垫圈 6 Gasket 6	6	
3	G0097P1-000006-00	垫圈 6 Gasket 6	4	
4	1393315-8-G00	继电器 24V Relay 24V	1	
5	GR501-701200-000	电子闪光器 Flasher	1	
6	YD201-G00	预热定时器 Preheat timer	1	
7	JD295-G00	预热继电器 Preheat relay	1	
8	R454-701001-000	支架 Bracket	1	
9	JD296-G00	通用继电器 General-purpose relay	1	
10	G000818-006016-00	螺钉 M6×16 Screw M6×16	2	
11	G000818-005016-00	螺钉 M5×16 Screw M5×16	2	
12	G000093-000005-00	垫圈 5 Gasket 5	2	
13	G0097P1-000005-00	垫圈 5 Gasket 5	2	
A3	R454-701000-500	电器板总成 Relay assy	1	≥2014-04-01

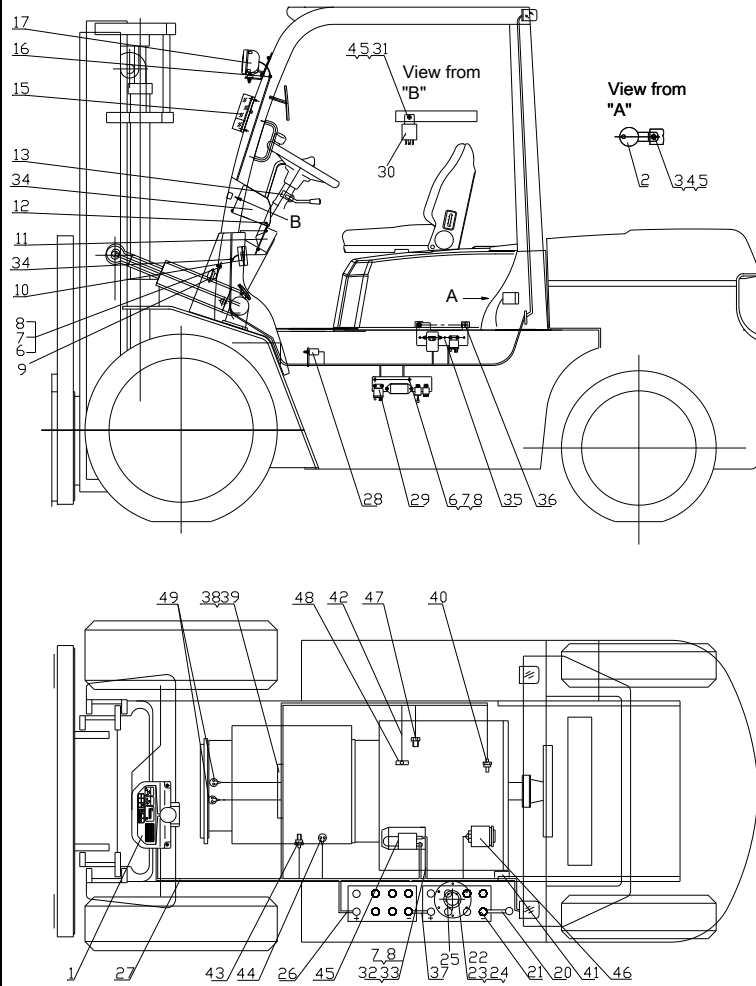
图 4 电气系统
Fig.4 Electrical system

© CPC40/45-RG31
⊗ CPC45-RG43-S

Ⓓ CPC50-RXG24
Ⓨ CPC45-RG42-S

Ⓒ CPC45-RG34-S

Ⓜ CPC50-RXG42



序号 Item	物料码 Part No.	名称 Description	数量 Qty	备注或适用车型 Remarks or Serial No.
1		仪表板总成 Instrument assy	1	见图 I -1 See Fig. I -1
2	DJB-24B-G00	倒车报警器 Buzzer,back	1	
3	G0029P2-006012-00	螺栓M6×12 Bolt M6×12	1	
4	G000093-000006-00	垫圈 6 Washer 6	2	
5	G0097P1-000006-00	垫圈 6 Washer 6	2	
6	G0029P2-008016-00	螺栓M8×16 Bolt M8×16	3	
7	G000093-000008-00	垫圈 8 Washer 8	4	
8	G0097P1-000008-00	垫圈 8 Washer 8	4	
9		喇叭 Horn	1	见图III See Fig.III
10		保险丝盒组件 Fuse box assy	1	见图VI See Fig.VI
11	N163-700001-000	仪表板围板 Dashboard panels	1	
12	N163-420100-000	螺钉组件 Screw components	7	
13		转向灯开关组件 Combination switchassy	1	见图 II -1 See Fig. II -1
15		前小灯总成 Front lamp-assy	1	见图IV See Fig. IV
16		前灯线护套 Front lamp wire sheath	2	见图IV See Fig. IV

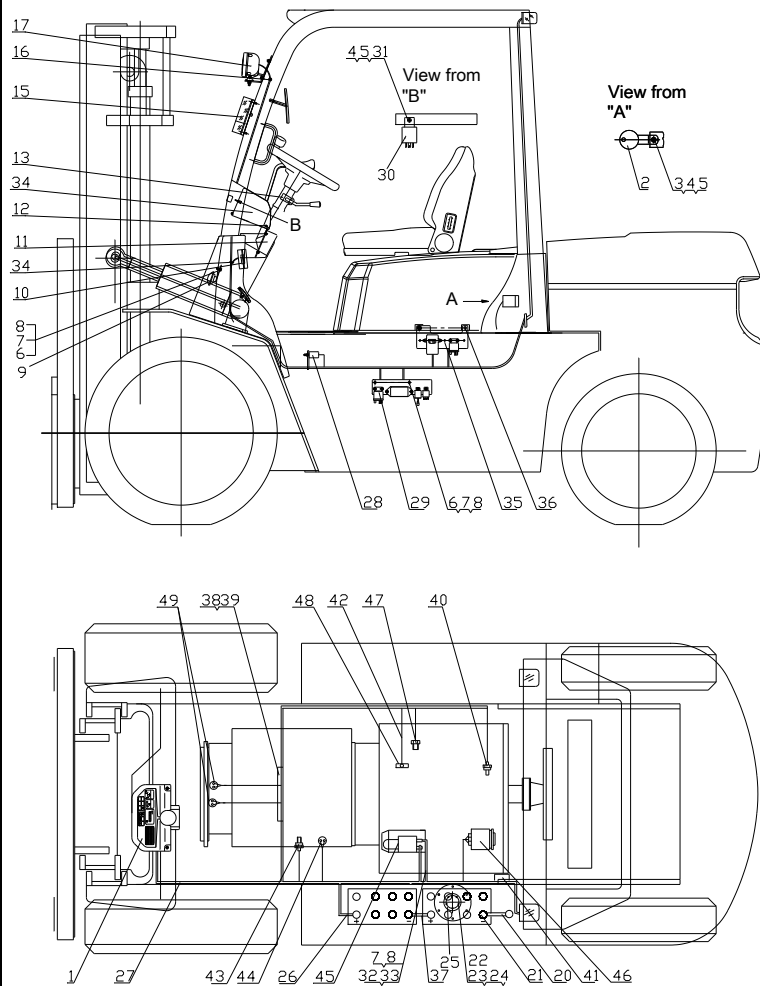
图 4 电气系统
Fig.4 Electrical system

© CPC40/45-RG31
⊗ CPC45-RG43-S

Ⓧ CPC50-RXG24
Ⓨ CPC45-RG42-S

Ⓡ CPC45-RG34-S

Ⓦ CPC50-RXG42



序号 Item	物料码 Part No.	名称 Description	数量 Qty	备注或适用车型 Remarks or Serial No.
17		前大灯总成 Front lamp-assy,head	2	见图IV See Fig. IV
18		后灯总成 Rear lamp-assy	1	见图V See Fig. V
19	N163-700005-000	后灯线护套 Rear lamp wire sheath	1	
20	N163-700200-000	蓄电池负极引线 Cable, battery(-)	1	
21	R840-700001-000	少维护蓄电池 Battery, Low-maintenance	2	12V,60AH © Ⓧ Ⓡ ⊗
21	R960-700002-000	少维护蓄电池 Battery, Low-maintenance	2	12V,90AH Ⓦ Ⓨ
22	G000093-000005-00	垫圈 5 Washer 5	5	
23	G000067-005012-00	螺钉M5×12 Screw M5×12	5	
24	G0097P1-000006-00	垫圈 5 Washer 5	5	
25	R450-700100-000	油量传感器 Fuel sensor	1	
26	40DH-705000	蓄电池正极引线 Cable, battery(+)	1	
27	R441-710000-000	车身主线束 Main wire-harness	1	©
27	R470-710000-000	车身主线束 Main wire-harness	1	Ⓧ
27	RS450-710000-000	车身主线束 Main wire-harness	1	Ⓡ
27	R479-710000-000	车身主线束 Main wire-harness	1	Ⓦ Ⓨ

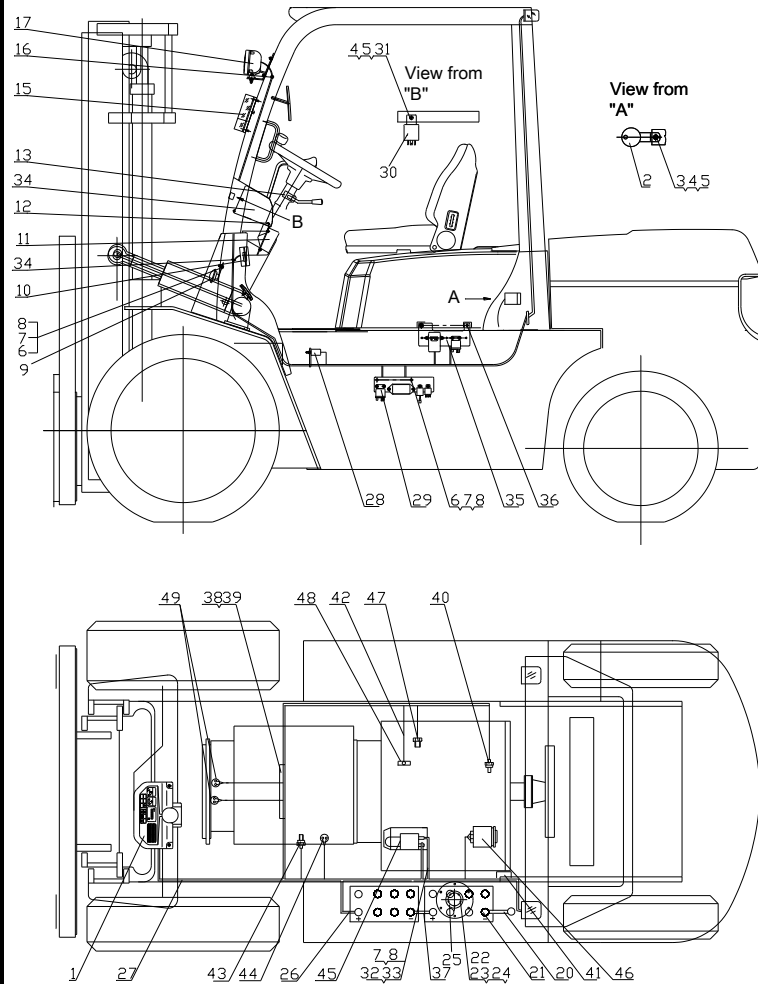
图 4 电气系统
Fig.4 Electrical system

© CPC40/45-RG31
⊗ CPC45-RG43-S

Ⓓ CPC50-RXG24
Ⓨ CPC45-RG42-S

Ⓒ CPC45-RG34-S

Ⓜ CPC50-RXG42



序号 Item	物料码 Part No.	名称 Description	数量 Qty	备注或适用车型 Remarks or Serial No.
27	RS451-710000-000	车身主线束 Main wire-harness	1	⊗
28	N163-700600-000	制动灯开关 Brake lamp switch	1	
29	R441-702000-000	继电器组件 Relay assy	1	Ⓒ ⊗ 见图 4-A, See Fig.4-A
29	R450-701000-000	继电器组件 Relay assy	1	Ⓓ 见图 4-B, See Fig.4-B
29	RS450-701000-000	继电器组件 Relay assy	1	Ⓒ 见图 4-C, See Fig.4-C
29	R459-701000-000	继电器组件 Relay assy	1	Ⓜ Ⓨ 见图 4-D, See Fig.4-D
30	JD296-G00	通用继电器 Relay	1	
31	G000818-006012-00	螺钉m6×12 Screw m6×12	1	
32	R960-700300-000	起动机接地线 ground wire,starter	1	
33	G006170-000008-00	螺母 M8 Bolt M8	1	
34	ZD122x8-G00	扎带 Ties	4	
35	R441-701000-000	预热器组件 Pre-heat assy	1	Ⓒ ⊗ 见图 4-A, See Fig.4-A
35	R454-701000-001	电器板总成 Pre-heat assy	1	Ⓜ Ⓨ 见图 4-D, See Fig.4-D
36	G907417-008025-00	螺栓组合件M8×25 Bolt assy M8×25	2	
37	40DH-704000-820	蓄电池串联电线 cable, battery(+)-battery(-)	1	

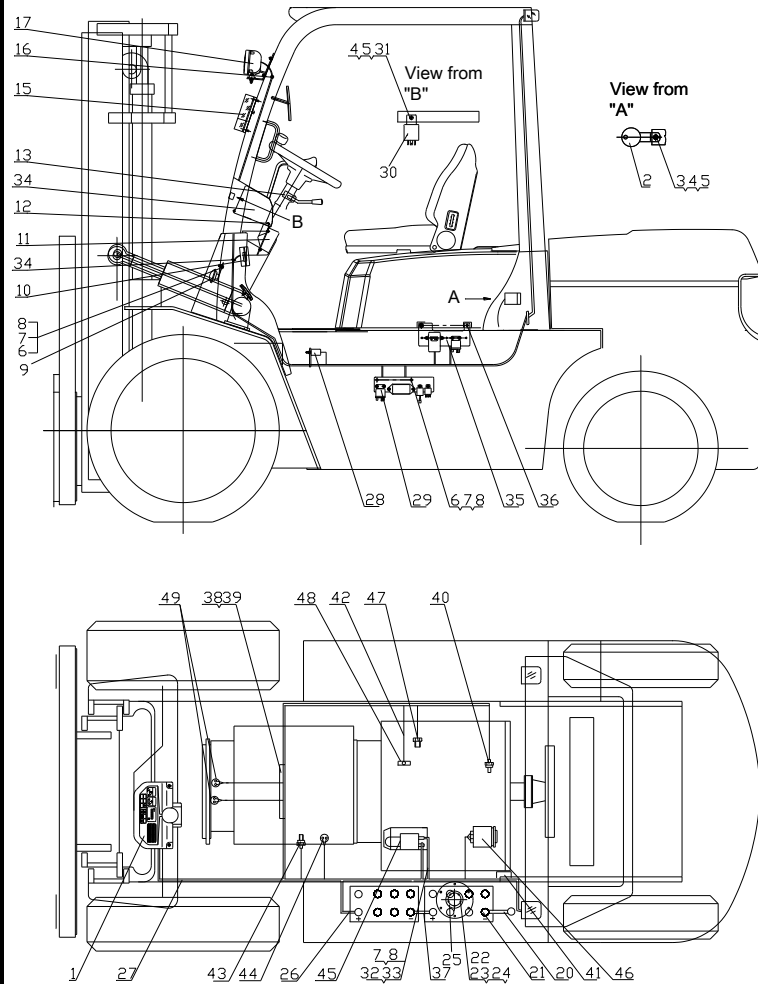
图 4 电气系统
Fig.4 Electrical system

© CPC40/45-RG31
⊗ CPC45-RG43-S

Ⓓ CPC50-RXG24
Ⓨ CPC45-RG42-S

Ⓔ CPC45-RG34-S

Ⓜ CPC50-RXG42



序号 Item	物料码 Part No.	名称 Description	数量 Qty	备注或适用车型 Remarks or Serial No.
38	H510-702000-000	线束支架 Cable bracket	1	© Ⓓ ⊗
38	R450-702000-000	线束支架 Cable bracket	1	Ⓜ Ⓨ
39	PKD-180-G00	捆线带 Ties	2	
40	GR504-700001-000	水温传感器 Water temp sensor	1	
41	N163-700011-000	导线夹片 Wire clip	1	Ⓓ Ⓜ
42	R479-730000-000	预热线束 Pre-heat harness	1	Ⓜ Ⓨ
43	SC601-700009-001	油温报警器 Fuel temp alarm	1	⊗
44		空档起动开关 Neutral switch	1	见第一部分 变速箱 See Part I gearbox
45		起动机 Starter	1	发动机配 Supply by engine
46		发电机 Alternator	1	发动机配 Supply by engine
47		油压报警器 Hydraulic oil alarm	1	© Ⓓ Ⓔ ⊗ 发动机配 Supply by engine
47	GR713-700002-000	油压报警器 Hydraulic oil alarm	1	Ⓜ Ⓨ Npt1/8
48		预热塞 Pre-heat plug	1	发动机配 Supply by engine
49		倒车灯开关 Reversing light switch	2	见第一部分 变速箱 See Part I gearbox

图 4-A 继电器组件, 预热器组件
Fig.4-A Relay assy, Pre-heat assy

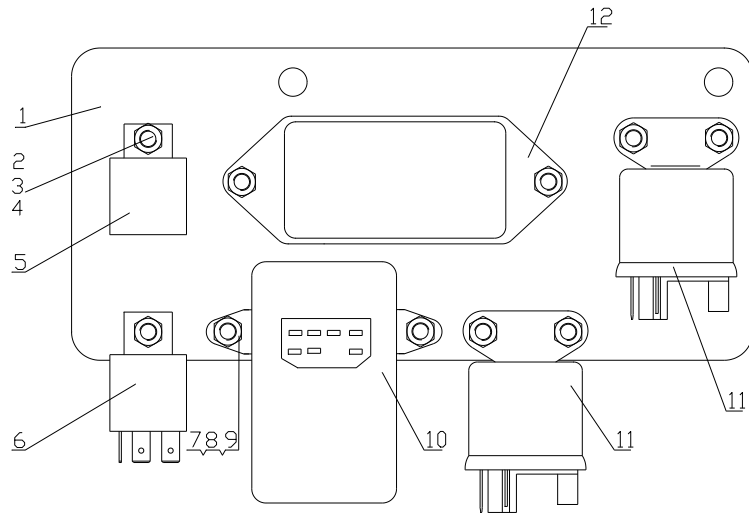
© CPC40/45-RG31

⊗ CPC45-RG43-S

序号 Item	物料码 Part No.	名称 Description	数量 Qty	备注或适用车型 Remarks or Serial No.					
					A1	R441-702000-000	继电器组件 Relay assy	1	© ⊗
					1	R441-702001-000	支架 Bracket	1	
					2	GR501-701400-000	电压调节器 Voltage regulator	1	
					3	G000818-006012-00	螺钉 M6×12 Screw M6×12	4	
					4	G0097P1-000006-00	垫圈 6 Gasket 6	6	
					5	G000093-000006-00	垫圈 6 Gasket 6	6	
					6	JD296-G00	通用继电器 General-purpose relay	1	
					7	GR501-701200-000	电子闪光器 Flasher	1	
					8	JN3A-G00	起动继电器24V Start relay 24V	1	
					9	G000818-006010-00	螺钉 M6×10 Screw M6×10	2	
					A2	R441-701000-000	预热器组件 Pre-heat assy	1	© ⊗
					1	G000818-006010-00	螺钉 M6×10 Screw M6×10	2	
					2	G0097P1-000006-00	垫圈 6 Gasket 6	2	
					3	G000093-000006-00	垫圈 6 Gasket 6	2	

图 4-B 继电器组件
Fig.4-B Relay assy

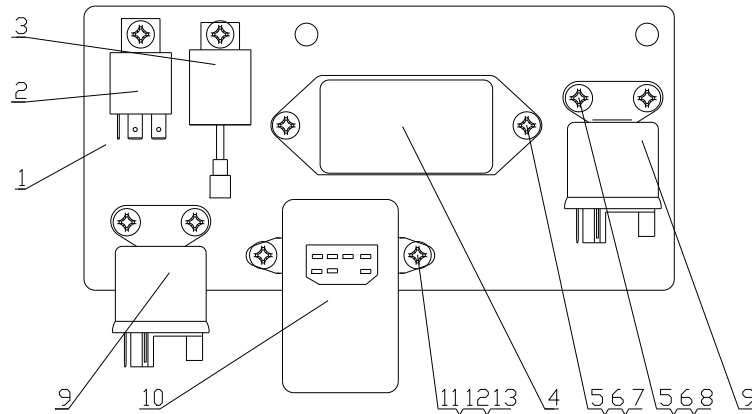
Ⓓ CPC50-RXG24



序号 Item	物料码 Part No.	名称 Description	数量 Qty	备注或适用车型 Remarks or Serial No.
A1	R450-701000-000	继电器组件 Relay assy	1	Ⓓ
1	R450-701100-510	继电器支架 Relay bracket	1	
2	G006170-000006-00	螺母 M6 Nut M6	8	
3	G000093-000006-00	垫圈 6 Gasket 6	8	
4	G0097P1-000006-00	垫圈 6 Gasket 6	8	
5	GR501-701200-000	电子闪光器 Flasher	1	
6	JD296-G00	通用继电器 General-purpose relay	1	
7	G000093-000005-00	垫圈 5 Gasket 5	2	
8	G0097P1-000005-00	垫圈 5 Gasket 5	1	
9	G006170-000005-00	螺母 M5 Nut M5	1	
10	YD201-G00	预热定时器 Preheat timer	1	
11	JD295-G00	预热继电器 Preheat relay	2	
12	GR501-701400-000	电压调节器 Voltage regulator	1	

图 4-C 继电器组件
Fig.4-C Relay assy

® CPC45-RG34-S

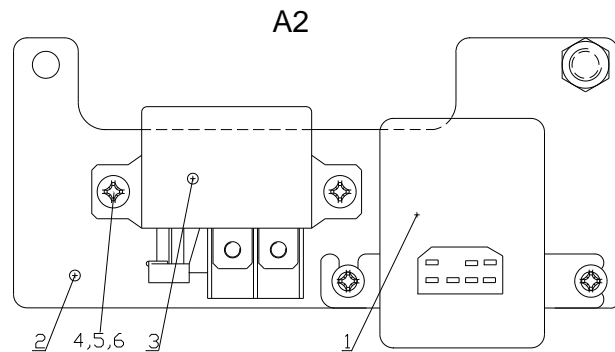
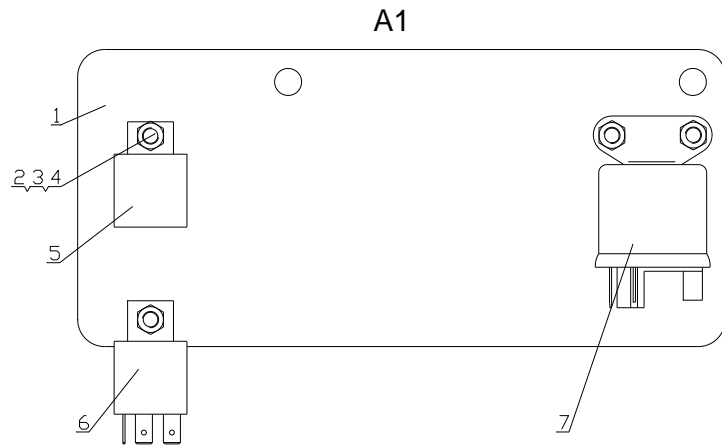


序号 Item	物料码 Part No.	名称 Description	数量 Qty	备注或适用车型 Remarks or Serial No.
1	RS450-701000-000	继电器组件 Relay assy	1	®
1	RS450-701001-000	电器板 Plate	1	
2	JD296-G00	通用继电器 General-purpose relay	1	
3	GR501-701200-000	电子闪光器 Flasher	1	
4	GR501-701400-000	电压调节器 Voltage regulator	1	
5	G000093-000006-00	垫圈 6 Gasket 6	8	
6	G0097P1-000006-00	垫圈 6 Gasket 6	8	
7	G000818-006012-00	螺钉 M6×12 Screw M6×12	2	
8	G000818-006010-00	螺钉 M6×10 Screw M6×10	6	
9	JD295-G00	预热继电器 Preheat relay	2	
10	YD201-G00	预热定时器 Preheat timer	1	
11	G000818-005016-00	螺钉 M5×16 Screw M5×16	2	
12	G000093-000005-00	垫圈 5 Gasket 5	2	
13	G0097P1-000005-00	垫圈 5 Gasket 5	1	

图 4-D 继电器组件, 电器板总成
Fig.4-D Relay assy, Pre-heat assy

Ⓜ CPC50-RXG42

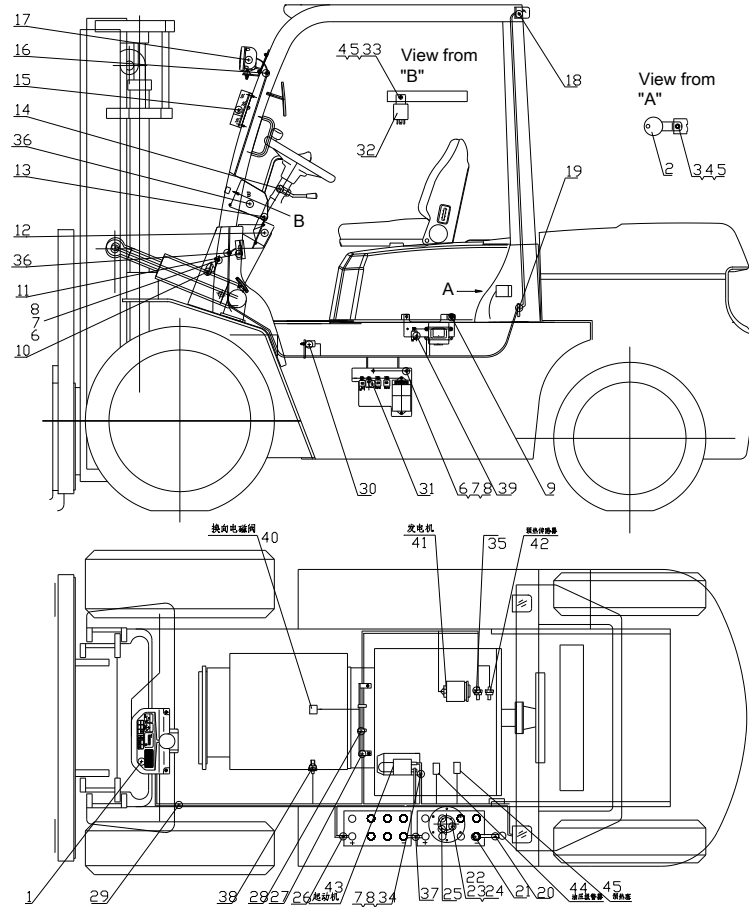
Ⓜ CPC45-RG42-S



序号 Item	物料码 Part No.	名称 Description	数量 Qty	备注或适用车型 Remarks or Serial No.
A1	R459-701000-000	继电器组件 Relay assy	1	Ⓜ Ⓜ
1	R450-701100-510	继电器支架 Relay bracket	1	
2	G006170-000006-00	螺母 M6 Nut M6	4	
3	G000093-000006-00	垫圈 6 Gasket 6	4	
4	G0097P1-000006-00	垫圈 6 Gasket 6	4	
5	GR501-701200-000	电子闪光器 Flasher	1	
6	JD296-G00	通用继电器 General-purpose relay	1	
7	JD295-G00	预热继电器 Preheat relay	1	
A2	R454-701000-001	电器板总成 Pre-heat assy	1	Ⓜ Ⓜ
1	YD201-G00	预热定时器 Preheat timer	1	
2	R450-701100-001	继电器支架 Relay bracket	1	
3	1393315-8-G00	继电器 24V Relay 24V	1	
4	G000818-005012-00	螺钉 M5×12 Screw M5×12	4	
5	G000093-000005-00	垫圈 5 Gasket 5	4	
6	G0097P1-000005-00	垫圈 5 Gasket 5	4	

图5 电气系统
Fig.5 Electrical system

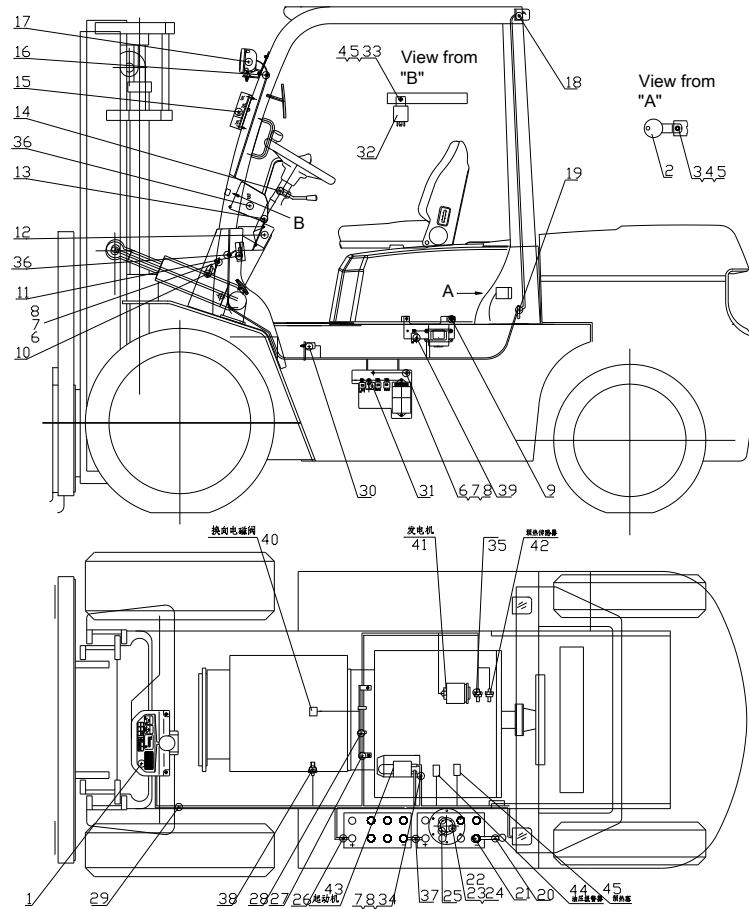
① CPCD40/45-RW19 ② CPCD50-RXW19



序号 Item	物料码 Part No.	名称 Description	数量 Qty	备注或适用车型 Remarks or Serial No.
1		仪表板总成 Instrument assy	1	见图 I See Fig. I
2	DJB-24B-G00	倒车报警器 Buzzer,Back	1	
3	G0029P2-006012-00	螺栓M6×12 Bolt M6×12	1	
4	G000093-000006-00	垫圈 6 Washer 6	1	
5	G0097P1-000006-00	垫圈 6 Washer 6	1	
6	G0029P2-008012-00	螺栓M8×12 Bolt M8×12	1	
7	G000093-000008-00	垫圈 8 Washer 8	4	
8	G0097P1-000008-00	垫圈 8 Washer 8	4	
9	G907417-008025-00	螺栓M8×25 Bolt M8×25	1	
10	R450-700200-000	喇叭 Horn	1	
11		保险丝盒 Fuse Box	1	见图VI See Fig. VI
12	N163-700001-000	仪表板围板 Dashboard panels	1	
13	N163-420100-000	螺钉组件 Screw components	7	
14		组合开关总成 Combination Switchassy	1	见图 II -2 See Fig. II -2
15		前小灯总成 Front lamp-assy, Side	1	见图IV See Fig. IV

图5 电气系统
Fig.5 Electrical system

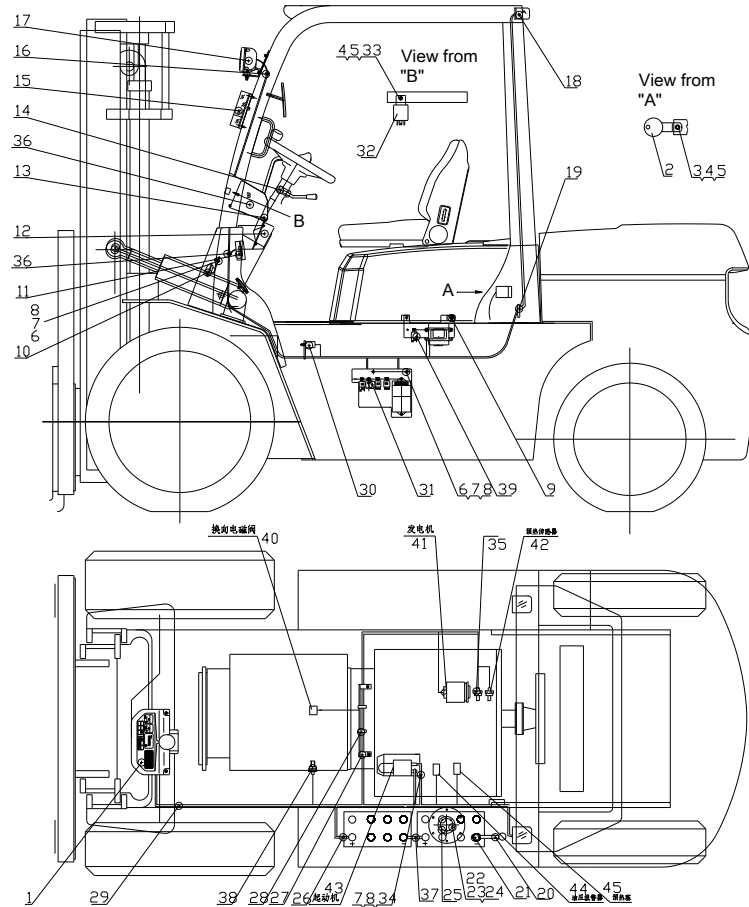
① CPCD40/45-RW19 ② CPCD50-RXW19



序号 Item	物料码 Part No.	名称 Description	数量 Qty	备注或适用车型 Remarks or Serial No.
16		前灯线护套 Front lamp wire sheath	2	见图IV See Fig. IV
17		前大灯总成 Front lamp-assy,Head	2	见图IV See Fig. IV
18		后灯总成 Rear lamp-assy	1	见图V See Fig. V
19	N163-700005-000	后灯线护套 Rear lamp wire sheath	1	
20	N163-700200-820	蓄电池负极引线 Cable, Battery(-)	1	N163-700200-000
21	R840-700001-000	少维护蓄电池 Battery, Low-Maintenance	2	12V 60Ah
22	G000093-000005-00	垫圈 5 Washer 5	5	
23	G000067-005012-00	螺钉M5×12 Screw M5×12	5	
24	G0097P1-000006-00	垫圈 5 Washer 5	5	
25	R450-700100-000	油量传感器 Fuel sensor	1	
26	R457-700100-000	蓄电池正极引线 Cable, Battery(+)	1	
27	R452-703000-000	主线束支架 Cable Bracket	1	
28	PKD-180-G00	扎带 Ties	2	
29	R452-710000-000	车身主线束 Main wire-harness	1	<2014-04-01
29	R452-710000-002	车身主线束 Main wire-harness	1	≥2014-04-01

图5 电气系统
Fig.5 Electrical system

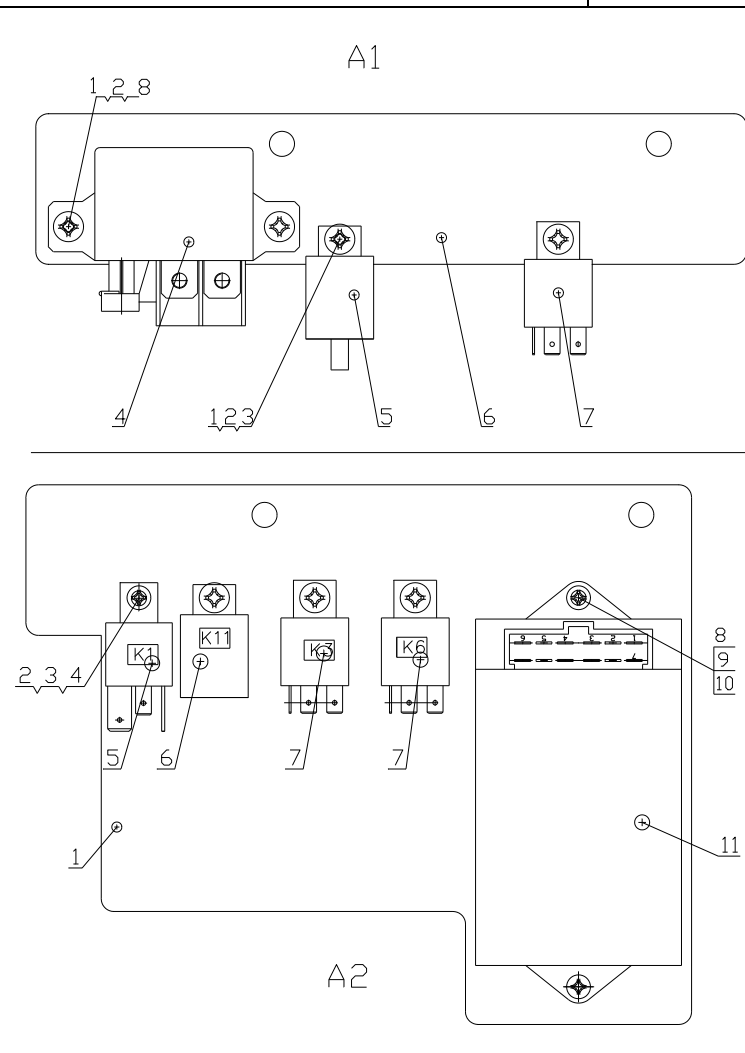
① CPCD40/45-RW19 ② CPCD50-RXW19



序号 Item	物料码 Part No.	名称 Description	数量 Qty	备注或适用车型 Remarks or Serial No.
30	N163-700600-000	制动灯开关 Brake lamp switch	1	
31	R452-701000-000	继电器组件 Relay Assy	1	<2014-04-01
31	R452-701000-002	继电器组件 Relay Assy	1	≥2014-04-01
32	GR502-700010-820	通用继电器 Relay	1	
33	G000818-006012-00	螺钉M6×12 Bolt M6×12	1	
34	R960-700300-820	起动机接地线 Ground wire, Starter	1	
35	N163-700006-000	水温传感器 Water temp sensor	1	
36	ZD122x8-G00	扎带 Ties	2	
37	40DH-704000-820	蓄电池串联电线 CABLE, BATTERY(+)-BATTERY(-)	1	
38	SC601-700009-001	油温报警器 Fuel temp alarm	1	
39	R452-702000-000	预热器组件 PRE-HEAT ASSY	1	<2014-04-01
39	R452-702000-002	预热器组件 PRE-HEAT ASSY	1	≥2014-04-01
40		电磁阀 Electromagnetic reversing valves	1	见第一部分 变速箱 See Part I gearbox
41		发电机 Alternator	1	发动机配 Supply by engine
42		预热传感器 Preheat sensor	1	发动机配 Supply by engine

图 5-A 继电器组件
Fig.5-A Relay assy

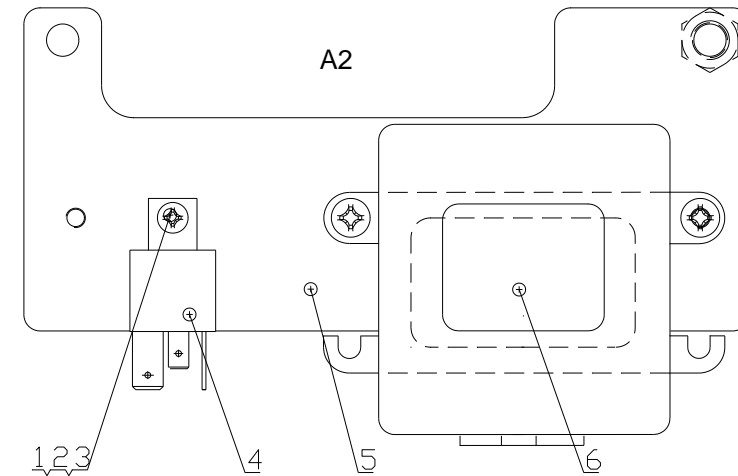
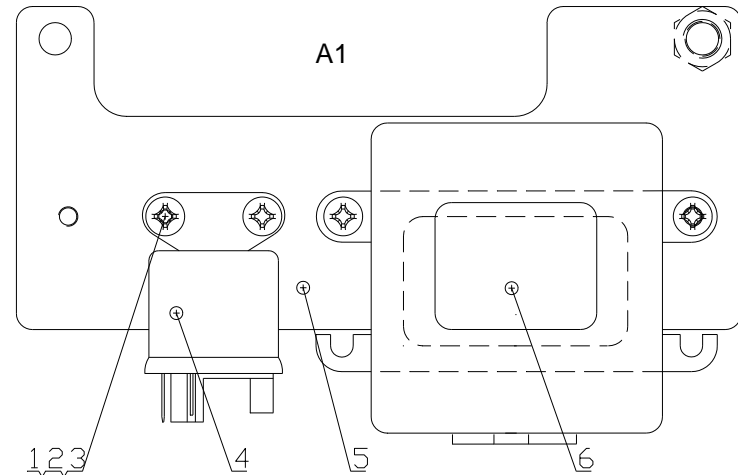
① CPCD40/45-RW19 ② CPCD50-RXW19



序号 Item	物料码 Part No.	名称 Description	数量 Qty	备注或适用车型 Remarks or Serial No.
A1	R452-701000-000	继电器组件 Relay Assy	1	<2014-04-01
1	G000818-006010-00	螺钉 M6×10 Screw M6×10	4	
2	G000093-000006-00	垫圈 6 Gasket 6	4	
3	G0097P1-000006-00	垫圈 6 Gasket 6	2	
4	1393315-8-G00	继电器 24V Relay 24V	1	
5	GR501-701200-000	电子闪光器 Flasher	1	
6	R454-701001-000	支架 Bracket	1	
7	JD296-G00	通用继电器 General-purpose relay	1	
8	G000818-006016-00	螺钉 M6×16 Screw M6×16	2	
A2	R452-701000-002	继电器组件 Relay Assy	1	≥2014-04-01
1	R450-701001-500	支架 Bracket	4	
2	G000818-006010-00	螺钉 M6×10 Screw M6×10	4	
3	G000093-000006-00	垫圈 6 Gasket 6	4	
4	G0097P1-000006-00	垫圈 6 Gasket 6	1	

图 5-B 预热器组件
Fig.5-B Pre-heat assy

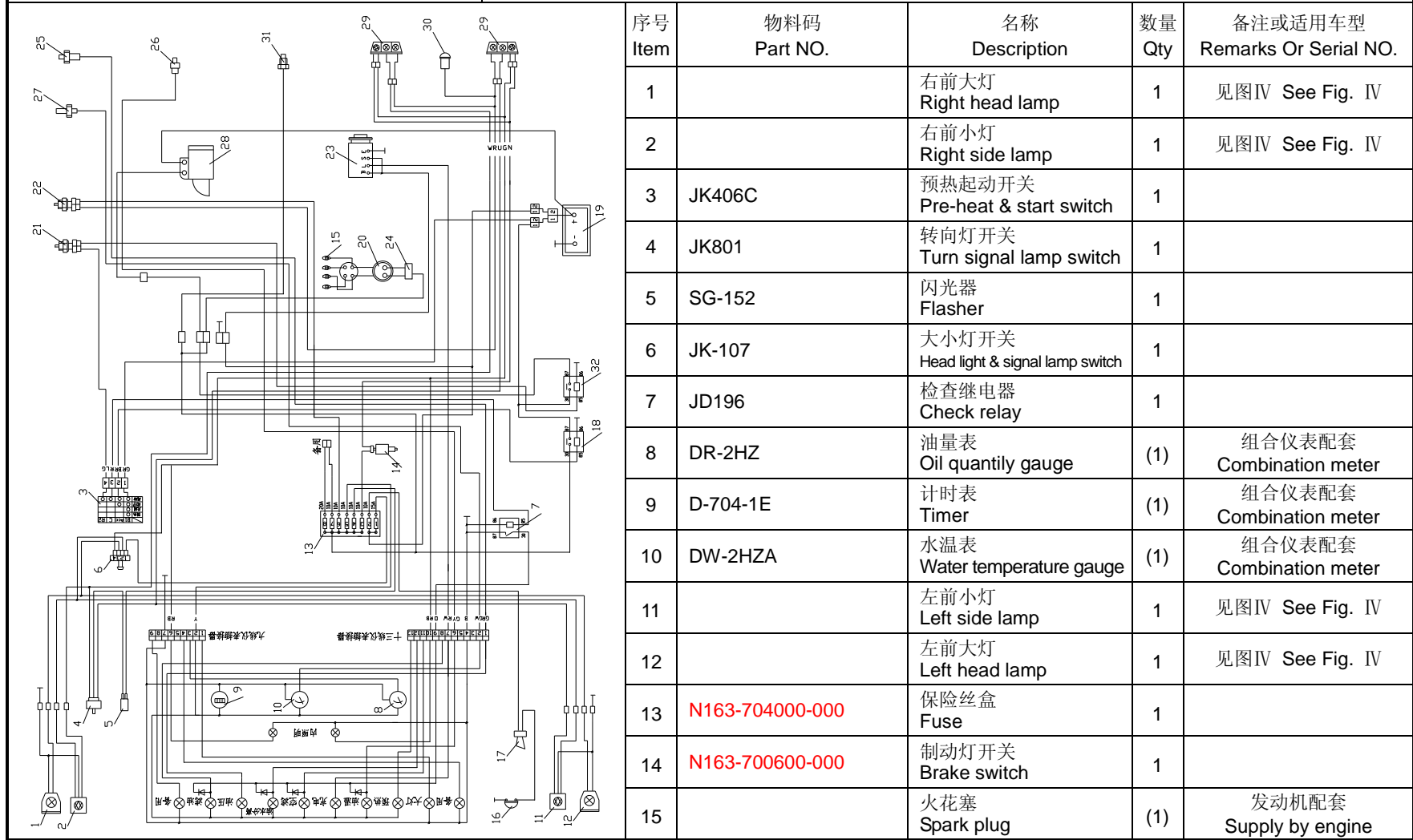
① CPCD40/45-RW19 ② CPCD50-RXW19



序号 Item	物料码 Part No.	名称 Description	数量 Qty	备注或适用车型 Remarks or Serial No.
A1	R452-702000-000	预热器组件 PRE-HEAT ASSY	1	<2014-04-01
1	G000818-006010-00	螺钉 M6×10 Screw M6×10	4	
2	G000093-000006-00	垫圈 6 Gasket 6	4	
3	G0097P1-000006-00	垫圈 6 Gasket 6	4	
4	JD295-G00	预热继电器 Preheat relay	1	
5	R452-702100-000	预热器支架 Bracket	1	
6	11067-T6201-G00	预热控制器 Preheat Controller	1	
A2	R452-702000-002	预热器组件 PRE-HEAT ASSY	1	≥2014-04-01
1	G000818-006010-00	螺钉 M6×10 Screw M6×10	4	
2	G000093-000006-00	垫圈 6 Gasket 6	4	
3	G0097P1-000006-00	垫圈 6 Gasket 6	4	
4	R457-700020-820	预热继电器 Preheat relay	1	
5	R459-701100-002	预热器支架 Bracket	1	
6	11067-T6201-G00	预热控制器 Preheat Controller	1	

图6 电气系统
Fig.6 Electrical system

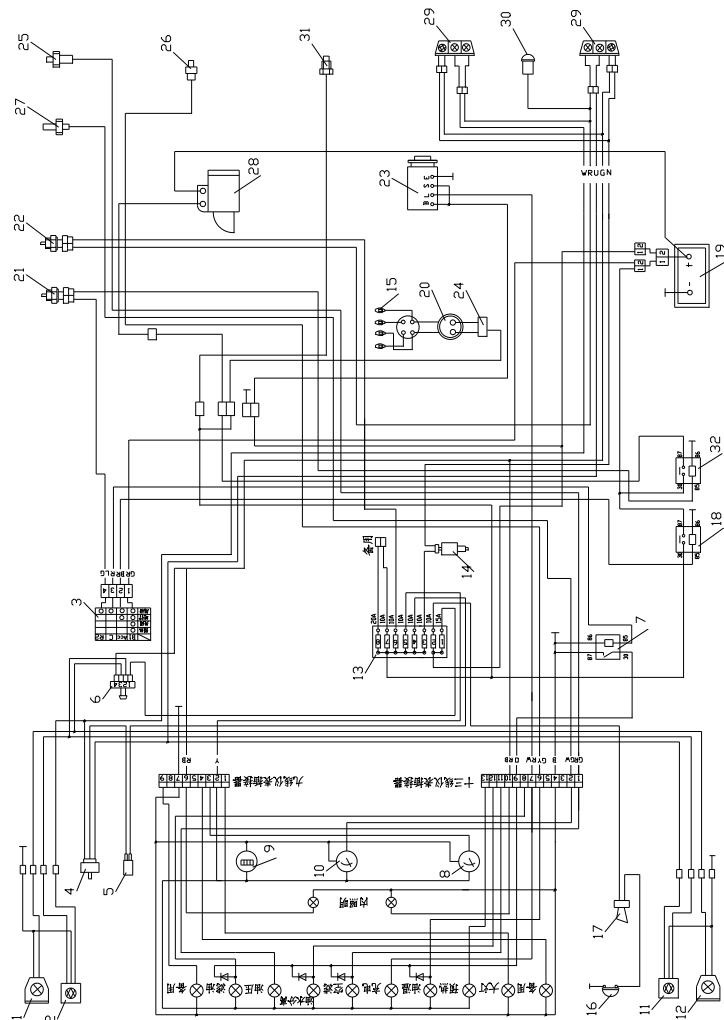
© CPYD40/45-RW17 Ⓜ CPYD50-RXW17



序号 Item	物料码 Part NO.	名称 Description	数量 Qty	备注或适用车型 Remarks Or Serial NO.
1		右前大灯 Right head lamp	1	见图IV See Fig. IV
2		右前小灯 Right side lamp	1	见图IV See Fig. IV
3	JK406C	预热起动开关 Pre-heat & start switch	1	
4	JK801	转向灯开关 Turn signal lamp switch	1	
5	SG-152	闪光器 Flasher	1	
6	JK-107	大小灯开关 Head light & signal lamp switch	1	
7	JD196	检查继电器 Check relay	1	
8	DR-2HZ	油量表 Oil quantily gauge	(1)	组合仪表配套 Combination meter
9	D-704-1E	计时表 Timer	(1)	组合仪表配套 Combination meter
10	DW-2HZA	水温表 Water temperature gauge	(1)	组合仪表配套 Combination meter
11		左前小灯 Left side lamp	1	见图IV See Fig. IV
12		左前大灯 Left head lamp	1	见图IV See Fig. IV
13	N163-704000-000	保险丝盒 Fuse	1	
14	N163-700600-000	制动灯开关 Brake switch	1	
15		火花塞 Spark plug	(1)	发动机配套 Supply by engine

图 6 电气系统
Fig.6 Electrical system

© CPYD40/45-RW17 ⑨ CPYD50-RXW17



序号 Item	物料码 Part NO.	名称 Description	数量 Qty	备注或适用车型 Remarks Or Serial NO.
16		喇叭按钮 Horn button	(1)	方向盘 Supply by steering wheel
17	DL224ED	喇叭 Horn	1	—2007.3.31
17	R450-700200-000	电喇叭 Horn	1	2007.4.1—
18	JD195	起动继电器 Start relay	1	
19	R840-700001-000	蓄电池 Battery	2	
20		分电器 Current separator	(1)	发动机配套 Supply by engine
21	JK208A	空档起动开关 Neutral start switch	(1)	
22	JK208A	倒车灯开关 Reverse switch	(1)	
23		发电机 Alternator	(1)	
24		点火线圈 Ignition winding	(1)	发动机配套 Supply by engine
25		油压报警器 Fuel pressure warning switch	(1)	发动机配套 Supply by engine
26	WG-2K(RC3/4)	油温报警器 Oil warning switch	(1)	组合仪表配套 Combination meter
27	WG-2(M12x1.25)	水温传感器 Water temperature sensor	(1)	组合仪表配套 Combination meter
28		起动机 Starter	(1)	发动机配套 Supply by engine
29		后灯 Tail lamp	2	见图 V See Fig. V

图7 电气系统 (CE)
Fig.7 Electrical system (CE)

© CPYD40/45-RW17 ① CPYD50-RXW17

电换向 Electrical change direction

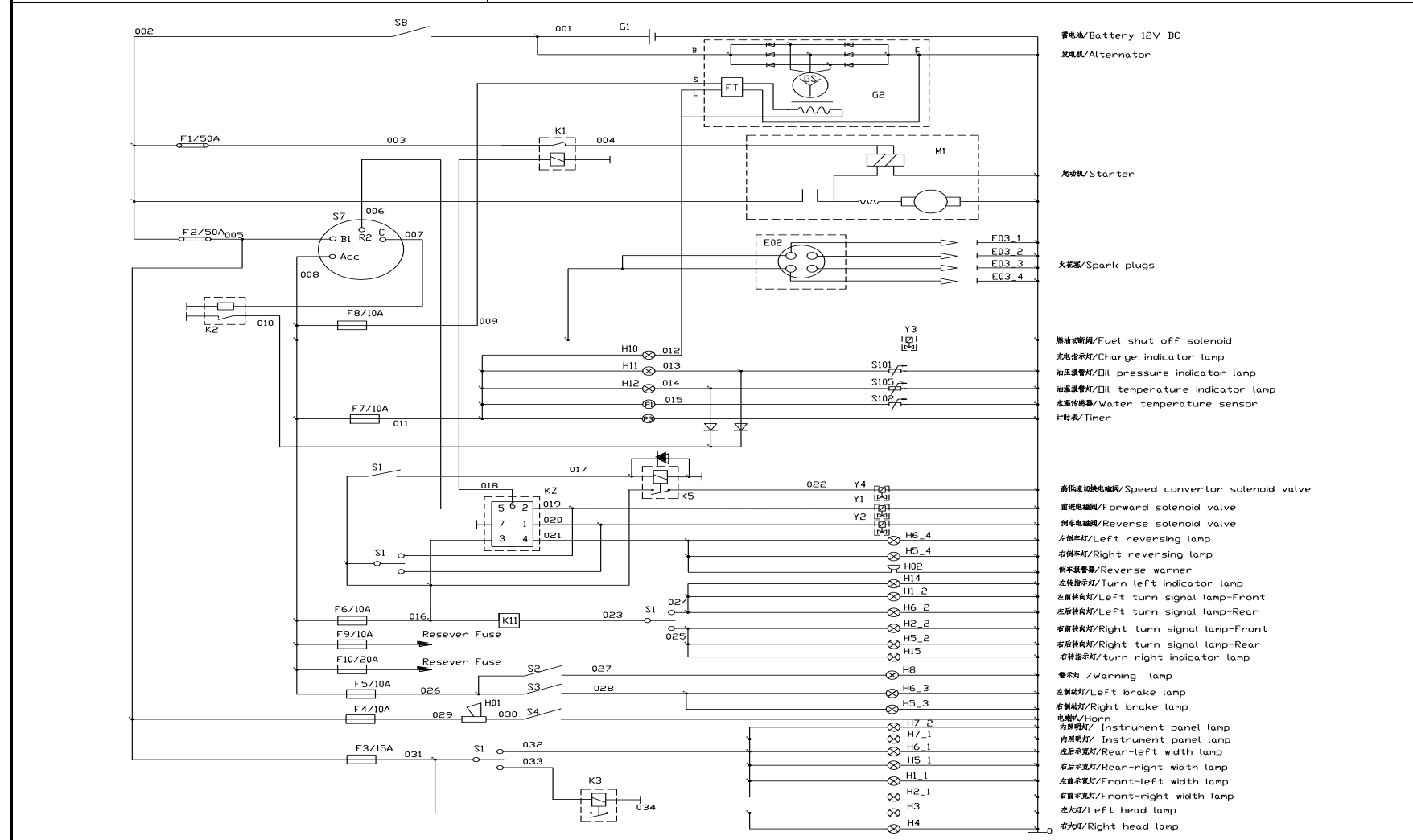
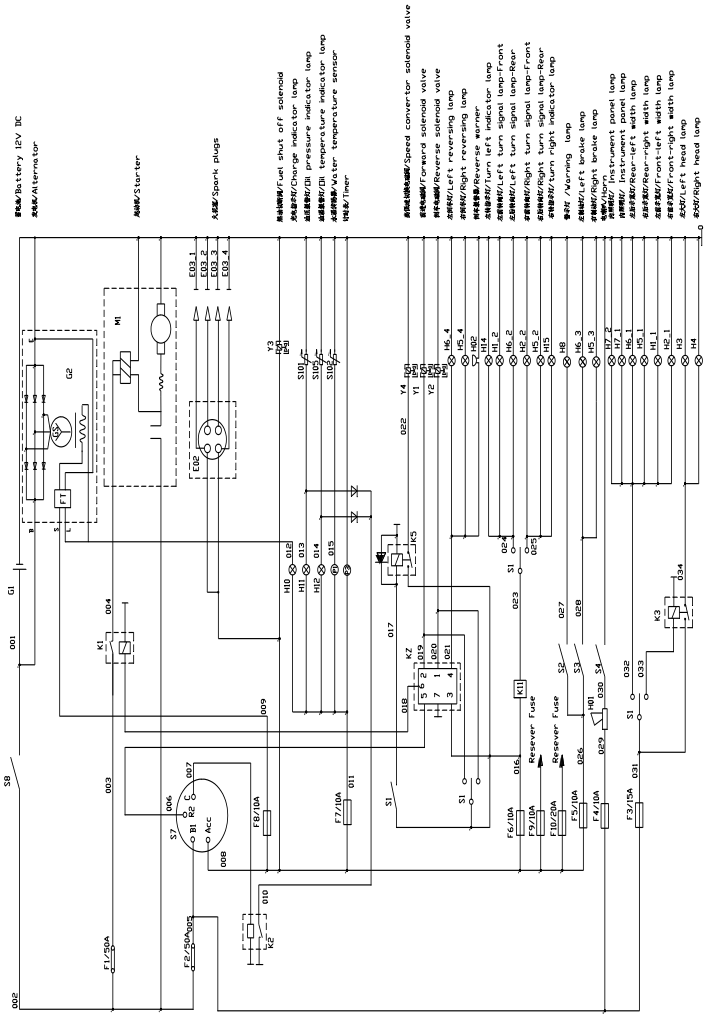


图7 电气系统 (CE)
Fig.7 Electrical system (CE)

Ⓒ CPYD40/45-RW17

Ⓓ CPYD50-RXW17

电换向 Electrical change direction

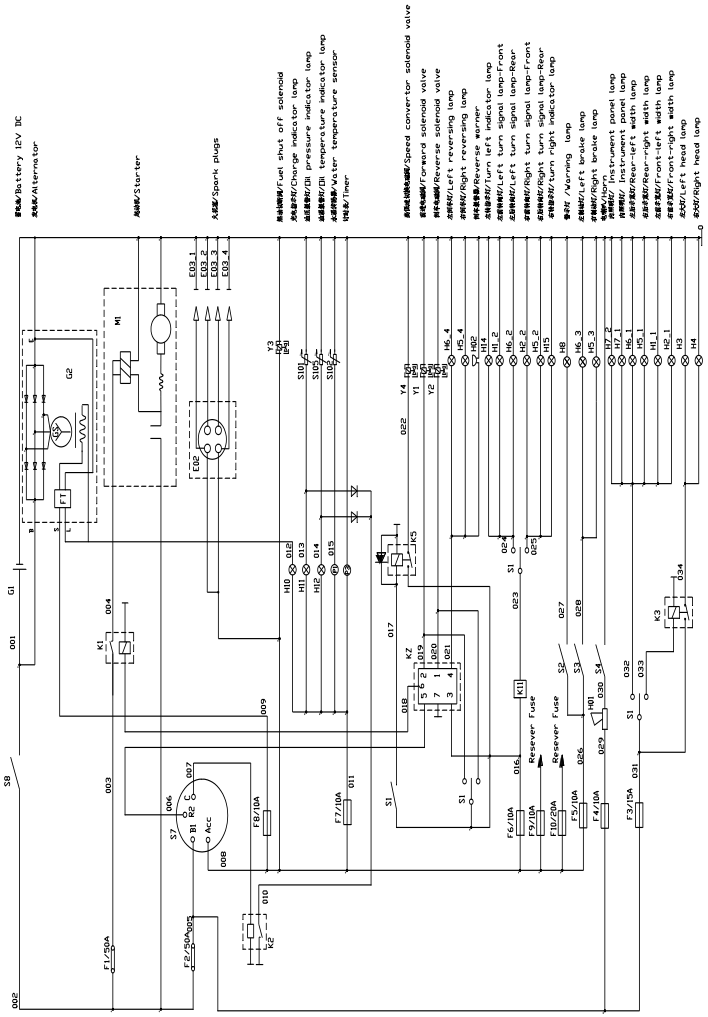


序号 Item	物料码 Part NO.	名称 Description	数量 Qty	备注或适用车型 Remarks Or Serial NO.
E02		分电器 Distributor	(1)	发动机配套 Supply by engine
E03		火花塞 Spark plug	(1)	发动机配套 Supply by engine
F3-F10	N163-704000-820	保险丝盒 Fuse Box	1	
G1	R840-700001-000	蓄电池 Battery	1	
G2		发电机 Alternator	(1)	发动机配套 Supply by engine
H1-H2		前小灯总成 Front lamps assembly	1	见图IV See Fig. IV
H3-H4		前大灯总成 Rear lamps assembly	2	见图IV See Fig. IV
H5-H6		组合尾灯 Combination tail lamp	1	见图V See Fig. V
H7	12/2W	内照明灯 Instrument panel lamp	2	
H8	R960-707100-500	警灯 Warning lamp	1	
H10	12/2W	充电指示灯 Charge indicator lamp	1	
H11	12/2W	油压指示灯 Oil pressure indicator lamp	1	
H12	12/2W	油温指示灯 Oil temperature indicator lamp	1	
H14	12/2W	左转指示灯 Left turn signal lamp	1	
H15	12/2W	右转指示灯 Right turn signal lamp	1	

图7 电气系统 (CE)
Fig.7 Electrical system (CE)

© CPYD40/45-RW17 ① CPYD50-RXW17

电换向 Electrical change direction

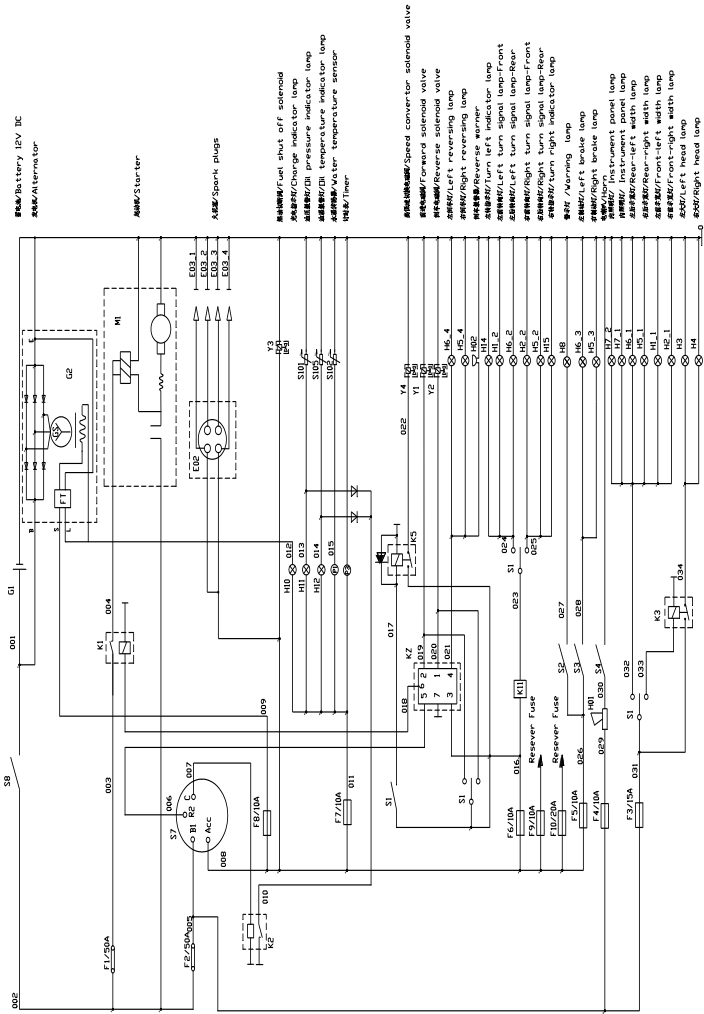


序号 Item	物料码 Part NO.	名称 Description	数量 Qty	备注或适用车型 Remarks Or Serial NO.
H01	DL124ED-G00	电喇叭 Horn	1	
H02	DJB-12-G00	倒车报警器 Reverse warner	1	
K1	N163-702200-820	起动继电器 Start relay	1	
K2	N163-700010-820	检查继电器 Check relay	1	
K3	N163-700010-820	大灯继电器 Head lamp relay	1	
K5	N163-700010-820	高低速切换继电器 Speed convertor relay	1	
K11	N163-701100-000	电子闪光灯 Flasher	1	
KZ	H24C2-40601-G00	控制盒 Control box	1	
M1		起动机 Starter	(1)	发动机配套 Supply by engine
P1	DW-2HZA	水温表 Water temperature gauge	(1)	组合仪表配套 Combination meter
P3	D-704-1E	计时表 Timer	(1)	组合仪表配套 Combination meter
S1	GR501-703000-000	组合开关总成 Multifunction Switch	1	
S2	JK106-G00	警示灯开关 Warning lamp switch	1	
S3	N163-700600-000	制动灯开关 Brake switch	1	
S4		喇叭按钮 Horn button	(1)	方向盘 Supply by steering wheel

图7 电气系统 (CE)
Fig.7 Electrical system (CE)

© CPYD40/45-RW17 ① CPYD50-RXW17

CE 电换向 Electrical change direction



序号 Item	物料码 Part NO.	名称 Description	数量 Qty	备注或适用车型 Remarks Or Serial NO.
S7	JK406C-G00	预热起开开关 Preheat & start switch	1	
S8	ED250B-1-G00	紧急断电开关 Master disconnect	1	
S101		油压传感器 Oil pressure sensor	(1)	发动机配套 Supply by engine
S102	WG-2(M12x1.25)	水温传感器 Water temperature sensor	(1)	组合仪表配套 Combination meter
S105	WG-2K (RC3/4) -G00	油温传感器 Oil temperature sensor	(1)	
Y1		前进电磁阀 Forward solenoid valve	(1)	变速箱配套 Supply by transmission box
Y2		倒车电磁阀 Reverse solenoid valve	(1)	变速箱配套 Supply by transmission box
Y3		燃油切断电磁阀 Fuel shut off solenoid valve	(1)	变速箱配套 Supply by transmission box
Y4		高低速切换电磁阀 Speed convertor solenoid valve	(1)	变速箱配套 Supply by transmission box
线号 001	R457-70300-820	蓄电池接电源开关线 Battery to Master disconnect	1	
线号 002	R457-700200-820	起动机正电源线 Master disconnect to Starter	1	
003- 034	R453-710000-820	车身主线束 Main wire-harness	1	
线号 0	R960-700300-820	起动机接地线 Starter to earth wire	1	
线号 0	N163-700200-820	蓄电池负极引线 Cable, Battery(-)	1	

图 8 电气系统 (CE)
Fig.8 Electrical system (CE)

© CPYD40/45-RW17

Ⓜ CPYD50-RXW17

非电换向 Machinery change direction

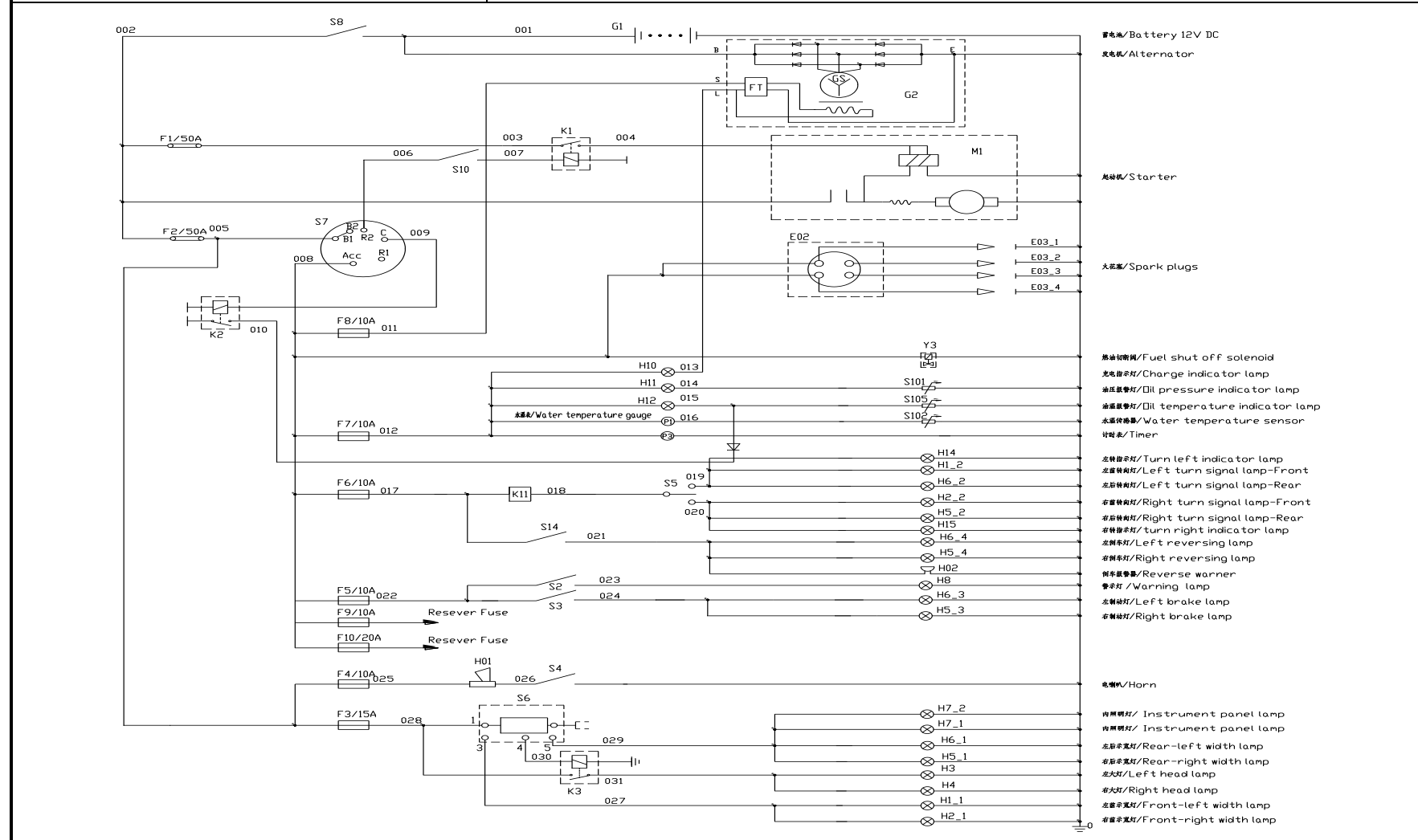
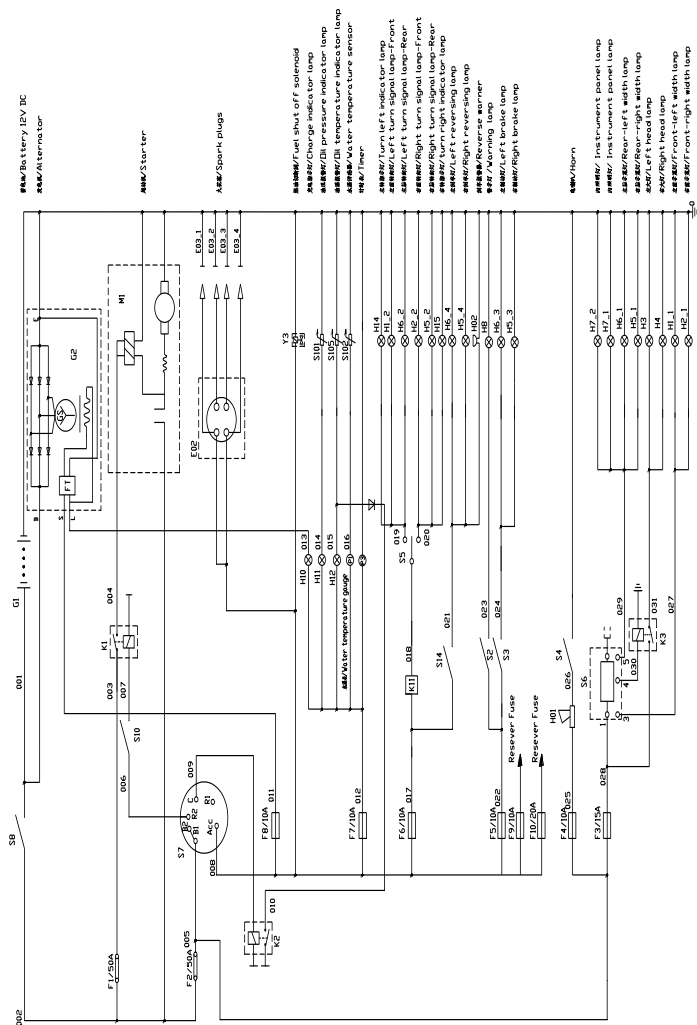


图 8 电气系统 (CE)
Fig.8 Electrical system (CE)

© CPYD40/45-RW17

Ⓜ CPYD50-RXW17

非电换向 Machinery change direction

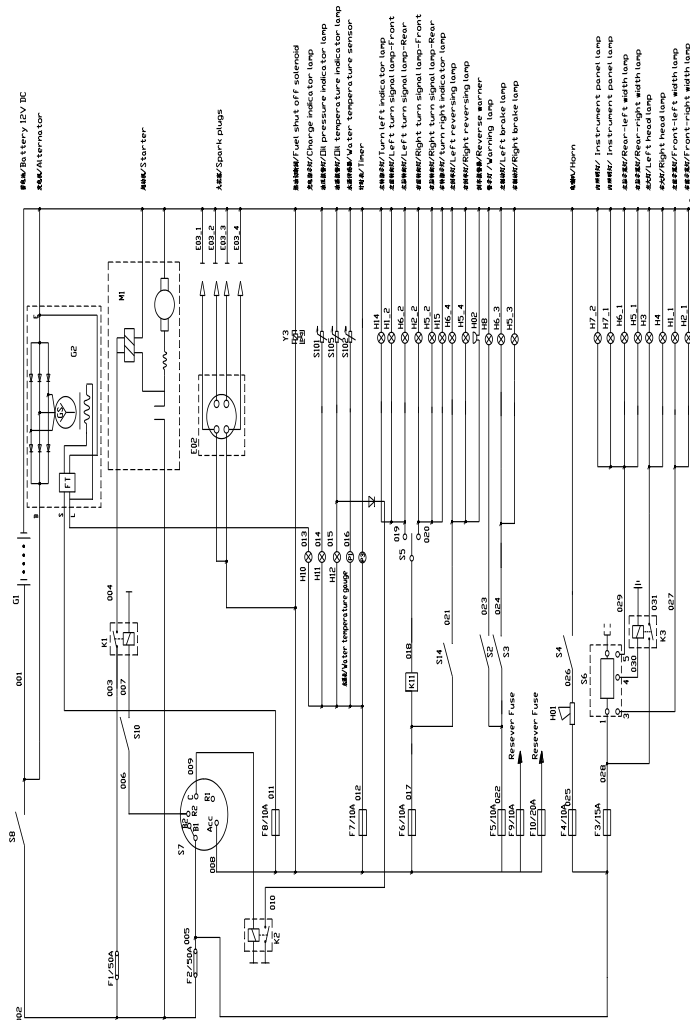


序号 Item	物料码 Part NO.	名称 Description	数量 Qty	备注或适用车型 Remarks Or Serial NO.
E02		分电器 Distributor	(1)	发动机配套 Supply by engine
E03		火花塞 Spark plug	(1)	发动机配套 Supply by engine
F3-F10	N163-704000-820	保险丝盒 Fuse Box	1	
G1	R840-700001-000	蓄电池 Battery	1	
G2		发电机 Alternator	(1)	发动机配套 Supply by engine
H1-H2		前小灯总成 Front lamps assembly	1	见图IV See Fig. IV
H3-H4		前大灯总成 Rear lamps assembly	2	见图IV See Fig. IV
H5-H6		组合后灯 Combination tail lamp	1	见图V See Fig. V
H7	12/2W	内照明灯 Instrument panel lamp	2	
H8	R960-707100-500	警灯 Warning lamp	1	
H10	12/2W	充电指示灯 Charge indicator lamp	1	
H11	12/2W	油压指示灯 Oil pressure indicator lamp	1	
H12	12/2W	油温指示 Oil temperature indicator lamp	1	
H14	12/2W	左转指示灯 Left turn signal lamp	1	
H15	12/2W	右转指示灯 Right turn signal lamp	1	

图 8 电气系统 (CE)
Fig.8 Electrical system (CE)

© CPYD40/45-RW17 ① CPYD50-RXW17

非电换向 Machinery change direction

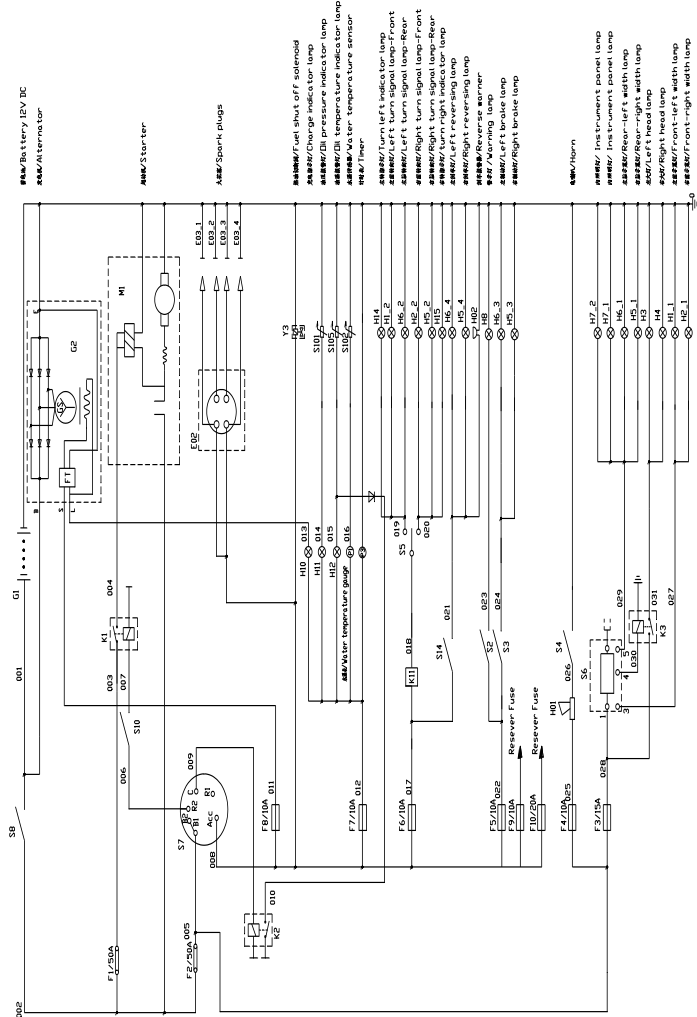


序号 Item	物料码 Part NO.	名称 Description	数量 Qty	备注或适用车型 Remarks Or Serial NO.
H01	DL124ED-G00	电喇叭 Horn	1	
H02	DJB-12-G00	倒车报警器 Reverse warner	1	
K1	N163-702200-820	起动继电器 Start relay	1	
K2	N163-700010-820	检查继电器 Check relay	1	
K3	N163-700010-820	大灯继电器 Head lamp relay	1	
K11	N163-701100-000	电子闪光器 Flasher	1	
M1		起动机 Starter	(1)	发动机配套 Supply by engine
P1	DW-2HZ A	水温表 Water temperature gauge	(1)	组合仪表配套 Combination meter
P3	D-704-1E	计时表 Timer	(1)	组合仪表配套 Combination meter
S2	JK106-G00	警示灯开关 Warning lamp switch	1	
S3	N163-700600-000	制动灯开关 Brake switch	1	
S4		喇叭按钮 Horn button	(1)	方向盘 Supply by steering wheel
S5	R963-705000-000	转向灯开关 Turn signal lamp switch	1	
S6	JK107-G00	大小灯开关 Head lamp & signal lamp switch	1	
S7	JK406C-G00	预热起动开关 Preheat & start switch	1	

图 8 电气系统 (CE)
Fig.8 Electrical system (CE)

© CPYD40/45-RW17 ① CPYD50-RXW17

非电换向 Machinery change direction



序号 Item	物料码 Part NO.	名称 Description	数量 Qty	备注或适用车型 Remarks Or Serial NO.
S8	ED250B-1-G00	紧急断电开关 Master disconnect	1	
S10	JK208A	空挡起动开关 Neutral start switch	(1)	变速箱配套 Supply by transmission box
S14	JK208A	倒车灯开关 Reversing lamp switch	(1)	变速箱配套 Supply by transmission box
S101		油压传感器 Oil pressure sensor	(1)	发动机配套 Supply by engine
S102	WG-2(M12x1.25)	水温传感器 Water temperature sensor	(1)	组合仪表配套 Combination meter
S105	WG-2K (RC3/4) -G00	油温传感器 Oil temperature sensor	1	
Y3		燃油切断电磁阀 Fuel shut off solenoid valve	(1)	变速箱配套 Supply by transmission box
线号 001	R457-703000-820	蓄电池接电源开关线 Battery to Master disconnect	1	
线号 002	R457-700200-820	起动机正电源线 Master disconnect to Starter	1	
003-0 31	R453-710000-820	车身主线束 Main wire-harness	1	
线号 0	R960-700300-820	起动机接地线 Starter to earth wire	1	
线号 0	N163-700200-820	蓄电池负极引线 Battery negative cable	1	

第八部分 驾驶室系统

Part VIII Cab system

序号 Item	名称 Description	适用车型 Serial no.	页码 Page
图 1-1 Fig.1-1	驾驶室整体示意 1 Overall of cab 1	4t-x5t	8-1
图 1-2 Fig.1-2	驾驶室整体示意 2 Overall of cab 2	4t-x5t	8-2
图 2-1 Fig.2-1	整体框架系统-1 Overall frame system-1	4t-x5t	8-3
图 2-2 Fig.2-2	整体框架系统-2 Overall frame system-2	4t-x5t	8-5
图 2-3 Fig.2-3	整体框架系统-3 Overall frame system-3	4t-x5t	8-7
图 3 Fig.3	前窗系统 Front windows system	4t-x5t	8-8
图 4 Fig.4	左侧门系统 Left door system	4t-x5t	8-10
图 5-1 Fig.5-1	右侧门系统 Right door system	4t-x5t 标准款 4t-x5t standard type	8-12
图 5-2 Fig.5-2	右侧门系统(CE) Right door system(CE)	4t-x5t, CE	8-14
图 6 Fig.6	后窗系统 Rear windows system	4t-x5t	8-17
图 7 Fig.7	天窗系统 Skylight system	4t-x5t	8-21

图 1-1 驾驶室整体示意 1
Fig. 1-1 overall of cab 1

4t-x5t

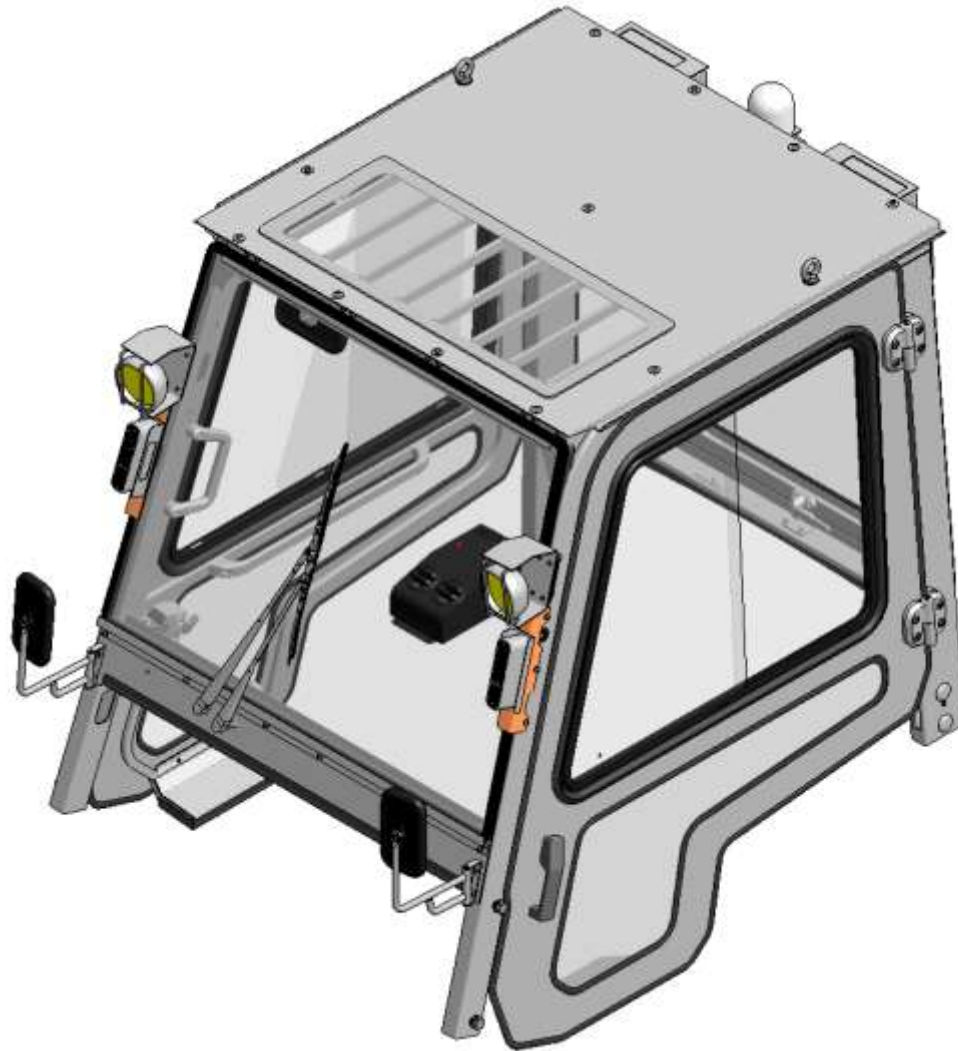


图 1-2 驾驶室整体示意 2
Fig. 1-2 overall of cab 2

4t-x5t

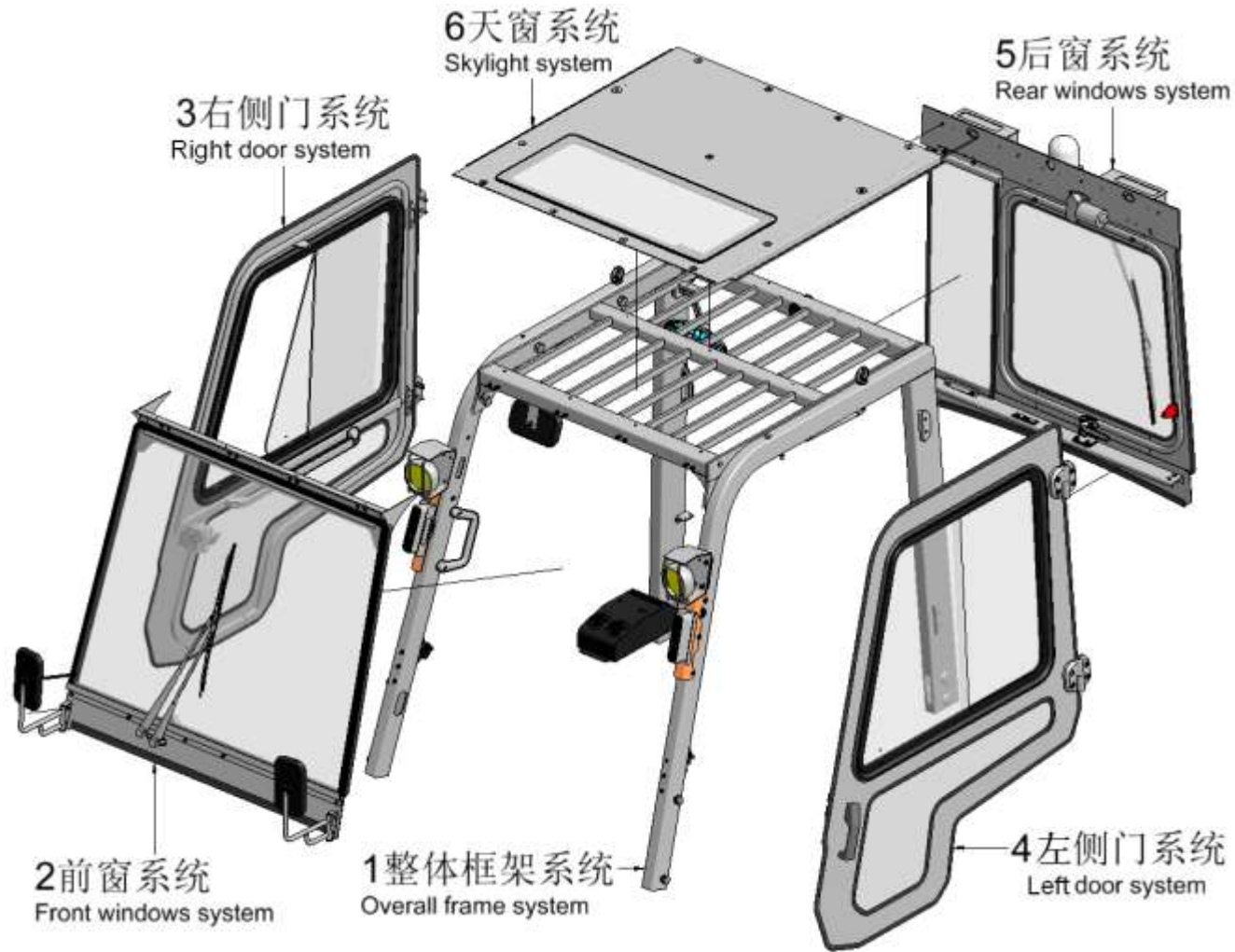


图 2-1 整体框架系统-1
Fig.2-1 overall frame system-1

4t-x5t

	序号 Item	代号 Part No.	名称 Description	数量 Qty	备注或适用车型 Remarks or serial No.
	1	JR480A-101000-000	左侧腿总成 Left side leg assy	1	
	2	N163-800005-000	螺栓 M16×1.5×40 Bolt M16×1.5×40	8	
	2	GB93-87-M16	弹簧垫圈 16 Washer 16	8	
	2	GB95-2002-16	平垫圈 c 级 16 Washer 16	8	
	3	N163-800004-000	橡胶塞 Rubber plug	4	
	4	JJP300-100005-000	后横梁支座 Rear beam support	2	
	5	GB818-M6×18	圆头十字槽螺丝 M6×18 Screw M6×18	4	
	5	GB93-87-M6	弹簧垫圈 M6 Spring pads M6	4	
	5	GB95-2002-6	Plain washers-product grade c 6,平垫圈 c 级 6	4	
	6	YQL380-145-180N	Rear window gas spring 后窗气弹簧	1	
7	YQL540-200-180N	门上气弹簧 Door gas spring	2		
8	N163-420500-000	螺栓组件 Bolt assy	10		
9	JR480A-103000-000	顶棚 Ceiling	1	标准车 Standard type	
9	JR480A-103000-K00	顶棚 Ceiling	1	Air-condition optional 选 配空调用	
10	RC250-700001-000	后灯线保护套 Case	5		

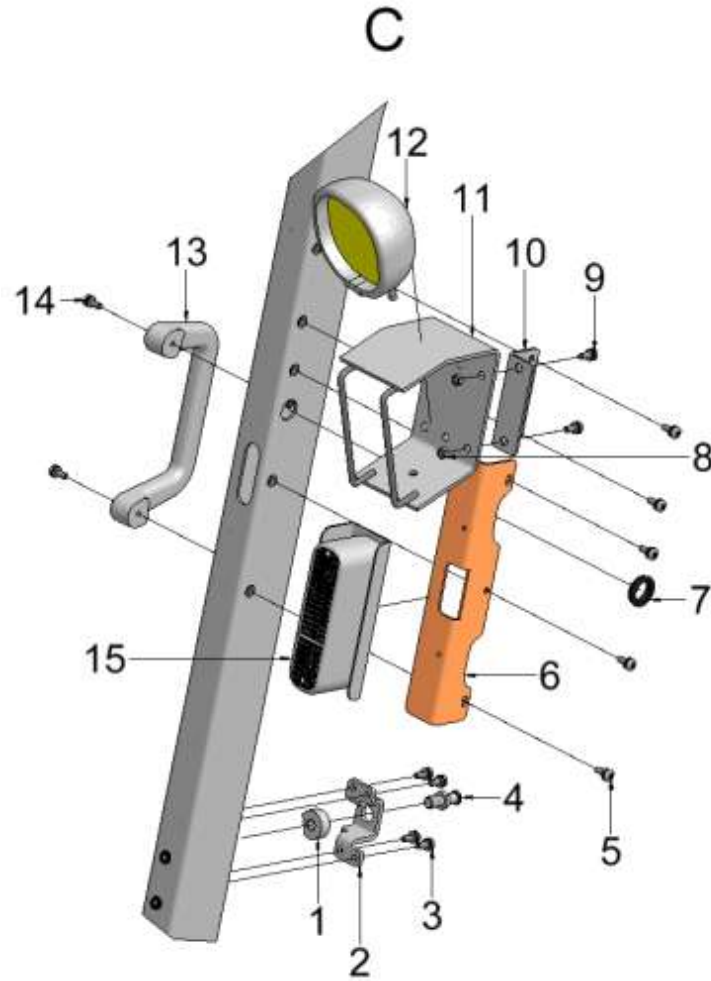
图 2-1 整体框架系统-1
Fig.2-1 overall frame system-1

4t-x5t

序号 Item	代号 Part No.	名称 Description	数量 Qty	备注或适用车型 Remarks or serial No.
11	JFS1201-G00	电风扇 Fan	1	12v
11	JFS2401-G00	电风扇 Fan	1	24v
12	GB6170-86-M8	螺母 m8 Nut m8	1	
12	GB93-87-M8	弹簧垫圈 m8 Spring pads m8	1	
12	GB95-2002-8	Plain washers-product grade c 8,平垫圈 c 级 8	1	
13	JR960-000034-000	观后视镜安装架 Mounting rack	1	
14	GB818-M6x16	圆头十字槽螺丝 M6x16 Screw M6x16	2	
14	GB93-87-M6	弹簧垫圈 M6 Spring pads M6	2	
14	GB95-2002-6	Plain washers-product grade c 6,平垫圈 c 级 6	2	
15	30060-G00	后视镜 Rearview mirror	1	
16	JR480A-500000-G00	暖风机总成 Fan heater assy	1	
16	JR480B-500000-G00	暖风机总成 Fan heater assy	1	CE 暖风机 fan heater
17	JPSH-100-G00	喷水壶 Blow can	2	12v 选配 optional (CE 标配/standard)
17	JPSH-200-G00	喷水壶 Blow can	2	24v 选配 optional (CE 标配/standard)
18	JR480B-800001-000	水壶支架 Support	1	选配 optional (CE 标配/standard)

图 2-2 整体框架系统-2
Fig.2-2 overall frame system-2

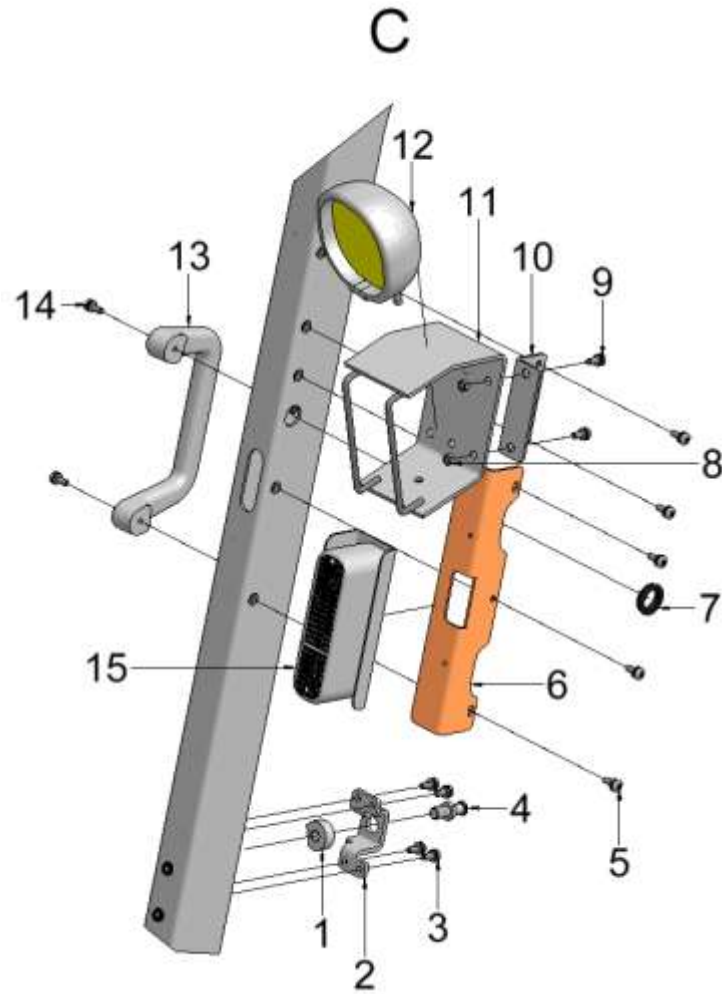
4t-x5t



序号 Item	代号 Part No.	名称 Description	数量 Qty	备注或适用车型 Remarks or serial No.
1	14RH-210002	螺母 m8 Nut m8	1	
2	JJP300-100002-000	锁座 Lock plate	1	
3	GB818-M6×16	圆头十字槽螺丝 M6×16 Screw M6×16	2	
3	GB93-87-M6	弹簧垫圈 M6 Spring pads M6	2	
3	GB95-2002-6	Plain washers-product grade c 6,平垫圈 c 级 6	2	
A1	JMS-001-G00	门锁把手总成 Lock handle assy	2	Inc:4+fig.4 item 16,22
4	JMS-0013-G00	锁柱 Occlusion	2	不单独提供 do not supply separately
5	GB818-M6×16	圆头十字槽螺丝 M6×16 Screw M6×16	10	
5	GB93-87-M6	弹簧垫圈 M6 Spring pads M6	10	
5	GB95-2002-6	Plain washers-product grade c 6,平垫圈 c 级 6	10	
6	JR960-000042-000	压紧板 Plate	2	
7	N163-700002-000	前灯线保护套塞子 Plug	2	
8	GB6170-86-M6	六角螺母 M8x25 Hexagon nuts M8	4	
9	GB818-M6×16	圆头十字槽螺丝 M6×16 Screw M6×16	4	
9	GB93-87-M6	弹簧垫圈 M6 Spring pads M6	4	

图 2-2 整体框架系统-2
Fig.2-2 overall frame system-2

4t-x5t



序号 Item	代号 Part No.	名称 Description	数量 Qty	备注或适用车型 Remarks or serial No.
9	GB95-2002-6	Plain washers-product grade c 6,平垫圈 c 级 6	4	
10	JR930-100100-000	前大灯支架 Head lamp frame	2	
11	R960-761000-000	前大灯安装架 Head lamp support	2	
12	GR505-740100-000	前大灯 Head lamp	2	12v
12	GR501-740100-000	前大灯 Head lamp	2	24v
13	JCLS186-000-G00	上车拉手 Armrest	2	
14	GB818-M6x16	圆头十字槽螺丝 M6x16 Screw M6x16	4	
14	GB93-87-M6	弹簧垫圈 M6 Spring pads M6	4	
14	GB95-2002-6	Plain washers-product grade c 6,平垫圈 c 级 6	4	
15	GR501-730000-002	前小灯总成 Front lamps assy	1	Led

图 2-3 整体框架系统-3
Fig.2-3 overall frame system-3

4t-x5t

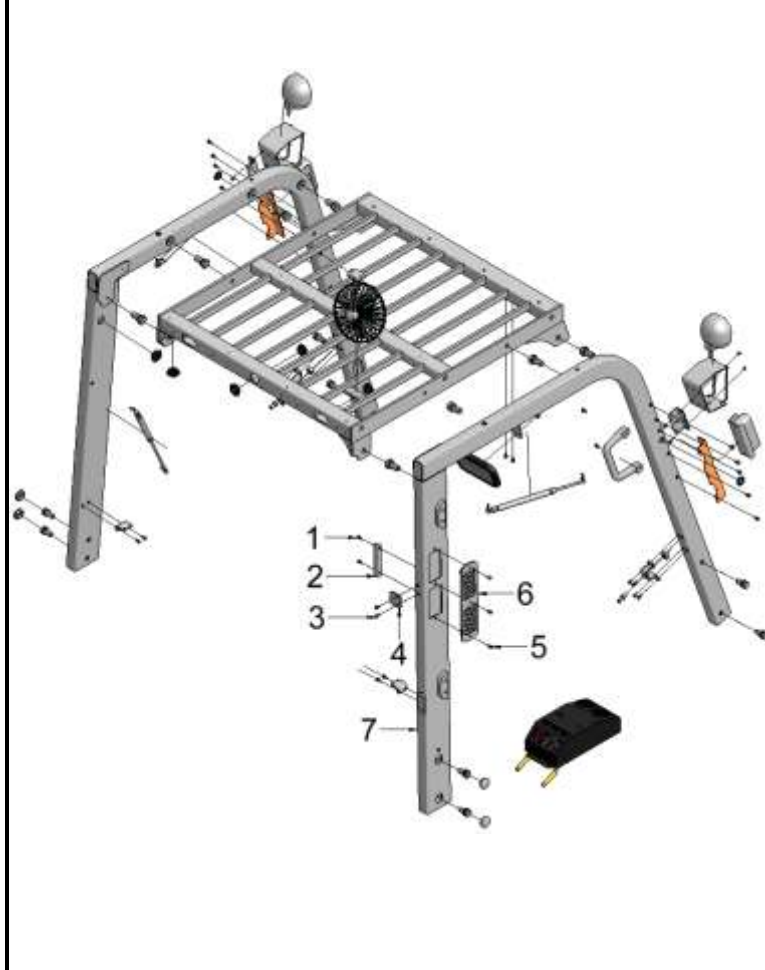
	序号 Item	代号 Part No.	名称 Description	数量 Qty	备注或适用车型 Remarks or serial No.
	1	GB818-M6×16	圆头十字槽螺丝 M6×16 Screw M6×16	2	
	1	GB93-87-M6	弹簧垫圈 m6 Spring pads m6	2	
	1	GB95-2002-6	Plain washers-product grade c 6,平垫圈 c 级 6	1	
	2	JR960-100001-000	后横挡板 Rear dam board	1	
	3	GB818-M6×16	圆头十字槽螺丝 M6×16 Screw M6×16	2	
	3	GB93-87-M6	弹簧垫圈 M6 Spring pads M6	2	
	3	GB95-2002-6	Plain washers-product grade c 6,平垫圈 c 级 6	2	
	4	JR960-000004-000	压板 Platen	1	
	5	GB818-M5×16	圆头十字槽螺丝 M5×16 Screw M5×16	3	
	5	GB93-87-M5	弹簧垫圈 M5 Spring pads M5	3	
	5	GB95-2002-5	Plain washers-product grade c 5,平垫圈 c 级 5	3	
	6	R450-800001-000	盖板 Cover plate	1	
	7	JR480A-102000-000	右侧腿总成 Right side leg assy	1	

图3 前窗系统
Fig.3 front windows system

4t-x5t

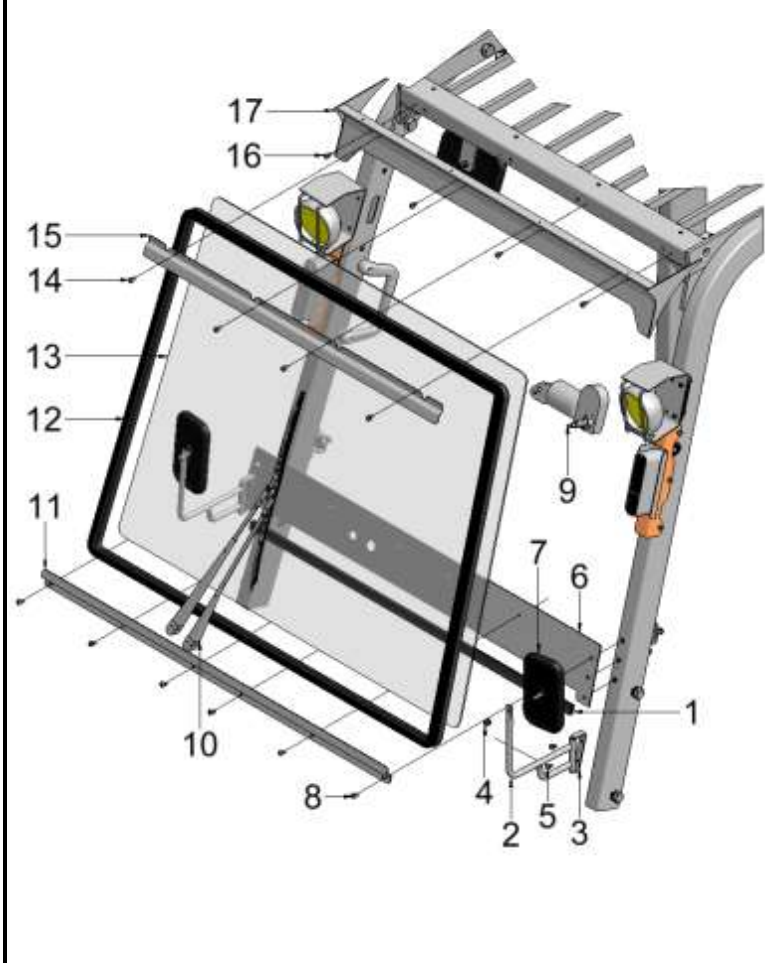
	序号 Item	代号 Part No.	名称 Description	数量 Qty	备注或适用车型 Remarks or serial No.
	1	JXJ004-G00-1100	前下玻璃胶条 1100mm Adhesive tape	1	L=1100mm
	2	JJP300-100800-000	观后视镜支架 Support	2	选配 optional (CE 标配/standard)
	3	JJP300-100007-000	支板 Plate	2	选配 optional (CE 标配/standard)
	4	GB6170-86-M8	螺母 m8 Nut m8	2	选配 optional (CE 标配/standard)
	4	GB93-87-M8	弹簧垫圈 m8 Spring pads m8	2	选配 optional (CE 标配/standard)
	4	GB95-2002-8	Plain washers-product grade c 8,平垫圈 c 级 8	2	选配 optional (CE 标配/standard)
	5	GB818-M6×16	圆头十字槽螺丝 M6×16 Screw M6×16	4	
	5	GB93-87-M6	弹簧垫圈 M6 Spring pads M6	4	
	5	GB95-2002-6	Plain washers-product grade c 6,平垫圈 c 级 6	4	
	6	JR480-600002-000	连接板 Junction plate	1	
	7	30060-G00	后视镜 Rearview mirror	2	选配 optional (CE 标配/standard)
	8	GB818-M6×16	圆头十字槽螺丝 M6×16 Screw M6×16	2	
	8	GB93-87-M6	弹簧垫圈 M6 Spring pads M6	2	
	8	GB95-2002-6	Plain washers-product grade c 6,平垫圈 c 级 6	2	
	9	JR480A-001100-G00	雨刮器电机 Wipe wash motor	1	12v

图3 前窗系统
Fig.3 front windows system

4t-x5t

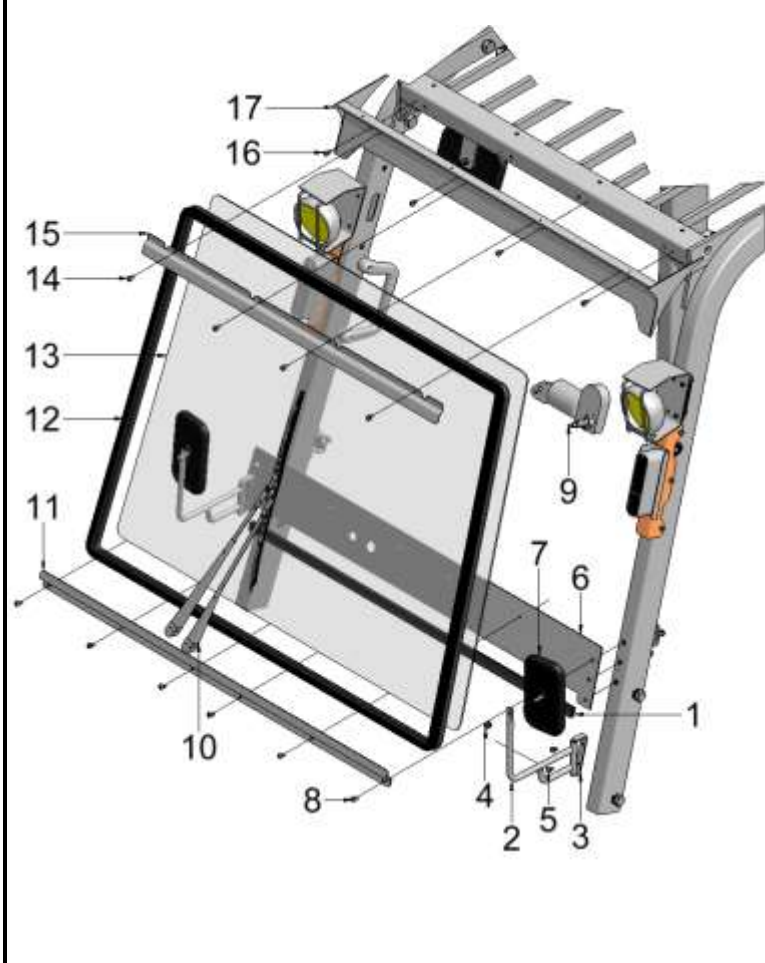
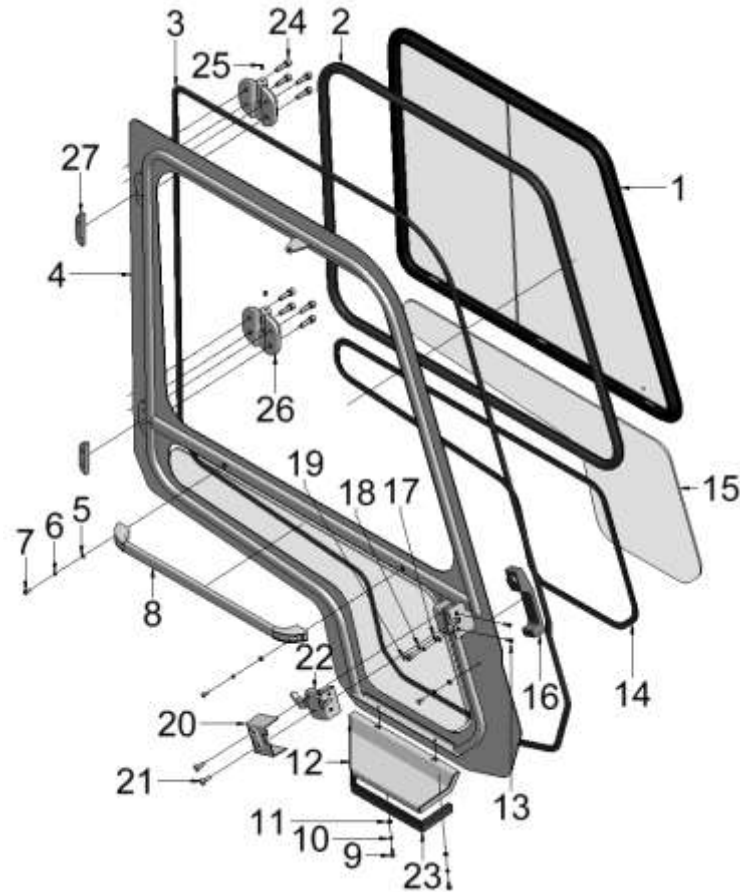
	序号 Item	代号 Part No.	名称 Description	数量 Qty	备注或适用车型 Remarks or serial No.
	9	JGR501A-001100-G00	雨刮器电机 Wipe wash motor	1	24v
	10	JR480A-001200-G00	雨刮杆 Wiper rod	1	
	10	JR480A-001300-G00	雨刮片 Wiper blade	1	
	11	JR480-600001-000	前盖压板 Platen	1	
	12	JXJ005-G00-3970	前挡胶条 3970mm Block gine	1	L=3970mm
	13	JR480A-000001-G00	前挡玻璃 Glass	1	
	14	GB818-M6x16	圆头十字槽螺丝 M6x16 Screw M6x16	4	
	14	GB93-87-M6	弹簧垫圈 M6 Spring pads M6	4	
	14	GB95-2002-6	Plain washers-product grade c 6,平垫圈 c 级 6	4	
	15	JJP300-100003-000	压紧板 Keep plate	1	
	16	GB818-M6x16	圆头十字槽螺丝 M6x16 Screw M6x16	4	
	16	GB93-87-M6	弹簧垫圈 M6 Spring pads M6	4	
	16	GB95-2002-6	Plain washers-product grade c 6,平垫圈 c 级 6	4	
	17	JR480-104000-000	前主梁 Front girder	1	

图4 左侧门系统
Fig.4 left door system

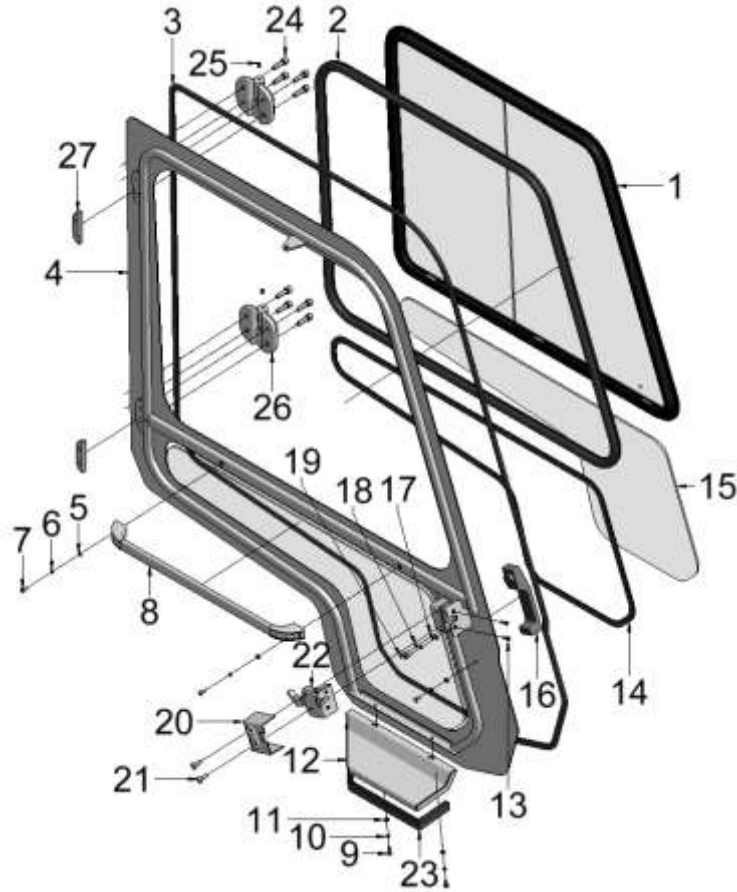
4t-x5t



序号 Item	代号 Part No.	名称 Description	数量 Qty	备注或适用车型 Remarks or serial No.
1	JR480A-220000-G00	铝窗总成(左) Al windows assy (left)	1	
2	JXJ002-G00-3230	铝窗密封条 3230mm Seal rubber	1	L=3230mm
3	JXJ006-G00-4820	车门密封条 4820mm Seal rubber	1	L=4820mm
4	JR480A-200000-000	左侧门框架 Left door frame	1	
5	GB95-2002-6	Plain washers-product grade c 6,平垫圈 c 级 6	2	
6	GB93-87-M6	弹簧垫圈 m6 Spring pads m6	2	
7	GB818-M6×16	圆头十字槽螺丝 M6×16 Screw M6×16	2	
8	JMLS610-000-G00	门拉手 Door knob	1	
9	GB818-M6×16	圆头十字槽螺丝 M6×16 Screw M6×16	2	
10	GB93-87-M6	弹簧垫圈 M6 Spring pads M6	2	
11	GB95-2002-6	Plain washers-product grade c 6,平垫圈 c 级 6	2	
12	JR480-001000-000	左踏板 Pedal left	1	
13	GB819.1-2000-M6X20	十字槽沉头螺丝 Screw M6×20	2	
14	JXJ002-G00-2580	铝窗密封条 2580mm Seal rubber	2	L=2580mm
15	JR480A-000006-G00	左门下玻璃 Left door glass	1	

图4 左侧门系统
Fig.4 left door system

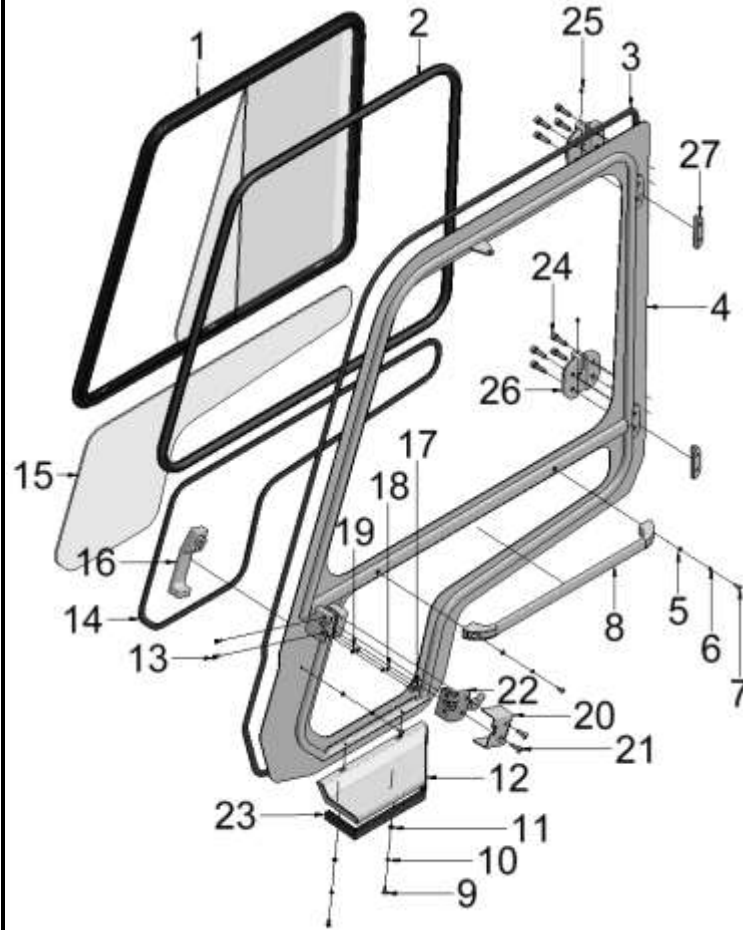
4t-x5t



序号 Item	代号 Part No.	名称 Description	数量 Qty	备注或适用车型 Remarks or serial No.
A1	JMS-001-G00	门锁把手总成 Lock handle assy	2	Inc:16,22+fig.2-2 item 4
16	JMS-0011-G00	门锁把手 Lock handle	1	不单独提供 do not supply separately
17	GB818-M6x16	圆头十字槽螺丝 M6x16 Screw M6x16	3	
18	GB93-87-M6	弹簧垫圈 M6 Spring pads M6	3	
19	GB95-2002-6	Plain washers-product grade c 6,平垫圈 c 级 6	3	
20	JMSW-001-G00	门锁罩 Lock cover	1	
21	GB818-M8x25	圆头十字槽螺丝 M8x25 Screw M8x25	2	
22	JMS-0012-G00	门锁 Lock	1	不单独提供 do not supply separately
23	JXJ004-G00-500	踏板胶条 500mm Pedal rubber	1	L=500mm
24	GB70-85-M10x35	螺栓 M10x35 Bolt M10x35	8	
24	GB93-87-10	垫圈 10 Washer 10	8	
25	GB1153-89-M6	油嘴 M6 Grease fitting M6	1	
26	JJP300-100100-G00	左侧门铰链 Left door hinge	2	
27	JR480-000001-000	垫板 Plate	2	

图 5-1 右侧门系统
Fig.5-1 right door system

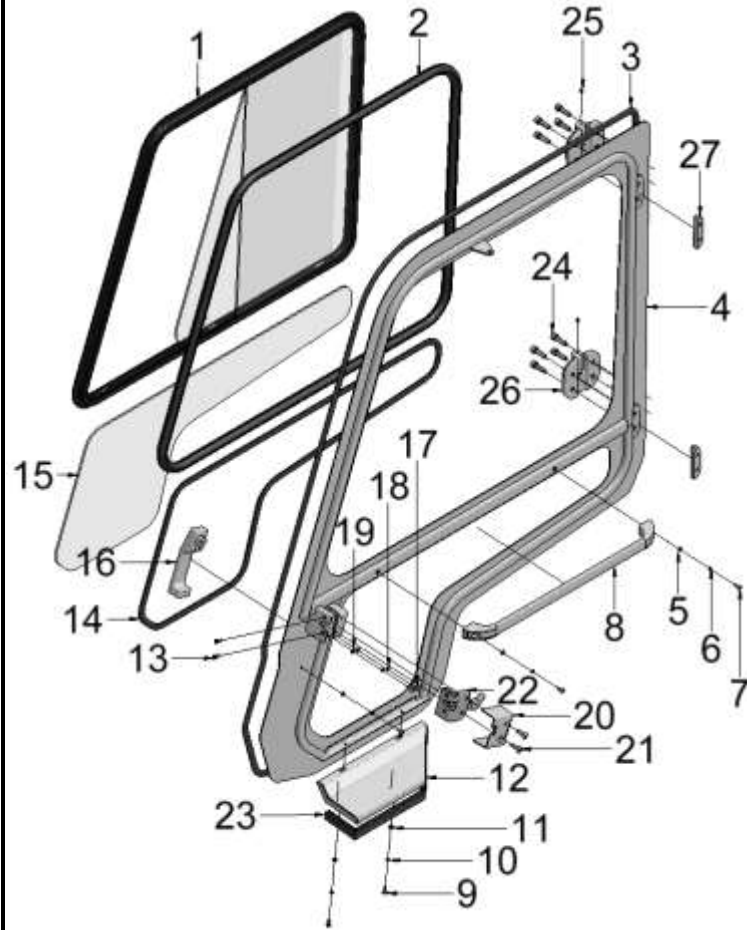
4t-x5t 标准款
4t-x5t standard type



序号 Item	代号 Part No.	名称 Description	数量 Qty	备注或适用车型 Remarks or serial No.
1	JR480A-320000-G00	铝窗总成(右) Al windows assy (right)	1	
2	JXJ002-G00-3230	铝窗密封条 3230mm Seal rubber	1	L=3230mm
3	JXJ006-G00-4820	车门密封条 4820mm Seal rubber	1	L=4820mm
4	JR480A-300000-000	右侧门框架 Right door frame	1	
5	GB95-2002-6	Plain washers-product grade c 6,平垫圈 c 级 6	2	
6	GB93-87-M6	弹簧垫圈 M6 Spring pads M6	2	
7	GB818-M6x16	圆头十字槽螺丝 M6x16 Screw M6x16	2	
8	JMLS610-000-G00	门拉手 Door knob	1	
9	GB818-M6x16	圆头十字槽螺丝 M6x16 Screw M6x16	2	
10	GB93-87-M6	弹簧垫圈 M6 Spring pads M6	2	
11	GB95-2002-6	Plain washers-product grade c 6,平垫圈 c 级 6	2	
12	JR480-002000-000	右踏板 Pedal right	1	
13	GB819.1-2000-M6X20	十字槽沉头螺丝 screw M6x20	2	
14	JXJ002-G00-2580	铝窗密封条 2580mm Seal rubber	2	L=2580mm
15	JA480A-000007-G00	右门下玻璃 Right door glass	1	

图 5-1 右侧门系统
Fig.5-1 right door system

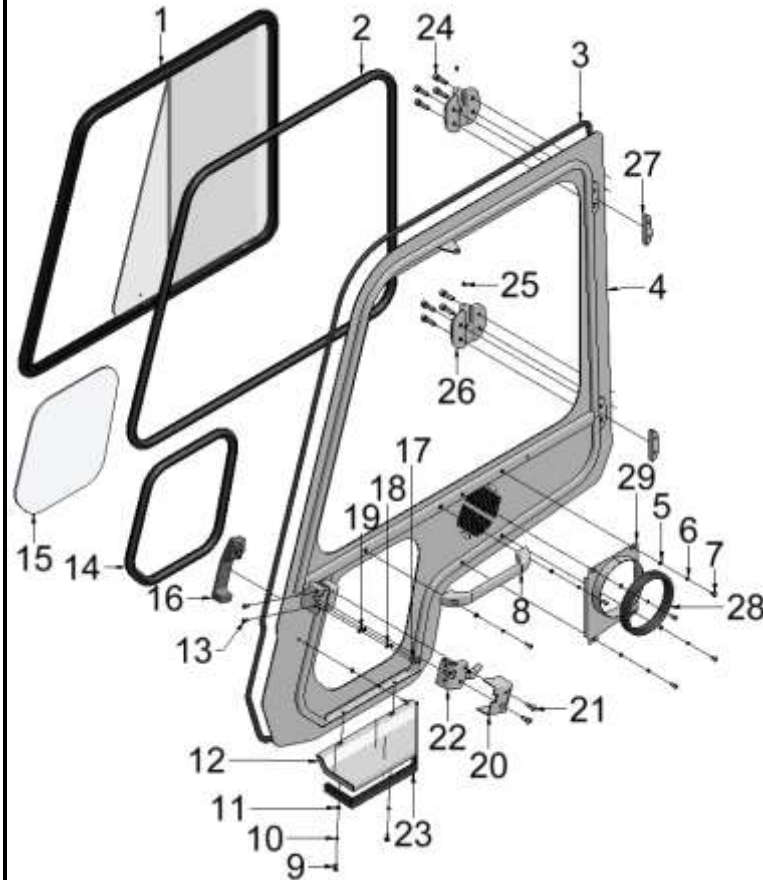
4-x5 吨标准款
4t-x5t standard type



序号 Item	代号 Part No.	名称 Description	数量 Qty	备注或适用车型 Remarks or serial No.
A1	JMS-001-G00	门锁把手总成 Lock handle assy	2	Inc:16,22+fig.2-2 item 4
16	JMS-0011-G00	门锁把手 Lock handle	1	不单独提供 do not supply separately
17	GB818-M6x16	圆头十字槽螺丝 M6x16 Screw M6x16	2	
18	GB93-87-M6	弹簧垫圈 M6 Spring pads M6	2	
19	GB95-2002-6	Plain washers-product grade c 6,平垫圈 c 级 6	2	
20	JMSW-001-G00	门锁罩 Lock cover	1	
21	GB818-M8x25	圆头十字槽螺丝 M8x25 Screw M8x25	2	
22	JMS-0012-G00	门锁 Lock	1	不单独提供 do not supply separately
23	JXJ004-G00-500	踏板胶条 500mm Pedal rubber	1	L=500mm
24	GB70-85 M10X30	内六角螺栓 M10x30 Bolt M10x30	8	
24	GB93-87-M10	弹簧垫圈 M10 Spring pads M10	8	
25	GB1153-89-M6	油嘴 M6 Grease fitting M6	8	
26	JJP300-100200-G00	右侧门铰链 Right door hinge	2	
27	JR480-000001-000	垫板 Plate	2	

图 5-2 右侧门系统(CE)
Fig.5-2 right door system (CE)

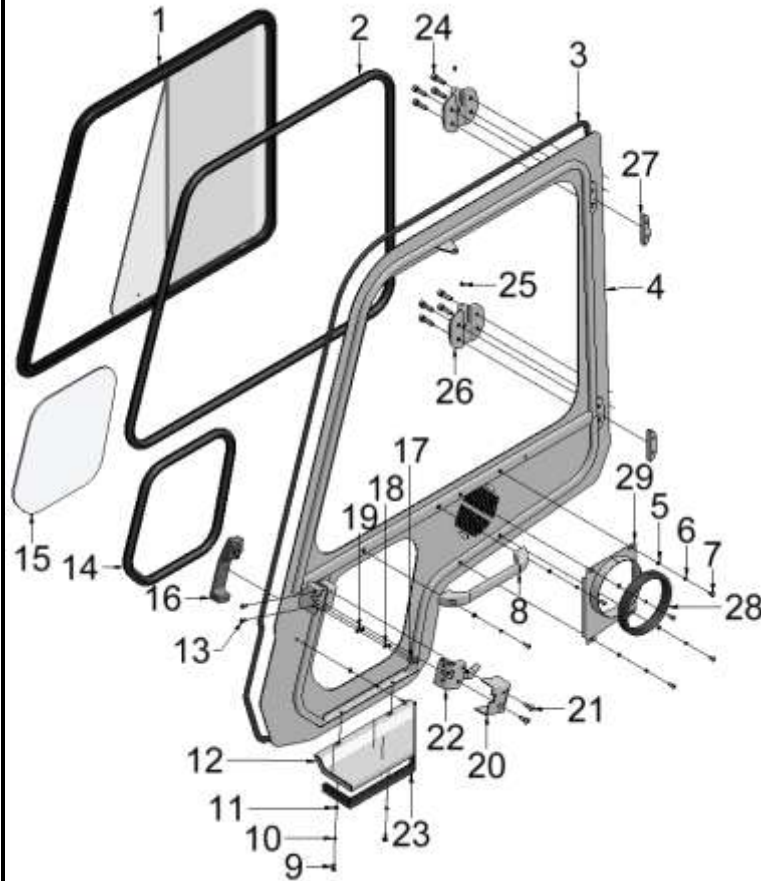
4t-x5t, CE



序号 Item	代号 Part No.	名称 Description	数量 Qty	备注或适用车型 Remarks or serial No.
1	JR480A-320000-G00	铝窗总成(右) Al windows assy (right)	1	
2	JXJ002-G00-3230	铝窗密封条 3230mm Seal rubber	1	L=3230mm
3	JXJ006-G00-4820	车门密封条 4820mm Seal rubber	1	L=4820mm
4	JR480B-300000-000	右侧门框架 Right door frame	1	
5	GB95-2002-6	Plain washers-product grade c 6,平垫圈 c 级 6	1	
6	GB93-87-M6	弹簧垫圈 M6 Spring pads M6	2	
7	GB818-M6×16	圆头十字槽螺丝 M6×16 Screw M6×18	2	
8	JMLS610-000-G00	门拉手 Door knob	1	
9	GB818-M6×16	圆头十字槽螺丝 M6×16 Screw M6×16	2	
10	GB93-87-M6	弹簧垫圈 M6 Spring pads M6	2	
11	GB95-2002-6	Plain washers-product grade c 6,平垫圈 c 级 6	2	
12	JR480-002000-000	右踏板 Pedal right	1	
13	GB819.1-2000-M6X20	十字槽沉头螺丝 Screw m6×20	2	
14	JXJ002-G00-1310	门下玻璃密封条 1310mm Seal rubber	1	L=1310mm
15	JR480B-000007-G00	右门下玻璃 Right door glass	1	

图 5-2 右侧门系统(CE)
Fig.5-2 right door system (CE)

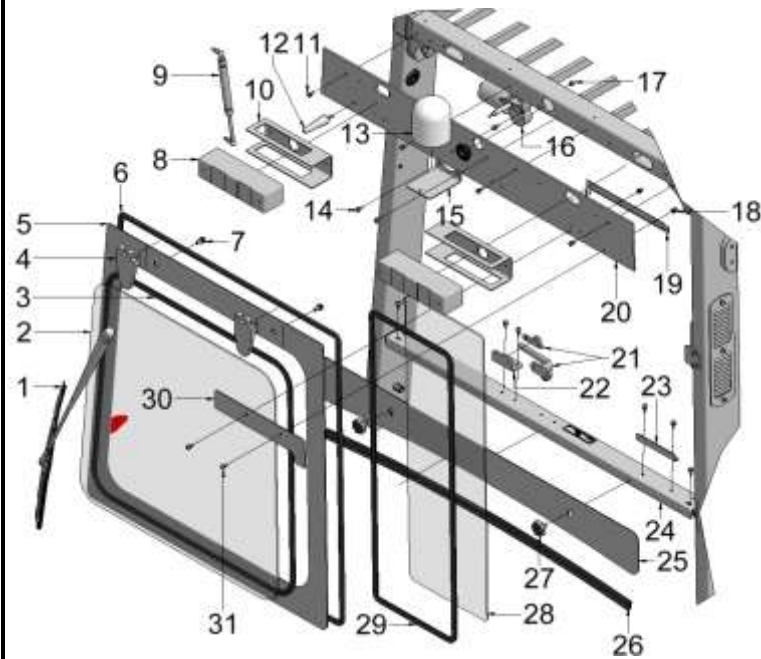
4t-x5t, CE



序号 Item	代号 Part No.	名称 Description	数量 Qty	备注或适用车型 Remarks or serial No.
A1	JMS-001-G00	门锁把手总成 Lock handle assy	2	Inc:16,22+fig.2-2 item 4
16	JMS-0011-G00	门锁把手 Lock handle	1	不单独提供 do not supply separately
17	GB818-M6×16	圆头十字槽螺丝 m6×16 Screw m6×16	2	
18	GB93-87-M6	弹簧垫圈 m6 Spring pads m6	2	
19	GB95-2002-6	Plain washers-product grade c 6,平垫圈 c 级 6	2	
20	JMSW-001-G00	门锁罩 Lock cover	1	
21	GB818-M8×25	圆头十字槽螺丝 M8×25 Screw M8×25	2	
22	JMS-0012-G00	门锁 Lock	1	不单独提供 do not supply separately
23	JXJ004-G00-500	踏板胶条 500 Pedal rubber 500	1	L=500mm
24	GB70-85-M10×30	内六角螺栓 M10×30 Bolt M10×30	8	
24	GB93-87-M10	弹簧垫圈 M10 Spring pads M10	8	
25	GB1153-89-M6	油嘴 M6 Grease fitting M6	8	
26	JJP300-100200-G00	右侧门铰链 Right door hinge	2	
27	JR480-000001-000	垫板 Plate	2	
28	JXJ004-G00-520	密封胶条 520mm Rubber 520mm	1	L=520mm

图6 后窗系统
Fig.6 rear windows system

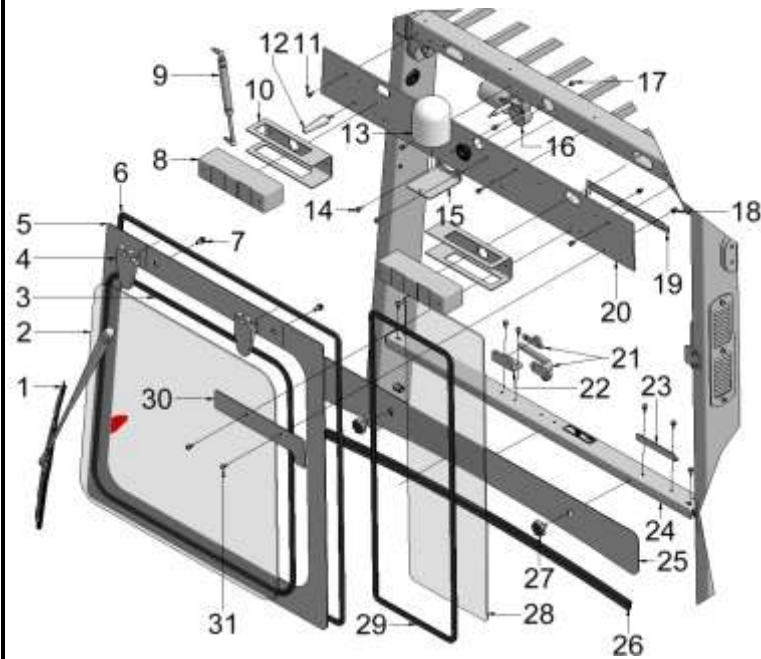
4t-x5t



序号 Item	代号 Part No.	名称 Description	数量 Qty	备注或适用车型 Remarks or serial No.
1	JR480A-002200-G00	雨刮杆 Wiper rod	1	
1	JR480A-002300-G00	雨刮片 Wiper blade	1	
2	JR480A-000002-G00	后玻璃 Rear glass	1	
3	JXJ002-G00-2580	后翻窗玻璃胶条 2580 Block gine 2580	1	L=2580mm
4	JCJL-010-G00	后窗铰链 Hinge	2	
5	JR480A-400000-000	后翻窗总成 Rear window assy	1	
6	JXJ006-G00-3270	Rear window block gine 后窗外胶条 3270	1	L=3270mm
7	GB 5781-86-M8x20	六角头螺栓 Hexagon bolt	2	
7	GB93-87-M8	弹簧垫圈 M8 Spring pads M8	2	
7	GB95-2002-8	Plain washers-product grade c 8,平垫圈 c 级 8	2	
8	R455-771000-000	Rear-combination lamps 后组合灯	2	12v, led
8	GR501-750100-002	Rear-combination lamps 后组合灯	2	24v, led
9	YQL540-200-180N	气弹簧 Gas spring	1	
10	R960-770001-000	后灯架 Rear light bracket	2	
11	GB818-M6x18	圆头十字槽螺丝 M6x18 Screw M6x18	4	

图6 后窗系统
Fig.6 rear windows system

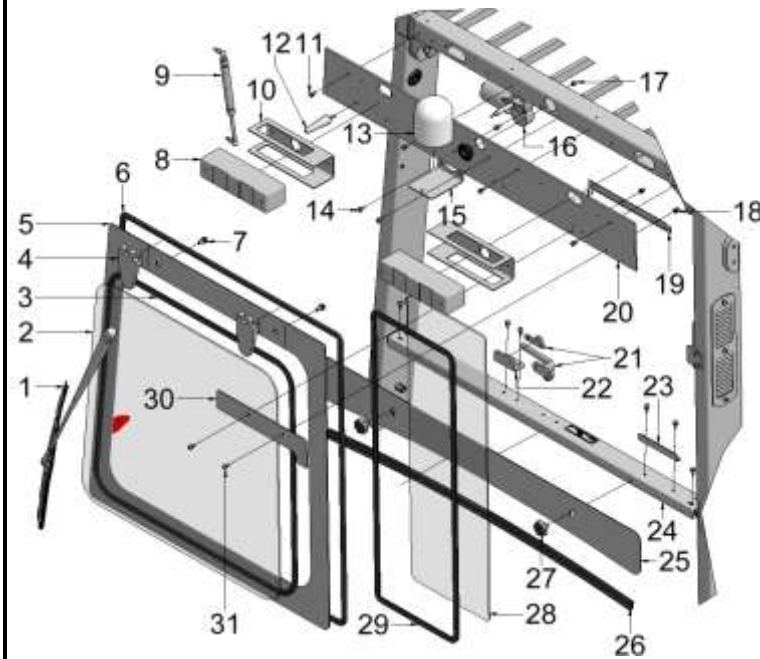
4t-x5t



序号 Item	代号 Part No.	名称 Description	数量 Qty	备注或适用车型 Remarks or serial No.
11	GB93-87-M6	弹簧垫圈 M6 Spring pads M6	4	
11	GB95-2002-6	Plain washers-product grade c 6,平垫圈 c 级 6	4	
12	JPST-100-G00	喷水头 Sprinkler head	1	
13	R960-707100-500	警灯 Alarm light	1	
14	GB818-M6x18	圆头十字槽螺丝 M6x18 Screw M6x18	2	
14	GB93-87-M6	弹簧垫圈 M6 Spring pads M6	2	
14	GB95-2002-6	Plain washers-product grade c 6,平垫圈 c 级 6	2	
15	JR960-000041-000	Alarm light support 警灯支 架	1	
16	JR480A-002100-G00	后雨刮器电机 Rear wiper motor	1	
16	JGR501A-002100-G00	后雨刮电机 Rear wiper motor	1	
17	GB802-M6	帽螺母 Nut m6	1	
17	GB818-M6x18	圆头十字槽螺丝 M6x18 Screw M6x18	1	
17	GB93-87-M6	弹簧垫圈 M6 Spring pads M6	1	
17	GB95-2002-6	Plain washers-product grade c 6,平垫圈 c 级 6	1	
18	GB802-M6	帽螺母 Nut m6	2	

图6 后窗系统
Fig.6 rear windows system

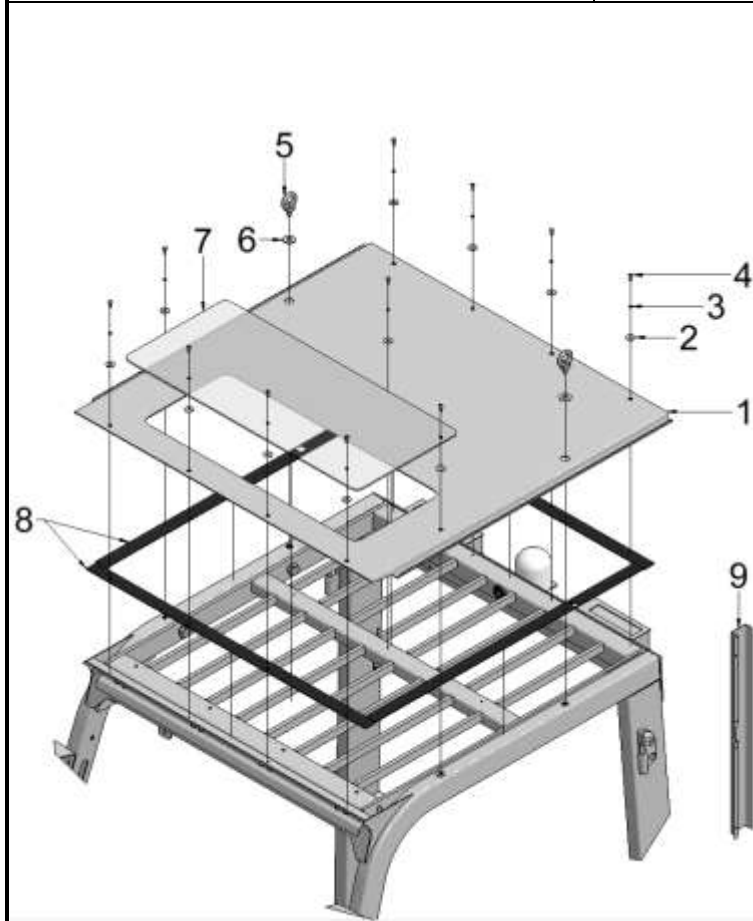
4t-x5t



序号 Item	代号 Part No.	名称 Description	数量 Qty	备注或适用车型 Remarks or serial No.
18	GB93-87-M6	弹簧垫圈 M6 Spring pads M6	2	
18	GB95-2002-6	Plain washers-product grade c 6,平垫圈 c 级 6	2	
19	JR485-000101-000	后固定玻璃挡条 Check rails	1	
20	JR485-100002-000	中板 Middle plate	1	
21	JCS-003-G00	后窗拉手 Armrest	1	
22	JR960-000035-000	后窗开关座 Switch base	1	
23	JR960-100001-000	后横挡板 Dam board	1	
24	JGR501-501000-000	水箱位横板 Across board	1	
25	JR480-500001-000	水箱位板 Board	1	
26	JXJ004-G00-1070	后窗下胶条 1070mm Block gine	1	L=1070mm
27	N163-430004-000	拧紧螺丝 Screws	2	
28	JR480A-000004-G00	后固定玻璃 Glass	1	
29	JXJ006-G00-2165	后立窗胶条 2165mm Block gine	1	L=2165mm
30	JR485-100001-000	压板 Platen	1	
31	GB818-M6x18	圆头十字槽螺丝 M6x18 Screw M6x18	1	

图7 天窗系统
Fig.7 skylight system

4t-x5t



序号 Item	代号 Part No.	名称 Description	数量 Qty	备注或适用车型 Remarks or serial No.
1	JR480A-100001-000	顶板 Top plate	1	标准车 Standard type
1	JR480A-100001-K00	顶板 Top plate	1	Air-condition optional 选 配空调用
2	GB/T95-2002-5	垫圈 5 Washer 5	10	
3	GB/T93-87-M5	弹簧垫圈 M5 Spring pads M5	10	
4	GB/T818-2000-M5×12	螺钉 M5×12 Screw M5×12	10	
5	GB825B-M12	吊环螺丝 Eyebolt	2	
6	GB96-85-12	垫圈 12 Washer 12	2	
7	JR480A-000003-G00	天窗玻璃 Glass	1	
8	JXJ026-G00-3500	顶板垫 3500mm Top plate pad	1	L=3500mm
9	JR480A-000005-K00	压线板 Tension disc	1	Air-condition optional 选 配空调用

