

第一部分 传动系统目录
PART I Driving system contents

(A) CPCD30/35-XW33F (B) CPCD30/35-XW33B (C) CPCD30/35-XW33M (D) CPYD30/35-XW22F (D1) CPYD30/35-XW52F
 (E) CPYD30/35-XW22B (E1) CPYD30/35-XW52B (F) CPYD30/35-XW22M (F1) CPYD30/35-XW52M (G) CPCD30/35-XW27F
 (H) CPCD30-XW13F (I) CPCD30-XW10F (J) CPQD30/35-XW22F (K) CPQD30/35-XW22B (L) CPQD30/35-XW22M

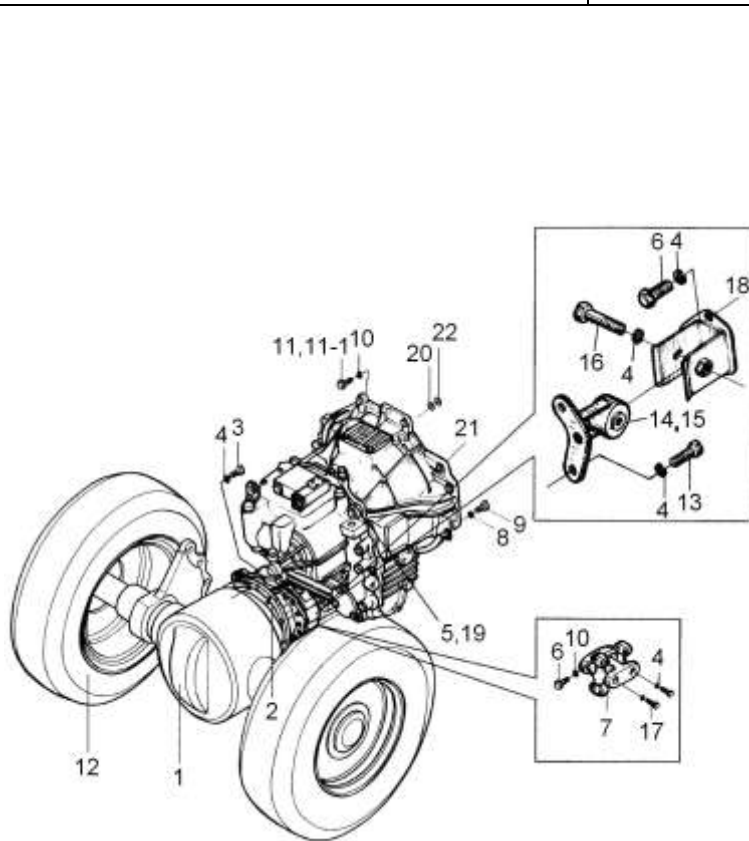
序号 Item	名称 Description	适用车型 Serial No.	页码 Page
图 1 Fig. 1	传动系统 Driving system	(B) (E) (E1) (K)	1-1
图 2 Fig. 2	驱动桥 Drive axle <2014-02-01	(B) (E) (E1) (K)	1-4
图 2-1 Fig. 2-1	驱动桥 Drive axle ≥2014-02-01	(B) (E) (E1) (K)	1-8
图 3 Fig. 3	前轮 (单轮) Front wheel (Single tyre)	3.0t-3.5t 全部车型 All models of truck	1-11
图 4 Fig. 4	前轮 (双轮) Front wheel (Double tyre)	3.0t-3.5t 全部车型/All models of truck 冈村, 国产变速箱 / Okamura, Chinese gearbox	1-12
图 5 Fig.5	冷却油管总成 Cooling oil pipe assy	(B) (E) (E1) (K)	1-14
图 6-1 Fig. 6-1	左制动器总成 Brake assy,LH	(B) (E) (E1) (K)	1-15
图 6-2 Fig. 6-2	右制动器总成 Brake assy,RH	(B) (E) (E1) (K)	1-18
图 7 Fig. 7	液力变矩器总成 Torque converter assy	(B) (E) (E1) (K) 1.0-3.5t Y43160X 液力传动变速箱 (冈村)	1-21
图 8 Fig. 8	变速箱 (其 1) Transmission (part-1)	Y43160X Hydrodynamic Transmission Gearbox (Okamura)	1-22

序号 Item	名称 Description	适用车型 Serial No.	页码 Page
图 9 Fig. 9	变速箱 (其 2) Transmission (part-2)	Ⓑ Ⓔ Ⓔ① Ⓚ 1.0-3.5t Y43160X 液力传动变速箱 (冈村) Y43160X Hydrodynamic Transmission Gearbox (Okamura)	1-26
图 10 Fig.10	变速箱 (其 3) Transmission (part-3)		1-28
图 11 Fig. 11	控制阀 Control Valve		1-30
图 12 Fig. 12	3.0-3.5t 主减速器·差速器总成 3.0-3.5t Reduction & Differential	3.0-3.5t Y43160X 液力传动变速箱 (冈村) Hydrodynamic Transmission Gearbox (Okamura)	1-33
图 13 Fig.13	传动系统 Driving system	Ⓐ Ⓓ Ⓓ① Ⓒ Ⓗ Ⓛ Ⓜ	1-37
图 14 Fig.14	驱动桥总成 Drive axle assy	Ⓐ Ⓓ Ⓓ① Ⓒ Ⓗ Ⓛ Ⓜ	1-39
图 14-1 Fig.14-1	驱动桥总成 Drive axle assy	Ⓐ Ⓓ Ⓓ① Ⓒ Ⓗ Ⓛ Ⓜ	1-42
图 15 Fig. 15	冷却油管总成 Cooling oil pipe assy	Ⓐ Ⓓ Ⓓ① Ⓒ Ⓗ Ⓛ Ⓜ	1-45
图 16-1 Fig. 16-1	左制动器总成 Brake assy,LH	Ⓐ Ⓓ Ⓓ① Ⓒ Ⓗ Ⓛ Ⓜ	1-47
图 16-2 Fig. 16-2	右制动器总成 Brake assy,RH	Ⓐ Ⓓ Ⓓ① Ⓒ Ⓗ Ⓛ Ⓜ	1-50
图 17 Fig. 17	变速箱 (其 1) (包括变矩器、油泵、离合器) Transmission (part-1) (includeTorque-converter pump Clutch)	Ⓐ Ⓓ Ⓓ① Ⓒ Ⓗ Ⓛ Ⓜ 1.0-3.5t YQXF 系列液力传动变速箱 (绍兴) YQXF Series Hydrodynamic Transmission Gearbox (SHAOXIN)	1-53
图 18 Fig. 18	变速箱 (其 2) (包括变矩器、油泵、离合器) Transmission (part-2) (includeTorque-converter pump Clutch)		1-56
图 19 Fig. 19	变速箱 (其 3) (包括变矩器、油泵、离合器) Transmission (part-3) (includeTorque-converter pump Clutch)		1-58
图 20 Fig. 20	电磁控制操纵阀 Electro-hydraulic operating valve		1-61
图 21 Fig. 21	减速器总成 Reduction assy		1-63

序号 Item	名称 Description	适用车型 Serial No.	页码 Page
	驱动桥密封（修理）工具包 Drive axle assy repair kits	Ⓐ Ⓓ Ⓓ ¹ Ⓖ Ⓕ Ⓖ	1-67
	变速箱密封（修理）工具包 Transmission repair kits	1.0-3.5t YQXF 液力传动变速箱 (绍兴) Hydrodynamic Transmission Gearbox (SHAOXIN)	1-68
图 22 Fig. 22	传动系统 Driving system	Ⓒ Ⓕ Ⓕ ¹ Ⓖ	1-69
图 23 Fig. 23	冷却油管总成 Cooling oil pipe assy	Ⓒ Ⓕ Ⓕ ¹ Ⓖ	1-72
图 24 Fig. 24	前轮（双轮） Front wheel (Double tyre)	3.0t-3.5t 全部车型 All models of truck MS 韩国变速箱 / MS Korea Gearbox	1-73

图 1 传动系统
Fig.1 Driving system

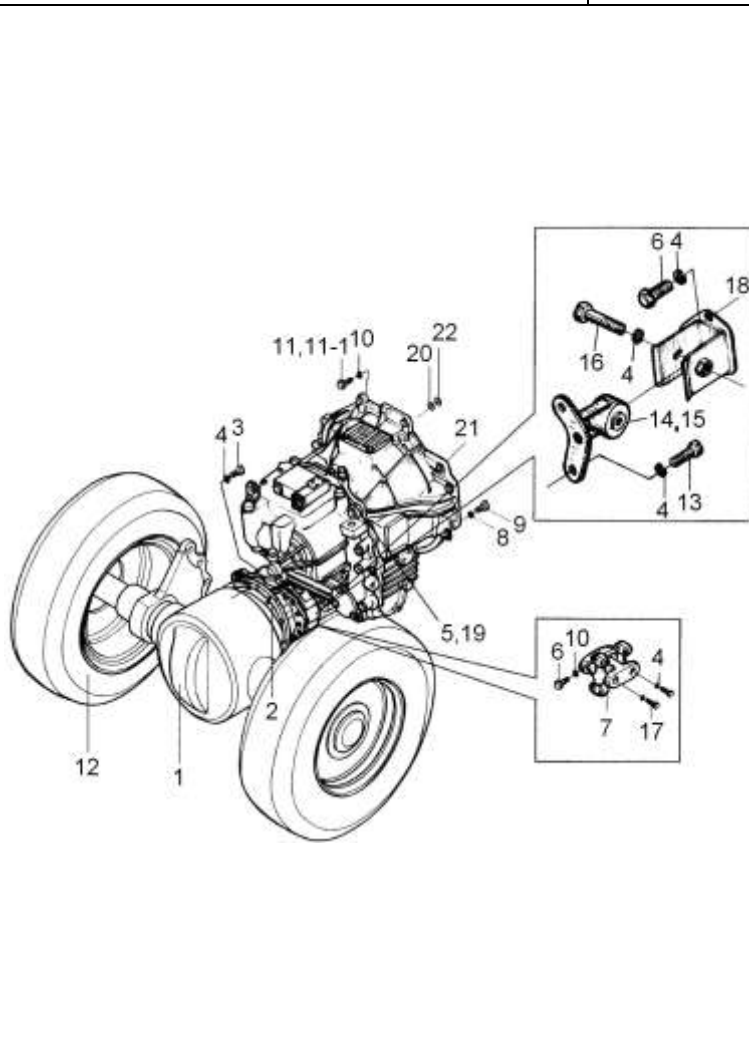
ⓑ CPCD30/35-XW33B ⓔ CPYD30/35-XW22B ⓔ CPYD30/35-XW52B Ⓚ CPQD30/35-XW22B



序号 Item	物料码 Part NO.	名称 Description	数量 Qty	备注或适用车型 Remarks Or Serial NO.
1	XB300-110000-000	驱动桥总成 Driveaxle assy	1	见图2 See Fig.2 单轮, Single tyre
1	XB300-110000-500	驱动桥总成 Driveaxle assy	1	见图2 See Fig.2 双轮, Double tyre
2	R561-100001-000	纸垫 Gasket	1	
3	G005786-012035-00	螺栓 M12×1.25×35 Bolt M12×1.25×35	14	
4	G000093-000012-00	垫圈 12 Washer 12	26	
5	Y48150X-000-G00	主传动箱 Host drive housing	1	见图12 See Fig.12
6	G005785-010050-04	螺栓 M10×1.25×50 Bolt M10×1.25×50	8	
7	R561-130000-000	翼形联轴器总成 Cardan assy	1	见图8 序号3 See Fig.8 Item3
8	G000093-000008-00	垫圈 8 Washer 8	12	
9	G005783-008018-00	螺栓 M8×18 Bolt M8×18	12	
10	G000093-000010-00	垫圈 10 Washer 10	16	ⓑ ⓔ ⓔ Ⓚ
10	G000093-000010-00	垫圈 10 Washer 10	20	ⓔ Ⓚ <2011-12-01
11	G005786-010035-00	螺栓 M10×1.25×35 Bolt M10×1.25×35	8	ⓑ
11	G005783-010035-00	螺栓 M10×35 Bolt M10×35	10	ⓔ Ⓚ Dual fuel engine <2011-12-01

图 1 传动系统
Fig.1 Driving system

Ⓔ CPCD30/35-XW33B Ⓔ CPYD30/35-XW22B Ⓔ CPYD30/35-XW52B Ⓔ CPQD30/35-XW22B

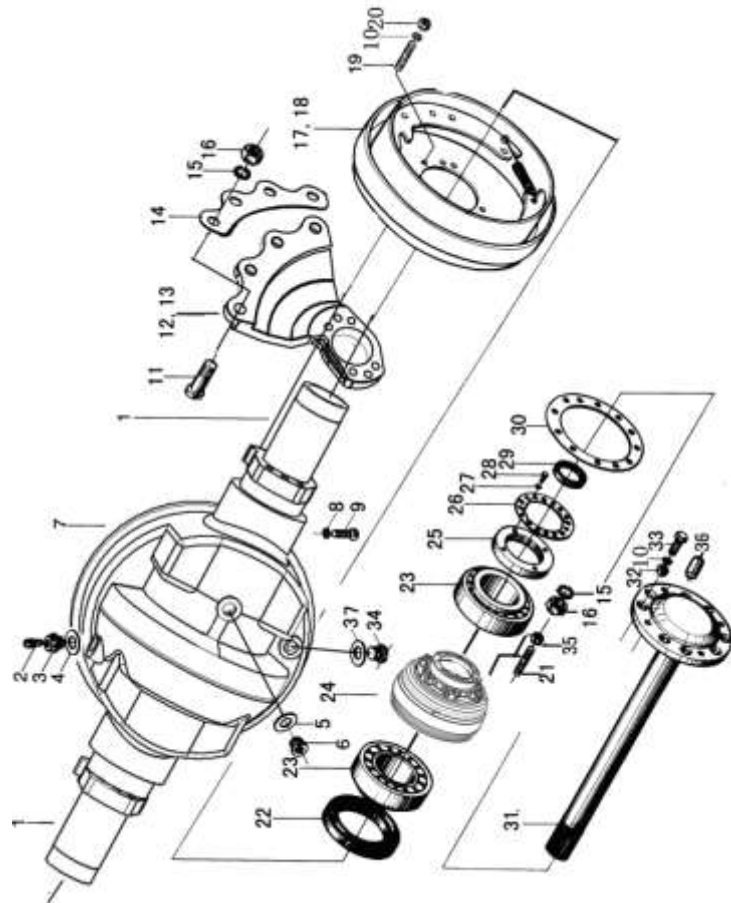


序号 Item	物料码 Part NO.	名称 Description	数量 Qty	备注或适用车型 Remarks Or Serial NO.
11	G005783-010035-00	螺栓 M10×35 Bolt M10×35	2	Ⓔ Ⓔ Ⓔ 双燃料叉车 For dual fuel engine ≥2011-12-01
11-1	G005783-010045-00	螺栓 M10×45 Bol M10×45	6	
12	N163-113000-000	前轮总成(单轮) front wheel assy	2	见图 3 See Fig.3
12	N163-113000-500	内前轮总成(双轮)Inner front wheel assy(double)	2	见图 4 See Fig.4
12	N163-111000-500	外前轮总成(双轮)Outer front wheel assy(double)	2	见图 4 See Fig.4
13	G005785-012040-00	螺栓 M12×1.25×40 Bolt M12×1.25×40	6	
14	K91331-30031-G00	左减震垫 Left shock pad	1	
15	K91331-30041-G00	右减震垫 Right shock pad	1	
16	G005785-012085-00	螺栓 M12×1.25×85 Bolt M12×1.25×85	2	
17	G005786-012025-00	螺栓 M12×1.25×25 Bolt M12×1.25×25	4	
18	R561-101000-000	支架 Bracket	2	
19	Y43160X-000-G00	液力变速箱 Transmission	1	INC: Fig.7-11, Except Fig.8 Item 3
20	G006170-000010-00	螺母 M10 Nut M10	2	Ⓔ Ⓔ Dual fuel engine <2011-12-01
20	G006170-000010-00	螺母 M10 Nut M10	6	Ⓔ Ⓔ Ⓔ Dual fuel engine ≥2011-12-01

图2 驱动桥
Fig.2 Drive axle

<2014-02-01

ⓑ CPCD30/35-XW33B ⓔ CPYD30/35-XW22B ⓔ CPYD30/35-XW52B Ⓚ CPQD30/35-XW22B

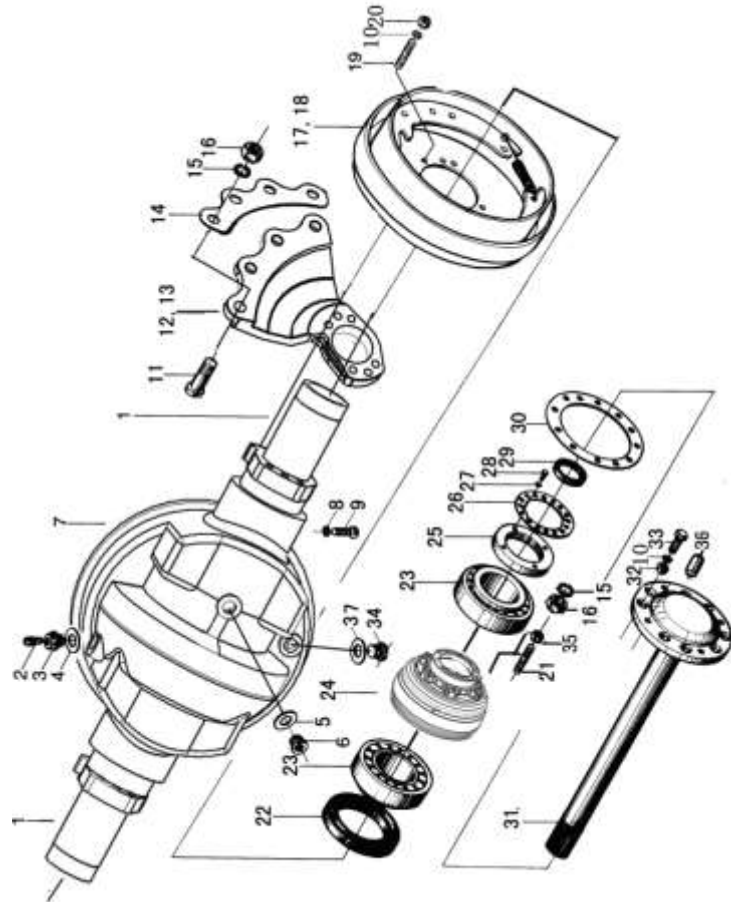


序号 Item	物料码 Part NO.	名称 Description	数量 Qty	备注或适用车型 Remarks Or Serial NO.
A1	R561-114000-000	桥体 Axle	1	INC:1,7,8,9
1	N150-111002-000	套管 Plug	2	不单独提供 Do not supply separately
2	Q903-Z1/8-G00	通气塞 Z 1/8 Vented plug	1	<2013-05-24
3	N163-110017-000	螺塞 Plug	1	
2	XB450-115000-000	呼吸器 Vented plug	1	前期用户, Early users 可两件一起更换 Can replacement two together
3	RC250-110004-000	内六角螺塞 Plug	1	≥2013-05-24
4	J000982-000022-00	垫圈 22 Washer 22	1	
5	J000982-000016-00	垫圈 16 Washer 16	1	
6	J001000-0161P5-00	螺塞 M16×1.5 Plug M16×1.5	1	
7	R561-114001-000	桥壳 Axle housing	1	不单独提供 Do not supply separately
8	G000093-000012-00	垫圈 12 Washer 12	2	
9	G005783-012040-01	螺栓 M12×40 Bolt M12×40	2	
10	G007244-000012-00	垫圈 12 Washer 12	32	<2010-02
10	G007244-000012-00	垫圈 12 Washer 12	34	≥2010-02
11	XF250-110003-000	连接螺栓 Bolt	8	

图2 驱动桥
Fig.2 Drive axle

<2014-02-01

ⓑ CPCD30/35-XW33B ⓔ CPYD30/35-XW22B ⓔ CPYD30/35-XW52B Ⓚ CPQD30/35-XW22B

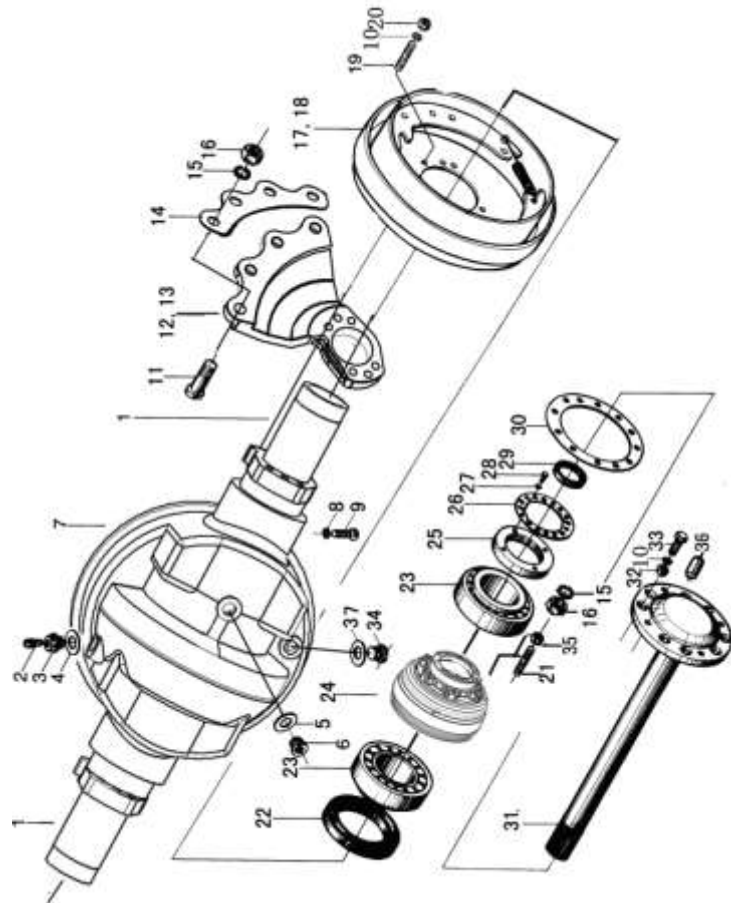


序号 Item	物料码 Part NO.	名称 Description	数量 Qty	备注或适用车型 Remarks Or Serial NO.
12	XF300-110001-000	左支撑板 Left Plate	1	
13	XF300-110005-000	右支撑板 Right Plate	1	
14	XF250-110002-000	垫板 Plate	1	
15	G000093-000020-00	垫圈 20 Washer 20	20	
16	G006171-000020-02	螺母 M20×1.5 Nut M20×1.5	20	
17	XF300-111000-000	左制动器总成 Brake assy,LH	1	XB300-111000-000
18	XB300-112000-000	右制动器总成 Brake assy,RH	1	
19	XF300-110004-000	螺栓 Bolt	16	≤2011-10 螺柱 Stud
20	G006171-000012-02	螺母 M12×1.5 Nut M12×1.5	16	≤2011-10
21	N163-110014-000	轮毂螺栓 Bolt, Hub	12	单轮 Single tyre
21	N163-110001-500	轮毂螺栓 Bolt, Hub	12	双轮 Double tyre
22	HG40692-100014012-01	油封 SD100×140×12 Oil seal SD100×140×12	2	
23	N163-110100-G00	轴承 7815 Bearing	4	
24	XF300-110002-000	轮毂 Hub	2	
25	N163-110009-000	锁紧螺母 Lock nut	2	

图2 驱动桥
Fig.2 Drive axle

<2014-02-01

ⓑ CPCD30/35-XW33B ⓔ CPYD30/35-XW22B ⓔ CPYD30/35-XW52B Ⓚ CPQD30/35-XW22B

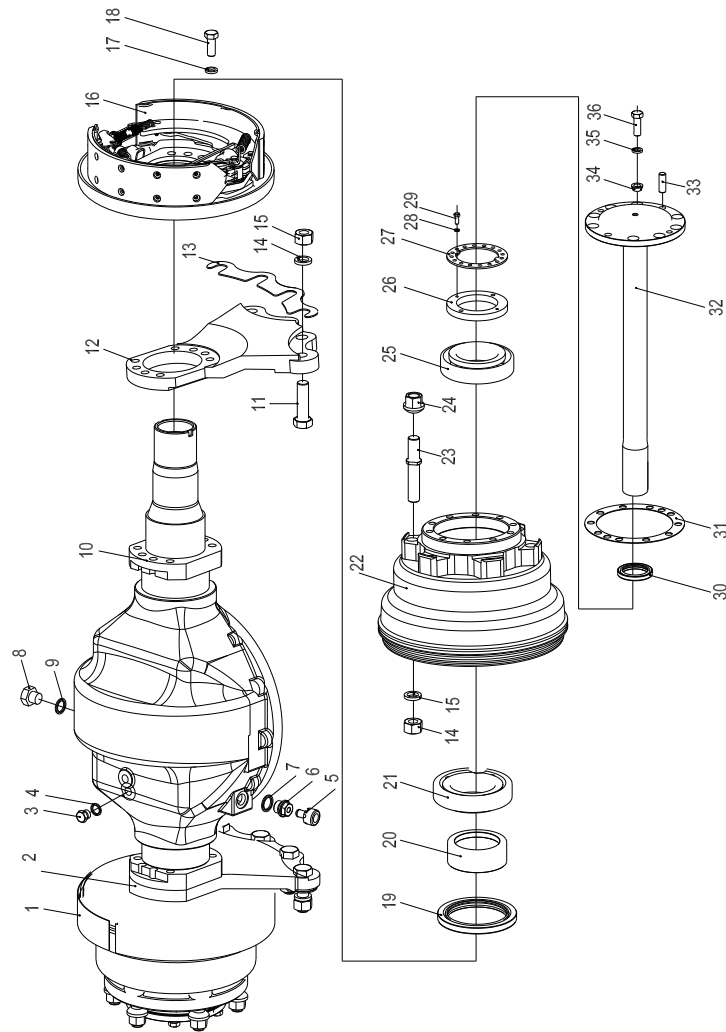


序号 Item	物料码 Part NO.	名称 Description	数量 Qty	备注或适用车型 Remarks Or Serial NO.
26	N163-110011-000	锁紧片 Locking shim	2	
27	G000093-000006-00	垫圈 6 Washer	4	
28	G005783-006012-01	螺栓 M6×12 Bolt M6×12	4	
29	HG40692-048006212-00	油封 PD48×62×12 Oil seal	2	
30	N163-110018-000	纸垫 Gasket	2	
31	R561-110003-000	半轴 Half shaft	2	<2010-02
31	XB250-110001-000	半轴 Half shaft	2	≥2010-02
32	N163-110019-000	压紧衬套 Clamp split-ring	16	<2010-02
32	N163-110019-000	压紧衬套 Clamp split-ring	18	≥2010-02
33	N163-110021-000	螺栓 Nut	16	<2010-02
33	N163-110021-000	螺栓 Nut	18	≥2010-02
34	N163-110016-000	螺塞 Plug	1	
35	N163-110015-000	轮毂螺母 Nut	12	
36	G000119-012035-03	销 D12×35 Pin D12×35	4	<2010-02
36	G000119-012035-03	销 D12×35 Pin D12×35	2	≥2010-02

图 2-1 驱动桥
Fig.2-1 Drive axle

≥2014-02-01

ⓑ CPCD30/35-XW33B ⓔ CPYD30/35-XW22B ⓔ CPYD30/35-XW52B Ⓚ CPQD30/35-XW22B

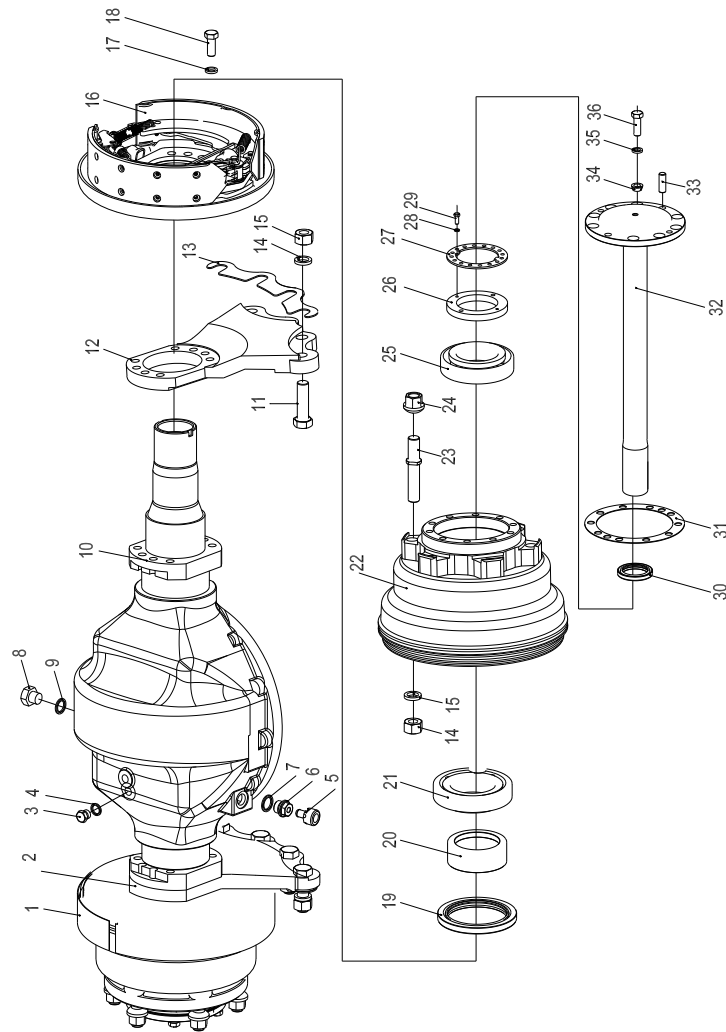


序号 Item	物料码 Part NO.	名称 Description	数量 Qty	备注或适用车型 Remarks Or Serial NO.
1	XF300-111000-G01	左制动器 Brake assy,LH	1	3.0t-3.5t
2	XF300-110001-001	左支撑板 Left Plate	1	3.0t-3.5t
3	J001000-0161P5-00	螺塞 M16×1.5 Plug M16×1.5	1	
4	J000982-000016-00	垫圈 16 Washer 16	1	
5	XB450-115000-000	呼吸器 Vented plug	1	
6	RC250-110004-000	内六角螺塞 Plug	1	
7	J000982-000022-00	垫圈 22 Washer 22	1	
8	N163-110016-000	螺塞 Plug	1	
9	J000982-000020-00	垫圈 20 Washer 20	1	
10	R561-110005-000	桥体 Axle	1	3.0t-3.5t
11	XF250110003-000	连接螺栓 Bolt	8	
12	XF300-110005-001	右支撑板 Right Plate	1	3.0t-3.5t
13	XF250-110002-000	垫板 Plate	2	
14	G000093-000020-00	垫圈 20 Washer 20	20	
15	G006171-000020-02	螺母 M20×1.5 Nut M20×1.5	20	

图 2-1 驱动桥
Fig.2-1 Drive axle

≥2014-02-01

ⓑ CPCD30/35-XW33B ⓔ CPYD30/35-XW22B ⓔ CPYD30/35-XW52B Ⓚ CPQD30/35-XW22B



序号 Item	物料码 Part NO.	名称 Description	数量 Qty	备注或适用车型 Remarks Or Serial NO.
16	XB300-112000-G01	右制动器总成 Brake assy,RH	1	3.0t-3.5t
17	G007244-000014-00	垫圈 14 Washer 14	16	
18	XF250-110007-000	螺栓 Bolt	16	
19	G9877P1-140010512-01	油封 FB105×140×12 Oil seal	2	
20	A300-110001-000	油封座 Oil Seat	2	
21	A300-110010-G00	轴承 7816 Bearing	2	
22	XF300-110002-001	轮毂 Hub	2	3.0t-3.5t
23	N163-110014-000	轮毂螺栓 Bolt, Hub	12	3.0t-3.5t 单轮 Single tyre
23	N163-110001-500	轮毂螺栓 Bolt, Hub	12	3.0t-3.5t 双轮 Double tyre
24	N163-110015-000	轮毂螺母 Nut, Hub	12	
25	N163-110100-G00	轴承 7815 Bearing	2	
26	N163-110009-000	锁紧螺母 Lock nut	2	
27	N163-110011-000	锁紧片 Locking shim	2	
28	G000093-000006-00	垫圈 6 Washer 6	4	
29	G005783-006012-00	螺栓 M6×12 Bolt M6×12	4	

图 3 前轮 (单轮)
Fig.3 Front wheel (Single tyre)

全部车型 3.0t-3.5t
All models of truck

序号 Item	物料码 Part NO.	名称 Description	数量 Qty	备注或适用车型 Remarks Or Serial No.
A1	MB300-113000-000	前轮总成(单轮) Front wheel assy	2	INC:1-2 实心轮胎 Solid Tyre
A1	N163-113000-000	前轮总成(单轮) Front wheel assy	2	INC:1-2 充气轮胎 Inflated tyre
1	N163-113100-000	轮辋总成 Rim-assy	2	红色 Red
2	GT10823-2800915-00	实心轮胎 28×9-15 Solid Tyre 28×9-15	2	实心轮胎 Solid Tyre
2	GT02982-280091512-00	充气轮胎 28×9-15-12PR Inflated tyre	2	充气轮胎 Inflated tyre
3	N163-110015-000	轮毂螺母 Nut, Hub	12	
4	GT10823-2800915-02	无痕轮胎 28×9-15 Non-trace tyre 28×9-15	2	选配 Optional 实心轮胎 Solid Tyre
5	N163-110014-000	轮毂螺栓 Bolt, Hub	12	单轮 Single tyre

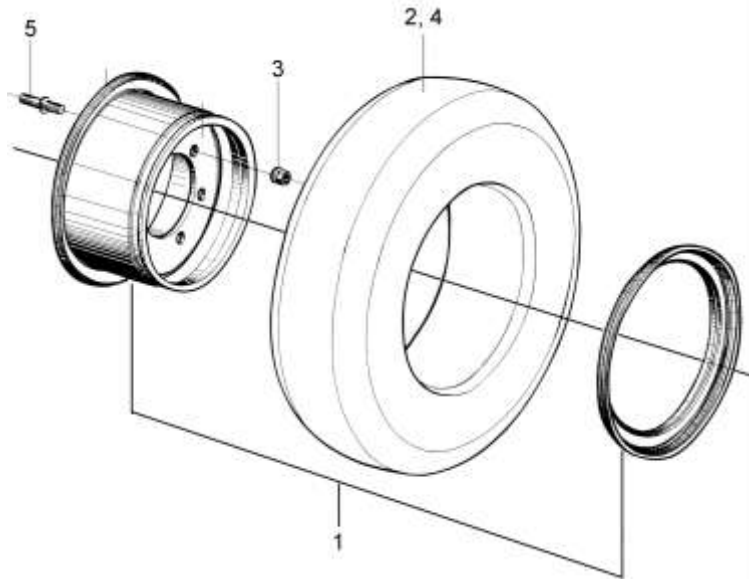


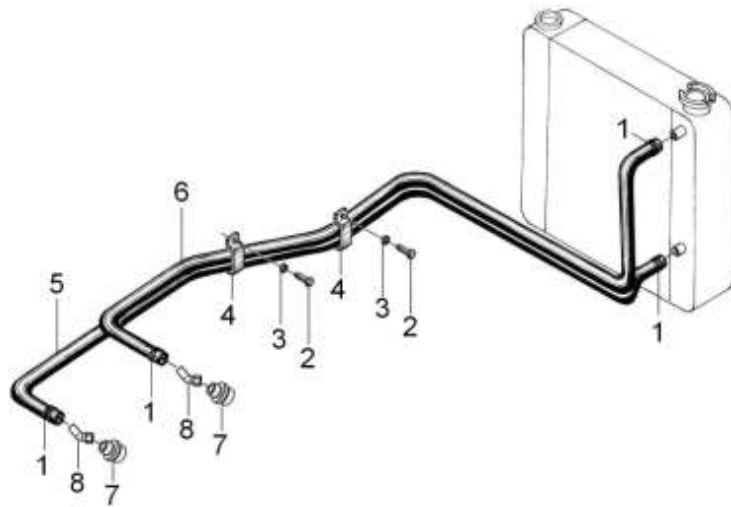
图 4 前轮（双轮）
Fig.4 Front wheel (Double tyre)

3.0t-3.5t 全部车型/All models of truck
冈村变速箱, 国产变速箱 / Okamura gearbox, Chinese gearbox

序号 Item	物料码 Part NO.	名称 Description	数量 Qty	备注或适用车型 Remarks Or Serial No.
A1	MB300-113000-500	内前轮总成(双轮) Inner front wheel assy(double)	2	INC.1,4 实心轮胎Solid Tyre
A2	MB300-111000-500	外前轮总成(双轮) Outer front wheel assy(double)	2	INC.1,2 实心轮胎 Solid Tyre
A1	N163-113000-500	内前轮总成(双轮) Inner front wheel assy(double)	2	INC.1,4 充气轮胎 Inflated tyre
A2	N163-111000-500	外前轮总成(双轮) Outer front wheel assy(double)	2	INC1,2 充气轮胎 Inflated tyre
1	GT10823-2800915-00	实心轮胎 28×9-15 Solid Tyre 28×9-15	4	实心轮胎 Solid Tyre
1	GT02982-280091512-00	充气轮胎 28x9-15-12PR Inflated tyre	4	充气轮胎 Inflated tyre
2	N163-111100-500	外轮辋总成 Outer Rim-assy	2	红色 Red
3		隔套 Ring	2	无此零件 Not the part
4	N163-113100-500	内轮辋总成 Inner Rim-assy	2	红色 Red
5	XF300-110001-500	左挡泥板 Fender Left	1	
	XF300-110002-500	右挡泥板 Fender Right	1	
6	G005783-012045-00	螺栓 M12×45 Bolt M12x45	6	
7	G000093-000012-00	垫圈 12 Washer 12	8	
8	G006170-000012-00	螺母 M12 Nut M12	6	
9	50CDA-210001	气门接长管 Extension tube	2	充气轮胎 Inflated tyre 冈村和国产变速箱

图5 冷却油管总成
Fig.5 Cooling oil pipe assy

Ⓑ CPCD30/35-XW33B Ⓔ CPYD30/35-XW22B Ⓔ CPYD30/35-XW52B Ⓚ CPQD30/35-XW22B



序号 Item	物料码 Part NO.	名称 Description	数量 Qty	备注或适用车型 Remarks Or Serial NO.
A1	XB250-120000-000	冷却油管总成 Oil coolingpipe assy	1	Ⓑ
A2	XB251-120000-000	冷却油管总成 Oil coolingpipe assy	1	Ⓔ Ⓔ Ⓚ
1	Q672-23-G00	双钢丝式环箍 23 Clamp 23	4	
2	G005783-008012-00	螺栓 M8×12 Bolt M8×12	4	
3	G000093-000008-00	垫圈 8 Washer	4	
4	N160-120002-000	抱箍 Clamp	4	
5	XB250-120002-W00	胶管Φ 13 L=1800 Rubber pipe	1	Ⓑ
5	XB251-120002-W00	胶管Φ 13 L=2700 Rubber pipe	1	Ⓔ Ⓔ Ⓚ 双燃料叉车 For dual fengine
6	XB250-120001-W00	胶管Φ 13 L=1900 Rubber pipe	1	Ⓑ
6	XB251-120001-W00	胶管Φ 13 L=2400 Rubber pipe	1	Ⓔ Ⓔ Ⓚ 双燃料叉车 For dual fengine
7	N040-110001-000	铰接螺栓 link bolt	2	
8	N040-110100-000	回油管接头 Connector	2	

图 6-1 左制动器总成
Fig.6-1 Brake assy,LH

Ⓑ CPCD30/35-XW33B Ⓔ CPYD30/35-XW22B Ⓔ CPYD30/35-XW52B Ⓚ CPQD30/35-XW22B

序号 Item	物料码 Part No.	名称 Description	数量 Qty	备注或适用车型 Remarks or Serial No.
A1	XF300-111000-000	左制动器总成 Brake assy,LH	1	包含/INC:1-27 Ⓑ Ⓔ Ⓔ Ⓚ <2014-02-01, XB300-111000-000
A1	XF300-111000-G01	左制动器 Brake assy,LH	1	包含/INC:1-27 Ⓑ Ⓔ Ⓔ Ⓚ ≥2014-02-01,驱动桥改进 Drive axle Improve
1	GB21-76- M8x1.25x25-6g	螺栓 M8x1.25x25-6g Bolt M8x1.25x25-6g	2	
2	GB91-76-8	弹簧垫圈 8 Washer 8	2	
3	24433-70040G	胶堵 Cove adjusting hole	1	
4	24433-70010G	压簧拉杆 Spring parking	2	
5	24433-72000G-L	左制动器底板总成 Brake plate assy,LH	1	<2014-02-01
5	24433-72000G01-L	左制动器底板总成 Brake plate assy,LH	1	≥2014-02-01,驱动桥改进 Drive axle Improve
6	24433-70150G	拉杆销 Pin	1	
7	24433-70140G-L	左手制动拉杆 Lever parking,LH	1	
A2	24433-71/5000G-L	制动蹄总成(左) Brake shoe assy,LH	1	INC:8,20
8	24433-75000G	制动蹄带摩擦片总成 Brake shoe	1	不单独提供 Do not supply separately
9	24433-70020G	压簧座 Spring seating	4	

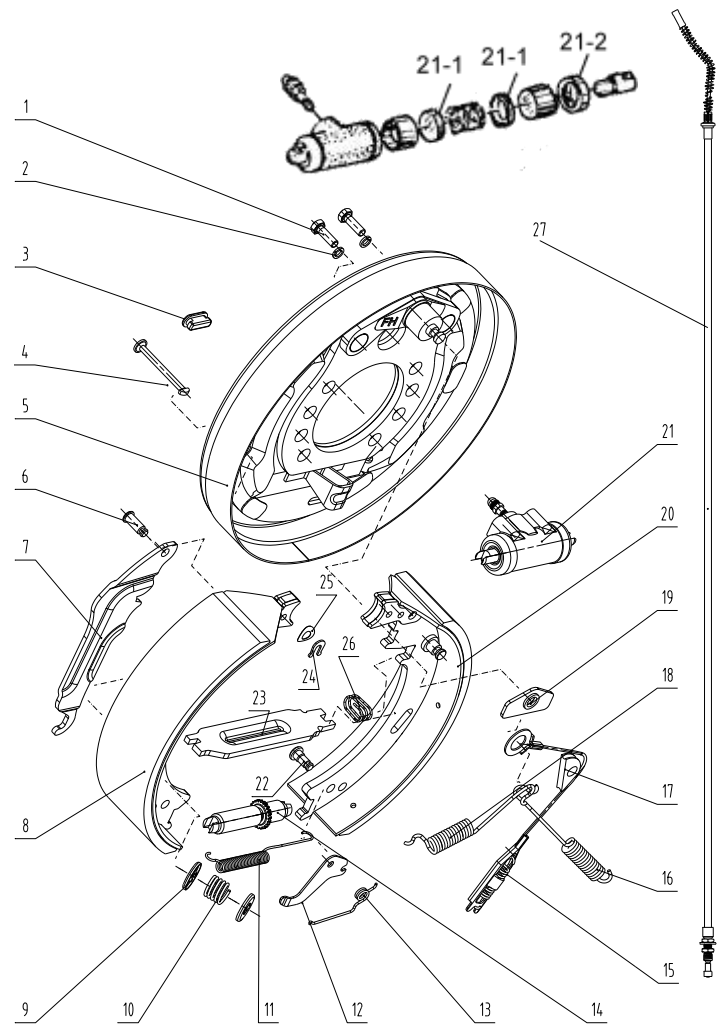


图 6-1 左制动器总成
Fig.6-1 Brake assy,LH

ⓑ CPCD30/35-XW33B ⓔ CPYD30/35-XW22B ⓔ CPYD30/35-XW52B Ⓚ CPQD30/35-XW22B

序号 Item	物料码 Part No.	名称 Description	数量 Qty	备注或适用车型 Remarks or Serial No.
10	24433-70030G	压簧 Spring	2	
11	24433-70050G	拉簧 Spring	1	
12	24433-70100G-L	左棘爪 Lever,LH	1	
13	24433-70090G-L	左扭簧 Twist spring,LH	1	
14	24433-74000G-L	左间隙调整器总成 Adjusting fitting assy,LH	1	
15	24433-73000G	弹簧拉线装置 Spring fitting assy	1	
16	24433-70071G-L	左回位弹簧(后) Return spring, Left rear	1	
17	24433-70081G	导向块 Oriented block	1	
18	24433-70070G-L	左回位弹簧(前) Return spring, Left Front	1	
19	24433-70060G	导向板 Guide Strip	1	
20	24433-71001G-L	左制动蹄带摩擦片及挂簧销总成 Left Brake shoe with spring pin	1	不单独提供 Do not supply separately
21	24433-76000G	制动分泵总成 Wheel cylinder assy	1	
21-1	24433-76030G	分泵皮碗 Cup,piston	2	
21-2	22673-72101	制动分泵护罩 Cover,dust	2	

图 6-2 右制动器总成
Fig.6-2 Brake assy,RH

ⓑ CPCD30/35-XW33B ⓓ CPYD30/35-XW22B ⓔ CPYD30/35-XW52B ⓖ CPQD30/35-XW22B

序号 Item	物料码 Part No.	名称 Description	数量 Qty	备注或适用车型 Remarks or Serial No.
A1	XB300-112000-000	右制动器总成 Brake assy,RH	1	ⓑ ⓓ ⓔ ⓖ <2014-02-01, INC:1-27
A1	XB300-112000-G01	右制动器总成 Brake assy,RH	1	包含/INC:1-27 ≥2014-02-01,驱动桥改进 Drive axle Improve
1	GB21-76- M8x1.25x25-6g	螺栓 M8x1.25x25-6g Bolt M8x1.25x25-6g	2	
2	GB91-76-8	弹簧垫圈 8 Washer 8	2	
3	24433-70040G	胶堵 Cove adjusting hole	1	
4	24433-70010G	压簧拉杆 Spring parking	2	
5	24433-72000G-R	右制动器底板总成 Brake plate assy,RH	1	<2014-01-01
5	24433-72000G01-R	右制动器底板总成 Brake plate assy,RH	1	≥2014-01-01,驱动桥改进 Drive axle Improve
6	24433-70150G	拉杆销 Pin	1	
7	24433-70140G-R	右手制动拉杆 Lever parking,RH	1	
A2	24433-71/5000G-R	制动蹄总成(右) Brake shoe assy,RH	1	INC:8,20
8	24433-75000G	制动蹄带摩擦片总成 Brake shoe	1	不单独提供 Do not supply separately
9	24433-70020G	压簧座 Spring seating	4	
10	24433-70030G	压簧 Spring	2	

图 6-2 右制动器总成
Fig.6-2 Brake assy,RH

ⓑ CPCD30/35-XW33B ⓔ CPYD30/35-XW22B ⓔ CPYD30/35-XW52B Ⓚ CPQD30/35-XW22B

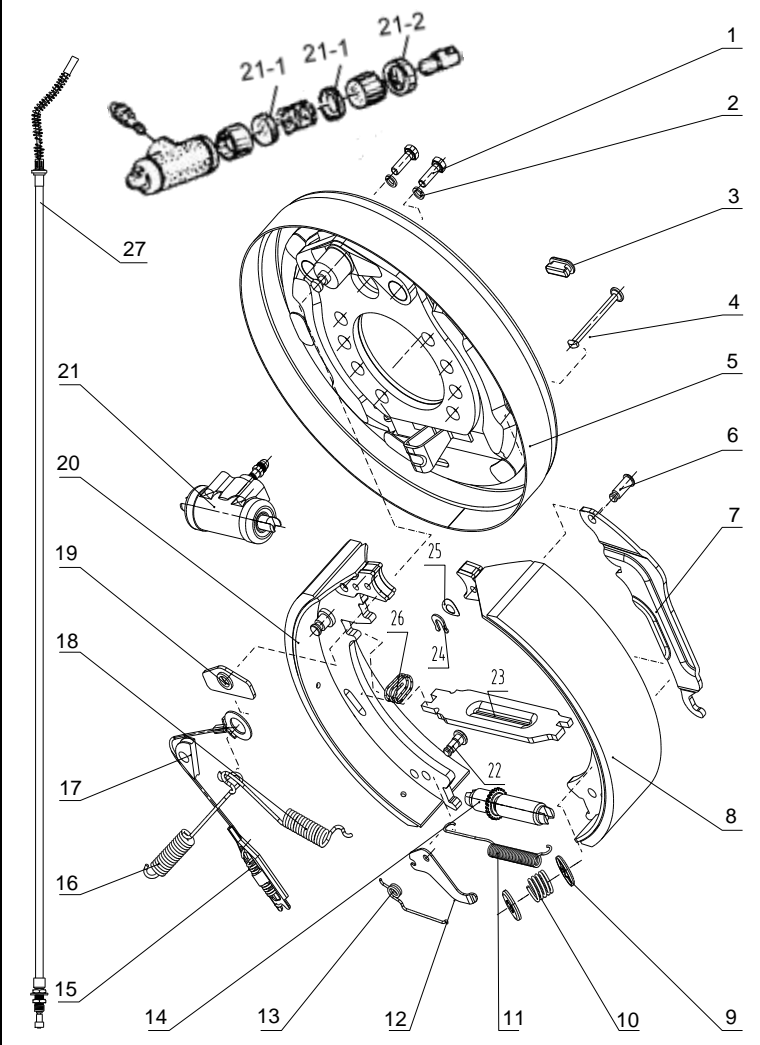
	序号 Item	物料码 Part No.	名称 Description	数量 Qty	备注或适用车型 Remarks or Serial No.
	11	24433-70050G	拉簧 Spring	1	
	12	24433-70100G-R	右棘爪 Lever,RH	1	
	13	24433-70090G-R	右扭簧 Twist spring,RH	1	
	14	24433-74000G-R	右间隙调整器总成 Adjusting fitting assy,RH	1	
	15	24433-73000G	弹簧拉线装置 Spring fitting assy	1	
	16	24433-70071G-R	右回位弹簧（后） Return spring, Right rear	1	
	17	24433-70081G	导向块 Oriented block	1	
	18	24433-70070G-R	右回位弹簧（前） Return spring, Right Front	1	
	19	24433-70060G	导向板 Guide Strip	1	
	20	24433-71001G-R	右制动蹄带摩擦片及挂簧销总成 Right Brake shoe with spring pin	1	不单独提供 Do not supply separately
	21	24433-76000G	制动分泵总成 Wheel cylinder assy	1	
	21-1	24433-76030G	分泵皮碗 Cup,piston	2	
	21-2	22673-72101	制动分泵护罩 Cover,dust	2	
	22	24433-70110G	扭簧销 Pin	1	

图8 变速箱（其1）
Fig.8 Transmission (part-1)

1.0-3.5t
Y43160X 液力传动变速箱 (冈村)
Y43160X Hydrodynamic Transmission Gearbox (Okamura)

序号 Item	物料码 Part NO.	名称 Description	数量 Qty	备注或适用车型 Remarks Or Serial NO.
1	K91524-03000	变速箱总成 Transmission assy	1	INC:Fig.8-10 除外Except Fig.8 Item 3
2	K91A24-08200	滤清器芯及盖 Strainer & cover	1	
201	K91A24-08211	滤清器总成 Strainer assy	1	
202	K91A24-08221	磁石 Magnet	3	
203	K91A24-08231	弹簧 Spring	2	
3	R561-130000-000	翼形联轴器总成 Joint assy,universal	1	
301	NO PART NO.	万向联轴器 Yoke,couplin	1	
302	NO PART NO.	十字轴 Nipple,grease	2	
303	NO PART NO.	轴承 Bearing,gross	2	
4	K91524-16100	变矩器箱体 Housing,t/conv	1	
401	KF5014-50000	密封圈 Cap,sealing	1	
5	K91324-45302	变速箱体 Housing,transmission	1	
501	KF8000-12000	钢球 Ball,steel	4	
6	K91524-02300	输出法兰 Flange,t/m output	1	
7	K91324-16300	密封垫 Gasket	1	

图8 变速箱（其1）
Fig.8 Transmission (part-1)

1.0-3.5t
Y43160X 液力传动变速箱 (冈村)
Y43160X Hydrodynamic Transmission Gearbox (Okamura)

序号 Item	物料码 Part NO.	名称 Description	数量 Qty	备注或适用车型 Remarks Or Serial NO.
8	K91428-00202	油管 Pipe,cooler	2	
9	K05204-50501	温度开关 Switch,thermo	1	
10	K91324-06400	油尺 Gage,oil level	1	
11	K91A24-22500	防尘盖 Cover,upper	1	
12	K91524-01500	吊耳 Plate,hanger	1	
13	K91228-03600	油尺管套 Pipe,oil level gage	1	
14	K91524-01900	空气阀 Breather	1	
15	K05500-24012	密封圈 O-ring	3	
16	K05500-19010	密封圈 O-ring	2	
17	K05500-24022	密封圈 O-ring	2	
18	K91A24-08600	油封 Seal,oil	1	
19	K05531-01100	螺塞 Plug,o-ring type	1	
20	K05500-24015	密封圈 O-ring	1	
21	KF2005-10030	螺栓、垫圈 Bolt,w/washer b/w	5	
22	K91A24-05200	法兰螺栓 Bolt,flange	8	

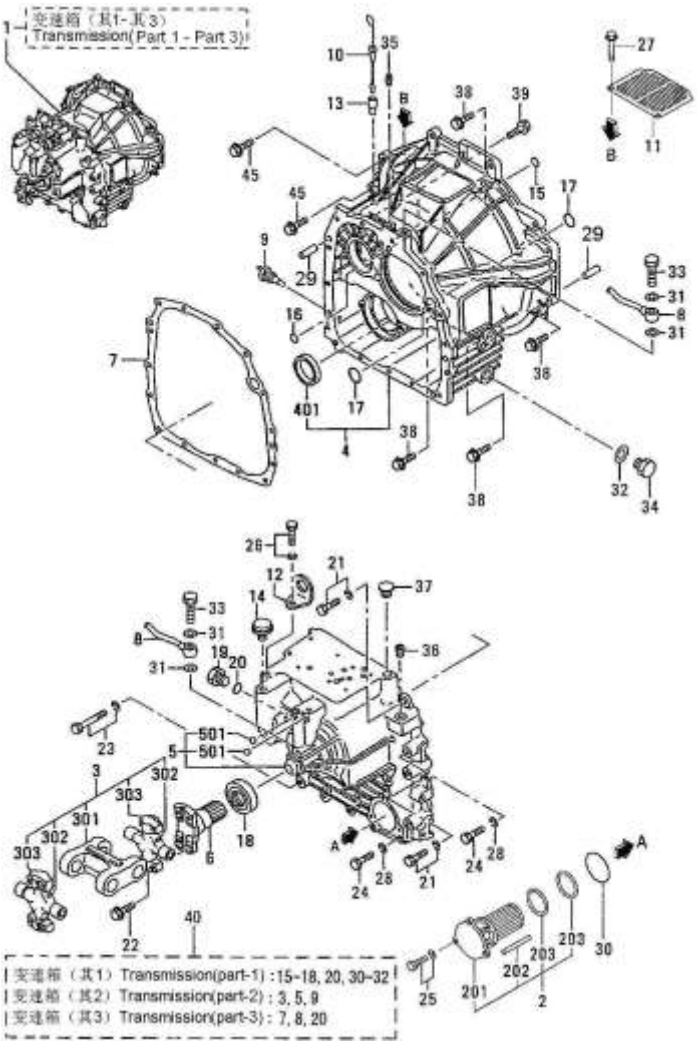


图8 变速箱（其1）
Fig.8 Transmission (part-1)

1.0-3.5t
Y43160X 液力传动变速箱 (冈村)
Y43160X Hydrodynamic Transmission Gearbox (Okamura)

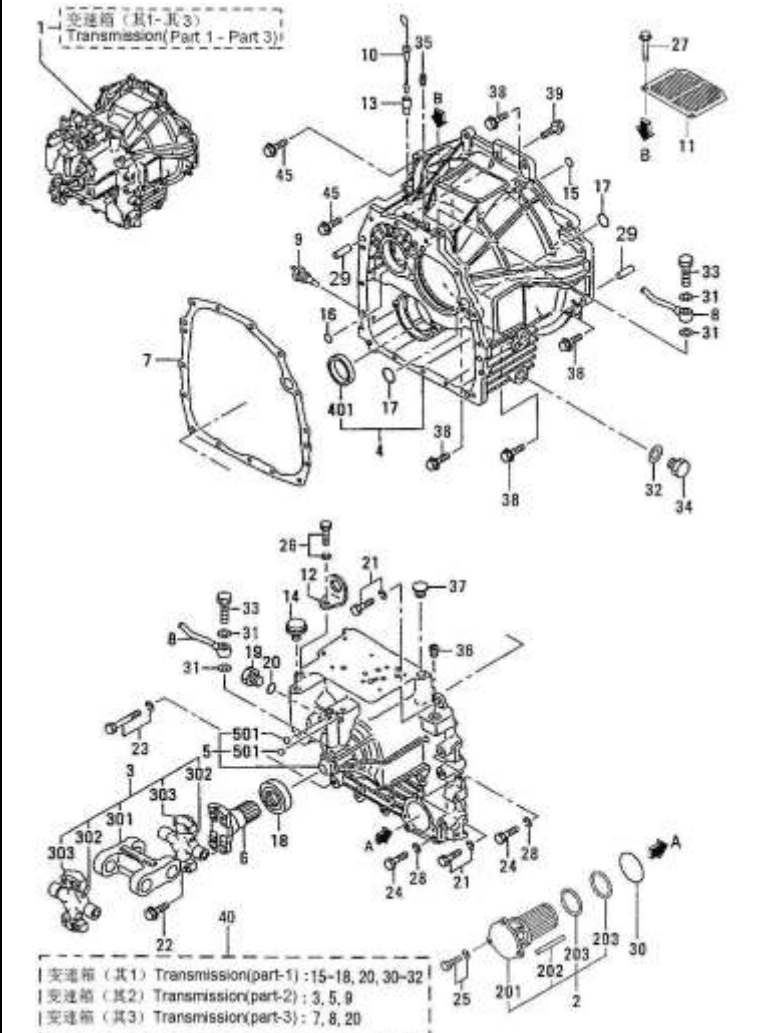
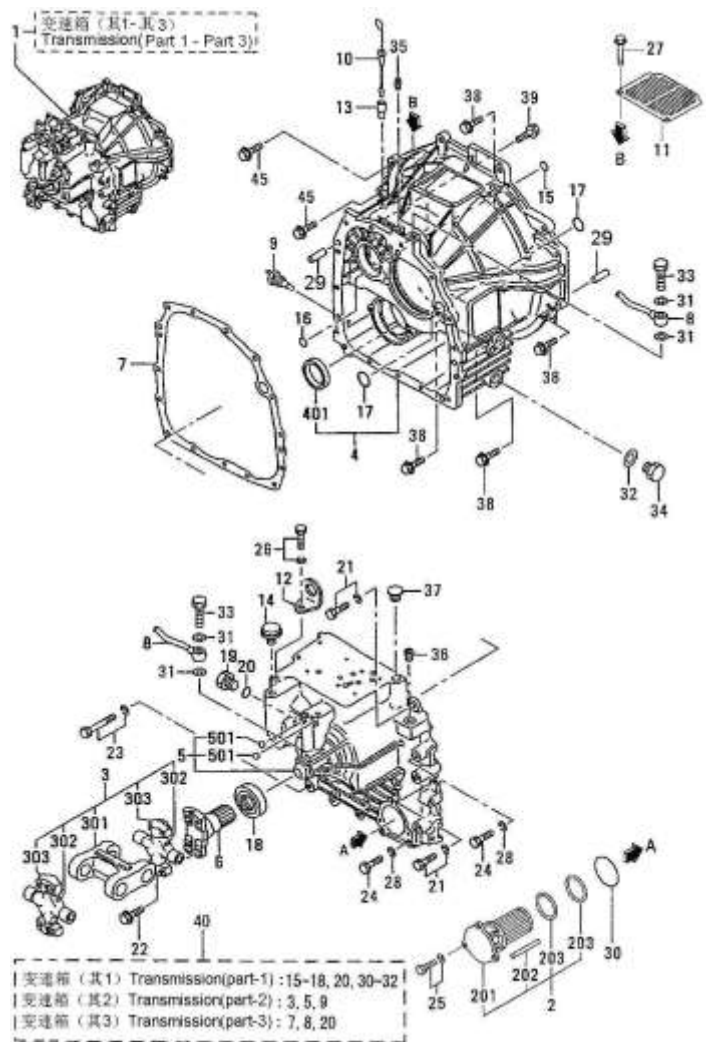
	序号 Item	物料码 Part NO.	名称 Description	数量 Qty	备注或适用车型 Remarks Or Serial NO.
	23	KF2005-10060	螺栓、垫圈 Bolt,w/washer b/w	5	
	24	KF1155-10075	螺栓 Bolt	3	
	25	K91A24-05900	法兰螺栓 Bolt,flange	3	
	26	KF1805-12020	螺栓、垫圈 Bolt,w/washer b/w	1	
	27	K91A24-08100	法兰螺栓 Bolt,flange	2	
	28	KF2515-10000	弹簧垫 Washer,spring	3	
	29	KF2846-12000	销 Pin,dowel	2	
	30	K05500-31065	密封圈 O-ring	1	
	31	KF4202-14000	密封垫 Gasket	4	
	32	KF4202-20000	密封垫 Gasket	1	
	33	K91A24-05100	吊耳 Eyebolt	2	
	34	KF5000-20000	油堵 Plug,drain	1	
	35	KF5006-10000	螺塞 Plug,tapered	1	
	36	KF5005-26001	螺塞 Plug,tapered	1	
	37	K91524-03300	塞子 Cap,filler	1	

图 8 变速箱（其 1）
Fig.8 Transmission (part-1)

1.0-3.5t
Y43160X 液力传动变速箱 (冈村)
Y43160X Hydrodynamic Transmission Gearbox (Okamura)



序号 Item	物料码 Part NO.	名称 Description	数量 Qty	备注或适用车型 Remarks Or Serial NO.
38	K91524-12500	法兰螺栓 Bolt,flange	8	
39	K91524-02600	法兰螺栓 Bolt,flange	2	
40	K91324-00028	修理包 Repair kit,T/M	1	

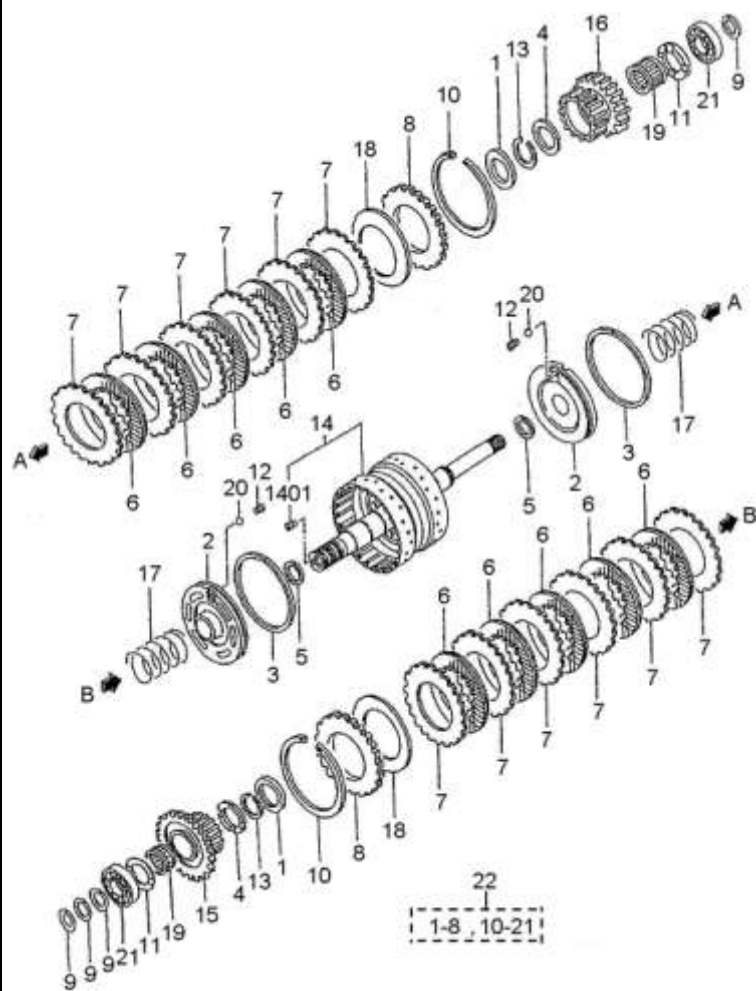
图9 变速箱（其2）
Fig.9 Transmission (part-2)

1.0-3.5t
Y43160X 液力传动变速箱 (冈村)
Y43160X Hydrodynamic Transmission Gearbox (Okamura)

序号 Item	物料码 Part NO.	名称 Description	数量 Qty	备注或适用车型 Remarks Or Serial NO.
1	K91224-00800	弹簧座 Retainer,spring	2	
2	K91224-17601	活塞 Piston,clutch	2	
3	K91B24-00700	活塞环 Ring,seal piston	2	
4	K65425-13204	轴向垫圈 Washer,thrust	2	
5	K91B24-00600	密封环 Ring,seal	2	
6	K91324-02702	摩擦片 Plate,friction	10	
7	K91324-12601	动力传动片 Plate,mating	12	
8	K91324-04700	压力传动片 Plate,pressure	2	
9	K58321-05000	密封环 Seal,ring	4	
10	K58622-03001	卡簧 Ring,snap	2	
11	K58622-15201	轴向垫圈 Washer,thrust	2	
12	K58622-09500	螺旋件 Screw set	2	
13	K58036-04600	卡簧 Ring,snap	2	
14	K91524-20020	输入轴 Shaft,input clutch	1	
1401	K05950-08008	螺钉 Screw set	2	

图 9 变速箱 (其 2)
Fig.9 Transmission (part-2)

1.0-3.5t
Y43160X 液力传动变速箱 (冈村)
Y43160X Hydrodynamic Transmission Gearbox (Okamura)



序号 Item	物料码 Part NO.	名称 Description	数量 Qty	备注或适用车型 Remarks Or Serial NO.
15	K91324-25500	前进齿轮 Gear,forward	1	
16	K91324-25600	倒车齿轮 Gear,reverse	1	
17	K91324-06500	回位弹簧 Spring,clutch return	2	
18	K91524-11200	弹性缓冲片 Spring,belle ville	2	
19	K91524-12900	轴承 Bearing,needle	2	
20	KF8000-08000	钢球 Ball,steel	2	
21	KF8010-06306	轴承 Bearing,ball	2	
22	K91524-11010	离合器缸总成 Clutch pack assy	1	INC:1-8,10-21

图 10 变速箱 (其 3)
Fig.10 Transmission(part-3)

1.0-3.5t
Y43160X 液力传动变速箱 (冈村)
Y43160X Hydrodynamic Transmission Gearbox (Okamura)

序号 Item	物料码 Part NO.	名称 Description	数量 Qty	备注或适用车型 Remarks Or Serial NO.
1	K91524-10030	导轮轴总成 Shaft assy,stator	1	
101	KF8000-12000	钢球 Ball,steel	1	
102	KF8000-14000	钢球 Ball,steel	3	
103	K04826-21600	密封盖 Cap,sealing	1	
104	NO PART NO.	定轴 Shaft,stator	1	
2	K91224-02600	油压调节阀 Valve,relief	2	
3	K91224-12500	弹簧 Spring,valve	2	
4	K91524-10010	机油泵体 Body assy,pump	1	
401	K91524-05600	衬套 Bushing	1	
402	NO PART NO.	泵体 Body,pump	1	
5	K91524-23100	油泵齿轮 Gear,pump drive	1	Z=25
6	K91524-13200	油泵齿轮 Gear,internal	1	Z=30
7	K91A24-07900	油封 Seal,oil	1	
8	K91A24-08300	密封圈 O-ring	1	
9	K91524-03500	螺栓 Bolt,flange	1	

图 10 变速箱 (其 3)
Fig.10 Transmission(part-3)

1.0-3.5t
Y43160X 液力传动变速箱 (冈村)
Y43160X Hydrodynamic Transmission Gearbox (Okamura)

序号 Item	物料码 Part NO.	名称 Description	数量 Qty	备注或适用车型 Remarks Or Serial NO.
10	KF2500-10000	垫圈 Washer,plain	2	
11	KF3202-02200	卡簧 Ring,snap	2	
12	K91324-05700	惰轮轴 Shaft,idler	1	
13	K91324-05800	齿轮 Gear,idler	1	Z=35
14	K91324-15903	输出齿轮 Gear,output	1	Z=70
15	K91324-22900	挡油板 Plate,baffle	1	
16	KF1805-08035	螺栓、垫圈 Bolt,w/washer b/w	1	
17	K91524-03500	法兰螺栓 bolt,flange	5	
18	K91A24-08100	法兰螺栓 Bolt,flange	2	
19	KF3200-03500	卡簧 Ring,snap	1	
20	K05500-31125	密封圈 O-ring	1	
21	KF8010-06306	轴承 Bearing,ball	2	
22	KF8004-06012	轴承 Bearing,ball	1	
23	KF8006-06212	轴承 Bearing,ball	1	
24	K91524-04200	法兰螺栓 Bolt,flange	1	

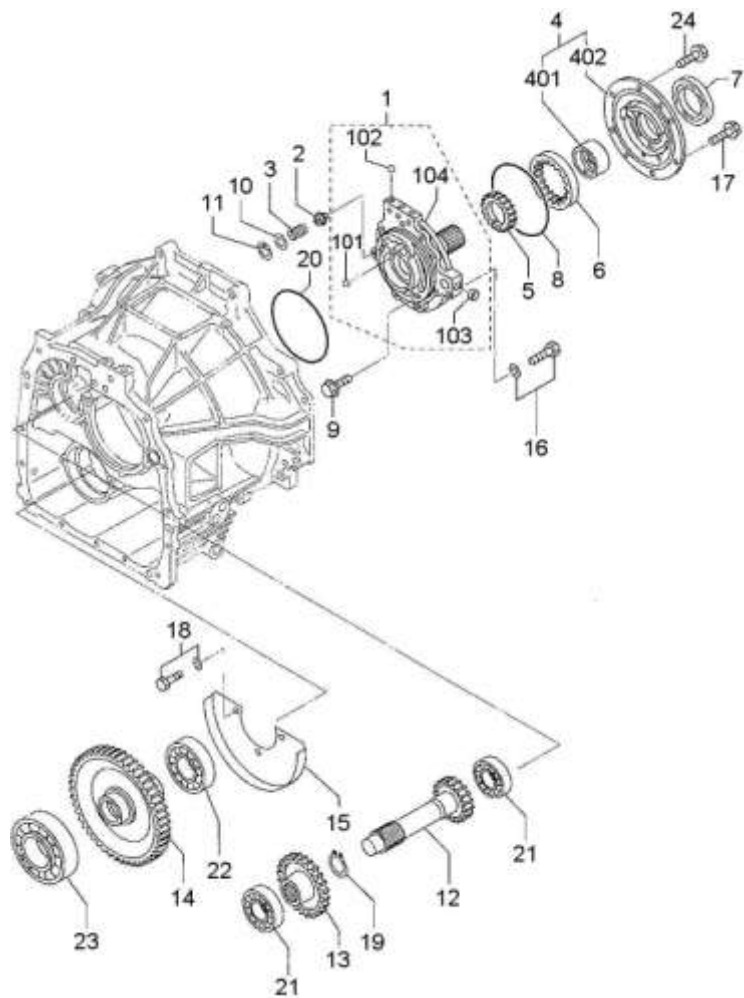


图 11 控制阀
Fig.11 Control valve

1.0-3.5t
Y43160X 液力传动变速箱 (冈村)
Y43160X Hydrodynamic Transmission Gearbox (Okamura)

序号 Item	物料码 Part NO.	名称 Description	数量 Qty	备注或适用车型 Remarks Or Serial NO.
A1	K91328-04000	控制阀总成 Valve assy,control	1	
2	K91228-00501	弹簧底座 Seat,spring	1	
3	K91228-06700	离合器阀弹簧 Spring,incing valve	1	
4	K91228-01300	主油压阀弹簧 Spring,main relief	1	
5	K91228-15201	缓冲阀活塞 Piston,accumulator	1	
6	K91228-15302	弹簧底座 Seat,spring	1	
7	K91228-26300	弹簧(外) Spring,outer	1	
8	K91228-16400	弹簧(内) Spring,inner	1	
9	NO PART NO.	离合器阀柱塞 Plunger,clutch valve	1	
10	K91228-10700	油封 Seal,oil	1	
11	K91228-10800	主油压弹簧 Spring,main relief	1	
12	K91228-11100	回位弹簧 Spring,return	1	
13	K91228-16500	离合器阀 Valve,clutch	1	
14	K65528-00902	组合塞 Plug,o-ring type	1	
15	K91328-04300	销 Pin	1	

图 11 控制阀
Fig.11 Control valve

1.0-3.5t
Y43160X 液力传动变速箱 (冈村)
Y43160X Hydrodynamic Transmission Gearbox (Okamura)

序号 Item	物料码 Part NO.	名称 Description	数量 Qty	备注或适用车型 Remarks Or Serial NO.
16	K58628-01702	定位销 Pin,stopper	1	
17	K51727-05402	螺杆 Slug	1	
18	K51727-06502	螺杆 Slug	1	
19	NO PART NO.	调压阀 Valve,regulator	1	
20	K91328-04500	螺栓 Bolt,flange	4	
21	K91328-03800	螺栓 Bolt,coating	2	
22	K91328-03900	螺栓 Bolt,coating	2	
23	K91328-04400	螺栓 Bolt,flange	2	
24	KF1805-08065	螺栓、垫圈 Bolt,w/washer B/W	4	
25	KF4202-14000	密封垫 Gasket	1	
26	KF5005-10001	螺塞 Plug,tapered	1	
27	KF5000-14000	油堵 Plug,drain	1	
28	K05500-19008	密封圈 O-ring	1	
29	K05500-19010	密封圈 O-ring	1	
30	K05500-24015	密封圈 O-ring	2	

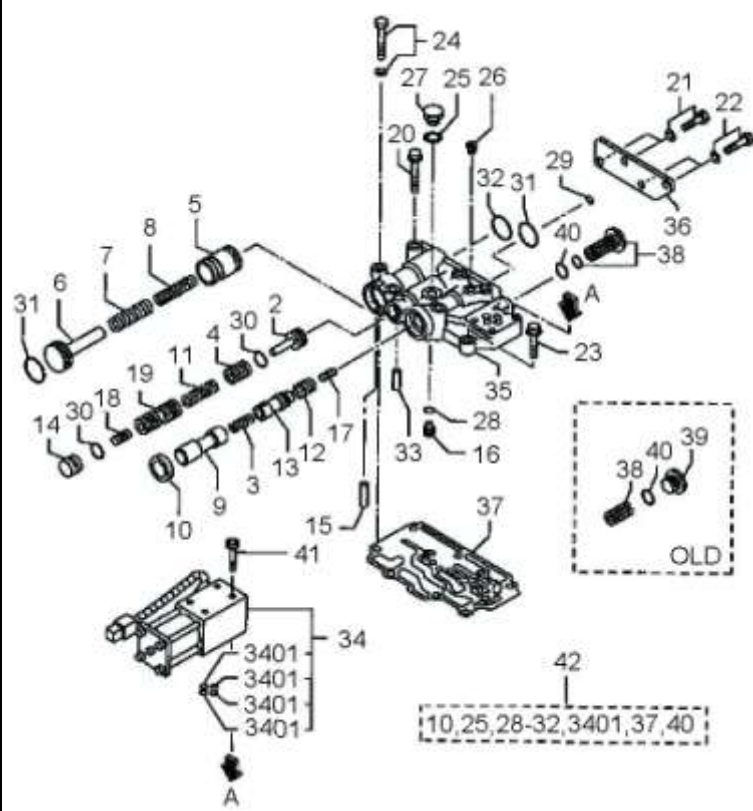


图 11 控制阀
Fig.11 Control valve

1.0-3.5t
Y43160X 液力传动变速箱 (冈村)
Y43160X Hydrodynamic Transmission Gearbox (Okamura)

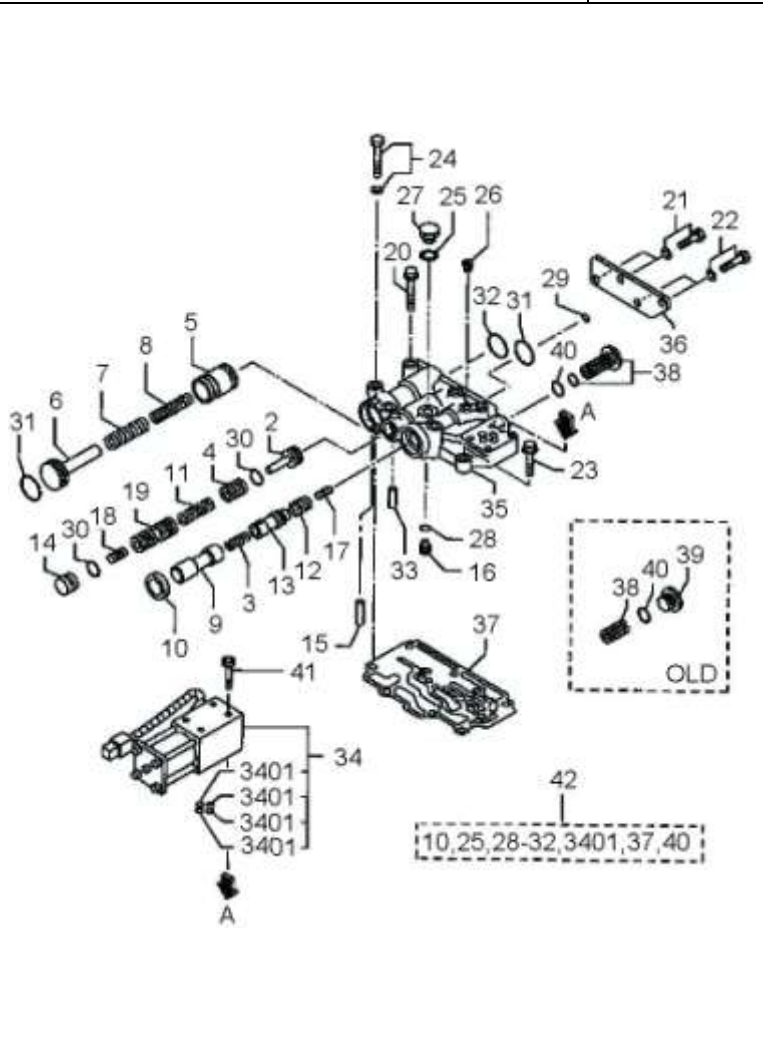
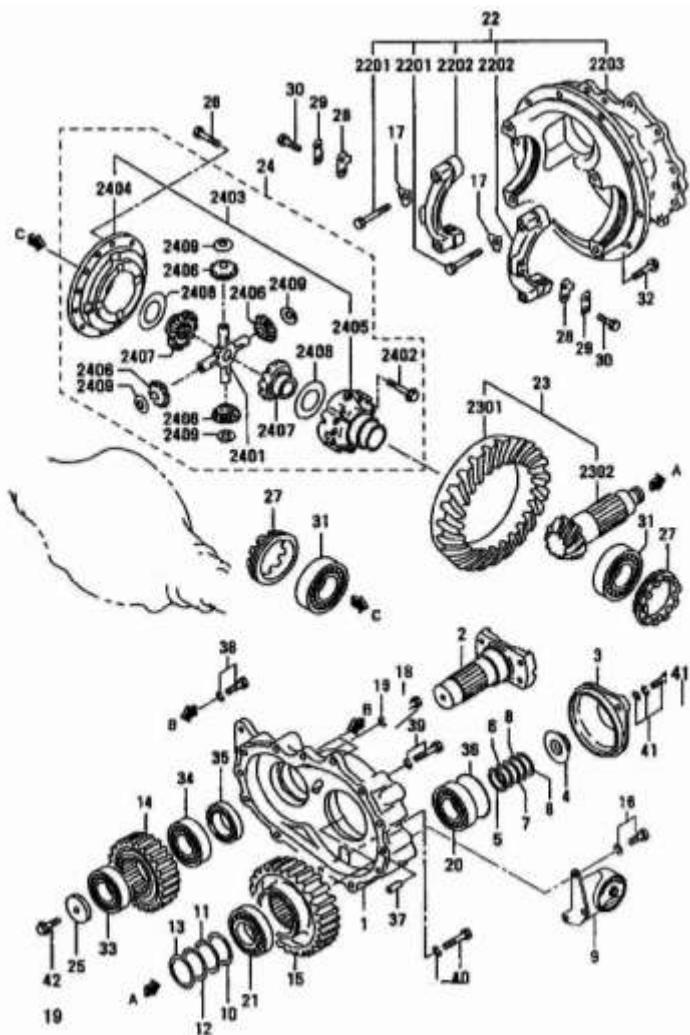
序号 Item	物料码 Part NO.	名称 Description	数量 Qty	备注或适用车型 Remarks Or Serial NO.			
							
31	K05500-35025				密封圈 O-ring	2	
32	K05500-35030				密封圈 O-ring	1	
33	K91328-04200				销 Pin	1	
34	K91A28-30010				电磁阀总成 Valve assy,solenoid	1	
3401	K91328-08500				密封圈 O-ring	4	
35					控制阀体 Body,valve	1	
36	K91328-03200				挡板 Plate,cover	1	
37	K91329-04700				密封垫 Gasket,valve	1	
38	K05530-50300				油塞 Plug,o-ring seal	1	
40	K00500-24014				密封圈 O-ring	4	
41	K91328-04800				螺栓 Bolt,solenoid valve	1	
42	K91328-00048				修理包 Repair kit,C/V	1	INC:10,25,28-32, 3401,37,40

图 12 3.0-3.5t 主减速器·差速器总成
Fig.12 3.0-3.5t Reduction & Differential

3.0-3.5t
Y43160X 液力传动变速箱 (冈村)
Y43160X Hydrodynamic Transmission Gearbox (Okamura)



序号 Item	物料码 Part NO.	名称 Description	数量 Qty	备注或适用车型 Remarks Or Serial NO.
1	K91331-40200	桥壳 Cover,Diff Carrier	1	
2	K91531-00800	输入法兰 Flange,Input T/F	1	
3	K91331-30400	防尘盖 Cover,Diff Pinion	1	
4	K91331-13600	锁紧螺母 Nut,Lock	1	
5	K91331-03700	调整垫片 Shim Ar T=0.05	1	
6	K91331-03800	调整垫片 Shim Ar T=0.1	1	
7	K91331-03900	调整垫片 Shim Ar T=0.2	1	
8	K91331-04200	调整垫片 Shim Ar T=1.0	2	
9	K91331-30031	支架总成 Bracket Assy L.H.	1	
10	K91331-01200	调整垫片 Shim Ar T=0.1	1	
11	K91331-01300	调整垫片 Shim Ar T=0.2	1	
12	K91331-01400	调整垫片 Shim Ar T=0.5	1	
13	K91331-01500	调整垫片 Shim Ar T=1.0	1	
14	K91331-11801	驱动齿轮 Gear,Drive T/F	1	
15	K91331-12401	驱动齿轮 Gear,Drive T/F	1	

图 12 3.0-3.5t 主减速器·差速器总成
Fig.12 3.0-3.5t Reduction & Differential

3.0-3.5t
Y43160X 液力传动变速箱 (冈村)
Y43160X Hydrodynamic Transmission Gearbox (Okamura)

序号 Item	物料码 Part NO.	名称 Description	数量 Qty	备注或适用车型 Remarks Or Serial NO.
16	KF1805-12025	螺栓、垫圈 Bolt,W/Washer B/W	3	
17	KMC866144	锁销 Plate,Lock	4	
18	KF1035-10080	螺栓 Bolt	1	
19	K92233-21600	弹簧垫 Bolt,Flange	2	
20	K05644-04200	轴承 Bearing,Taper Roller	1	
21	K05644-04300	轴承 Bearing,Taper Roller	1	
22	K91631-40011	主减速器壳 Carrier Assy,Diff	1	
2201	KMH001183	螺栓 Bolt,Bearing Cap	4	
2202	NO PART NO.	侧轴承 Cap,Side Bearing	2	
2203	NO PART NO.	茶速器座 Carrier,Diff	1	
23	K91631-20030	减速齿轮 Gear Set, Hypoid	1	Z=34&6
2301	NO PART NO.	齿圈 Gear,Hypoid	1	
2302	NO PART NO.	齿轴 Pinion,Hypoid	2	
24	K91631-10021	差速器总成 Gear Assy,Diff	1	
2401	K91631-00600	十字轴 Spider,Diff	1	

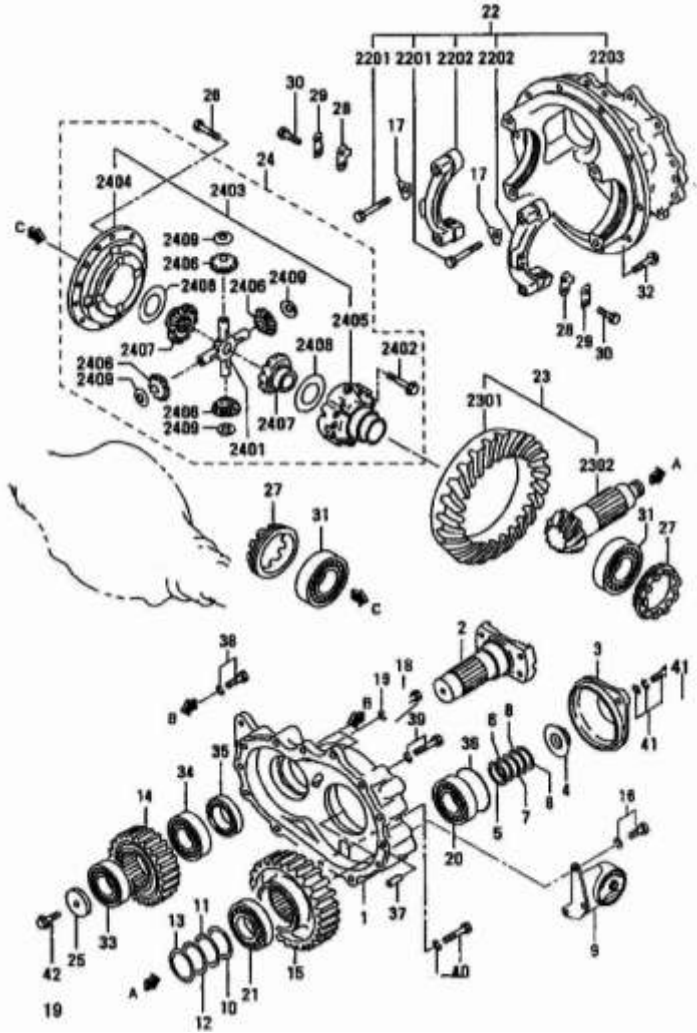
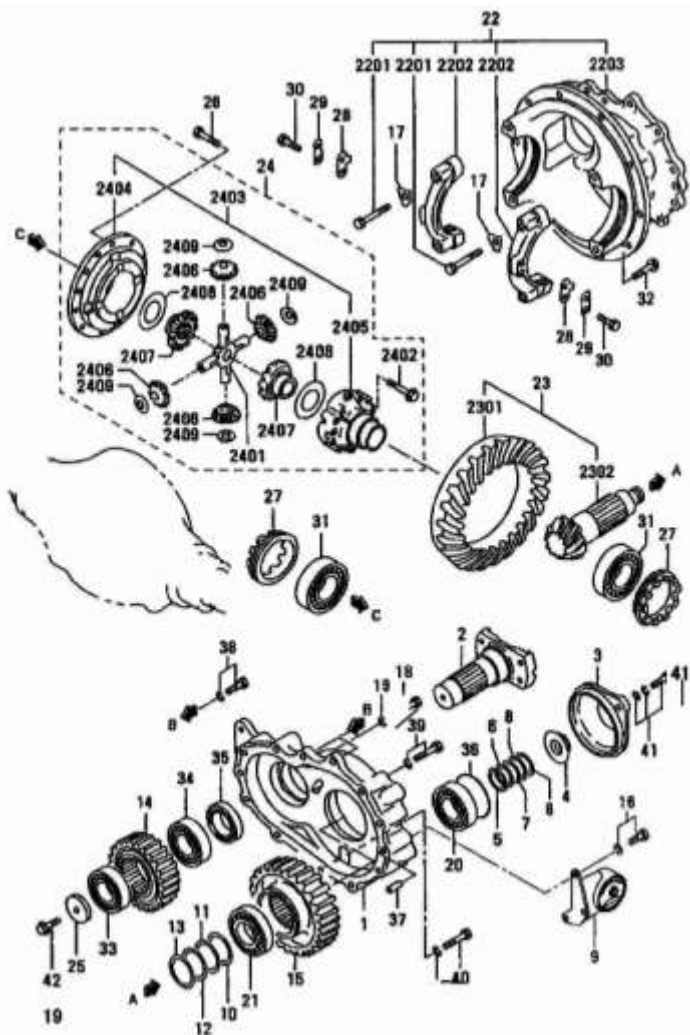


图 12 3.0-3.5t 主减速器·差速器总成
Fig.12 3.0-3.5t Reduction & Differential

3.0-3.5t
Y43160X 液力传动变速箱 (冈村)
Y43160X Hydrodynamic Transmission Gearbox (Okamura)



序号 Item	物料码 Part NO.	名称 Description	数量 Qty	备注或适用车型 Remarks Or Serial NO.
2402	KMC802397	螺栓 Bolt,Diff Case	12	
2403	K91631-00043	差速器壳 Case Set,Diff	1	
2404	NO PART NO.	左差速器壳 Case,Diff	1	
2405	NO PART NO.	右差速器壳 Case,Diff	1	
2406	K91631-00800	行星齿轮 Pinion,Diff Bevel	4	Z=11
2407	K91631-00700	半轴齿轮 Gear,Diff Bevel	2	Z=16
2408	KMC866977	垫圈 Washer,Diff T=3.0	2	
2409	KMC867093	止推垫片 Washer,Thrust	4	
25	K91531-00700	定位垫圈 Spacer	1	
26	KMC802396	螺栓 Bolt	12	
27	KMC803398	调整螺环 Screw,Adjusting	2	
28	KMC866145	锁片 Pawl,Lock	2	
29	KMC866146	锁片 Seat,Lock	2	
30	KF1035-10020	螺栓 Bolt	4	
31	KF8143-32214	圆锥滚子轴承 Bearing,Taper Roller	2	

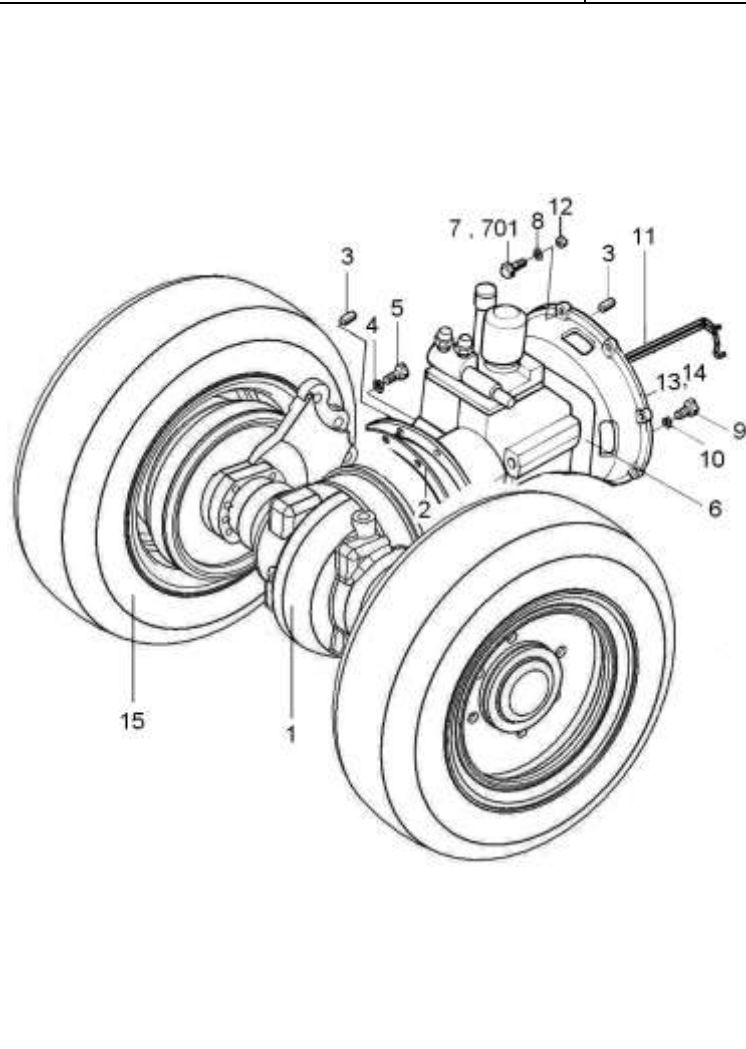
图 12 3.0-3.5t 主减速器·差速器总成
Fig.12 3.0-3.5t Reduction & Differential

3.0-3.5t
Y43160X 液力传动变速箱 (冈村)
Y43160X Hydrodynamic Transmission Gearbox (Okamura)

序号 Item	物料码 Part NO.	名称 Description	数量 Qty	备注或适用车型 Remarks Or Serial NO.
32	K92233-21600	螺栓 Bolt,Flange	14	
33	KF8006-06208	轴承 BEARING,BALL	1	
34	KF8006-06209	轴承 BEARING,BALL	1	
35	K05564-35100	油封 Seal,Oil	1	
36	KF3153-11000	密封圈 O-Ring	1	
37	KF2846-12000	销 Pin,Dowel	2	
38	K91A24-03300	螺栓、垫圈 Bolt,Flange B/W	2	
39	K91A24-07600	螺栓、垫圈 Bolt,Flange B/W	7	
40	K91A24-07700	螺栓 Bolt,Flange	1	
41	K91A24-13400	螺栓、垫圈 Bolt,Flange B/W	2	

图 13 传动系统
Fig.13 Driving system

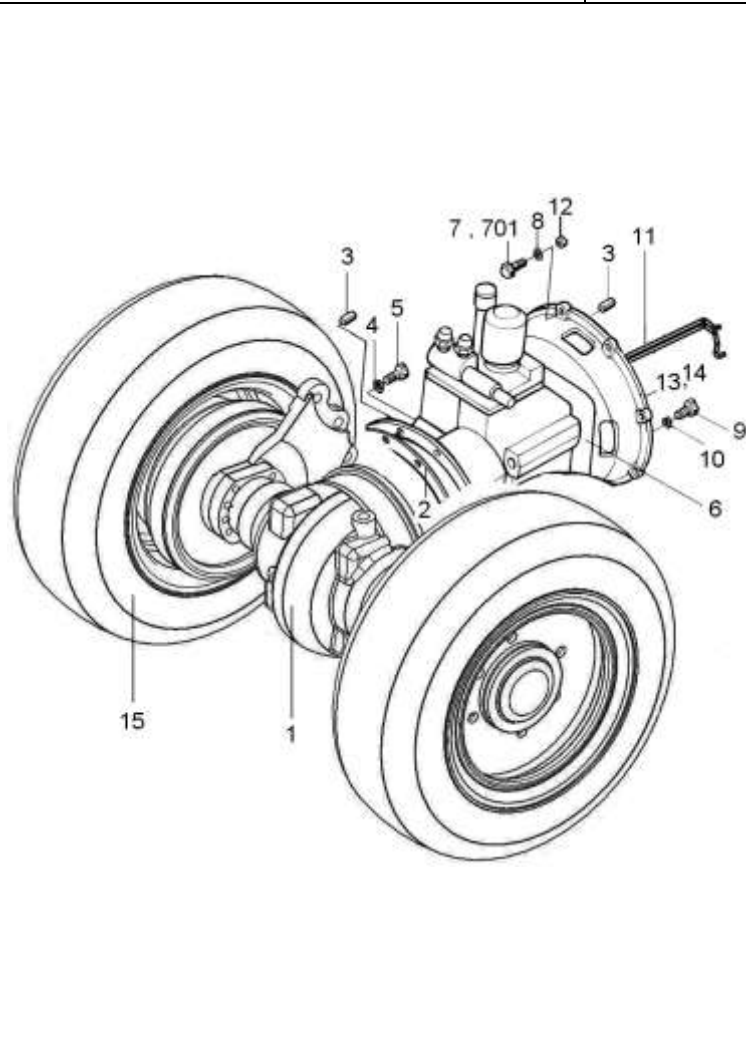
Ⓐ CPCD30/35-XW33F Ⓓ CPYD30/35-XW22F Ⓔ CPYD30/35-XW52F Ⓒ CPCD30/35-XW27F
 Ⓕ CPCD30-XW13F Ⓘ CPQD30/35-XW10F Ⓙ CPQD30/35-XW22F



序号 Item	物料码 Part NO.	名称 Description	数量 Qty	备注或适用车型 Remarks Or Serial NO.
1	XF300-110000-000	驱动桥总成 Drive axle assy	1	见图14 See Fig.14 单轮, Single tyre
1	XF300-110000-500	驱动桥总成 Drive axle assy	1	见图14 See Fig.14 双轮, Double tyre
2	XF250-100001-000	纸垫 Gasket	1	
3	G000119-012035-03	销 D12×35 Pin D12×35	3	
4	G000093-000012-00	垫圈 12 Washer 12	13	
5	G005783-012035-01	螺栓 M12×35 Bolt M12×35	13	
6	XF300-120000-G00	液力变速箱 Hydraulic transmission box	1	见图 17-图 21 See Fig.17- Fig.21
7	G005786-010035-04	螺栓 M10×1.25×35 Bol M10×1.25×35	10	Ⓐ Ⓒ Ⓘ Ⓙ
7	G005783-010035-00	螺栓 M10×35 Bol M10×35	10	Ⓓ Ⓙ For dual fuel engine <2011-12-01
7	G005783-010035-00	螺栓 M10×35 Bol M10×35	2	Ⓓ Ⓔ Ⓙ 双燃料叉车 For dual fuel engine ≥2011-12-01
701	G005783-010045-00	螺栓 M10×45 Bol M10×45	6	
8	G000093-000010-00	垫圈 10 Washer 10	10	Ⓐ Ⓒ Ⓘ Ⓙ
8	G000093-000010-00	垫圈 10 Washer 10	8	Ⓓ Ⓔ Ⓙ 双燃料叉车 For dual fuel engine
9	G005783-008020-01	螺栓 M8×20 Bol M8×20	12	Ⓐ Ⓒ Ⓘ Ⓙ
9	G005786-008020-04	螺栓 M10×1.25×20 Bol M10×1.25×20	12	Ⓓ Ⓔ Ⓙ 双燃料叉车 For dual fuel engine

图 13 传动系统
Fig.13 Driving system

Ⓐ CPCD30/35-XW33F Ⓓ CPYD30/35-XW22F Ⓔ CPYD30/35-XW52F Ⓒ CPCD30/35-XW27F
 Ⓕ CPCD30-XW13F Ⓘ CPQD30/35-XW10F Ⓙ CPQD30/35-XW22F



序号 Item	物料码 Part NO.	名称 Description	数量 Qty	备注或适用车型 Remarks Or Serial NO.
10	G000093-000008-00	垫圈 8 Washer 8	12	
11	XF250-120000-000	冷却油管总成 Oil coolingpipe assy	1	Ⓐ Ⓒ Ⓘ Ⓕ See Fig.15
11	XF251-120000-000	冷却油管总成 Oil coolingpipe assy	1	Ⓓ Ⓔ Ⓙ 双燃料叉车 Fig.15, Dual fuel engine
12	G006170-000010-00	螺母 M10 Nut M10	4	Ⓓ Ⓙ Dual fuel engine <2011-12-01
12	G006170-000010-00	螺母 M10 Nut M10	6	Ⓓ Ⓙ Ⓙ Dual fuel engine ≥2011-12-01
13	R564-100001-000	垫片 Washer	1	Ⓓ Ⓙ 双燃料叉车 For dual fuel engine
14	R564-100002-000	垫片 Washer	1	<2011-12-01
15	N163-113000-000	轮胎总成 (单轮) Type-assy,Single tyre	2	见图 3 See Fig.3
15	N163-113000-500	轮胎总成(双轮) Type-assy,Double tyre	2	见图 4 See Fig.4
15	N163-111000-500	轮胎总成(双轮) Type-assy,Double tyre	2	见图 4 See Fig.4

图 14 驱动桥总成
Fig.14 Drive axle assy

<2014-02-01

Ⓐ CPCD30/35-XW33F

Ⓓ CPYD30/35-XW22F

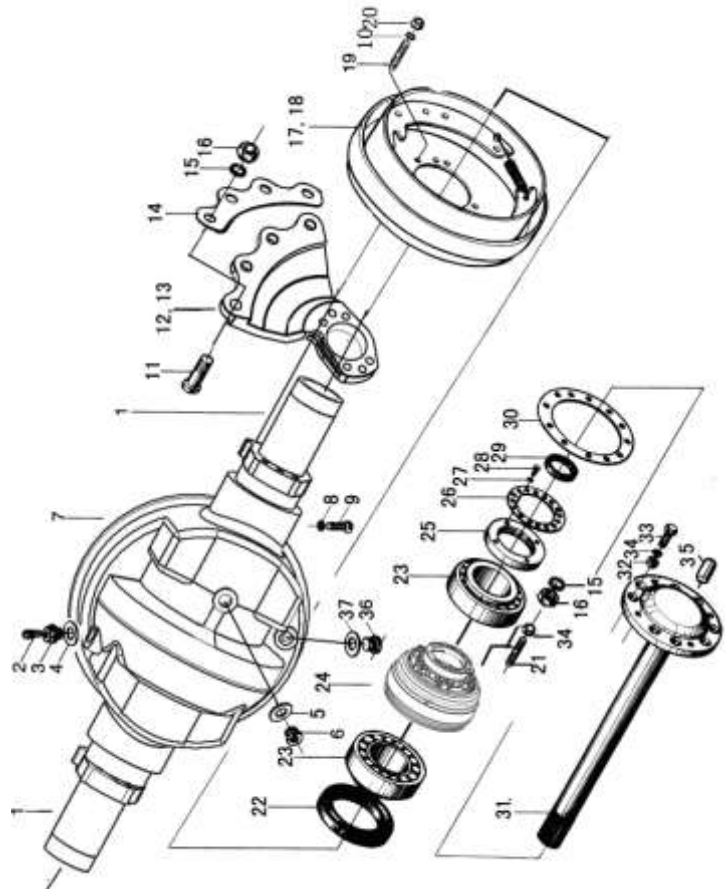
Ⓔ CPYD30/35-XW52F

Ⓒ CPCD30/35-XW27F

Ⓕ CPCD30-XW13F

Ⓘ CPQD30/35-XW10F

Ⓙ CPQD30/35-XW22F

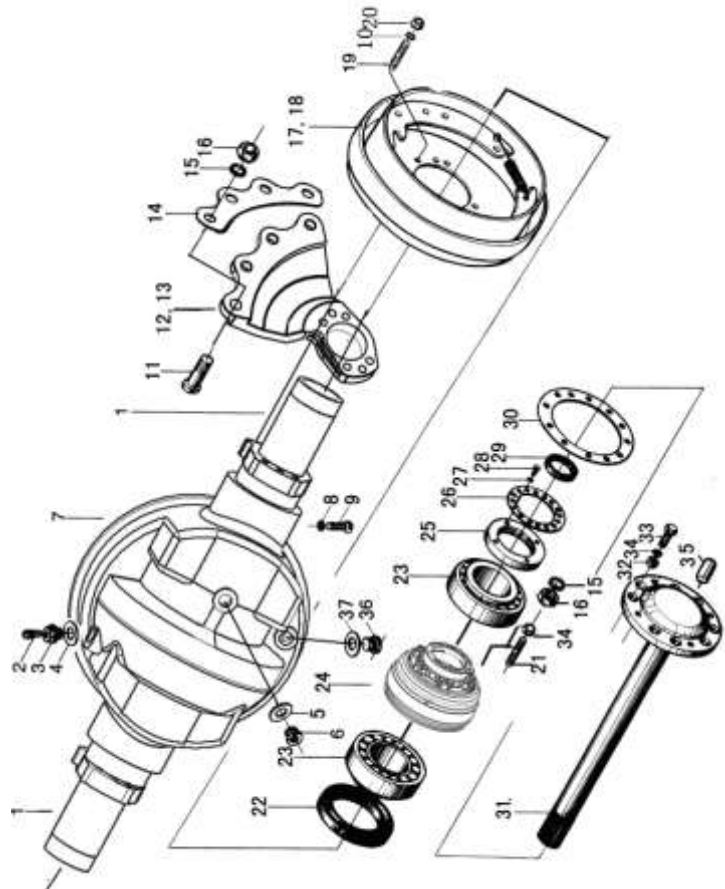


序号 Item	物料码 Part NO.	名称 Description	数量 Qty	备注或适用车型 Remarks Or Serial NO.
A1	XF300-113000-000	桥体 Axle	1	INC:1,7,8,9
1	XF250-113001-000	套管 Plug	2	不单独提供 Do not supply separately
2	Q903-Z1/8-G00	通气塞 Z 1/8 Vented plug	1	<2013-05-24
3	N163-110017-000	螺塞 Plug	1	
2	XB450-115000-000	呼吸器 Vented plug	1	前期用户, Early users 可两件一起更换 Can replacement two together
3	RC250-110004-000	内六角螺塞 Plug	1	≥2013-05-24
4	J000982-000022-00	垫圈 22 Washer 22	1	
5	J000982-000016-00	垫圈 16 Washer 16	1	
6	J001000-0161P5-00	螺塞 M16×1.5 Plug M16×1.5	1	
7	XF300-113001-000	桥壳 Axle housing	1	不单独提供 Do not supply separately
8	G000093-000014-00	垫圈 12 Washer 12	2	
9	G005783-012040-01	螺栓 M12×40 Bolt M12×40	2	
10	G007244-000012-00	垫圈 12 Washer 12	34	
11	XF250-110003-000	连接螺栓 Bolt	8	
12	XF300-110001-000	左支撑板 Left Plate	1	

图 14 驱动桥总成
Fig.14 Drive axle assy

<2014-02-01

Ⓐ CPCD30/35-XW33F Ⓓ CPYD30/35-XW22F Ⓔ CPYD30/35-XW52F Ⓒ CPCD30/35-XW27F
Ⓕ CPCD30-XW13F Ⓘ CPQD30/35-XW10F Ⓙ CPQD30/35-XW22F



序号 Item	物料码 Part NO.	名称 Description	数量 Qty	备注或适用车型 Remarks Or Serial NO.
13	XF300-110005-000	右支撑板 Right Plate	1	
14	XF250-110002-000	垫板 Plate	1	
15	G000093-000020-00	垫圈 20 Washer 20	20	
16	G006171-000020-02	螺母 M20×1.5 Nut M20×1.5	20	
17	XF300-111000-000	左制动器总成 Brake assy,LH	1	
18	XF300-112000-000	右制动器总成 Brake assy,RH	1	
19	XF300-110004-000	螺栓 Bolt	16	≤2011-10 螺柱 Stud
20	G006171-000012-02	螺母 M12×1.5 Nut M12×1.5	16	≤2011-10
21	N163-110014-000	轮毂螺栓 Bolt, Hub	12	单轮 Single tyre
21	N163-110001-500	轮毂螺栓 Bolt, Hub	12	双轮 Double tyre
22	HG40692-100014012-01	油封 SD100×140×12 Oil seal	2	
23	N163-110100-G00	轴承 7815 Bearing	4	
24	XF300-110002-000	轮毂 Hub	2	
25	N163-110009-000	锁紧螺母 Lock bolt	2	
26	N163-110011-000	锁紧片 Locking shim	2	

图 14 驱动桥总成
Fig.14 Drive axle assy

<2014-02-01

Ⓐ CPCD30/35-XW33F

Ⓓ CPYD30/35-XW22F

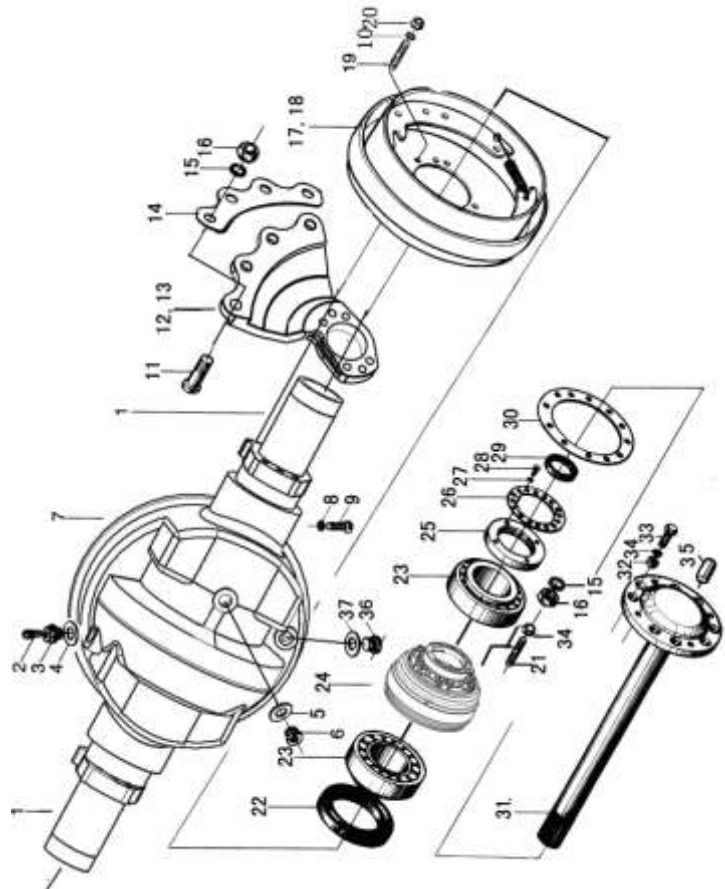
Ⓔ CPYD30/35-XW52F

Ⓒ CPCD30/35-XW27F

Ⓕ CPCD30-XW13F

Ⓘ CPQD30/35-XW10F

Ⓙ CPQD30/35-XW22F



序号 Item	物料码 Part NO.	名称 Description	数量 Qty	备注或适用车型 Remarks Or Serial NO.
27	G000093-000006-00	垫圈 6 Washer 6	4	
28	G005783-006012-01	螺栓 M6×12 Bolt M6×12	4	
29	HG40692-048006212-00	油封油封 Oil seal PD48×62×12	2	
30	N163-110018-000	纸垫 Gasket	2	
31	XF300-110003-000	半轴 Half shaft	2	
32	N163-110019-000	压紧衬套 Clamp split-ring	18	
33	N163-110021-000	螺栓 Nut	18	
34	N163-110015-000	轮毂螺母 Hub nut	12	
35	G000119-012035-03	销 D12×35 Pin D12×35	2	
36	N163-110016-000	螺塞 Plug	1	
37	J000982-000020-00	垫圈 20 Washer 20	1	

图 14-1 驱动桥总成
Fig.14-1 Drive axle assy

≥2014-02-01

Ⓐ CPCD30/35-XW33F

Ⓓ CPYD30/35-XW22F

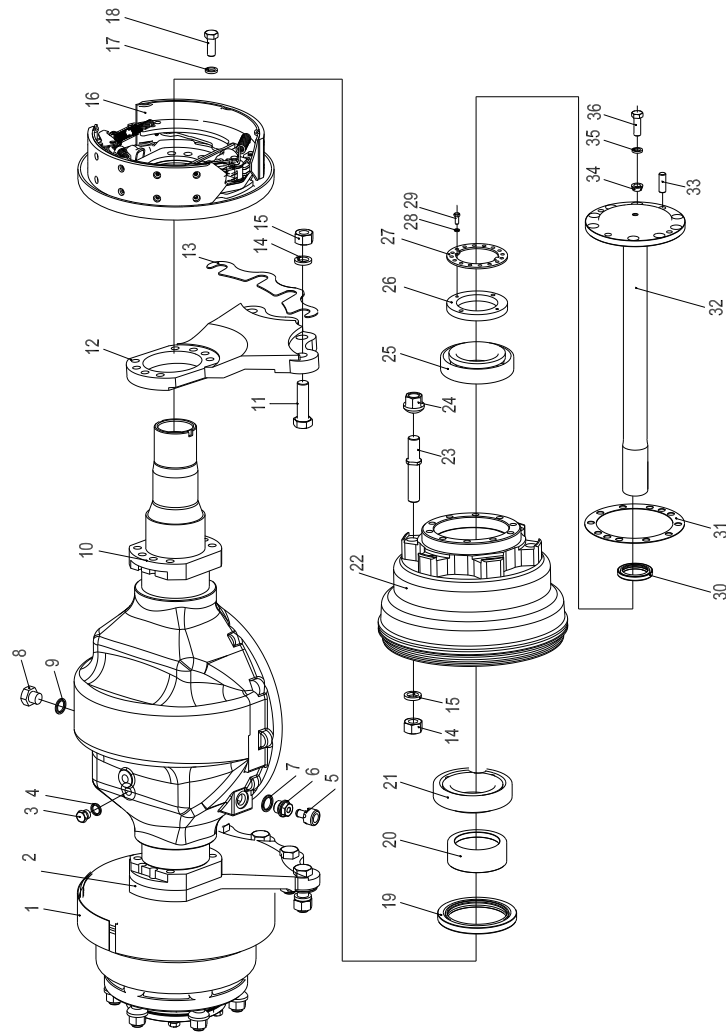
Ⓔ CPYD30/35-XW52F

Ⓒ CPCD30/35-XW27F

Ⓕ CPCD30-XW13F

Ⓘ CPQD30/35-XW10F

Ⓙ CPQD30/35-XW22F

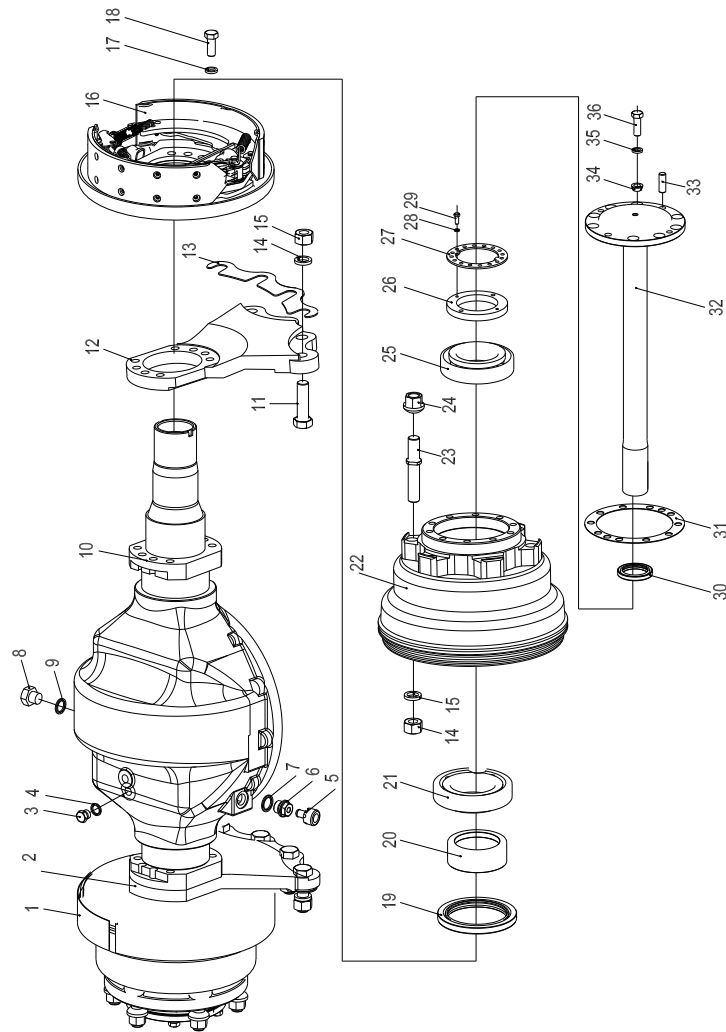


序号 Item	物料码 Part NO.	名称 Description	数量 Qty	备注或适用车型 Remarks Or Serial NO.
1	XF300-111000-G01	左制动器 Brake assy,LH	1	3.0t-3.5t
2	XF300-110001-001	左支撑板 Left Plate	1	3.0t-3.5t
3	J001000-0161P5-00	螺塞 M16×1.5 Plug M16×1.5	1	
4	J000982-000016-00	垫圈 16 Washer 16	1	
5	XB450-115000-000	呼吸器 Vented plug	1	
6	RC250-110004-000	内六角螺塞 Plug	1	
7	J000982-000022-00	垫圈 22 Washer 22	1	
8	N163-110016-000	螺塞 Plug	1	
9	J000982-000020-00	垫圈 20 Washer 20	1	
10	XF300-110006-000	桥体 Axle	1	3.0t-3.5t
11	XF250110003-000	连接螺栓 Bolt	8	
12	XF300-110005-001	右支撑板 Right Plate	1	3.0t-3.5t
13	XF250-110002-000	垫板 Plate	2	
14	G000093-000020-00	垫圈 20 Washer 20	20	
15	G006171-000020-02	螺母 M20×1.5 Nut M20×1.5	20	

图 14-1 驱动桥总成
Fig.14-1 Drive axle assy

≥2014-02-01

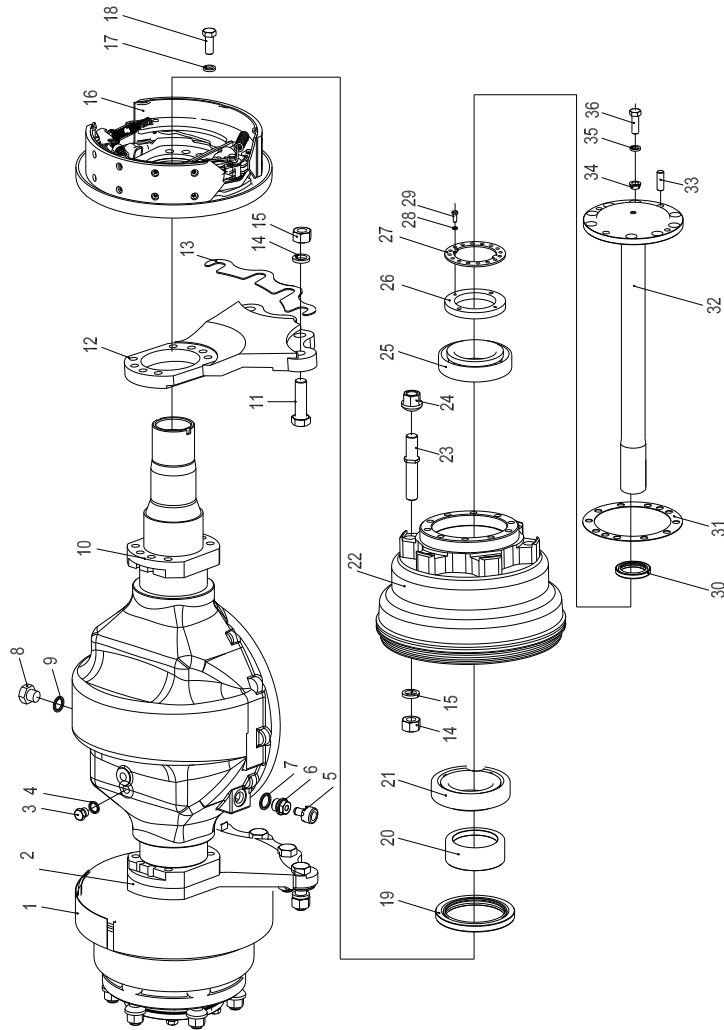
Ⓐ CPCD30/35-XW33F Ⓓ CPYD30/35-XW22F Ⓔ CPYD30/35-XW52F Ⓒ CPCD30/35-XW27F
 Ⓕ CPCD30-XW13F Ⓘ CPQD30/35-XW10F Ⓙ CPQD30/35-XW22F



序号 Item	物料码 Part NO.	名称 Description	数量 Qty	备注或适用车型 Remarks Or Serial NO.
16	XF300-112000-G01	右制动器总成 Brake assy,RH	1	3.0t-3.5t
17	G007244-000014-00	垫圈 14 Washer 14	16	
18	XF250-110007-000	螺栓 Bolt	16	
19	G9877P1-140010512-01	油封 FB105×140×12 Oil seal	2	
20	A300-110001-000	油封座 Oil Seat	2	
21	A300-110010-G00	轴承 7816 Bearing	2	
22	XF300-110002-001	轮毂 Hub	2	3.0t-3.5t
23	N163-110014-000	轮毂螺栓 Bolt, Hub	12	3.0t-3.5t 单轮 Single tyre
23	N163-110001-500	轮毂螺栓 Bolt, Hub	12	3.0t-3.5t 双轮 Double tyre
24	N163-110015-000	轮毂螺母 Nut, Hub	12	
25	N163-110100-G00	轴承 7815 Bearing	2	
26	N163-110009-000	锁紧螺母 Lock nut	2	
27	N163-110011-000	锁紧片 Locking shim	2	
28	G000093-000006-00	垫圈 6 Washer 6	4	
29	G005783-006012-00	螺栓 M6×12 Bolt M6×12	4	

图 14-1 驱动桥总成
Fig.14-1 Drive axle assy ≥2014-02-01

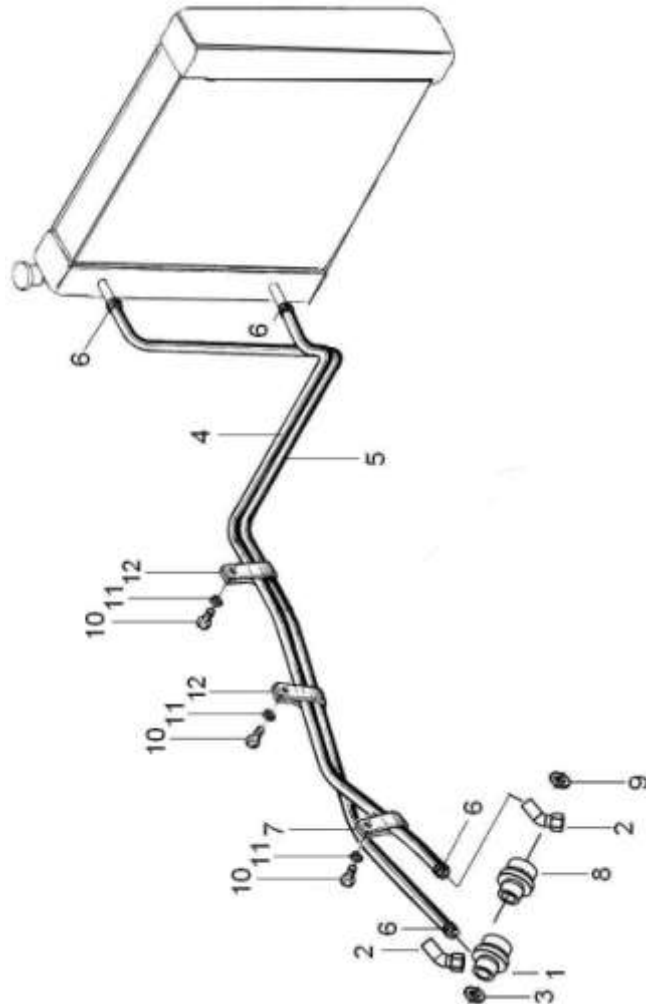
Ⓐ CPCD30/35-XW33F Ⓓ CPYD30/35-XW22F Ⓔ CPYD30/35-XW52F Ⓒ CPCD30/35-XW27F
 Ⓕ CPCD30-XW13F Ⓘ CPQD30/35-XW10F Ⓝ CPQD30/35-XW22F



序号 Item	物料码 Part NO.	名称 Description	数量 Qty	备注或适用车型 Remarks Or Serial NO.
30	HG40692-045006212-00	油封 PD45×62×12 Oil seal	2	
31	N163-110018-000	纸垫 Gasket	2	
32	XF300-110003-000	半轴 Half shaft	2	
33	G000119-012035-03	销 D12×35 Pin D12×35	2	
34	N163-110019-000	压紧衬套 Clamp split-ring	18	
35	G007244-000012-00	垫圈 12 Washer 12	18	
36	N163-110021-000	螺栓 Bolt	18	

图 15 冷却油管总成
Fig.15 Cooling oil pipe assy

Ⓐ CPCD30/35-XW33F Ⓓ CPYD30/35-XW22F Ⓔ CPYD30/35-XW52F Ⓒ CPCD30/35-XW27F
Ⓕ CPCD30-XW13F Ⓘ CPQD30/35-XW10F Ⓝ CPQD30/35-XW22F



序号 Item	物料码 Part NO.	名称 Description	数量 Qty	备注或适用车型 Remarks Or Serial NO.
1	XF250-120001-000	小管接头 Connector	2	
2	XF250-120002-000	回油管接头 Connector	2	
3	J000982-000016-00	垫圈 16 Washer	1	
4	XF250-120003-W00	胶管Φ 13L=1200 Rubber pipe	1	Ⓐ Ⓒ Ⓘ Ⓝ
4	XF251-120003-W00	胶管Φ 13L=2200 Rubber pipe	1	Ⓓ Ⓔ Ⓝ 双燃料叉车 For dual fuel engine
5	XF250-120004-W00	胶管Φ 13L=1500 Rubber pipe	1	Ⓐ Ⓒ Ⓘ Ⓝ
5	XF251-120004-W00	胶管Φ 13L=2700 Rubber pipe	1	Ⓓ Ⓔ Ⓝ 双燃料叉车 For dual fuel engine
6	Q672-23-G00	双钢丝式环箍 23 Clamp 23	4	
7	GX160-510035-000	抱箍 Clamp	1	
8	XF250-120005-000	大管接头 Connector	1	
9	J000982-000020-00	垫圈 20 Washer	1	
10	G005783-008012-00	螺栓 M8×12 Bolt M8×12	3	Ⓐ Ⓒ Ⓘ Ⓝ
10	G005783-008012-00	螺栓 M8×12 Bolt M8×12	4	Ⓓ Ⓔ Ⓝ 双燃料叉车 For dual fuel engine
11	G000093-000008-00	垫圈 8 Washer 8	3	Ⓐ Ⓒ Ⓘ Ⓝ
11	G000093-000008-00	垫圈 8 Washer 8	4	Ⓓ Ⓔ Ⓝ 双燃料叉车 For dual fuel engine

图 16-1 左制动器总成
Fig.16-1 Brake assy,LH

Ⓐ CPCD30/35-XW33F Ⓓ CPYD30/35-XW22F Ⓔ CPYD30/35-XW52F Ⓒ CPCD30/35-XW27F
Ⓕ CPCD30-XW13F Ⓘ CPQD30/35-XW10F Ⓙ CPQD30/35-XW22F

序号 Item	物料码 Part No.	名称 Description	数量 Qty	备注或适用车型 Remarks or Serial No.
A1	XF300-111000-G00	左制动器总成 Brake assy,LH	1	包含/INC:1-27, <2014-02-01
A1	XF300-111000-G01	左制动器 Brake assy,LH	1	包含/INC:1-27 ≥2014-02-01,驱动桥改进 Drive axle Improve
1	GB21-76- M8x1.25x25-6g	螺栓 M8x1.25x25-6g Bolt M8x1.25x25-6g	2	
2	GB91-76-8	弹簧垫圈 8 Washer 8	2	
3	24433-70040G	胶堵 Cove adjusting hole	1	
4	24433-70010G	压簧拉杆 Spring parking	2	
5	24433-72000G-L	左制动器底板总成 Brake plate assy,LH	1	<2014-02-01
5	24433-72000G01-L	左制动器底板总成 Brake plate assy,LH	1	≥2014-02-01,驱动桥改进 Drive axle Improve
6	24433-70150G	拉杆销 Pin	1	
7	24433-70140G-L	左手制动拉杆 Lever parking,LH	1	
A2	24433-71/5000G-L	制动蹄总成(左) Brake shoe assy,LH	1	INC:8,20
8	24433-75000G	制动蹄带摩擦片总成 Brake shoe	1	不单独提供 Do not supply separately
9	24433-70020G	压簧座 Spring seating	4	
10	24433-70030G	压簧 Spring	2	

图 16-1 左制动器总成
Fig.16-1 Brake assy,LH

Ⓐ CPCD30/35-XW33F Ⓓ CPYD30/35-XW22F Ⓔ CPYD30/35-XW52F Ⓒ CPCD30/35-XW27F
Ⓕ CPCD30-XW13F Ⓘ CPQD30/35-XW10F Ⓙ CPQD30/35-XW22F

序号 Item	物料码 Part No.	名称 Description	数量 Qty	备注或适用车型 Remarks or Serial No.
11	24433-70050G	拉簧 Spring	1	
12	24433-70100G-L	左棘爪 Lever,LH	1	
13	24433-70090G-L	左扭簧 Twist spring,LH	1	
14	24433-74000G-L	左间隙调整器总成 Adjusting fitting assy,LH	1	
15	24433-73000G	弹簧拉线装置 Spring fitting assy	1	
16	24433-70071G-L	左回位弹簧(后) Return spring, Left rear	1	
17	24433-70081G	导向块 Oriented block	1	
18	24433-70070G-L	左回位弹簧(前) Return spring, Left Front	1	
19	24433-70060G	导向板 Guide Strip	1	
20	24433-71001G-L	左制动蹄带摩擦片及挂簧销总成 Left Brake shoe with spring pin	1	不单独提供 Do not supply separately
21	24433-76000G	制动分泵总成 Wheel cylinder assy	1	
21-1	24433-76030G	分泵皮碗 Cup,piston	2	
21-2	22673-72101	制动分泵护罩 Cover,dust	2	
22	24433-70110G	扭簧销 Pin	1	

图 16-2 右制动器总成
Fig.16-2 Brake assy,RH

Ⓐ CPCD30/35-XW33F Ⓓ CPYD30/35-XW22F Ⓔ CPYD30/35-XW52F Ⓒ CPCD30/35-XW27F
Ⓕ CPCD30-XW13F Ⓘ CPQD30/35-XW10F Ⓙ CPQD30/35-XW22F

序号 Item	物料码 Part No.	名称 Description	数量 Qty	备注或适用车型 Remarks or Serial No.
A1	XF300-112000-G00	右制动器总成 Brake assy,RH	1	包含/INC:1-27, <2014-02-01
A1	XF300-112000-G01	右制动器总成 Brake assy,RH	1	包含/INC:1-27 ≥2014-02-01,驱动桥改进 Drive axle Improve
1	GB21-76- M8x1.25x25-6g	螺栓 M8x1.25x25-6g Bolt M8x1.25x25-6g	2	
2	GB91-76-8	弹簧垫圈 8 Washer 8	2	
3	24433-70040G	胶堵 Cove adjusting hole	1	
4	24433-70010G	压簧拉杆 Spring parking	2	
5	24433-72000G-R	右制动器底板总成 Brake plate assy,RH	1	<2014-01-01
5	24433-72000G01-R	右制动器底板总成 Brake plate assy,RH	1	≥2014-01-01,驱动桥改进 Drive axle Improve
6	24433-70150G	拉杆销 Pin	1	
7	24433-70140G-R	右手制动拉杆 Lever parking,RH	1	
A2	24433-71/5000G-R	制动蹄总成(右) Brake shoe assy,RH	1	INC:8,20
8	24433-75000G	制动蹄带摩擦片总成 Brake shoe	1	不单独提供 Do not supply separately
9	24433-70020G	压簧座 Spring seating	4	
10	24433-70030G	压簧 Spring	2	

图 16-2 右制动器总成
Fig.16-2 Brake assy,RH

Ⓐ CPCD30/35-XW33F Ⓓ CPYD30/35-XW22F Ⓔ CPYD30/35-XW52F Ⓒ CPCD30/35-XW27F
Ⓕ CPCD30-XW13F Ⓘ CPQD30/35-XW10F Ⓙ CPQD30/35-XW22F

序号 Item	物料码 Part No.	名称 Description	数量 Qty	备注或适用车型 Remarks or Serial No.
11	24433-70050G	拉簧 Spring	1	
12	24433-70100G-R	右棘爪 Lever,RH	1	
13	24433-70090G-R	右扭簧 Twist spring,RH	1	
14	24433-74000G-R	右间隙调整器总成 Adjusting fitting assy,RH	1	
15	24433-73000G	弹簧拉线装置 Spring fitting assy	1	
16	24433-70071G-R	右回位弹簧（后） Return spring, Right rear	1	
17	24433-70081G	导向块 Oriented block	1	
18	24433-70070G-R	右回位弹簧（前） Return spring, Right Front	1	
19	24433-70060G	导向板 Guide Strip	1	
20	24433-71001G-R	右制动蹄带摩擦片及挂簧销总成 Right Brake shoe with spring pin	1	不单独提供 Do not supply separately
21	24433-76000G	制动分泵总成 Wheel cylinder assy	1	
21-1	24433-76030G	分泵皮碗 Cup,piston	2	
21-2	22673-72101	制动分泵护罩 Cover,dust	2	
22	24433-70110G	扭簧销 Pin	1	

图 17 变速箱 (其 1)
Fig.17 Transmission (part-1)

1.0-3.5t
YQXF 系列液力传动变速箱 (绍兴)
YQXF Series Hydrodynamic Transmission Gearbox (SHAOXIN)

序号 Item	物料码 Part NO.	名称 Description	数量 Qty	备注或适用车型 Remarks Or Serial NO.
1	YQXF15-6100	变矩器 Torque-converter	1	1.0-1.8t
1	YQXF30-6100	变矩器 Torque-converter	1	2.0-3.5t
2	YQX30H-6200	输入板组件 Import board	1	
3	GB5786-86-M10×1.25×16	螺栓 M10×1.25×16 Bolt M10×1.25×16	6	
4	YQXF30-3001	泵体 Pump	1	
5	YQXF30-3200	主动齿轮组件 Drive gear	1	
6	YQXF30-3003	内齿轮 Inside gear	1	
7	TC 42×60×9	油封 Oil seal	1	
8	GB819-87-M6×12	十字槽沉头螺钉 M6×12 Bolt M6×12	1	
9	YQXF30-3002	导轮座(定子) Idler pulley seat	1	
10	YQXF30-0003	O 型圈 O-ring	1	
11	YQXF30-3101	密封环卡簧 Seal ring block	1	
12	YQXF30-3102	密封环 Seal ring	1	
13	YQXF30-0201	变矩器壳体 Case,tor-con	1	
14	GB93-87-10	弹簧垫圈 10 Washer 10	6	

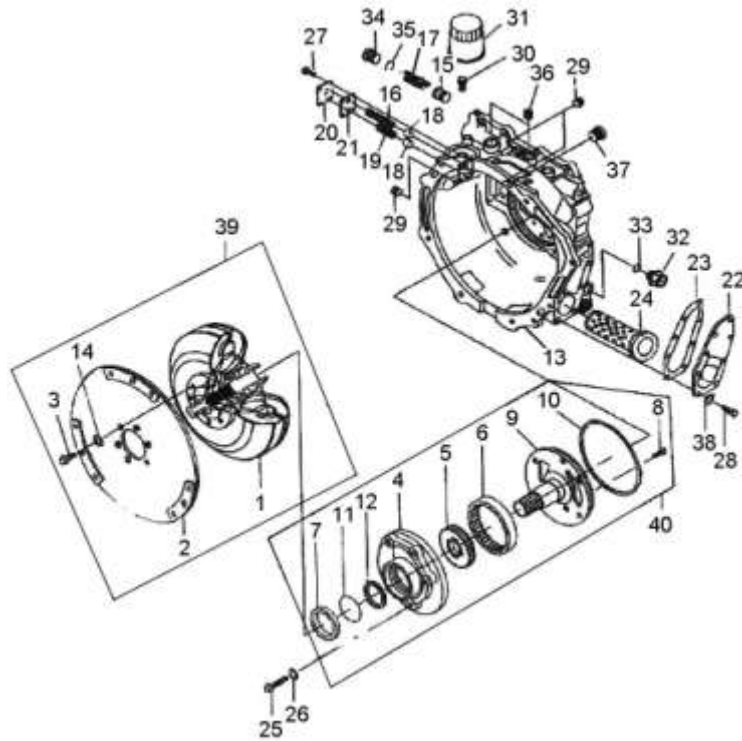


图 17 变速箱 (其 1)
Fig.17 Transmission (part-1)

1.0-3.5t
YQXF 系列液力传动变速箱 (绍兴)
YQXF Series Hydrodynamic Transmission Gearbox (SHAOXIN)

序号 Item	物料码 Part NO.	名称 Description	数量 Qty	备注或适用车型 Remarks Or Serial NO.
15	YQXF30-0206	活塞 Piston	1	
16	YQXF30-0211	弹簧 (II) Spring (II)	1	
17	YQXF30-0207	弹簧 (I) Spring (I)	1	
18	YQXF30-0209	活塞 Piston	2	
19	YQXF30-0212	弹簧 (III) Spring (III)	1	
20	YQXF30-0202	盖 Cover	1	
21	YQXF30-0203	密封垫 Seal wash	1	
22	YQXF30-0204	油滤座 Strainer seat	1	
23	YQXF30-0205	油滤座纸垫 Strainer washer	1	
24	YQXF30-0240	粗滤器组件 Strainer	1	
25	YQXF30-0008	六角法兰螺栓 Bolt	5	
26	Q20-03-8×14×1.5	密封圈 8×14×1.5 Washer 8×14×1.5	5	
27	GB70-85-M6×20	内六角螺钉 M6×20 Bolt M6×20	4	
28	GB5783-86-M8×30	螺栓 M8×30 Bolt M8×30	9	
29	JB/ZQ 4446-86 1/4	螺塞 Plug	3	

图 17 变速箱 (其 1)
Fig.17 Transmission (part-1)

1.0-3.5t
YQXF 系列液力传动变速箱 (绍兴)
YQXF Series Hydrodynamic Transmission Gearbox (SHAOXIN)

序号 Item	物料码 Part NO.	名称 Description	数量 Qty	备注或适用车型 Remarks Or Serial NO.
30	YQXF30-0215	管接头 Tie-in	1	
31	YQX30-0300	滤油器 (II) Strainer (II)	1	
32	YQS30-0104	磁性螺塞 Plug	1	
33	Q20-03 22×26×2	密封圈 Seal wash	1	
34	YQXF30-0208	主压力阀螺塞 Pressure valve plug	1	
35	GB3452.1-86-21×3	O 型圈 21×3 O-ring 21×3	1	
36	JB/ZQ 4444-86 R3/8	螺塞 R3/8 Plug	2	
37	JB/ZQ 4444-86 M22×1.5	内六角螺塞 M22×1.5 Plug M22×1.5	1	
38	GB97-85-8	平垫圈 8 Washer 8	9	
39	YQXF15-6000	YJH265E 变矩器 YJH265E Torque	1	1.0-1.8t
39	YQXF30-6000	YJH265G 变矩器 YJH265G Torque	1	2.0-3.5t
40	YQXF30-3000	油泵总成 Pump	1	

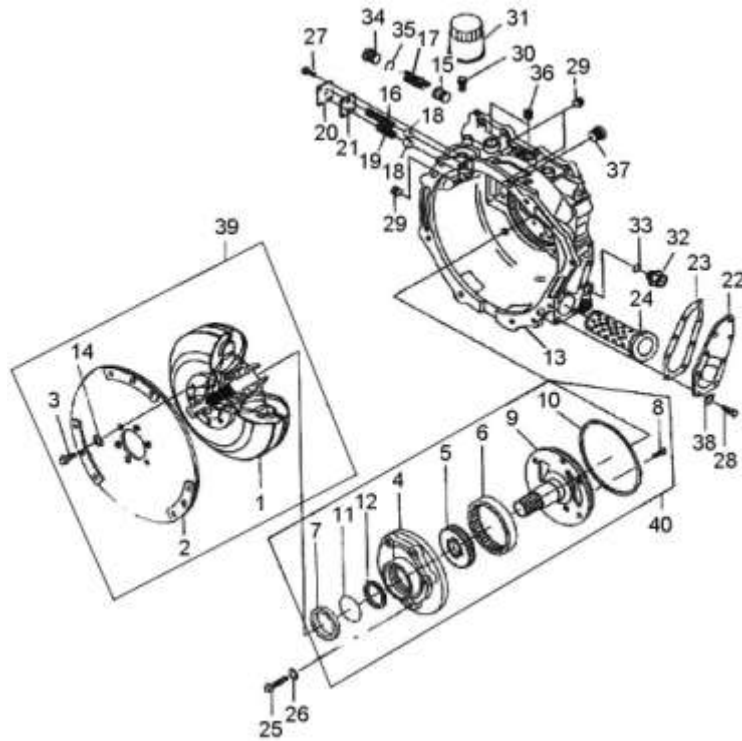
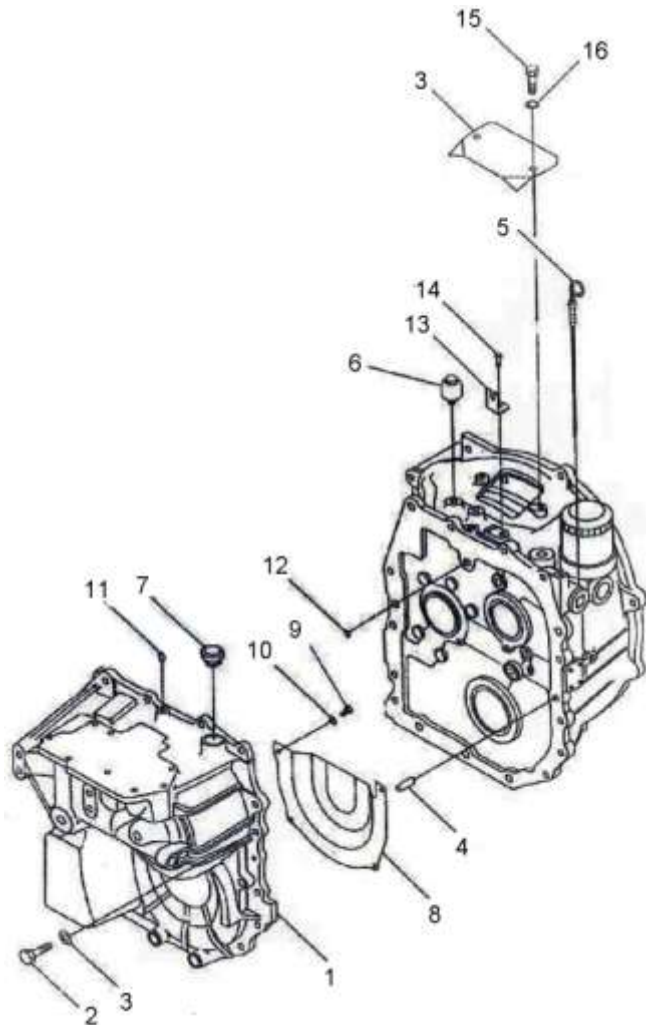


图 18 变速箱（其 2）
Fig. 18 Transmission (part-2)

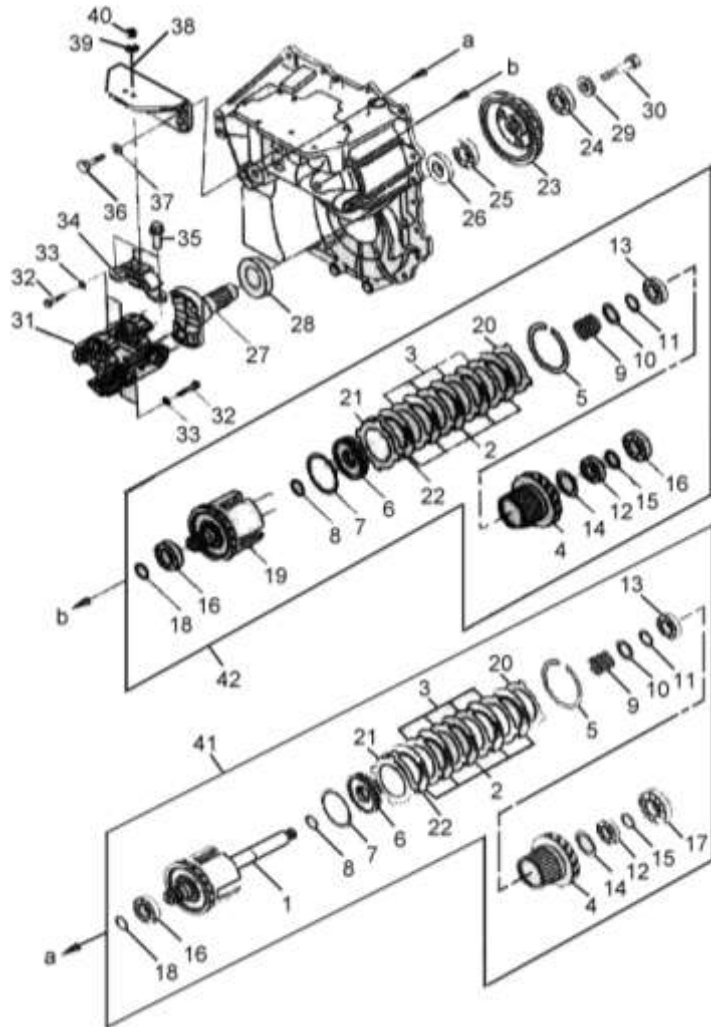
1.0-3.5t
YQXF 系列液力传动变速箱 (绍兴)
YQXF Series Hydrodynamic Transmission Gearbox (SHAOXIN)



序号 Item	物料码 Part NO.	名称 Description	数量 Qty	备注或适用车型 Remarks Or Serial NO.
1	YQXF30-0101	壳体 Tor-con	1	
1	YQXF30-0106	衬套 Bush	2	
2	YQXF30-0007	六角法兰螺栓 Bolt	17	
3	YQXF30-0213	盖板 Cover board	1	
4	GB120-86-10x24	内螺纹圆柱销 10x24 Pin 10x24	2	
5	YQXF30-0220	油尺 Dipstick	1	
6	YQXF30-0230	通气帽组件 Blowhole	1	
7	YQXF30-0104	加油口盖 Cover	1	
8	YQXF30-0102	挡油板 Blowd	1	
9	GB5783-86-M6x16	螺栓 M6x16 Bolt M6x16	4	
10	GB97.1-85-6	平垫圈 6 Washerr6	4	
11	JB/ZQ4446-86 R1/8	螺塞 R1/8 Plug R1/8	1	
12	GB3452.1-87-16x2.65	O 型圈 16x2.65 O-ring 16x2.65	1	
13	YQXF30-0214	挡板 Board	1	
14	GB5783-86	螺栓 M8x20 Bolt M8x20	1	

图 19 变速箱（其 3）
Fig. 19 Transmission (part-3)

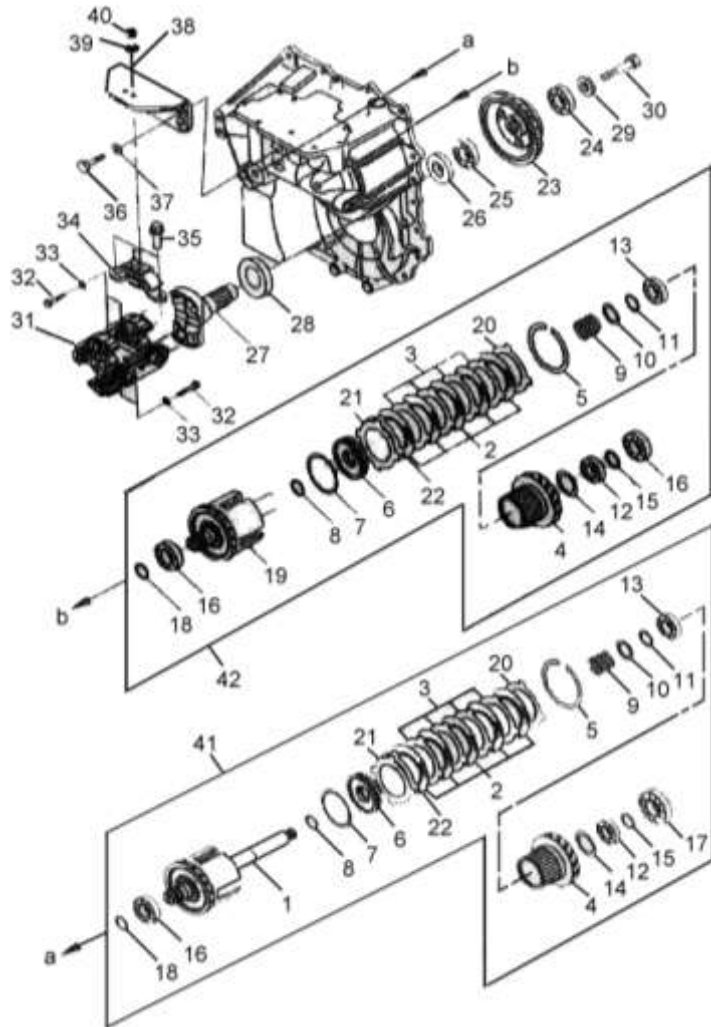
1.0-3.5t
YQXF 系列液力传动变速箱 (绍兴)
YQXF Series Hydrodynamic Transmission Gearbox (SHAOXIN)



序号 Item	物料码 Part NO.	名称 Description	数量 Qty	备注或适用车型 Remarks Or Serial NO.
1	YQXF30-1100	输入轴组件 Input axes	1	
2	YQXF30-1200	内摩擦片 Disk friction	10	1.0-1.8t 数量 8 1.0-1.8t Qty 8
3	YQXF30-1007	隔片 Spacer	8	1.0-1.8t 数量 6 1.0-1.8t Qty 6
4	YQXF30-1001	离合器齿轮 Clutch Gear	2	
5	YQX30-1014	卡簧 Block	2	
6	YQXF30-1300	活塞组件 Piston	2	
7	YQXF30-1009	活塞环 Piston ring	2	
8	YQS30-1002	密封环 Seal ring	2	
9	YQXF30-1005	弹簧 Spring	2	
10	YQXF30-1004	弹簧座 Spring seat	2	
11	YQXF30-1003	轴用挡圈 Snap ring external	2	
12	GB276-6006	轴承 Bearing	2	
13	GB276-6006RZ	轴承 Bearing	1	
14	GB893.1-86-55	孔用弹性挡圈 55 Snap ring exterior 55	10	
15	YQXF30-1002	隔圈 Spacer	8	

图 19 变速箱 (其 3)
Fig. 19 Transmission (part-3)

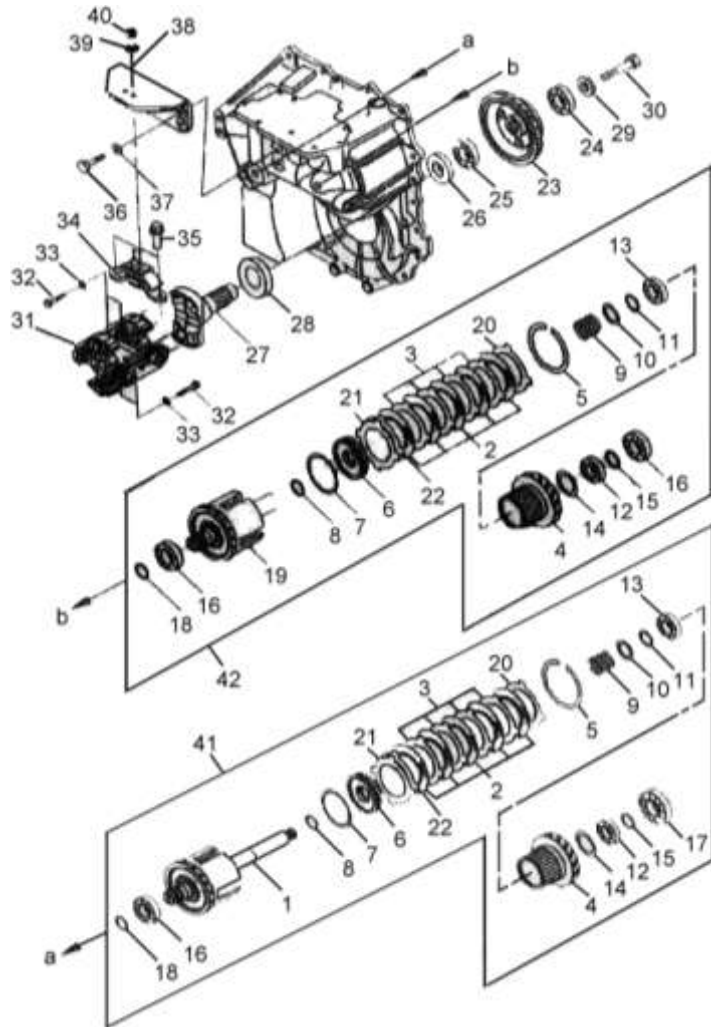
1.0-3.5t
YQXF 系列液力传动变速箱 (绍兴)
YQXF Series Hydrodynamic Transmission Gearbox (SHAOXIN)



序号 Item	物料码 Part NO.	名称 Description	数量 Qty	备注或适用车型 Remarks Or Serial NO.
16	GB276-6206	轴承 Bearing	2	
17	GB276-6306	轴承 Bearing	2	
18	YQX30-1006	密封环 (A) Seal ring(A)	2	
19	YQXF30-5100	中间轴组件 Middle axes	2	
20	YQXF30-1006	端板 Board	2	
21	YQXF15-1002	碟形板 Dish plate	2	1.0-1.8t
22	YQXF30-1008	垫板 Washer board	2	
23	YQXF30-0001	输出齿轮 Out put gear	2	
24	GB276-94-6306	轴承 6306 Bearing 6306	2	
25	GB276-94-6307	轴承 6307 Bearing 6307	1	
26	YQXF30-0400	输出法兰油封 Output flange seal	1	
27	YQXF30-0301	输出法兰 Output flange	1	
28	YQXF30-0302	防尘罩 Dustproof cover	1	
29	YQXF30-0002	垫圈 Washer	1	
30	GB5782-86-M12x95	螺栓 M12x95 Bolt M12x95	1	

图 19 变速箱 (其 3)
Fig. 19 Transmission (part-3)

1.0-3.5t
YQXF 系列液力传动变速箱 (绍兴)
YQXF Series Hydrodynamic Transmission Gearbox (SHAOXIN)



序号 Item	物料码 Part NO.	名称 Description	数量 Qty	备注或适用车型 Remarks Or Serial NO.
31	YQXF30-7000	联轴器总成 Yoke coupling	1	
32	YQXF30-0005	螺栓 Bolt	8	
33	GB93-87-10	弹簧垫圈 10 Washer 10	8	
34	YQXF30-2070	支座组件 Seat assy	1	
34	YQXF30-2003	固定架 Fastness seat	1	
35	YQXF30-2002	螺栓 Bolt	2	
36	YQXF30-0105	螺栓 Bolt	4	
37	GB97.1-85-12	平垫圈 12 Washer 12	4	
38	YQXF30-0103	支架 Plank	1	
39	GB97-85-12	垫圈 12 Washer 12	2	
40	GB6185-85-M12×1.25	六角锁紧螺母 Nut M12×1.25	2	
41	YQXF15-1000	输入轴总成(输入离合器) input axes	1	1.0-1.8t
41	YQXF30-1000	输入轴总成(输入离合器) input axes	1	2.0-3.5t
42	YQXF15-5000	中间轴总成(中间离合器) middle axes	1	1.0-1.8t
42	YQXF30-5000	中间轴总成(中间离合器) middle axes	1	2.0-3.5t

图 20 电磁控制操纵阀
Fig. 20 Electro-hydraulic operating valve

1.0-3.5t
YQXF 系列液力传动变速箱 (绍兴)
YQXF Series Hydrodynamic Transmission Gearbox (SHAOXIN)

序号 Item	物料码 Part NO.	名称 Description	数量 Qty	备注或适用车型 Remarks Or Serial NO.
1	YQXF30-4101	阀体 Body, valve	1	
2	YQXF30-4102	微动阀芯 Inching plunger	1	
3	YQXF30-4103	阀套 Valve cover	1	
4	YQXF30-4104	定位弹簧 Orientation spring	1	
5	YQXF30-4105	弹簧座 Spring seat	1	
6	GB879-86-3×16	弹性圆柱销 3×16 Pin 3×16	1	
7	YQXF30-4106	复位弹簧 Displasis spring	1	
8	YQXF30-4107	调节阀芯 Adjust plunger	1	
9	YQXF30-4109	调节阀内簧 Adjust Internal spring	1	
10	YQXF30-4108	调节阀外簧 Adjust external spring	1	
11	YQXF30-4111	限位销 Limit pin	1	
12	YQXF30-4112	盖板 Board	1	
13	YQXF30-4113	密封垫 Seal washer	1	
14	GB82-86-M6×16	螺栓 M6×16 Bolt M6×16	6	
15	YQXF30-4115	柱塞 Plug	1	

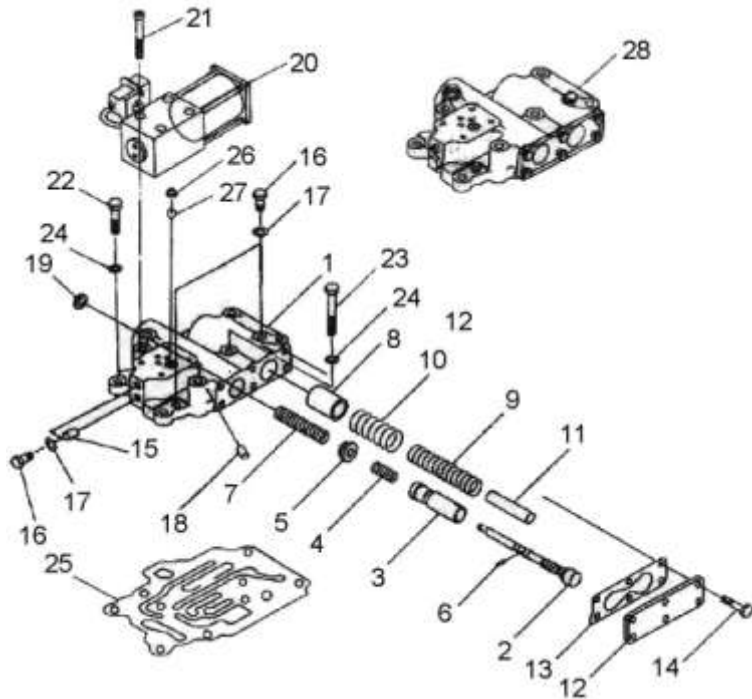


图 20 电磁控制操纵阀
Fig. 20 Electro-hydraulic operating valve

1.0-3.5t
YQXF 系列液力传动变速箱 (绍兴)
YQXF Series Hydrodynamic Transmission Gearbox (SHAOXIN)

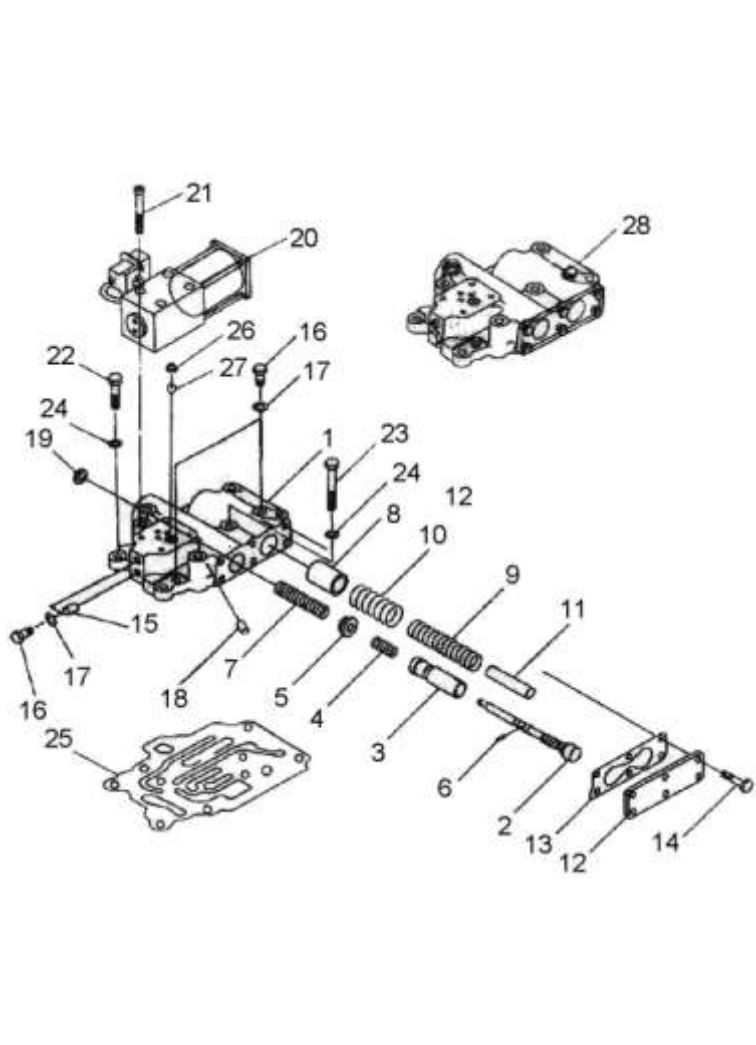
序号 Item	物料码 Part NO.	名称 Description	数量 Qty	备注或适用车型 Remarks Or Serial NO.			
							
16	YQXF30-4116				螺塞 M10×1 Plug M10×1	4	
17	Q20-03-10×16×1				密封垫 10×16×1 Seal washer	4	
18	YQXF30-4114				阻尼塞 Plug	1	
19	YQXF30-4140				骨架油封 10×22×7 Oil seal	1	
20	YQX30D-4200				电磁换向阀 Electromagnetic valve	1	
21	GB70-85-M5×45				内六角螺钉 M5×45 Bolt M5×45	4	
22	GB5783-86-M8×35				螺栓 M8×35 Bolt M8×35	2	
23	GB5782-86-M8×60				螺栓 M8×60 Bolt M8×60	5	
24	GB97-85-8				平垫圈 8 Washer 8	7	
25	YQXF30-0004				密封垫 Seal washer	1	
26	YQXF30-4150				包边滤片 Colander	1	
27	GB1235-76-12×1.9				O 型密封圈 12×1.9 O-ring 12×1.9	1	
28	YQXF30-4100				操纵阀总成 Operating Valve	1	

图 21 减速器总成
Fig21 Reduction assy

1.0-3.5t
YQXF 系列液力传动变速箱 (绍兴)
YQXF Series Hydrodynamic Transmission Gearbox (SHAOXIN)

序号 Item	物料码 Part NO.	名称 Description	数量 Qty	备注或适用车型 Remarks Or Serial NO.
1	YQXF15-2201	差速器座 Body, valve	1	1.0-1.8t 1,2 成对购买 1.0-1.8t 1,2 Paired buy
1	YQXF20-2201	差速器座 Body, valve	1	2.0-2.5t 1,2 成对购买 2.0-2.5t 1,2 Paired buy
1	YQXF30-2201	差速器座 Body, valve	1	3.0-3.5t 1,2 成对购买 3.0-3.5t 1,2 Paired buy
2	YQXF30-2202	轴承座 Gear seat	2	1、2成对购买 1、2Paired buy
3	YQXF30-2203	螺栓 Bolt	4	
4	YQXF30-2041	轴承座 Gear seat	1	3-3.5 t
5	YQXF30-2110	螺栓 Bolt	3	3-3.5 t
6	YQXF30-2109	螺栓 Bolt	5	3-3.5 t
7	YQXF30-2001	差速器盖 Differential cover	1	
8	GB5782-86-M10×55	螺栓 M10×55 Bolt M10×55	2	
9	GB5782-86-M10×70	螺栓 M10×70 Bolt M10×70	8	
10	GB93-87-10	垫片 10 Washer10	10	
11	GB120-86-12×28	内螺纹圆柱销 12×28 Pin 12×28	2	
12	YQXF15-2031	主动齿轮 Initiative	1	1.0-1.8t 12,19 成对购买 1.0-1.8t 12,19Paired buy
12	YQXF30-2031	主动齿轮 Initiative	1	2.0-3.5t 12,19 成对购买 2.0-3.5t 12,19Paired buy

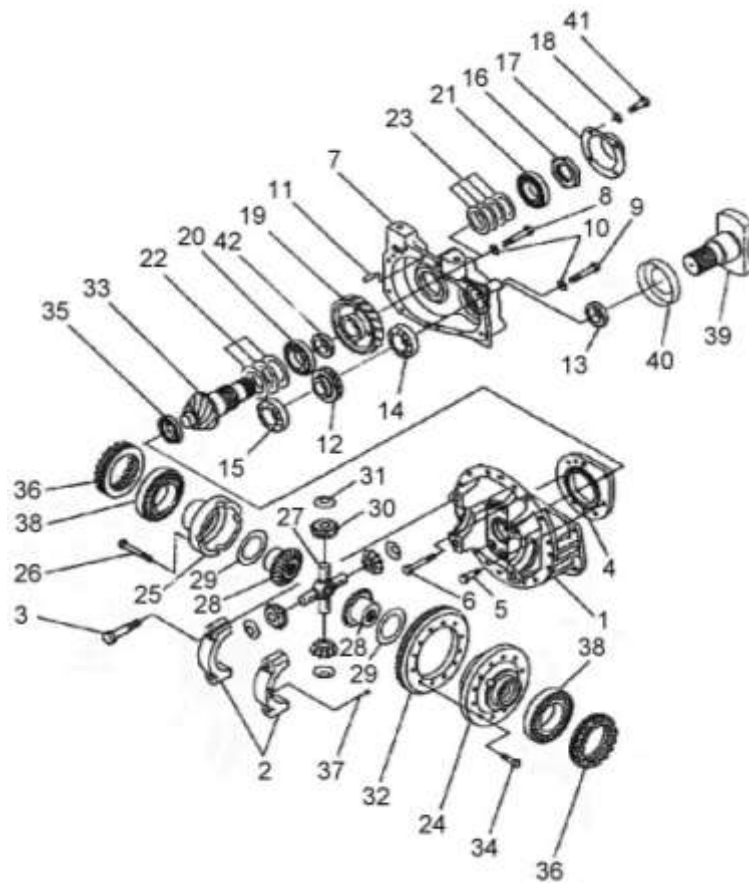


图 21 减速器总成
Fig21 Reduction assy

1.0-3.5t
YQXF 系列液力传动变速箱 (绍兴)
YQXF Series Hydrodynamic Transmission Gearbox (SHAOXIN)

序号 Item	物料码 Part NO.	名称 Description	数量 Qty	备注或适用车型 Remarks Or Serial NO.			
13	YQXF30-2050				油封 Oil seal	1	
14	GB276-94-6210				轴承 6210 Gear 6210	1	
15	GB276-94-6211				轴承 6211 Gear 6211	1	
16	YQXF30-2008				锁紧螺母 Lock nut	1	
17	YQXF30-2011				端盖 Cover	1	
18	GB97-85-8				垫片 8 Washer 8	4	
19	YQXF15-2003				从动齿轮 Bevel gear	1	1.0-1.8t 12,19 成对购买 1.0-1.8t 12,19 Paired buy
19	YQXF30-2005				从动齿轮 Bevel gear	1	2.0-3.5t 12,19 成对购买 2.0-3.5t 12,19 Paired buy
20	GB297-94 30310				轴承 30310 Bearing 30310	1	
21	GB297-94 30309				轴承 30309 Bearing 30309	1	
22	YQXF30-2006				调整垫 Adjust washer	按需	
23	YQXF30-2007				调整垫 Adjust washer	按需	
24	YQXF15-2111				差速器壳-左 Differential hull,Left	1	1.0-1.8t 24,25 成对购买 1.0-1.8t 24,25 Paired buy
24	YQXF20-2111				差速器壳-左 Differential hull,Left	1	2.0-2.5t 24,25 成对购买 2.0-2.5t 24,25 Paired buy
24	YQXF30-2111	差速器壳-左 Differential hull,Left	1	3.0-3.5t 24,25 成对购买 3.0-3.5t 24,25 Paired buy			

图 21 减速器总成
Fig21 Reduction assy

1.0-3.5t
YQXF 系列液力传动变速箱 (绍兴)
YQXF Series Hydrodynamic Transmission Gearbox (SHAOXIN)

序号 Item	物料码 Part NO.	名称 Description	数量 Qty	备注或适用车型 Remarks Or Serial NO.
25	YQXF20-2112	差速器壳-右 Differential hull,Right	1	1.0-2.5t 24,25 成对购买 1.0-2.5t 24,25 Paired buy
25	YQXF30-2112	差速器壳-右 Differential hull,Right	1	3.0-3.5t 24,25 成对购买 3.0-3.5t 24,25 Paired buy
26	YQXF30-2108	螺栓 Bolt	16	
27	YQXF20-2107	十字轴 Shaft-pinion mate	1	1.0-2.5t
27	YQXF30-2107	十字轴 Shaft-pinion mate	1	3.0-3.5t
28	YQXF20-2101	半轴齿轮 Side gear	2	1.0-2.5t
28	YQXF30-2101	半轴齿轮 Side gear	2	3.0-3.5t
29	YQXF20-2105	垫圈 Washer	2	1.0-2.5t
29	YQXF30-2105	垫圈 Washer	2	3.0-3.5t
30	YQXF20-2106	行星齿轮 Gear-pinion	4	1.0-2.5t
30	YQXF30-2106	行星齿轮 Gear-pinion	4	3.0-3.5t
31	YQXF20-2104	止推垫圈 Cease washer	4	1.0-2.5t
31	YQXF30-2104	止推垫圈 Cease washer	4	3.0-3.5t
32	YQXF15-2101	从动螺旋伞齿轮 Bevel gear,driven	1	1.0-1.8t 32,33 成对购买 1.0-1.8t 32,33 Paired buy
32	YQXF20-2103	从动螺旋伞齿轮 Bevel gear,driven	1	2.0-2.5t 32,33 成对购买 2.0-2.5t 32,33 Paired buy

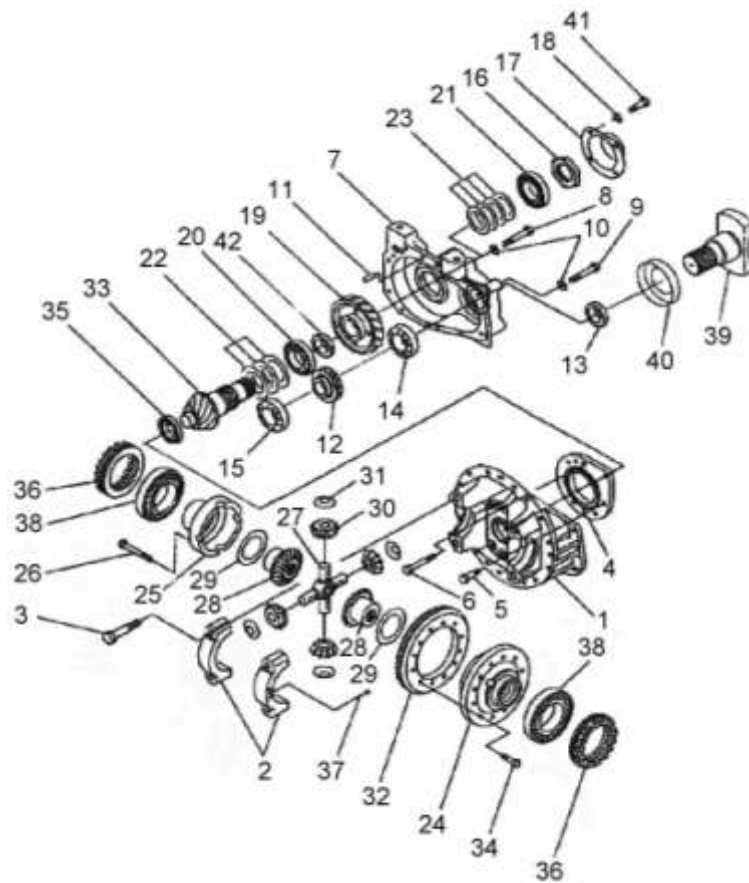


图 21 减速器总成
Fig21 Reduction assy

1.0-3.5t
YQXF 系列液力传动变速箱 (绍兴)
YQXF Series Hydrodynamic Transmission Gearbox (SHAOXIN)

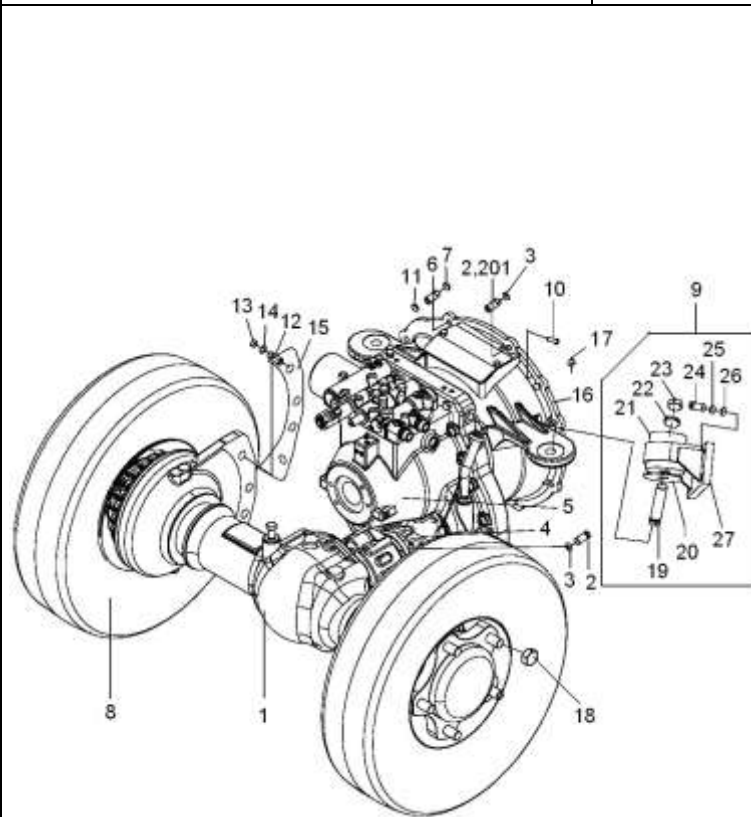
序号 Item	物料码 Part NO.	名称 Description	数量 Qty	备注或适用车型 Remarks Or Serial NO.
32	YQXF30-2103	从动螺旋伞齿轮 Bevel gear,driven	1	3.0-3.5t 32,33 成对购买 3.0-3.5t 32,33 Paired buy
33	YQXF15-2001	主动螺旋伞齿轮 Driving bevel gear	1	1.0-1.8t 32,33 成对购买 1.0-1.8t 32,33 Paired buy
33	YQXF20-2001	主动螺旋伞齿轮 Driving bevel gear	1	2.0-2.5t 32,33 成对购买 2.0-2.5t 32,33 Paired buy
33	YQXF30-2061	主动螺旋伞齿轮 Driving bevel gear	1	3.0-3.5t 32,33 成对购买 3.0-3.5t 32,33 Paired buy
34	YQXF30-2102	螺栓 Bolt	12	
35	GB283-94-NUP2205E	轴承 NUP2205E GearNUP2205E	1	3-3.5 t
36	YQXF30-2004	调整螺母 Adjust nut	2	
37	GB91-86-8x50	开口销 8x50 Pin 8x50	2	
38	GB297-94-302015	轴承 302015 Bearing 302015	2	
39	YQXF30-2021	输入法兰 Flange	1	
40	YQXF30-2022	防尘罩 Dustproof cover	1	
41	GB5783-86-M8x20	螺栓 M8x20 Washer M8x20	4	
42	YQXF15-2002	衬套 Bush	1	1.0-1.8t
42	YQXF20-2002	衬套 Bush	1	2.0-3.5t

驱动桥密封（修理）工具包 Drive axle assy repair kits		Ⓐ CPCD30/35-XW33F Ⓓ CPYD30/35-XW22F Ⓔ CPCD30/35-XW27F Ⓖ CPCD30-XW13F ① CPQD30/35-XW10F ② CPQD30/35-XW22F		
序号 Item	物料码 Part NO.	名称 Description	数量 Qty	备注或适用车型 Remarks Or Serial NO.
1	J000982-000022-00	垫圈 22 Washer	1	图 14 驱动桥总成（序号 4） Fig.14 Drive axle assy（No.4）
2	J000982-000016-00	垫圈 16 Washer	1	图 14 驱动桥总成（序号 5） Fig.14 Drive axle assy（No.5）
3	HG40692-100014012-01	油封 SD100×140×12 Oil seal	2	图 14 驱动桥总成（序号 22） Fig.14 Drive axle assy（No.22）
4	HG40692-048006212-00	油封 PD45×62×12 Oil seal	2	图 14 驱动桥总成（序号 29） Fig.14 Drive axle assy（No.29）
5	N163-1100018-000	纸垫 Gasket	2	图 14 驱动桥总成（序号 30） Fig.14 Drive axle assy（No.30）
6	J000982-000020-00	垫圈 20 Washer	1	图 14 驱动桥总成（序号 37） Fig.14 Drive axle assy（No.37）

变速箱密封（修理）工具包 Transmission repair kits		1.0-3.5t YQXF 系列液力传动变速箱 (绍兴) 1.0-3.5t YQXF Series Hydrodynamic Transmission Gearbox (SHAOXIN)		
序号 Item	物料码 Part No.	名称 Description	数量 Qty	备注或适用车型 Remarks Or Serial No.
1	TC 42×60×9	油封 Oil seal	1	图 17 变速箱（其 1）（序号 7） Fig.17 Transmission (Part-1) (No. 7)
2	YQXF30-0003	O 型圈 O-ring	1	图 17 变速箱（其 1）（序号 10） Fig.17 Transmission (Part-1) (No. 10)
3	YQXF30-3102	密封环 Airproof ring	1	图 17 变速箱（其 1）（序号 12） Fig.17 Transmission (Part-1) (No. 12)
4	YQXF30-0203	密封封 Airproof ring	1	图 17 变速箱（其 1）（序号 21） Fig.17 Transmission (Part-1) (No. 21)
5	YQXF30-0205	油滤座纸垫 Strainer seat washer	1	图 17 变速箱（其 1）（序号 23） Fig.17 Transmission (Part-1) (No. 23)
6	YQXF30-0240	粗滤器组件 Strainer assy	1	图 17 变速箱（其 1）（序号 24） Fig.17 Transmission (Part-1) (No. 24)
7	YQX30-0300	滤油器(II) Strainer(II)	1	图 17 变速箱（其 1）（序号 31） Fig.17 Transmission (Part-1) (No. 31)
8	GB3452.1-82-21×3	O 型圈 21×3 O-ring 21×3	1	图 17 变速箱（其 1）（序号 35） Fig.17 Transmission (Part-1) (No. 35)
9	GB3452.1-82-16×2.65	O 型圈 16×2.65 O-ring 16×2.65	2	图 18 变速箱（其 2）（序号 12） Fig.18 Transmission (Part-2) (No. 12)
10	YQXF30-1009	活塞环 Piston ring	2	图 19 变速箱（其 3）（序号 7） Fig.19 Transmission (Part-3) (No. 7)
11	YQS30-1002	密封环 Airproof ring	2	图 19 变速箱（其 3）（序号 8） Fig.19 Transmission (Part-3) (No. 8)
12	YQX30-1006	密封环(A) Airproof ring(A)	5	图 19 变速箱（其 3）（序号 18） Fig.19 Transmission (Part-3) (No. 18)
13	YQXF30-0400	输出法兰油封 Output flange oil seal	1	图 19 变速箱（其 3）（序号 26） Fig.19 Transmission (Part-3) (No. 26)
14	YQXF30-0004	密封垫 Airproof Washer	1	图 20 电磁控制操纵阀（序号 25） Fig.20 Electro-hydraulic operating valve (No. 25)
15	GB1235-76-12×1.9	O 型圈 12×1.9 O-ring 12×1.9	1	图 20 电磁控制操纵阀（序号 27） Fig.20 Electro-hydraulic operating valve (No. 27)
16	YQXF30-2050	油封 Oil seal	1	图 21 减压器总成（序号 13） Fig.21 Reduction assy (No. 13)

图 22 传动系统
Fig.22 Driving system

© CPCD30/35-XW33M ① CPYD30/35-XW22M ② CPYD30/35-XW52M ③ CPQD30/35-XW22M



序号 Item	物料码 Part NO.	名称 Description	数量 Qty	备注或适用车型 Remarks Or Serial NO.
1	RM622-110000-G00	驱动桥 Drive axle	1	
2	G005786-010035-00	螺栓 M10×1.25×35 Bol M10×1.25×35	8	©
2	G005785-010035-00	螺栓 M10×1.25×35 Bol M10×1.25×35	4	① ② ③
201	G005783-010035-00	螺栓 M10×35 Bol M10×35	10	① ③ <2011-12-01 For dual fuel engine
201	G005783-010035-00	螺栓 M10×35 Bol M10×35	2	① ② ③ 双燃料叉车 For dual fuel engine ≥2011-12-01
201	G005783-010045-00	螺栓 M10×45 Bol M10×45	6	
3	G000093-000010-00	垫圈 10 Washer	8	©
3	G000093-000010-00	垫圈 10 Washer	14	① ③ <2011-12-01 For dual fuel engine
3	G000093-000010-00	垫圈 10 Washer	18	① ② ③ ≥2011-12-01 For dual fuel engine
4	RM622-120000-G00	翼形联轴器总成 Cardan assy	1	
5	RM622-130000-G00	液力变速箱 Hydraulic transmission box	1	
6	G005783-008018-00	螺栓 M8×18 Bol M8×18	12	
7	G000093-000008-00	垫圈 8 Washer 8	12	
8	N163-113000-000	轮胎总成 (单轮) Type-assy,Single tyre	2	见图 3 See Fig.3
8	N163-113000-500	轮胎总成 (双轮) Type-assy,Double tyre	2	见图 4 See Fig.4

图 22 传动系统
Fig.22 Driving system

© CPCD30/35-XW33M ⑤ CPYD30/35-XW22M ⑥ CPYD30/35-XW52M ⑦ CPQD30/35-XW22M

序号 Item	物料码 Part NO.	名称 Description	数量 Qty	备注或适用车型 Remarks Or Serial NO.
8	N163-111000-500	轮胎总成 (双轮) Type-assy,Double tyre	2	见图 4 See Fig.4
9	XM250-150000-000	变速箱安装 Gearbox install	1	包含/INC:19-27
10	G000119-012035-03	销 D12×35 Pin D12×35	2	
11	G006171-000010-01	螺母 M10×1.25 Nut M10×1.25	1	©
11	G006170-000010-00	螺母 M10 Nut M10	2	⑤ ⑦ &Dual fuel engine <2011-12-01
11	G006170-000010-00	螺母 M10 Nut M10	6	⑤ ⑥ ⑦ ≥2011-12-01 Dual fuel engine
12	XF250-110003-000	连接螺栓 Bolt	8	
13	G006171-000020-02	螺母 M20×1.5 Nut M20×1.5	8	
14	G000093-000020-00	垫圈 20 Washer 20	8	
15	XF250-110002-000	垫板 Gasket	2	
16	R564-100001-000	垫片 Washer	1	⑤ ⑦ 双燃料叉车 For dual fuel engine <2011-12-01
17	R564-100002-000	垫片 Washer	1	
18	N163-110015-000	轮毂螺母 Ball Nut	12	
19	G005782-016130-00	螺栓 M16×130 Bol M16×130	2	
20	XM250-150002-000	垫圈 Washer	2	

图 23 冷却油管总成
Fig.23 Cooling oil pipe assy

© CPCD30/35-XW33M ① CPYD30/35-XW22M ② CPYD30/35-XW52M ③ CPQD30/35-XW22M

序号 Item	物料码 Part NO.	名称 Description	数量 Qty	备注或适用车型 Remarks Or Serial NO.
1	Q672-20-G00	双钢丝式环箍 20 Clamp 20	4	
2	G005783-008016-00	螺栓 M8×16 Bolt M8×16	4	
3	G000093-000008-00	垫圈 8 Washer 8	4	
4	N160-110002-000	抱箍 Clamp	4	
5	XM250-140006-W00	胶管Φ 13L=1300 Rubber pipe	1	©
5	XM251-110004-W00	胶管Φ 13L=1700 Rubber pipe	1	① ② ③ 双燃料叉车 For dual fuel engine
6	XM250-140005-W00	胶管Φ 13L=1300 Rubber pipe	1	©
6	XM251-110002-W00	胶管Φ 13L=2000 Rubber pipe	1	① ② ③ 双燃料叉车 For dual fuel engine
7	XM250-140003-000	直通接头 Nipple	2	
8	XM250-120002-000	回油管接头 Connector	2	©
8	XM250-140001-000	弯管接头 Elbow	2	① ② ③ 双燃料叉车 For dual fuel engine

图 24 前轮（双轮）
Fig.24 Front wheel (Double tyre)

3.0t-3.5t 全部车型 All models of truck
MS 韩国变速箱 / MS Korea Gearbox

序号 Item	物料码 Part NO.	名称 Description	数量 Qty	备注或适用车型 Remarks Or Serial No.
A1	XM300-112000-500	内前轮总成(双轮) Inner front wheel assy(double)	2	INC.1,4 充气轮胎 Inflated tyre
A2	XM300-113000-500	外前轮总成(双轮) Outer front wheel assy(double)	2	INC1,2 充气轮胎 Inflated tyre
1	GT02982-000061512-00	充气轮胎 6.00-15-12PR Inflated tyre	4	充气轮胎 Inflated tyre
2	XM300-113100-500	外轮辋总成 Outer Rim-assy	2	红色Red MS 韩国变速箱
3	XM300-100002-500	隔套 Ring	2	MS 韩国变速箱
4	XM300-112100-500	内轮辋总成 Inner Rim-assy	2	红色Red MS 韩国变速箱
5	XM300-110001-500	左挡泥板 Fender Left	1	MS 韩国变速箱
	XM300-110002-500	右挡泥板 Fender Right	1	MS 韩国变速箱
6	G005783-012045-00	螺栓 M12x45 Bolt M12x45	6	
7	G000093-000012-00	垫圈 12 Washer 12	8	
8	G006170-000012-00	螺母 M12 Nut M12	6	
9	XM300-100004-500	气门接长管 Extension tube	2	充气轮胎 Inflated tyre MS 韩国变速箱
10	N163-110015-000	轮毂螺母 Nut, Hub	12	
11	G0097P1-000012-00	垫圈 12 Washer 12	2	
12	G005783-012025-00	螺栓 M12x25 Bolt M12x25	2	

