

第八部分 驾驶室目录  
Part VIII Cab system contents

| 序号<br>Item    | 名称<br>Description              | 适用车型<br>Serial No. | 页码<br>Page |
|---------------|--------------------------------|--------------------|------------|
| 图 1<br>Fig.1  | 驾驶室示意图<br>The cab schematic    | 1.0t-3.8t          | 8-1        |
| 图 2<br>Fig. 2 | 整体框架系统<br>Overall frame system | 1.0t-3.8t          | 8-2        |
| 图 3<br>Fig. 3 | 前窗系统<br>Front windows System   | 1.0t-3.8t          | 8-6        |
| 图 4<br>Fig.4  | 左侧门系统<br>Left door System      | 1.0t-3.8t          | 8-9        |
| 图 5<br>Fig.5  | 右侧门系统<br>Right door System     | 1.0t-3.8t          | 8-13       |
| 图 6<br>Fig.6  | 后窗系统<br>Rear windows System    | 1.0t-3.8t          | 8-17       |
| 图 7<br>Fig.7  | 翘板开关<br>Rocker Switches        | 1.0t-3.8t          | 8-21       |



图1 驾驶室示意图  
Fig. 1 The cab schematic

1.0t-3.8t

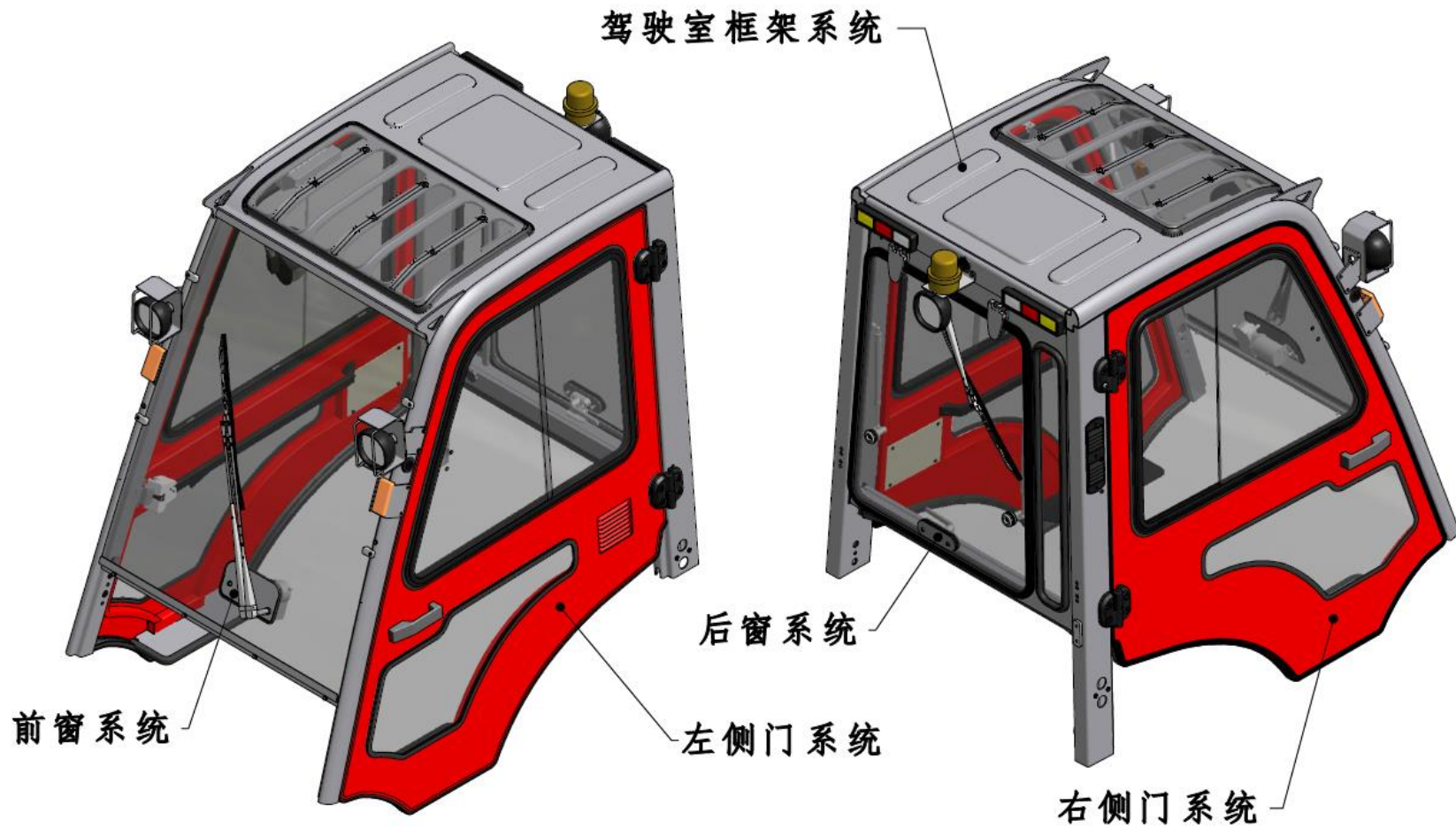


图2 整体框架系统  
Fig. 2 Overall frame system

1.0t-3.8t

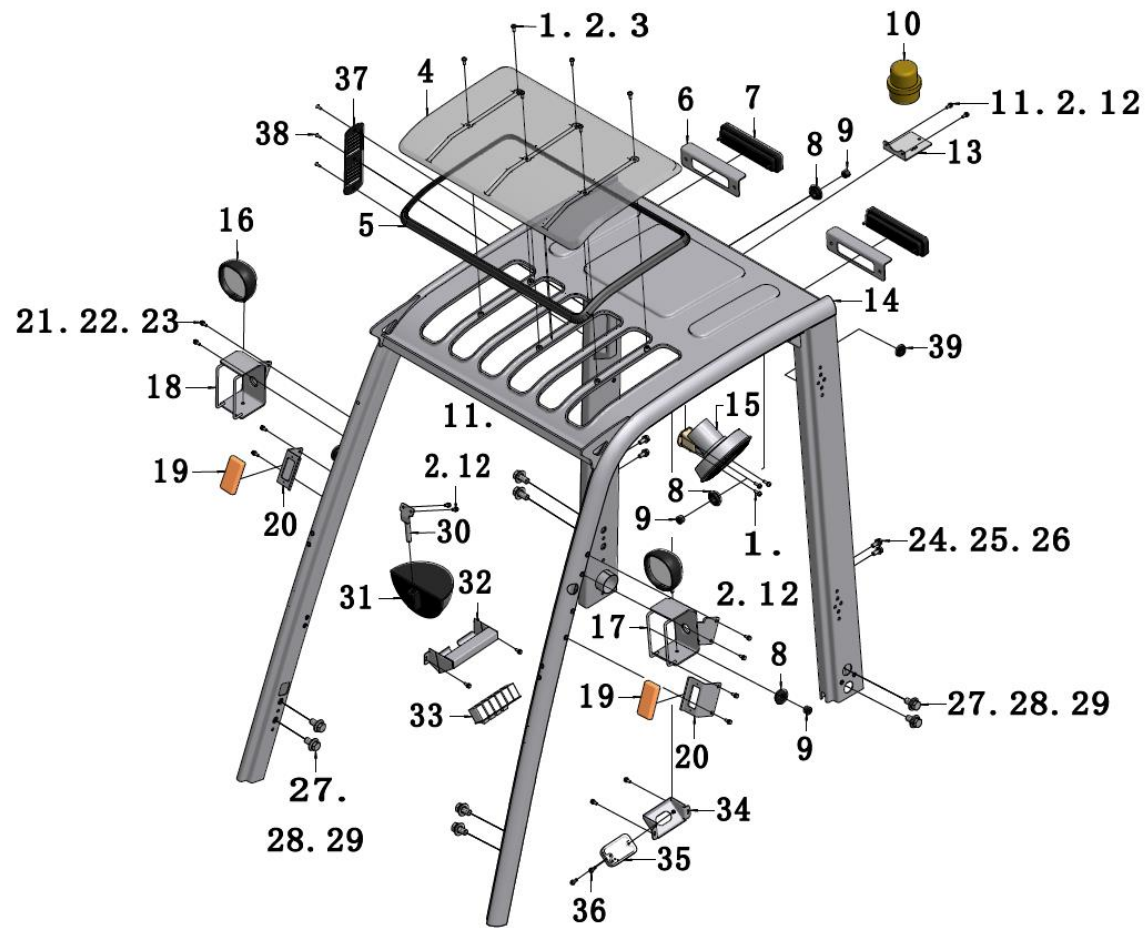


图2 整体框架系统  
Fig. 2 Overall frame system

1.0t-3.8t

| 序号<br>Item | 物料码<br>Part No. | 名称<br>Description           | 数量<br>Qty | 备注或适用车型<br>Remarks or Serial No. | 原物料码<br>Original Part No. |
|------------|-----------------|-----------------------------|-----------|----------------------------------|---------------------------|
| 1          | 300040030045    | 盘头内六角 M6×20<br>Bolt M6×20   | 11        |                                  | GT070P2-006020-03         |
| 2          | 300030010039    | 弹垫 6<br>Spring pads 6       | 15        |                                  | G000093-000006-01         |
| 3          | 300030240004    | 加大平垫 6<br>washer 6          | 8         |                                  | G000096-000006-01         |
| 4          | 2208100090009   | 天窗板<br>Sunroof sheet        | 1         |                                  | XF250-800001-000          |
| 5          | 208500040023    | 天窗板胶条 X2500<br>Rubber seal  | 1         |                                  | JXJ004-G00-3000           |
| 6          | 208102020043    | 后灯架<br>Rear lamp bracket    | 2         |                                  | R960-820004-000           |
| 7          | 207600030021    | 后组合灯<br>Rear lamps          | 2         |                                  | A300-701300-500           |
| 8          | 207900060013    | 前灯线保护套<br>Protective sleeve | 4         |                                  | RC250-700001-000          |
| 9          | 208500040034    | 灯线护套塞子<br>Plug              | 4         |                                  | RC250-700001-001          |
| 10         | 207600070001    | 警灯<br>Warning lamp          | 1         |                                  | JP150-700020-G00          |
| 11         | 300040030044    | 盘头内六角螺钉<br>M6×16            | 8         |                                  | GT070P2-006016-03         |
| 12         | 300030040032    | 平垫 6<br>washer 6            | 11        |                                  | G0097P1-000006-01         |
| 13         | 208300040310    | 警灯支架<br>Warning lamp stents | 1         |                                  | JR960-000041-000          |
| 14         | 208300070131    | 驾驶室框架<br>Cab frame          | 1         |                                  | J00XR30-110000-000        |
| 15         | 208450010010    | 风扇<br>Fan                   | 1         |                                  | JFS1203-G00               |

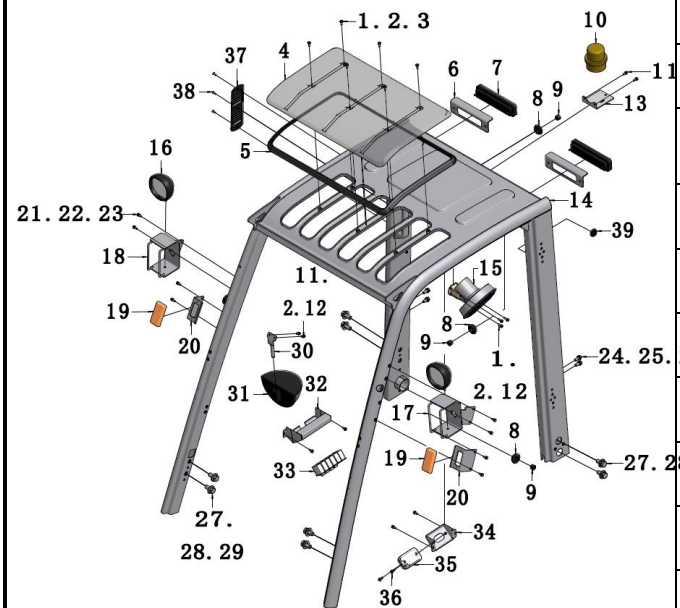


图2 整体框架系统  
Fig. 2 Overall frame system

1.0t-3.8t

| 序号<br>Item | 物料码<br>Part No. | 名称<br>Description                   | 数量<br>Qty | 备注或适用车型<br>Remarks or Serial No. | 原物料码<br>Original Part No. |
|------------|-----------------|-------------------------------------|-----------|----------------------------------|---------------------------|
| 16         | 207600010316    | 前大灯<br>Head lamp assy               | 2         |                                  | XR310-760100-000          |
| 17         | 207900210419    | 左前大灯架<br>Headlamp bracket(Left)     | 1         |                                  | XF250-761000-620          |
| 18         | 207900210412    | 右前大灯架<br>Headlamp bracket(Right)    | 1         |                                  | XF250-762000-620          |
| 19         | 207600050066    | 前小灯<br>Head little lamp             | 2         |                                  | Ra700-760200-000          |
| 20         | 207900200865    | 前小灯支架<br>Head little lamp bracket   | 2         |                                  | XF250-763000-620          |
| 21         | 300040030050    | 盘头内六角螺钉 M8x20<br>Bolt M8x20         | 8         |                                  | GT070P2-008020-03         |
| 22         | 300030010041    | 弹垫 8<br>Spring pads 8               | 8         |                                  | G000093-000008-01         |
| 23         | 300030040033    | 平垫 8<br>Washer 8                    | 8         |                                  | G0097P1-000008-01         |
| 24         | 810110000518    | 外六角螺栓 M10x25<br>Bolt M10x25         | 6         |                                  | GB/T5783-2000-<br>M10x25  |
| 25         | 300030010001    | 弹垫 10<br>Spring pads 10             | 6         |                                  | G000093-000010-00         |
| 26         | 300030020009    | 平垫 10<br>Washer 10                  | 6         |                                  | G000095-000010-00         |
| 27         | 300010040069    | 外六角螺栓 M16x35<br>Bolt M16x25         | 6         |                                  | G005783-016035-00         |
| 28         | 810110000366    | 弹垫 16<br>Spring pads 16             | 8         |                                  | GB93-87-16                |
| 29         | 300030020002    | 平垫 16<br>Washer 16                  | 8         |                                  | G000095-000016-00         |
| 30         | 208300070130    | 球面后视镜支架<br>Spherical mirror bracket | 1         |                                  | J01ME425-000300-000       |

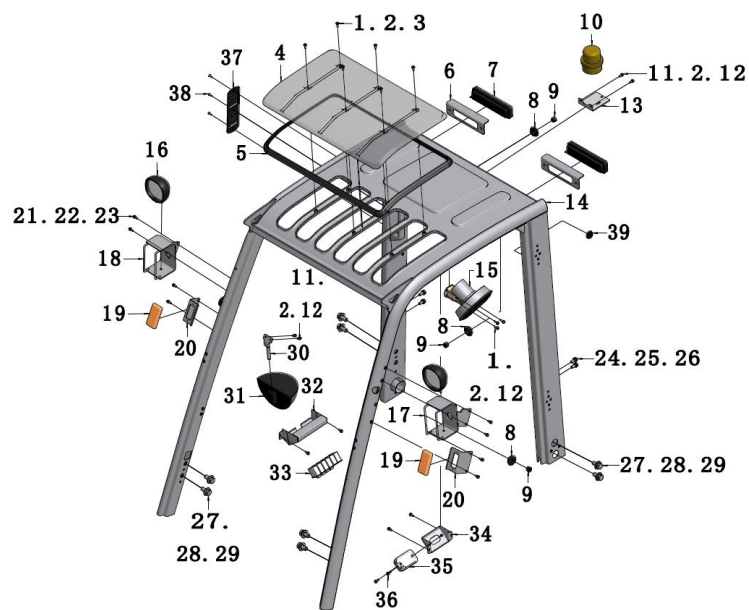
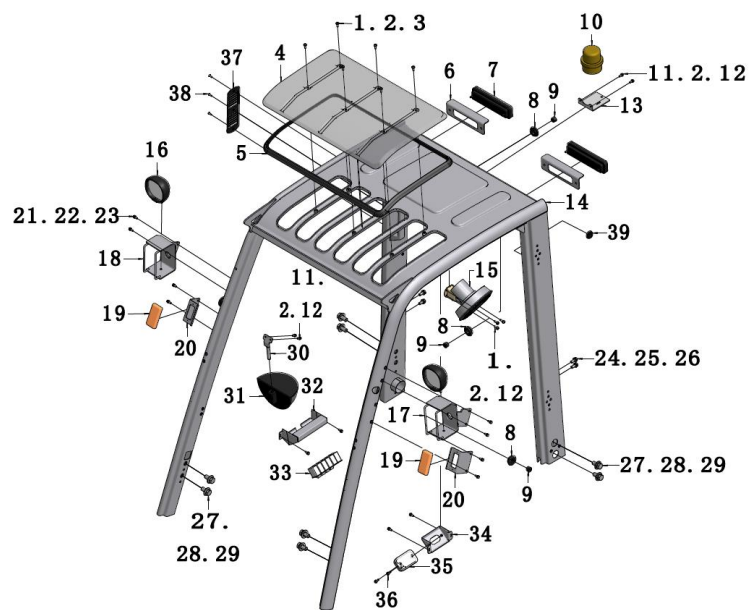


图2 整体框架系统  
Fig. 2 Overall frame system

1.0t-3.8t



| 序号<br>Item | 物料码<br>Part No. | 名称<br>Description            | 数量<br>Qty | 备注或适用车型<br>Remarks or Serial No. | 原物料码<br>Original Part No. |
|------------|-----------------|------------------------------|-----------|----------------------------------|---------------------------|
| 31         | 208100040005    | 后视镜<br>Rearview mirror       | 1         |                                  | XF250-800005-G01          |
| 32         | 208300040301    | 翘板开关盒<br>Switch seat         | 1         |                                  | J00XR30-100001-000        |
| 33         |                 | 翘板开关<br>Rocker Switches      | 1         |                                  |                           |
| 34         | 208300070124    | 顶灯支架<br>Dome light bracket   | 1         |                                  | J00XR30-000100-000        |
| 35         | 208450040002    | 顶灯<br>Dome light             | 1         |                                  | JDD1201L-G00              |
| 36         | 300040030069    | 盘头内六角螺钉 M5×30<br>Screw M5×30 | 2         |                                  | GT070P2-005030-03         |
| 37         | 208100030001    | 盖板<br>Cover plate            | 1         |                                  | N163-800001-000           |
| 38         | 300040030039    | 盘头内六角螺钉 M5×12<br>Screw M5×12 | 8         |                                  | GT070P2-005012-03         |
| 39         | 207900060011    | 前灯线护套<br>Protective sleeve   | 1         |                                  | N163-700002-000           |
|            |                 |                              |           |                                  |                           |
|            |                 |                              |           |                                  |                           |
|            |                 |                              |           |                                  |                           |
|            |                 |                              |           |                                  |                           |
|            |                 |                              |           |                                  |                           |
|            |                 |                              |           |                                  |                           |
|            |                 |                              |           |                                  |                           |

图 3 前窗系统  
Fig.3 Front windows System

1.0t-3.8t

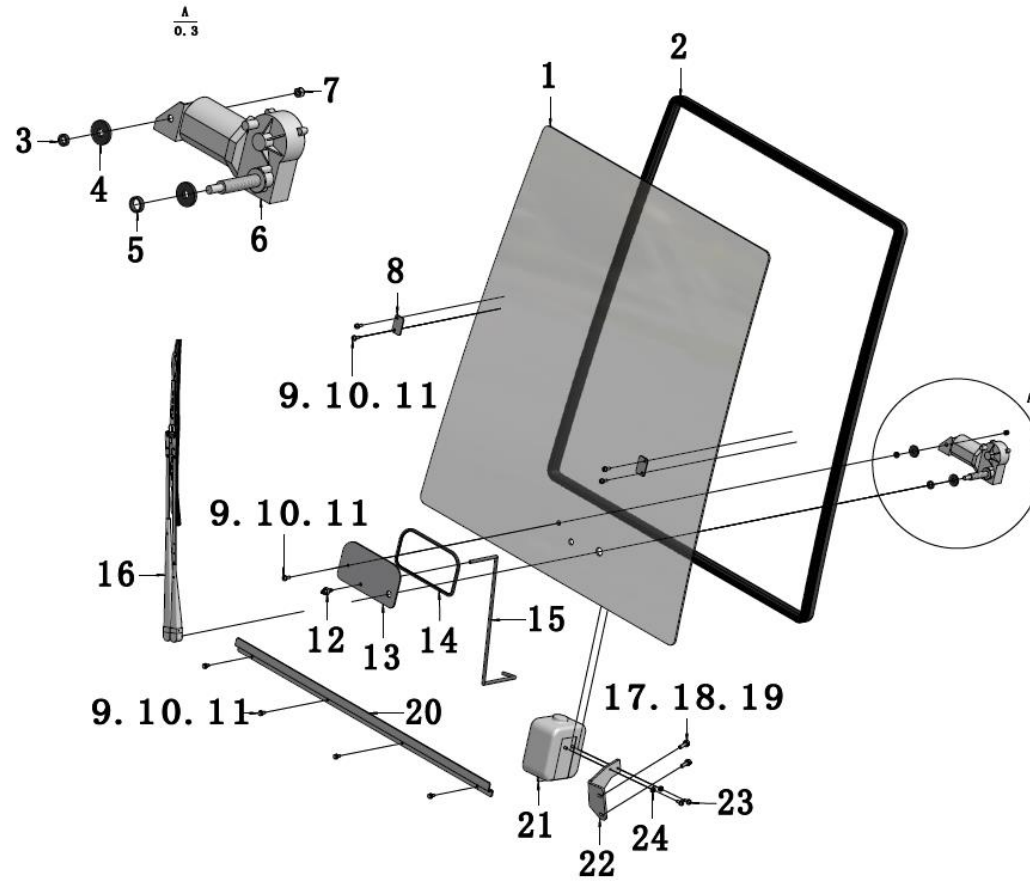
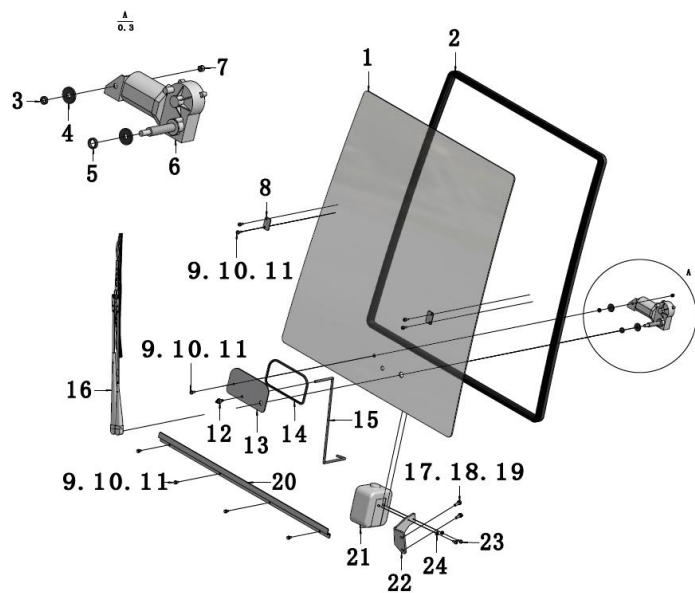




图3 前窗系统  
Fig.3 Front windows System

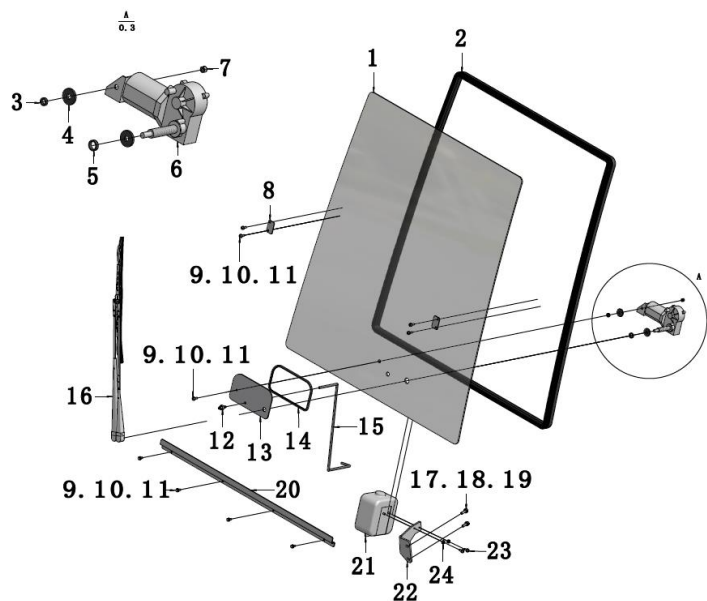
1.0t-3.8t



| 序号<br>Item | 物料码<br>Part No. | 名称<br>Description                      | 数量<br>Qty | 备注或适用车型<br>Remarks or Serial No. | 原物料码<br>Original Part No. |
|------------|-----------------|--|-----------|----------------------------------|---------------------------|
| 1          | 208550040030    | 前玻璃<br>Front windshield                | 1         |                                  | J00XR30-000001-G00        |
| 2          | 208500040033    | 前窗胶条 X4100<br>Front windows rubber pad | 1         |                                  | JXJ006-G00-4600           |
| 3          | 208500040019    | 橡胶保护套管<br>Rubber protective sleeve     | 1         |                                  | JFJ006-G00                |
| 4          | 208500030005    | 橡胶垫<br>Rubber gasket                   | 2         |                                  | JXJ016-G00                |
| 5          | 208500040017    | 橡胶保护套管<br>Rubber protective sleeve     | 1         |                                  | JFJ004-G00                |
| 6          | 208450020005    | 前雨刮电机<br>Front wiper motor             | 1         |                                  | JXF250F-001100-G00        |
| 7          | 300020310007    | 盖形螺母 M6<br>Cap nut M6                  | 1         |                                  | G000802-000006-01         |
| 8          | 208300050285    | 压紧板<br>Keep plate                      | 9         |                                  | J00XR30-000052-000        |
| 9          | 300040030045    | 内六角螺栓 M6×20<br>Bolt M6×20              | 9         |                                  | GT070P2-006020-03         |
| 10         | 300030010039    | 弹垫 6<br>Spring pads 6                  | 9         |                                  | G000093-000006-01         |
| 11         | 300030040032    | 平垫 6<br>washer 6                       | 5         |                                  | G0097P1-000006-01         |
| 12         | 208500180055    | 前喷嘴<br>water spray nozzle              | 1         |                                  | JPST-200-G00              |
| 13         | 208300050284    | 板<br>plate                             | 1         |                                  | JMI250-000005-000         |
| 14         | 208500040029    | C型胶条×620<br>C-Sealing strip            | 1         |                                  | JXJ014-G00-620            |
| 15         | 208500040020    | 喷水管<br>Water spray pipe                | 1         |                                  | JPSG-G00-1350             |

图3 前窗系统  
Fig.3 Front windows System

1.0t-3.8t



| 序号<br>Item | 物料码<br>Part No. | 名称<br>Description              | 数量<br>Qty | 备注或适用车型<br>Remarks or Serial No. | 原物料码<br>Original Part No. |
|------------|-----------------|--------------------------------|-----------|----------------------------------|---------------------------|
| 16         | 208450030006    | 雨刮器<br>Wiper                   | 1         |                                  | JMI250-001200-G00         |
| 17         | 300040030043    | 外六角螺栓 M6×12<br>Bolt M6×12      | 2         |                                  | GT070P2-006012-03         |
| 18         | 300030010045    | 弹垫 6<br>Spring pads 6          | 2         |                                  | GB / T 93 6               |
| 19         | 300030020004    | 平垫 6<br>washer 6               | 2         |                                  | G000095-000006-00         |
| 20         | 208500130150    | 下压板<br>Keep plate              | 1         |                                  | J00XR30-000050-000        |
| 21         | 208450000009    | 喷水壶<br>Watering can            | 1         |                                  | JPSH-200-G00              |
| 22         | 208300040314    | 喷水壶支架<br>Mounting plate        | 1         |                                  | J00XR30-000055-000        |
| 23         | 300040380002    | 组合螺钉 M6×16<br>Screw assy M6×16 | 2         |                                  | G9074P4-006016-00         |
| 24         | 300020080011    | 六角法兰螺母 M6<br>Nut M6            | 2         |                                  | GT61771-000006-01         |
|            |                 |                                |           |                                  |                           |
|            |                 |                                |           |                                  |                           |
|            |                 |                                |           |                                  |                           |
|            |                 |                                |           |                                  |                           |
|            |                 |                                |           |                                  |                           |
|            |                 |                                |           |                                  |                           |
|            |                 |                                |           |                                  |                           |
|            |                 |                                |           |                                  |                           |

图4 左侧门系统  
Fig.4 Left door System

1.0t-3.8t

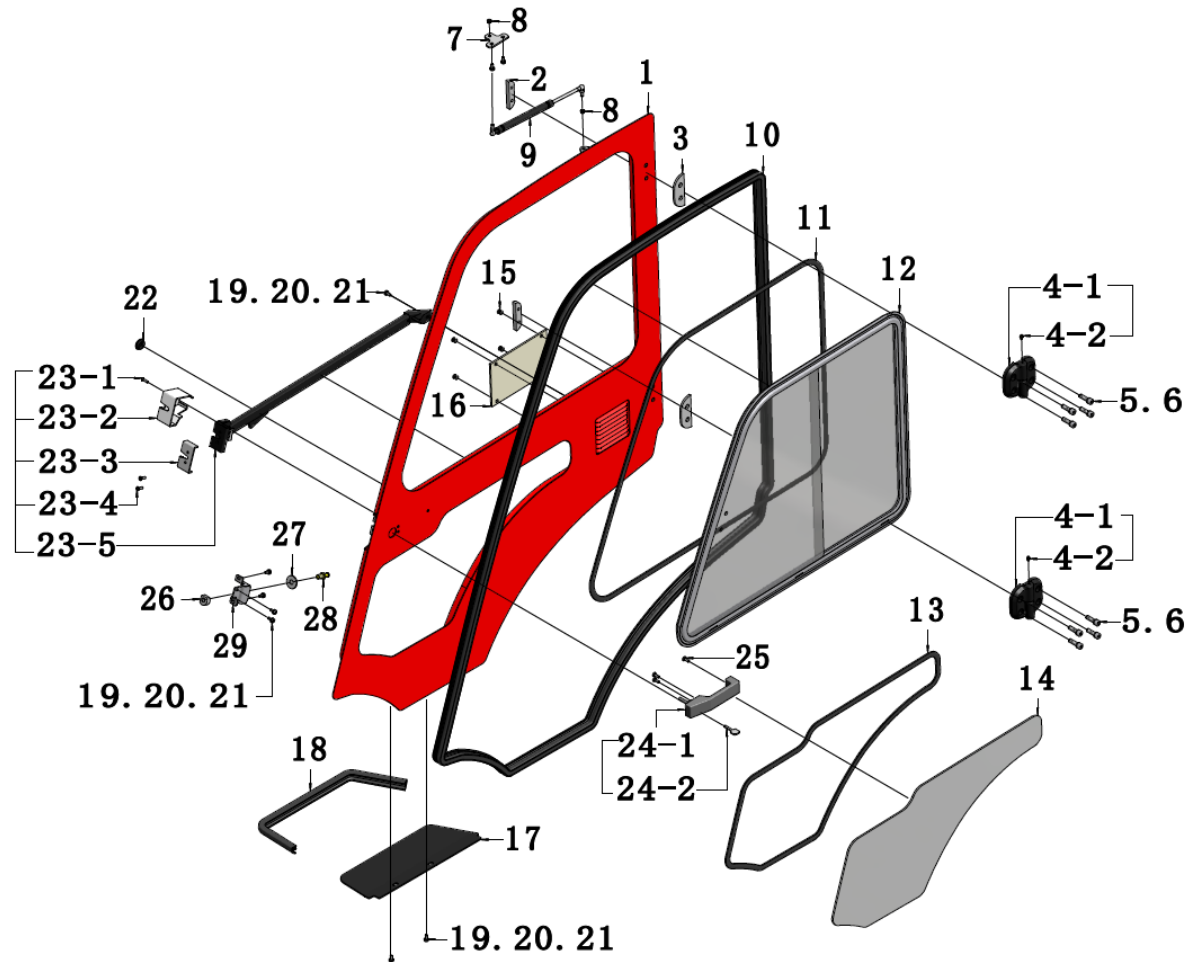
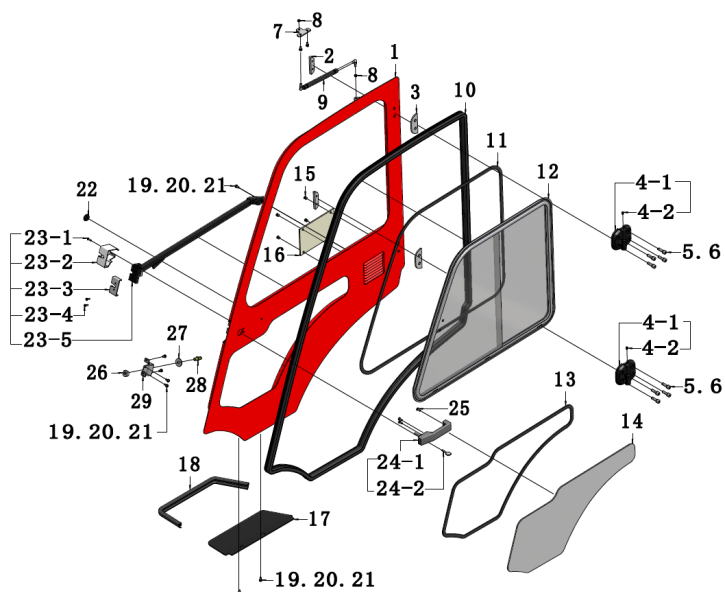


图4 左侧门系统  
Fig. 4 Left door system

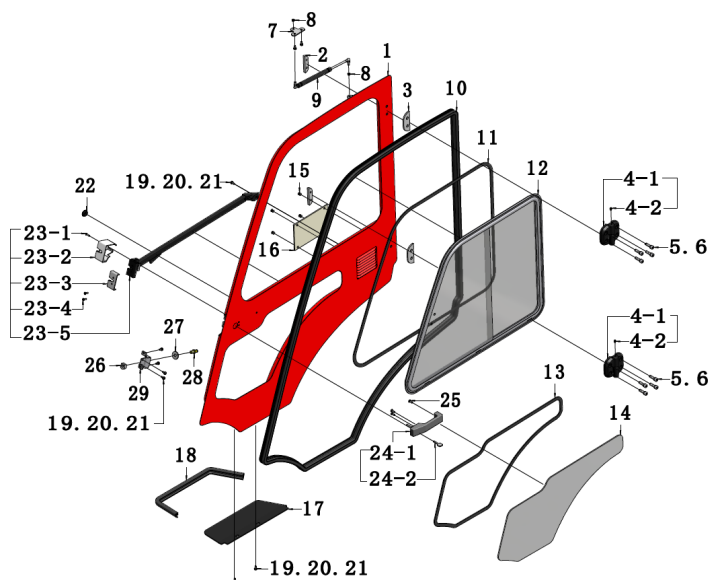
1.0t-3.8t



| 序号<br>Item | 物料码<br>Part No. | 名称<br>Description           | 数量<br>Qty | 备注或适用车型<br>Remarks or Serial No. | 原物料码<br>Original Part No. |
|------------|-----------------|-----------------------------|-----------|----------------------------------|---------------------------|
| A          | 20835000062     | 左侧门总成<br>Left door assy     | 1         |                                  | J00XR30-200000-000        |
| 1          | 208350070035    | 左前门框架<br>Left frame         | 1         |                                  | J00XR30-210000-000        |
| 2          | 208350050058    | 门垫板<br>Plate                | 2         |                                  | JR480-000001-000          |
| 3          | 208350050059    | 门垫板<br>Plate                | 2         |                                  | JXF450-200002-000         |
| 4          | 208500050032    | 左侧铰链总成<br>Left Hinge assy   | 2         |                                  | JJP300-100100-G00         |
| 4-1        |                 | 铰链块<br>Hinge piece          | 2         |                                  |                           |
| 4-2        |                 | 油嘴<br>nozzle                | 2         |                                  |                           |
| 5          | 300040020190    | 内六角螺栓 M10x30<br>Bolt M10x30 | 8         |                                  | GT070P1-010030-03         |
| 6          | 300030010043    | 弹垫 10<br>Spring pads 10     | 8         |                                  | G000093-000010-01         |
| 7          | 208300050274    | 门气弹簧板<br>Gas spring board   | 1         |                                  | J00RTE35-000055-000       |
| 8          | 300020080012    | 六角法兰螺母 M8<br>Nut M8         | 2         |                                  | GT61771-000008-01         |
| 9          | 208500080015    | 门气弹簧<br>Air spring          | 1         |                                  | YQL435-170-180N           |
| 10         | 208500040035    | 门边胶条 X4900<br>Seal rubber   | 1         |                                  | JXJ006-G00-5000           |
| 11         | 208500100026    | 铝窗胶条 X3100<br>Seal rubber   | 1         |                                  | JXJ002-G00-3500           |

图4 左侧门系统  
Fig. 4 Left door system

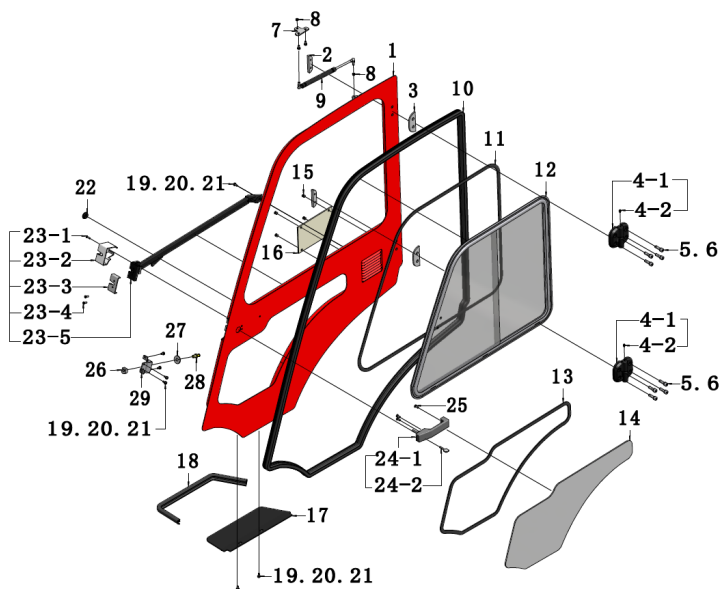
1.0t-3.8t



| 序号<br>Item | 物料码<br>Part No. | 名称<br>Description          | 数量<br>Qty | 备注或适用车型<br>Remarks or Serial No. | 原物料码<br>Original Part No. |
|------------|-----------------|----------------------------|-----------|----------------------------------|---------------------------|
| 12         | 208550010009    | 左铝窗<br>Left Al windows     | 1         |                                  | J00XR30-220000-G00        |
| 13         | 208500040022    | 门下胶条 X2200<br>Strip        | 1         |                                  | JXJ002-G00-3200           |
| 14         | 208550040033    | 左门下玻璃<br>Glass             | 1         |                                  | J00XR30-000006-G00        |
| 15         | 208500020005    | 装饰扣<br>Decorative buckle   | 4         |                                  | JFL01-002-G00             |
| 16         | 208600010002    | 左门内饰<br>Decorative plate   | 1         |                                  | J00XR30-800030-G00        |
| 17         | 208350040089    | 左侧踏板<br>Left pedal         | 1         |                                  | J00XR30-200001-000        |
| 18         | 208500040031    | 踏板胶条 X700<br>Seal rubber   | 1         |                                  | JXJ006-G00-700            |
| 19         | 300040030044    | 盘头内六角 M6×16<br>Bolt M6×16  | 7         |                                  | GT070P2-006016-03         |
| 20         | 300030010039    | 弹垫 6<br>Spring pads 6      | 7         |                                  | G000093-000006-01         |
| 21         | 300030240004    | 加大平垫 6<br>washer 6         | 7         |                                  | G000096-000006-01         |
| 22         | 208100050016    | 橡胶塞<br>Rubber plug         | 1         |                                  | AP250-300002-000          |
| 23         | 208500070057    | 左车锁总成<br>Lock assy, Left   | 1         |                                  | JMS-062-G00               |
| 23-1       |                 | 沉头内六角 M5X25<br>Screw M5×25 | 1         |                                  |                           |
| 23-2       |                 | 左塑料锁壳<br>Lock case, Left   | 1         |                                  |                           |

图4 左侧门系统  
Fig. 4 Left door system

1.0t-3.8t



| 序号<br>Item | 物料码<br>Part No. | 名称<br>Description          | 数量<br>Qty | 备注或适用车型<br>Remarks or Serial No. | 原物料码<br>Original Part No. |
|------------|-----------------|----------------------------|-----------|----------------------------------|---------------------------|
| 23-3       |                 | 锁内压板<br>Lock the platen    | 1         |                                  |                           |
| 23-4       |                 | 沉头内六角 M6X25<br>Screw M6x25 | 2         |                                  |                           |
| 23-5       |                 | 左车锁<br>Left lock           | 1         |                                  |                           |
| 24         | 208500070062    | 锁把<br>Door knob            | 1         |                                  | JMS-0011-G00              |
| 24-1       |                 | 门锁把手<br>knob               | 1         |                                  |                           |
| 24-2       |                 | 门锁钥匙<br>Key                | 1         |                                  |                           |
| 25         | 300040030043    | 盘头内六角 M6x12<br>Screw M6x12 | 8         |                                  | GT070P2-006012-03         |
| 26         | 310020060007    | 锁紧螺母<br>Lock nut           | 1         |                                  | 14RH-210002               |
| 27         | 300030020001    | 垫片 12<br>Washer 12         | 1         |                                  | G000095-000012-00         |
| 28         | 208500070056    | 锁柱<br>Occlusion            | 1         |                                  | JMS-0013-G00              |
| 29         | 208300040307    | 锁座板<br>Locking seat        | 1         |                                  | J00XR30-000051-000        |
|            |                 |                            |           |                                  |                           |
|            |                 |                            |           |                                  |                           |
|            |                 |                            |           |                                  |                           |

图5 右侧门系统  
Fig.5 Right door System

1.0t-3.8t

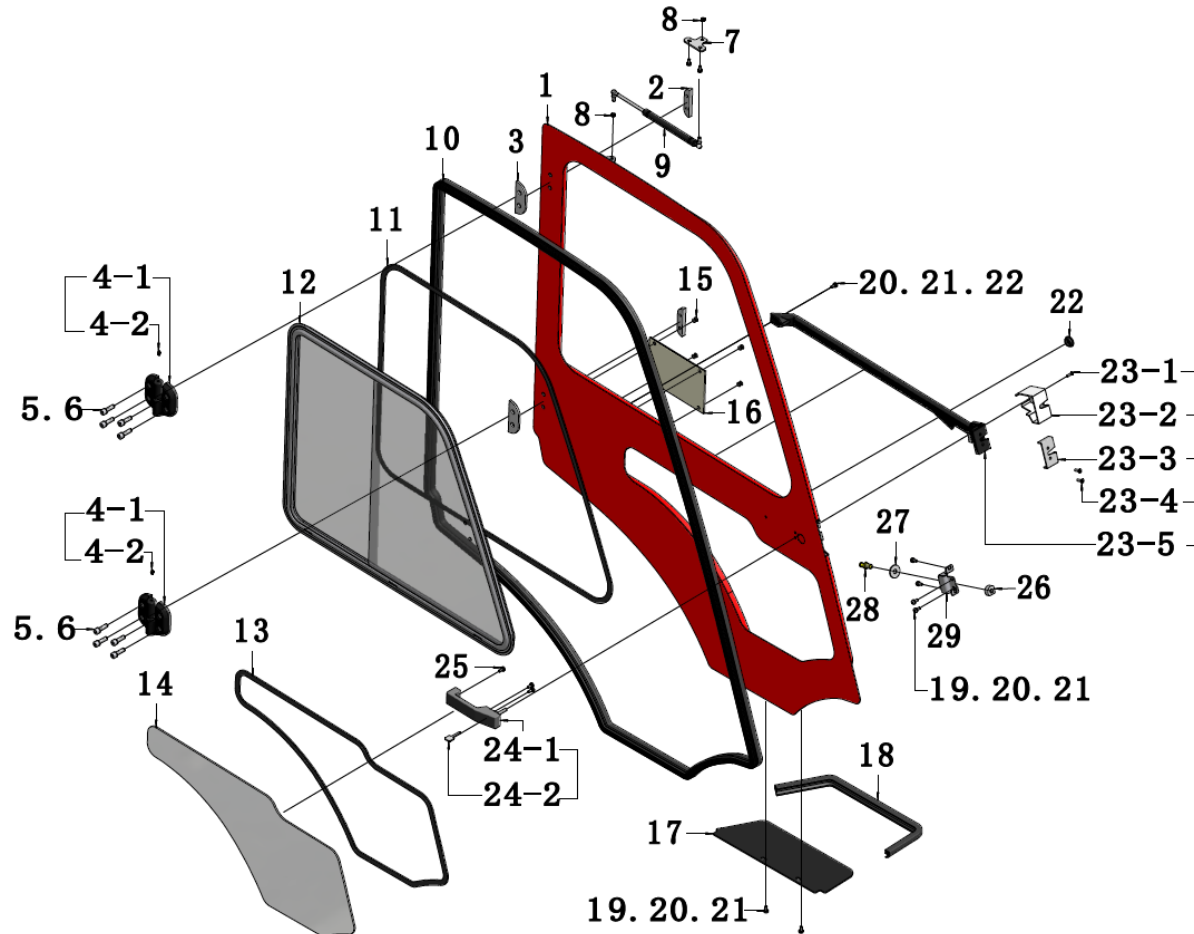
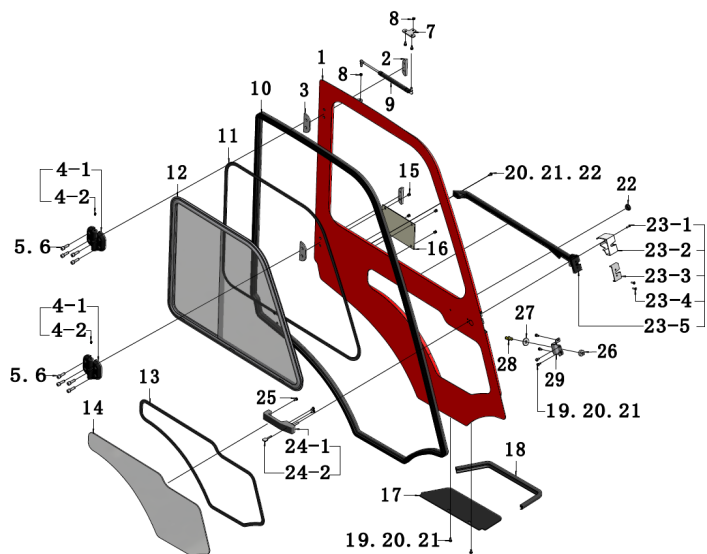


图5 右侧门系统  
Fig.5 Right door System

1.0t-3.8t

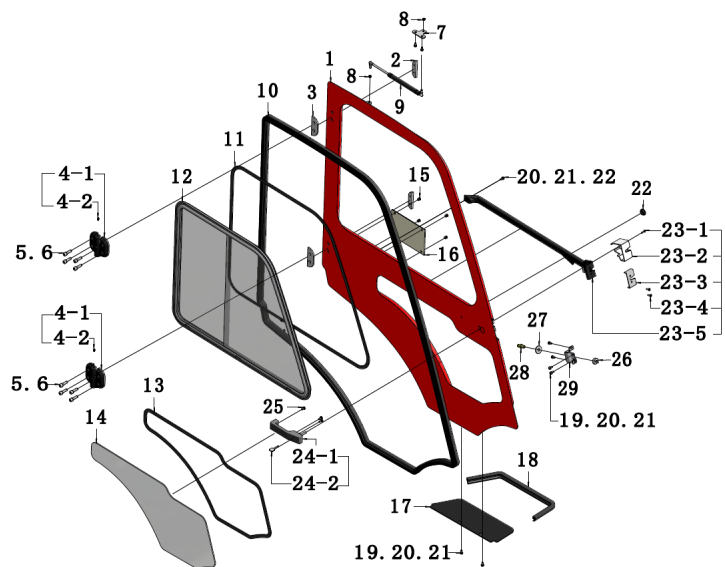


| 序号<br>Item | 物料码<br>Part No. | 名称<br>Description           | 数量<br>Qty | 备注或适用车型<br>Remarks or Serial No. | 原物料码<br>Original Part No. |
|------------|-----------------|-----------------------------|-----------|----------------------------------|---------------------------|
| A          | 208350000063    | 右侧门总成<br>Right door assy    | 1         |                                  | J00XR30-300000-000        |
| 1          | 208350070034    | 右前门框架<br>Right frame        | 1         |                                  | J00XR30-310000-000        |
| 2          | 208350050058    | 门垫板<br>Plate                | 2         |                                  | JR480-000001-000          |
| 3          | 208350050059    | 门垫板<br>Plate                | 2         |                                  | JXF450-200002-000         |
| 4          | 208500050033    | 右侧铰链总成<br>Right Hinge assy  | 2         |                                  | JJP300-100200-G00         |
| 4-1        |                 | 铰链块<br>Hinge piece          | 2         |                                  |                           |
| 4-2        |                 | 油嘴<br>nozzle                | 2         |                                  |                           |
| 5          | 300040020190    | 内六角螺栓 M10x30<br>Bolt M10x30 | 8         |                                  | GT070P1-010030-03         |
| 6          | 300030010043    | 弹垫 10<br>Spring pads 10     | 8         |                                  | G000093-000010-01         |
| 7          | 208300050274    | 门气弹簧板<br>Gas spring board   | 1         |                                  | J00RTE35-000055-000       |
| 8          | 300020080012    | 六角法兰螺母 M8<br>Nut M8         | 2         |                                  | GT61771-000008-01         |
| 9          | 208500080015    | 门气弹簧<br>Air spring          | 1         |                                  | YQL435-170-180N           |
| 10         | 208500040028    | 门边胶条 X4900<br>Seal rubber   | 1         |                                  | JXJ006-G00-5001           |
| 11         | 208500100026    | 铝窗胶条 X3100<br>Seal rubber   | 1         |                                  | JXJ002-G00-3500           |



图5 右侧门系统  
Fig.5 Right door System

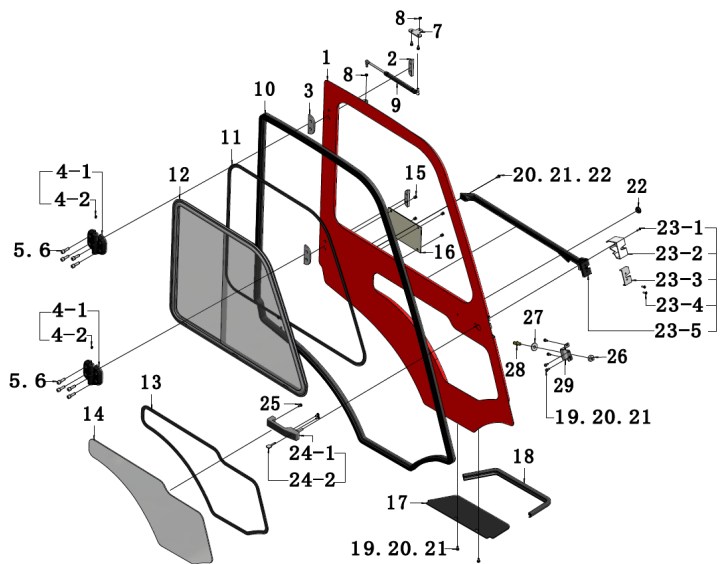
1.0t-3.8t



| 序号<br>Item | 物料码<br>Part No. | 名称<br>Description          | 数量<br>Qty | 备注或适用车型<br>Remarks or Serial No. | 原物料码<br>Original Part No. |
|------------|-----------------|----------------------------|-----------|----------------------------------|---------------------------|
| 12         | 208550010010    | 右铝窗<br>Right Al windows    | 1         |                                  | J00XR30-320000-G00        |
| 13         | 208500040022    | 门下胶条 X2200<br>Strip        | 1         |                                  | JXJ002-G00-3200           |
| 14         | 208550040034    | 右门下玻璃<br>Glass             | 1         |                                  | J00XR30-000007-G00        |
| 15         | 208500020005    | 装饰扣<br>Decorative buckle   | 4         |                                  | JFL01-002-G00             |
| 16         | 208600010003    | 右门内饰<br>Decorative plate   | 1         |                                  | J00XR30-800040-G00        |
| 17         | 208350040087    | 右侧踏板<br>Right pedal        | 1         |                                  | J00XR30-300001-000        |
| 18         | 208500040032    | 踏板胶条 X700<br>Seal rubber   | 1         |                                  | JXJ006-G00-701            |
| 19         | 300040030044    | 盘头内六角 M6×16<br>Bolt M6×16  | 7         |                                  | GT070P2-006016-03         |
| 20         | 300030010039    | 弹垫 6<br>Spring pads 6      | 7         |                                  | G000093-000006-01         |
| 21         | 300030240004    | 加大平垫 6<br>washer 6         | 7         |                                  | G000096-000006-01         |
| 22         | 208100050016    | 橡胶塞<br>Rubber plug         | 1         |                                  | AP250-300002-000          |
| 23         | 208500070058    | 右车锁总成<br>Lock assy,Right   | 1         |                                  | JMS-063-G00               |
| 23-1       |                 | 沉头内六角 M5X25<br>Screw M5×25 | 1         |                                  |                           |
| 23-2       |                 | 右塑料锁壳<br>Lock case,Right   | 1         |                                  |                           |

图5 右侧门系统  
Fig.5 Right door System

1.0t-3.8t



| 序号<br>Item | 物料码<br>Part No. | 名称<br>Description          | 数量<br>Qty | 备注或适用车型<br>Remarks or Serial No. | 原物料码<br>Original Part No. |
|------------|-----------------|----------------------------|-----------|----------------------------------|---------------------------|
| 23-3       |                 | 锁内压板<br>Lock the platen    | 1         |                                  |                           |
| 23-4       |                 | 沉头内六角 M6X25<br>Screw M6x25 | 2         |                                  |                           |
| 23-5       |                 | 右车锁<br>Right lock          | 1         |                                  |                           |
| 24         | 208500070062    | 锁把<br>Door knob            | 1         |                                  | JMS-0011-G00              |
| 24-1       |                 | 门锁把手<br>knob               | 1         |                                  |                           |
| 24-2       |                 | 门锁钥匙<br>Key                | 1         |                                  |                           |
| 25         | 300040030043    | 盘头内六角 M6x12<br>Screw M6x12 | 3         |                                  | GT070P2-006012-03         |
| 26         | 310020060007    | 锁紧螺母<br>Lock nut           | 1         |                                  | 14RH-210002               |
| 27         | 300030020001    | 垫片 12<br>Washer 12         | 1         |                                  | G000095-000012-00         |
| 28         | 208500070056    | 锁柱<br>Occlusion            | 1         |                                  | JMS-0013-G00              |
| 29         | 208300040307    | 锁座板<br>Locking seat        | 1         |                                  | J00XR30-000051-000        |
|            |                 |                            |           |                                  |                           |
|            |                 |                            |           |                                  |                           |
|            |                 |                            |           |                                  |                           |

图6 后窗系统  
Fig.6 Rear windows System

1.0t-3.8t

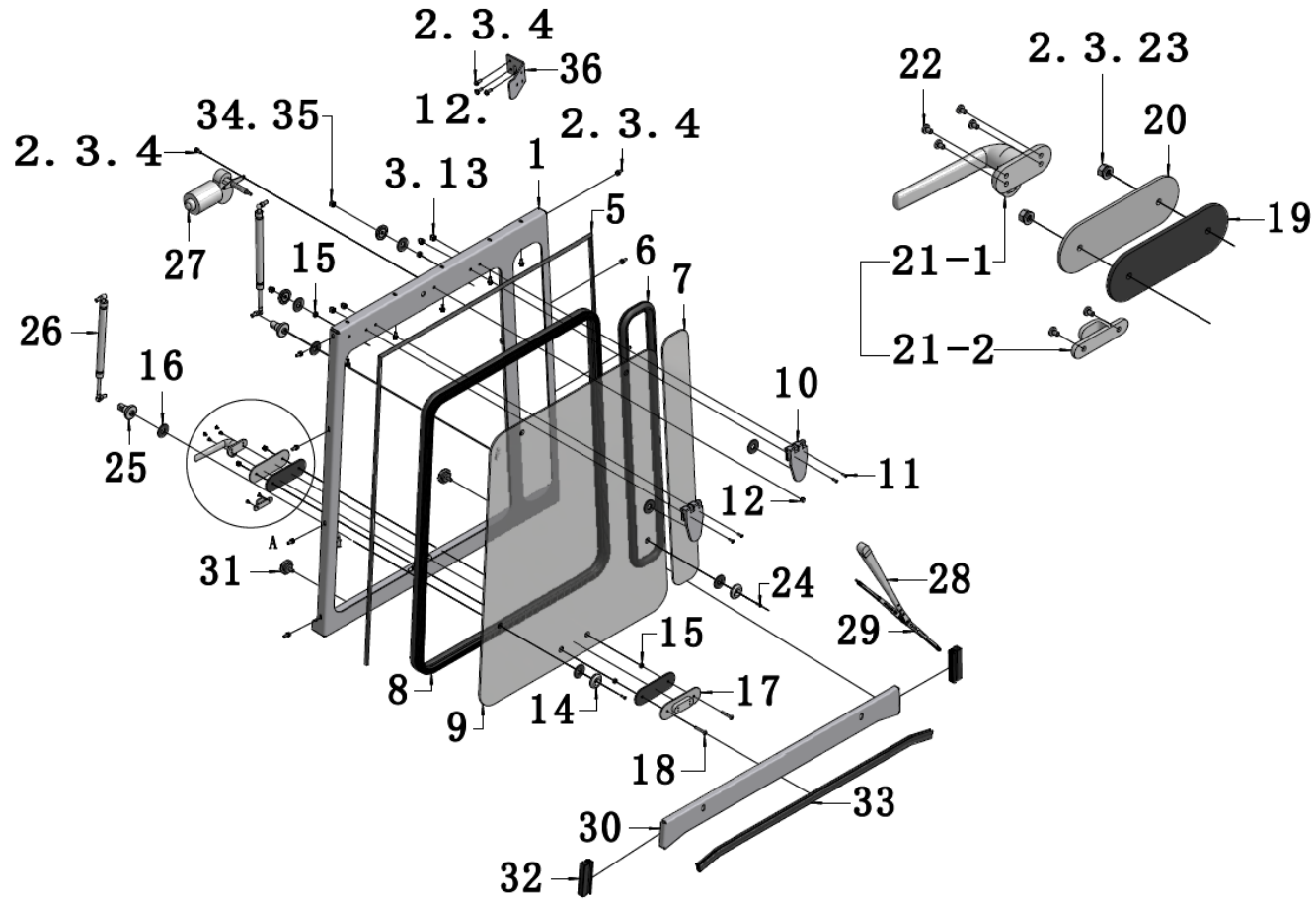
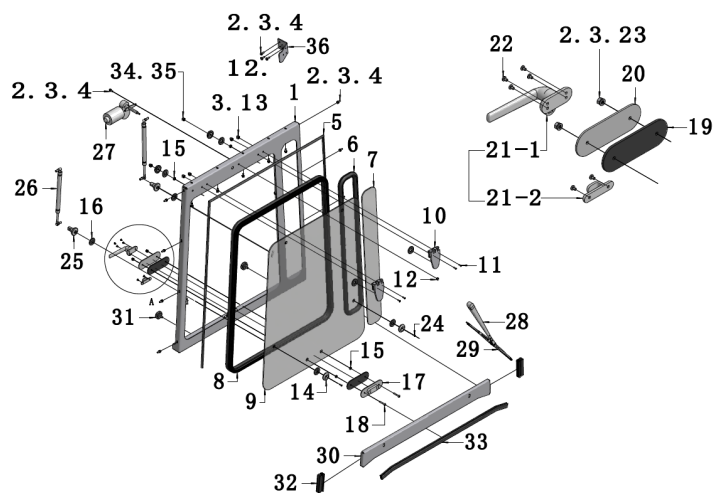


图 6 后窗系统  
Fig.6 Rear windows System

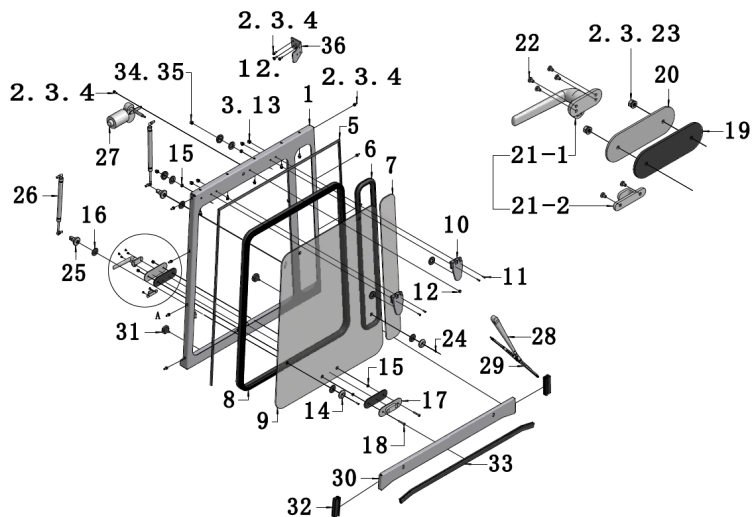
1.0t-3.8t



| 序号<br>Item | 物料码<br>Part No. | 名称<br>Description           | 数量<br>Qty | 备注或适用车型<br>Remarks or Serial No. | 原物料码<br>Original Part No. |
|------------|-----------------|-----------------------------|-----------|----------------------------------|---------------------------|
| 1          | 208400070011    | 后窗框架<br>Windows frames,Rear | 1         |                                  | J00XR30-410000-000        |
| 2          | 300040030044    | 盘头内六角 M6×16<br>Bolt M6×16   |           |                                  | GT070P2-006016-03         |
| 3          | 300030010039    | 弹垫 6<br>Spring pads 6       |           |                                  | G000093-000006-01         |
| 4          | 300030040032    | 平垫 6<br>washer 6            |           |                                  | G0097P1-000006-01         |
| 5          | 208500040030    | 防水绒条 X2800<br>Sealing strip | 1         |                                  | JXJ018-G00-3000           |
| 6          | 208500040021    | 立玻胶条 X1900<br>Sealing strip | 1         |                                  | JXJ002-G00-2500           |
| 7          | 208550040032    | 后立玻璃<br>Small glass, After  | 1         |                                  | J00XR30-000004-G00        |
| 8          | 208500040025    | 后窗胶条 X3100<br>Sealing strip | 1         |                                  | JXJ005-G00-3500           |
| 9          | 208550040031    | 后玻璃<br>After windshield     | 1         |                                  | J00XR30-000002-G00        |
| 10         | 208500050031    | 后窗铰链<br>Hinge, Rear windows | 2         |                                  | JCJL-010-G00              |
| 11         | 300040040027    | 螺钉 M6×20<br>Screw M6×20     | 4         |                                  | GT070P3-006020-02         |
| 12         | 300020310007    | 盖型螺母 M6<br>Cap Nut M6       | 5         |                                  | G000802-000006-01         |
| 13         | 300030240004    | 加大垫片 6<br>Washer 6          | 1         |                                  | G000096-000006-01         |
| 14         | 208400060003    | 压紧盖<br>Clamping cap         | 4         |                                  | JR960-000039-000          |
| 15         | 208500040018    | 橡胶保护套管<br>Protective sleeve | 6         |                                  | JFJ005-G00                |

图 6 后窗系统  
Fig.6 Rear windows System

1.0t-3.8t



| 序号<br>Item | 物料码<br>Part No. | 名称<br>Description                | 数量<br>Qty | 备注或适用车型<br>Remarks or Serial No. | 原物料码<br>Original Part No. |
|------------|-----------------|----------------------------------|-----------|----------------------------------|---------------------------|
| 16         | 208500030005    | 橡胶垫圈<br>Rubber gasket            | 8         |                                  | JXJ016-G00                |
| 17         | 208400050019    | 垫板<br>Plate                      | 1         |                                  | JR960-000020-000          |
| 18         | 300040030047    | 盘头内六角 M6x30<br>Screw M6x30       | 2         |                                  | GT070P2-006030-03         |
| 19         | 208500100025    | 橡胶垫<br>Rubber gasket             | 2         |                                  | JR960-000019-000          |
| 20         | 208400070014    | 后窗把手座<br>Armrest base            | 1         |                                  | JR960-004000-000          |
| 21         | 208500070055    | 后窗锁<br>Bock                      | 1         |                                  | JCS-003-G00               |
| 21-1       |                 | 后把手<br>Bock                      | 1         |                                  |                           |
| 21-2       |                 | 后把手座<br>Rear handle              | 1         |                                  |                           |
| 22         | 300040030037    | 十字盘头螺钉 M4x8<br>Screw M4x8        | 6         |                                  | GT070P2-004008-03         |
| 23         | 300020010051    | 螺母 M6<br>Nut M6                  | 2         |                                  | G006170-000006-02         |
| 24         | 300040040030    | 沉头内六角螺钉 M8x25<br>Screw M8x25     | 2         |                                  | GT070P3-008025-02         |
| 25         | 208400060004    | 气弹簧连接件<br>Air Spring Connections | 2         |                                  | JR960-000040-000          |
| 26         | 208500080014    | 后窗气弹簧<br>Spring                  | 1         |                                  | YQL435-170-100N           |
| 27         | 208450020004    | 后雨刮电机<br>Wiper motor             | 1         |                                  | JXF250-002100-G00         |
| 28         | 208450030007    | 雨刮杆<br>Wiper rod                 | 1         |                                  | JR480A-002200-G00         |



