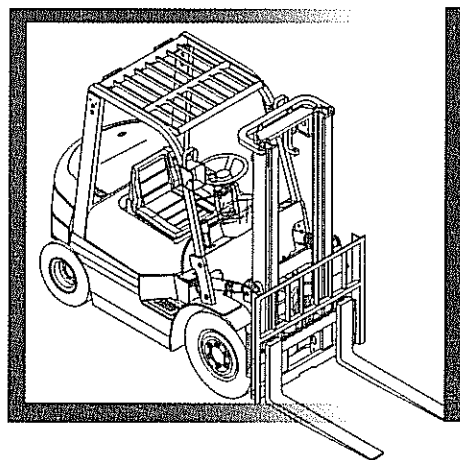


**h2000**  
SERIES



# 零件目录

## parts manual

H2000 系列 4-5t

内燃平衡重式叉车

Balanceweight Type  
Forklift Truck With Engine



零件目录  
**parts manual**

**h2000**  
SERIES **4-5t**

内燃平衡重式叉车  
Balanceweight Type  
Forklift Truck With Engine

---

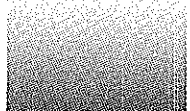
1. The first part of the document discusses the importance of maintaining accurate records of all transactions and activities. It emphasizes the need for transparency and accountability in financial reporting.

2. The second part of the document outlines the various methods and techniques used to collect and analyze data. It highlights the importance of using reliable sources and ensuring the accuracy of the information gathered.

3. The third part of the document focuses on the interpretation and analysis of the collected data. It discusses the various statistical tools and methods used to identify trends and patterns in the data.

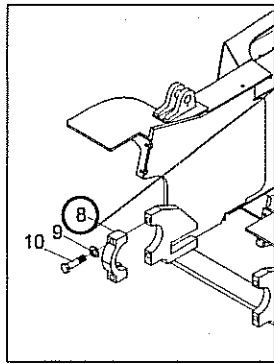
4. The fourth part of the document provides a detailed overview of the findings and conclusions drawn from the analysis. It discusses the implications of the results and offers recommendations for future research and action.

**HELI**

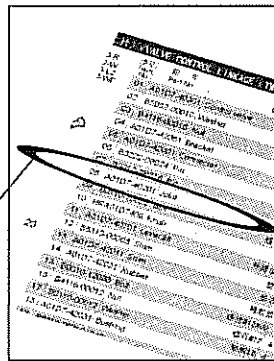


查询方法

- 步骤一：在检索目录中找到系统或总成所在页次，并翻至所标页次，找到该图；
- 步骤二：在其图中找出所需零部件，以及它所标注的序号；
- 步骤三：根据这个序号，在其后附表中可以查到系统或零件的详细信息。



每一个零部件都有唯一的序号



序号及该系统或总成的全部信息

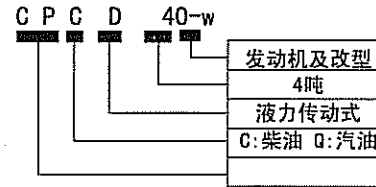
订购零部件时，务请写清叉车的型号、出厂编号、所需零部件的图号及订购数量。

在维修时，请使用正规渠道提供的本公司零部件，以确保叉车质量。

恕不能将本产品可能进行的零部件改进在本图册中同时修改，您可以从本公司的销售和配件公司获得最新资料。

叉车型号说明

缩写说明



ASS'Y	总成
R. H.	右
L. H.	左
H. P.	高压
L. P.	低压

具体车型与发动机的对应关系：

车型	发动机
CPQD40~50-R	TB42G
GPCD40~50-W	A-6BG1QC-05
CPCD40~50-L2	LR4105G4H
CPCD40~50-WF	R4105G25
CPC40-C	CY4102BG-C1

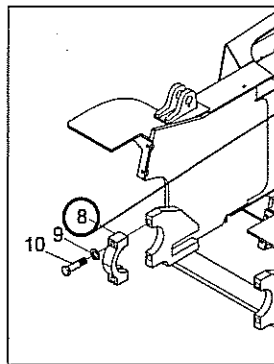
## THIS PARTS CATELOGUE COVERS PARTS IN THE MOST OF 4 TO 5 TON FORKLIFT TRUCKS IN H2000 SERIES

### Indexing Way

Step1: Finding out the page for the system or assembly required from the indexing contents and turn to the required page, finding out the concerned drawing;

Step2: From the detail drawing, finding out the parts and their item numbers.

Step3: According to these item numbers, find out details of these parts of the system or assembly from attached table.



Every part or componet in the drawing is expressed with only item number

ITEM NO.	PART NO.	DESCRIPTION
8	1000000000	WHEEL ASSEMBLY
9	1000000000	WHEEL ASSEMBLY
10	1000000000	WHEEL ASSEMBLY

According to these item numbers, find out details of these parts or the system from attached

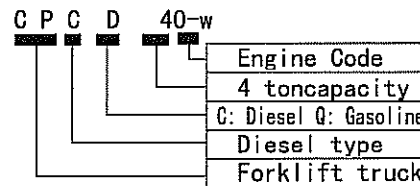
When ordering the parts or components, please indicate the model and series number of the your forklift truck, the drawing number of parts or components you require and their quantity.

When you replace parts or components, please apply the real goods made by our company to ensure the truck's quality.

we reserve modification right without notice

Designations in the CATALOGUE

Abbreviations in the CATALOGUE



ASS'Y assembly  
R.H right hand  
L.H left hand  
H.P. High pressure  
L.P. low pressure

The following trucks are provided with corresponding engine

SERIES	ENGINE
CPQD40~50-R	TB42G
CPCD40~50-W	A-6BG1QC-05
CPCD40~50-L2	LR4105G4H
CPCD40~50-WF	R4105G25
CPC40-C	CY4102BG-C1

# 目录 INDEX

	A1图1 发动机(汽油机 TB42G) .....	1	A1Fig.1 Engine(Gasoline TB42G)
	A2图2 发动机(柴油机 A-6BG1QC-05) .....	2	A2Fig.2 Engine(Diesel A-6BG1QC-05)
	A3图3 发动机(柴油机 LR4105G4H) .....	3	A3Fig.3 Engine(Diesel LR4105G4H)
	A4图4 发动机(柴油机 R4105G25) .....	4	A4Fig.4 Engine(Diesel R4105G25)
	A5图5 发动机(柴油机 CY4102BG-C1) .....	5	A5Fig.5 Engine(Diesel CY4102BG-C1)
	A6图6 空滤器安装(汽油机 TB42G) .....	6	A6Fig.6 Air Cleaner(Gasoline TB42G)
	A7图7 空滤器安装(柴油机 A-6BG1QC-05) .....	7	A7Fig.7 Air Cleaner(Diesel A-6BG1QC-05)
	A8图8 空滤器安装(柴油机 LR4105G4H) .....	8	A8Fig.8 Air Cleaner(Diesel LR4105G4H)
	A9图9 空滤器安装(柴油机 CY4102BG-C1) .....	9	A9Fig.9 Air Cleaner(Diesel CY4102BG-C1)
	A10图10 空滤器安装(柴油机 R4105G25) .....	10	A10Fig.10 Air Cleaner(Diesel R4105G25)
动	A11图11 冷却系统(汽油机 TB42G) .....	11	A11Fig.11 Cooling System(Gasoline TB42G)
力	A12图12 冷却系统(柴油机 A-6BG1QC-05) .....	12	A12Fig.12 Cooling System(Diesel A-6BG1QC-05)
	A13图13 冷却系统(柴油机 LR4105G4H、R4105G25) .....	13	A13Fig.13 Cooling System(Diesel LR4105G4H、R4105G25)
	A14图14 冷却系统(柴油机 CPC40-C) .....	14	A14Fig.14 Cooling System(Diesel CPC40-C)
	A15图15 排气系统(柴油机 A-6BG1QC-05) .....	15	A15Fig.15 Exhaust System(Diesel A-6BG1QC-05)
	A16图16 排气系统(汽油机TB42G) .....	16	A16Fig.16 Exhaust System(Gasoline TB42G)
	A17图17 排气系统(柴油机R4105G25) .....	17	A17Fig.17 Exhaust System(Diesel R4105G25)
	A18图18 排气系统(柴油机 LR4105G4H) .....	18	A18Fig.18 Exhaust System(Diesel LR4105G4H)
	A19图19 排气系统(柴油机 CY4102BG-C1) .....	19	A19Fig.19 Exhaust System(Diesel CY4102BG-C1)
	A20图20 燃油系统(汽油机) .....	20	A20Fig.20 Fuel System(Gasoline)
	A21图21 燃油系统(柴油机) .....	21	A21Fig.21 Fuel System(Diesel)

MOTOR

Luftfilter

MOTIVITÄT

KUEHLER

BILTRAF

BRANDSTOPP



目录 INDEX

传 动	C17图42 离合器安装 ..... 42 ..... C17Fig. 42 Clutch Mount	DRIVE	MTM VOOR- & MTM REMEN MTM BANDEN MTM	
	C18图43 差速器和减速器 ..... 43 ..... C18Fig. 43 Reduction & Differential			
	C19图44 驱动桥 ..... 44 ..... C19Fig. 44 Drive Brake			
	C20图45 轮式制动器 ..... 45 ..... C20Fig. 45 Wheel Brake			
	C21图46 驱动轮 (单胎) ..... 46 ..... C21Fig. 46 Drive Wheel (Single Wheel)			
	C22图47 驱动轮 (双胎) ..... 47 ..... C22Fig. 47 Drive Wheel (Double Wheel)			
	C23图48 变速箱变速操纵 ..... 48 ..... C23Fig. 48 Transmission Control Linkage			
	D1图49 转向系统 ..... 49 ..... D1Fig. 49 Steering System			STEEERING
D2图50 转向桥 ..... 50 ..... D2Fig. 50 Steering Axle				
D3图51 转向轮 ..... 51 ..... D3Fig. 51 Steering Wheel				
D4图52 转向油缸 ..... 52 ..... D4Fig. 52 Steering Cylinder				
操 纵	E1图53 油门操纵(汽油机 TB42G) ..... 53 ..... E1Fig. 53 Accelerator Pedal (Gasoline TB42G)	PEDAL	CHASSIS	
	E2图54 油门操纵(柴油机 A-6BG1QC-05) ..... 54 ..... E2Fig. 54 Accelerator Pedal (Diesel A-6BG1QC-05)			
	E3图55 油门操纵(柴油机 LR4105G4H、R4105G25) ..... 55 ..... E3Fig. 55 Accelerator Pedal (Diesel LR4105G4H、R4105G25)			
	E4图56 油门操纵(柴油机 CY4102BG-C1) ..... 56 ..... E4Fig. 56 Accelerator Pedal (Diesel CY4102BG-C1)			
	E5图57 行车制动与微动操纵(液力车) ..... 57 ..... E5Fig. 57 Brake & Inching Control (Hydraulic Forklift)			
	E6图58 行车制动与离合操纵装置(拉杆式) ..... 58 ..... E6Fig. 58 Brake & Cluth Control (Telescopic)			
	E7图59 停车制动 ..... 59 ..... E7Fig. 59 Brake Lever			
	F1图60 车架与平衡重 ..... 60 ..... F1Fig. 60 Frame & Counter Weight			BODYWORK
	F2图61 机罩、底板及座椅 ..... 61 ..... F2Fig. 61 Hood、Floor Board & Seat			
F3图62 隔热垫及垫 ..... 62 ..... F3Fig. 62 Insulator & Mat				



## 目录 INDEX

	G1图63 液压油箱 .....	G1	Fig. 63 Hydraulic Oil Tank
	G2图64 操纵杆总成 (两片) .....	G2	Fig. 64 Valve Control Linkage (TWO-THROW)
	G3图65 操纵杆总成 (三片) .....	G3	Fig. 65 Valve Control Linkage (THREE-THROW)
	G4图66 操纵杆总成 (四片) .....	G4	Fig. 66 Valve Control Linkage (FOUR-THROW)
液	G5图67 操纵杆总成 (五片) .....	G5	Fig. 67 Valve Control Linkage (FIVE-THROW)
	G6图68 变矩器冷却系统 .....	G6	Fig. 68 Torque Converter Oil Cooling System
	G7图69 液压系统 (液力车) .....	G7	Fig. 69 Hydraul System (Hydraulic Forklift)
压	G8图70 液压系统 (机械车) .....	G8	Fig. 70 Hydraulic System (Mechanical Forklift)
	G9图71 油泵安装 (汽油机TB42G) .....	G9	Fig. 71 Pump Setting (Gasoline TB42G)
	G10图72 油泵安装 (柴油机A-6BG1QC-05) .....	G10	Fig. 72 Pump Setting (Diesel A-6BG1QC-05)
	G11图73 油泵安装 (柴油机LR4105G4H、R4105G25) .....	G11	Fig. 73 Pump Setting (Diesel LR4105G4H、R4105G25)
	G12图74 油泵安装 (柴油机CY4102BG-C1) .....	G12	Fig. 74 Pump Setting (Diesel CY4102BG-C1)
	G13图75 门架管路系统 .....	G13	Fig. 75 Hydraulic System Mast
起	H1图76 货叉与货叉架 .....	H1	Fig. 76 Fork & Lift Bracket
重	H2图77 门架 (液力车) .....	H2	Fig. 77 Mast (Hydraulic Forklift)
	H3图78 门架 (机械车) .....	H3	Fig. Mast (Mechanical Forklift)
	H4图79 起升油缸 .....	H4	Fig. 79 Lift Cylinder
	H5图80 倾斜油缸 .....	H5	Fig. 80 Tilt Cylinder
其	I1图81 护顶架 .....	I1	Fig. 81 Overhead Guard
它	J1图82 标牌 .....	J1	Fig. 82 Decal

HYDRAULIC












LIFT

OTHER

MAST

MASS?

起重  
全自由

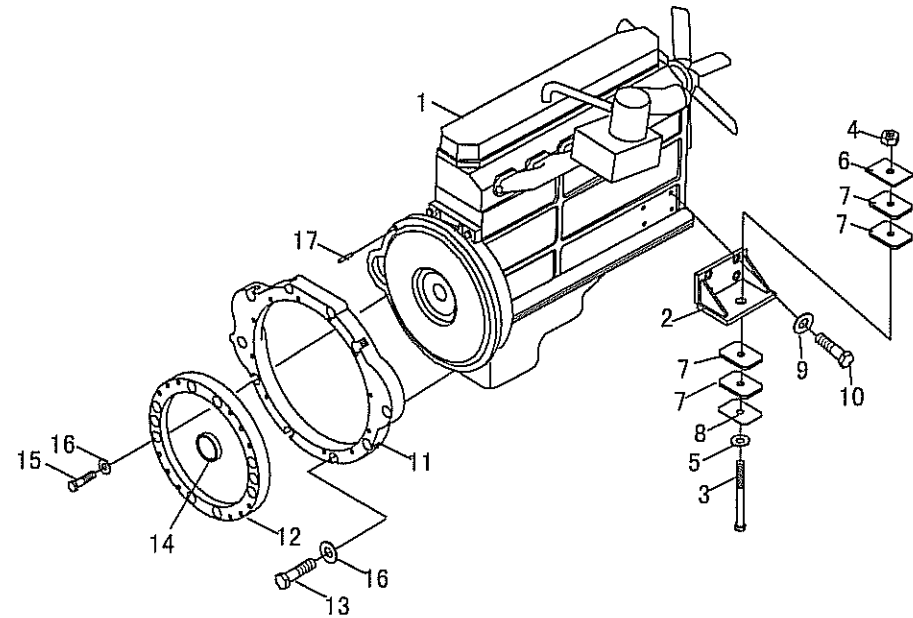
Hk1图83 门架 (两级全自由).....		HK1Fig. 83 Mast(Wide View Full Free 2-Stage Mast KZSM)
Hk2图84 门架管路 (两级全自由).....		HK2Fig. 84 Hydraulic System Mast(Wide View Full Free 2-Stage Mast KZSM)
Hk3图85 后起升油缸 (两级全自由).....		HK3Fig. 85 Back Lift Cylinder(Wide View Full Free 2-Stage Mast KZSM)
Hk4图86 前起升油缸 (两级全自由).....		HK4Fig. 86 Front Lift Cylinder(Wide View Full Free 2-Stage Mast KZSM)
Hk5图87 货叉与货叉架 (两级全自由).....		HK5Fig. 87 Fork & Lift Bracket(Wide View Full Free 2-Stage Mast KZSM)
Hk6图88 倾斜油缸 .....		HK6Fig. 88 Tilt Cylinder
Hk7图89 门架 (三级全自由).....		HK7Fig. 89 Mast(Wide View Full Free 3-Stage Mast KZSM)
Hk8图90 门架管路 (三级全自由).....		HK8Fig. 90 Hydraulic System Mast(Wide View Full Free 3-Stage Mast KZSM)
Hk9图91 后起升油缸 (三级全自由).....		HK9Fig. 126 Back Lift Cylinder(Wide View Full Free 3-Stage Mast KZSM)
Hk10图92 前起升油缸 (三级全自由).....		HK10Fig. 129 Front Lift Cylinder(Wide View Full Free 3-Stage Mast KZSM)
Hk11图93 货叉与货叉架 (三级全自由).....		HK11Fig. 131 Fork & Lift Bracket(Wide View Full Free 3-Stage Mast KZSM)

起重  
全自由

MAST



序号 Item No	图号 Part No	零部件名称 Description	件数 Q'ty	备注 Remark	CPQD40, 45, 50-R
01	A30G1-00221	Engine 汽油机TB42G	1		
02	A30G1-00211	Engine support(left) 发动机支脚(左)	1		
-	A30G1-00201	Engine support(right) 发动机支脚(右)	1		
03	B0220-16100	Bolt 螺栓M16X100	2	GB184-86	
04	B4023-00016	Nut 螺母M16	2	GB97.1-85	
05	B5323-00016	Shim 垫圈16-200HV	4		
06	23911-12081	Plate 垫块	2		
07	23911-02051	Cushion, rubber 橡胶垫	8		
08	23911-12071	Shim 垫片	4		
09	B0302-12030	Washer 垫圈12	8	GB93-87	
10	B5050-00012	Bolt 螺栓M12X30	8	GB5783-86	
11	A32G1-02001	Connecting ring 连接圈	1		
12	A32G1-00201	Connecting plate 连接盘	1		
13	B0320-10035	Bolt 螺栓M10X35	10	GB5783-86	
14	Z-305	Bearing 轴承305	1	GB278-89	
15	B0320-10025	Bolt 螺栓M10X25	10	GB5783-86	
16	B5050-00010	Shim 垫圈10	20	GB93-87	
17	B3130-10025	Pin 销B12X25	2	GB119-89	



A2

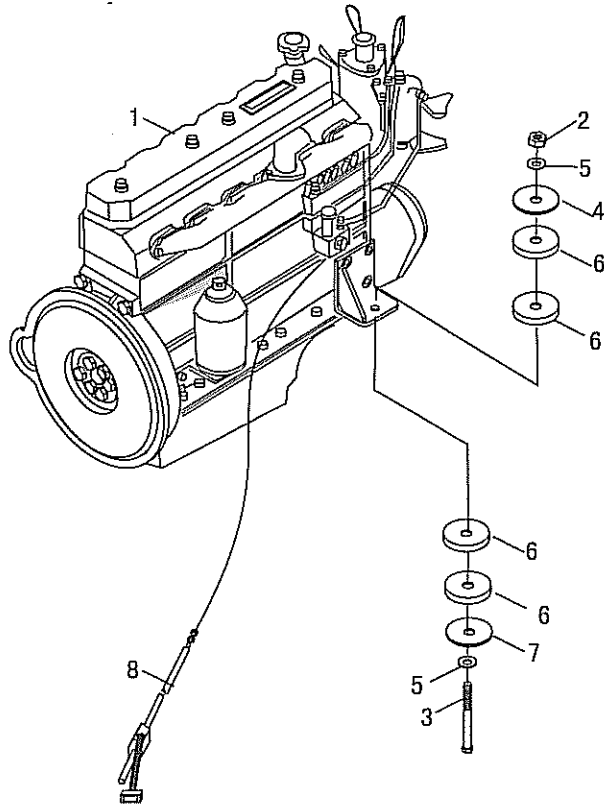
## 发动机 (柴油机) / ENGINE (DIESEL)

图2/FIG2

CPCD40, 45, 50-W

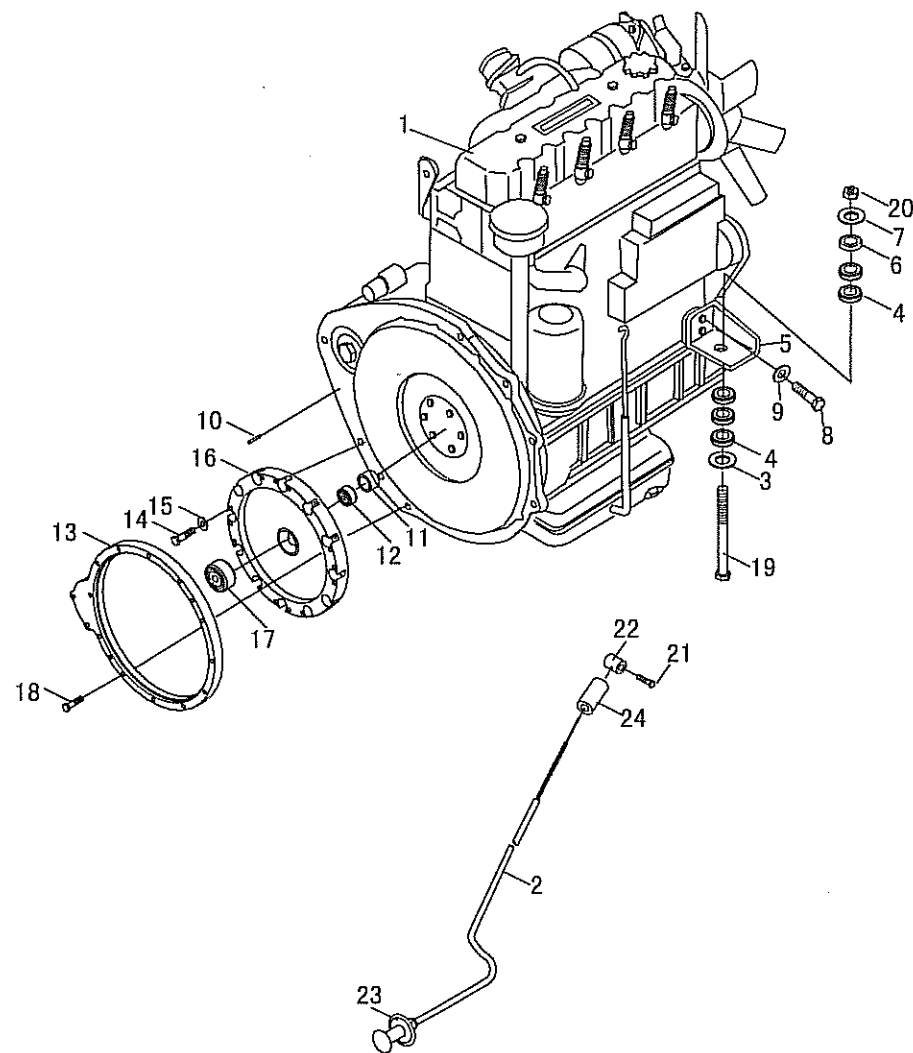
序号  
Item  
No图号  
Part No零部件名称  
Description件数  
Q'ty备注  
Remark

01	A33D1-00301	Engine	柴油机A-6BG1QC-05	1	
02	B4023-00016	Nut	螺母M16	2	GB6184-86
03	B0220-16100	Bolt	螺栓M16X100	2	GB5782-86
04	23911-12081	Plate	垫块	2	
05	B5323-00016	Shim	垫圈16-200HV	4	GB97.1-85
06	23911-02051	Cushion, Rubber	橡胶垫	8	
07	23911-02071	Plate	垫片	4	
08		Relay, stop engine	电磁熄火器总成	1	



A

序号 Item No	国号 Part No	零部件名称 Description	件数 Qty	备注 Remark
01	LR 4105G4H	Engine 发动机LR4105G4H	1	
02	A01D1-10001	Choke control unit 手风门推杆总成	1	
03	23911-02071	Plate 垫片	4	
04	23911-02051	Cushion, rubber 橡胶垫	10	
05	HRA03D1001	Engine support 发动机支脚	2	
06	23911-02081	Plate 垫块	2	
07	B5323-00016	Shim 垫圈16-200HV	4	GB97.1-85
08	B0320-14030	Bolt 螺栓M14X30	8	GB5783-86
09	B5050-00014	Washer 垫圈14	8	GB93-87
10	B3130-10030	Pin 销B10X30	2	GB119-86
11	A03D1-03091	Plate 垫块	1	
12	Z0000-60204	Bearing 轴承60204	2	GB278-82
13	A03D1-02001	Connecting plate 连接圈	1	
14	B0320-10030	Bolt 螺栓M10X30	12	GB5783-86
15	B5050-00010	Shim 垫圈10	24	GB93-87
16	A03D1-00301	Connecting plate 连接盘	1	
17	Z0000-00305	Bearing 轴承305	1	GB276-89
18	B0220-10080	Bolt 螺栓M10X80	12	GB5782-86
19	B0220-16100	Bolt 螺栓M16X100	2	GB5782-86
20	B4023-00016	Nut 螺母M16	2	GB6184-86
21	B1110-04012	Screw 螺钉M4X12	1	GB67-85
22	A01D1-12001	Pin 固定销	1	
23	A01D1-12011	Rubber 防水圈	1	
24	A01D1-12021	Rubber 套	1	

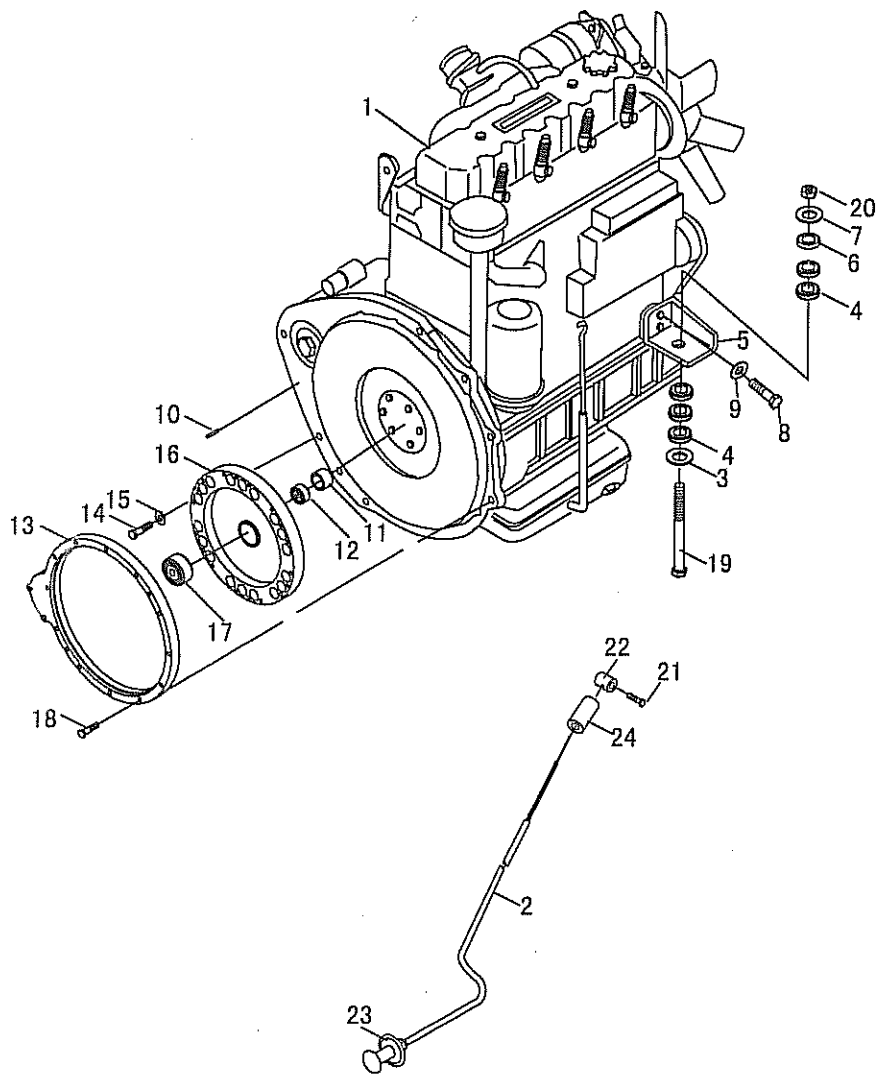


A4

## 发动机(柴油机)/ENGINE(DIESEL)

图4/FIG4

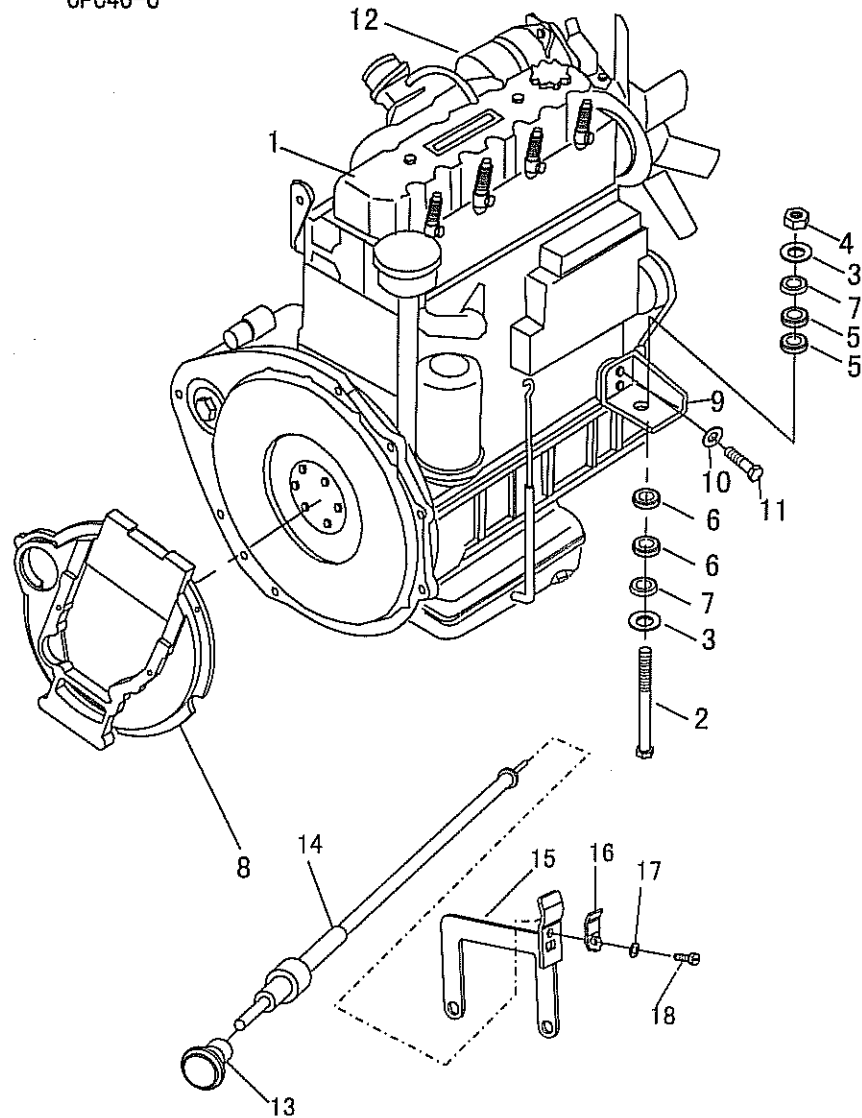
CPCD40, 45, 50-WF



序号 Item No	图号 Part No	零部件名称 Description	件数 Qty	备注 Remark
01	A05D1-00101	Engine 发动机R4105G25	1	
02	A01D1-10001	Choke control unit 手风门推杆总成	1	
03	23911-00016	Plate 垫片	4	
04	23911-02051	Cushion, rubber 橡胶垫	10	
05	HRA05D1001	Engine support 发动机支脚	2	
06	23911-02081	Plate 垫块	2	
07	B5323-00016	Shim 垫圈16-200HV	4	GB97.1-85
08	B0320-14030	Bolt 螺栓M12X30	8	GB5783-86
09	B5050-00014	Washer 垫圈12	8	GB93-87
10	B3130-10030	Pin 销10X30	2	GB119-86
11	A03D1-03091	Plate 垫块	1	
12	Z0000-60204	Bearing 轴承60204	2	GB278-86
13	A03D1-02001	Connecting ring 连接圈	1	
14	B0320-10030	Bolt 螺栓M10X30	12	GB5783-86
15	B5050-00010	Washer 垫圈10	24	GB93-87
16	A05D1-00201	Connecting plate 连接盘	1	
17	Z0000-00305	Bearing 轴承305	1	GB278-89
18	B0220-10060	Bolt 螺栓M10X60	12	GB5782-86
19	B0220-16100	Bolt 螺栓M16X100	2	GB5782-86
20	B4023-00016	Nut 螺母M16	2	GB6184-86
21	B1110-04012	Screw 螺钉M4X12	1	GB67-85
22	A01D1-12001	Pin 固定销	1	
23	A01D1-12011	Rubber 防水圈	1	
24	A01D1-12021	Rubber 套	1	

序号 Item No	图号 Part No	零部件名称 Description	件数 Q'ty	备注 Remark
01	A03R3-80201	Engine 发动机CY4102BG-01	1	
02	B0220-16090	Bolt 螺栓M16X90	2	GB5782-86
03	B5310-00016	Washer 垫圈16	2	GB97.1-87
04	B4016-00016	Nut 螺母M16	2	GB6184-86
05	23911-02051	Cushion, Rubber 橡胶垫	8	
06	23911-02071	Shim 垫片	4	
07	23911-02081	Plate 垫板	6	
08	A03R3-12083	Flywheel Gasing 飞轮壳	1	
09	A03R3-80801	Engine Bearer, Life 发动机右支脚	1	
10	B0550-00010	Washer 垫圈10	8	GB93-87
11	B0220-10025	Bolt 螺栓M10X25	8	GB5781-86
12	A03R3-80701	Engine Bearer, Right 发动机左支脚	1	
13	25591-120106	Hand button 按钮	1	
14	A03R1-10101	Bracing wire 拉索	1	
15	A03R1-12011	Support 支架	1	
16	A03R1-12021	Plate 压板	1	
17	B5050-00004	Washer 垫圈4	1	GB93-87
18	B4112-04010	Screw 螺钉M4X10	1	GB65-85

GPC40-C



h2000



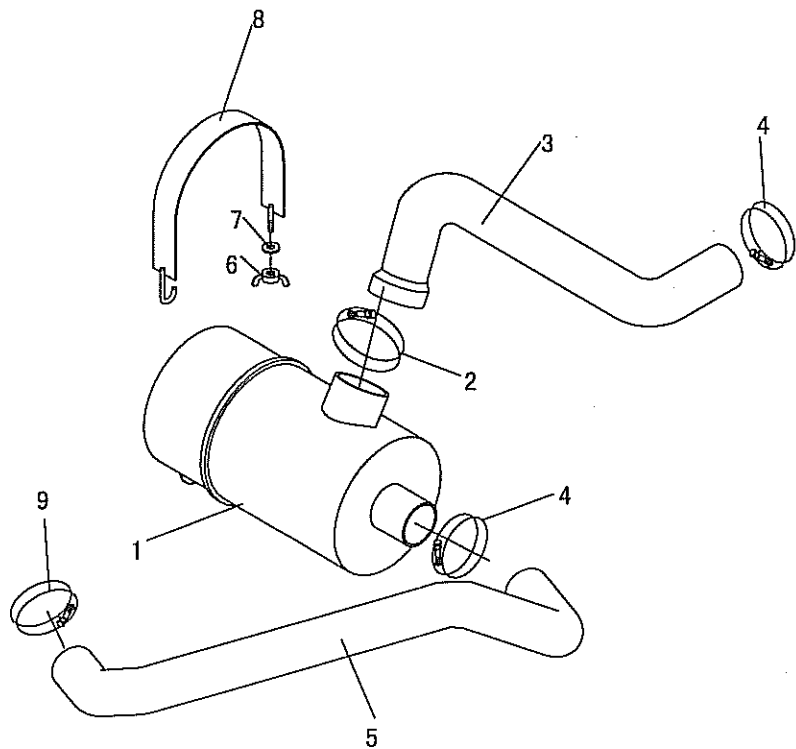
A6

空滤器安装 (汽油机) / ENGINE (GASOLINE)

图6/FIG6

CPQ40, 45, 50-R

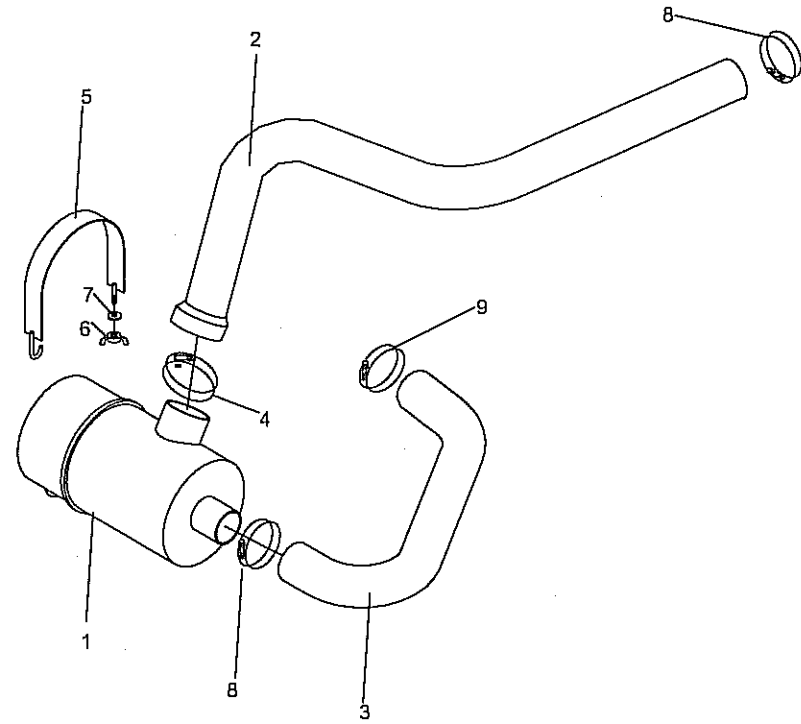
序号 Item No	图号 Part No	零部件名称 Description	件数 Qty	备注 Remark
01	A01G1-00301	Air cleaner 空气滤清器	1	
02	Z4590-00095	Clip 双钢丝卡箍 $\phi 95$	1	JB/ZQ3776-86
03	A32C1-02061	Hose 空气胶管	2	
04	Z4590-00085	Clip 双钢丝卡箍 $\phi 75$	2	JB/ZQ3776-86
05	A32C1-02071	Hose 进气胶管	1	
06	B4910-00008	Nut 螺母M8	1	GB62-88
07	B5310-00008	Shim 垫圈8	1	GB97.1-85
08	A01G1-00201	U-Clip 固定箍	2	
09	Z4590-00080	Clip 双钢丝卡箍 $\phi 80$	1	JB/ZQ3776-86



A

序号 Item No	图号 Part No	零部件名称 Description	件数 Q'ty	备注 Remark
01	A01C1-00301	Air cleaner 空气滤清器	1	
20	A33D1-02021	Hose 进气管2	1	
03	A33D1-02011	Hose 进气管1	1	
04	Z4590-00090	Clip 双钢丝卡箍 $\phi 90$	1	JB/ZQ3776-86
05	A01C1-00201	U-Clip 固定箍	2	
06	B4910-00008	Nut 螺母M8	2	GB62-88
07	B5310-00008	Shim 垫圈8	2	GB97.1-85
08	Z4590-00070	Clip 双钢丝卡箍 $\phi 70$	2	JB/ZQ3776-86
09	Z4590-00085	Clip 双钢丝卡箍 $\phi 85$	1	JB/ZQ3776-86

CPCD40,45,45-W



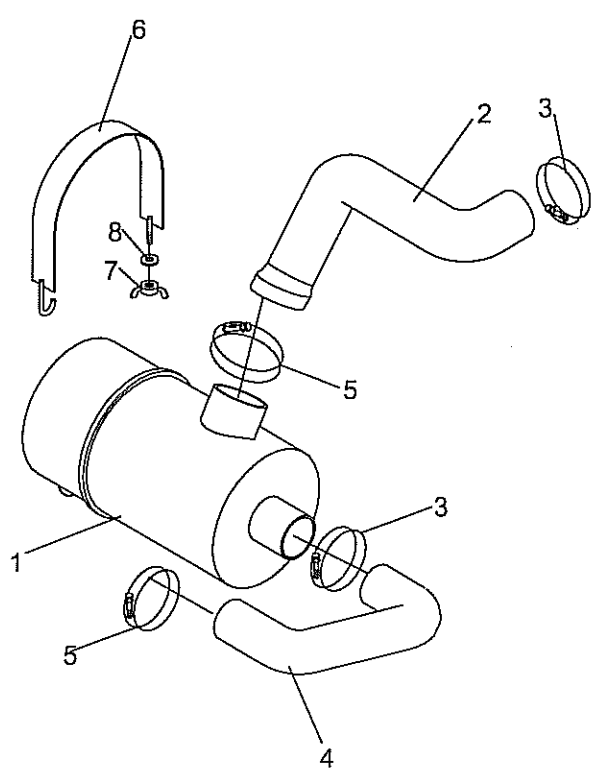
A8

空滤器安装(柴油机)/AIR CLEANER (DIESEL)

图8/FI G8

GPCD40, 45, 50-L2

序号 Item No	图号 Part No	零部件名称 Description	件数 Q'ty	备注 Remark
01	A01C1-00301	Air cleaner 空气滤清器	1	
02	A03D1-02081	Hose 进气管1	1	
03	Z4590-00070	Clip 双钢丝卡箍 $\phi$ 69-75	2	JB/ZQ3776-86
04	A03D1-02091	Hose 进气管2	1	
05	Z4590-00088	Clip 双钢丝卡箍 $\phi$ 85-95	2	JB/ZQ3776-86
06	A01C1-00201	U-Clip 固定箍	2	
07	B4910-00008	Nut 螺母M8	2	GB62-88
08	B5310-00008	Shim 垫圈8	2	GB97.1-85

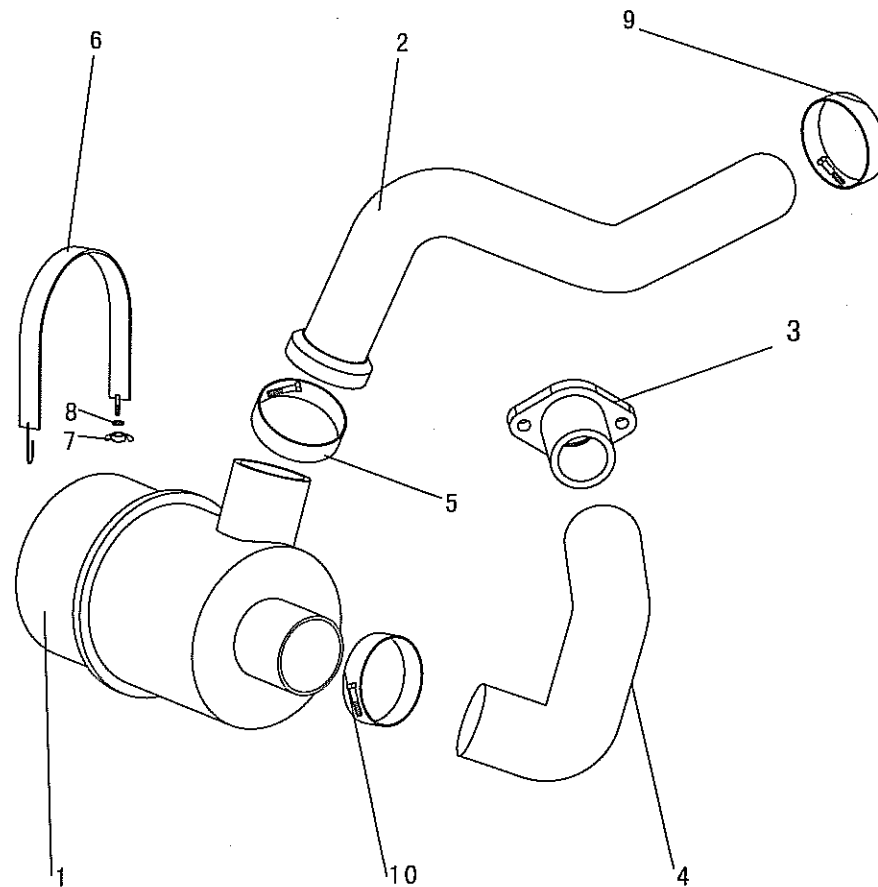


A

8

序号 Item No.	图号 Part No.	零部件名称 Description	件数 Q'ty	备注 Remark
01	A01C1-00301	Air cleaner 空气滤清器	1	
02	A33D1-02021	Hose 进气管2	1	
03	A03R1-02021	Hose 进气接管	1	
04	A03R1-02011	Hose 进气管1	1	
05	Z4590-00090	Clip 双钢丝喉箍 $\phi 90$	1	JB/ZQ3776-86
06	A01C1-00201	U-Clip 固定箍	2	
07	B4910-00008	Nut 螺母M8	2	GB62-88
08	B5310-00008	Washer 垫圈8	2	GB97.1-85
09	Z4590-00075	Clip 双钢丝喉箍 $\phi 75$	2	JB/ZQ3776-86
10	Z4590-00085	Clip 双钢丝喉箍 $\phi 85$	1	JB/ZQ3776-86

CPC40-C



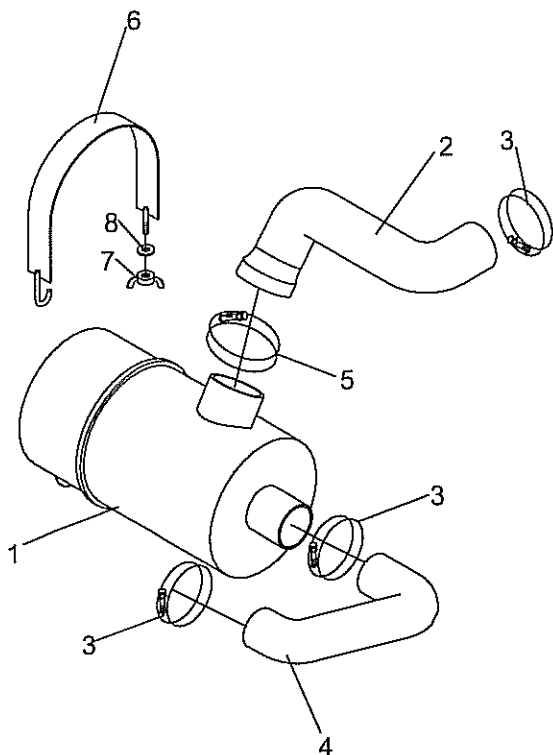
A10

## 空滤器安装(柴油机)/AIR CLEANER (DIESEL)

图10/FIG10

CPCD40,45,50-WF

序号 Item No	图号 Part No	零部件名称 Description	件数 Q'ty	备注 Remark	
01	A01C1-00301	Air cleaner	空气滤清器	1	
02	A03D1-02081	Duct	进气管1	1	
03	Z4590-00070	Clip	双钢丝卡箍 $\phi 85-95$	3	JB/ZQ3776-86
04	A05D1-02041	Duct	进气管2	1	
05	Z4590-00088	Clip	双钢丝卡箍 $\phi 65-75$	1	JB/ZQ3776-86
06	A01C1-00201	U-Clip	固定箍	2	
07	B4910-00008	Nut	螺母M8	2	GB62-88
08	B5310-00008	Shim	垫圈8	2	GB97.1-85



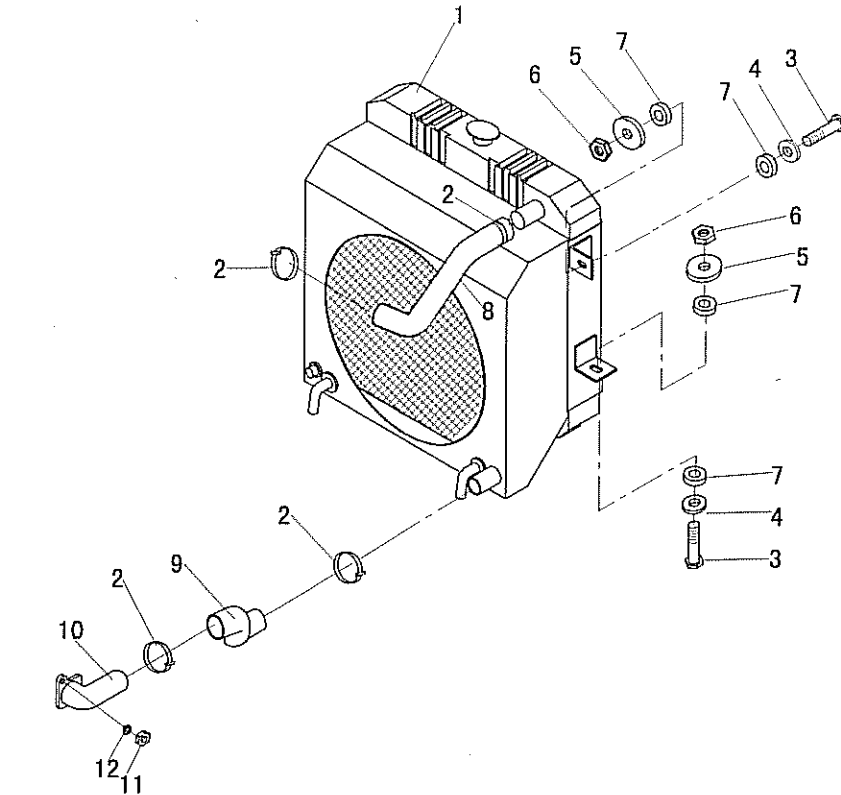
A

图11/FIG11

## 冷却系统(汽油机)/COOLING SYSTEM(GASOLINE)

A11

序号 Item No	图号 Part No	零部件名称 Description	件数 Qty	备注 Remark
1	A32C2-10202	Radiator 散热器总成	1	
2	Z4590-00050	Clip 双钢丝喉箍 $\phi 48-54$	4	JB/ZQ3776-86
3	B0230-10060	Bolt 螺栓M10X60	4	GB5782-86
4	B5210-00010	Shim 垫圈10	4	GB96-85
5	B5310-00010	Shim 垫圈10	4	GB97.1-85
6	B4023-00010	Nut 锁紧螺母M10	4	GB6184-86
7	A01D4-12001	Ruber 橡胶垫	8	
8	A32C2-12002	Hose, upper 上水管	1	
9	A32C2-12012	Hose, lower 下水管	1	
10	A32C2-12071	Connector 接头	1	
11	B4223-00010	Nut 螺母M10X2.5	2	GB6171-86
12	B5050-00010	Washer 垫圈10	2	GB93-87

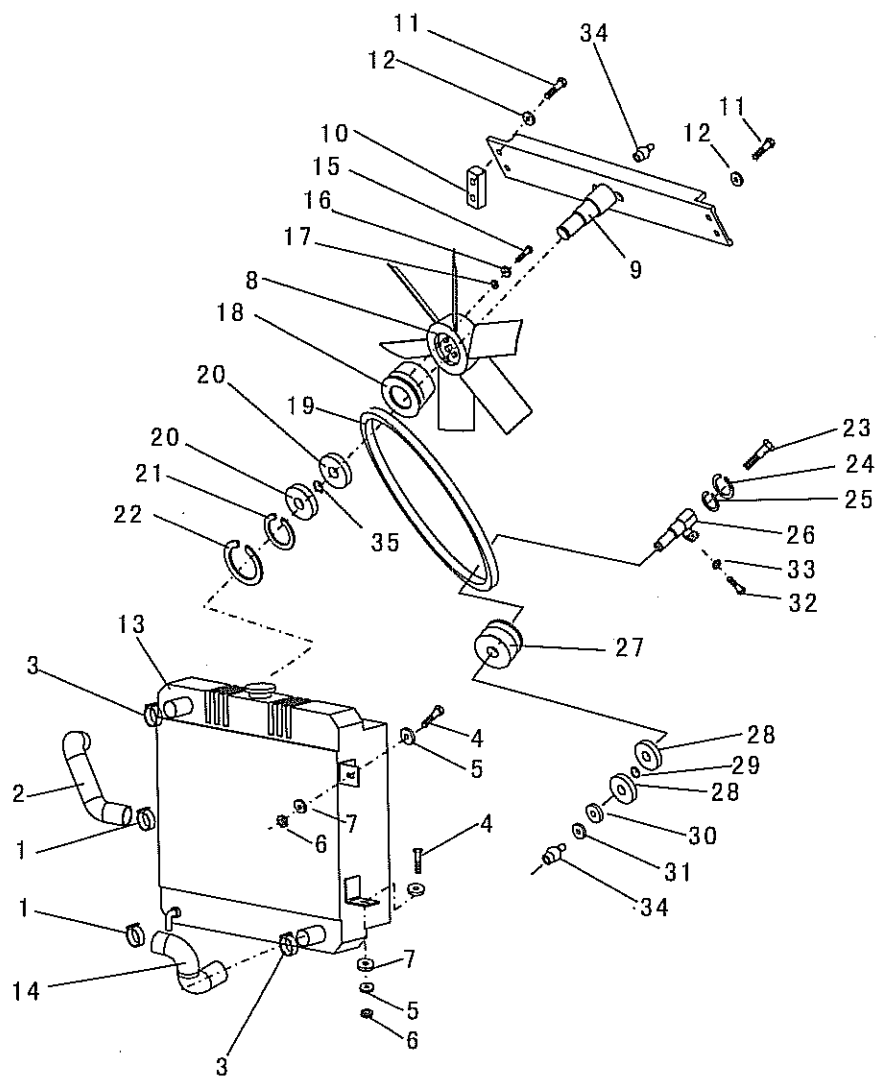


A12

## 冷却系统 (柴油机) / COOLING SYSTEM (DIESEL)

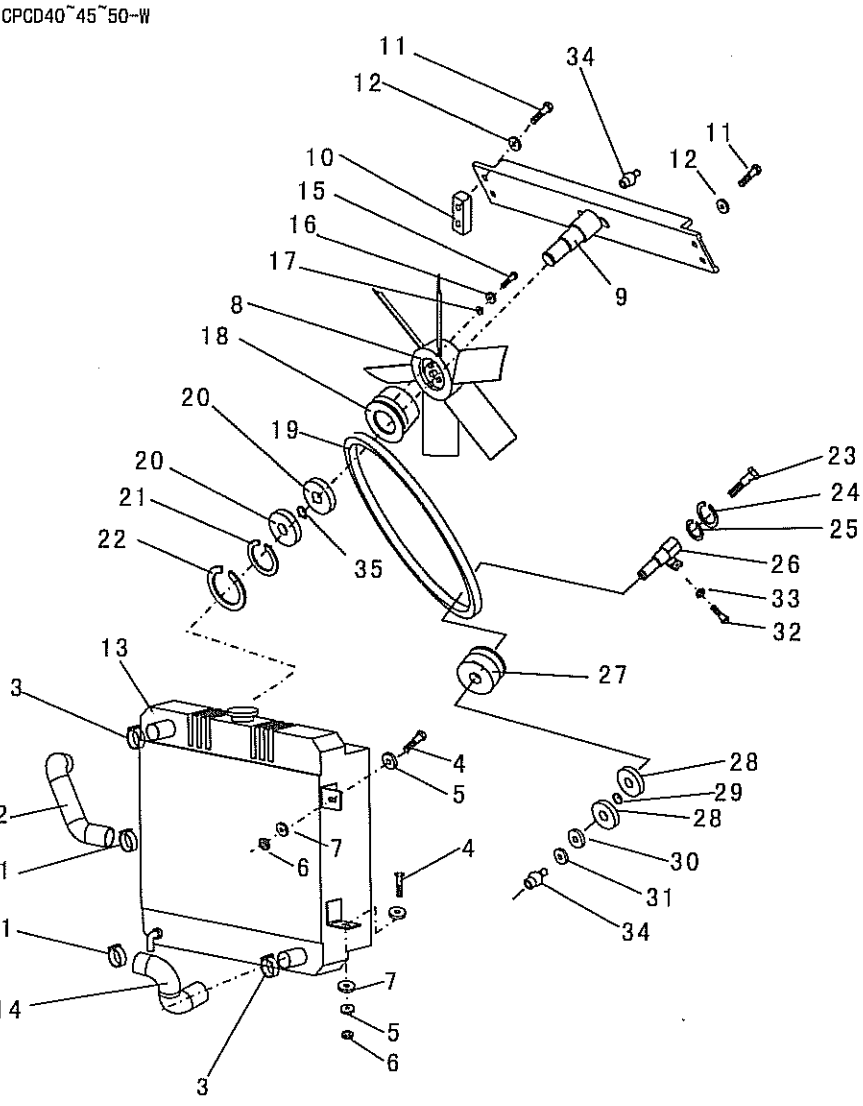
图12/FIG12

GPCD40, 45, 50-W



序号 Item No.	图号 Part No.	零部件名称 Description	件数 Q'ty	备注 Remark
01	Z4590-00065	Clip 双钢丝喉箍 $\phi$ 65	1	JB/ZQ3776-88
02	A33D2-12011	Hose, upper 上水管	2	
03	B4590-00050	Clip 双钢丝喉箍 $\phi$ 50	4	JB/Zq3776-88
04	B0230-10055	Bolt 螺栓M10X55	4	GB5782-86
05	B5310-00010	Shim 大垫圈10	4	GB96-85
06	B4023-00010	Nut 锁紧螺母M10	8	
07	A01D2-12001	Rubber 橡胶垫	1	
08		Fan 风扇	1	
09	A33D2-10101	Bracket 风扇支架	2	
10	A33D2-12012	Plate 垫块	4	
11	B0220-10040	Bolt 螺栓M10X40	4	GB5782-86
12	B5050-00010	Washer 垫圈10	1	GB93-87
13	A33D2-10201	Radiator 散热器总成	1	
14	A33D2-12021	Hose, lower 下水管	4	
15	B0110-08020	Bolt 螺栓M8X20	4	GB5781-86
16	B5050-00008	Washer 垫圈8	4	GB93-87
17	B5310-00008	Shim 垫圈8	1	GB97.1-86
18	A33D2-12081	Wheel, strap 皮带轮	1	
19	Z1010-00012	V-strap V型带1250	2	GB11544-85
20	Z0119-10205	Bushing 轴承80205	1	GB278-82
21	B6150-00025	Snap, ring 挡圈25	1	GB894.1-86
22	B6050-00052	Snap, ring 挡圈52	1	GB893.1-86
23	B0430-16035	Bolt 螺栓M16X1.5X35	1	GB5785-86
24	B5050-00016	Washer 垫圈16	1	GB93-87
25	B5310-00016	Shim 垫圈16	1	GB97.1-86
26	A33D2-12502	Bracket 张紧轴总成	1	
27	A33D2-12062	Wheel 张紧轮	1	
28	Z0119-80103	Bushong 轴承80103	2	GB278-82
29	A33D2-12072	Shim 垫	1	
30	B6150-00035	Snap, ring 挡圈35	1	GB893.1-86

序号 Item No.	图 号 Part No.	零部件名称 Description	件数 Q'ty	备注 Remark
31	B6152-00017	Snap ring 挡圈	1	GB894.1-86
32	B0220-08050	Bolt 螺栓M8X50	1	GB5781-86
33	B4330-00008	Nut 螺母8	1	GB6172-86
34	Q701B90	Fitting 弯颈式滑脂嘴	2	ZBT33001.2-82
35	A33D2-12092	Shim 垫片	1	



A

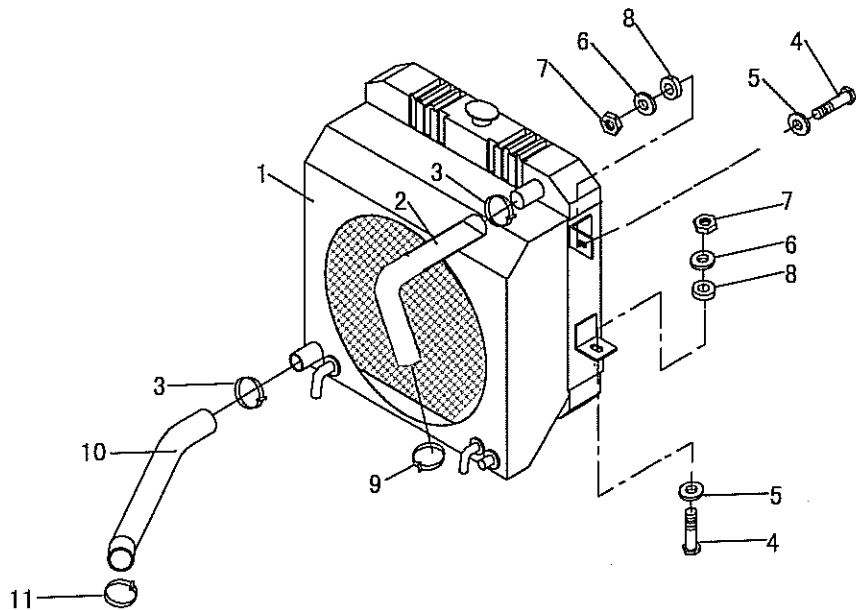


A13

冷却系统（柴油机）/COOLING SYSTEM (DIESEL)

图13/FIG13

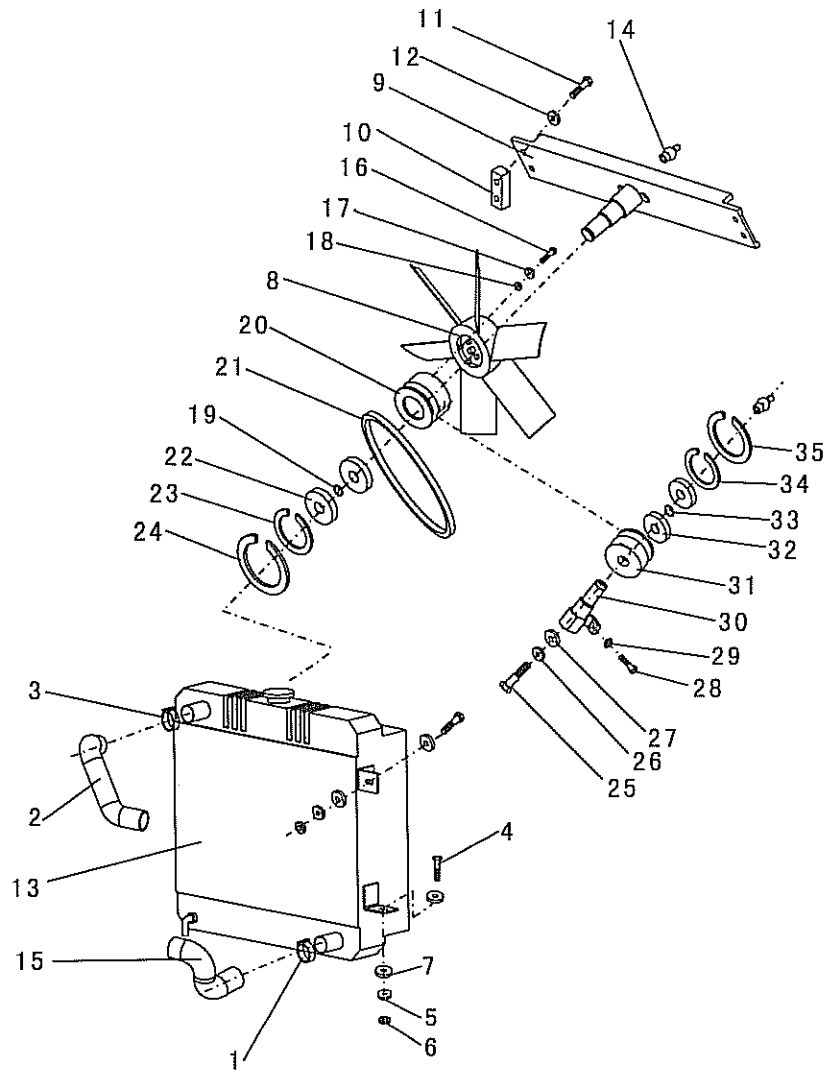
CPCD40, 45, 50-L2  
CPCD40, 45, 50-WF



序号 Item No	图号 Part No	零部件名称 Description	件数 Qty	备注 Remark
1	A03D2-10201	Radiator 散热器总成	1	
2	A03D2-12011	Hose, upper 上水管	1	R4105G4H only
-	A05D2-12011	Hose, Upper 上水管	1	R4105G25 only
3	Z4590-0004B	Clip 双钢丝喉箍 $\phi$ 48-54	2	JB/ZQ3776-86
4	B0230-10055	Bolt 螺栓M10X55	4	GB5782-86
5	B5310-00010	Washer 垫圈10	4	GB96-85
6	B5050-00010	Washer 垫圈10	4	GB93-87
7	B4223-00010	Nut 锁紧螺母M10	4	GB6184-86
8	A01D2-12001	Rubber 橡胶垫	8	
9	Z4590-00058	Clip 双钢丝喉箍 $\phi$ 58-65	1	JB/ZQ3776-86
10	A03D2-12021	Hose, lower 下水管	1	
11	Z4590-00054	Clip 双钢丝喉箍 $\phi$ 54-60	1	JB/ZQ3776-86

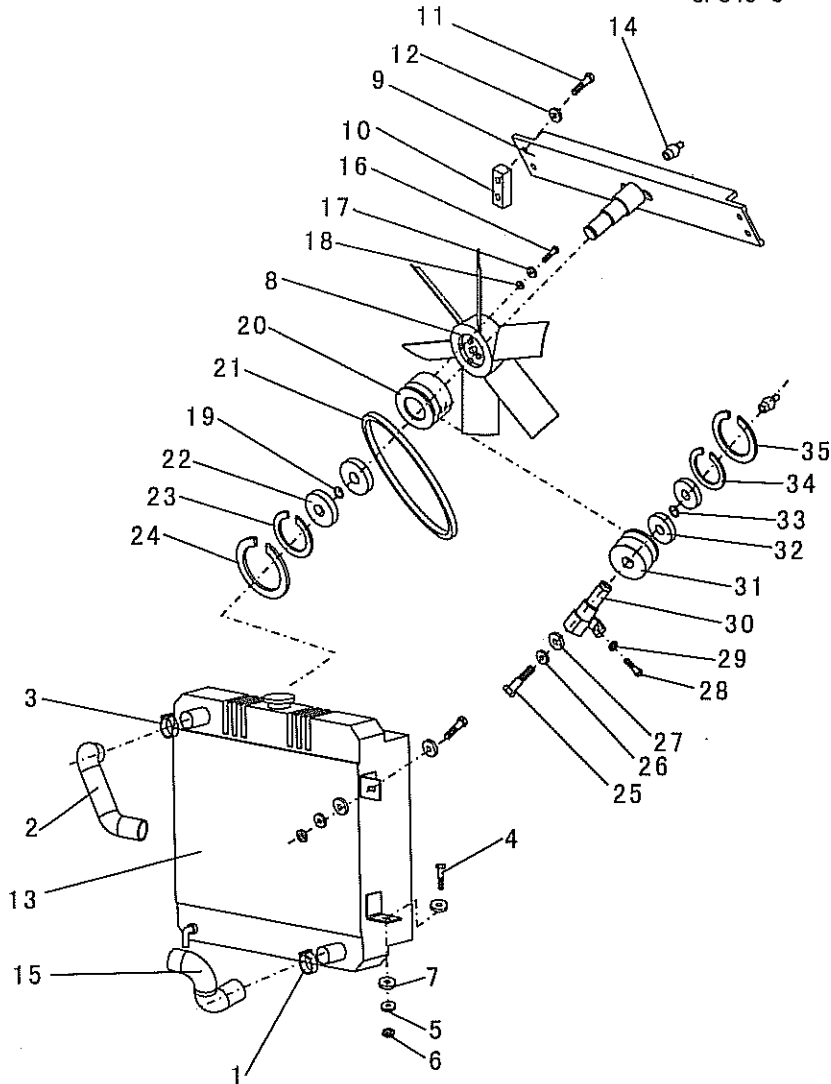
序号 Item No.	图号 Part No.	零部件名称 Description	件数 Qty	备注 Remark
01	Z4590-00065	Clip 双钢丝喉箍 $\phi 65$	2	JB/ZQ3778-86
02	A03R2-12011	Hose, Upper 上水管	1	
03	Z4590-00050	Clip 双钢丝喉箍 $\phi 50$	2	JB/ZQ3776-86
04	B0230-10055	Bolt 螺栓M10X55	4	GB5782-86
05	B5210-00010	Shim 大垫圈10	4	GB96-85
06	B4023-10055	Nut 锁紧螺母M10	4	GB6184-86
07	A01D2-12001	Rubber 橡胶垫	8	
08	A03R2-12031	Fan 风扇	1	
09	A33D2-10102	Fan bracket 风扇支架	1	
10	A33D2-12012	Plate 垫块	2	
11	B0230-10040	Bolt 螺栓M10X40	4	GB5782-82
12	B5050-00010	Shim 垫圈10	4	GB93-87
13	A03R2-10201	Radiator 散热器总成	1	
14	Q700B01	Input axis 直通式滑脂嘴	2	ZBJ33001.1-82
15	A03R2-12021	Hose, lower 下水管	1	
16	B0110-08020	Bolt 螺栓M8X20	4	GB5781-86
17	B5050-00008	Shim 垫圈8	4	GB93-87
18	B5310-00008	Shim 垫圈8	4	GB97.1-85
19	A33D2-12092	Shim 垫片	1	
20	A33D2-12082	Wheel, strap 皮带轮	1	
21	Z1010-00012	V-stap V型带1220	1	QB11544-89
22	Z-6205-2Z	Bearing 轴承6205-2Z	2	GB278-82
23	B6150-00025	Snap, ring 挡圈25	1	GB894.1-86
24	B6050-00052	Snap, ring 挡圈52	8	GB893.1-86
25	B0420-16035	Bolt 螺栓M16X1.5X35	1	GB5785-86
26	B5050-00016	Washer 垫圈16	1	GB93-87
27	B5310-00016	Shim 垫圈16	1	GB97.1-86
28	B0110-08050	Bolt 螺栓M8X50	1	GB5781-86
29	B4116-00008	Nut 螺母M8	1	GB6170-86
30	A33D2-12502	Axes 张紧轴总成	1	

CPG40-C



A

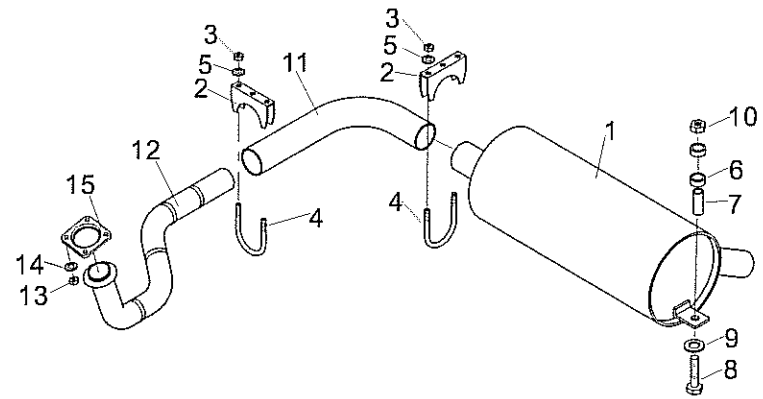
CPC40-C



序号 Item No.	图号 Part No.	零部件名称 Description	件数 Qty	备注 Remark	
31	A33D2-12062	Wheel	张紧轮	2	
32	Z-6003-28	Bearing	轴承6003-2Z	1	GB276-94
33	A33D2-12072	Glutch	垫	1	
34	B6050-00035	Snap ring	挡圈35	1	GB893.1-86
35	B6152-00017	Snap ring	挡圈17	1	GB894.1-86

A

序号 Item No	图号 Part No	零部件名称 Description	件数 Q'ty	备注 Remark
01	A32C2-30301	Muffler 消音器总成	1	
02	A01D2-32031	Clamp 固定支架	2	
03	B4116-00008	Nut 螺母M8	4	GB6170-86
04	A01D2-32021	U-bolt 螺杆	2	
05	B5050-00080	Washer 垫圈B	4	GB93-87
06	A01D2-32041	Rubber 橡胶垫	2	
07	A01D2-32051	Collar 限位套管	4	
08	B0220-10055	Bolt 螺栓M10X55	2	GB6170-86
09	B5210-00010	Washer 垫圈10	2	GB96-85
10	B4023-00010	Nut 锁紧螺母M10	2	GB6184-86
11	A32C2-32101	Pipe 接管	1	
12	A33D2-30201	Pipe ass'Y 排气管总成	1	
13	B4223-00010	Nut 螺母M10X1.25	2	GB6171-86
14	B5050-00010	Washer 垫圈10	2	GB93-87
15	A33D2-32011	Plate 法兰	1	

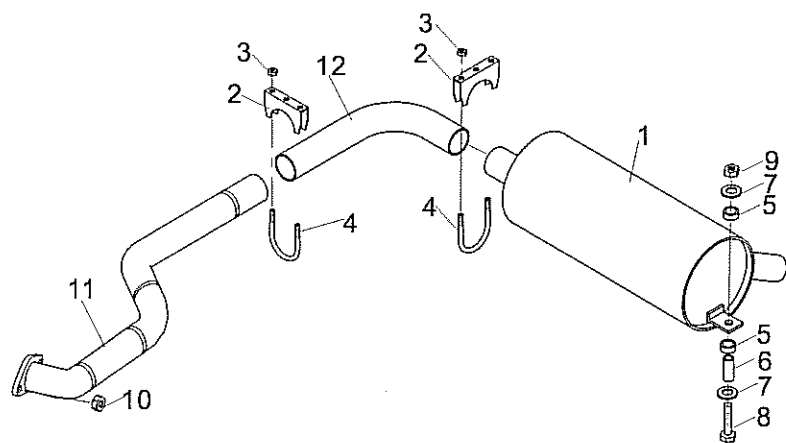


A16

## 排气系统(汽油机)/EXHAUST SYSTEM(GASOLINE)

图16/FIG16

CPQD40,45,50-R



序号 Item No	图号 Part No	零部件名称 Description	件数 Q'ty	备注 Remark
01	A32C2-30301	Muffler	1	消音器总成
02	A01D2-32031	Clamp	2	固定支架
03	B5116-00008	Nut	4	螺母M8 GB6170-86
04	A01D2-32021	U-bolt	2	螺杆
05	A01D2-32041	Rubber	4	橡胶垫
06	A01D2-32051	Collar	2	限位套管
07	B5210-00010	Washer	4	垫圈10 GB96-85
08	B0220-10055	Bolt	2	螺栓M10X55 GB5782-86
09	B4023-00010	Nut	2	锁紧螺母M10 GB6164-86
10	B4223-00010	Nut	2	螺母M10X1.25 GB6171-86
11	A32C2-30201	Pipe ass'y	1	排气管总成
12	A32C2-32101	Pipe	1	接管

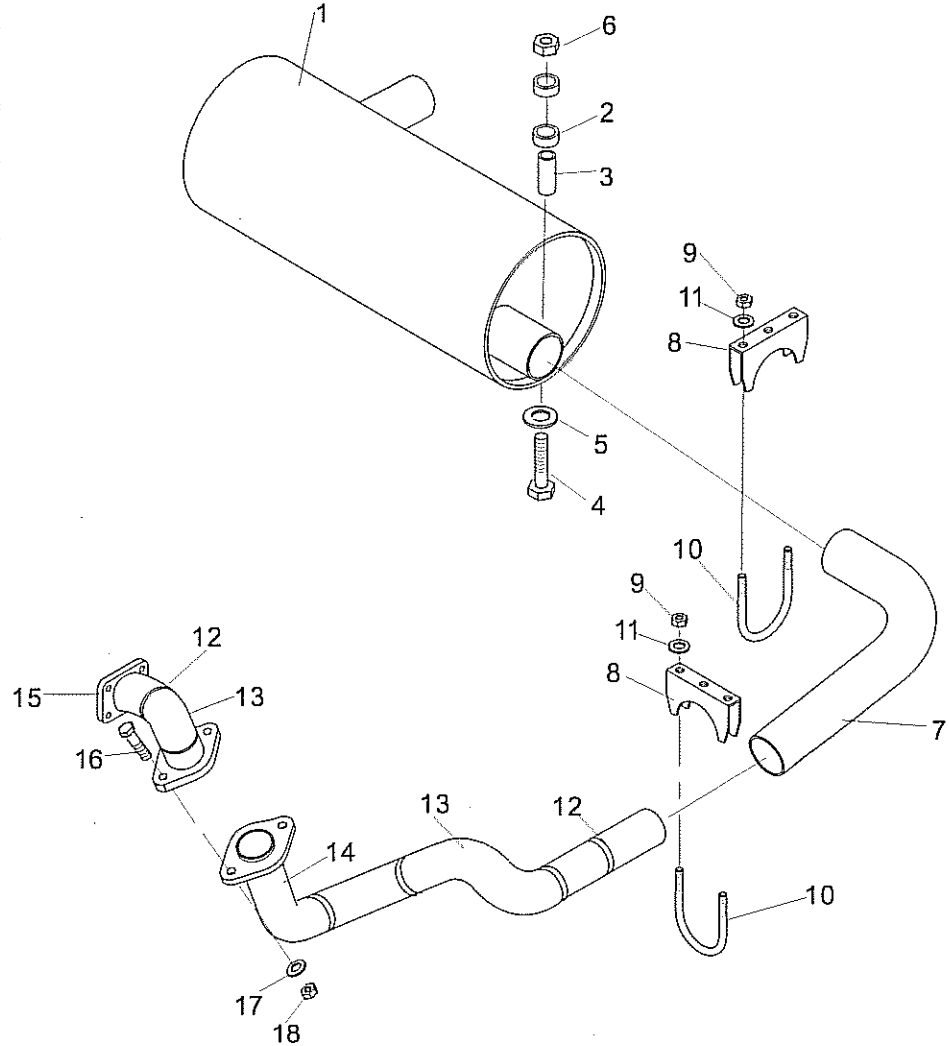
A

图17/FIG17

## 排气系统(柴油机)/EXHAUST SYSTEM(DIESEL)

A17

序号 Item No	图号 Part No	零部件名称 Description	件数 Q'ty	备注 Remark
01	A03D2-30401	Muffler 消音器总成	1	
02	A01D2-32041	Rubber 橡胶垫	4	
03	A01D2-32051	Collar 限位套管	2	
04	B0220-10055	Bolt 螺栓M10X55	2	GB5782-86
05	B5210-00010	Washer 垫圈10	2	GB96-85
06	B4023-00010	Nut 锁紧螺母M10	2	GB6184-86
07	A03D2-32011	Pipe,uninon 接管	1	
08	A01D2-32031	Climp 固定支架	2	
09	B4116-00008	Nut 螺母M8	4	GB6170-86
10	A01D2-32021	U-bolt 螺杆	2	
11	B5050-00008	Washer 垫圈8	4	GB93-87
12	Z4590-00080	Clipe 双钢丝卡箍 $\varnothing 80$	6	JB/ZQ3776-86
13	A03C2-32021	Insulater 隔热层	2	
14	A03D2-32051	Pipe,exhaust ass'y 排气管总成	1	
15	A05D2-32011	Pipe,wxhaust 排气弯管	1	
16	B0320-08025	Bolt 螺栓M8X25	5	GB5783-86
17	B5050-00008	Washer 垫圈8	5	GB93-87
18	B4116-00010	Nut 螺母M10	2	GB6170-86



A18

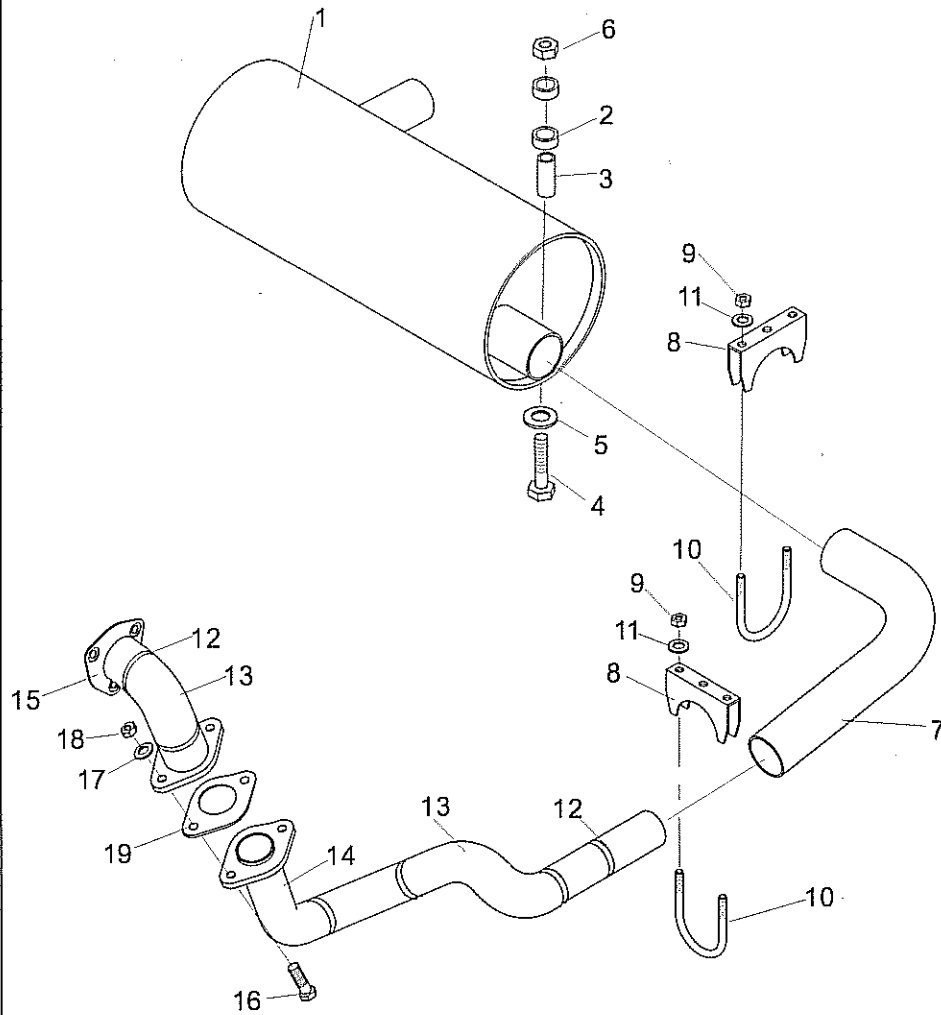
## 排气系统(柴油机)/EXHAUST SYSTEM(DIESEL)

图18/FIG18

CPCD40,45,50-L2

序号  
Item  
No图号  
Part No零部件名称  
Description件数  
Q'ty备注  
Remark

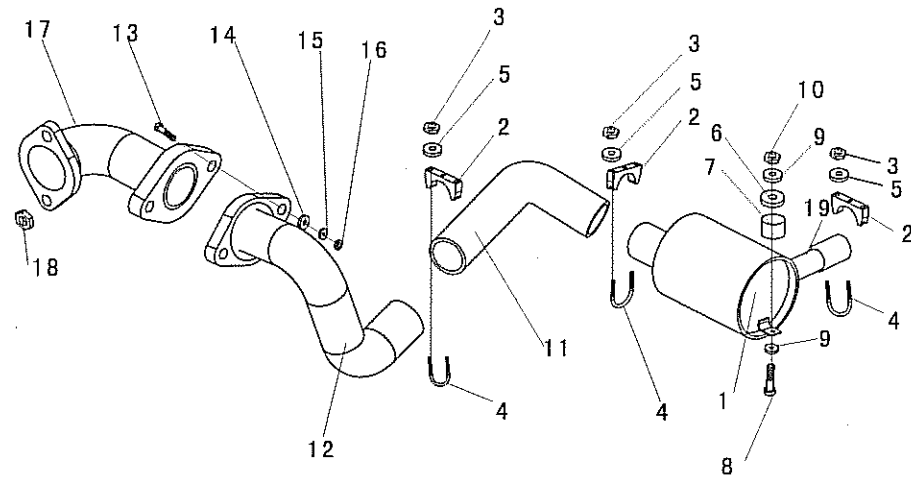
01	A03D2-30401	Muffler	消音器总成	1	
02	A01D2-32041	Rubber	橡胶垫	4	
03	A01D2-32051	Colar	限位套管	2	
04	B0220-10055	Bolt	螺栓M10X55	2	GB6170-85
05	B5210-00010	Washer	垫圈10	2	GB96-85
06	B4023-00010	Nut	锁紧螺母M10	2	GB6184-86
07	A03D2-32011	Pipe,union	接管	1	
08	A03D2-32031	Clamp	固定支架	2	
09	B4116-00008	Nut	螺母M8	4	GB6170-86
10	A01D2-32021	U-bolt	螺杆	4	
11	B5050-00008	Washer	垫圈8	6	GB93-87
12	Z4590-00080	Clipe	双钢丝卡箍 $\varnothing$ 80	2	JB/ZQ3776-86
13	A03C2-32021	Insulator	隔热层	1	
14	A03D2-32051	Pipe,exhaust assy	排气管总成	1	
15	A03D2-32031	Pipe,exhaust	排气弯管	5	
16	B0320-10025	Bolt	螺栓M10X25	2	GB5783-86
17	B5050-00010	Washer	垫圈10	1	GB93-87
18	B4116-00010	Nut	螺母M10	1	GB6170-86
19	A03D2-32041	Clutch	垫		



A

序号 Item No	图号 Part No	零部件名称 Description	件数 Qty	备注 Remark
01	A03R2-30201	Muffler 消音器总成	1	
02	A01D2-32031	Clamp 固定支架	3	
03	B4116-00008	Nut 螺母M8	6	GB6170-86
04	A01D2-32021	U-bolt 螺杆	3	
05	B5050-00008	Washer 垫圈8	6	GB93-87
06	A01D2-32041	Rubber 橡胶垫	4	
07	A01D2-32051	Collar 限位套管	2	
08	B0220-10055	Bolt 螺栓M10X55	2	GB5782-86
09	B5210-00010	Washer 垫圈10	2	GB96-85
10	B4023-00010	Nut 锁紧螺母M10	2	GB6184-86
11	A32C2-32101	Pipe 接管	1	
12	A03R2-30301	Pipe ass'Y 排气管总成	1	
13	B0220-10045	Bolt 螺栓M10X45	2	GB5782-86
14	B5323-00010	Washer 垫圈10	2	GB97.1-86
15	B5050-00010	Washer 垫圈10	4	GB93-87
16	B4116-00010	Nut 螺母M10	2	GB6170-86
17	A03R2-30401	Pipe,exhaust 排气弯管	1	
18	B4223-00010	Nut 螺母M10X1.25	2	GB6171-86
19	A03R2-32071	Pipe union 接管	1	

CPC40-C



A

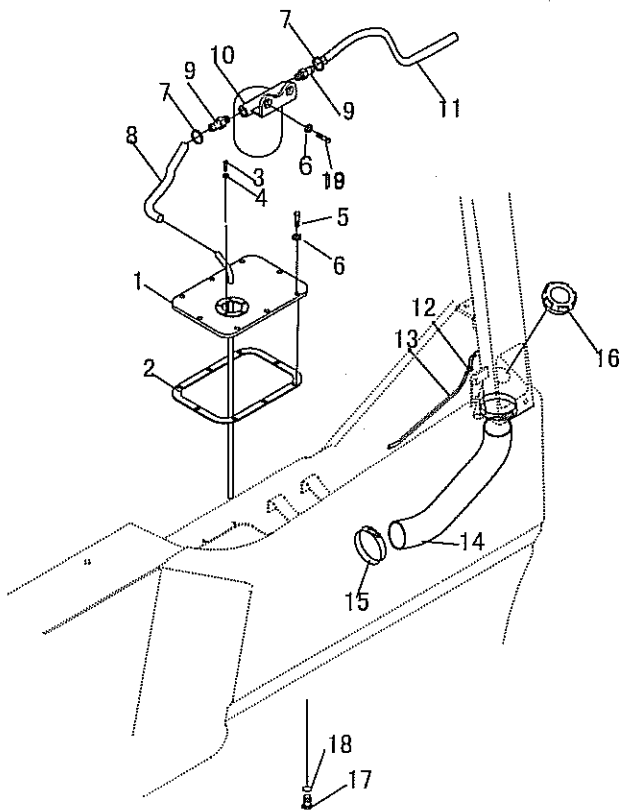


A20

## 燃油系统(汽油机)/FUEL SYSTEM (GASOLINE)

图20/F1G20

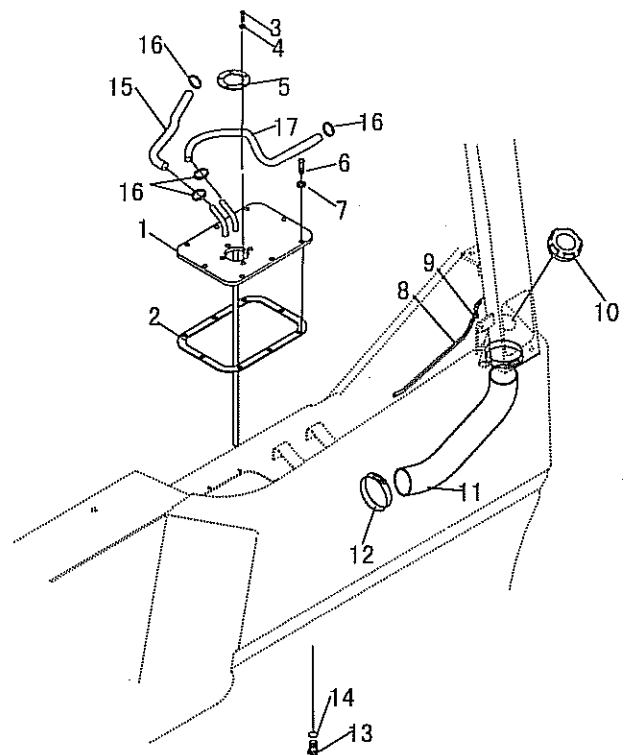
CP0D40, 45, 50-R



序号 Item No	图号 Part No	零部件名称 Description	件数 Qty	备注 Remark
01	A3202-20201	Cover, tank 燃油箱盖总成	1	
02	A01D2-22001	Shim 垫	1	
03	B1010-08016	Screw 螺钉M5X12	5	GB65-85
04	B5052-00005	Washer 垫圈5	5	GB93-87
05	B0110-05012	Bolt 螺栓M8X20	8	GB5781-86
06	B5052-00008	Washer 垫圈8	10	GB93-87
07	Z4590-00014	Clip 双钢丝喉箍14#	4	JB/Zq3776-86
08	Z7310-10032	Trbe 胶管10X14X320	1	HG4-548-67
09	A3202-22011	Nipple 接头	2	
10	282	Sedimentor 汽油滤清器	1	282
11	Z7300-10032	Trpe 胶管 10X14X200	1	HG4-548-67
12	Z4590-00019	Clip 双钢丝喉箍19#	2	JB/ZQ3776-86
13	Z7310-12032	Trpe 胶管12X2X320	1	HG4-548-67
14	A01D2-22031	House, fuel 燃油管	1	
15	Z4590-00058	Clip 双钢丝喉箍58#	2	JB/ZQ3776-86
16	A01D2-22011	Cap 燃油盖总成	1	
17	A01D7-52011	Plug 放油螺塞	1	
18	Z6700-03030	Shim 垫圈30	1	GB982-77
19	B0110-08025	Bolt 螺栓M8X25	2	GB5781-86

序号 Item No	图号 Part No	零部件名称 Description	件数 Q'ty	备注 Remark
01	A01D2-20201	Cover, tank 燃油箱盖总成	1	
02	A01D2-22001	Shim 垫	1	
03	B1010-05020	Screw 螺钉M5X12	5	GB65-85
04	B5052-00005	Washer 垫圈	5	GB93-87
05	A01D2-22011	Shim 垫	1	
06	B0110-08016	Bolt 螺栓M8X16	8	GB5781-86
07	B5052-00008	Washer 垫圈	8	GB93-87
08	Z7300-12032	Hose, fuel 管子12X2X320	1	HG4-548-86
09	Z4590-00012	Clip 胶管夹	2	JB/ZQ3776-86
10	A01D2-20301	Cap 燃油盖总成	1	
11	A01D2-22031	Hose 燃油管	1	
12	Z4590-00048	Clip 胶管夹58~65	2	JB/ZQ3776-86
13	A01D7-52011	Plug 放油螺塞	1	
14	Z6700-03027	Shim 垫圈	30	JB982-77
15	Z7300-10050	Hose, fuel 管子10X2X500	1	HG4-548-86
16	Z4590-00012	Clip 胶管夹12	4	JB/ZQ3776-86
17	Z7300-10063	Hose, fuel 管子10x2X630	1	HG4-548-67

CPCD40, 45, 50-W  
CPCD40, 45, 50-L2  
CPCD40, 45, 50-WF  
CPC40-C



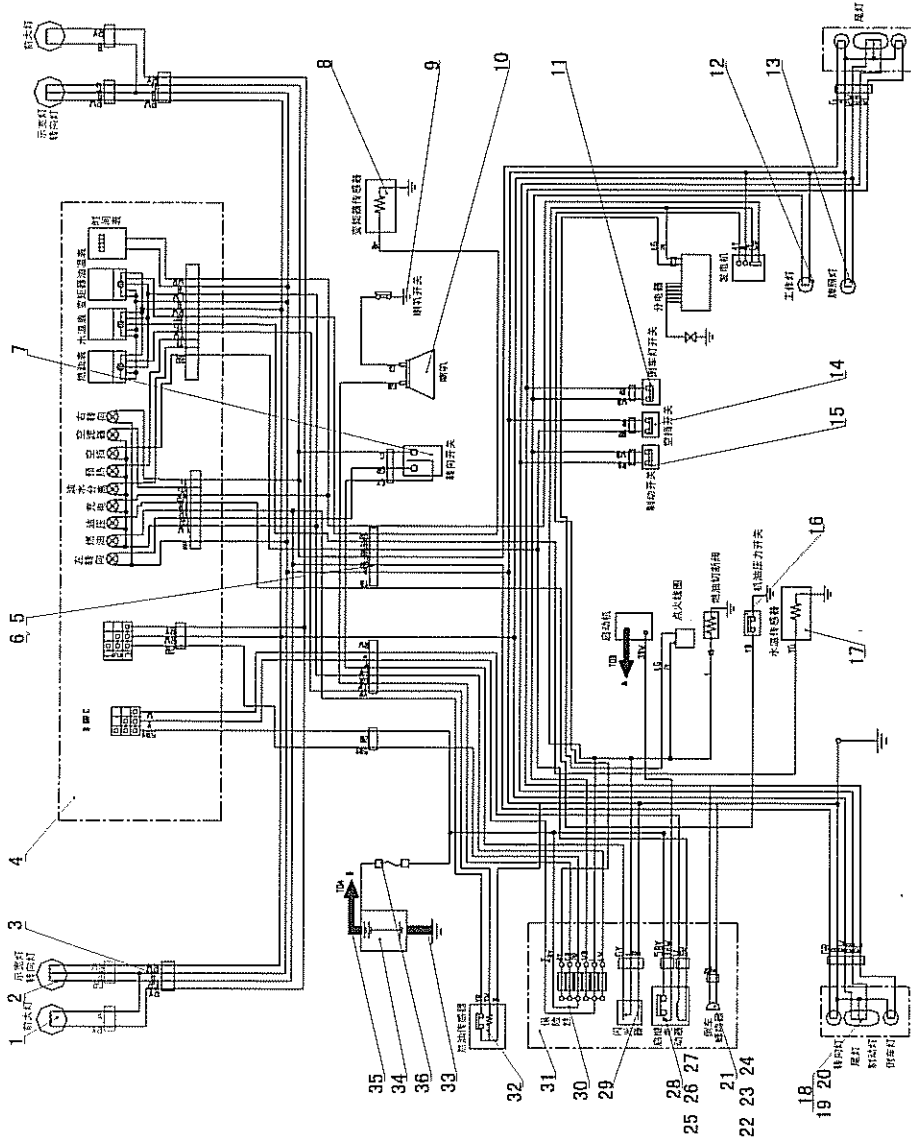
A

B1

## 电气系统/ELECTRIC SYSTEM (GASOLINE)

图22/F1G22

CPQD40, 45, 50-R

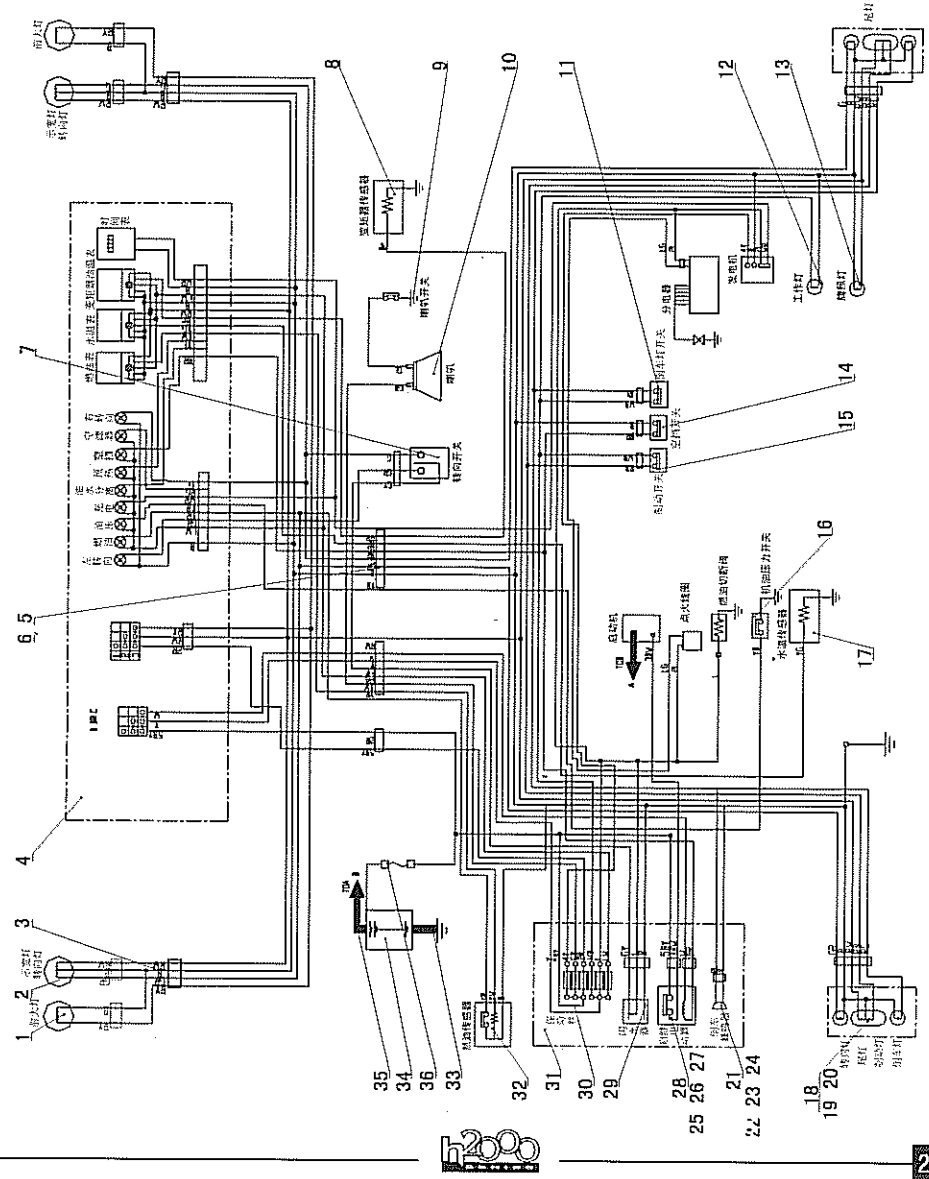


序号 Item No	图号 Part No	零部件名称 Description	件数 Q'ty	备注 Remark
01	A31D2-40201	Head lamp ass'y 前大灯12V	2	
02	A31D2-40211	Head combination lamp ass'y 前小灯12V	2	
03	A32C2-42011	Head guard harness 护顶架线束	2	
04	A31D2-40401	Meter panel ass'y 组合仪表盘	1	
05	A32C2-40202	Meter harness 仪表线束	1	
06	A32C2-40302	Engine harness 发动机线束	1	
07	A01D2-40611	Switch turn signal 转向开关	1	
08		Clutch oil temp sensor 变矩器油温传感器	1	
09		Horn switch 喇叭开关	1	
10	A31D2-40501	Horn 喇叭12V	1	DL124EG
11		Rear lamp switch 倒车灯开关	1	
12	E31D2-40301	Work lamp 工作灯12V	1	
13	E31D2-40501	Lisense lamp 牌照灯12V	1	
14		Neutral switch 空档开关	1	
15	A31D2-40601	Switch, stop lamp 制动开关	1	Jk231
16		Pressure switch 机油压力开关	1	
17	A01D2-40721	Water temp sensor 水温传感器	1	
18	A31D2-40221	Rear combination lamp ass'y 后组合灯	2	
19	22492-40020a	Rear lamp shim 后组合灯垫	2	
20	A33D2-40502	Rear lamp harness 后组合灯线束	2	
21	A32C2-42051	Reverse buzzer 倒车蜂鸣器	1	DJB-12B
22	B0010-08016	Bolt 螺栓M8X16	1	GB5780-86
23	B4116-00008	Nut 螺母8	1	GB6170-86
24	B5050-00008	Washer 垫圈8	1	GB93-85
25	A31D2-41241	Relay 起动继电器	1	DJ 131
26	B1110-06010	Screw 螺钉M6X10	3	GB67-85
27	B5050-00006	Washer 垫圈6	3	GB93-87
28	B5210-00006	Shim 垫圈6	3	GB97.1-86
29	A31D2-41231	Flasher unit 闪光器	1	SG 126-12V
30	A01D2-41211	Fuse unit 保险器	1	BX 5061

B

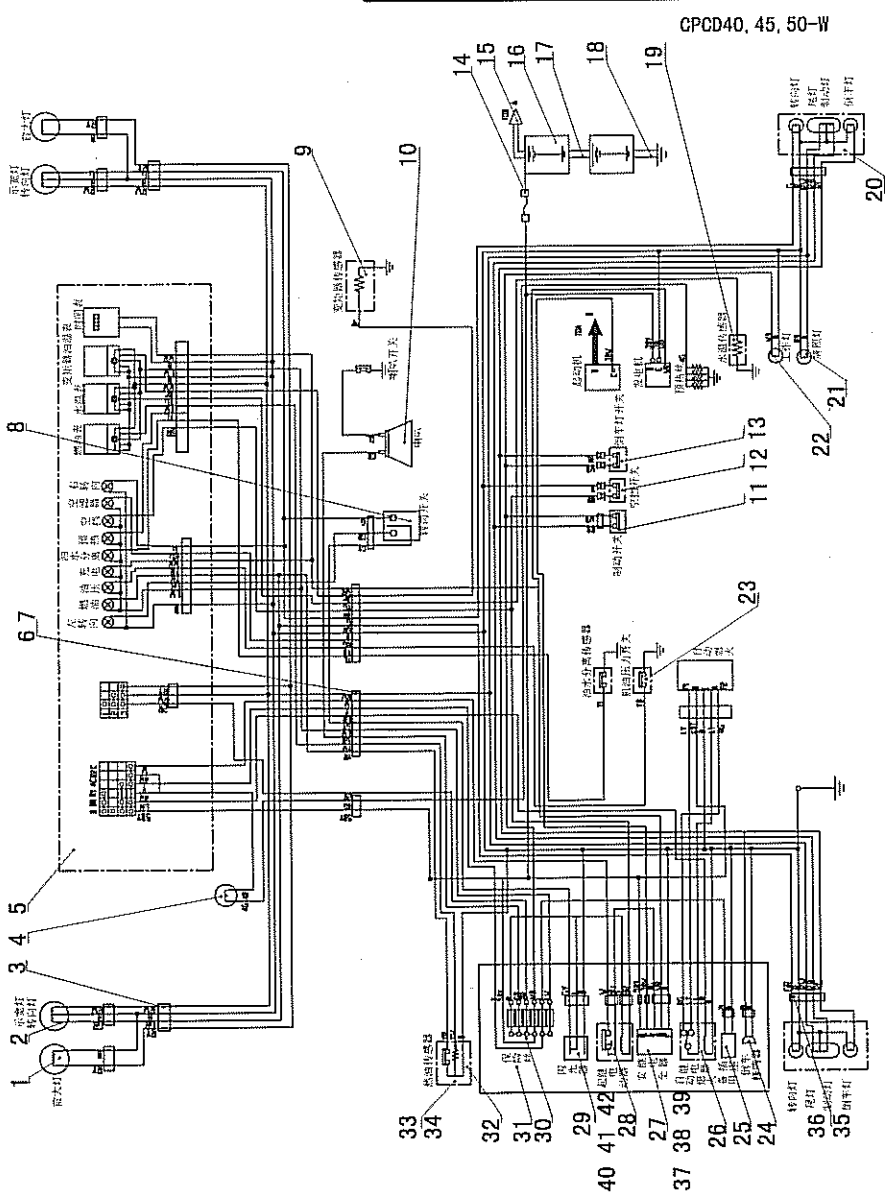
序号 Item No	图号 Part No	零部件名称 Description	件数 Qty	备注 Remark
31	A32C2-40401	Bracket 元件安装板	1	
32	A01D2-40731	Fuel lever sending unit 燃油传感器	1	
33	HRA91A2402 A91A2-40600	Cable (-) 蓄电池接地线	1	
34	A33D2-40401	battery 蓄电池	1	H100
35	HRA91A2402 A91A2-40600	Cable (+) 蓄电池电源线	1	
36	A01D2-41001	Fusibl link wire 易熔丝	1	

CPQD40, 45, 50-R



B

CPCD40, 45, 50-W



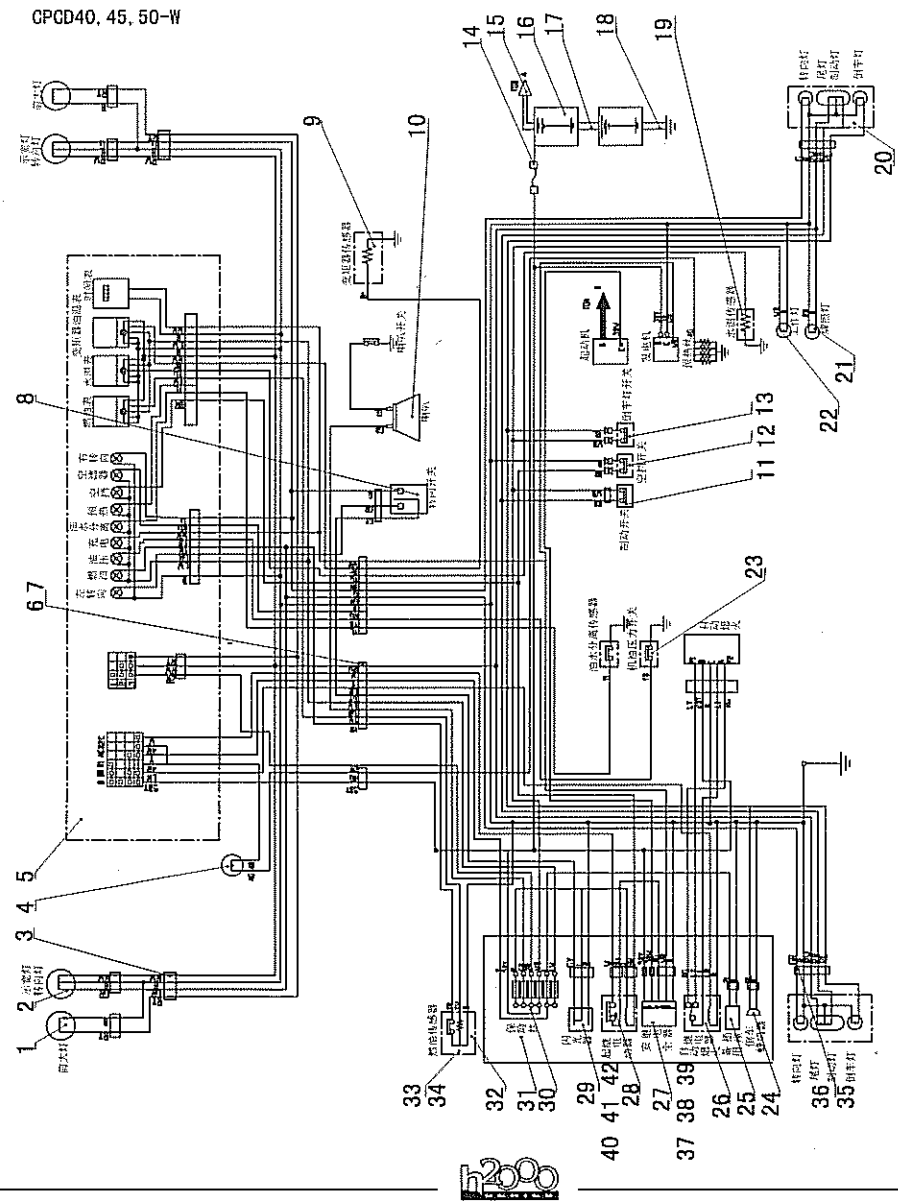
序号 Item No	图号 Part No	零部件名称 Description	件数 Q'ty	备注 Remark
01	A31D2-40201	Head lamp ass'y 前大灯24V	2	
02	A31D2-40211	Head combination lamp ass' 前组合灯24V	2	
03	A32C2-42011	Head guard harness 护顶架线束	2	
04		Warm-up display 预热显示器	1	
05	A31D2-40401	Meter panel ass'y 组合仪表盘24V	1	
06	A33D2-40202	Meter harness 仪表线束	1	
07	A33D2-40302	Engine Harness 发动机线束	1	
08		Switch, turn signal 转向开关	1	
09	A10D2-40701	Clutch oil temp senso 变矩器油温传感器	1	
10	A01D2-40501	Horn 喇叭24V	1	DL38A-24
11	A31D2-40601	Switch, stop lamp 制动开关	1	Jk231
12		Neutral switch 空档开关	1	
13		Reverse lamp switch 倒车灯开关	1	
14	A01D2-41001	Fusibl link wire 易熔丝	1	
15	REF104162 25952-42041G	Cable(+) 蓄电池电源线	1	
16	A33D2-40401	Battery 蓄电池	2	65D31RMF
17	REF104162 A33D2-40601	Cable connect 蓄电池串联线	1	
18	REF104162 23912-42111G	Cable(-) 蓄电池接地线	1	
19	A01D2-40721	Water temp sensor 水温传感器M16X1.5	1	
20	A31D2-40221	Rear combination lamp ass'y 后组合灯	2	
21	E31D2-40501	License lamp 牌照灯24V	1	
22	E31D2-40301	Work Lamp 工作灯24V	1	
23		Pressure switch 机油压力开关	1	
24	A32C2-42051	Reverse buzzer 倒车蜂鸣器24V	1	
25		Spare Plug 备用插座	1	DJ70321-6.3-20
26		Relay 自动熄火继电器	1	
27		Relay 安全继电器	1	
28		Relay 空档保护继电器	1	
29	A31D2-41231	Flasher unit 闪光器	1	SG262
30	A01D2-41211	Fuse unit 保险器	1	BX 506

图23/FIG23

电气系统/ELECTRIC SYSTEM(DIESEL)

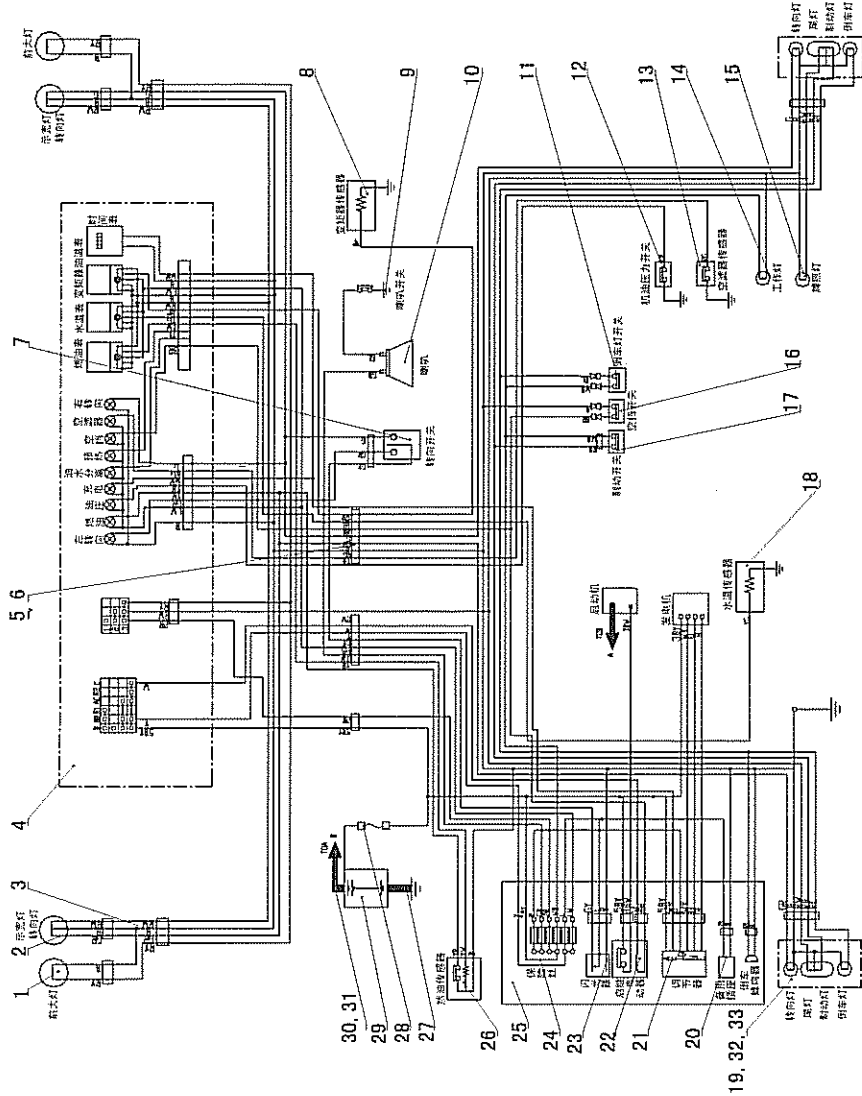
B2

序号 Item No	图号 Part No	零部件名称 Description	件数 Qty	备注 Remark
31	A33D2-40401	Bracket	1	元件安装板
32	A01D2-40731	Fuel lever sending unit	1	燃油传感器 8211
33	DJ7031-6.3-10	3-wire composite plug	1	三线复合插头
34	DJ7061-6.3-10	3-wire composite plug	1	六线复合插头
35	A33D2-40501	Rear lamp harness	2	后组合灯线束
36	22492-40020a	Rear lamp shim	2	后组合灯垫
37	B0010-08016	Bolt	3	螺栓M8X16 GB5780-86
38	B4116-00008	Nut	3	螺母M8 GB6170-86
39	B5050-00008	Washer	3	垫圈8 GB93-87
40	B1110-06010	Screw	4	螺钉M6X10 GB67-85
41	B5050-00006	Washer	4	垫圈6 GB93-87
42	B5210-00006	Shim	4	垫圈6 GB97.1-85



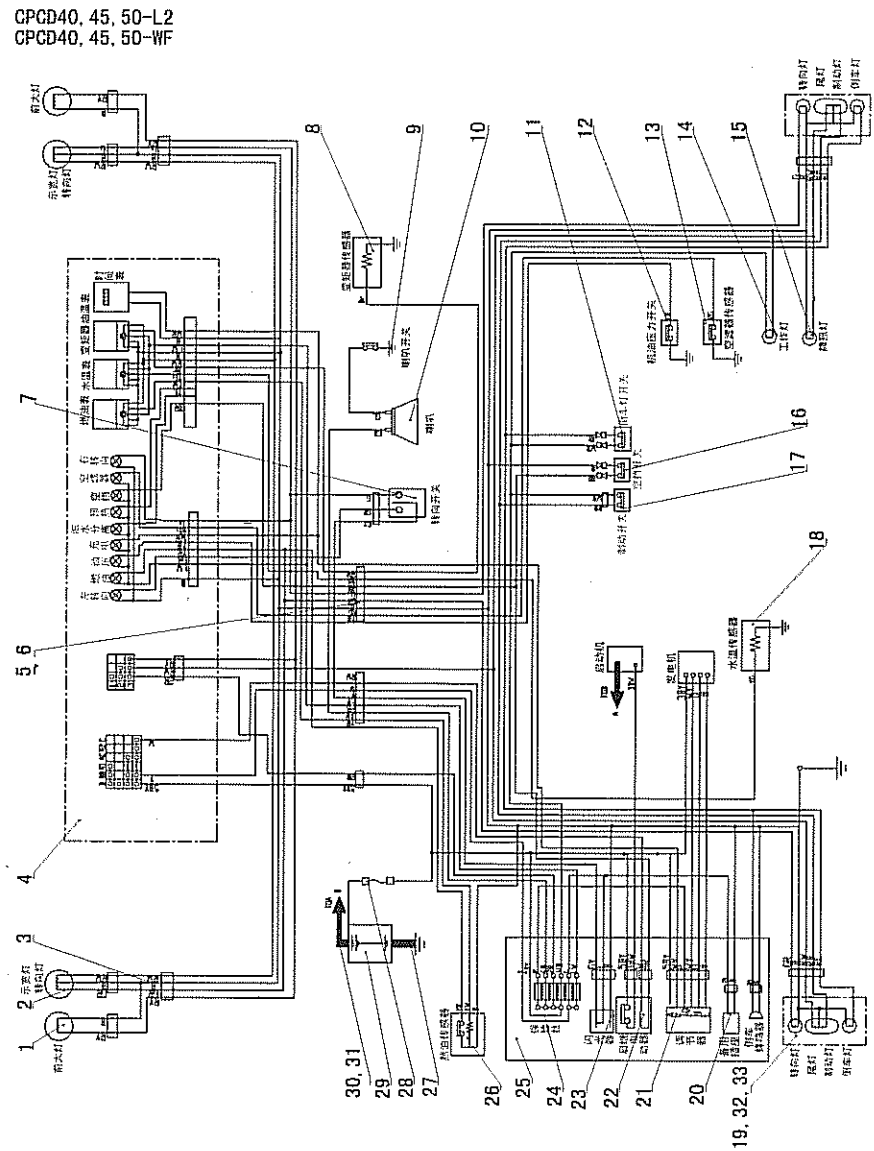
B



CPCD40, 45, 50-L2  
CPCD40, 45, 50-WF

序号 Item No	图号 Part No	零部件名称 Description	件数 Q'ty	备注 Remark
01	A31D2-40201	Head lamp ass'y 前大灯24V	2	
02	A31D2-40211	Head combination lamp ass' 前组合灯24V	2	
03	A32C2-42011	Head guard harness 护顶架线束	2	
04	A31D2-40401	Meter panel ass'y 组合仪表盘24V	1	
05	A03D2-40201	Meter harness 仪表线束	1	
06	A03D2-40301	Engine Harness 发动机线束	1	
07	A01D2-40611	Switch, turn signal 转向开关	1	
08		Clutch oil temp senso 离合器油温传感器	1	
09		Switch, horn 喇叭开关	1	
10	A01D2-40501	Horn 喇叭24V	1	DL38A-24
11		Reverse lamp Switch 倒车灯开关	1	
12		Pressure switch 机油压力开关	1	8322
13	A32C2-42041	Sensor, air cleaner 空滤器传感器	1	
14	E31D2-40301	Work lamp 工作灯	1	
15	E31D2-40501	License lamp 牌照灯	1	
16		Neutral switch 空档开关	1	
17	E31D2-40601	Switch, stop lamp 制动开关	1	
18		Water temp sensor 水温传感器	1	
19	A31D2-40221	Rear combination lamp 后组合灯	2	
20	A32C2-42051	Reverse buzzer 倒车蜂鸣器	1	
21	A03D2-40401	Adjuster 调节器	1	
22	A31D2-41241	Relay 启动继电器	1	
23	A31D2-41231	Flasher unit 闪光器	1	SG 262
24	A01D2-41211	Fuse unit 保险器	1	BX 506
25	A03D2-40501	Bracket 电器安装板	1	
26	A01D2-40731	Fuel lever sending unit 燃油传感器	1	
27	REF104162 23912-42111G	Cable (-) 蓄电池接地线	1	
28	A01D2-41001	Fusibl link wire 易熔丝	1	
29	A33D2-40401	Battery 蓄电池	2	65D31RMF
30	REF104162 25952-2041G	Cable (+) 蓄电池电源线	1	

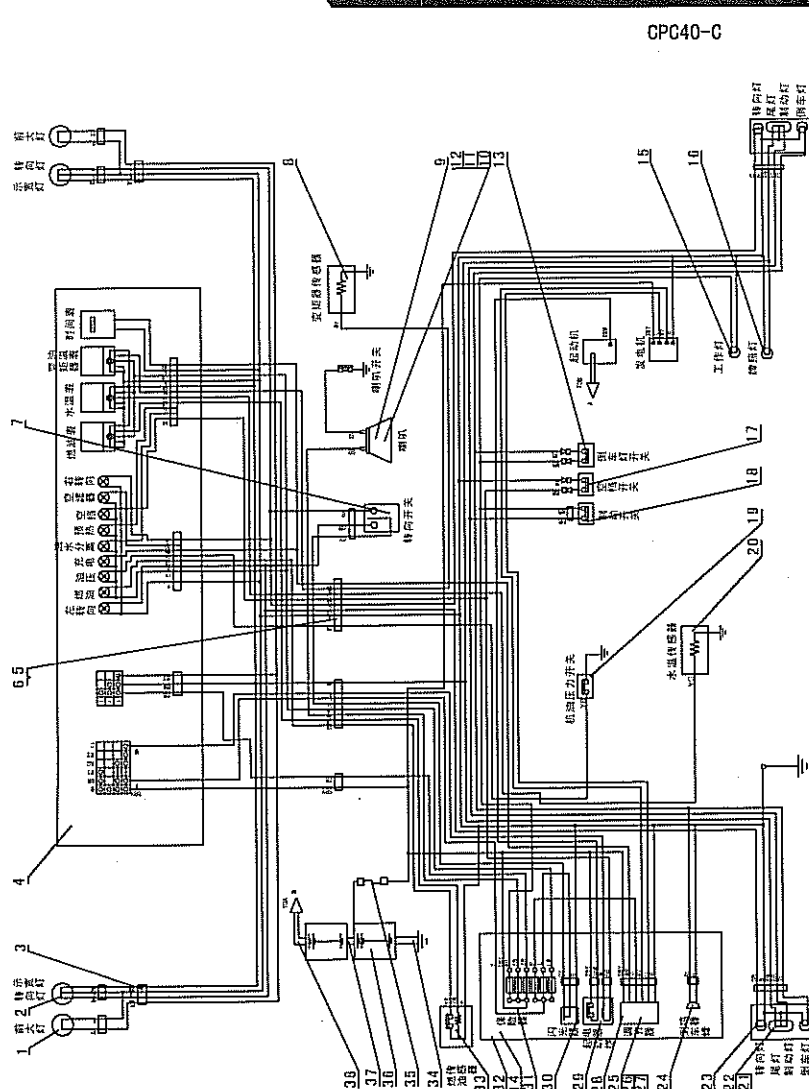
序号 Item No	图号 Part No	零部件名称 Description	件数 Qty	备注 Remark
31	REF104162 A33D2-40601	Cable, connect	蓄电池串联线	1
32	22492-40020a	Rear lamp shim	后组合灯垫	2
33	A33D2-40502	Rear lamp harness	后组合灯线束	2



B

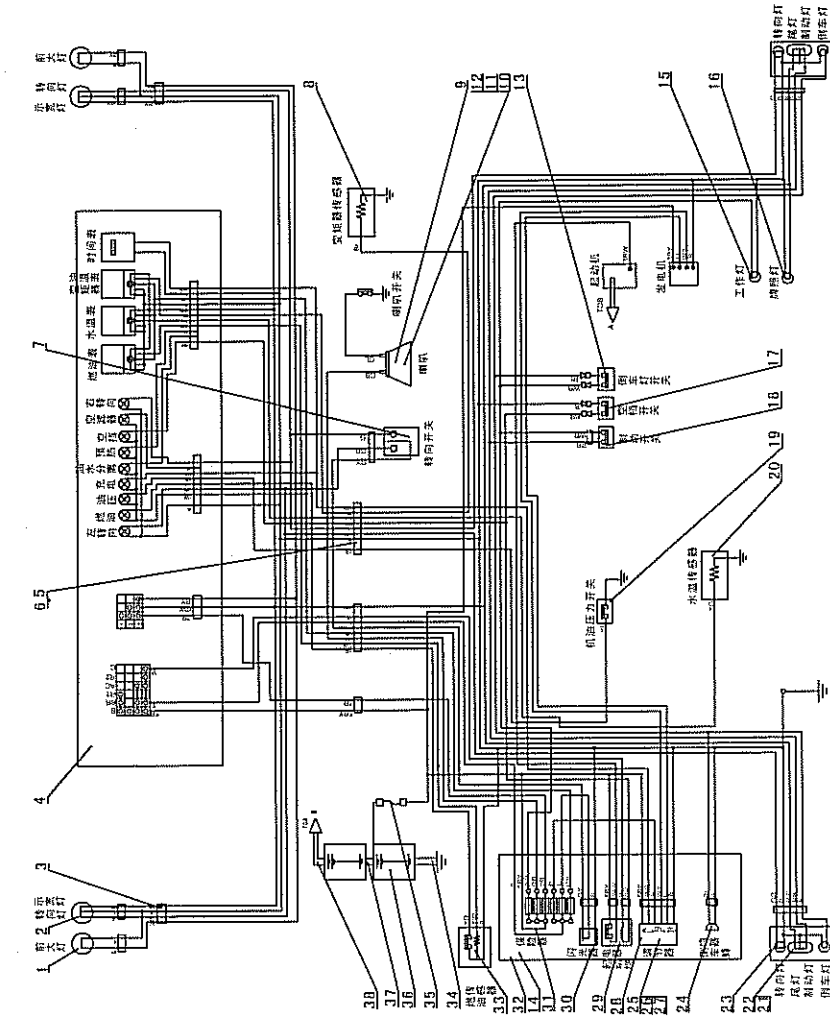






序号 Item No.	图号 Part No.	零部件名称 Description	件数 Q'ty	备注 Remark
01	A31D2-40201	Head lamp ass'y 前大灯24V	2	
02	A31D2-40211	Head lamp ass'y 前小灯24V	2	
03	A32C2-42011	Head guard harness 护顶架线束	2	
04	A31D2-40401	Meter panel ass'y 组合仪表盘24V	1	
05	A03D2-40201	Meter harness 仪表线束	1	
06	A03R2-40201	Engine harness 发动机线束	1	
07	A01D2-40611	Switch, turn signal 转向开关	1	
08	A01D2-40701	Clutch sensor 变矩器传感器	1	
09	A01D2-40501	Horn 喇叭	1	DL38A-24
10	B0010-08016	Bolt 螺栓M8X16	4	GB5780-86
11	B4116-00008	Nut 螺母8	4	GB6170-86
12	B5050-00008	Washer 垫圈8	4	GB93-87
13	G0602-40011	Switch, stop lamp 倒车灯开关	1	
14	H24C2-42131	Spiral bevel gear 固定可松开式锁式扎带	19	
15	E31D2-40301	Work lamp 工作灯24V	1	
16	E31D2-40501	License lamp 牌照灯24V	1	
17	G0602-40021	Neutral switch 空档开关	1	
18	A31D2-40601	Switch, stop lamp 制动开关	1	JK231
19	G0612-40011	Pressure switch 机油压力开关	1	
20	A01D2-40721	Water temp sensor 水温传感器	1	
21	22492-40020a	Rear lamp shim 后组合灯垫	2	
22	A33D2-40502	Rear lamp harness 后组合灯线束	1	
23	A31D2-40221	Rear combination lamp ass'y 后组合灯24V	2	
24	A32C2-42051	Reverse buzzer 倒车风鸣器	1	
25	B1110-06010	Screw 螺钉M8X10	3	GB67-85
26	B5050-00006	Washer 垫圈6	3	GB93-87
27	B5210-00006	Washer 垫圈6	3	GB96-85
28	D07JFT147-28	Water temp sensor 调节器	1	
29	D07JQ1030/04-24	Relay 起动继电器	1	
30	A31D2-41231	Flasher unit 闪光器24V	1	SG252

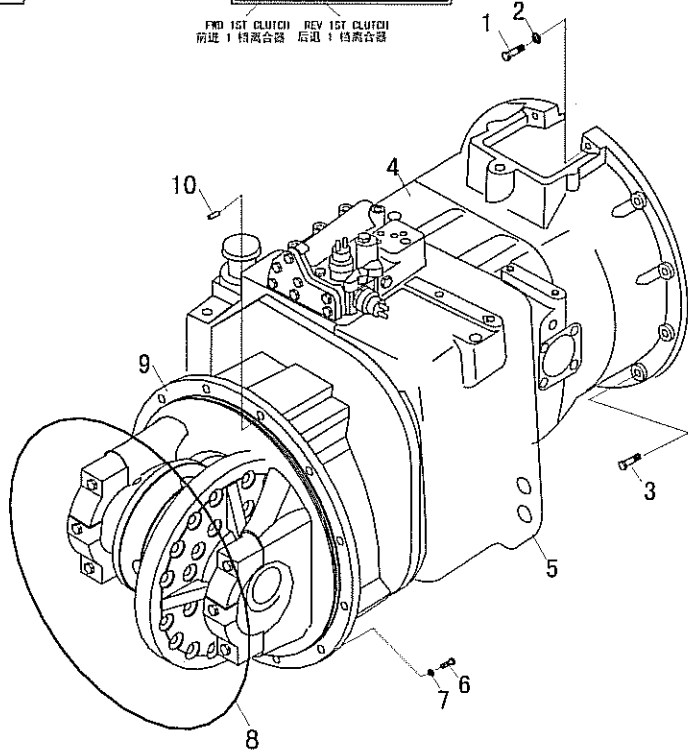
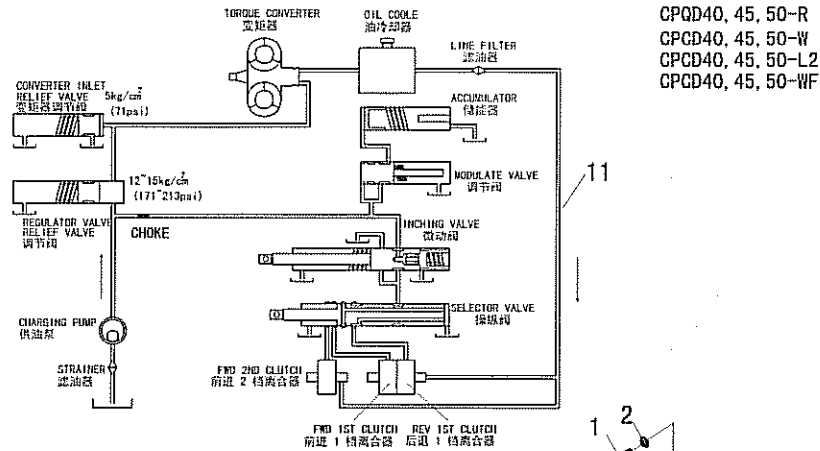
序号 Item No.	图号 Part No.	零部件名称 Description	件数 Q'ty	备注 Remark
31	D0613X2083XA	Fuse unit 保险器	1	BX2083XA
32	A03D2-40501	Brecket 电器安装板	1	
33	A32C2-40502	Fuel lever sending unit 燃油传感器	1	
34	REF104162 23912-42111G	Cable(-) 蓄电池接地线	2	
35	A01D2-41001	Fusibl link wire 易熔丝	1	
36	A33D2-40401	Battery 蓄电池	2	65D31RMF
37	REF104162 A33D2-40601	Cable connect 蓄电池串联线	1	
38	REF104162 25952-42041G	Washer 蓄电池电源线	1	



01

## 传动装置安装(液力车) / DRIVE UNIT MOUNT (HYDRAULIC FORKLIFT)

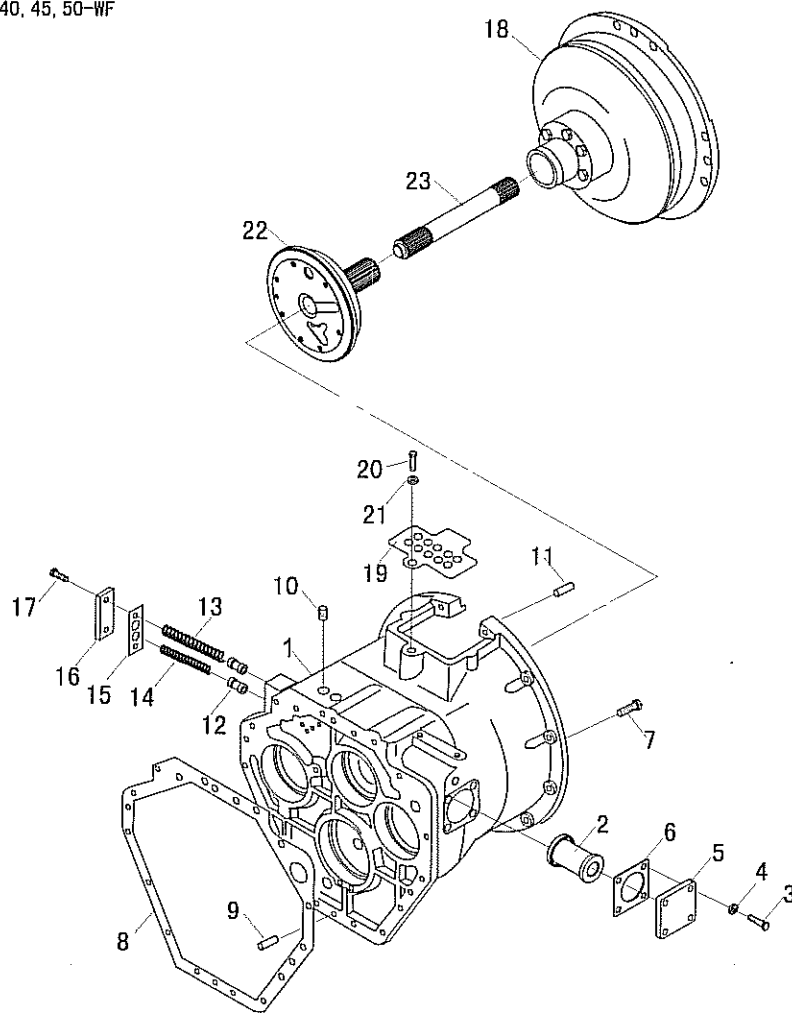
图26F/G26



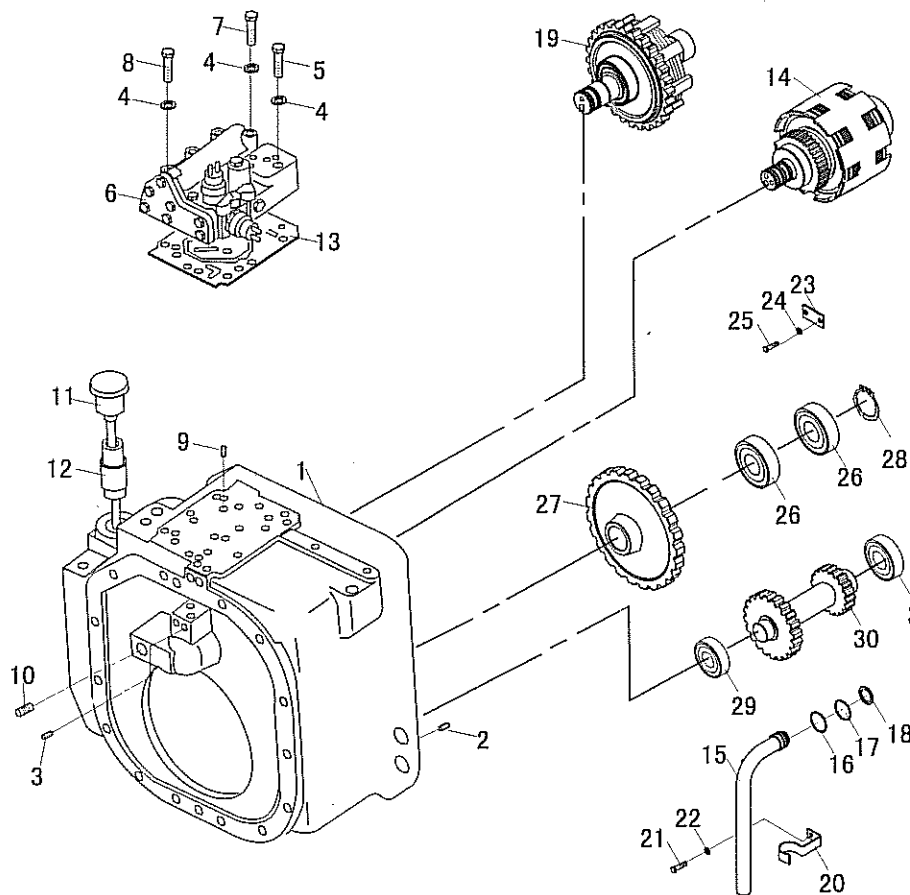
序号 Item No	图号 Part No	零部件名称 Description	件数 Q'ty	备注 Remark
01	B0430-10045	Bolt 螺栓M10X1.25X45	13	GB5785-86
02	B5052-00010	Washer 垫圈10	23	GB93-87
03	B0230-10020	Bolt 螺栓M10X20	10	GB5782-86
04	124U2-50001A	Drive unit sub ass'y A 变速箱部件A	1	SEE FIG22
05	124U2-50001B	Drive unit sub ass'y B 变速箱部件B	1	SEE FIG23
06	B0430-12035	Bolt 螺栓M12X1.25X35	12	GB5785-86
07	B5052-00012	Washer 垫圈12	12	GB93-87
08	Z6051-40004	O-ring O形圈400X5.3	1	GB3452.1-92
09	124T3-50001	Reduction & Differential 差速器总成	1	SEE FIG27
10	B3120-10020	Pin 圆柱销10X20	35	GB119-86
11	A32C3-80301	Oil elements 油路原理图	1	

序号 Item No	图号 Part No	零部件名称 Description	件数 Qty	备注 Remark
A	124U2-50001A	Drive unit sub ass'y A 变速箱部件A	1	
01	128E3-82001	Case, tor-com 4.5t变矩器壳体	1	
02	124U3-82521	Oil filter 滤油器	1	
03	B0430-10020	Bolt 螺栓M10X1.25X20	4	GB5785-86
04	B5053-00010	Washer 垫圈10	21	GB93-87
05	124U3-82081	Cover 盖板	1	
06	124U3-82091	Shim 石棉垫	1	
07	B0430-10095	Bolt 螺栓M10X1.25X95	3	GB5895-86
-	B0430-10030	Bolt 螺栓M10X1.25X30	10	GB5785-86
-	B0430-10070	Bolt 螺栓M10X1.25X70	2	GB5785-86
08	124U3-82101	Shim 垫片	1	
09	B3122-10020	Pin 圆柱销B10X20	2	GB119-86
10	24329-45541	Plug 螺塞(3/8")	2	
11	124U3-82431	Pin 圆柱销	2	
12	15943-82271	Piston 活塞	2	
13	12943-82281	Spring 弹簧	1	
14	12943-82291	Spring 弹簧	1	
15	12943-82311	Shim 垫片	1	
16	12943-82301	Cover 盖板	1	
17	B0430-10025	Bolt 螺栓M10X1.25X25	2	GB5785-86
18	124U3-80211	Clutch, hydraulic 液力变矩器	1	
19	124U3-82311	Cover 盖板	1	
20	B0110-16025	Bolt 螺栓M16X25	1	GB5781-86
21	B5053-00016	Washer 垫圈16	1	GB93-87
22	124U3-80221	Charging pump 供油泵	1	SEE FIG28
23	124U3-82041	Shaft, turbo 涡轮轴	1	

CPQD40, 45, 50-R  
CPCD40, 45, 50-W  
CPCD40, 45, 50-L2  
CPCD40, 45, 50-WF

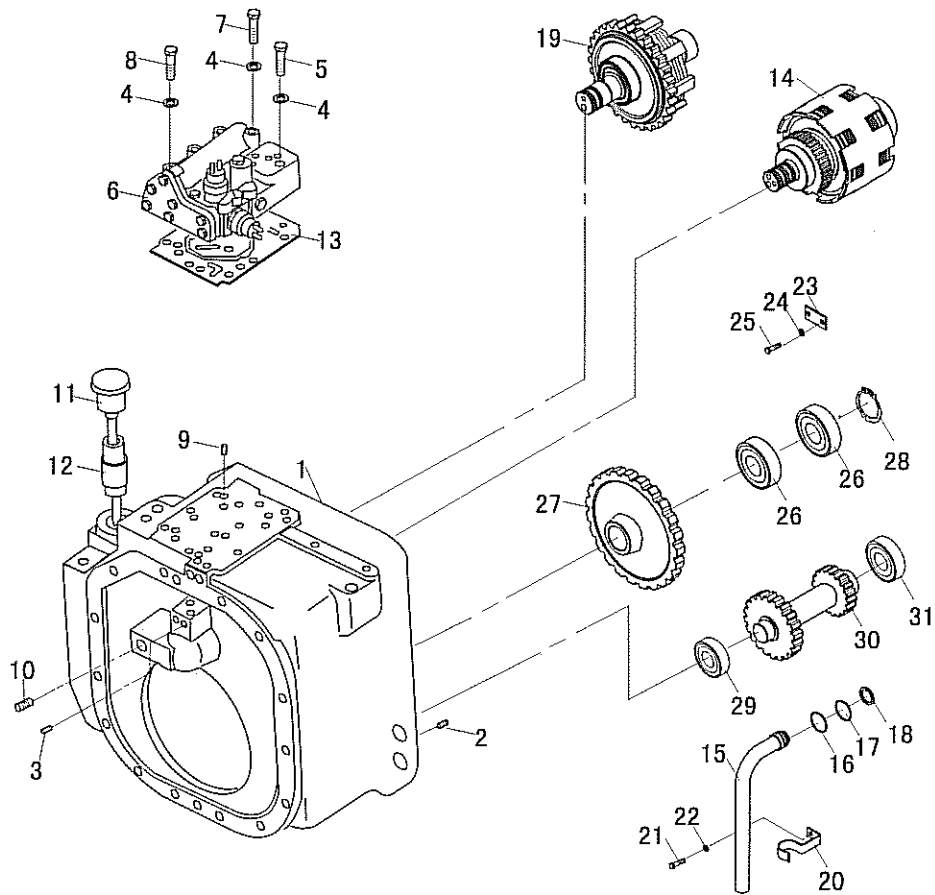


CPQ40, 45, 50-R  
CPC40, 45, 50-W  
CPC40, 45, 50-L2  
CPC40, 45, 50-WF



序号 Item No	图号 Part No	零部件名称 Description	件数 Q'ty	备注 Remark
A	124U2-50001B	Drive unit sub ass'y 变速箱部件B	1	
01	128E3-82011	Case, transmission 4.5T变速箱箱体	1	
02	27397-52011	Plug 螺塞(3/4")	2	
03	23870-52781	Plug 螺塞(1/8")	12	
04	B5052-00008	Washer 垫圈B	8	GB93-87
05	B0220-08065	Bolt 螺栓M8X65	4	GB5782-86
06	128E3-80271	Control valve, ass'y 控制阀总成	1	SEE FIG26
07	B0220-08080	Bolt 螺栓M8X80	1	GB5782-86
08	B0220-08055	Bolt 螺栓M8X55	3	GB5782-86
09	15793-82861	Plug 阻尼螺塞(1/8")	1	
10	24329-45541	Plug 螺塞(3/8")	4	
11	12163-82232	Dipstick 油标	1	
12	124U3-82301	Pipe oil fill 加油管	1	
13	124U3-82291	Shim 垫片	1	
14	128E3-80231	Clutch 离合器I	1	SEE FIG24
15	124U3-82201	Pipe 吸油管总成	1	
16	Z6003-03703	O-ring seal O型圈37X3.1	1	GB1235-76
17	Z6003-03003	O-ring seal O型圈30X3.1	1	GB1235-76
18	B6152-00035	Snap ring 挡圈35	1	GB894.1-86
19	128E3-80251	Clutch 离合器II	1	SEE FIG25
20	124U3-82211	Clip 固定卡板	1	
21	B0220-10010	Bolt 螺栓M10X10	1	GB5782-86
22	B5052-00010	Washer 垫圈10	1	GB93-87
23	124T3-42251	Plate 挡板	1	
24	B5052-00008	Washer 垫圈B	2	GB93-87
25	B0520-08016	Bolt 螺栓M8X1.25X16	2	GB5786-86
26	Z-214	Bearing 轴承214	2	GB276-82
27	124T3-42122	Gear 大齿轮	1	
28	B6152-00070	Snap ring 挡圈70	1	GB894.1-86
29	Z-308	Bearing 轴承308	1	GB276-82

序号 Item No	图号 Part No	零部件名称 Description	件数 Qty	备注 Remark	GP040, 45, 50-R CPC40, 45, 50-W CPC40, 45, 50-L2 CPC40, 45, 50-WF
30	128E3-82021	Gear 双联齿轮	1		
31	Z-310	Bearing 轴承310	1	GB276-82	



C

C4

## 液力离合器1/HYDRAULIC CLUTCH 1

图29/F1 G29

CPQD40, 45, 50-R  
 GPCD40, 45, 50-W  
 GPCD40, 45, 50-L2  
 GPCD40, 45, 50-WF

序号  
 Item  
 No

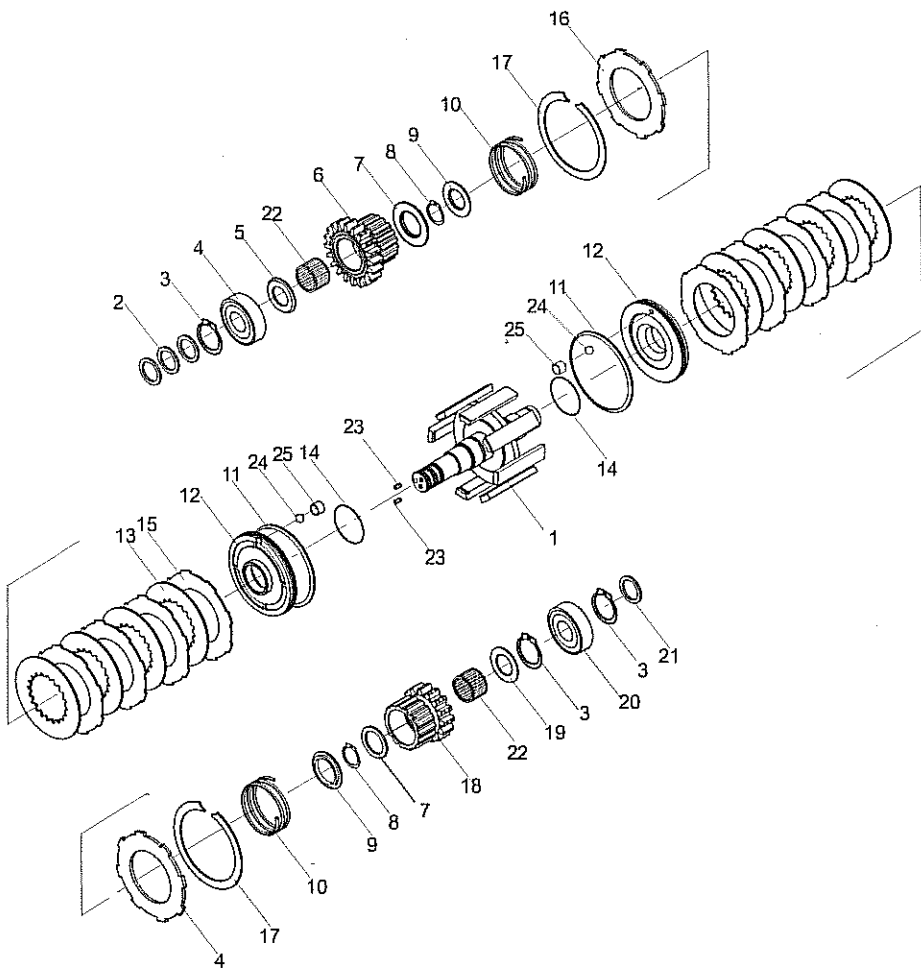
图号  
 Part No

零部件名称  
 Description

件数  
 Qty

备注  
 Remark

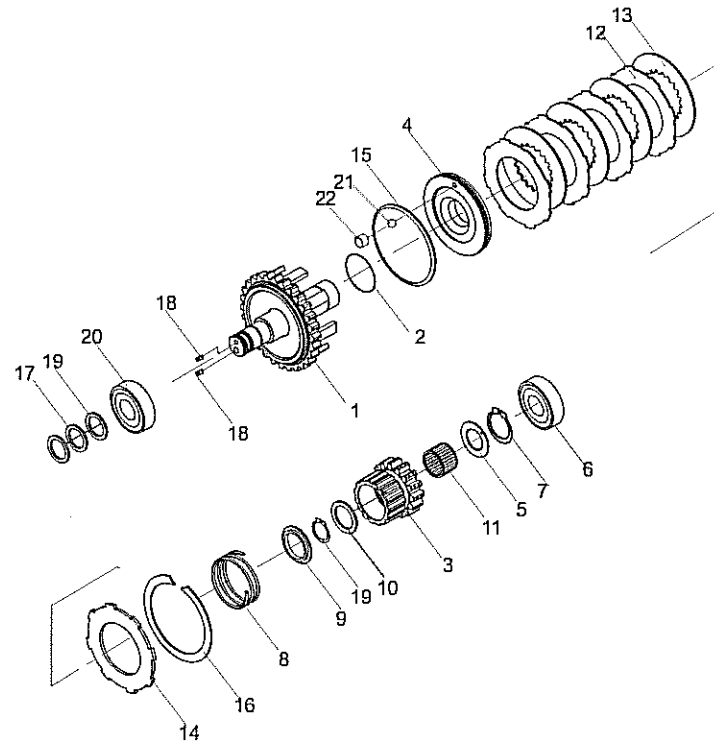
A	128E3-80231	Clutch	离合器1	1	
01	128E3-80241	Shaft ass'y	轴总成	1	
02	15943-82501	Ring, seal	密封圈	3	
03	B6150-00040	Snap, ring	挡圈40	1	GB894.1-86
04	Z-308	Bearing	轴承308(90X40X23)	1	GB276-82
05	15943-82431	Ring, thrust	止推环	1	
06	124U3-82011	Gear, reverse	后退齿轮	1	
07	15943-82411	Ring, thrust	止推环	2	
08	B6150-00050	Snap, ring	挡圈50	4	GB894.1-86
09	15943-82401	Seat, spring	弹簧座	2	
10	15943-82391	Spring	弹簧	2	
11	15943-82491	Ring, seal	密封环	2	
12	15943-82851	Piston	活塞	2	
13	124U3-82351	Plate, separator	隔片	12	
14	15943-82481	Ring, seal	密封环	2	
15	124U3-82351	Plate, friction ass'y	摩擦片总成	12	
16	15943-82471	Plate, separator	隔板	2	
17	15943-82511	Ring, snap	卡环	2	
18	128E3-82061	Gear, forward	前进齿轮1	1	
19	15943-82421	Ring, thrust	止推环	1	
20	Z-310	Bearing	轴承310(110X50X27)	1	GB276-82
21	124U3-82261	Ring	支撑环	1	
22	124U3-82251	Needle, bearing	滚针轴承	2	
23	23870-52871	Plug	螺塞	2	
24	11243-82121	Plug	塞	2	
25	Z1520-01008	Body	钢球1/8"	2	GB307-77



C

序号 Item No	图号 Part No	零部件名称 Description	件数 Qty	备注 Remark
A	128E3-80251	Clutch 离合器II	1	
01	128E3-80261	Shaft ass'y 轴总成	1	
02	15943-82481	Ring, seal 密封环	1	
03	128E3-82101	Gear, forward 前进齿轮	1	
04	15943-82851	Piston 活塞	1	
05	15943-82421	Ring, thrust 止推环	1	
06	Z-310	Bearing 轴承310(110X50X27)	1	GB276-82
07	B6150-00050	Snap, ring 挡圈50	2	GB894.1-86
08	15943-82391	Spring 弹簧	1	
09	15943-82401	Seat, spring 弹簧座	1	
10	15943-82411	Ring, thrust 止推环	1	
11	124U3-82251	Needle, bearing 滚针轴承	1	
12	124U3-82351	Plate, friction ass'y 摩擦片总成	6	
13	124U3-82361	Plate, separator 隔片	6	
14	15943-82471	Plate, end 端板	1	
15	15943-82491	Ring, seal 密封环	1	
16	15943-82511	Snap, ring 卡环	1	
17	15943-82501	Ring, seal 密封环	2	
18	23870-52871	Plug 螺塞	1	
19	B6150-00040	Snap ring 挡圈40	1	GB894.1-86
20	Z-308	Bearing 轴承308(90X40X23)	1	GB276-82
21	11243-82121	Plug 塞	1	
22	Z1520-01008	Body 钢球1/8"	1	GB37-77

CPQD40, 45, 50-R  
CPCD40, 45, 50-W  
CPCD40, 45, 50-L2  
CPCD40, 45, 50-WF



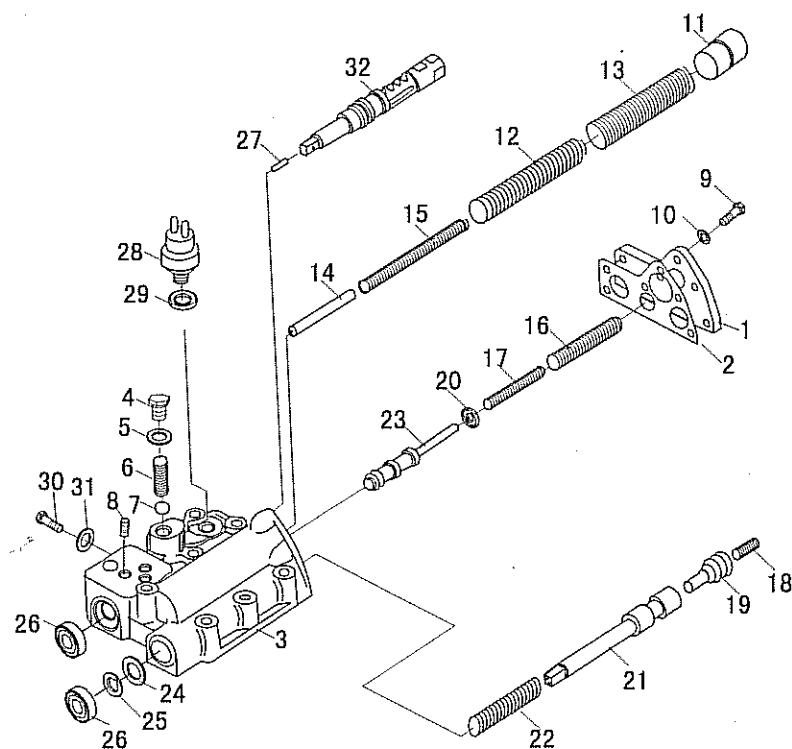


C6

## 控制阀/CONTROL VALVE

图31/F/G31

CPGD40, 45, 50-R  
CPCD40, 45, 50-W  
CPCD40, 45, 50-L2  
CPCD40, 45, 50-WF

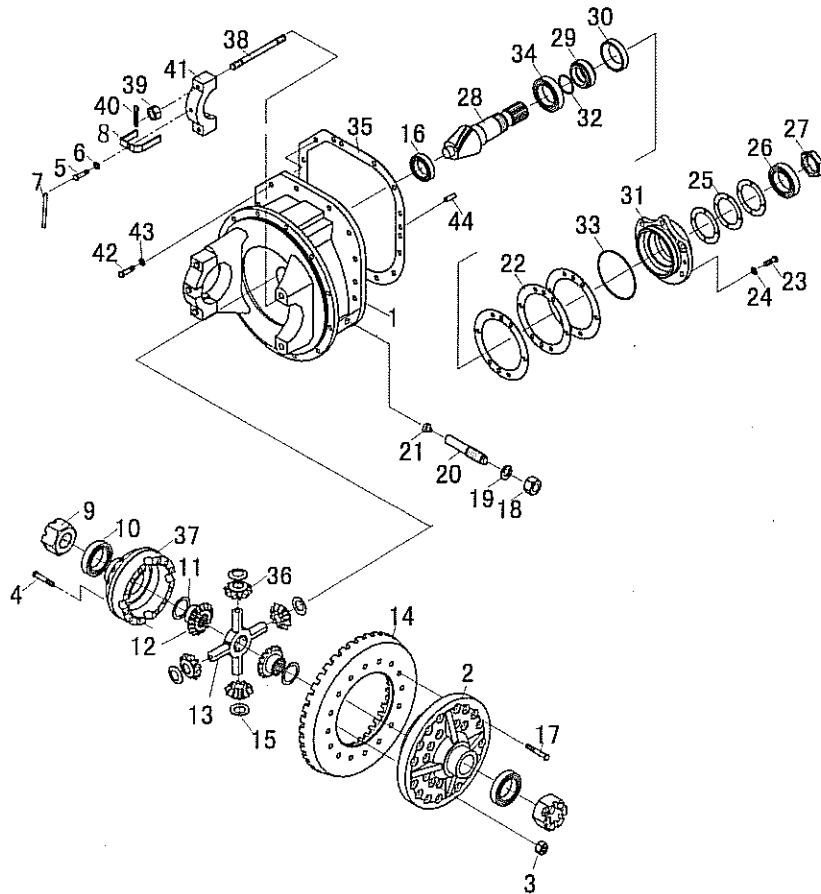


序号 Item No	图号 Part No	零部件名称 Description	件数 Q'ty	备注 Remark	
A	128E3-80271	Control valve, ass'y	1	控制阀总成	
01	15943-82811	Cover, valve	1	阀端盖	
02	15943-82821	Gasket	1	端盖垫片	
03	128E3-82281	Body, valve	1	阀体	
04	15583-82381	Plug	1	螺塞	
05	15943-82711	Washer	1	垫圈	
06	15843-52871 (REF341231)	Spring	1	弹簧	
07	B1520-13032	Ball steel	1	钢球13/32"	GB308-89
08	23870-52871 (REF341231)	Plug	4	螺塞	
09	B0332-08025	Bolt	7	螺栓M8X25	GB5783-86
10	B5052-00008	Washer, lock	7	弹簧垫圈	GB93-87
11	15943-82761	Piston	1	活塞	
12	15943-82791 (REF208654)	Spring	1	弹簧	
13	15943-82781 (REF208654)	Spring	1	弹簧	
14	15943-82771	Stopper	1	止动杆	
15	15943-82801 (REF208654)	Spring	1	弹簧	
16	15943-82741 (REF208654)	Spring	1	弹簧	
17	15943-82751 (REF208654)	Spring	1	弹簧	
18	15583-82052	Spring	1	弹簧	
19	15943-82631	Selector	1	滑阀	
20	15943-82911	Washer	1	垫圈	
21	15943-82621	Plunger	1	阀杆	
22	15943-82641 (REF208654)	Spring	1	弹簧	
23	15943-82731	Plunger	1	调节阀杆	
24	15943-82651	Washer	1	垫圈	
25	B6052-00030	Snap, ring	1	挡圈	GB893.1-86
26	H04-692-67	Seal, oil	2	油封 SG14X30X10	
-	15943-82661	Seal, oil	2	油封 SG14X30X10	
27	15943-82681	Plug	1	闷塞	
28	12003-42451	Reverse lamp switch	2	后退灯开关	

C

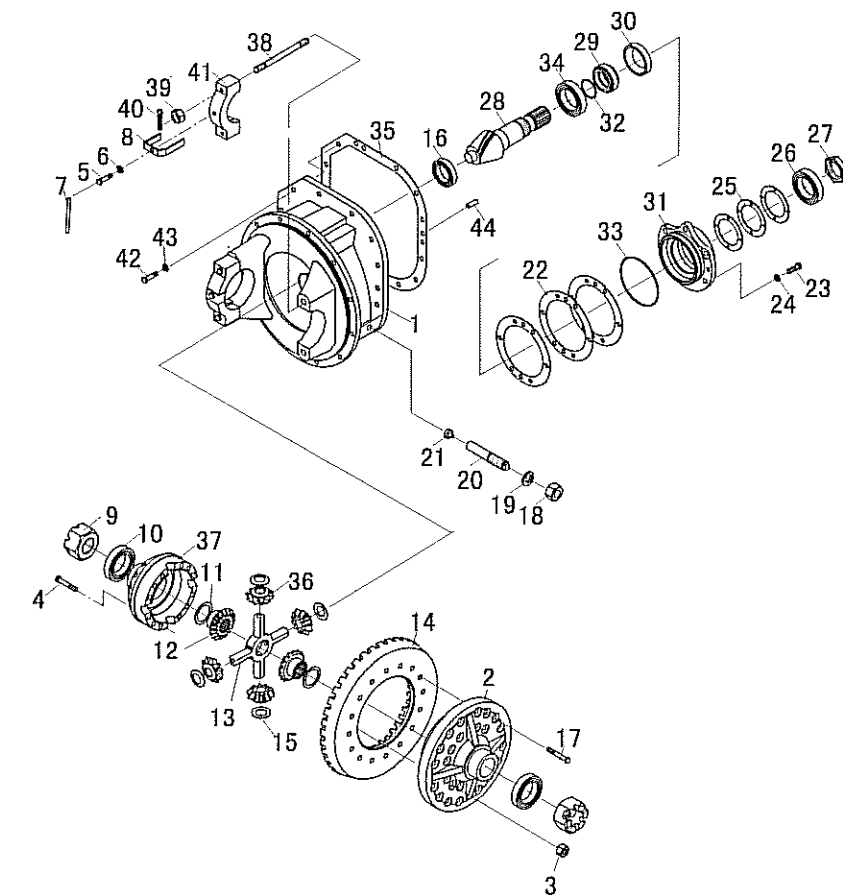


CPGD40, 45, 50-R  
CPCD40, 45, 50-W  
CPCD40, 45, 50-L2  
CPCD40, 45, 50-WF



序号 Item No	图号 Part No	零部件名称 Description	件数 Q'ty	备注 Remark
A	124T3-50001	Differential ass'y	1	差速器总成
1	124T3-52501	Case, differential	1	主减速器壳体
2	124T3-52031	Case, cross L.H	1	差速器左壳体
3	B4530-00014	nut	12	螺母M14X1.5 GB6171-86
4	124T3-52051	Bolt	12	螺栓
5	01130-10020	Bolt	2	螺栓M10X1.25
6	B5050-00010	Washer	2	垫圈10 GB93-87
7		Iron, silk	2	铁丝1.0X100
8	13913-52081	Plate, lock	2	锁片
9	13913-52071	Nut	2	调整螺母
10	Z-2007116	Bearing, taper roller	2	圆锥滚子轴承2007116 GB297-84
11	HRA24T3501	ShimS	1	垫圈 choose
12	124T3-52091	Gear, pinion	2	半轴齿轮
13	124T3-52021	Shaft, cross	1	十字轴
14	124T3-52011	Gear, spiral vevel	1	螺旋伞齿轮
15	124T3-52231	Ring, thruet	4	止推垫圈
16	Z-32306	Bearing, tape roller	1	圆柱滚子轴承32306 GB283-87
17	B0420-14050	Bolt	16	螺栓M14X1.5X50 GB5785-86
18	B4530-00027	Nut	1	螺母M27X2 GB6171-86
19	01402-00027	Shim, lock	1	双耳止动垫圈
20	124T3-52221	Shaft	1	螺柱
21	20313-50091	Plate	1	滑块
22	HRA24T3502	Shim	1	调整垫片 choose
23	B0420-14040	Bolt	6	螺栓M14X1.5X40 GB5783-86
24	B5050-00014	Washer	6	垫圈14 GB93-87
25	HRA24T3502	Shim	1	调整垫片 Choose
26	Z-7311E	Bearing, taper roller	1	圆锥滚子轴承7311E GB297-84
27	124T3-52321	Nut, lock	1	锁紧螺母
28	124T3-52001	Gear, output	1	主动螺旋伞齿轮
29	124T3-52071	Plate	1	隔套

序号 Item No	图号 Part No	零部件名称 Description	件数 Q'ty	备注 Remark
30	Z0200-08012W	Seal, oil 油封PD80X105X12	1	
31	124T3-52081	Seat, bearing 轴承座	1	
32	Z6051-05452	O-ring O型圈54.5X2.65	1	GB3452.1-92
33	Z6051-14502	O-ring O型圈145X2.65	1	GB3452.1-92
34	Z-7312E	Bearing, taper Roller 圆锥滚子轴承7312E	1	GB297-84
35	124T3-52241	Shim 密封垫	1	
36	124T3-52101	Gear, pion 行星齿轮	4	
37	124T3-52041	Case, cross R.H 差速器右壳体	1	
38	20313-50071	Bolt 盖用双头螺栓	4	
39	20233-52081	Nut 螺母	4	
40	B3010-04036	Pin 开口销4X36	4	GB91-86
41	13913-52051	Cover, bearing 轴承盖	2	
42	B0420-12035	Bolt 螺栓M12X1.25	14	GB5785-86
43	B5050-00012	Washer 垫圈12	14	GB93-87
44	B3120-10025	Pin 销10X25	2	GB119-86

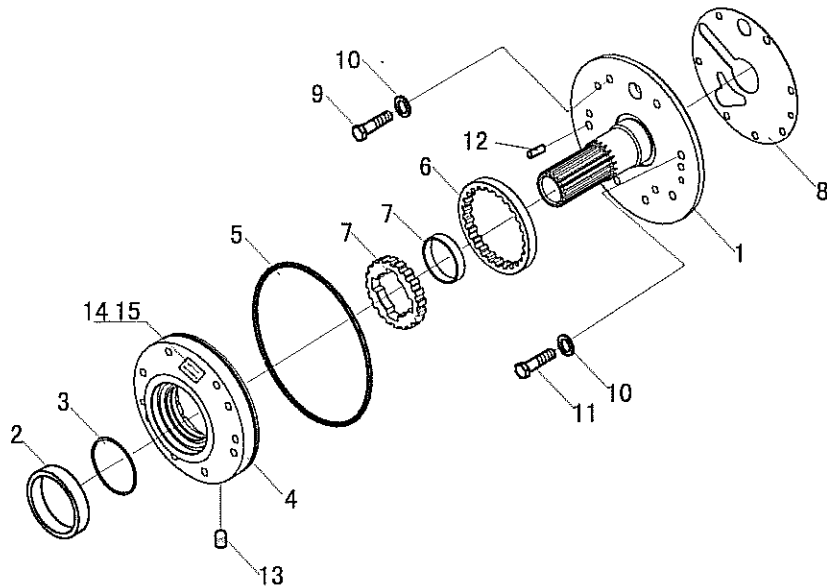


G8

## 供油泵/CHARGING PUMP.

图33/F1G33

CPQD40, 45, 50-R  
CPCD40, 45, 50-W  
CPCD40, 45, 50-L2  
CPCD40, 45, 50-WF

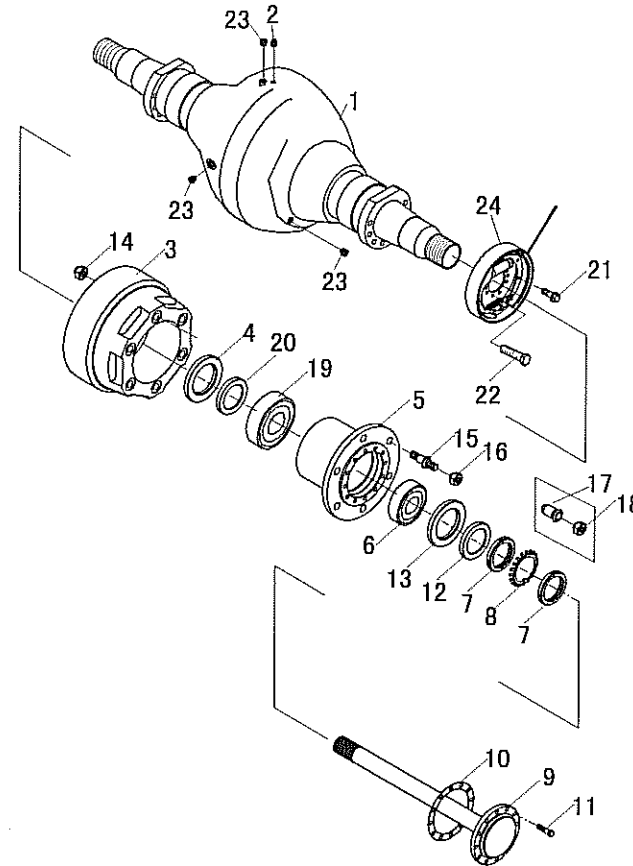


序号 Item No	图号 Part No	零部件名称 Description	件数 Q'ty	备注 Remark
A	124U3-80221	Charing Pump ass'y 供油泵总成	1	
01	124U3-82051	Support, starter 定子	1	
02	124U3-82121	Snap 骨架密封FB75X100X12	1	
03	124U3-82111	Snap 矩形密封圈	1	
04	124U3-80421	Case, pump 供油泵泵体	1	
05	Z6051-19503	Snap O-ring O型密封圈195X3.55	1	GB3452.1-92
06	124U3-82171	Gear, driven 供油泵被动齿轮	1	
07	124U3-80281	Gear, drive 供油泵主动齿轮组件	1	
08	124U3-82181	Bushing 衬套	1	
09	B0520-10050	Bolt 螺栓M10X1.25X35	7	GB5783-86
10	15943-82701	Washing 垫圈	9	
11	B0520-10035	Bolt 螺栓M10X1.25X35	2	GB5783-86
12	B3030-10028	Pin 圆柱销 $\square$ 10X28	2	GB119-86
13	124U3-82191	Plug 螺塞ZG1/8"	1	Q/ZB285-77
14	6TY10-00-41	Seal, oil 供油泵铭牌	1	
15	B2172-02004	Bolt 铆钉E2X4	2	GB827-86

C

序号 Item No	图号 Part No	零部件名称 Description	件数 Q'ty	备注 Remark
01	A3203-02051	Housing, axle	桥壳 1	
02	90106-65690	Breather, air	通气塞总成 1	
03	A0103-02011	Drum, brake	制动鼓 2	
04	23743-02061	Retainer, oilseal	轴承垫 2	
05	24603-02011	Hub, front	轮鼓 2	
06	Z-7216E	Bearing, taper	轴承7216E 2	GB297-04
07	A3203-02021	Nut, bearing	圆螺母 4	
08	A3203-02031	Washer, bearing	止动垫圈 2	
09	A3203-02001	Shaft, driver	半轴 2	
10	23746-02081	Packing	半轴垫 2	
11	24453-02061	Bolt, reamer	螺栓 24	
12	03217-11501	Seal, oil	油封D145Xd115XH14 2	
13	23742-02071	Shim	垫 2	
14	B4230-00020	Nut	螺母M20X1.5 12	GB6171-86
15	A0103-02021	Bolt	螺栓柱 12	
16	23913-02041	Nut	球螺母 12	
17	24463-00050G	Nut(for Double Tire)	柱螺母 12	for Double Tire(OP)
18	24463-00060G	Nut(for Double Tire)	双胎球螺母 12	for Double Tire(OP)
19	Z-7219E	Bearing, taper	轴承7219E 2	GB297-84
20	03217-14501	Seal, oil	油封D175Xd145XH14 2	
21	A0103-02031	Bolt	螺栓 14	
22	A0103-02041	Bolt	螺栓 4	
23	22193-03001	Plug	堵塞 3	
24	HRA0103701	Wheel brake (RH)	制动器(右) 1	SEE FIG30
-	HRA0103701	Wheel brake (LH)	制动器(左) 1	SEE FIG30

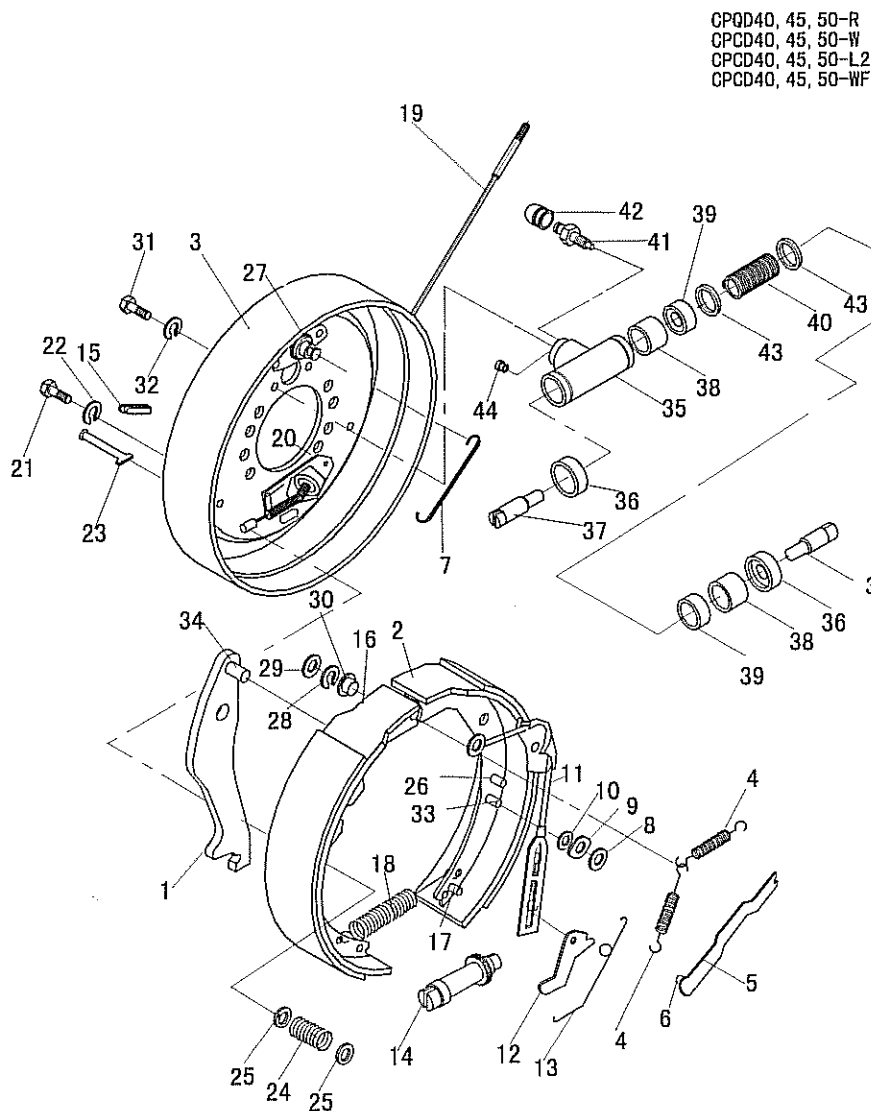
CPQD40, 45, 50-R  
 CPCD40, 45, 50-W  
 CPCD40, 45, 50-L2  
 CPCD40, 45, 50-WF



C10

## 轮式制动器 / WHEEL BRAKE

图35/F1G35

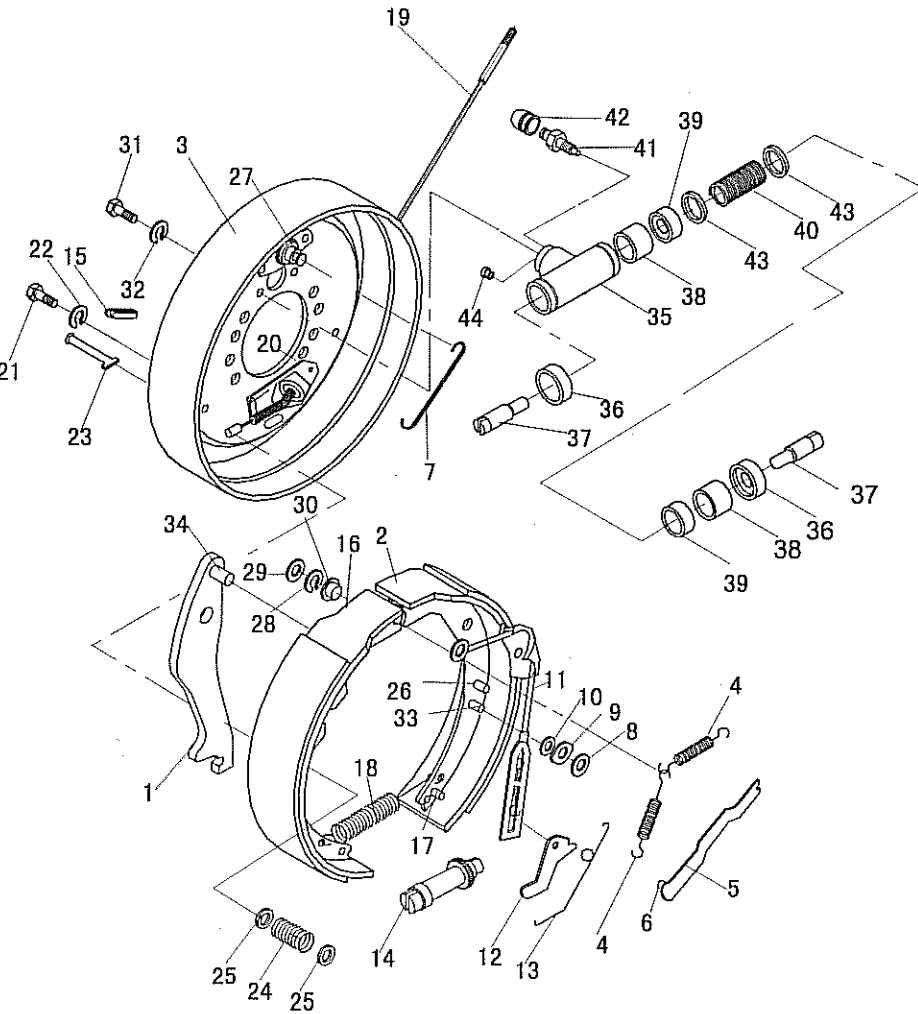


CPQD40, 45, 50-R  
CPCD40, 45, 50-W  
CPCD40, 45, 50-L2  
CPCD40, 45, 50-WF

序号 Item No	图号 Part No	零部件名称 Description	件数 Q'ty	备注 Remark
A	HRA01C3701 A01C3-70111	Wheel brake ass'y (R.H) 制动器总成(右)	1	
-	HRA01C3701 A01C3-70121	Wheel brake ass'y (L.H) 制动器总成(左)	1	
B	A01C3-70201	Wheel cylinder 制动分泵总成(包括35~44)	2	Include 35~44
01	A01C3-72301	Lever brake (RH) 手制动拉杆(右)	1	
-	A01C3-72421	Lever brake (LH) 手制动拉杆(左)	1	
02	A01C3-70301	Brake shoe 制动蹄带摩擦片总成(后)	2	
03	HRA01C3702	Brake plate 制动底板总成	2	
04	A01C3-72001	Spring 弹簧	4	
05	A01C3-72321	Strut 手制动推杆	2	
06	A01C3-72331	Pin 销轴	2	
07	HRA01C3713	Hook 拉钩	2	
08	A01C3-72021	board 板	2	
09	GB97.1-85	Shim 垫圈	6	GB97.1-85
10	GB91-76	Pin 销	2	GB93-87
11	A01C3-70701	Hook 弹簧挂钩	2	
12	HRA01C3707	Lever 棘爪	2	
13	A01C3-72051	Spring 回位弹簧	2	
14	A01C3-70801	Adjuster 间隙调整器总成(右)	1	
-	A01C3-71601	Adjuster 间隙调整器总成(左)	1	
15	A01C3-72061	rubber 胶堵	2	
16	A01C3-70901	Brake shoe 制动蹄带摩擦片总成(前)	2	
17	A01C3-72601	Pin 销轴	2	
18	HRA01C3711	Spring 弹簧	2	
19	A01C3-71001	Cable R.H 制动钢索总成(右)	1	
-	A01C3-71701	Cable L.H 制动钢索总成(左)	1	
20	A01C3-72081	Board 挡板	2	
21	GB5783-86	Bolt 螺栓MGX12	8	GB5783-86
22	GB93-87	Washer 垫圈	8	GB93-87
23	A01C3-72091	Shank 压簧拉杆	4	
24	A01C3-72101	Spring 压簧	4	

C

序号 Item No	图号 Part No	零部件名称 Description	件数 Q'ty	备注 Remark
25	A01C3-72111	Sleeve 压簧座	8	
26	A01C3-72121	Pin 销轴	4	
27	A01C3-72131	Pin 销轴	2	
28	24433-70160G	Washer, Lock 弹性垫片	4	
29	24433-70170G	Snap 杆销挡圈	4	
30	A01C3-72141	Bushing 轴套	2	
31	GB21-76	Bolt 螺栓8X1.25X20	4	GB21-76
32	GB93-87	Washer 垫圈8	4	GB93-87
33	A01C3-72151	Pin 销轴	4	
34	A01C3-72311	Pin 销轴	2	
35	A01C3-72161	Body 制动分泵缸	2	
36	A01C3-72171	Cover, dust 制动分泵护罩	4	
37	A01C3-72181	Rod, Piston 制动分泵活塞顶杆	4	
38	A01C3-72191	Piston 制动分泵活塞	4	
39	A01C3-72201	Cup, Piston 制动分泵皮碗	4	
40	A01C3-72211	Spring 制动分泵弹簧	2	
41	A01C3-72221	Screw, bleader 制动分泵放气螺钉	2	
42	22673-72141	Cap, Screw 分泵放气螺钉护罩	2	
43	A01C3-72231	Snap 挡圈	4	
44	24433-76070G	Seat, tube 制动分泵油塞	2	



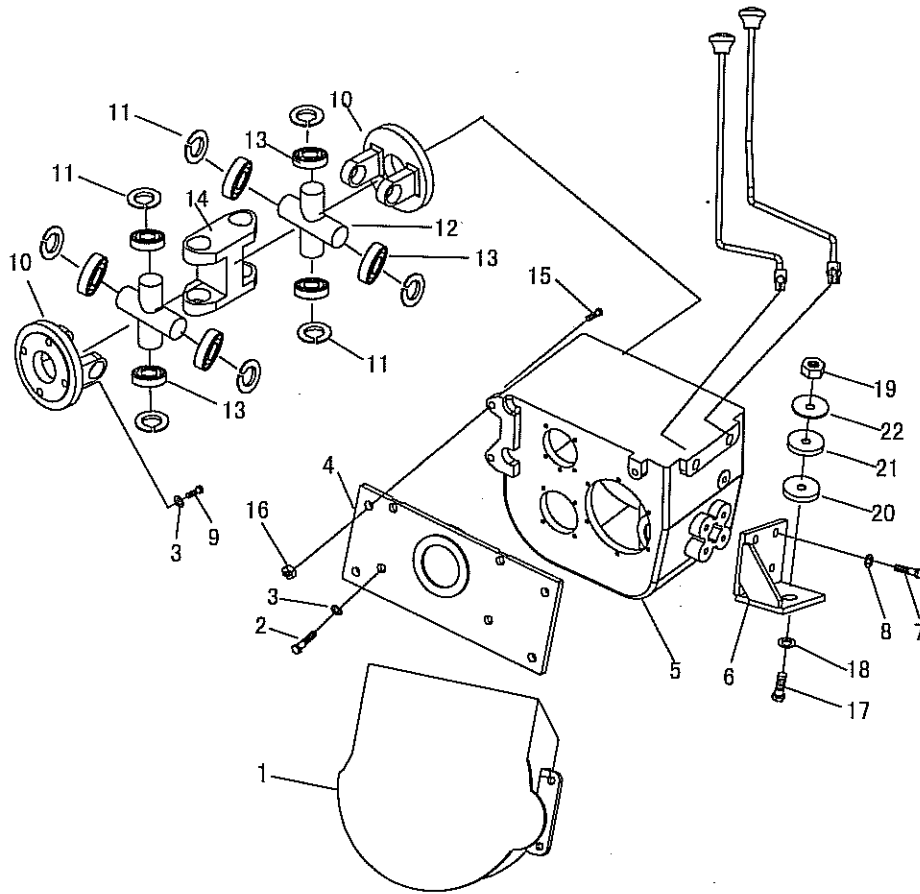


C11

## 传动系统 (机械车) / DRIVING SYSTEM (MECHANICAL FORLIFT)

图 36/F1G36

CPC40-C

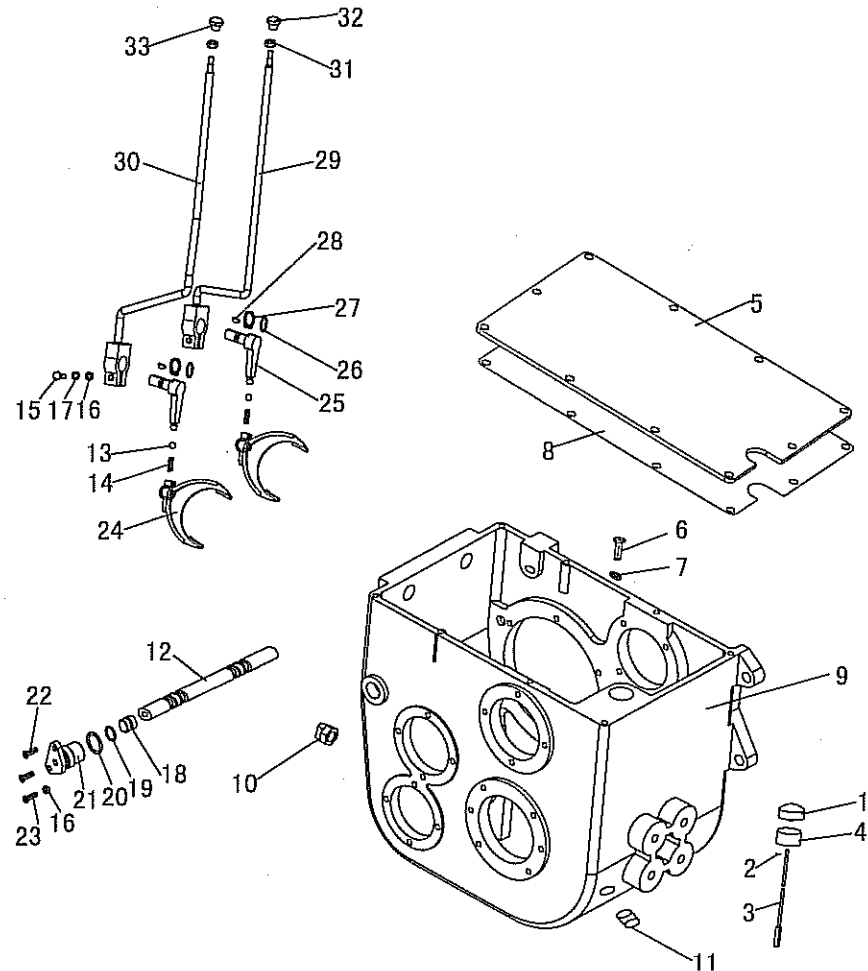


序号 Item No	图号 Part No	零部件名称 Description	件数 Q'ty	备注 Remark
01	A03R3-80301	Clutch	1	离合器安装
02	B0530-14035	Bolt	8	螺栓M14X1.5X35
03	B5050-00014	Washer	18	垫圈14
04	A03R3-82011	Conneting Plate	1	连接板
05	A03R3-80401	Gearbox	1	变速箱1
06	A03R3-80501	Gearbox Support	2	变速箱支脚
07	B5030-12030	Bolt	8	螺栓M12X1.5X30
08	B5050-00012	Washer	8	垫圈12
09	B0340-14045	Bolt	8	螺栓M14X45
10	A03R3-82041	Flange Yoke	2	突缘叉
11	B6052-00040	Check Ring	8	孔用弹性挡圈
12	2201C-030	Universal Joint ass'y	2	万向节十字头总成
13	804705K2	Universal Bearing	8	万向节滚针轴承总成
14	A03R3-82051	Universal Fork	1	万向节叉
15	B0010-14060	Bolt	2	螺栓M14X60
16	B4530-00014	Nut	2	螺母M14
17	B0220-16090	Bolt	2	螺栓M16X90
18	B5310-00016	Washer	2	垫圈16
19	B4016-00016	Nut	2	螺母M16
20	23911-02051	Cushion, Rubber	8	橡胶垫
21	23911-02071	Plate	4	垫片
22	23911-02081	Plate	2	垫板

C

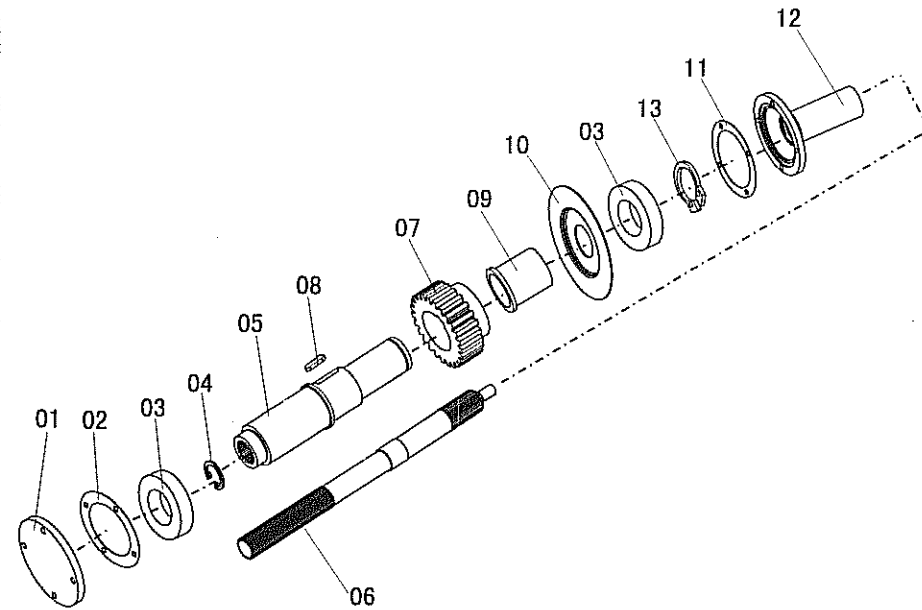
序号 Item No	图号 Part No	零部件名称 Description	件数 Q'ty	备注 Remark
01	A03R3-52581	Cap	盖 1	
02	B3011-02016	Pin	销2X16 1	GB91-86
03	A03R3-52591	Shaft	标杆 1	
04	A03R3-52001	Hose	接管 1	
05	A03R3-52011	Cover	盖板 1	
06	B0110-10025	Bolt	螺栓M10X25 10	GB5781-86
07	B5050-00008	Washer	垫圈10 10	GB93-87
08	A03R3-52021	Gasket	垫1 1	
09	A03R3-52031	Case transmission	箱体 1	
10	JK208	Switch, back lamp	倒档开关 1	
11	22193-03001	Plug	丝堵 1	
12	A03R3-52381	Shifter lever	换档杆 1	
13	Z1510-G0100	Ball, steel	钢球 $\phi$ 10 2	
14	A03R3-52391	Spring	弹簧 2	
15	B0110-08035	Bolt	螺栓M8X35 2	GB5781-86
16	B4116-00008	Nut	螺母M8 3	GB6170-86
17	B5052-00008	Washer	垫圈8 4	GB93-87
18	A03R3-52411	Plug	塞 1	
19	Z6051-01501	O-ring seal	O型密封圈15X2.65 1	GB3452.1-92
20	Z6051-03001	O-ring seal	O型密封圈30X2.65 1	GB3452.1-92
21	A03R3-52421	Shaft arm	轴臂 1	
22	B0110-08025	Bolt	螺栓M8X25 2	GB5781-86
23	B0110-08040	Bolt	螺栓M8X40 1	GB5781-86
24	A03R3-52431	Shifter fork	拨叉 2	
25	A03R3-52441	Lever, shift	转动杆 2	
26	Z6051-01701	O-ring seal	O型密封圈17X2.65 2	GB3452.1-92
27	B6150-00022	Snap reing	挡圈22 2	GB894.1-86
28	Z40	Half-round key	键5X19 2	GB1099-79
29	A03R3-50701	Lever, speed change	变速操纵手柄 1	
30	A03R3-50801	Lever, direction change	换向操纵手柄 1	

CPC40-C





序号 Item No	图号 Part No	零部件名称 Description	件数 Qty	备注 Remark
01	A03R3-52041	Cover	轴端盖	1
02	A03R3-52531	Gasket	垫	1
03	Z-00210	Bearing, ball	轴承210	1 GB276-82
04	B6052-00034	Snap ring	挡圈34	1 GB893.1-86
05	A03R3-52051	Driver shaft	轴	1
06	A03R3-52061	The first shaft	第一轴	10
07	A03R3-52071	Input gear	输入轴齿轮	10
08	Z4011-16045	Bond	键16x45	1 GB1096-79
09	A03R3-52081	Spacer	轴套	1
10	A03R3-52091	Oil seal	挡油环	1
11	A03R3-52541	Gasket	垫	1
12	A03R3-52101	Retainer, bearing	分离轴承套	1
13	B6152-00050	Snap ring	挡圈50	2 GB894.1-86

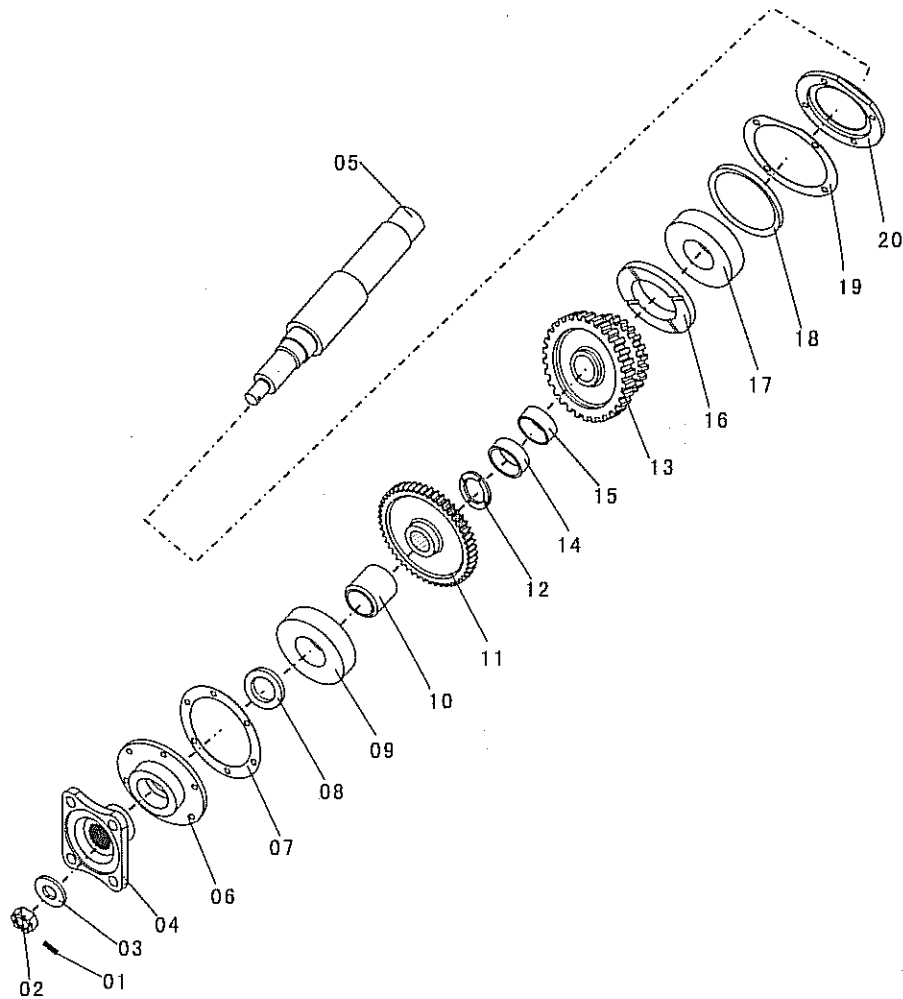


C14

## 输出轴总成/OUTPUT SHAFT ASSEMBLY

图39/F1G39

GPC40-C

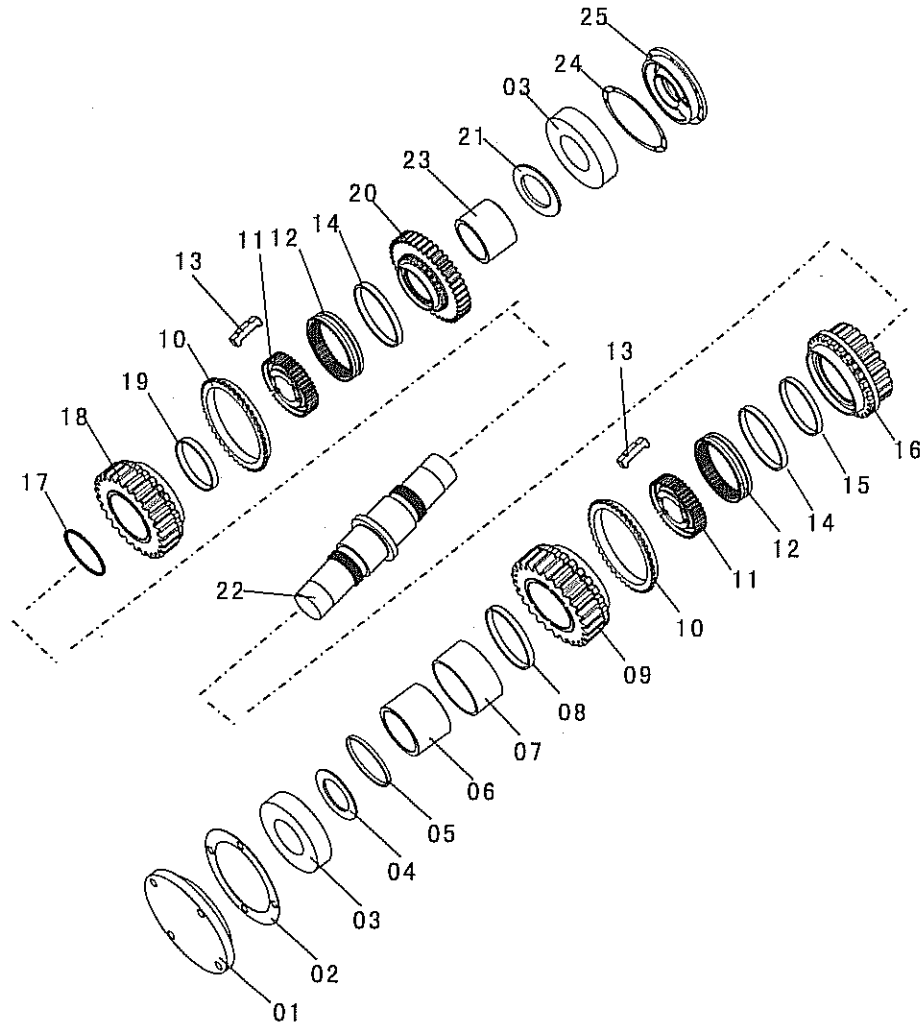


序号 Item No.	图号 Part No.	零部件名称 Description	件数 Q'ty	备注 Remark
01	B3010-3P250	Pin	销3.2X50	1 GB91-86
02	B4133-00020	Nut	螺母M20	1 GB6181-86
03	A03R3-52111	Washer	平垫	1
04	A03R3-52121	Flange	法兰	1
05	A03R3-52131	Output shaft	输出轴	1
06	A03R3-52141	Cover	端盖	1
07	A03R3-52511	Washer	垫	1
08	Z6351-06202	Oil seal	油封FB40X62X3	1 GB9877.1-88
09	Z-00309	Bearing	轴承309	1 GB276-82
10	A03R3-52151	Spacer	轴套	1
11	A03R3-52161	Output gear	输出大齿轮	1
12	A03R3-52171	Washer	平垫	1
13	A03R3-52181	Gear, cluster	输出两联齿	1
14	Z1652-50200	Bearing	轴承K505820	3 GB5840-86
15	A03R3-52191	Spacer	轴套	2
16	A03R3-52201	Snap ring	挡圈	1
17	Z-50309	Bearing	轴承50309	1 GB277-82
18	B6362-00096	Snap ring	挡圈96	1 GB305-89
19	A03R3-52521	Washer	垫	1
20	A03R3-52211	Cover	端盖	1

C

序号 Item No.	图号 Part No.	零部件名称 Description	件数 Q'ty	备注 Remark
01	A03R3-52501	Cover	端盖	1
02	A03R3-52551	Washer	垫	1
03	Z-00209	Bearing	轴承209	2 GB276-82
04	A03R3-52221	Snap ring	挡圈	1
05	A03R3-52231	Collar	挡环	2
06	A03R3-52241	Spacer	轴套	2
07	N-1701260-02A	Bearing	滚针轴承	4
08	A03R3-52251	Collar	挡环	3
09	A03R3-51001	Gear backward	倒档齿轮总成	1
10	N-1701276-00A	Ring	1-2档同步器齿环	4
11	N-1701271-01A	Gear hub	同步器齿毂	2
12	12493-42041	Gear sleeve	同步器、齿套	2
13	D120-1092	Insert	同步器滑块	6
14	N-1701273-00A	Spring	同步器弹簧	4
15	A03R3-52291	Collar	挡环	1
16	A03R3-51101	Gear forward	前进档齿轮总成	1
17	A03R3-52631	Collar	挡环	1
18	A03R3-51201	Gear, high speed	二档齿轮总成	1
19	A03R3-52661	Collar	挡环	1
20	A03R3-51301	Gear, low speed	一档齿轮总成	1
21	A03R3-52311	Snap ring	挡圈	1
22	A03R3-52301	Middle shaft	中间轴	1
23	A03R3-52671	Spacer	轴套	1
24	A03R3-52321	Cover	端盖	1
25	A03R3-52561	Washer	垫	1

CPC40-C

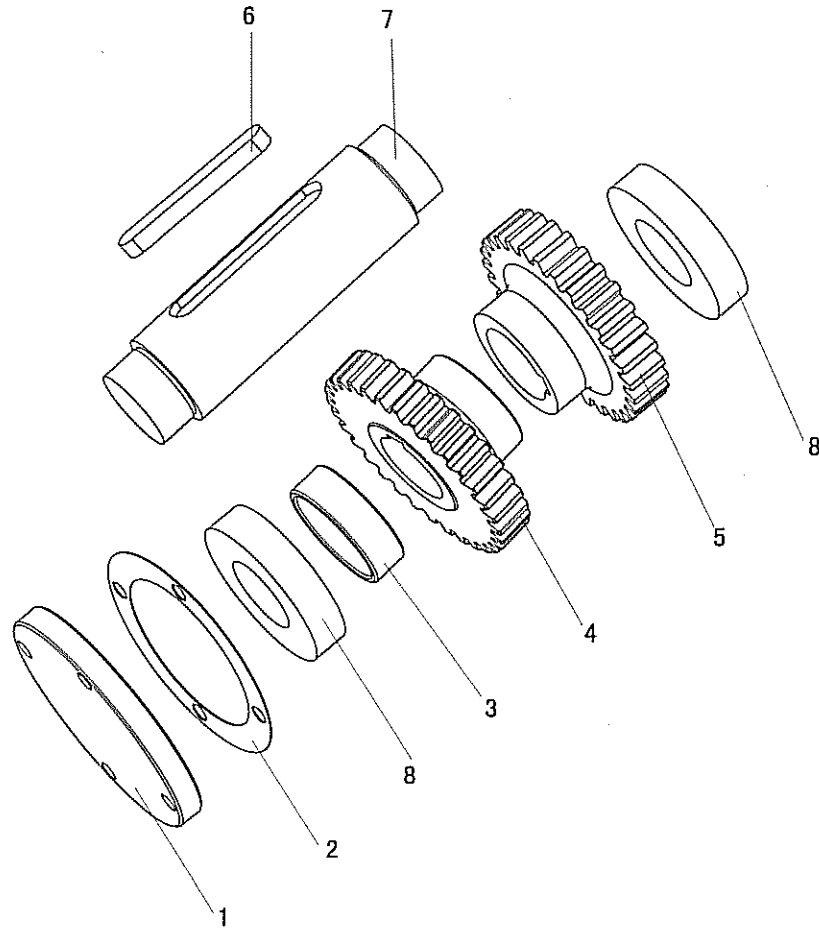


C16

## 倒档轴总成/BACK GEAR SHAFT ASSEMBLY

图41/FIG41

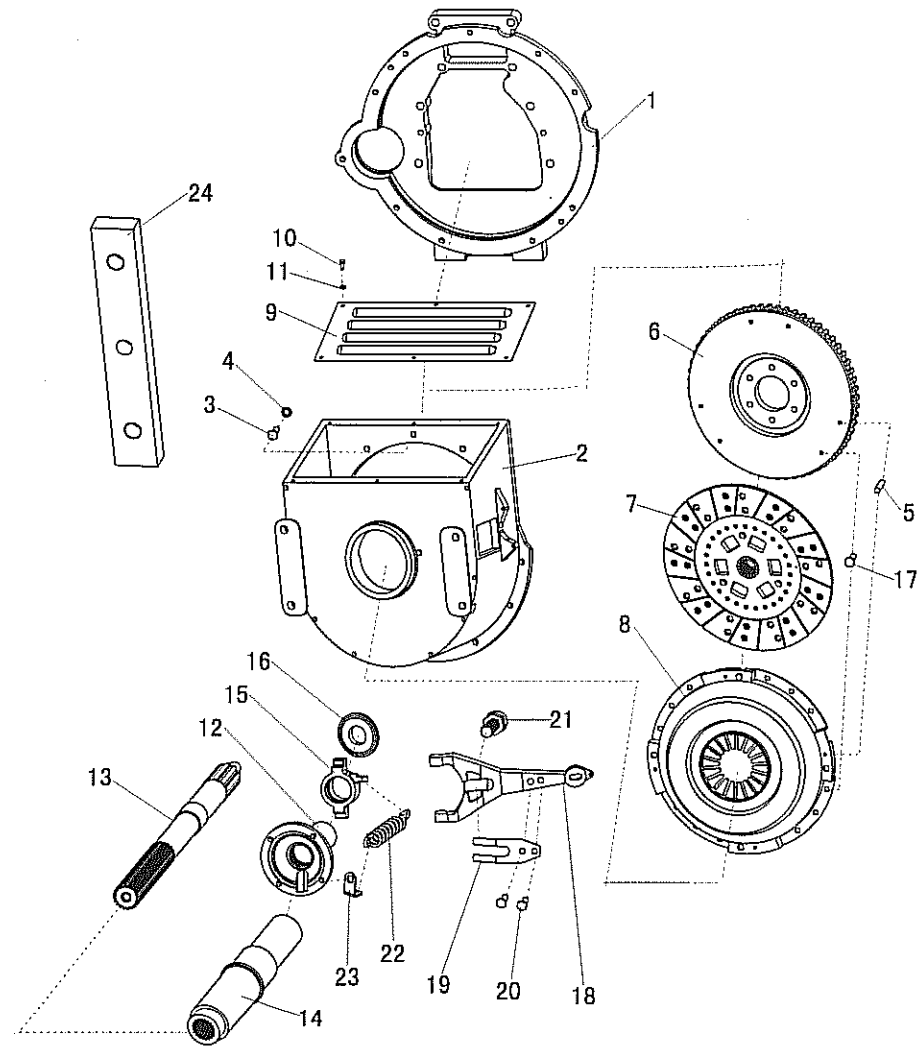
GPC40-C



序号 Item No.	图号 Part No.	零部件名称 Description	件数 Qty	备注 Remark
01	A03R3-52331	Cover	端盖 1	
02	A03R3-52571	Washer	垫 1	
03	A03R3-52341	Spacer	轴套 1	
04	A03R3-52351	Gear backward 1	倒档齿轮1 1	
05	A03R3-52361	Gear backward 2	倒档齿轮2 1	
06	Z4011-14090	Key	键14X90 1	GB1096-79
07	A03R3-52371	Shaft, idle gear	倒档轴 1	
08	Z00208	Bearing	轴承208 2	GB276-82

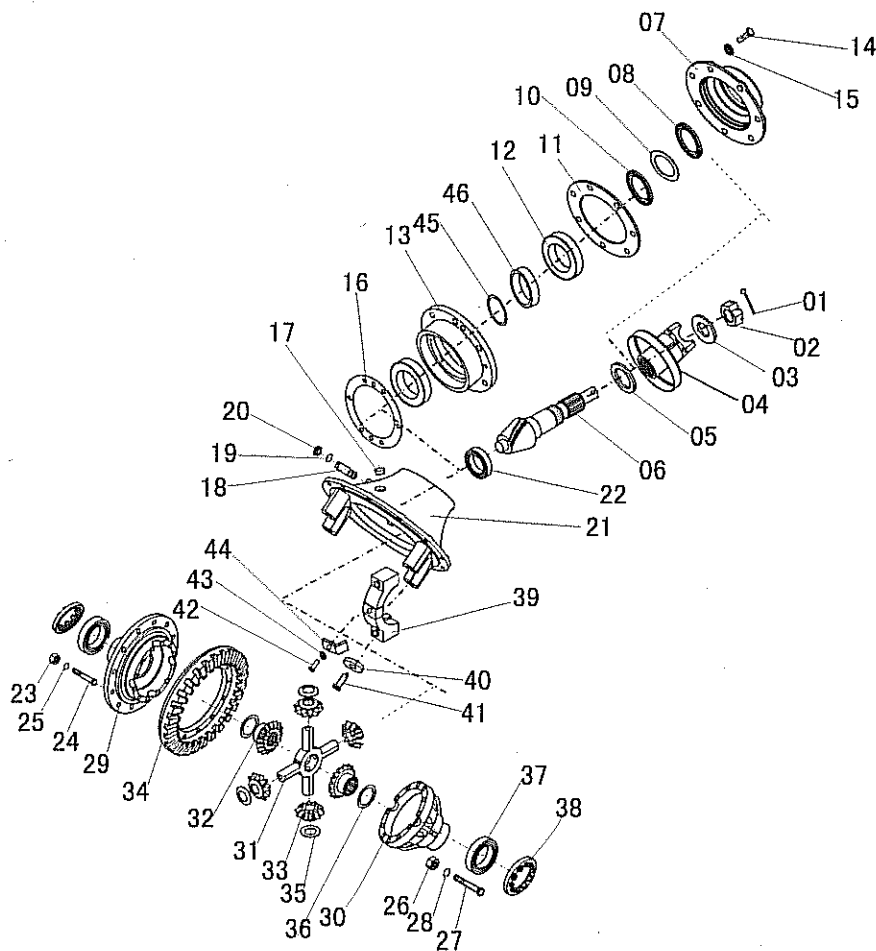
C

序号 Item No	国号 Part No	零部件名称 Description	件数 Q'ty	备注 Remark
01	A03R3-12083	Flywheel housing	1	飞轮壳
02	A03R3-12004	Clutch housing	1	离合器壳
03	B0110-10035	Bolt	12	螺栓M10X35 GB5781-86
04	B5050-00010	Washer	20	垫圈10 GB93-87
05	B3132-10026	Pin, parallel	2	销B10X26 GB120-86
06	A03R3-12061	Flywheel changing	1	飞轮改制
07	G0613-10011	Clutch disc Ass'y	1	离合器从动盘总成 外购EQ140
08	A03R3-12142	Clutch cover	1	离合器压盘总成 外购EQ140改制
09	A03R3-12012	Cover	1	盖
10	B0110-06016	Bolt	6	螺栓M6X16 GB5781-86
11	B5050-00006	Washer	6	垫圈6 GB93-87
12	A03R3-12051	Retainer, bearing	1	分离轴承套
13	A03R3-12041	The first shaft	1	第一轴
14	A03R3-12102	Shaft changing	1	轴改制
15	A03R3-12112	Pedestal, bearing	1	分离轴承座
16	G0613-10031	Bearing, thrust	1	分离轴承360111 外购EQ140
17	B0320-10020	Bolt	8	螺栓M10X20 GB5783-86
18	A03R3-12021	Yoke, clutch	1	离合器分离叉
19	A03R3-12031	Bedspring	1	弹簧片 外购南汽
20	B1210-06020	Bolt	2	螺钉M6X20 外购EQ140
21	G0613-10041	Pivot, clutch yoke	1	分离叉球形支柱
22	G0613-10051	Spring	1	回位弹簧
23	A03R3-12122	Spring bat	1	回位弹簧挂板
24	A03R3-12132	Bat	1	螺孔板



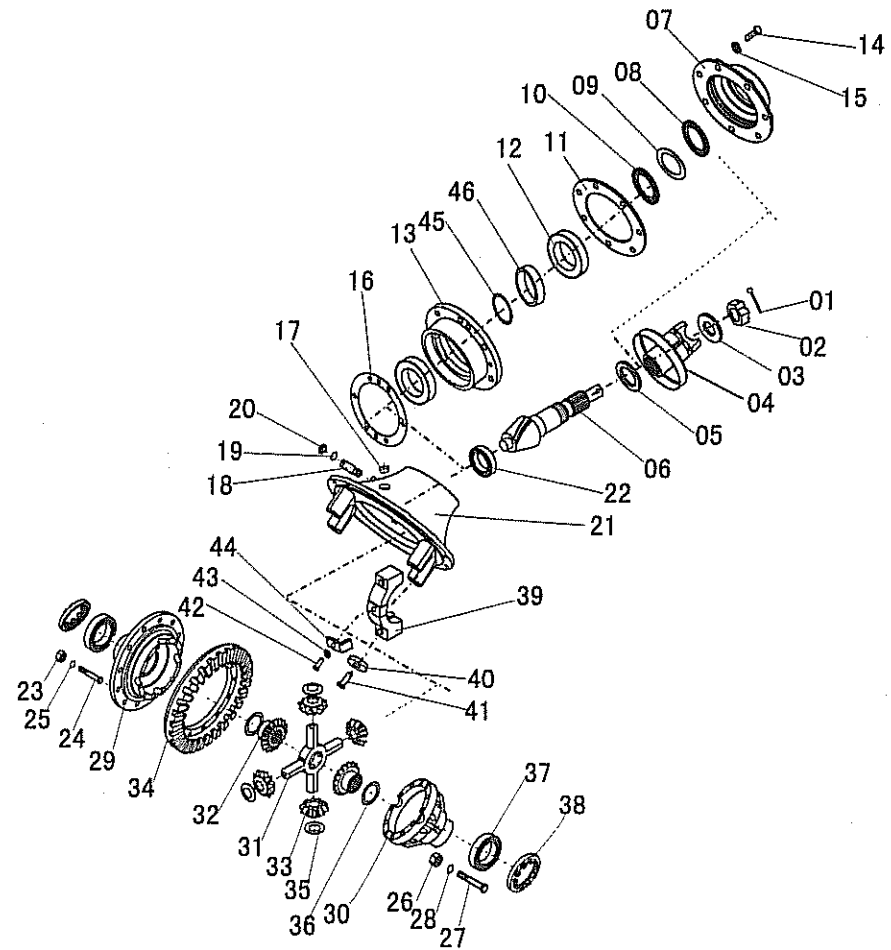


CPC40-C



序号 Item No	图号 Part No	零部件名称 Description	件数 Q'ty	备注 Remark
01	Q5005045	Pin	销	1
02	Q38727	Nut	螺母	1
03	2402D-071	Washer	垫圈	1
04	2402D-065	Cover	叉型凸缘总成	1
05	2402D-052	Snap reing	止推垫圈	1
06	2402D-030-B	Shaft pinion	后桥主动锥齿轮	1
07	2402D-056	Case	油封座	1
08	2402D-057	Ring	油封	1
09	2402D-059	Snap ring	导向环	1
10	2402D-058	Ring	油封	1
11	2402D-053	Shim	衬垫	1
12	27311E-2	Bearing	轴承	2
13	2402D-035-B	Cover bearing	轴承座	1
14	Q1601845	Bolt	螺栓	7
15	Q40312	Washer	垫圈	7
16	2402D-081	Shim	调整垫片	1组
17	Q61410	Bolt	螺栓	1
18	2402D-125	Shaft	螺杆	1
19	2402D-128	Washer	垫片	1
20	2402D-129	Nut	螺母	1
21	2402D-115	Case differential	主减速器壳	1
22	42507EK-1	Bearing	轴承	1
23	30D-01049	Nut	螺母	12
24	2402D-356-B	Bolt	螺栓	12
25	2402D-357-B	Washer	垫片	12
26	30D-01049	Nut	螺母	8
27	2402D-366	Bolt	螺栓	8
28	2402D-367	Washer	垫片	8
29	2402D-317-B	Case cross L.H	左壳	1
30	2402D-318	Case cross R.H	右壳	1

序号 Item No	图号 Part No	零部件名称 Description	件数 Q'ty	备注 Remark	GPC40-C
31	2402D-331	Shaft cross 十字轴	1		
32	2402D-335	Gear pinion 半轴齿轮	2		
33	2402D-345	Gear pinion 行星齿轮	4		
34	2402D-026-B	Gear spiral 从动锥齿轮	1		
35	2402D-348A	Ring thruet 支承垫圈	4		
36	2402D-336A	Ring thruet 支承垫圈	2		
37	7516E	Bearing 轴承	2		
38	2402D-381	Nut 调整螺母	2		
39	2402D-117	Cover bearing 轴承盖	2		
40	2402D-121	Washer 锁片	4		
41	2402D-119	Bolt 螺栓	4		
42	Q1600814	Bolt 螺栓	2		
43	2402C-384	Washer 锁片	2		
44	2402D-383	Washer 止动片	2		
45	2402D-41~44	Washer 调整垫圈	1组		
46	2402D-49	Snap ring 隔套	1		

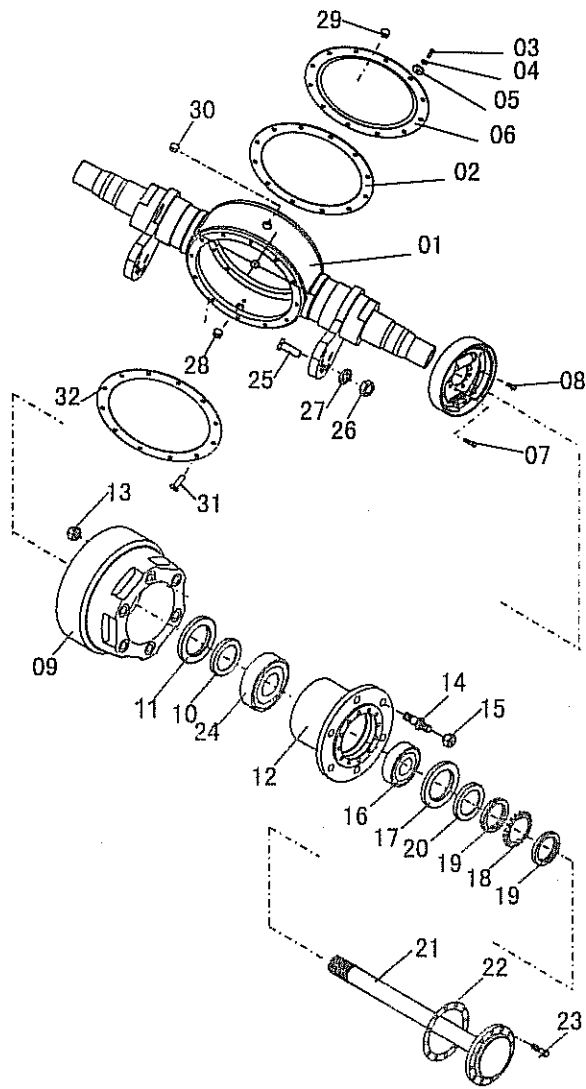


C19

驱动桥/DRIVE AXLE

图44/F1G44

CPC40-C



序号 Item No	图号 Part No	零部件名称 Description	件数 Q'ty	备注 Remark
01	A03R3-00201	Housing axle	1	驱动桥壳
02	24D-01062	Packing	1	衬垫
03	B0320-12045	Bolt	12	螺栓M12X45
04	B5052-00012	Washer	24	垫圈12
05	B5313-00012	Washer	24	垫圈12
06	24D-01020	Annex	1	后桥壳盖总成
07	A05R3-02011	Bolt	12	螺栓
08	A05R3-02021	Bolt	4	螺栓
09	A05R3-02031	Drum brake	2	制动鼓
10	23743-02061	Washer	2	轴承垫
11	03217-14501	Oil seal	2	油封D175xd145xH14
12	24603-02011	Hub front	2	轮毂
13	B4230-00020	Nut	12	螺母M20X1.5
14	A01C3-02021	Bolt hub	12	螺栓柱
15	23913-02041	Nut hub	12	球螺母
16	Z-7216E	Bearing taper	2	轴承7216E
17	03217-11501	Oil seal	2	油封D145xd115xH14
18	23743-02071	Washer	2	垫
19	B4732-00080	Nut	4	螺母M80X2
20	B5512-00080	Washer	2	垫圈80
21	A03R3-02011	Shaft drive	2	半轴
22	23746-02081	Packing	2	半轴垫
23	24453-02061	Bolt	24	螺栓
24	Z7219E	Bearing taper	2	轴承7219E
25	B0520-24080	Bolt	10	螺栓M24X2X80
26	B4230-00024	Nut	10	螺母M24X2
27	B5050-00024	Washer	10	垫圈24
28	Q61304	Flug	2	放油螺塞
29	Q61403	Flug	1	方头锥形螺塞Z3/8"-1B
30	Q900	Flug	1	通气塞

0

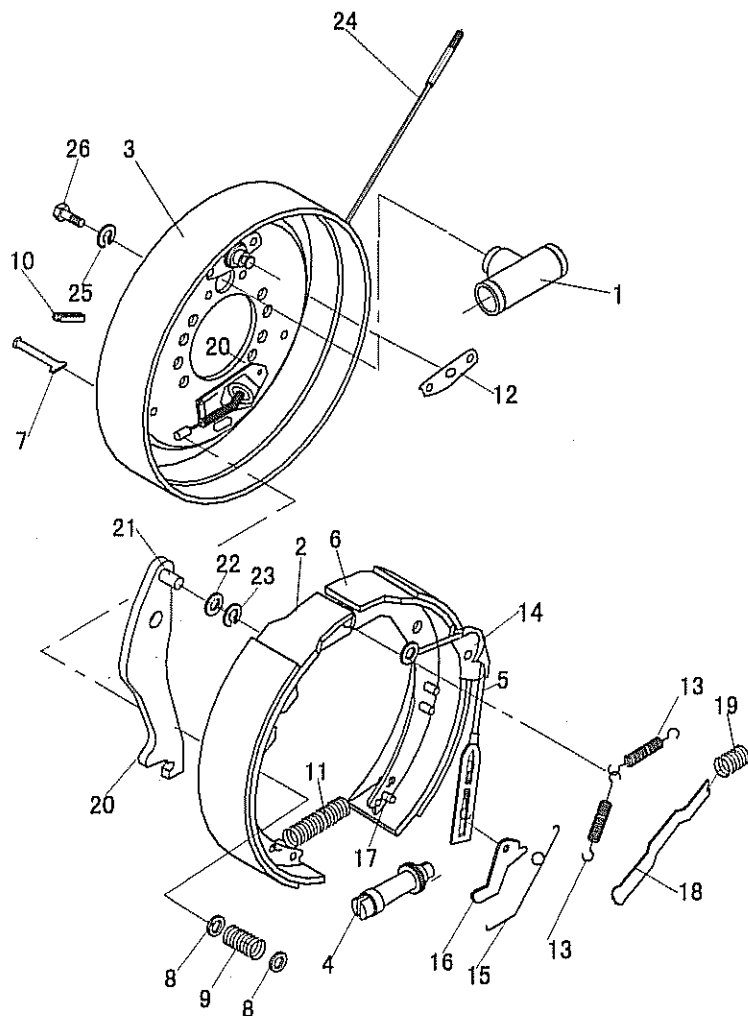


G20

## 轮式制动器 / WHEEL BRAKE

图45/F1G45

GPC40-C



序号 Item No	图号 Part No	零部件名称 Description	件数 Q'ty	备注 Remark
	35DHX70411	Brake Ass'y-L.H 制动器总成(左)		左右对称
	35DHX70401	Brake Ass'y-R.H 制动器总成(右)		左右对称
01	24433-76000G	Cylinder ass.y 制动分泵总成	1	
02	24433-71000G	Pin, shoe&lining ass.y	1	
03	35DHX72000G	Back plate 制动器底板总成	1	
04	24433-74000G	Adjuster 间隙调整器总成	1	
05	24433-73000G	Spring & Fitting ass.y 弹簧拉线装置	1	
06	24433-75000G	Pin, shoe&lining ass.y	1	
07	24433-70010G	Pin, shoe hold down 压簧拉杆	2	
08	24433-70020G	Cup, shoe hold down 压簧座	2	
09	24433-70030G	Spring, shoe hold down 压簧	2	
10	24433-70040G	Cover, adjusting hold 胶堵	1	
11	24433-70050G	Spring shoe 回位弹簧	1	
12	24433-70060G	Plate, shoe guide 导向板	1	
13	24433-70070G	Spring shoe 制动蹄回位弹簧	2	
14	24433-70080G	Guide, cable 导向块	1	
15	24433-70090G	Spring 弹簧	1	
16	24433-70100G	Lever 棘爪	1	
17	24433-70110G	Annul 销钉	1	
18	24433-70120G	Strut 手制动推杆	1	
19	24433-70130G	Spring 弹簧	1	
20	24433-70140G	Lever parking 手制动拉杆	1	
21	24433-70150G	Annul 销钉	1	
22	24433-70160G	Washer lock 弹性垫片	1	
23	24433-70170G	Retainer 杯销挡圈	1	
24	0c11240-1/24803-300	Control cable ass.y 制动器拉索总成	1	
25	GB93-76	Washer 垫圈	2	
26	GB21-76	Bolt 螺栓M8X1.25X20-6g	2	

G



C22

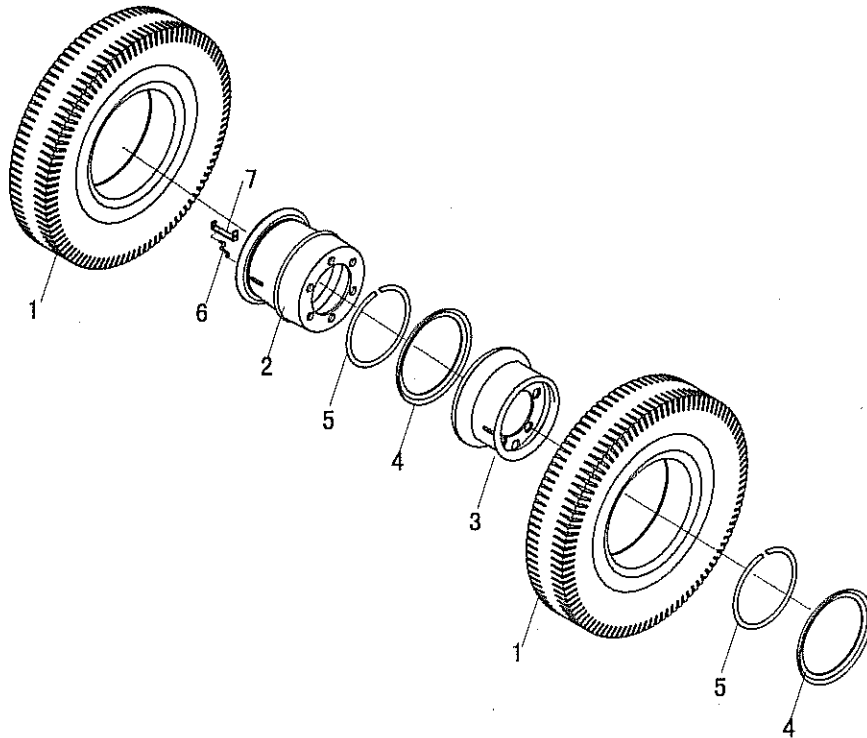
## 驱动轮(双胎)/DRIVE WHEEL (DOUBLE WHEEL)

图47/FIG47

CPQD40, 45, 50-R  
 GPCD40, 45, 50-W  
 GPCD40, 45, 50-L2  
 GPCD40, 45, 50-WF

序号  
Item  
No图号  
Part No零部件名称  
Description件数  
Q'ty备注  
Remark

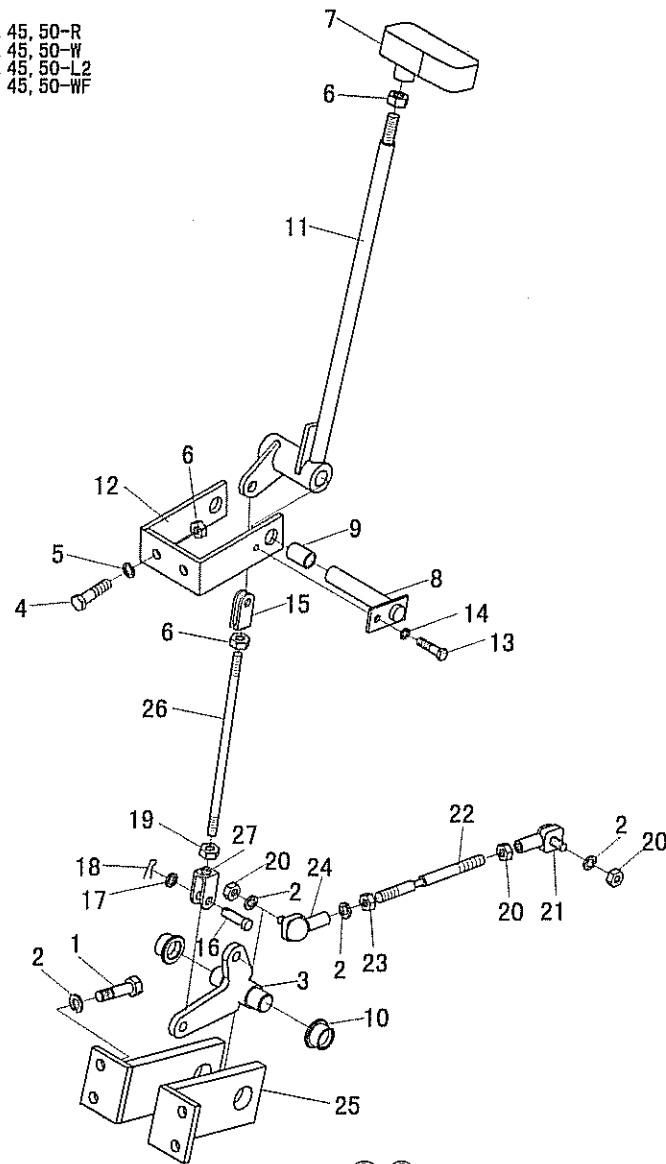
01	Z3005-30015	Trim	轮胎300-15-20PR	4	
02	A01C4-43001	Rim	外轮辋	2	
03	A01C4-43001	Side ring	轮辋	2	
04	A01C4-43031	Lock ring	锁圈	4	
05	A01C4-43021	Snap ring	挡圈	4	
06	25783-02240	Tube	充气接管	2	
07	24483-040008	Bracket	支架	2	



C

序号 Item No	图号 Part No	零部件名称 Description	件数 Qty	备注 Remark
01	B0110-08020	Nut 螺母M8X20	4	GB5781-86
02	B5052-00008	Washer 垫圈8	6	GB93-87
03	A32C3-90201	Link 摇臂	1	
04	B0110-10020	Bolt 螺栓M10X20	2	GB5781-86
05	B5052-00010	Washer 垫圈10	2	GB93-87
06	B4116-00010	Nut 螺母M10	4	GB6170-86
07	A32C3-90501	Grip 手柄	1	
08	A01D3-90301	Pin 销轴	1	
09	Z2111-01625	Bushing 钢背轴承1625	2	
10	A01D3-92061	Bushing 衬套	2	
11	A01D3-90401	Lever 操纵杆	1	
12	A01D3-92111	Bracket 上支架	1	
13	B0110-06010	Bolt 螺栓M6X10	1	GB5781-86
14	B5052-00006	Washer 垫圈6	1	GB93-87
15	A01D7-42001	Connect 接头	1	
16	B3222-08024	Pin 销轴B8X24	2	GB882-86
17	B5313-00008	Shim 垫圈8	2	GB97.1-85
18	B3010-3P216	Pin 销3.2X16	2	GB91-86
19	A01D3-93021	Nut 螺母	1	
20	B4116-00008	Nut 螺母M8	3	GB6170-86
21	A01D3-90601	Ball joint, R H 右球关节	1	
22	A32C3-92021	Shaft 调节螺栓	1	
23	A01D3-92191	Nut 螺母	1	
24	A01D3-90701	Ball joint, L H 左球关节	1	
25	A01D3-90801	Bracket 下支架	2	
26	A01D3-93001	Shaft 竖拉杆	1	
27	A01D3-93011	Connect 左接头	1	

CPQD40, 45, 50-R  
CPCD40, 45, 50-W  
CPD40, 45, 50-L2  
CPD40, 45, 50-WF

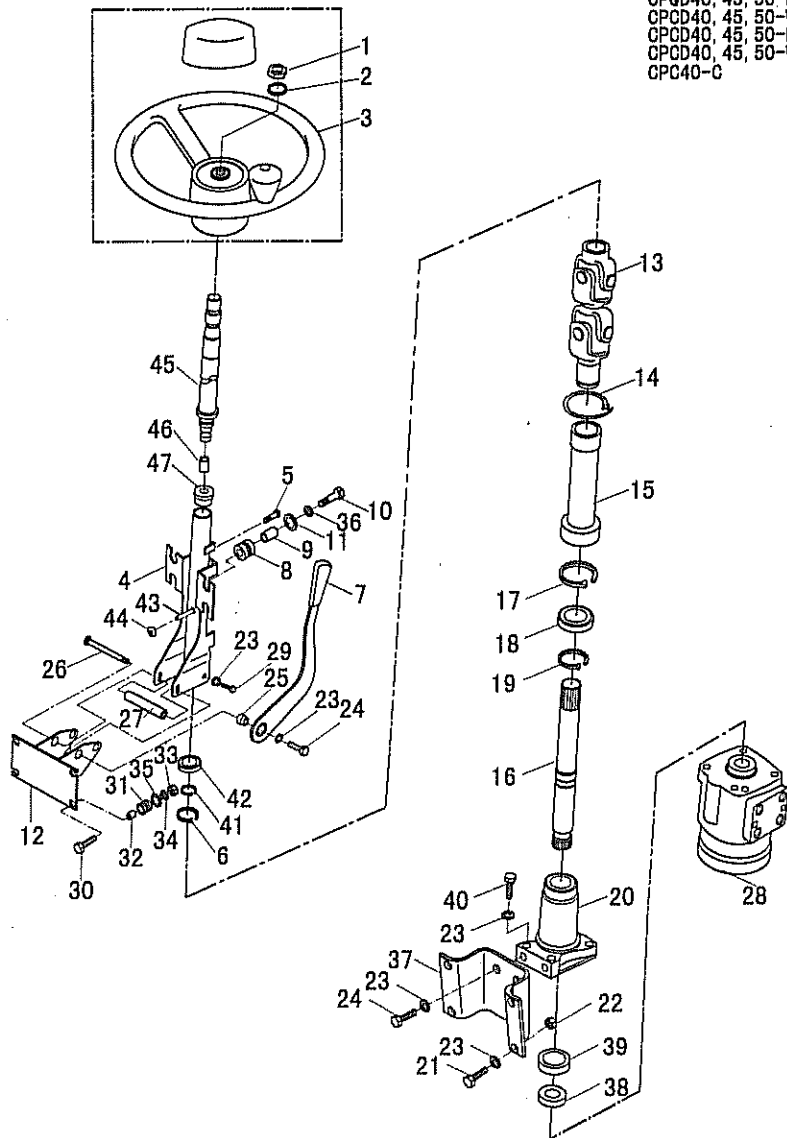




D1

## 转向系统/STEERING SYSTEM

图49/FIG49



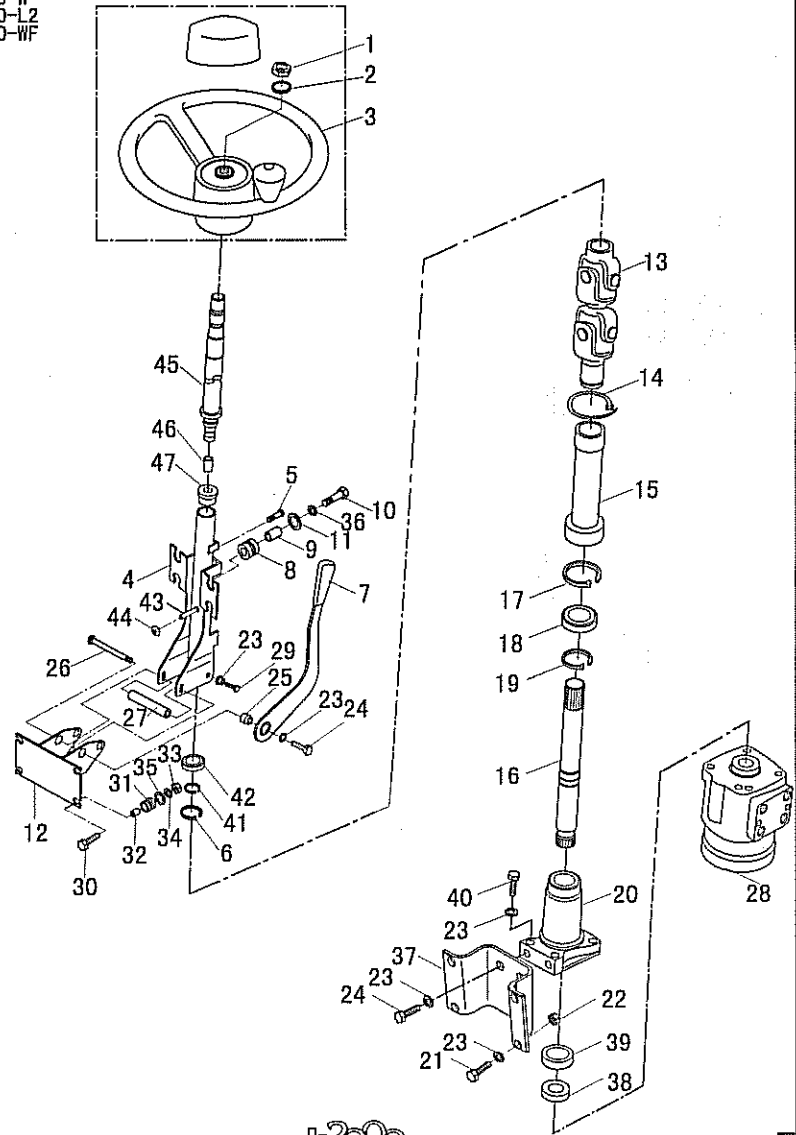
CPQD40, 45, 50-R  
CPCD40, 45, 50-W  
CPCD40, 45, 50-L2  
CPCD40, 45, 50-WF  
CPC40-C

序号 Item No	图号 Part No	零部件名称 Description	件数 Q'ty	备注 Remark
01	B4413-00016	Nut 螺母M16X1.5	1	GB6173-86
02	B5050-00016	Shim 垫圈16	1	GB93-87
03		Handle wheel 方向盘700型	1	
04	A01D4-10601	Column ass'y 管柱总成	1	
05	B1010-06016	Bolt 螺钉 M6X16	2	GB65-85
06	B0052-00035	Column 挡圈35	1	GB893.1-86
07	A01D4-10301	Handle, tilt lock 锁紧手柄	1	
08	A01D4-12121	Shim, rubber 橡胶垫	4	
09	A01D4-12131	Pipe 套管	4	
10	A01D4-12141	Bolt 螺栓	4	
11	B5050-00010	Shim 垫圈10	4	GB93-87
12	A01D4-10401	Connection 连接板	1	
13	HRA01D4101	Gimbal 万向节	1	
14	Z4590-00030	Clip 胶管夹	1	
15	A01D4-12191	Collar 护套	1	
16	A01D4-12201	Shaft 轴	1	
17	B6050-00037	Snap ring 挡圈37	1	GB8931-86
18	Z0000-10904	Bearing 轴承1000904	1	GB276-82
19	B6150-00020	Snap ring 挡圈20	1	GB8941-86
20	A01D4-12211	Plate 法兰	1	
21	B0110-10030	Bolt 螺栓M10X30	4	GB5781-86
22	B4130-00010	Nut 螺母M10	4	GB6170-86
23	B5050-00010	Washer 垫圈10	13	GB93-87
24	B0110-10016	Bolt 螺栓M10X16	4	GB5781-86
25	A01D4-12221	Nut 螺母	1	
26	A01D4-12231	Bolt 螺栓	1	
27	A01D4-12241	Collar 限位套	1	
28	HRA01D4102	Steering unit 转向器	1	
29	A01D4-12251	Bolt 螺栓	6	
30	B0110-12041	Bolt 螺栓M12X40	4	GB5781-86

D

序号 Item No	图号 Part No	零部件名称 Description	件数 Q'ty	备注 Remark
31	A01D4-12261	Shim, rubber	4	橡胶垫
32	A01D4-12271	Collar	4	套管
33	B4130-00012	Nut	4	螺母M12
34	B5050-00012	Shim	4	垫圈12
35	B5210-00012	Shim	4	垫圈12
36	B5210-00010	Shim	4	垫圈10
37	A01D4-12281	Shim	1	支架
38	A01D4-12290	Collar	1	套
39	Z0000-10204	Bearing	1	轴承204
40	B0110-10055	Bolt	4	螺栓M10X55
41	B6152-00017	Snap ring	1	挡圈17
42	Z0000-10103	Bearing	1	轴承103
43		Lead wire	1	导线QFR-1.0X400
44	A01D4-12021	Collar	1	喇叭线套
45	A01D4-10701	Shaft	1	转向轴
46	A01D4-12061	Collar	1	套
47	A01D4-10801	Bushing	1	衬套

CPCD40, 45, 50-R  
CPCD40, 45, 50-W  
CPCD40, 45, 50-L2  
CPCD40, 45, 50-WF  
CPC40-C



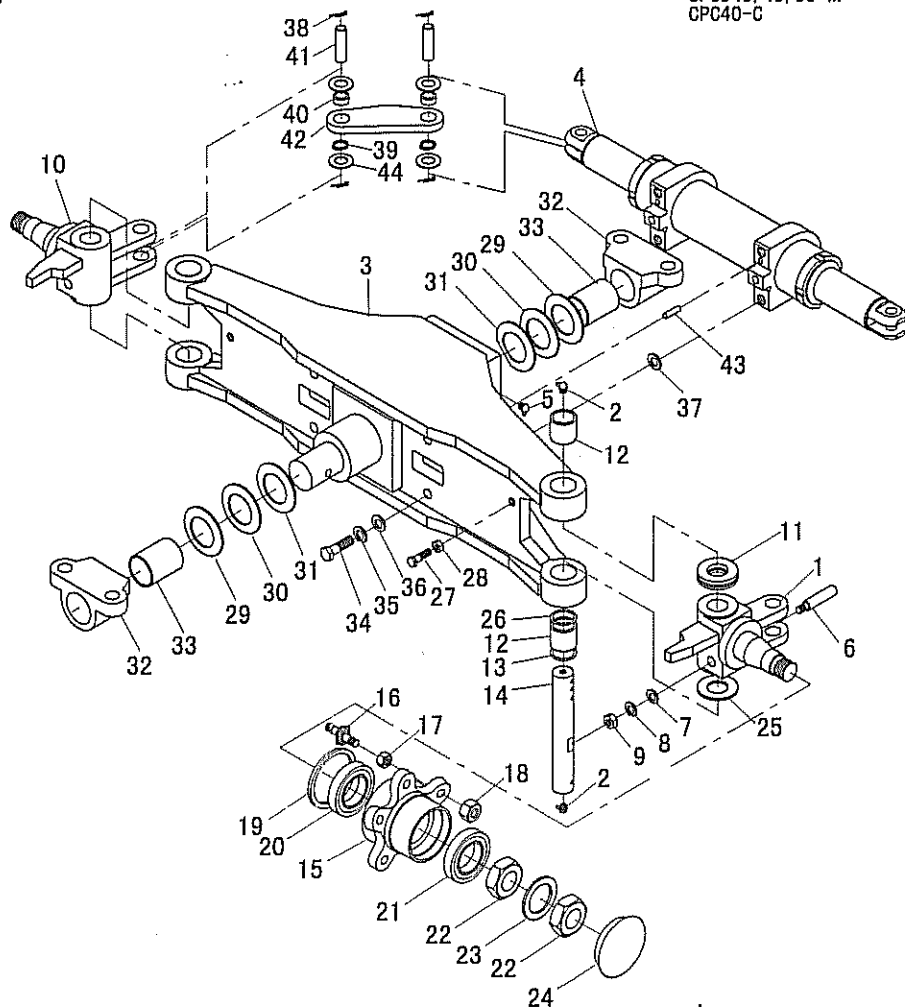
D

D2

## 转向桥/STEERING AXLE

图50/F1G50

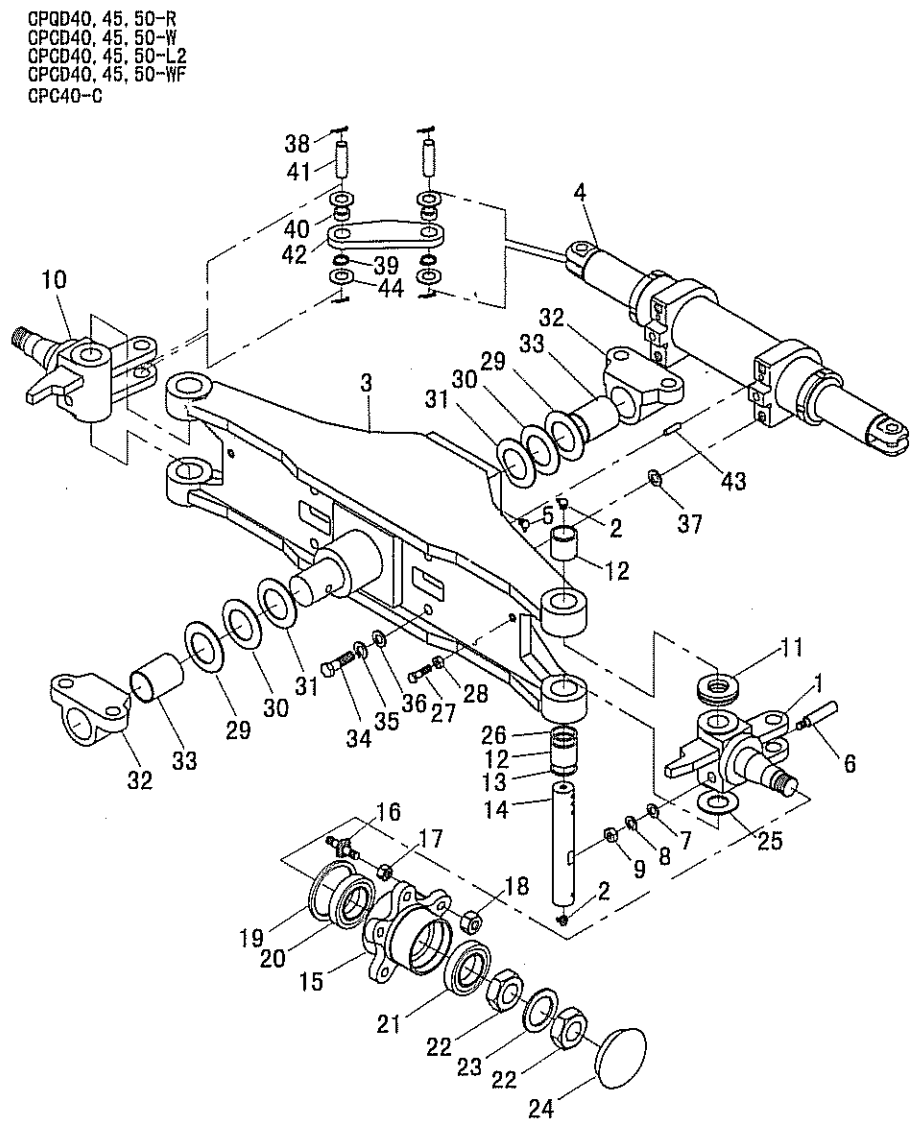
CPQD40, 45, 50-R  
 CPQD40, 45, 50-W  
 CPQD40, 45, 50-L2  
 CPQD40, 45, 50-WF  
 CPC40-C



序号 Item No	图号 Part No	零部件名称 Description	件数 Q'ty	备注 Remark
01	E01D4-10201	Left steering knuckle 左转向节总成	1	
02	Z2513-01010	Oil cup 油杯 M10X1	5	GB1153-89
03	E01D4-10301	Steering axle body 转向桥体总成	1	
04	A01D4-50001	Steering cylinder 转向油缸	1	SEE FIG37
05	Z2500-01010	Oil cup 油杯 M10X1	1	GB1153-89
06	E01D4-12141	Lock pin 锁紧销	2	
07	B5310-00010	Shim 垫圈10	2	GB97.1-85
08	B5050-00010	Washer 垫圈10	2	GB93-87
09	B4413-00010	Nut 螺母M10X1	2	GB6173-86
10	E01D4-10401	Right steering knuckle 右转向节总成	1	
11	Z000A-08109	Bearing 轴承8109	2	GB301-84
12	Z0209-94245	Bearing 轴承90942/45	4	GB290-82
13	E01D4-12151	Dust ring 防尘圈	4	
14	E01D4-12161	King pin, steering knuckle 转向节主销	2	
15	E01D4-12171	Hub 轮毂	2	
16	E01D4-12181	Hub bolt 轮毂螺栓	10	
17	E01D4-12191	Hub nut 轮毂螺母	10	
18	E01D4-12201	Nut 螺母	10	
19	E01D4-12331	Oil seal 油封PDX130X12	2	
20	Z0099-07214	Bearing 轴承1214E	2	GB297-84
21	Z0099-07511	Bearing 轴承1511E	2	GB297-84
22	B4832-00055	Nut 螺母M55X2	4	GB812-88
23	B5512-00055	Shim 垫圈55	2	GB858-88
24	E01D4-12211	Hub cover 轮毂盖	2	
25	E01D4-12221	Shim 调整垫	2	
26	E01D4-12231	Seal ring 密封圈	4	
27	B0220-16030	Bolt 螺栓M16X30	2	GB5782-86
28	B4313-00016	Nut 螺母M16	2	GB6172-86
29	E01D4-12241	Shim 调整垫	2	
30	E01D4-12251	Shim 调整垫	2	

D

序号 Item No	图号 Part No	零部件名称 Description	件数 Qty	备注 Remark
31	E01D4-12261	Shim 调整垫	2	
32	E01D4-12271	Bracket 转向桥支撑座	2	
33	E01D4-12281	Spacer 衬套	2	
34	B0220-20050	Bolt 螺栓M20X50	4	GB5782-86
35	B5050-00020	Shim 垫圈20	4	GB93-87
36	B5310-00020	Shim 垫圈20	4	GB97.1-85
37	E01D4-12291	Shim 调整垫	4	
38	B3352-04040	Pin 销4X28	8	GB879-76
39	B6052-00042	Snap ring 挡圈42	4	GB8931-86
40	E01D4-12341	Bearing 关节轴承GE250	4	GB9163-90
41	E01D4-12301	Pin, clevis 锁紧轴	4	
42	E01D4-12311	Connection rod 连杆	2	
43	E01D4-12321	Pin 定位销	2	
44	E01D4-12331	Shim 调整垫	8	



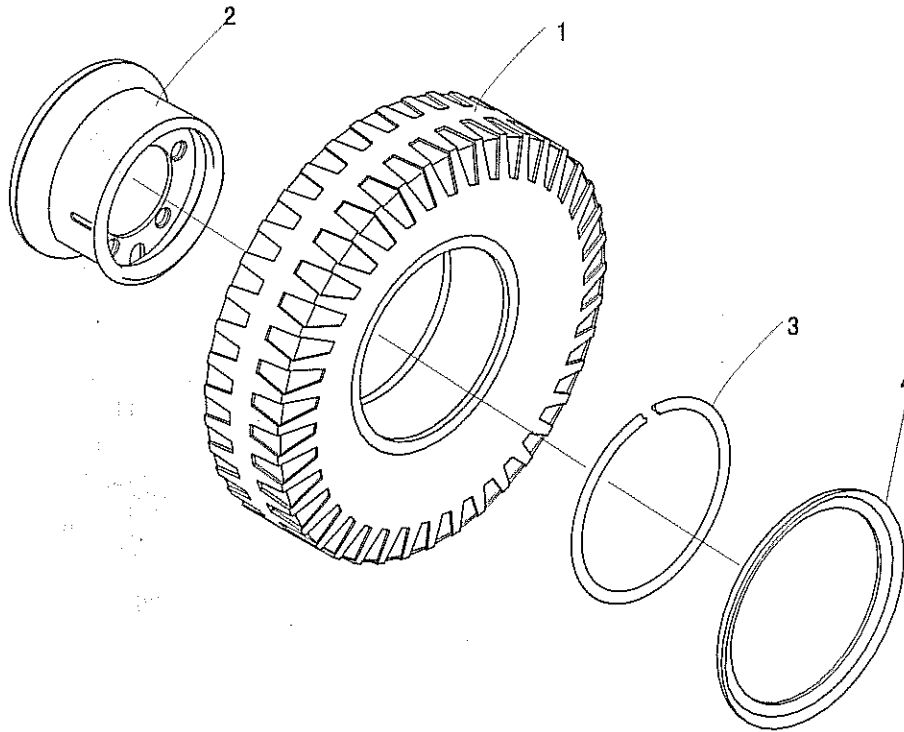
D3

## 转向轮/STEERING WHEEL

图51/F1G51

CPCD40, 45, 50-R  
CPCD40, 45, 50-W  
CPCD40, 45, 50-L2  
CPCD40, 45, 50-WF  
CPC40-C

序号 Item No	图号 Part No	零部件名称 Description	件数 Q'ty	备注 Remark
01	Z3004-70012	Trim 后轮胎700-12-12	2	
02	A01C4-40211	Rim 轮钢体	2	
03	22493-01020G2	Snap ring 车轮挡圈	2	
04	22493-01010G2	Lock ring 车轮锁圈	2	



D

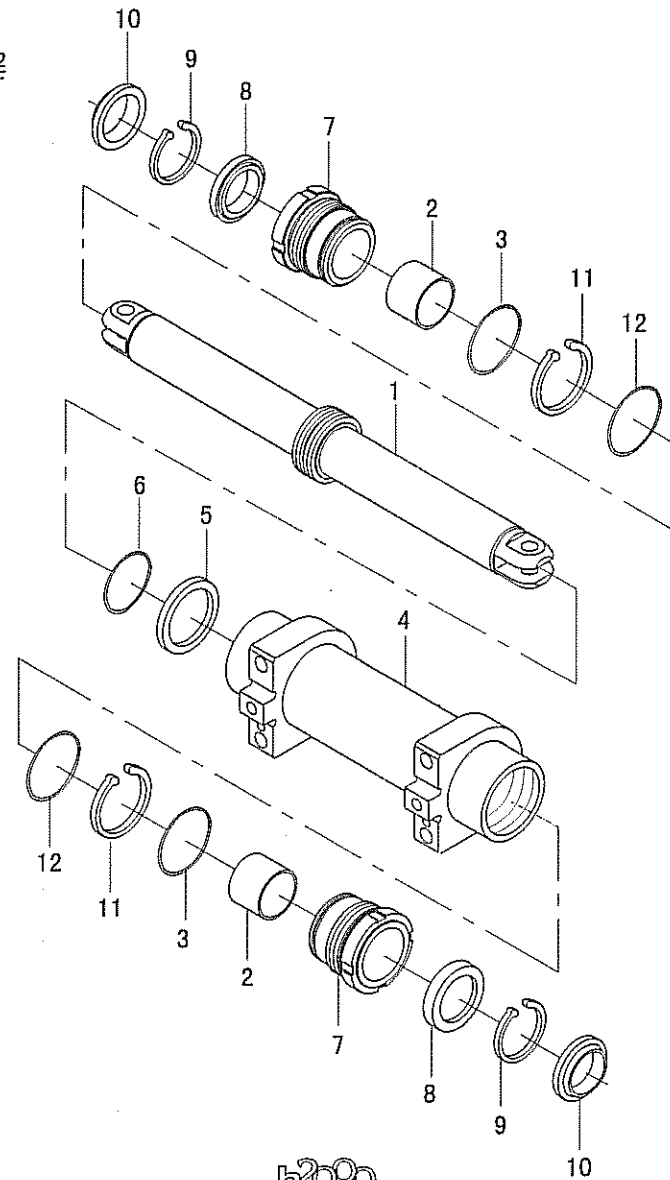
图52/FIG52

## 转向油缸/STEERING CYLINDER

D4

序号 Item No	图号 Part No	零部件名称 Description	件数 Qty	备注 Remark
A	A01D4-50201	Steering cylinder 转向油缸	1	
01	A01D4-50201	Piston rod 活塞杆	1	
02	A01D4-52101	Bearing 钢背轴承60X40	2	
03	Z6051-08004	O-ring seal O型圈80X5.3	2	GB3452.1-88
04	A01D4-50301	Cylinder body 缸体	1	
05	A01D4-52041	Retainer 支撑环	1	
06	Z6051-07504	O-ring seal O型圈75X5.3	1	GB3452.1-88
07	A01D4-52051	Cylinder cover 缸盖	2	
08	A01D4-52061	Yx-ring seal Yx型圈d60XD71X8	2	
09	A01D4-52071	Snap ring 挡圈d60XD71X3	2	
10	A01D4-52081	Dust ring 防尘圈d60XD74X8X11	2	
11	A01D4-52111	Snap ring 挡圈	2	
12	Z6051-08254	O-ring seal O型圈82.5X3.55	2	GB3452.1-88

CPQD40, 45, 50-R  
 GPCD40, 45, 50-W  
 GPCD40, 45, 50-L2  
 GPCD40, 45, 50-WF  
 CPC40-C

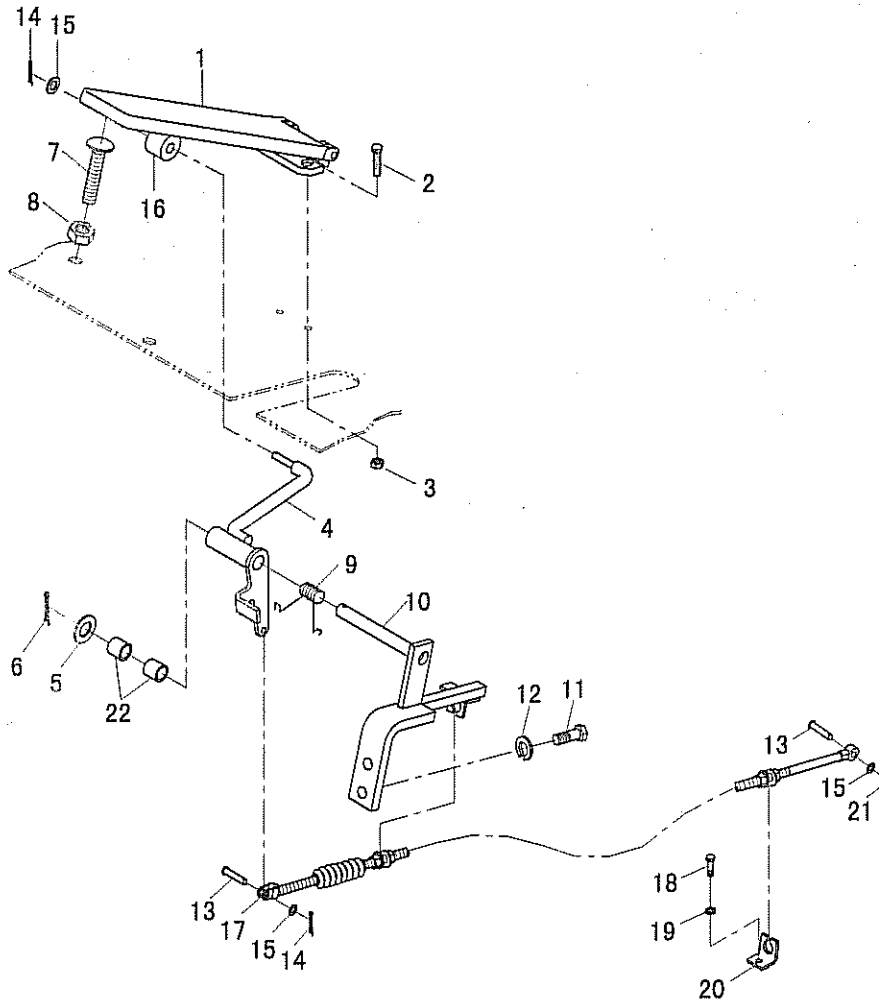


E1

## 油门操纵/ACCELERATOR PEDAL

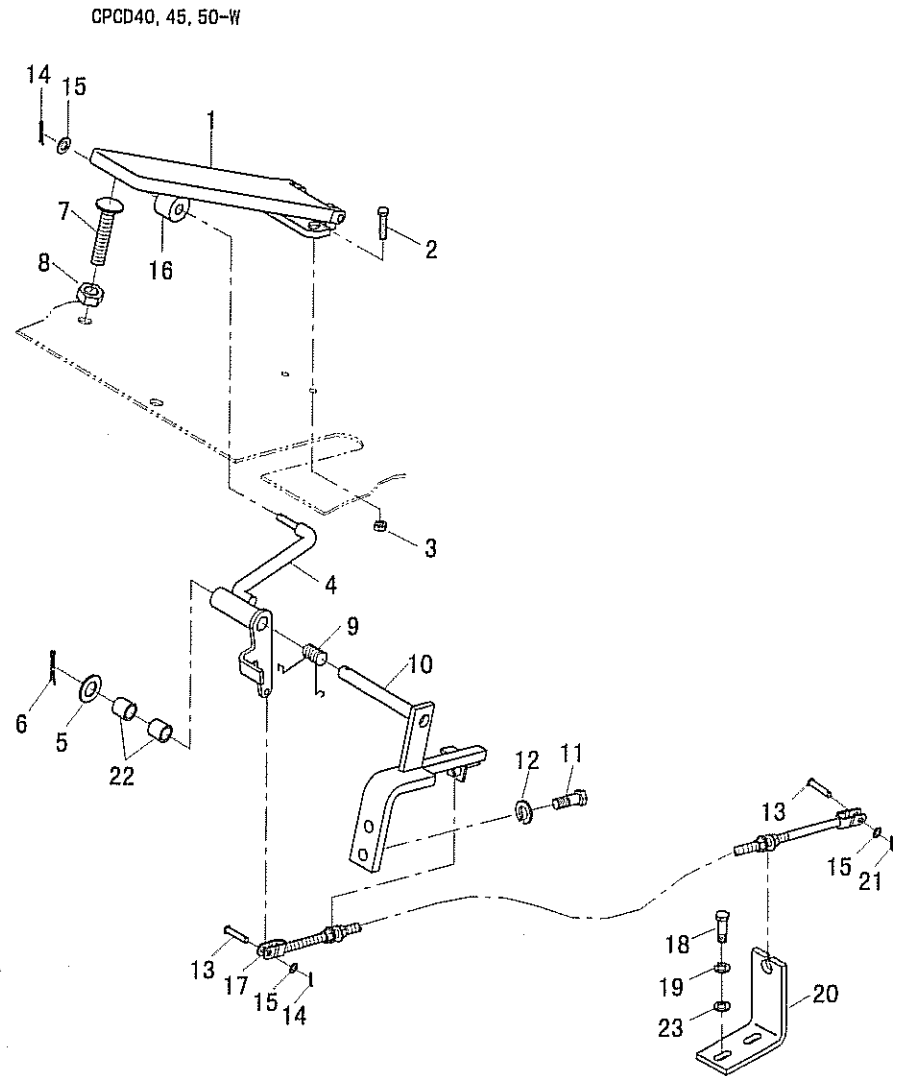
图53/FIG53

CPQD40, 45, 50-R



序号 Item No	图号 Part No	零部件名称 Description	件数 Q'ty	备注 Remark
01	A3205-20201	Pedal unit 油门踏板总成	1	
02	B0110-08020	Bolt 螺栓M8X20	2	GB5781-86
03	B4116-00008	Nut 螺母M8	2	GB6170-86
04	A3205-20301	Link, ass'y 摇臂总成	1	
05	B5313-00012	Shim 垫圈12	1	GB97.1-85
06	B3010-4P030	Pin 销4.0X30	1	GB91-86
07	A01D5-22001	Bolt 限位螺栓	1	
08	B4216-00012	Nut 螺母M10X1.25	1	GB6171-86
09	A01D5-22151	Spring 弹簧	1	
10	A3205-20401	Bracket 支架	1	
11	B0110-10025	Bolt 螺栓M10X25	2	GB5781-86
12	B5050-00010	Washer 垫圈10	2	GB93-87
13	B3220-06010	Pin 销轴B8X15	2	GB882-86
14	B3010-2P020	Pin 销2X20	3	GB91-86
15	B5313-00006	Washer 垫圈6	3	GB93-87
16	A01D5-22051	Idler wheel 滚轮	1	
17	HRA3205201	Push-pull cable 油门拉线	1	
18	B0110-06020	Bolt 螺栓M6X20	1	GB5781-86
19	B5050-00006	Washer 垫圈6	1	GB93-87
20	A3205-22071	Bracket 支板II	1	
21	B3010-10220	Pin 销1.2X20	1	GB91-86
22	Z2111-01025	Bushing 钢背轴承1215	2	

序号 Item No	图号 Part No	零部件名称 Description	件数 Qty	备注 Remark
01	H2405-60201	Pedal unit 油门踏板总成	1	
02	B0110-08020	Bolt 螺栓M8X20	2	GB5781-86
03	B4116-00008	Nut 螺母M8	2	GB6170-86
04	A3205-20301	Link, ass'y 摇臂总成	1	
05	B5313-00012	Shim 垫圈12	1	GB97.1-85
06	B3010-4P030	Pin 销4.0X30	1	GB91-86
07	A01D5-22001	Bolt 限位螺栓	1	
08	B4216-00012	Nut 螺母M12X1.25	1	GB6171-86
09	A01D5-22151	Spring 弹簧	1	
10	A3205-20401	Bracket 支架	1	
11	B0110-10025	Bolt 螺栓M10X25	2	GB5781-86
12	B5050-00010	Washer 垫圈10	2	GB93-87
13	B3220-08010	Pin 销轴8X15	2	GB882-86
14	B3010-2F020	Pin 销2X20	3	GB91-86
15	B5313-00006	Washer 垫圈6	3	GB93-87
16	A01D5-22051	Idler wheel 滚轮	1	
17	HRA33D5201	Push-pull cable 油门拉线	1	
18	B0110-08020	Bolt 螺栓M8X20	2	GB5781-86
19	B5050-00008	Washer 垫圈8	2	GB93-87
20	A33D5-22002A	Bracket 支架	1	
21	B3010-10220	Pin 销1.2X20	1	GB91-86
22	Z2111-01025	Bushing 钢背轴承1215	2	
23	B5313-00008	Shim 垫圈8	2	GB97.1-85



E

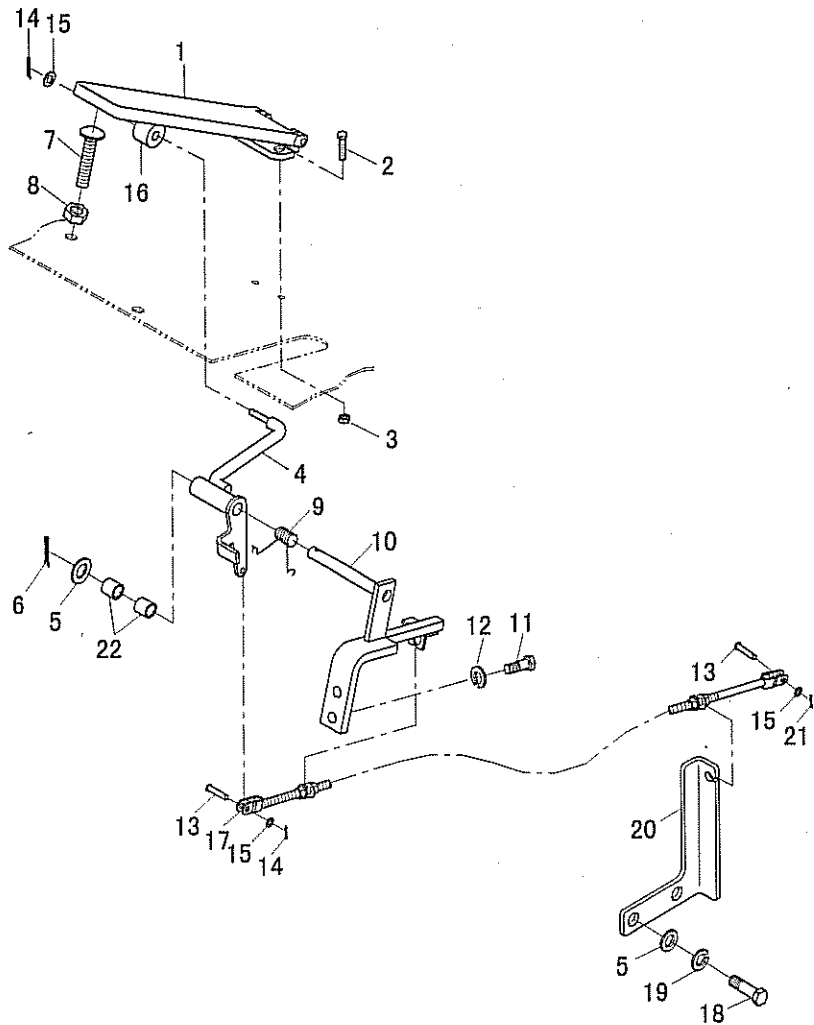




E3

## 油门操纵/ACCELERATOR PEDAL

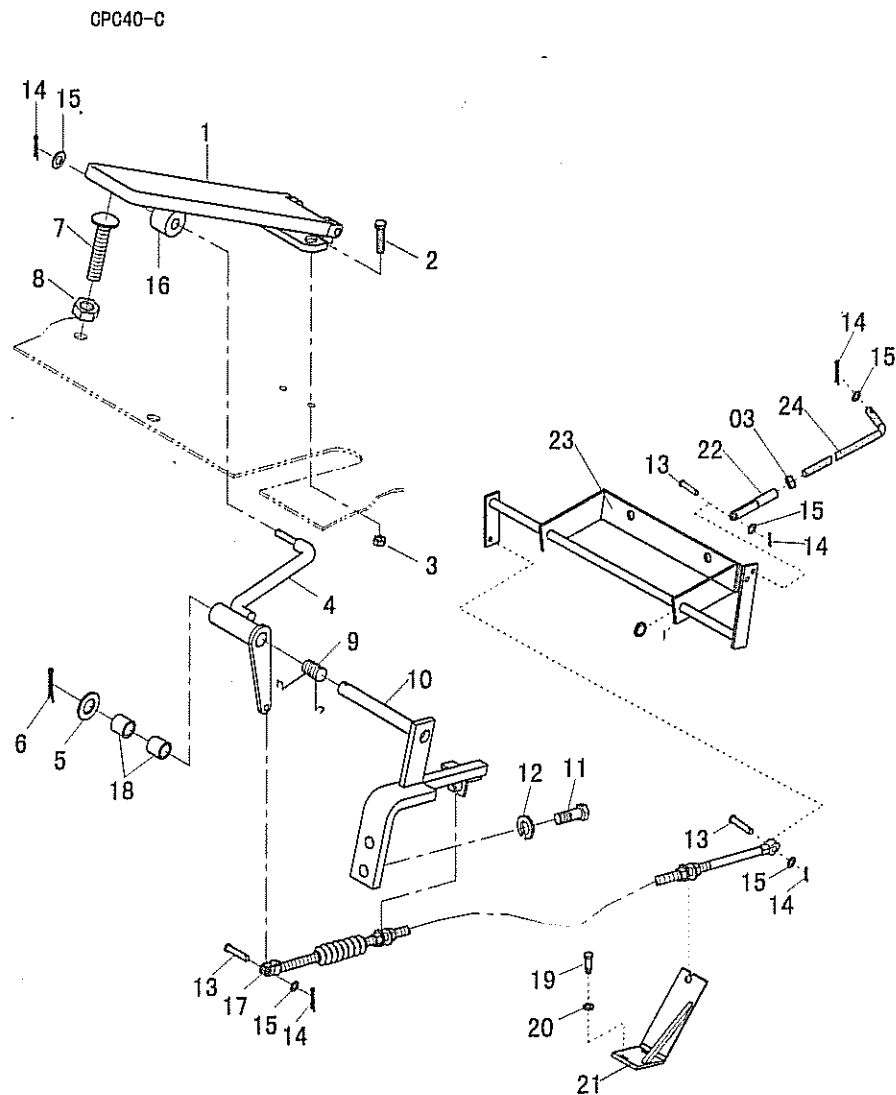
图55/FIG55

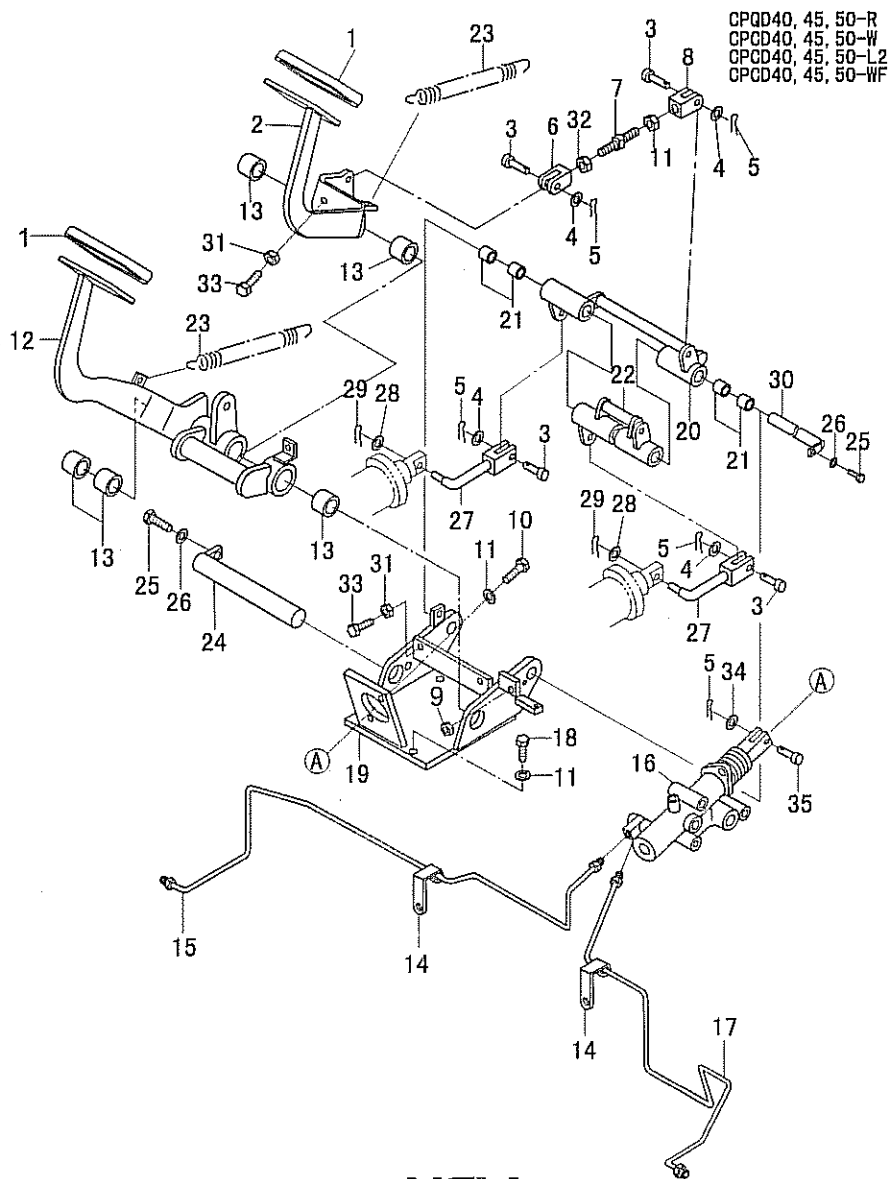
GPCD40, 45, 50-L2  
GPCD40, 45, 50-WF

序号 Item No	图号 Part No	零部件名称 Description	件数 Qty	备注 Remark
01	H2405-60201	Pedal unit	1	油门踏板总成
02	B0110-08020	Bolt	2	螺栓MBX20
03	B4116-00008	Nut	2	螺母M3
04	A3205-20301	Link, ass'y	1	摇臂总成
05	B5313-00012	Shim	3	垫圈12
06	B3010-4P030	Pin	1	销4.0X30
07	A01D5-22001	Bolt	1	限位螺栓
08	B4216-00012	Nut	1	螺母M12X1.25
09	A01D5-22151	Spring	1	弹簧
10	A3205-20401	Bracket	1	支架
11	B0110-10025	Bolt	2	螺栓M10X25
12	B5050-00010	Washer	2	垫圈10
13	B3220-06010	Pin	2	销轴B8X15
14	B3010-2P020	Pin	3	销2X20
15	B5313-00006	Washer	3	垫圈6
16	A01D5-22051	Idler wheel	1	滚轮
17	HRA01D5201	Push-pull cable	1	油门拉线
18	B0110-12030	Bolt	2	螺栓M12X30
19	B5050-00012	Washer	2	垫圈12
20	A3205-23001	Bracket	1	支架
21	B3010-10220	Pin	1	销1.2X20
22	Z2111-01025	Bushing	2	钢背轴承1215

E

序号 Item No	图号 Part No	零部件名称 Description	件数 Q'ty	备注 Remark
01	H24C5-60201	Pedal unit 油门踏板总成	1	
02	B0110-06020	Bolt 螺栓M6X20	2	GB5781-86
03	B4116-00006	Nut 螺母M6	3	GB6170-86
04	A32C5-20301	Link, ass'y 摇臂总成	1	
05	B5313-00012	Shim 垫圈12	1	GB97.1-85
06	B3010-4P030	Pin 销4.0X30	1	GB91-86
07	A01D5-22001	Bolt 限位螺栓	1	
08	B4216-00012	Nut 螺母M12X1.25	1	GB6171-86
09	A01D5-22151	Spring 弹簧	1	
10	A32C5-20401	Bracket 支架	1	
11	B0110-10025	Bolt 螺栓M10X25	2	GB5781-86
12	B5050-00010	Washer 垫圈10	2	GB93-87
13	B3220-06015	Pin 销轴B6X15	3	GB882-86
14	B3010-2P020	Pin 销2X20	4	GB91-86
15	B5313-00006	Washer 垫圈6	4	GB93-87
16	A01D5-22051	Idler wheel 滚轮	1	
17	HRA01D5201	Push-pull cable 油门拉线	1	
18	Z2111-01025	Bushing 钢背轴承1215	2	
19	B0110-10020	Bolt 螺栓M10X20	2	GB5781-86
20	B5050-00010	Washer 垫圈10	2	GB93-87
21	A03R5-20201	Bracket 支架	1	
22	A03R5-22031	Connect 接头	1	
23	A03R5-20301	Bracket Ass'y 支架总成	1	
24	A03R5-22091	Pull-back mast 拉杆	1	





序号 Item No	图号 Part No	零部件名称 Description	件数 Q'ty	备注 Remark
01	A01D5-42001	Cover, pedal head	踏板垫	2
02	A32C5-40201	Pedal	微动踏板	1
03	B3220-08026	Pin, clevis	销轴8X20	4 GB882-86
04	B5313-00008	Shim	垫圈8	4 GB97.1-86
05	B3010-30230	Pin, cotter	销8	4 GB91-86
06	A01D5-42031	Yoke, right	右接头	1
07	A01D5-42021	Rod	调节螺杆	1
08	A01D5-42401	Yoke, left	左接头	1
09	B4216-00010	Nut	螺母M10X1.25	1 GB6171-86
10	B0520-10020	Bolt	螺栓M10X1.25X20	1 GB5786-86
11	B5050-00010	Washer	垫圈10	6 GB93-87
12	A32C5-40301	Brake, pedal	制动踏板	1
13	Z2112-02525	Bushing	钢背轴承2525	5
14	A01D5-42141	Clip	管卡	2
15	A32C5-40501	Pipe R.H, brake	油管总成(右)	1
16	A01D5-41101	Master cylinder	微动阀	1
17	A32C5-40601	Pipe L.H, brake	油管总成(左)	1
18	B0520-10025	Bolt	螺栓M10X1.25X25	4 GB5786-86
19	A32C5-40701	Bracket, pedal	支架	1
20	A32C5-40801	Rod	微动摇杆	1
21	Z2112-01515	Bushing	钢背轴承1515	8
22	A32C5-40901	Rod	换挡摇杆	1
23	A01D5-42011	Spring	弹簧	2
24	A32C5-41001	Pin, clevis	销轴1	1
25	B0110-06016	Bolt	螺栓M6X20	2 GB5781-86
26	B5050-00006	Washer	垫圈6	2 GB93-87
27	A32C5-41101	Rod, connecting	拉杆	2
28	B5313-00006	Shim	垫圈6	2 GB97.1-86
29	B3010-02030	Pin, clevis	销2X20	2 GB91-86
30	A32C5-41201	Pin, clevis	销轴11	1

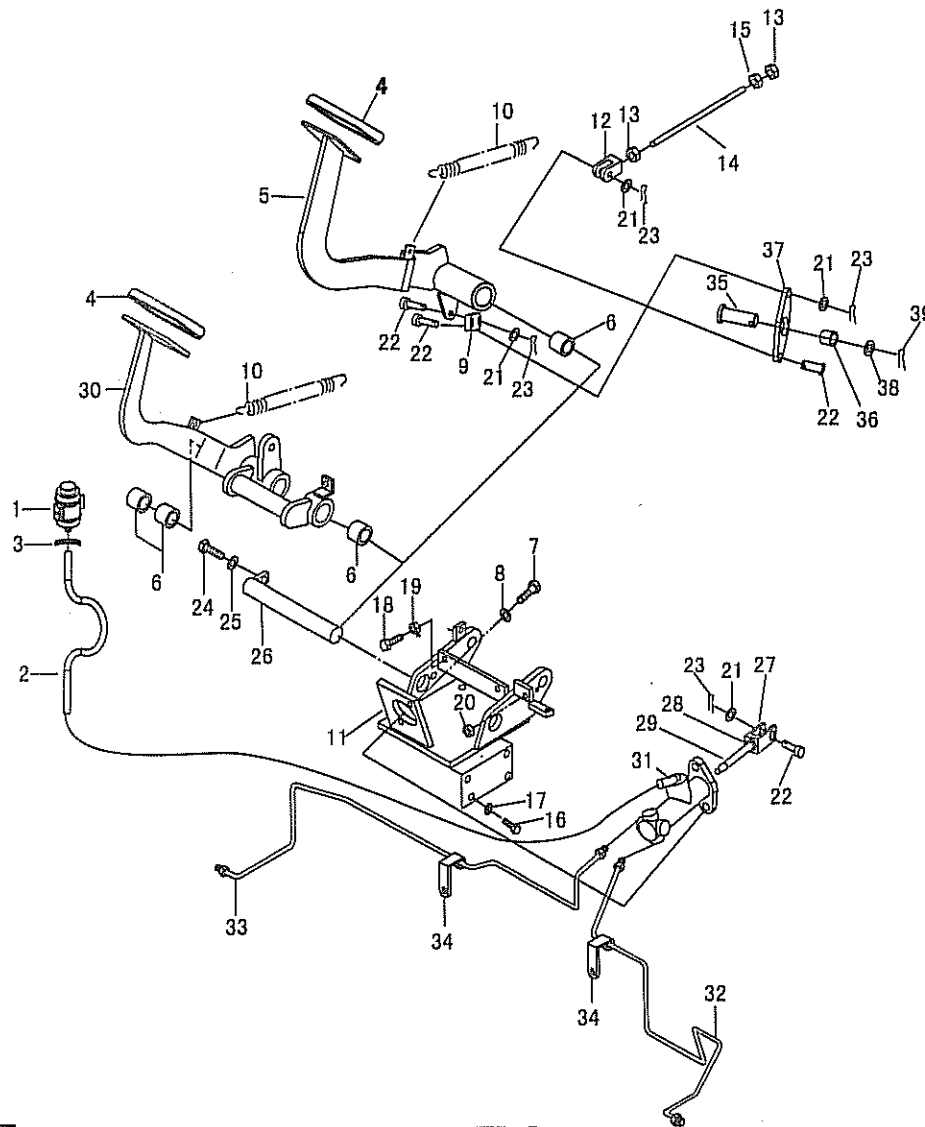


E6

## 行车制动与离合操纵装置 (拉杆式) / BRAKE &amp; CLUTCH CONTROL (TELESCOPIC)

图58/FIG58

GPC40-C

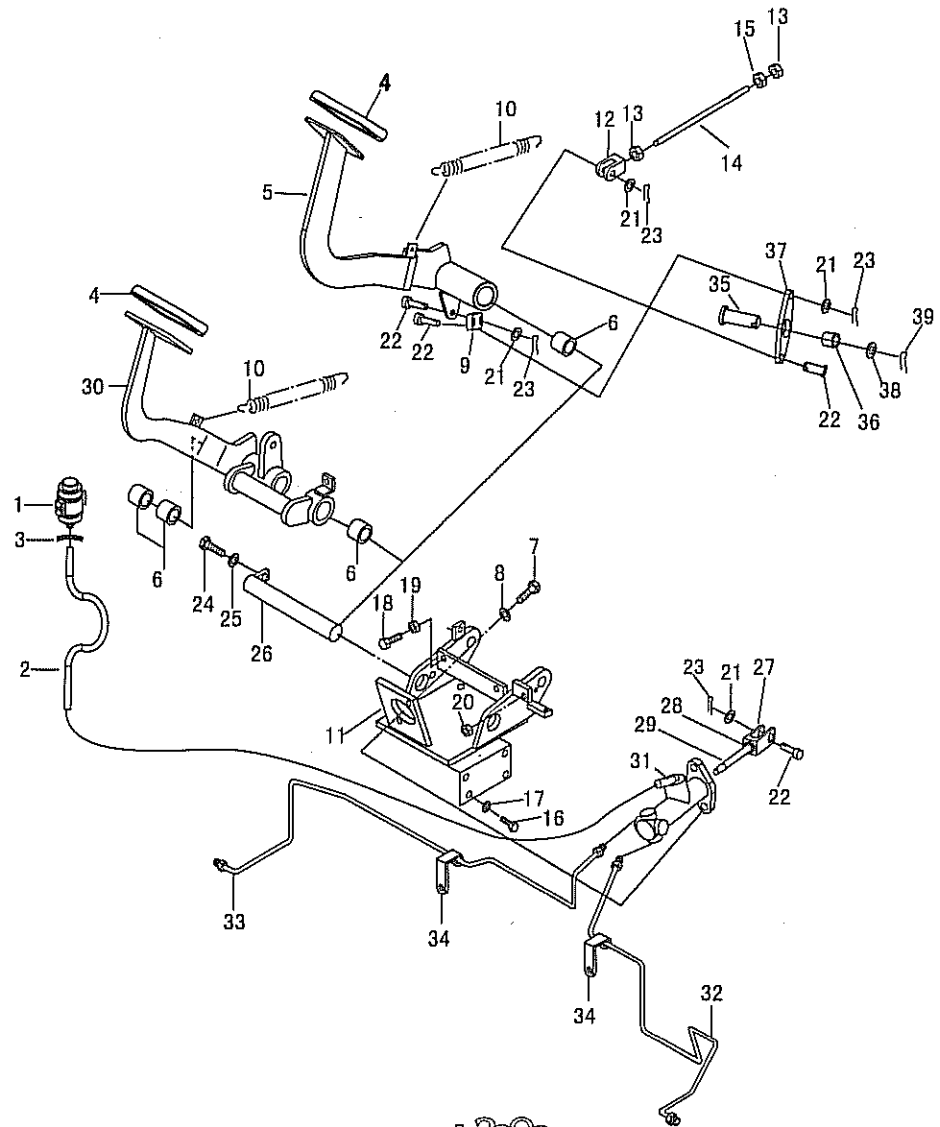


序号 Item No	图号 Part No	零部件名称 Description	件数 Qty	备注 Remark
01	23775-42102	Oil receiver	1	储油罐
02	B2115-10120	Hose, brake	1	制动液压胶管 $\phi 9.5 \times 1200$
03	Z4570-00016	Clip	2	双钢丝卡箍 $\phi 16$
04	A01D5-42001	Head cover	2	踏板垫
05	A03R5-40202	Pedal	1	离合踏板
06	Z2112-02525	Bearing	4	缸背轴承2525
07	B0520-08020	Bolt	2	螺栓M8X20
08	B5050-00008	Washer	4	垫圈8
09	A03R5-42002	Rod	2	连杆
10	A01D5-42011	Spring	2	弹簧
11	A03R5-40302	support	1	支架
12	A01D7-42001	Socket	1	接头
13	B4126-00010	Nut	2	螺母M10
14	A03R5-42072	Rod	1	拉杆
15	B4219-00010	Nut	1	螺母M10
16	B0520-12025	Bolt	4	螺栓M12X30
17	B5050-00012	Washer	4	垫圈12
18	B0110-10045	Bolt	2	螺栓M10X45
19	B4116-00010	Nut	2	螺母M10
20	B4216-00010	Nut	1	螺母M10X1.25
21	B5210-00008	Washer	4	垫圈8
22	B3222-10026	Axis Pin	4	销轴8X26
23	B3010-3P230	Stud	4	销3.2X30
24	B0110-06016	Bolt	2	螺栓M6X16
25	B5050-00006	Washer	2	垫圈6
26	A03R5-40701	Axis Pin	1	销轴 I
27	A05R5-42021	Socket	1	接头
28	B4116-00008	Nut	1	螺母M8
29	A05R5-42031	Rod	1	杆
30	A03R5-40801	Pedal, Brake	1	制动踏板

E

序号 Item No	图号 Part No	零部件名称 Description	件数 Qty	备注 Remark
31	25595-40302 TC0010-35051000	Master Cylinder	1	制动总泵总成
32	A03R5-40901	Oil pipe, left	1	油管总成(左)
33	A03R5-41001	Oil pipe, right	1	油管总成(右)
34	24455-42211	Pipe clamp	3	管卡
35	A03R5-42012	Axis pin	1	销轴II
36	Z2112-01415	Bearing	1	缸背轴承1415
37	A03R5-40502	Rod	1	摇杆
38	B5310-00014	Washer	1	垫圈14 GB97.1-86
39	B3010-3P236	Stud	1	销3.2x36 GB91-86

OPC40-C

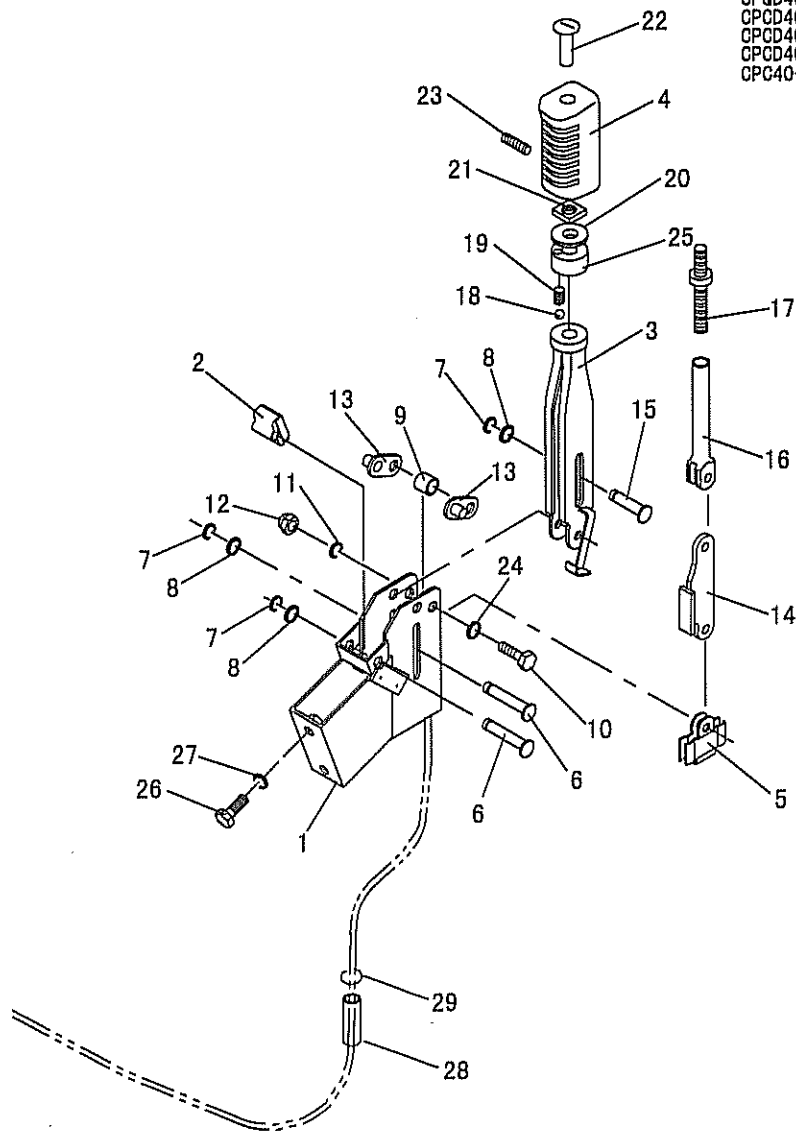


E7

## 停车制动/BRAKE LEVER

图59/F | G59

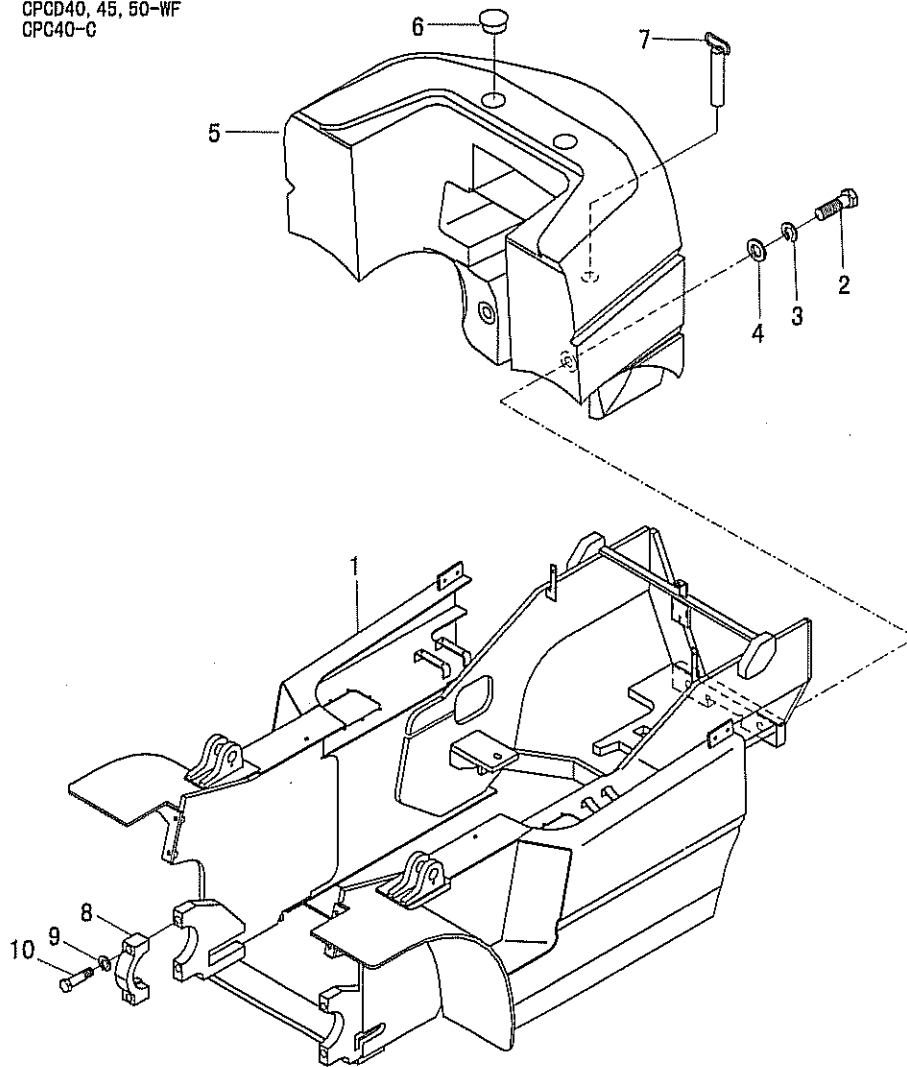
CPQD40, 45, 50-R  
CPCD40, 45, 50-W  
CPCD40, 45, 50-L2  
CPCD40, 45, 50-WF  
CPC40-C



序号 Item No	图号 Part No	零部件名称 Description	件数 Qty	备注 Remark
01	A01D5-50301	Bracket	1	支架总成
02	A01D5-50401	Packing	1	缓冲垫
03	A01D5-50501	Plate, control	1	闸把
04	A01D5-52021	Hand, knob	1	把手
05	A01D5-52031	Bracket	1	封线架
06	A01D5-52041	Pin, shaft	2	销轴
07	B6152-00008	Snap. ring	3	卡簧
08	B5111-00008	Washer	3	垫圈8
09	A01D5-52051	Bushing	1	套
10	B0330-10045	Bolt	1	螺栓M10X45
11	B5052-00010	Washer	1	垫圈10
12	GB932-88 A01D5-52061	Nut	1	盖形螺母M10
13	A01D5-50601	Pin, shaft	2	支承销
14	A01D5-50701	Plate	1	拉紧板
15	A01D5-52071	Pin, shaft	1	销轴
16	A01D5-50801	Screw body	1	拉杆
17	A01D5-52081	Bolt	1	螺杆
18	Z1520-G0060	Ball	1	钢球Φ6
19	A01D5-52091	Spring	1	压簧
20	A01D5-52101	Washer	1	垫圈
21	A01D5-52111	Nut	1	方形螺母M8
22	GB73-85	Screw	1	螺钉M4
23	A01D5-52121	Screw rad	1	调节螺杆
24	B5110-00010	Washer	1	垫圈10
25	A01D5-52131	Nut	1	螺母
26	B8110-10030	Bolt	2	螺栓M10X30
27	B5050-00010	Washer	2	垫圈10
28	A01D5-50201	Band	2	护套
29	90D-91-1	Clip	4	尼龙扎带

E

序号 Item No	图号 Part No	零部件名称 Description	件数 Qty	备注 Remark	
01	A33D6-10003	Frame	车架	1	BBQ1
-	A32C6-10003	Frame	车架	1	TB42G
-	A03D6-10003	Frame	车架	1	LR4105G4H
-	A05D6-10003	Frame	车架	1	L4105025
-	A03R6-10001	Frame	车架	1	CY4102BQ-01
02	B0230-30150	Bolt	螺栓M30X150	2	GB5782-80 5t
-	B0230-30110	Bolt	螺栓M30X110	2	GB5782-80 4t, 4.5t
03	B5050-00030	Washer	垫圈30	2	GB93-87
04	B5210-00030	Washer	大垫圈30	2	GB96-85
05	A30C6-30001	Counter weight	平衡重体	1	4t
-	A32C6-30001	Counter weight	平衡重体	1	4.5t
-	A01D6-30001	Counter weight	平衡重体	1	5t
06		Cap	盖	2	
07	A01D6-30201	Pin	牵引销	1	
08	A01D6-12121	Cap, front axle support	支座盖	1	
09	B5052-00020	Washer	垫圈20	4	GB93-87
10	B0420-20085	Bolt	螺栓M20X1.5X85	4	GB5785-80



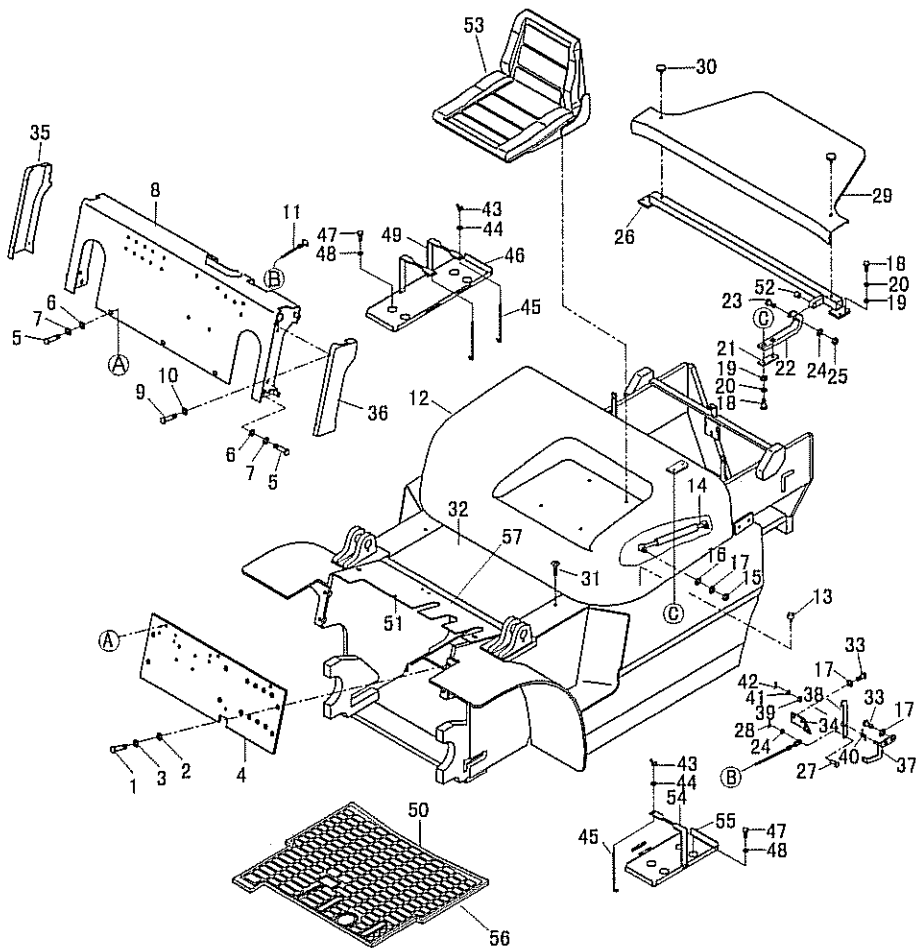


F2

## 机罩、底板及座椅/HOOD, FLOOR BOARD &amp; SEAT

图61/F1G61

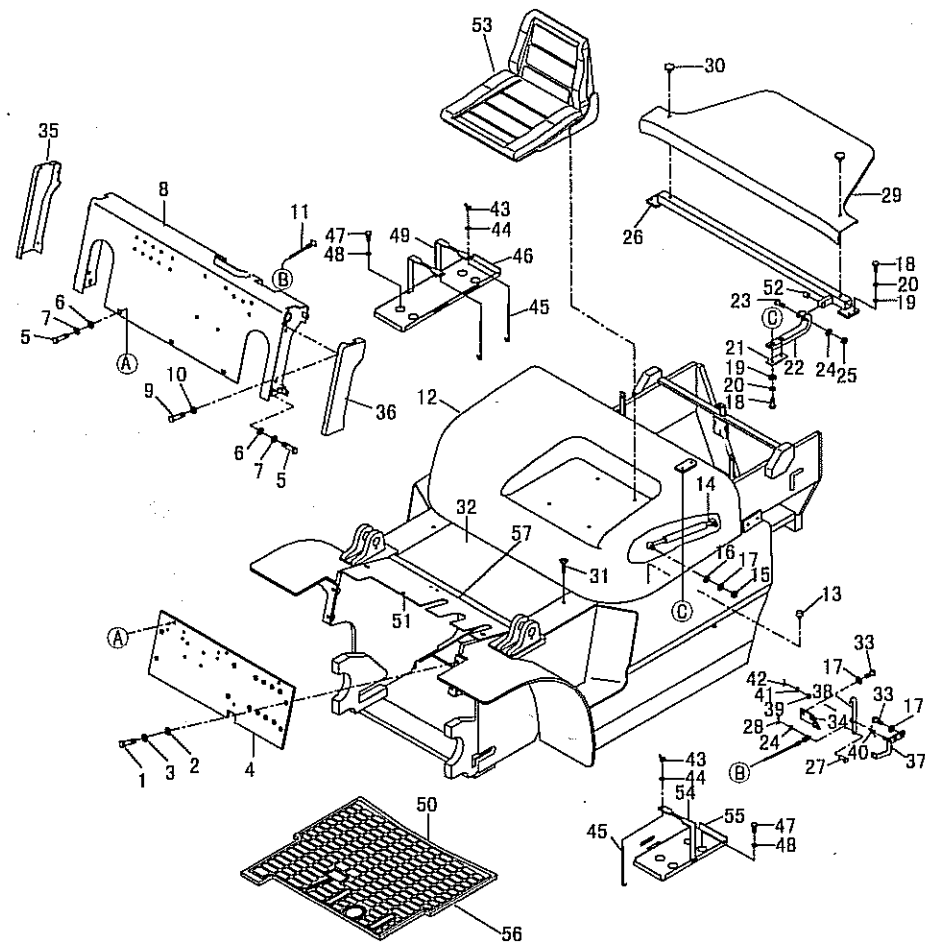
CPQD40, 45, 50-R  
CPCD40, 45, 50-W  
CPCD40, 45, 50-L2  
CPCD40, 45, 50-WF  
CPC40-C



序号 Item No	图号 Part No	零部件名称 Description	件数 Qty	备注 Remark
01	B0110-16035	Bolt	4	螺栓M16X16 GB5781-86
02	B5313-00016	Shim	4	垫圈16 GB97.1-86
03	B5052-00016	Washer	4	垫圈16 GB93-87
04	A33D6-40202	Plate	1	前大板
05	B0110-12025	Bolt	7	螺栓M12X25 GB5781-86
06	B5313-00012	Shim	7	垫圈12 GB97.1-86
07	B5012-00012	Washer	7	垫圈12 GB93-87
08	A33D6-40302	Cabinet	1	仪表架
09	B1010-06016	Screw	8	螺钉M6X16 GB65-85
10	B5313-00005	Shim	8	垫圈6 GB97.1-86
11	A01D6-41001	Push-pull cable	1	拉索总成
12	A33D6-40402	Bonnet	1	内燃机罩
13	A01D6-40602	Stopper	2	支脚
14	D32C09A-AA680N HRA01D6403	Shock, absorber	1	气弹簧
15	B4116-00008	Nut	2	螺母M3 GB6170-86
16	B5313-00008	Shim	2	垫圈3 GB97.1-86
17	B5052-00008	Washer	8	垫圈3 GB93-87
18	B0110-10040	Bolt	8	螺栓M10X40 GB5781-86
19	B5313-00010	Shim	8	垫圈10 GB97.1-86
20	B5052-00010	Washer	8	垫圈10 GB93-87
21	A33D6-42171	Shim	4	调整垫
22	A01D6-40701	Hinge	2	铰链
23	A24K6-42411	Bolt	2	螺栓
24	B5013-00006	Shim	3	垫圈6 GB97.1-86
25	B4116-00008	Nut	2	螺母M6 GB6170-86
26	A01D6-40801	Hook	1	支架
27	B3322-06025	pin, clevis	6	销轴 GB882-86
28	B3010-02020	pin	1	开口销2X20 GB91-86
29	A33D6-42162	Cover	1	水箱盖板
30	A22A6-42511	Screw	2	螺钉

F

序号 Item No	图号 Part No	零部件名称 Description	件数 Qty	备注 Remark
31	A01D6-42341	Screw	螺钉	2
32	A33D6-40301	Floor board	后底板总成	1
33	B0110-08020	Bolt	螺栓M8X20	4 GB5781-86
34	A01D6-40401	Hook	锁环支架	1
35	A33D6-42072	Cover, right	护罩(左)	1
36	A33D6-42062	Cover, left	护罩(右)	1
37	A24K6-40811	Bracket	支架	1
38	A24K6-40821	Joint	连杆	1
39	Z2131-01010	Bushing	钢背轴承1010	1
40	A24K6-42511	Spring	弹簧	1
41	B5313-00010	Shim	垫圈10	1 GB97.1-86
42	B3010-04020	Pin	销4X20	1 GB91-86
43	B4910-00006	Nut	螺母M6	2 GB62-88
44	B5310-00006	Shim	垫圈6	2 GB97.1-85
45	A01D6-43001	Rod	挂钩	2 Diesel Gasoline
46	A33D6-40301	Battery bracket	蓄电池座	1 Diesel
47	B0320-08016	Bolt	螺栓M8X16	4 GB5782-86
48	B5050-00008	Washer	垫圈8	4 GB93-87
49	11196-40021G	Lock arm	电瓶固定支架	2 Diesel
50	A33D6-52102	step	底板垫	1
51	A33D6-50202	Floor board	前底板总成	1
52	A24K6-42401	Pushing	套	2
53	A01D6-70001	Seat	座椅	1
54	A32C6-42001	Lock arm	电瓶固定支架	1 Gasoline
55	A32C6-40202	Battery bracket	蓄电池座	1 Gasoline
56	A03R6-52021	Step	底板垫	1 用于CPC40-C
57	A03R6-50301	Floor board	后底板总成	1 用于CPC40-C

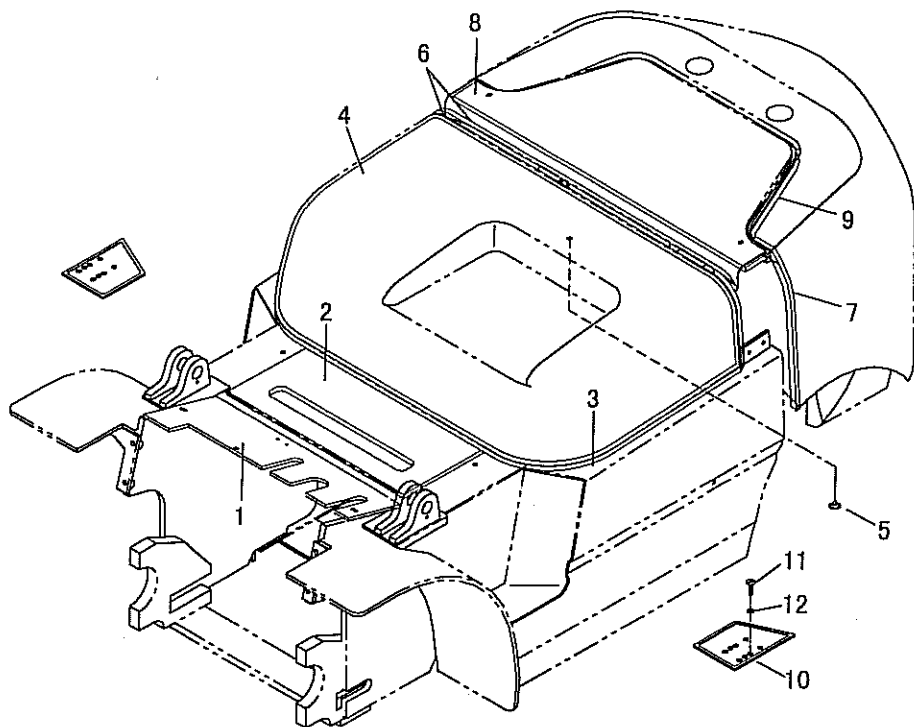


F3

## 隔热垫及垫/INSULATOR &amp; MAT

图62/FIG62

CPQD40, 45, 50-R  
CPCD40, 45, 50-W  
CPCD40, 45, 50-L2  
CPCD40, 45, 50-WF  
CPC40-C



序号 Item No	图号 Part No	零部件名称 Description	件数 Q'ty	备注 Remark
01	A33D6-52052	Rubber, floor board 前底板隔音垫	1	
02	A33D6-52062	Rubber, floor board 后底板隔音垫	1	
03	HRA01D6405 A01D6-42401	Edging 密封条	1	
04	A33D6-52072	Insulator 隔热垫	1	
05	A01D6-42341	Bolt 螺钉	10	
06	HRA24K6408	Edging 密封条	2	L=1850
07	HRA01D6404 A01D6-42381	Edging 密封条	2	L=1250
08	A01D6-42351	Rubber, cover 水箱盖板隔音垫	1	
09	HRA01D6405 A01D6-42391	Edging 密封条	2	
10	A33D6-52112	Step 踏板垫	2	
11	B1010-00008	Bolt 螺钉MBX20	8	GB65-85
12	B5310-00008	Shim 垫圈B	8	GB97.1-85

F

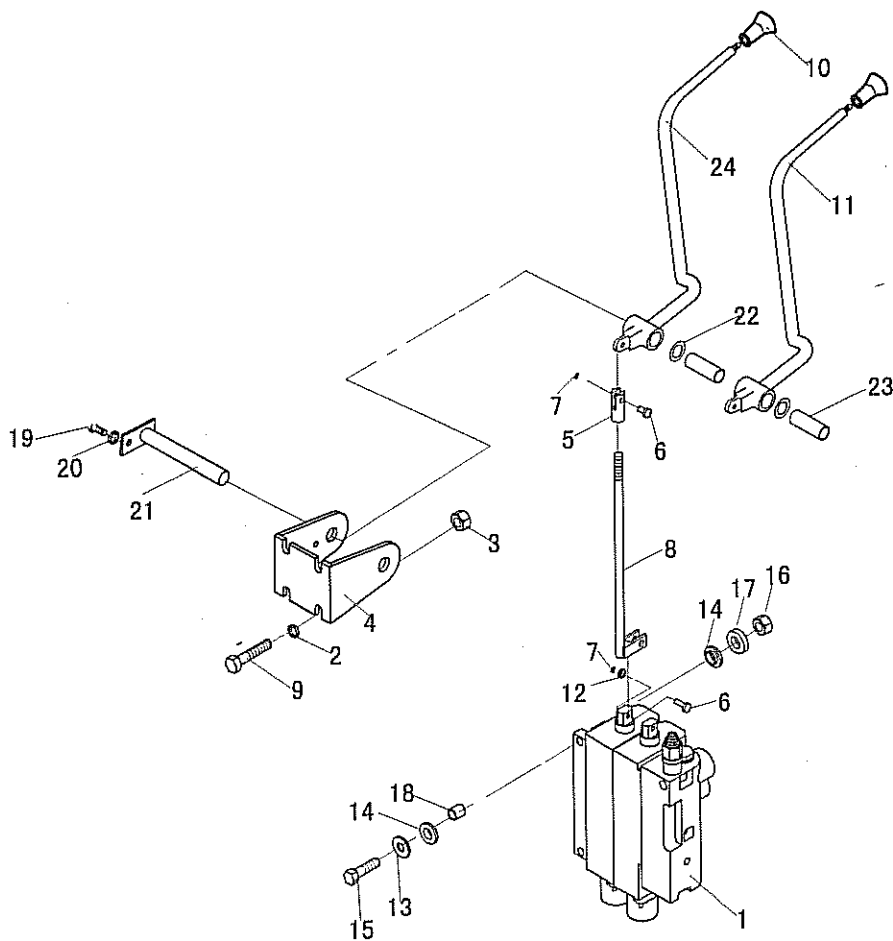


G2

## 操纵杆总成 (二片) / VALVE CONTROL LINKAGE (TWO-THROW)

图 64/F1G64

CPQD40, 45, 50-R  
CPCD40, 45, 50-W  
CPCD40, 45, 50-L2  
CPCD40, 45, 50-WF  
CPC40-C

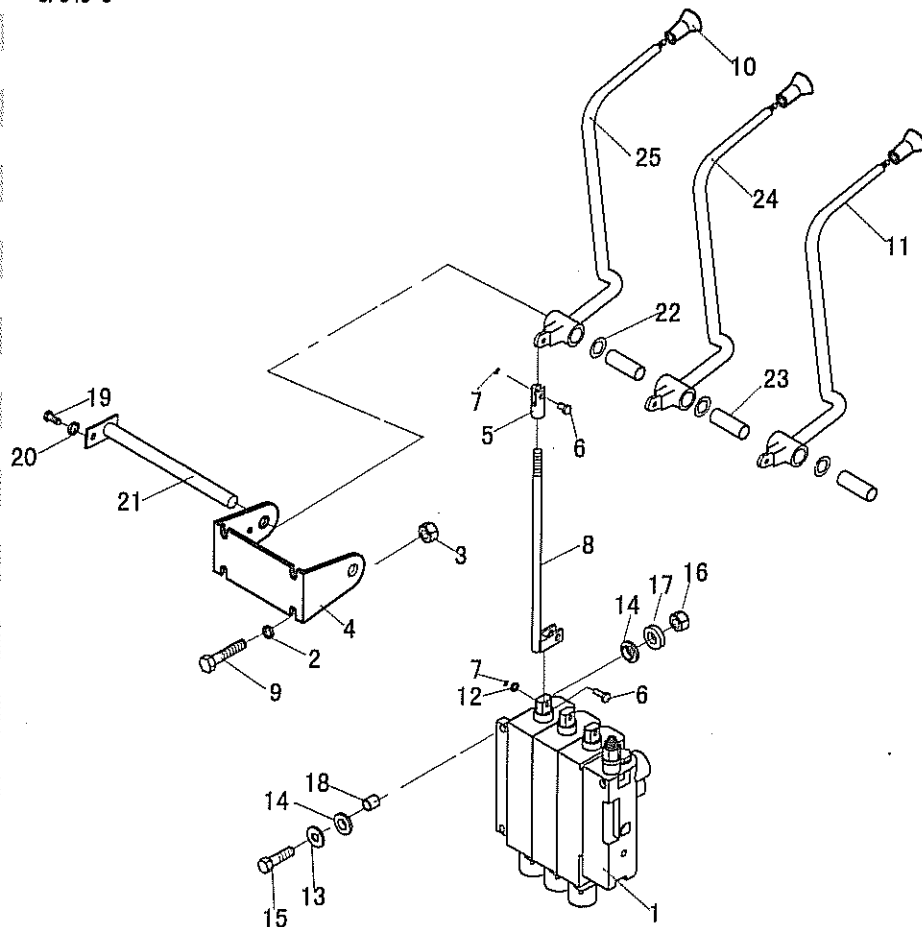


序号 Item No	图号 Part No	零部件名称 Description	件数 Qty	备注 Remark
01	A01D7-40301	Control valve	多路阀	1
02	B5052-00010	Washer	垫圈10	4 GB93-87
03	B4116-00010	Nut	螺母M10	4 GB6170-86
04	A01D7-42061	Bracket	操纵杆托架	1
05	A01D7-42001	Connector	接头	2
06	B3222-08024	Pin	销轴Φ6X24	4 GB882-86
07	B3010-3P216	Pin	销3.2X16	4 GB91-86
08	A01D7-40201	Joint	拉杆	2
09	B0110-10025	Bolt	螺栓M10X25	4 GB5781-86
10	HRA01D7406	Knob	手柄	2
11	A01D7-40701	Lever, lift	升降操纵杆	1
12	B5313-00008	Shim	垫圈8	4 GB97.1-86
13	A01D7-42011	Shim	垫圈1	4
14	A01D7-42021	Rubber	橡胶垫	8
15	B0010-12060	Bolt	螺栓M12X60	4 GB5780-86
16	B4116-00012	Nut	螺母M12	4 GB6170-86
17	B0110-00012	Washer	垫圈12	4 GB93-87
18	A01D7-42031	Bushing	套筒	4
19	B0110-06010	Bolt	螺栓M6X10	1 GB5781-86
20	B5052-00006	Washer	垫圈6	1 GB93-87
21	A01D7-41201	Pin	销轴	1
22	A01D7-42041	Shin	垫圈11	1
23	A01D7-42051	Bushing	衬套	2
24	A01D7-40801	Lever, tilt	倾斜操纵杆	1

G

序号 Item No	图号 Part No	零部件名称 Description	件数 Q'ty	备注 Remark
01	A01D7-40401	Control valve	多路阀	1
02	B5052-00010	Washer	垫圈10	4 GB93-87
03	B4116-00010	Nut	螺母M10	4 GB6170-86
04	A01D7-42071	Bracket	操纵杆托架	1
05	A01D7-42001	Connector	接头	3
06	B3222-08024	Pin	销轴6X24	6 GB882-86
07	B3010-3P216	Pin	销3.2X16	6 GB91-86
08	A01D7-40201	Joint	拉杆	3
09	B0110-10025	Bolt	螺栓M10X25	4 GB5781-86
10	HRA01D7406	Knob	手柄	3
11	A01D7-40701	Lever, lift	升降操纵杆	1
12	B5313-00008	Shim	垫圈8	4 GB97.1-86
13	A01D7-42011	Shim	垫圈1	4
14	A01D7-42021	Rubber	橡胶垫	8
15	B0010-12060	Bolt	螺栓M12X60	4 GB5780-86
16	B4116-00012	Nut	螺母M12	4 GB6170-86
17	B0110-00012	Washer	垫圈12	4 GB93-87
18	A01D7-42031	Bushing	套筒	4
19	B0110-06010	Bolt	螺栓M6X10	1 GB5781-86
20	B5052-00006	Washer	垫圈6	1 GB93-87
21	A01D7-41301	Pin	销轴	1
22	A01D7-42041	Shim	垫圈11	2
23	A01D7-42051	Bushing	衬套	3
24	A01D7-40801	Lever, tilt	倾斜操纵杆	1
25	A01D7-40901	Lever, third	第三片阀杆	1

CPQD40, 45, 50-R  
CPCD40, 45, 50-W  
GPCD40, 45, 50-L2  
CPCD40, 45, 50-WF  
CPC40-C

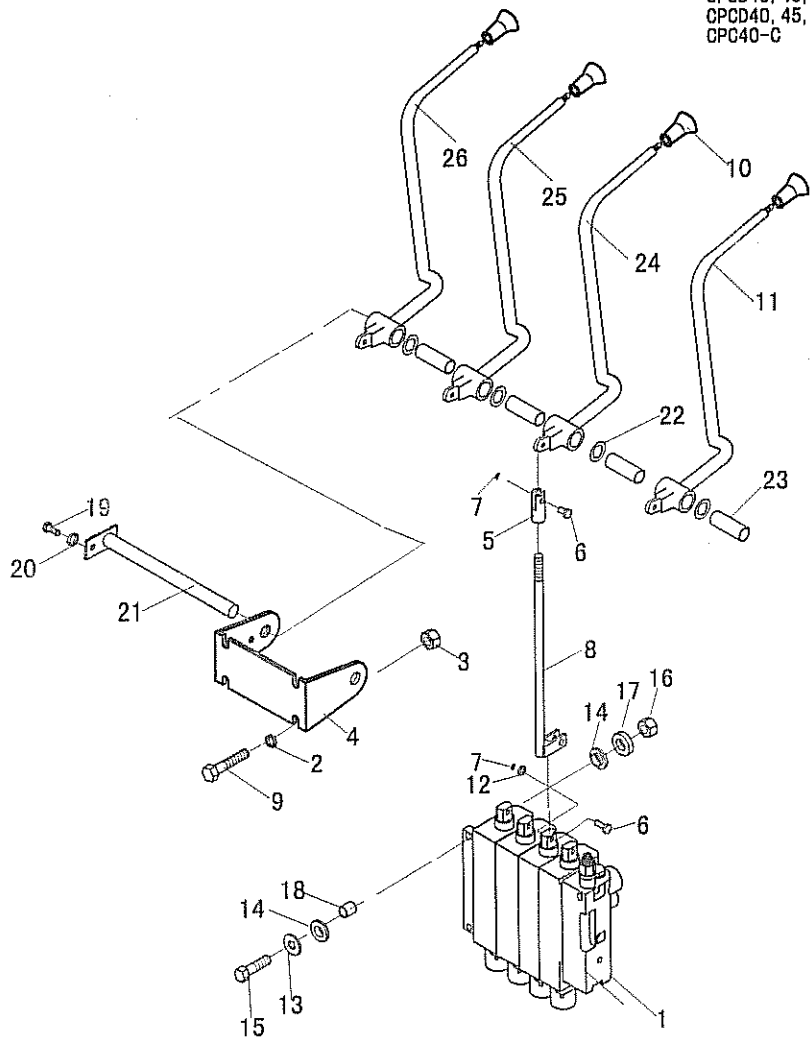


G4

## 操纵杆总成 (四片) / VALVE CONTROL LINKAGE (FOUR-THROW)

图66/FIG66

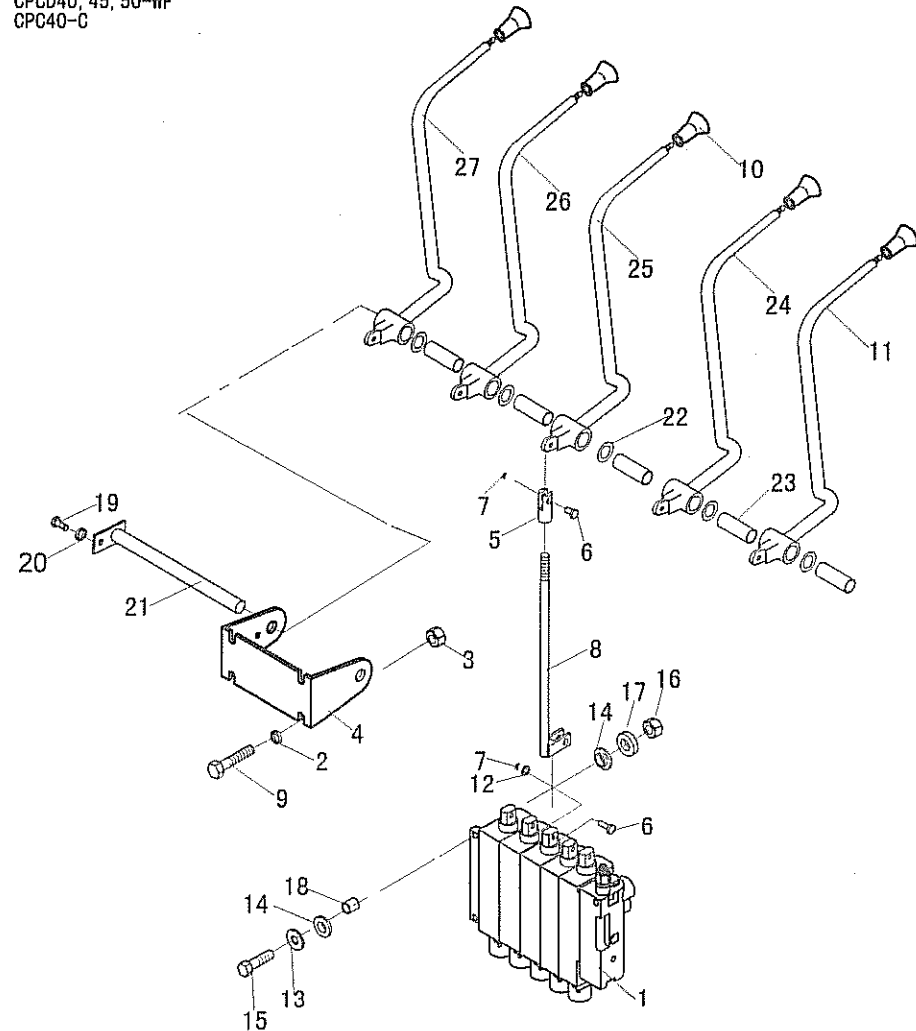
CPQD40, 45, 50-R  
 GPCD40, 45, 50-W  
 CPCD40, 45, 50-L2  
 CPCD40, 45, 50-WF  
 CPC40-C



序号 Item No	图号 Part No	零部件名称 Description	件数 Q'ty	备注 Remark
01	A01D7-40501	Control valve	多路阀	1
02	B5052-00010	Washer	垫圈10	4 GB93-87
03	B4116-00010	Nut	螺母M10	4 GB6170-86
04	A01D7-42081	Bracket	操纵杆托架	1
05	A01D7-42001	Connector	接头	4
06	B3222-08024	Pin	销轴B6X24	8 GB882-86
07	B3010-3P216	Pin	销3.2X16	8 GB91-86
08	A01D7-40201	Joint	拉杆	4
09	B0110-10025	Bolt	螺栓M10X25	4 GB5781-86
10	HRA01D7406	Knob	手柄	4
11	A01D7-40701	Lever, lift	升降操纵杆	1
12	B5313-00008	Shim	垫圈8	4 GB97.1-86
13	A01D7-42011	Shim	垫圈1	4
14	A01D7-42021	Rubber	橡胶垫	8
15	B0010-12060	Bolt	螺栓M12X60	4 GB5780-86
16	B4116-00012	Nut	螺母M12	4 GB6170-86
17	B0110-00012	Washer	垫圈12	4 GB93-87
18	A01D7-42031	Bushing	套筒	4
19	B0110-06010	Bolt	螺栓M6X10	1 GB5781-86
20	B5052-00006	Washer	垫圈6	1 GB93-87
21	A01D7-41401	Pin	销轴	1
22	A01D7-42041	Shin	垫圈11	3
23	A01D7-42051	Bushing	衬套	4
24	A01D7-40801	Lever, tilt	倾斜操纵杆	1
25	A01D7-40901	Lever, third	第三片阀杆	1
26	A01D7-41001	Lever, four	第四片阀杆	1

G

序号 Item No	图号 Part No	零部件名称 Description	件数 Qty	备注 Remark
01	A01D7-40601	Control valve	多路阀	1
02	B5052-00010	Washer	垫圈10	4 GB93-87
03	B4116-00010	Nut	螺母M10	4 GB6170-86
04	A01D7-42091	Bracket	操纵杆托架	1
05	A01D7-42001	Connector	接头	5
06	B3222-08024	Pin	销轴B6X24	10 GB882-86
07	B3010-3P216	Pin	销3.2X16	10 GB91-86
08	A01D7-40201	Joint	拉杆	5
09	B0110-10025	Bolt	螺栓M10X25	4 GB5781-86
10	HRA01D7406	Knob	手柄	5
11	A01D7-40701	Lever, lift	升降操纵杆	1
12	B5313-00008	Shim	垫圈8	4 GB97.1-86
13	A01D7-42011	Shim	垫圈1	4
14	A01D7-42021	Rubber	橡胶垫	8
15	B0010-12060	Bolt	螺栓M12X60	4 GB5780-86
16	B4116-00012	Nut	螺母M12	4 GB6170-86
17	B0110-00012	Washer	垫圈12	4 GB93-87
18	A01D7-42031	Bushing	套筒	4
19	B0110-06010	Bolt	螺栓M6X10	1 GB5781-86
20	B5052-00006	Washer	垫圈6	1 GB93-87
21	A01D7-41501	Pin	销轴	1
22	A01D7-42041	Shim	垫圈11	4
23	A01D7-42051	Bushing	衬套	5
24	A01D7-40801	Lever, tilt	倾斜操纵杆	1
25	A01D7-40901	Lever, third	第三片阀杆	1
26	A01D7-41001	Lever, four	第四片阀杆	1
27	A01D7-41101	Lever, five	第五片阀杆	1

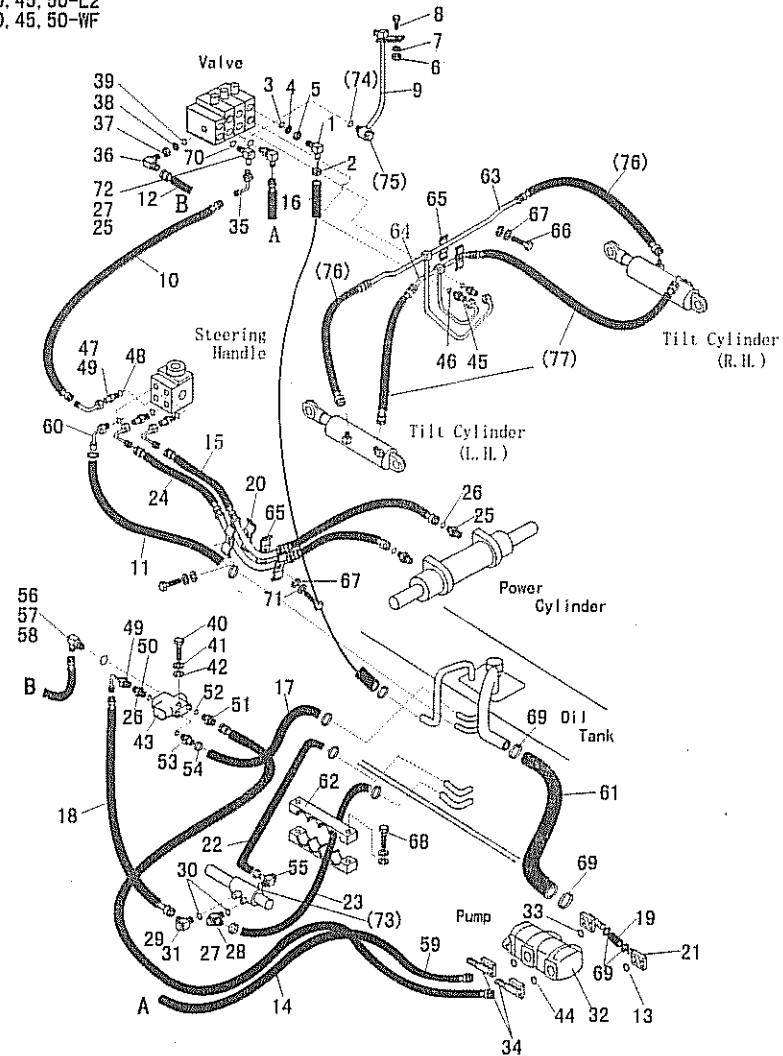






序号 Item No	图号 Part No	零部件名称 Description	件数 Qty	备注 Remark
01	A01D7-62381	Connector 直角接头	1	
02	Z4590-00044	Clip 胶管夹39~48	2	JB/ZQ3776-86
03	Z6004-03504	O-ring O形圈35X3.5	2	GB1235-76
04	A01D7-62391	Shim 垫片	1	
05	A01D7-62401	Nut 螺母	1	
06	B0110-10030	Bolt 螺栓M10X25	17	GB5781-86
07	B5310-00010	Shim 垫圈10	17	GB97.1-85
08	B5050-00010	Washer 垫圈10	17	GB93-87
09	A01D7-60201	Hose 起升缸管总成 (含序74、75)	1	Include 74、75
10	HRA01D7605 A01D7-60301	Hose H.P. 高压胶管10 II-400A-A	1	
11	A01D7-62411	Hose L.P. 回油管	1	HG4-405-75
12	HRA01D7601 A01D7-62421	Hose H.P. 高压胶管16 II-500	1	
13	Z6004-04503	O-ring O形圈45X3.1	2	GB3452.1-86
14	HRA01D7601 A01D7-62441	Hose H.P. 高压胶管16 II-2200	1	
15	A01D7-60401	Hose 转向缸管总成	1	
16	A01D7-62451	Hose L.P. 多路阀回油管	1	HG4-405-75
17	A01D7-62461	Hose L.P. 回油管	1	HG4-405-75
18	HRA01D7606	Hose H.P. 高压胶管10 II-1750	1	
19		Hose L.P. 夹布输油胶管 φ38/φ53-100	1	HG4-763-74
20	A01D7-61471	Clip 管夹	2	
21	A01D7-61501	Flange 后油泵进油口连接法兰	1	
22	A01D7-62481	Hose L.P. 回油管	1	HG4-405-75
23	A01D7-62491	Hose L.P. 回油管	1	HG4-405-75
24	A01D7-60501	Hose 转向缸管总成(左)	1	
25	A01D7-62501	Connector 直通管接头	2	
26	Z6004-01802	O-ring O形圈18X2.4	4	GB1235-76
27	A01D7-62511	Screw 螺钉	2	
28	A01D7-62521	Elbow 接头体	2	
29	A01D7-62531	Elbow 接头体	1	
30	Z6004-02123	O-ring O形圈21.2X2.65	6	GB3452.1-86

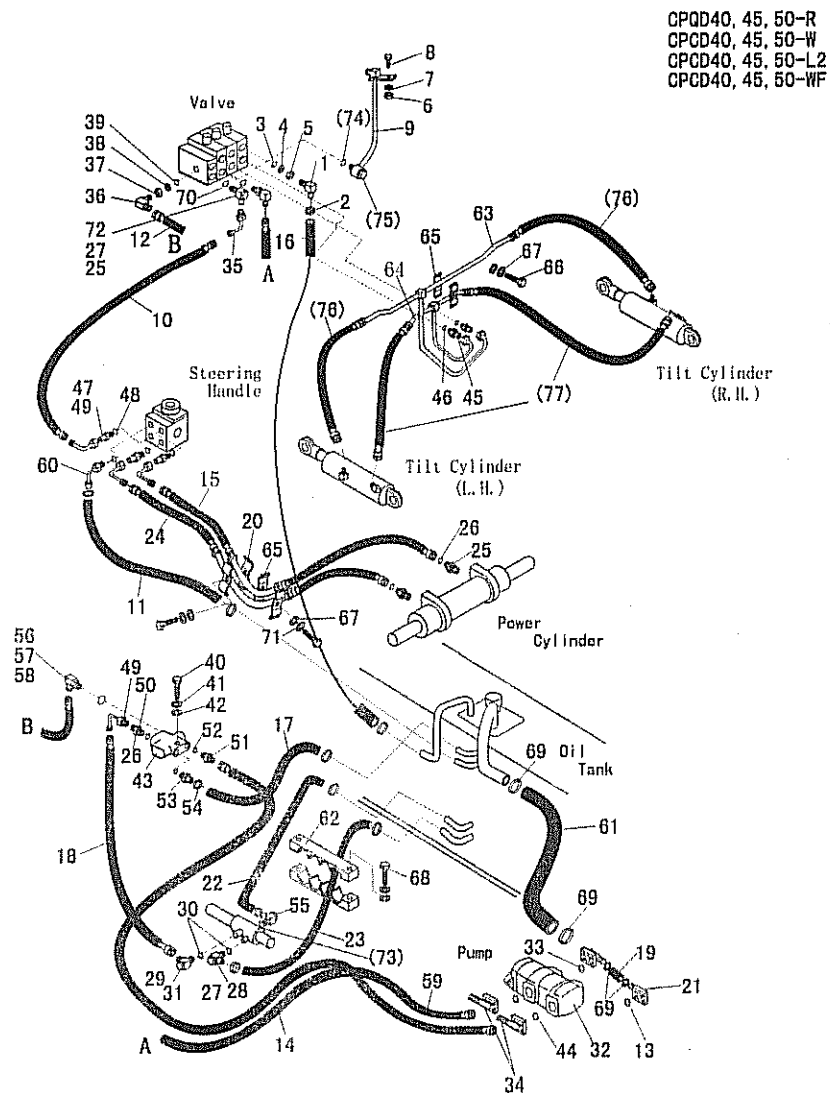
CPQD40, 45, 50-R  
 GPCD40, 45, 50-W  
 CPCD40, 45, 50-L.2  
 GPCD40, 45, 50-WF



G7

## 液力系统(液力车) / HYDRAULIC SYSTEM (HYDRAULIC FORRLIFT)

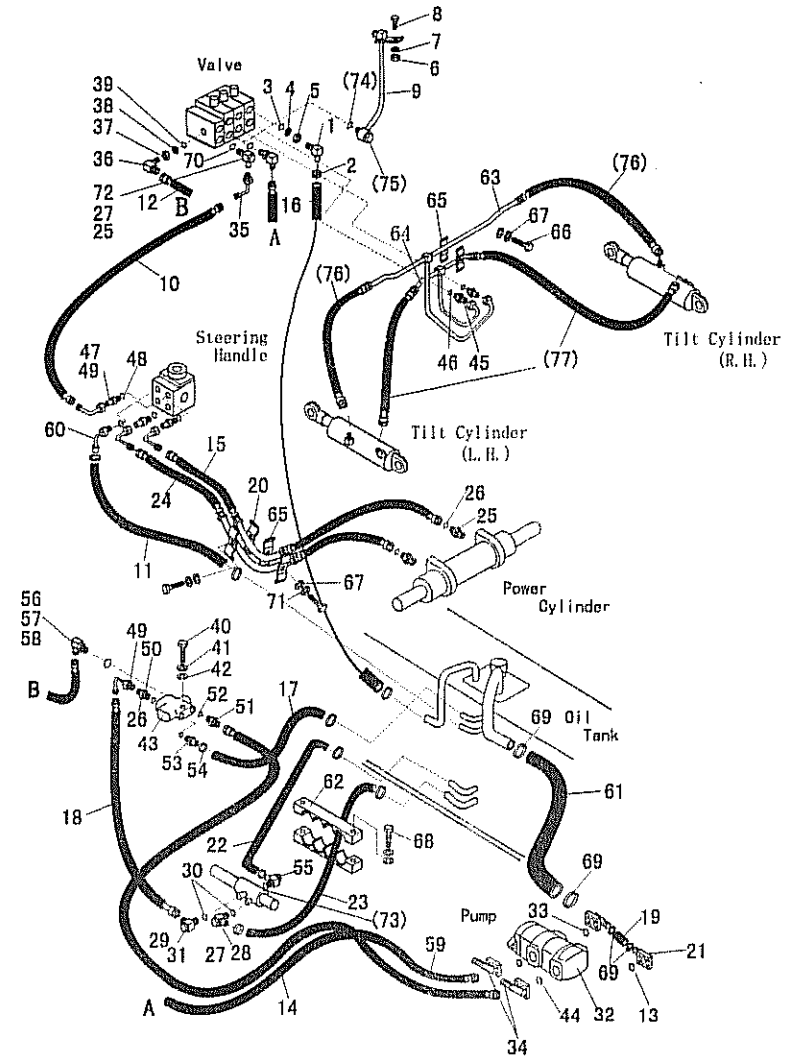
图G9/F1G69



序号 Item No	图号 Part No	零部件名称 Description	件数 Q'ty	备注 Remark
31	A01D7-62541	Screw	螺钉	1
32	A01D7-61901	Pump setting	油泵安装	1 A-600100-05, T6426
-	A03D7-60401	Pump setting	油泵安装	1 LR4105G4H
-	A05D7-60201	Pump setting	油泵安装	1 R4105G25
33	A01D7-61701	Flange	前油泵进油口连接法兰	1
34	A01D7-61801	Flange	油泵出油口连接法兰	2
35	A01D7-60601	Elbow	弯头	1
36	A01D7-62551	Connector	直角接头	2
37	A01D7-62561	Nut	螺母	2
38	A01D7-62571	Shim	垫片	2
39	Z6004-03004	O-ring	O形圈30X3.5	2 GB1235-76
40	B0220-06050	Bolt	螺栓M6X50	2 GB5782-86
41	B5310-00006	Shim	垫圈6	2 GB97.1-85
42	B5050-00006	Washer	垫圈6	2 GB93-87
43	HRA01D7604 21730-40667	Valve	分流阀	1
44	Z6004-03803	O-ring	O形圈38X3.1	2 GB1235-76
45	A01D7-62591	Connector	直角接头	2
46	Z6004-03203	O-ring	O形圈32x3.1	3 GB1235-76
47	A01D7-62601	Connector	直角接头	4
48	Z6700-02027	Shim	组合垫圈20	4 GB982-77
49	A01D7-61301	Elbow	弯头	4
50	A01D7-62611	Connector	直角接头	2
51	A01D7-62621	Connector	直角接头	1
52	Z6004-02202	O-ring	O形圈22x2.4	2 GB 1235-76
53	A01D7-62631	Connector	直角接头	1
54	Z4690-00025	Clip	胶管夹22x26	8 JB/ZQ3776-76
55	A01D7-62641	Connector	直角接头	1
56	A01D7-62661	Nut	螺母	1
57	A01D7-62651	Connector	直角接头	1
58	A01D7-62671	Shim	垫片	1

G

序号 Item No	图号 Part No	零部件名称 Description	件数 Qty	备注 Remark
59	HRA01D7601 A01D7-62711	Hose H. P. 高压胶管16II-2400	1	
60	A01D7-61401	Elbow 弯头	1	
61	A01D7-62681	Hose L. P. 油泵吸油管 $\phi 38/\phi 53-1300$	2	HQ4-763-75
62	A01D7-62691	Clip 管夹	1	
63	A01D7-60701	Hose 倾斜缸管总成(前)(含序76)	1	Include 76
64	A01D7-60801	Hose 倾斜缸管总成(后)(含序77)	1	Include 77
65	A01D7-62701	Clip 管夹	12	
66	B0110-08025	Bolt 螺栓M8X25	10	GB5781-86
67	B5050-00008	Washer 垫圈8	15	GB93-87
68	B0110-08035	Bolt 螺栓M8X35	5	GB5781-86
69	Z4690-00054	Clip 胶管夹54~60	4	JB/ZQ3776-76
70	Z6004-01702	O-ring O形圈17X2.65	2	GB3452.1-82
71	B5310-00008	Shim 垫圈8	1	GB97.1-85
72	A01D7-62691A	Connector 直角接头	1	
73	Z6004-02102	O-ring O形圈21X2.65	2	GB3452.1-82
(74)	Z6004-03154	O-ring O形圈31.5X3.55	2	GB3452.1-82
(75)	A01D7-62011	Screw 螺钉	1	
(76)	HRA01D7607 Z7212-08042	Hose H. P. 高压胶管16II-420G	2	
(77)	HRA01D7607 Z7212-08049	Hose H. P. 高压胶管16II-490G	2	

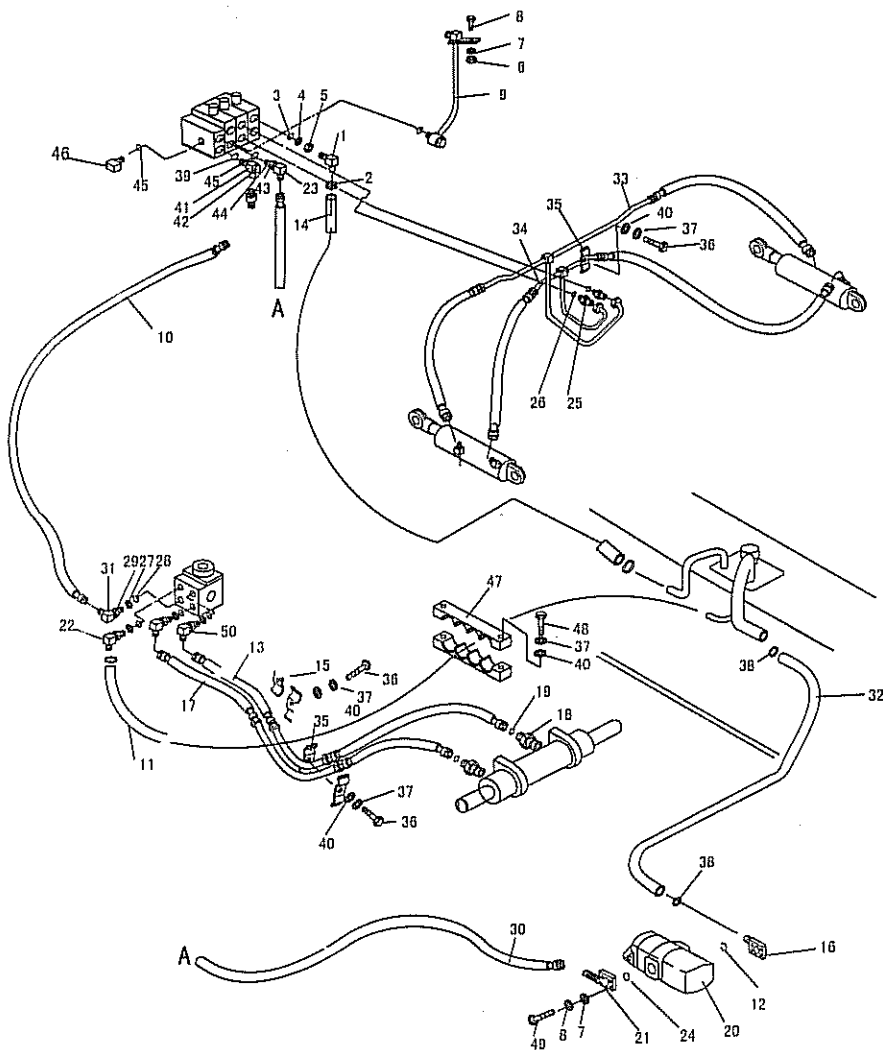


G8

液压系统 (机械车) / HYDRAULIC SYSTEM (MECHANICAL FORKLIFT)

图70/F1G70

CPC40-C

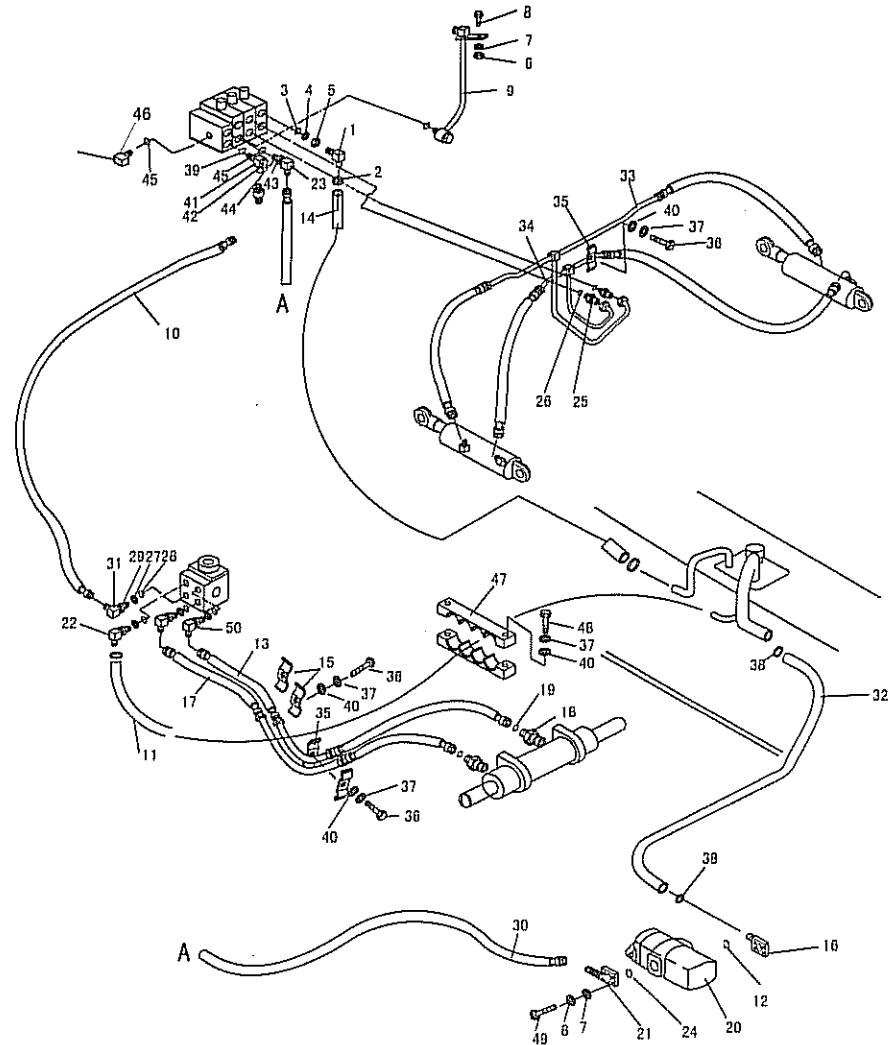


序号 Item No	图号 Part No	零部件名称 Description	件数 Q'ty	备注 Remark
01	A01D7-62381	Connector 直角接头	1	
02	Z4570-00044	Clip 胶管夹39X48	2	JB/ZQ3776-86
03	Z6004-03504	O-ring 0形圈35X3.5	2	GB1235-76
04	A01D7-62391	Shim 垫片	1	
05	A01D7-62401	Nut 螺母	1	
06	B0110-10025	Bolt 螺栓M10X25	17	GB5781-86
07	B5310-00010	Shim 垫圈10	25	GB97.1-85
08	B5050-00010	Washer 垫圈10	25	GB93-87
09	A01D7-60201	Hose 起升钢管总成	1	
10	HRA01D7605 A01D7-60301	Hose H. P. 高压胶管10 II-500A-A	1	
11	A01D7-62411	Hose L. P. 回油管	1	
12	Z6004-05003	O-ring 0形圈50X3.1	1	GB1235-76
13	A01D7-60401	Hose 转向缸钢管总成(右)	1	
14	A01D7-62451	Hose L. P. 多路阀回油管	1	
15	A01D7-62471	Clip 管夹	2	
16	A05R7-60101	Flange 油泵进油口连接法	1	
17	A01D7-60501	Hose L. P. 转向缸钢管总成(左)	1	
18	A01D7-62501	Connector 直通管接头	2	
19	Z6004-01802	O-ring 0形圈18X2.4	4	GB1235-76
20	A03R7-61903	Pump setting 油泵安装	1	
21	A01D7-61801	Flange 油泵出油口连接法兰	1	
22	A20A7-62442	Elbow 接头体	1	
23	A01D7-62551	Connector 直角接头	1	
24	Z6004-03803	O-ring 0形圈38X3.1	1	GB1235-76
25	A04D7-62591	Connector 直通接头	4	
26	Z6004-03202	O-ring 0形圈32X3.1	3	GB1235-76
27	25177-63030G	Shim 垫片	4	
28	Z6004-02202	O-ring 0形圈22X2.4	4	GB1235-76
29	25177-63020G	Nut 螺母	4	
30	HRA01D7601 A01D7-62711	Hose H. P. 高压胶管16 II-2400	1	

G

序号 Item No	图号 Part No	零部件名称 Description	件数 Qty	备注 Remark
31	A01D7-62911	Elbow 接头体	2	
32	A01D7-62681	Hose L.P. 油泵吸油管 $\phi 38/\phi 53-1100$	1	
33	A01D7-60701	Hose 倾斜钢管总成 (前)	1	
34	A01D7-60801	Hose 倾斜钢管总成 (后)	1	
35	A01D7-62701	Clip 管夹	12	
36	B0110-08025	Bolt 螺栓M8X25	10	GB5786-86
37	B5050-00008	Washer 垫圈8	15	GB93-87
38	Z4590-00056	Clip 胶管夹54X60	4	JB/ZQ3776-86
39	Z6004-01703	O-ring O形圈17X2.65	2	GB3452.1-92
40	B5310-00008	Washer 垫圈8	3	GB97.1-86
41	A01D7-62691A	Connector 直角接头	1	
42	A01D7-62901	Screw 螺钉	1	
43	A01D7-62561	Nut 螺母	1	
44	A01D7-62571	Shim 垫片	1	
45	Z6004-03004	O-ring O形圈30x3.5	2	GB1235-76
46	A05R7-62001	Screw 螺钉	1	
47	A01D7-62691	Clip 管夹	1	
48	B0110-08035	Bolt 螺栓M8X35	2	GB5781
49	B0210-10025	Bolt 螺栓M10X25	8	GB5783-86
50	A01D7-62921	Elbow 接头体	1	

CPC40-C

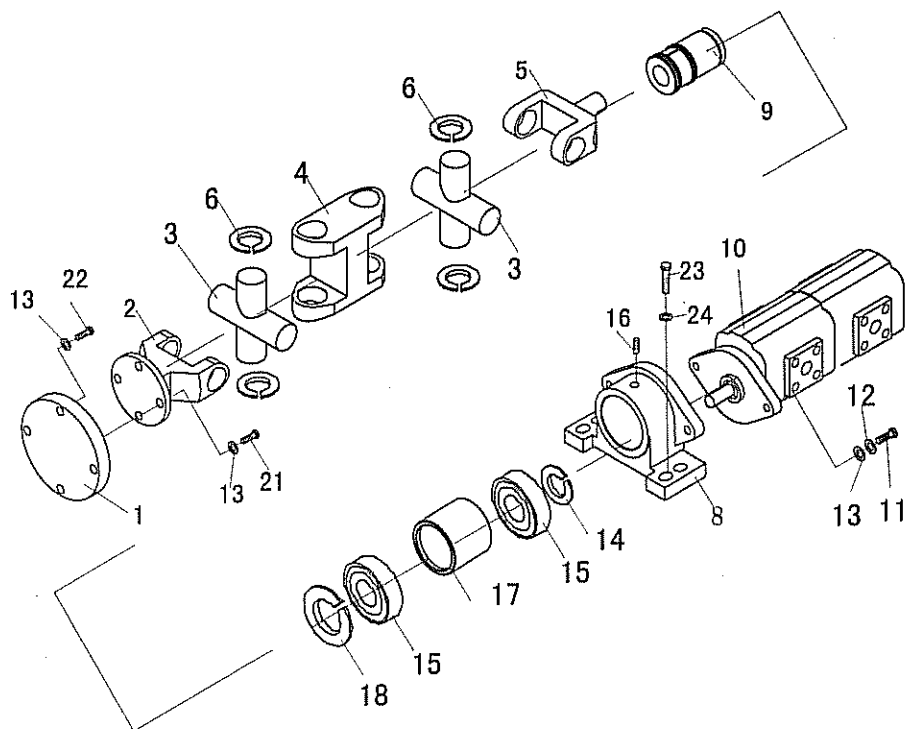


G9

## 油泵安装 (汽油机) / PUMP SETTING (GASOLINE)

图71/F1G71

CPQD40, 45, 50-R

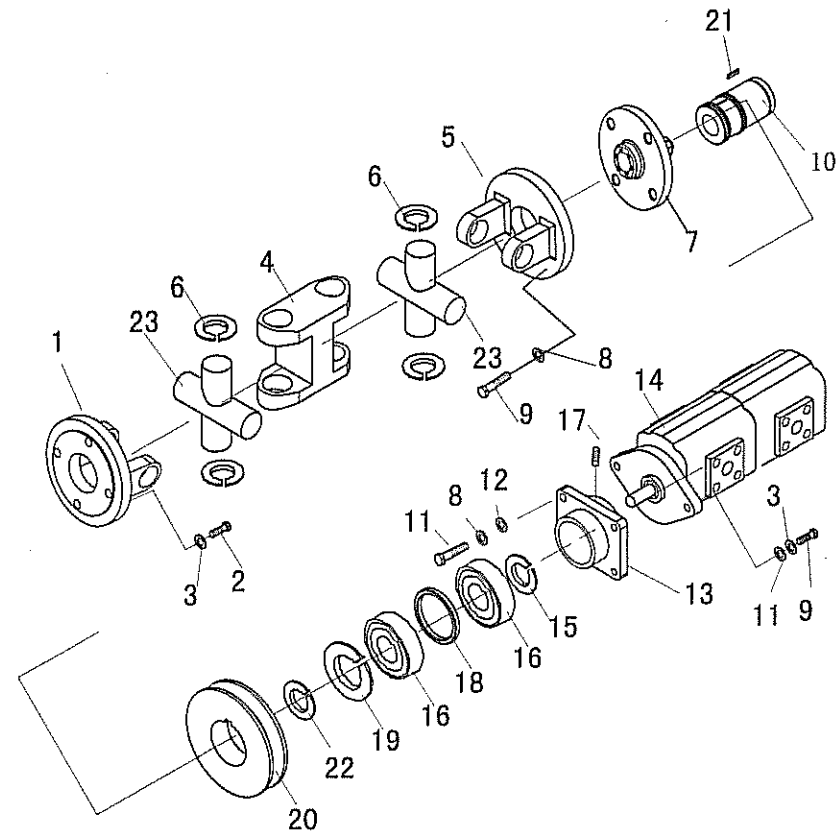


序号 Item No	图号 Part No	零部件名称 Description	件数 Q'ty	备注 Remark
01	A05D7-62721	Plate	1	连接板
02	A01D7-62731	Connector L.H	1	万向节左联板
03	HRA01D7602 (Sh130)	Universal Jion ass'y	2	万向节十字轴30X87
04	A01D7-62741	Conneter	1	万向节中联板
05	A01D7-61911	Connector R.H	1	万向节右连板
06	B6052-00030	Snap ring	8	档圈30 GB893.1-86
08	A01D7-62781	Body	1	泵座体
09	A01D7-62791	Sleeve	1	轴套
10	HRA01D763 (CBOL-F532/F532-AFR)	Pump setting	1	油泵
11	B0220-10030	Bolt	2	螺栓M10X30 GB5782-86
12	B5310-00010	Shim	10	垫圈10 GB93-87
13	B5050-00010	Washer	10	垫圈10 GB97.1-86
14	B6150-00040	Snap ring	1	档圈40 GB894.1-86
15	B0099-60108	Bushing	2	轴承60108 GB278-86
16	Q701890	Fitting	1	弯颈式滑脂嘴 ZBT33001.2-88
17	A01D7-62801	Plate	1	档圈
18	B6052-00068	Snap ring	1	档圈68 GB893.1-86
21	B0220-10020	B0220-10020	4	螺栓M10x20 GB5782-86
22	B0220-10030	B0220-10030	4	螺栓M10X30 GB5782-86
23	B0220-12050	B0220-12050	2	螺栓M12X50 GB5782-86
24	B5050-00012	B5050-00012	2	垫圈12 B93-87

G

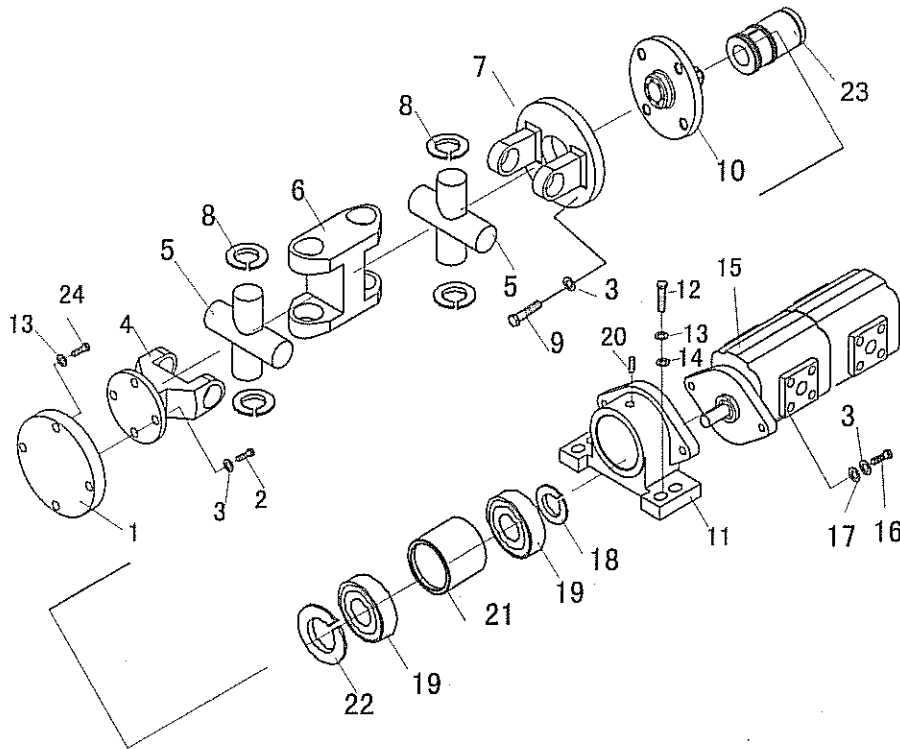
序号 Item No	图号 Part No	零部件名称 Description	件数 Q'ty	备注 Remark
01	A33R7-62013	Rack 叉架1	1	
02	B0220-14035	Bolt 螺栓M14X1.5X35	4	GB5783-86
03	B5050-00014	Washer 垫圈14	4	GB93-87
04	A01D7-62742	Conneter M 万向节中联板	1	
05	A33D7-62023	Rack 叉架2	1	
06	B6052-00030	Check ring 挡圈30	8	GB893.1-86
07	A33D7-61912	Wall 盘	1	
08	B5050-00010	Washer 垫圈10	12	GB93-87
09	B0221-10030	Bolt 螺栓M10X30	8	GB21-76
10	A01D7-62791	Shaft sleeve 轴套	1	
11	B0221-10040	Bolt 螺栓M10X40	4	GB21-76
12	B4123-00010	Washer 垫圈10	8	GB97.1-86
13	A33D7-62042	Body 泵座体	1	
14	HRA01D763 (CBQL-F532/F532-AFHL)	Pump unit 油泵	1	
15	B6150-00040	Check ring 挡圈40	1	GB894.1-86
16	Z0099-60108	Bushing 轴承60108	2	GB278-82
17	Q701B90	Grease cup 弯径式滑脂嘴	1	ZBT33001.2-88
18	A01D7-62801	Check ring 挡圈	1	
19	B6052-00068	Check ring 挡圈68	1	GB893.1-86
20	A01D7-62771	Pulley 皮带轮	1	
21	Z4011-08020	Key 键A8X7X20	1	GB1096-79
22	B6150-00050	Check ring 挡圈50	2	GB894.1-86
23	HRA01D7602 (Sh130)	Universal joint ass'y 万向节十字轴30X87	2	

GPCD40, 45, 50-W



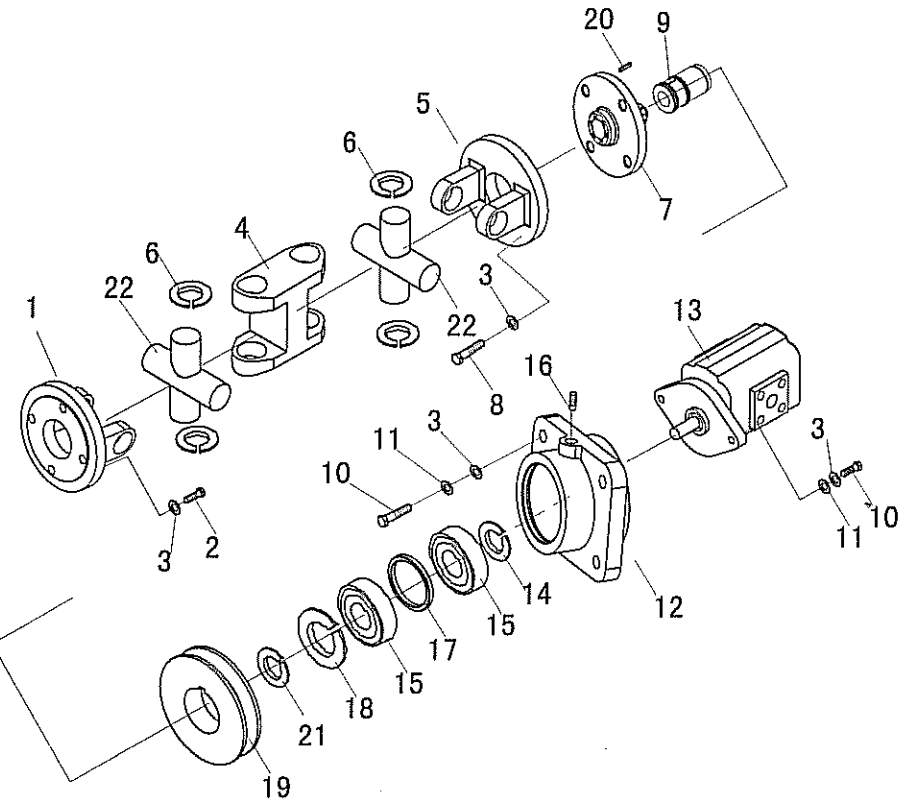


GPCD40, 45, 50-WF  
GPCD40, 45, 50-L



序号 Item No	图号 Part No	零部件名称 Description	件数 Q'ty	备注 Remark
01	A05D7-62011	Plate	1	连接板
02	B0320-10025	Bolt	4	螺栓M10X25
03	B5050-00010	Washer	10	垫圈10
04	A01D7-62731	Connector	1	万向节左联板
05	HRA01D7602 (SH130)	Universal joint ass'y	2	万向节十字轴30X87
06	A01D7-62742	Connector	1	万向节中联板
07	A33D7-62023	Plate	1	叉架11
08	B6052-00030	Snap ring	8	档圈30
09	B0320-10030	Bolt	4	螺栓M10X30
10	A33D7-61912	Wall	1	盘
11	A03D7-62031	Body	1	泵座
12	B0320-12050	Bolt	4	螺栓M12X50
13	B5050-00012	Washer	8	垫圈12
14	B50580-00012	Shim	4	垫圈12
15	HRA01D763 (GB0L-F532/F532-AFIL)	Pump unit	1	油泵
16	B0320-10030	Bolt	2	螺栓M10X30
17	B5310-00010	Washer	2	垫圈10
18	B6150-00040	Snap ring	1	档圈40
19	Z0099-60108	Bushong	2	轴承60108
20	Z2513-01010	Fitting	1	油杯90。M10x1
21	A03D7-62041	Plate	1	档圈
22	B6052-00068	Snap, ring	1	档圈68
23	A03D7-62051	Sleeve	1	轴套
24	B0320-12025	bolt	4	螺栓M12X25

序号 Item No	图号 Part No	零部件名称 Description	件数 Q'ty	备注 Remark
01	A03R7-62012	Rack 叉架1	1	
02	B0330-10035	Bolt 螺栓M10X35	4	GB5783-86
03	B5050-00010	Washer 垫圈10	4	GB93-87
04	A01D7-62742	Conneter M 万向节中联板	1	
05	A33D7-62023	Rack 叉架2	1	
06	B6052-00030	Check ring 挡圈30	8	GB893.1-86
07	A33D7-61912	Wall 盘	1	
08	B0221-10030	Bolt 螺栓M10X30	8	GB21-76
09	A01D7-62791	Shaft sleeve 轴套	1	
10	B0221-10040	Bolt 螺栓M10X40	4	GB21-76
11	B4123-00010	Washer 垫圈10	8	GB97.1-86
12	A33D7-62042	Body 泵座体	1	
13	A01R7-60401 (GBQ4-F550-AFHL)	Pump unit 油泵	1	
14	B6150-00040	Check ring 挡圈40	1	GB894.1-86
15	Z0099-60108	Bushing 轴承60108	2	GB278-82
16	Q701B90	Grease cup 弯径式滑脂嘴	1	ZBT33001.2-88
17	A01D7-62801	Check ring 挡圈	1	
18	B6052-00068	Check ring 挡圈68	1	GB893.1-86
19	A01D7-62771	Pulley 皮带轮	1	
20	Z4011-08020	Key 键A8X7X20	1	GB1096-79
21	B6150-00050	Check ring 挡圈50	2	GB894.1-86
22	HRA01D7602 (Sh130)	Universal joint ass'y 万向节十字轴30X87	2	

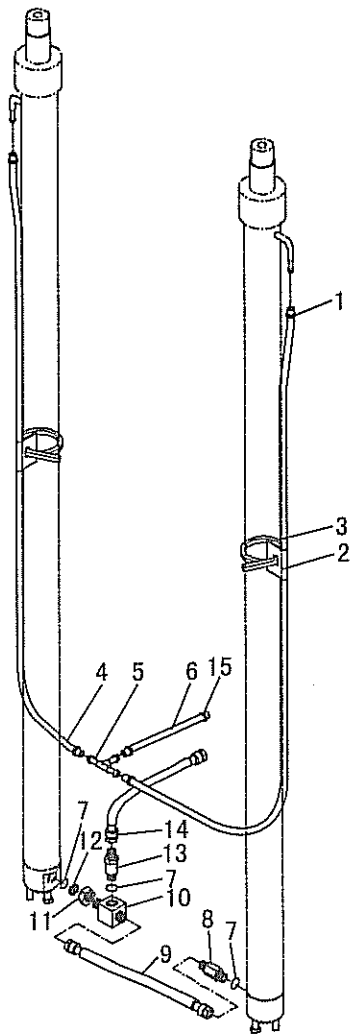


CPC40-C

G13

## 门架管路系统/HYDRAULIC SYSTEM MAST

图75/FIG75



CPQD40, 45, 50-R  
CPCD40, 45, 50-W  
CPCD40, 45, 50-L2  
CPCD40, 45, 50-WF  
CPC40-C

序号 Item No	图号 Part No	零部件名称 Description	件数 Qty	备注 Remark
01	Z5690-00023	Clip 双钢丝喉箍 $\phi 23$	4	JB/ZQ3776-86
02	D01D8-62001	Clip 管座	2	
03	90D-91-1	Band 尼龙扎带L=300	2	
04	HRD01D8601	Tube Vinyl 棉线编制胶管	2	
05	D01D8-62011	Three way 三通接头体	1	
06	D01D8-62021	Tube vinyl 棉线编制胶管	1	
07	Z6002-03004	O-ring O形密封圈30X3.5	3	GB1235-76
08	D01D8-62031	Pin 接头体	1	
09	D01D8-62041	Hose H.P. 高压胶管	1	
10	D01D8-62051	Three way 三通接头体	1	
11	D01D8-62061	Nut 螺母	1	
12	D01D8-62071	Shim 垫片	1	
13	D01D8-60201	Flow regulator 限速阀	1	
14	D01D8-62081	Hose H.P. 高压胶管	1	
15	Z5690-00033	Clip 双钢丝喉箍 $\phi 33$	3	JB/ZQ3776-86

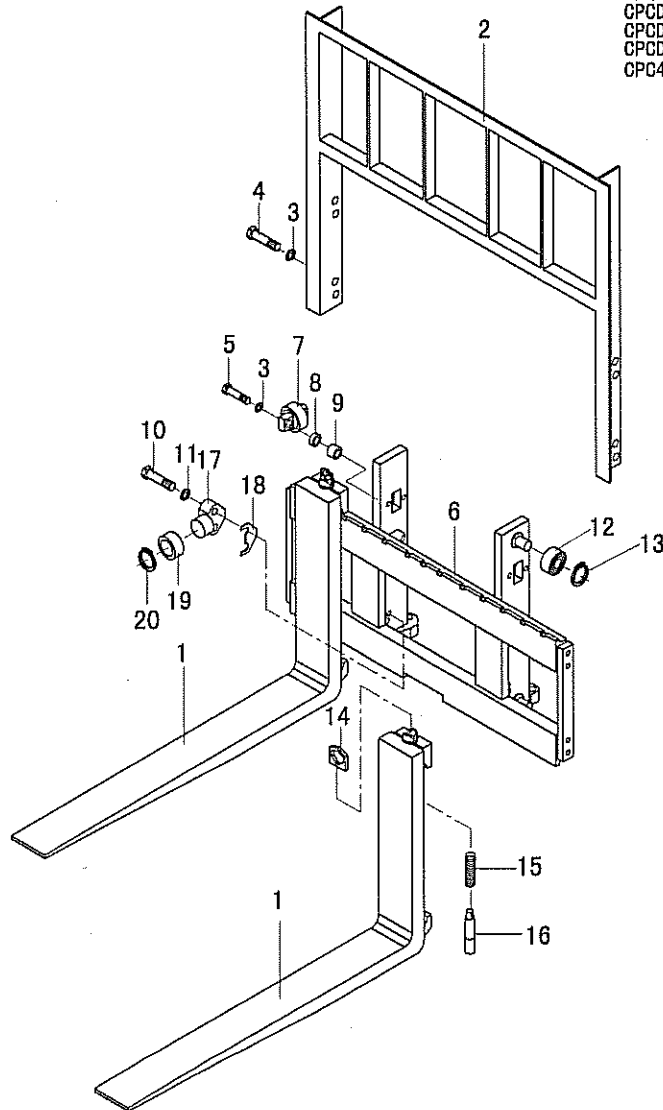
G



H1

## 货叉与货叉架/FORK &amp; LIFT BRACKET

图76/F1G76



CPQD40, 45, 50-R  
 CPCD40, 45, 50-W  
 CPCD40, 45, 50-L2  
 CPCD40, 45, 50-WF  
 CPC40-C

序号 Item No	图号 Part No	零部件名称 Description	件数 Q'ty	备注 Remark
01	HRD01D8102	Fork	货叉 2	
02	D01D8-20201	Backrest	挡货架 1	
03	B5050-00016	Washer	垫圈16 4	GB93-87
04	B0520-16035	Bolt	螺栓M16X1.5X35 8	GB5786-85
05	B0420-16050	Bolt	螺栓M16X1.5X50 4	GB5785-86
06	D01D8-20001	Lift Bracket	货叉架 1	
07	D01D8-00501	Retaining roller	侧滚轮组 2	
08	HRD01D8003	Shim	调整垫片 2	
09	D01D8-02141	Plate	垫块 4	
10	B0420-12060	Bolt	螺栓M12X1.25X60 4	GB5785-86
11	B5050-00016	Washer	垫圈16 4	GB93-87
12	D01D8-00301	End roller	主滚轮 4	
13	B6152-00050	Snap ring	挡圈50 2	GB894.1-86
14	D20B8-12031	Hand	把手 2	
15	D01D8-12011	Spring	弹簧 2	
16	D01D8-12021	Pin	插销 2	
17	D01D8-02051	Shaft	侧滚轮轴1 4	
18	HRD01D8002	Shim	调整垫片 2	
19	180707K	Bushing	轴承180707K 2	GB278-82
20	B6152-00035	Snap ring	挡圈35 4	GB93-87

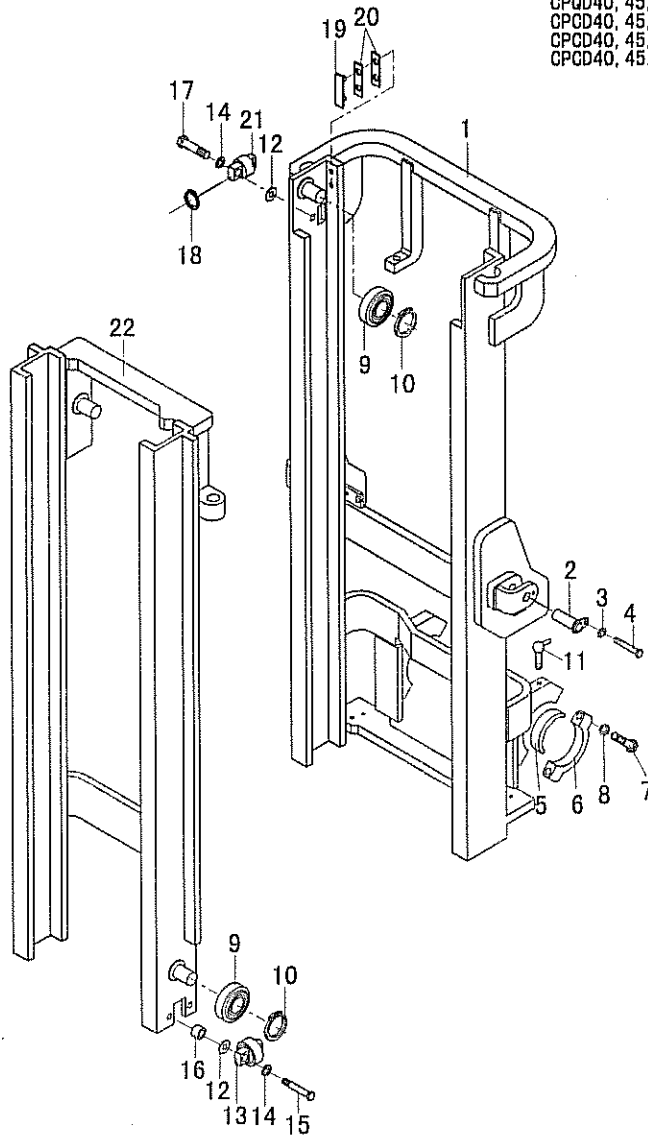
H



H2

## 门架 (液力车) / MAST (HYDRAULIC FORKLIFT)

图 77/F/G77



序号 Item No	图号 Part No	零部件名称 Description	件数 Qty	备注 Remark
01	HRD02D8301	Mast, outer	1	外门架总成
02	D01D8-00201	Pin	2	倾斜油缸销轴1
03	B5050-00010	Washer	6	垫圈10
04	B0520-10025	Bolt	6	螺栓M10X1.25X25
05	D01D8-02031	Bushing	2	轴衬
06	D01D8-02041	Cap	2	支座盖
07	B0420-20090	Bolt	4	螺栓M20X1.5X90
08	B5050-00020	Washer	4	垫圈20
09	D01D8-00301	Roller	4	主滚轮
10	B6152-00050	Snap ring	4	挡圈50
11	Z2500-01001	Fitting	2	油杯M10X1
12	HRD01D8003	Shim	8	调整垫片
13	D01D8-00501	Side roller	2	侧滚轮组
14	B5050-00012	Washer	8	垫圈12
15	B0420-12015	Bolt	4	螺栓M12X1.25X50
16	D01D8-2141	Plate	4	垫块
17	B0420-1040	Bolt	4	螺栓M12X1.25X40
18	B6152-00030	Snap ring	4	轴用挡圈30
19	D01D8-02171	Slipper	2	限位滑板
20	HRD01D8004	Shim	2	调整垫片
21	D01D8-02151	Shaft	2	侧滚轮
22	HRD01D8304	Mast inner	1	内门架总成



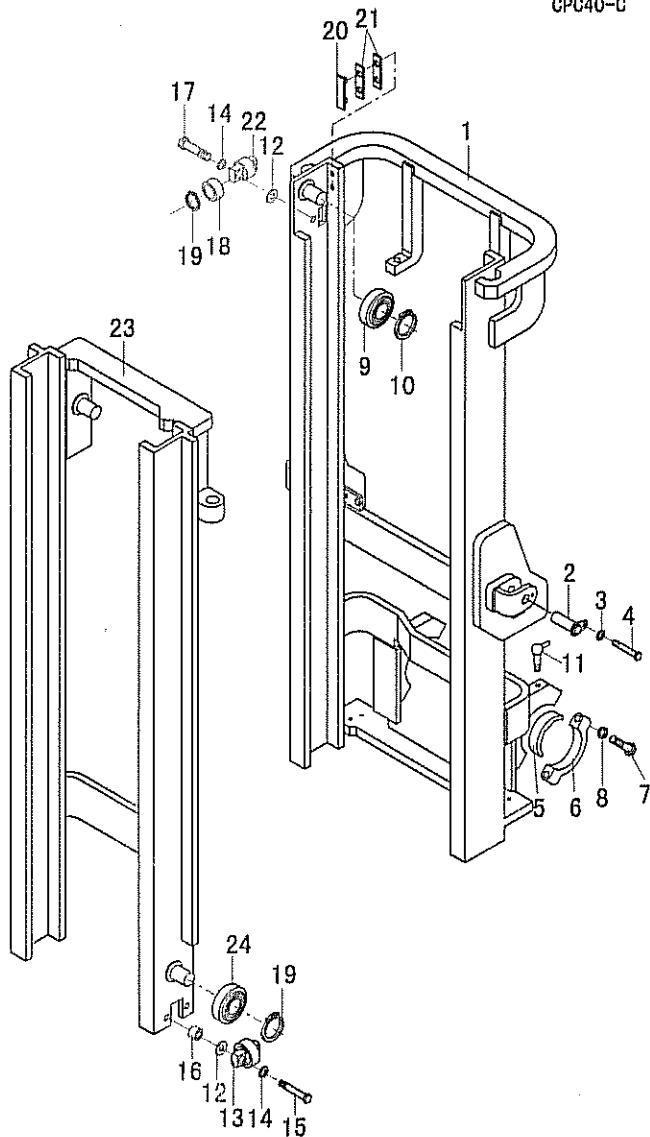


H3

门架(机械车)/MAST(MECHANICAL FORKLIFT)

图7B/F1G78

CPC40-C



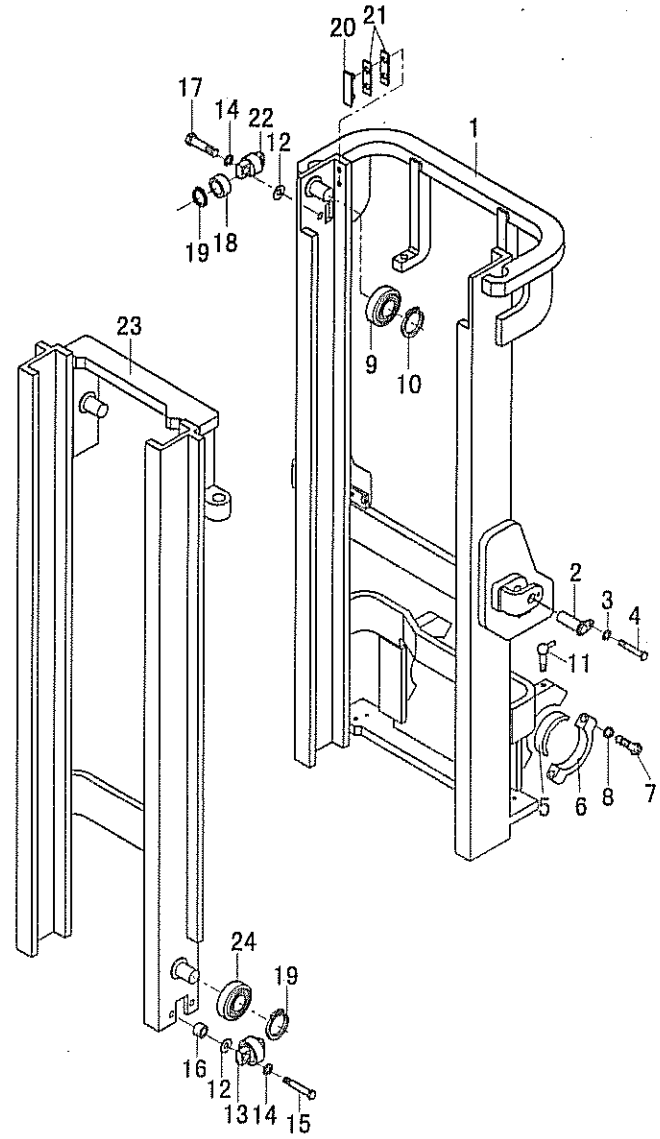
序号 Item No	图号 Part No	零部件名称 Description	件数 Q'ty	备注 Remark
01	HRD32E8301A	Mast, outer	1	外门架总成
02	D01D8-00201	Pin	2	倾斜油缸销轴I
03	B5050-00010	Washer	4	垫圈10 GB93-87
04	B0520-10025	Bolt	4	螺栓M10X1.25X25 GB5786-86
05	D01D8-02031	Bushing	2	轴衬
06	D01D8-02041	Cap	2	支座盖
07	B0420-20090	Bolt	4	螺栓M20X1.5X90 GB5785-86
08	B5050-00020	Washer	4	垫圈20 GB 93-87
09	23658-33001	Roller	4	滚轮2
10	B6152-00040	Snap ring	4	挡圈40 GB894.1-86
11	Q700B01	Fitting	4	直通式滑脂嘴 ZBT33001.1-88
12	22548-34051	Shim	8	调整垫片
13	23458-32051	Side roller	2	侧滚轮组II
14	B5050-00012	Washer	18	垫圈12 GB93-87
15	B0420-12040	Bolt	4	螺栓M12X1.25X40 GB5785-86
16	23818-30071	Plate	4	垫块
17	B0532-12040	Bolt	4	螺栓M12X1.25X40 GB5786-86
18	D20B8-20501	Roller	2	侧滚轮
19	B6152-00025	Snap ring	4	弹性挡圈25 GB894.1-86
20	20028-32001*G	Slipper	2	限位滑块
21	20029-43231*1	Shim	12	调整垫片
22	22548-34021	Shaft	2	轴
23	HRD32E8305A	Mast inner	1	内门架总成
24	980811NT	Roller	2	滚轮

H

门架选用件表 (Mast optional parts)

起升高度 Lift height	内门架总成 Mast, inner	外门架总成 Mast, outer	备注 Remark
2600	D32E8-30032	D32E8-30012	
3000	D32E8-30042	D32E8-30022	

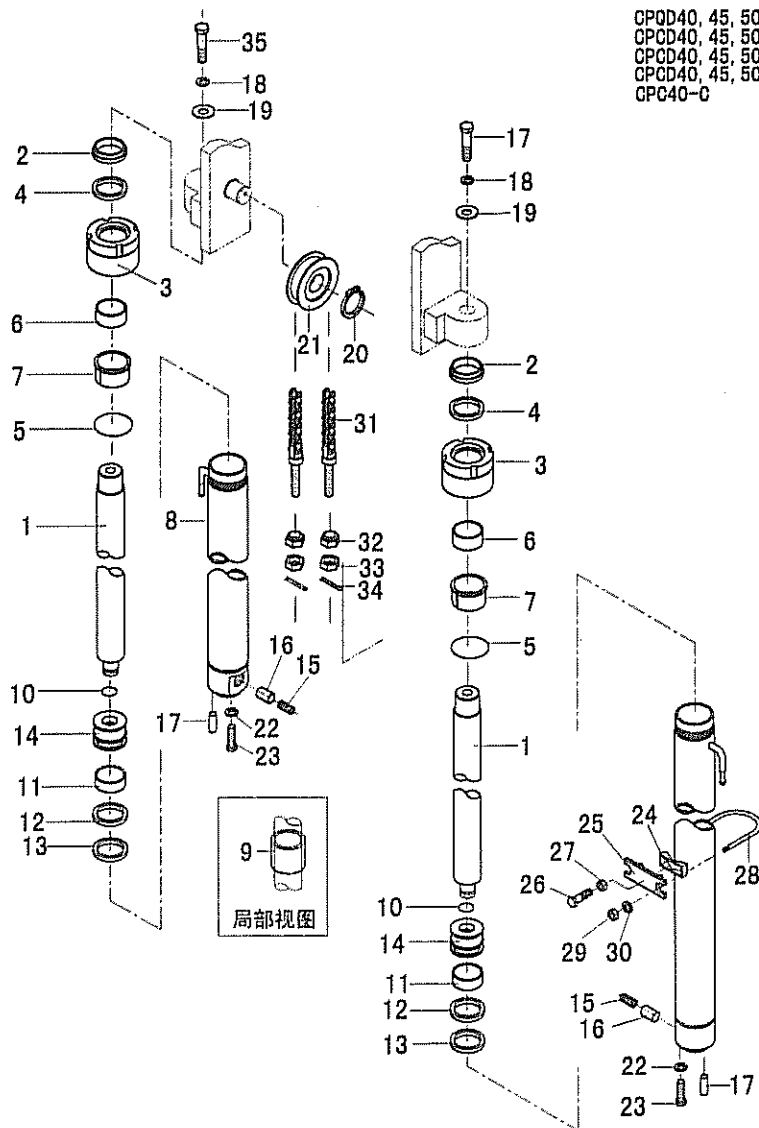
CPC40-C



H4

## 起升油缸/LIFT CYLINDER

图79/FIG79



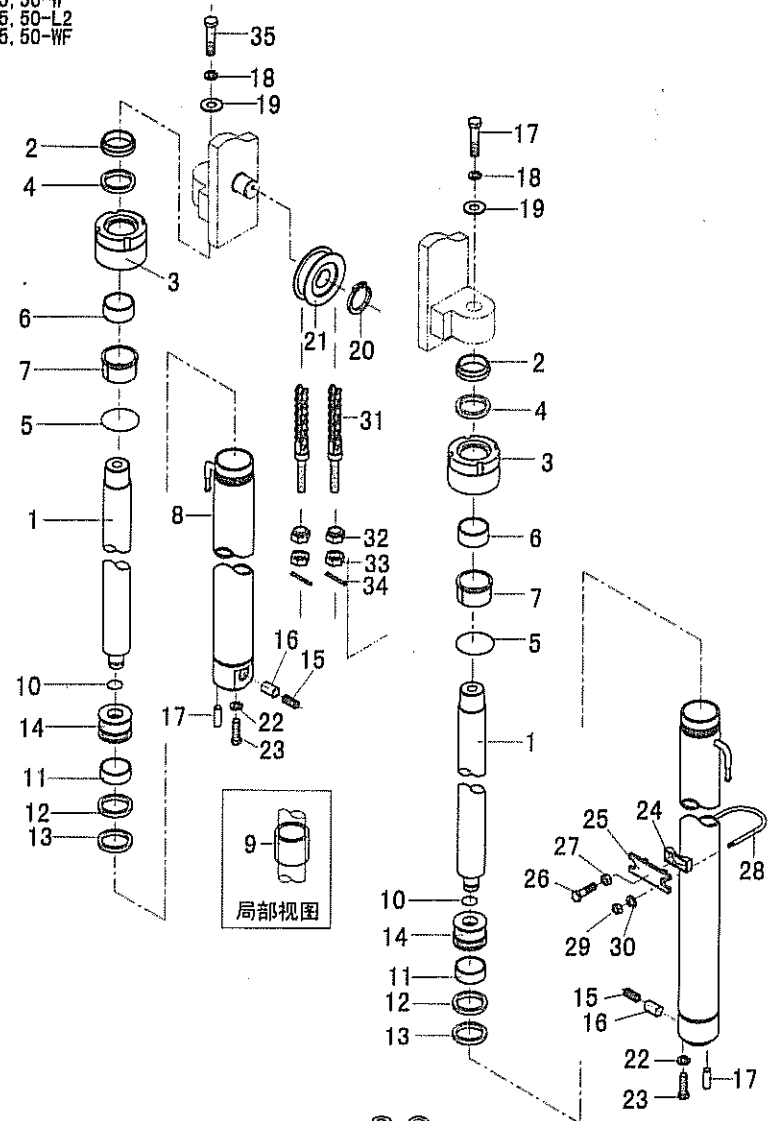
CPQD40, 45, 50-R  
 CPCD40, 45, 50-W  
 CPD40, 45, 50-L2  
 CPCD40, 45, 50-WF  
 CPG40-C

序号 Item No	图号 Part No	零部件名称 Description	件数 Qty	备注 Remark
01	HRD01D8402	Rod	活塞杆	2
02	D01D8-40201	Seal, dust	防尘圈50	2 NOK AR2831H5
03	D01D8-42001	Cap	缸盖	2
04	D01D8-42011	Packing	密封圈50	2 NOK FU0620F0
05	Z6051-07753	O- ring	O形圈77.5X3.55	2 GB3452.1-86
06	D01D8-42351	Bushing	铜套	2
07	D01D8-42021	Bushing	衬套	2
08	HRD01D8403	Cylinder (STD)H=KM300	缸体	2
09	D01D8-42031	Bushing	调整套	2 >4m only
10	D01D8-42341	Snap ring	钢丝挡圈42	2 GB895.2-86
11	D01D8-42041	Wearing	支承环	2
12	D01D8-42051	Ring, back up	挡片70	2 NOK GN4676V0
13	D01D8-42061	Packing	密封圈70	2 NOK FU0846L0
14	D01D8-42071	Piston	活塞	2
15	D01D8-42081	Spring	弹簧	2
16	D01D8-42091	Piston	滑阀	2
17	B3120-10040	Pin	销A10X40	2 GB119-86
18	B5050-00020	Washer	垫圈20	4 GB93-87
19	D01D8-02001	Shim	调整垫片	2
20	D01D8-40401	Sheave	链轮	2
21	B6152-00055	Snap ring	挡圈55	2 GB894.1-86
22	B5050-00012	Washer	垫圈12	2 GB93-87
23	B0520-12050	Bolt	螺栓M12X1.25X25	2 GB5786-86
24	D01D8-02101	Rubber	橡胶套	2
25	D01D8-02091	Support	油缸支承块	2
26	B0320-12050	Bolt	螺栓M12X50	2 GB5783-86
27	B4123-00012	Nut	螺母M12	2 GB6170-86
28	D01D8-02081	U-Bolt	U-形螺栓	2
29	B4123-00010	Nut	螺母M10	4 GB6170-86
30	B5323-00010	Shim	垫圈10	4 GB97.1-86

H

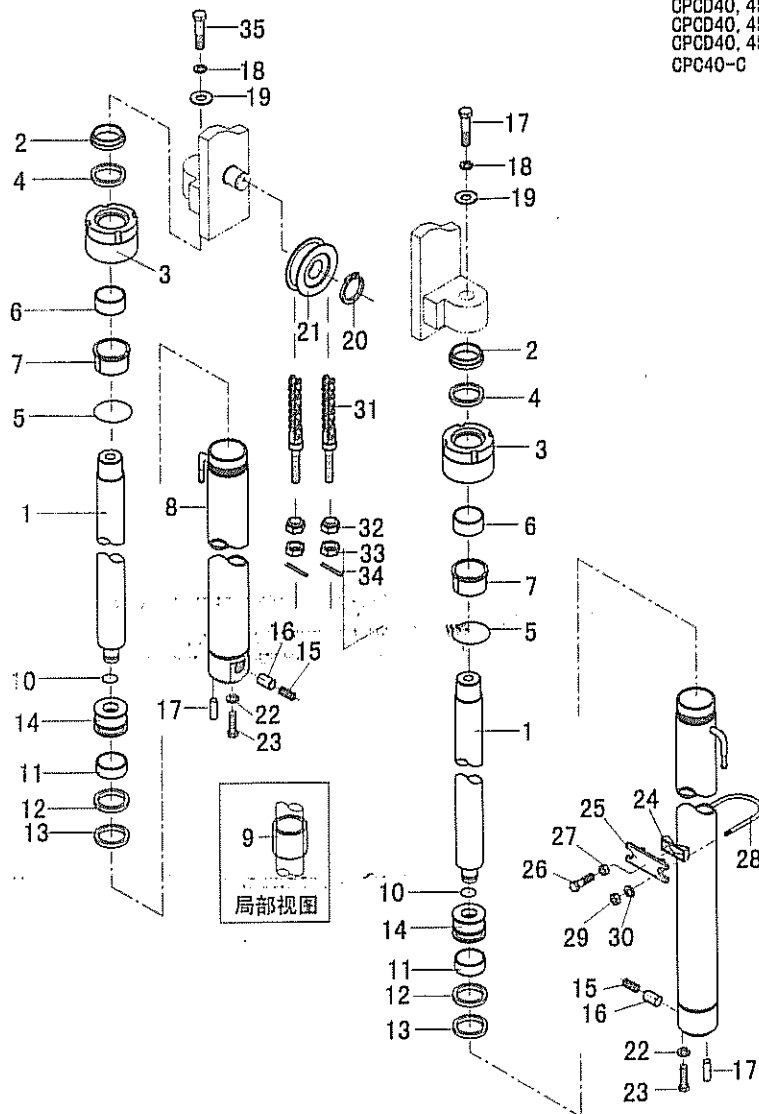
序号 Item No	图号 Part No	零部件名称 Description	件数 Qty	备注 Remark
31	HRD01D8404	Chain 链条总成	2	
32	D01D8-42291	Shim 垫圈	2	
33	B4230-00022	Nut 螺母M22X1.5	4	GB6171-86
34	B3010-20540	Pin 开口销2.5X40	2	GB91-86
35	B0420-20085	Bolt 螺栓M20X1.5X85	4	GB5785-86

CPQD40, 45, 50-R  
CPCD40, 45, 50-W  
CPGD40, 45, 50-L2  
CPGD40, 45, 50-WF  
GPC40-C



CPQD40, 45, 50-R  
 CPCD40, 45, 50-W  
 CPCD40, 45, 50-L2  
 CPCD40, 45, 50-WF  
 CPC40-C

起升油缸选用件表 (Lift cylinder optional parts)

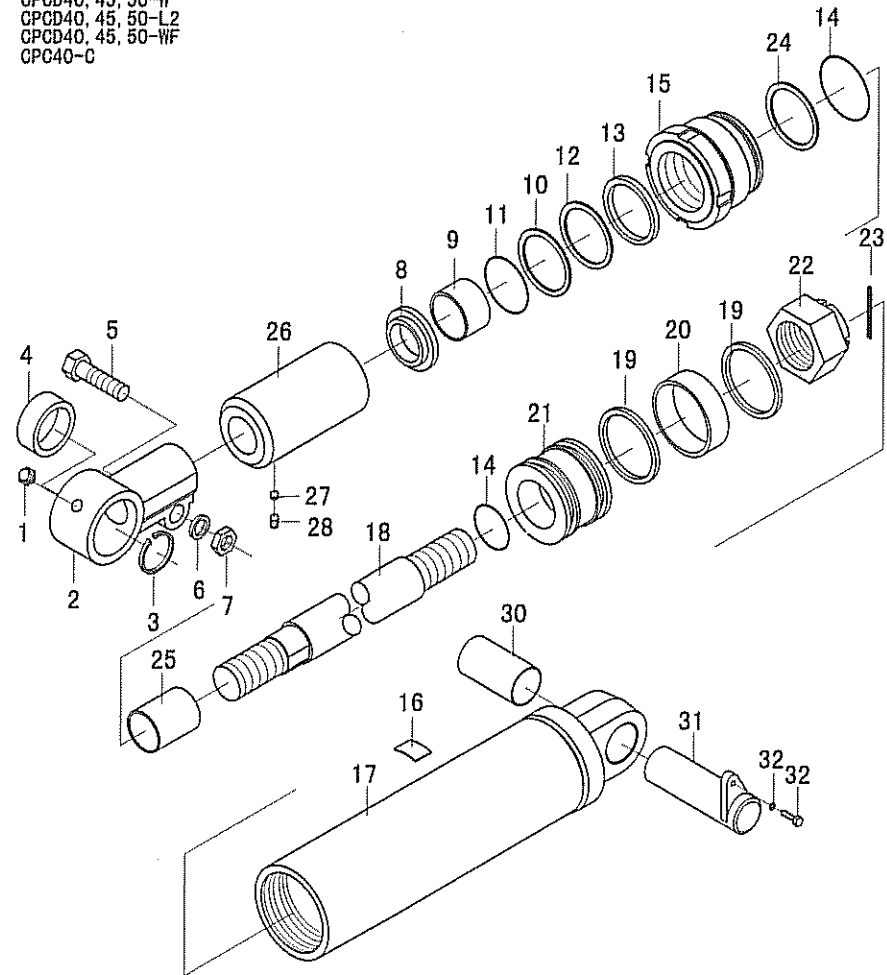


起升高度 Lift height	起升油缸 Lift cylinder	缸体 Cylinder	活塞杆 Rod, piston	链条 Chain, leaf
3000	D01D8-40001	D01D8-40301	D01D8-42101	D01D8-40501
3300	D01D8-40011	D01D8-40311	D01D8-42111	D01D8-40511
3500	D01D8-40021	D01D8-40321	D01D8-42121	D01D8-40521
3700	D01D8-40031	D01D8-40331	D01D8-42131	D01D8-40531
3750	D01D8-40041	D01D8-40341	D01D8-42141	D01D8-40541
4000	D01D8-40051	D01D8-40351	D01D8-42151	D01D8-40551
4250	D01D8-40061	D01D8-40361	D01D8-42161	D01D8-40561
4500	D01D8-40071	D01D8-40371	D01D8-42171	D01D8-40571
4750	D01D8-40081	D01D8-40381	D01D8-42181	D01D8-40581
5000	D01D8-40091	D01D8-403891	D01D8-42191	D01D8-40591

H

序号 Item No	图号 Part No	零部件名称 Description	件数 Q'ty	备注 Remark
01	GB1152-79	Fitting	2	油杯M10X1 GB1152-79
02	DO1D8-52001	Rod end	2	耳环
03	GB893.1-86	Snap ring	4	挡圈62 GB893.1-86
04	GE404E-2RS	Bearing	2	关节轴承 GB304.0-81
05	GB5782-86	Bolt	2	螺栓M16X65 GB5782-86
06	GB859-87	Shim	2	垫片16 GB859-87
07	GB6170-86	Nut	2	螺母M16 GB6170-86
08	DO1D8-50401	Seal, dust	2	防尘圈90 NOK AR2633 1 5
09	DO1D8-52011	Flushing	2	支承圈
10	DO1D8-52021	Wreath	2	保护圈
11	GB3452.1-82	O-ring	4	O形密封圈45X3.55 GB3452.1-82
12	DO1D8-52041	Wreath	2	保护圈
13	DO1D8-52071	Packing	2	密封圈45X55X8 NOK FU0569FO
14	GB3452.1-82	O-ring	2	O形密封圈82.5X3.55 GB3452.1-82
15	DO1D8-52051	Cap	2	导向套
16	-3	Dacel	2	标牌
17	DO1D8-50101	Cylinder	1	缸体 Left Right
18	DO1D8-52061	Piston	2	活塞杆
19	DO1D8-52031	Packing	4	密封圈90X75X9 NOK FU1017HO
20	DO1D8-52091	Wearing	2	支承圈
21	DO1D8-52101	Piston	2	活塞
22	GB9459-88	Nut	2	开槽螺母M30X2 GB9459-88
23	GB91-88	Pin	2	开口销6.3X60 GB91-88
24	DO1D8-52111	Wreath	2	保护圈
25	DO1D8-52191	Spacer	2	内限位套(前倾3°用) Pitch 3° only
26	DO1D8-52121	Spacer	2	限位套(后倾6°用) Retrovert 6° only
27		Rubber	2	橡胶垫(后倾6°用) Retrovert 6° only
28	GB72-88	Screw	2	螺钉M10X16(后倾6°用) GB72-88 Retrovert 6° only

CPQD40, 45, 50-R  
 CPCD40, 45, 50-W  
 GPCD40, 45, 50-L2  
 GPCD40, 45, 50-WF  
 CPC40-C

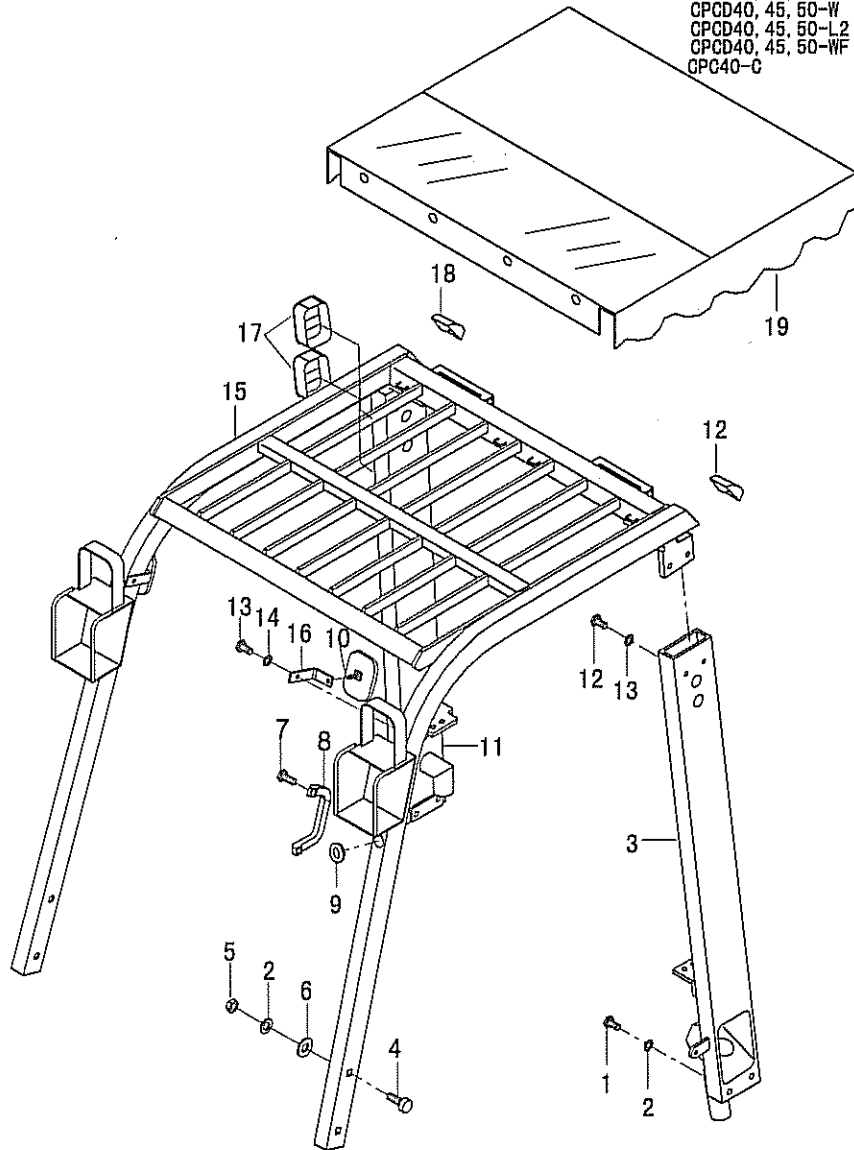


11

## 护顶架/OVERHEAD GUARD

图 81/F1G81

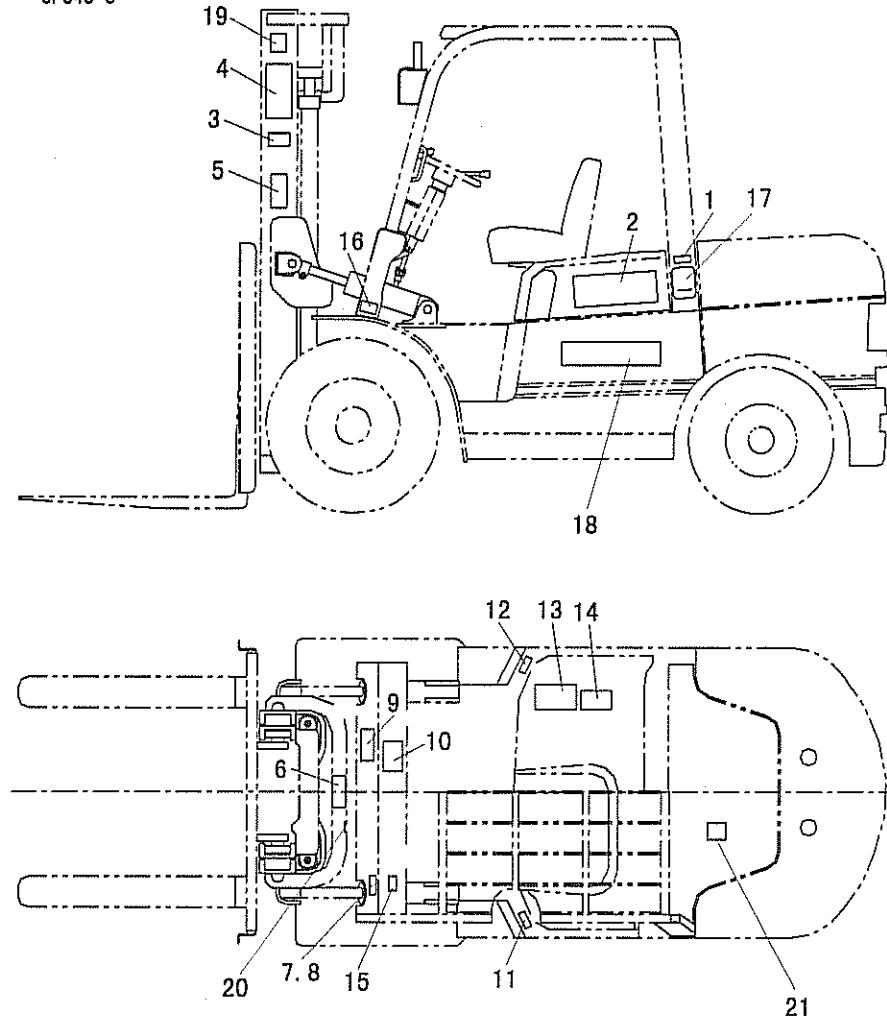
CPQD40, 45, 50-R  
CPCD40, 45, 50-W  
CPCD40, 45, 50-L2  
CPCD40, 45, 50-WF  
GPC40-C



序号 Item No	图号 Part No	零部件名称 Description	件数 Q'ty	备注 Remark
01	B0110-12025	Bolt	8	GB5781-86
02	B5050-00012	Washer	12	GB93-87
03	A33D5-10102	Rear pipe L.H	1	
04	A33D5-12001	Screw	4	
05	B4233-00012	Nut	4	GB6171-86
06	B5320-00012	Shim	4	GB97.1-85
07	GB70-85	Screw	2	GB70-85
08	A22A5-10412G	Handle, grip	1	
09	A01D5-12011	Grommet	7	
10	HRA01D5102	Rear view mirror	2	
11	A33D5-10201	Rear pipe R.H	1	
12	HRA01D5102	Cup, left	2	
13	B0110-08016	Bolt	2	GB5781-86
14	B5050-00008	Washer	2	GB93-87
15	A33D5-10301	Overhead guard	1	
16	A01D5-12021	Bracket	2	
17	HRA01D5105	Air	2	
18	HRA01D5102	Cup, right	1	
19	A33D5-12212	Canvas	1	

序号 Item No	图号 Part No	零部件名称 Description	件数 Q'ty	备注 Remark
01	6TY40-00-327	Decal, fuel 燃油标牌	1	
02	6TY40-00-328A	Decal, model H2000 40标牌	2	
-	6TY40-00-326A	Decal, model H2000 45标牌	2	
-	6TY40-00-327A	Decal, model H2000 50标牌	2	
03	HRA30C0012	Decal, Wheel 轮胎气压标牌	1	
04	6TY10-00-339	Decal, HELI HELI 标牌	2	
05	6TY40-00-62	Decal, safety 安全标志标牌	1	
06	6TY40-00-64	Decal, safety 安全标志标牌	1	
07	6TY10-00-19A	Name plate 叉式装卸车铭牌	1	
08	B2191-2P506	Rivet 铆钉2.5X6	4	GB827-88
09	6TY40-00-335	Decal, lubrication chart 润滑系统图表牌	1	
10	6TY40-00-338	Decal, capacity chart 负荷曲线标牌	1	
-	6TY40-00-340	Decal, capacity chart 负荷曲线标牌	1	
-	6TY40-00-341	Decal, capacity chart 负荷曲线标牌	1	
11	6TY40-00-343	Decal, capacity 容量标牌	1	
12	6TY40-00-344	Decal, oil 液压油标牌	1	
13	6TY40-00-97	Decal, start 启动前检查标牌	1	
14	6TY40-00-14	Decal 使用须知标牌	1	
15	6TY40-00-378	Decal, handbrake 手制动标牌	1	
16	6TY40-00-382	Decal, tyre safety 轮胎安全标牌	1	
17	6TY40-00-380	Decal, fansafety 风扇安全标牌	1	
18	6TY40-00-210	Decal 合力叉车标牌	1	
19	6TY40-00-135	Decal, crane 起吊标牌	3	
20	6TY40-00-455	Decal 禁止进入门架后空间标牌	1	
21	6TY40-00-384	Decal 加防冻液标牌	1	

CPQD40, 45, 50-R  
 CPCD40, 45, 50-W  
 CPD40, 45, 50-L2  
 CPCD40, 45, 50-WF  
 CPC40-C

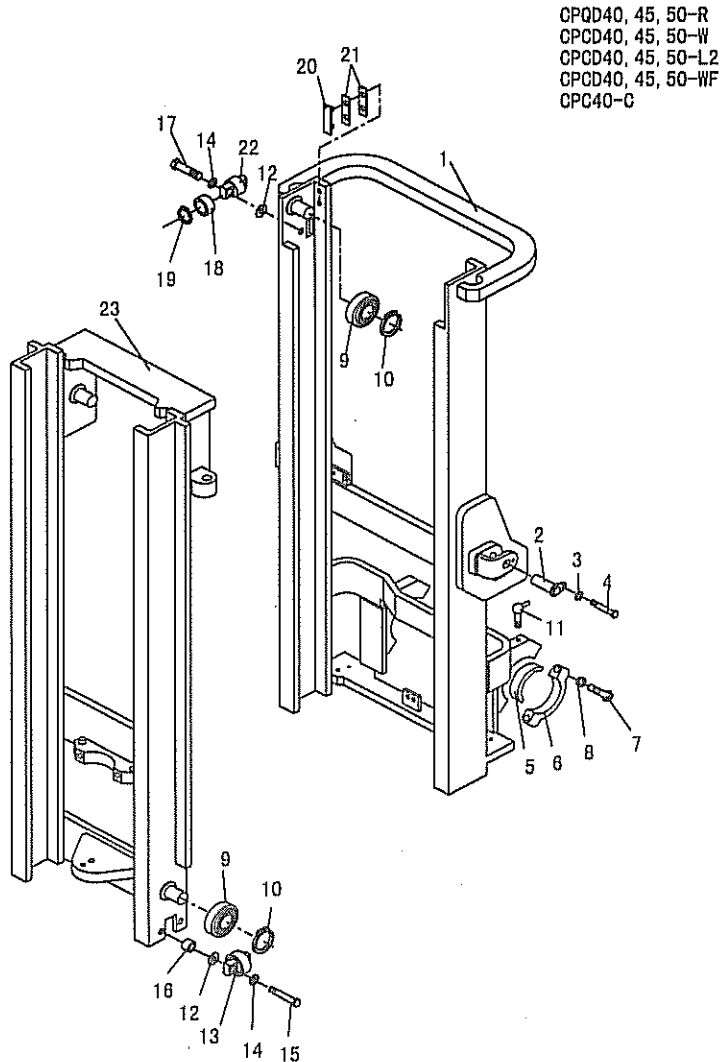




HK1

## 门架(两级全自由)/MAST(WIDE VIEW FULL FREE 2-STAGE MAST KZSM)

图83/FIG83



序号 Item No	图号 Part No	零部件名称 Description	件数 Q'ty	备注 Remark
01	HRD32D0401	Mast, outer 外门架	1	
02	D01D8-00201	Pin 倾斜油缸销轴	2	
03	B5050-00010	Washer 垫圈10	4	GB93-87
04	B0520-10025	Bolt 螺栓M10X1.25X25	6	GB5785-86
05	D01D8-02031	Bushing 轴衬	2	
06	D01D8-02041	Cap 支承座	2	
07	B0420-20090	Bolt 螺栓M20X1.5X90	4	GB5785-86
08	B5050-00020	Washer 垫圈20	6	GB93-87
09	D01D8-00301	Roller 主滚轮	4	
10	B6152-00050	Snap ring 挡圈50	4	GB894.1-86
11	Z2500-01001	Fitting 油杯M10X1	4	GB1152-89
12	HRD01D8003	Shim 调整垫片	6	
13	D01D8-00501	Side roller 侧滚轮组	2	
14	B5050-00012	Washer 垫圈12	4	GB93-87
15	B0420-12045	Bolt 螺栓M12X45	4	GB5785-86
16	D01D8-02131	Plate 垫块	4	
17	B5020-12040	Bolt 螺栓M12X1.25X40	4	GB5786-86
18	Z0088-00308	Bushing 轴承B0308	2	GB278-82
19	B6152-00040	Snap ring 挡圈40	4	GB894.1-86
20	D01D8-02171	Slipper 限位滑板	2	
21	HRD01D8004	Shim 调整垫片	2	
22	D01D8-02161	Shaft 侧滚轮轴	2	
23	HRD32D0404	Mast inner 内门架	1	

HK

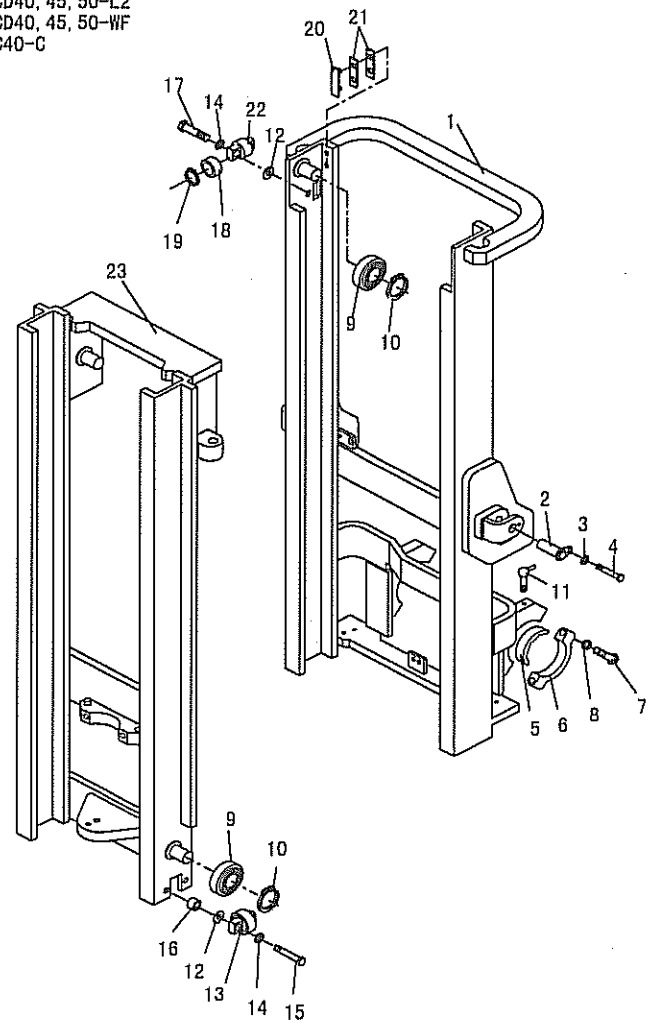
HC

HELI

门架选用件表 (Mast option parts)

起升高度 Lift height	内门架总成 Mast, inner	外门架总成 Mast, outer	备注 Remark
2710	D32C0-40401	D32C0-40201	
3000	D32C0-40411	D32C0-40211	
2610	D32C0-40421	D32C0-40221	
3300	D32C0-40431	D32C0-40231	
3500	D32C0-40441	D32C0-40241	
3750	D32C0-40451	D32C0-40251	
4000	D32C0-40461	D32C0-40261	

GPQD40, 45, 50-R  
 CPGD40, 45, 50-W  
 CPCD40, 45, 50-L2  
 CPCD40, 45, 50-WF  
 CPC40-C



HK

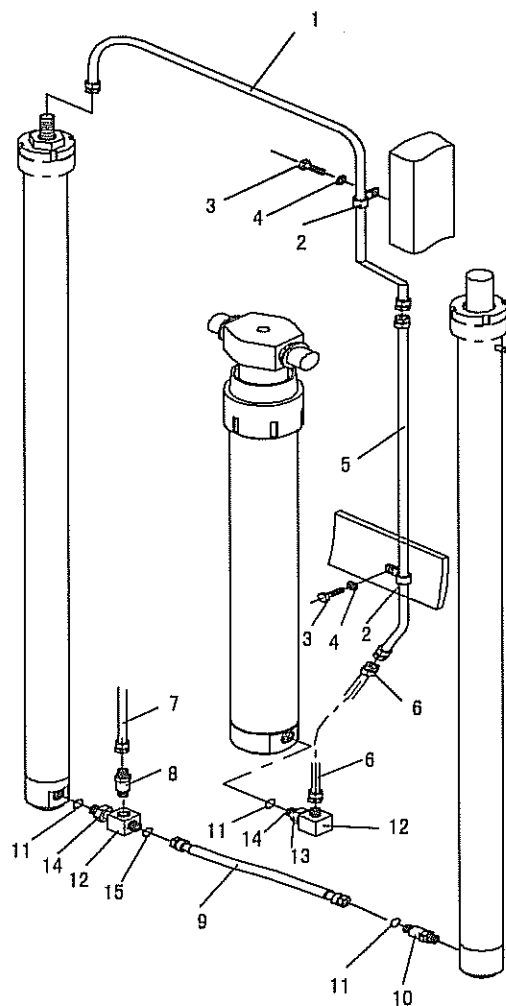


HK2

门架管路(两级全自由)HYDRAULIC SYSTEM MAST/WIDE VIEW FULL FREE 2-STAGE KZSM

图84/F1G84

GPQD40, 45, 50-R  
 GPCD40, 45, 50-W  
 GPCD40, 45, 50-L2  
 GPCD40, 45, 50-WF  
 CPC40-G



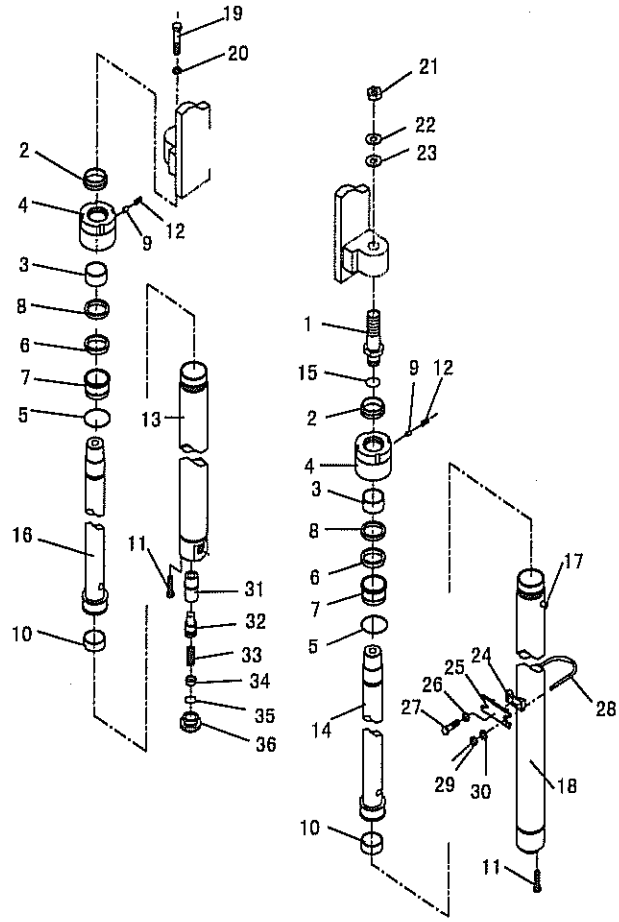
序号 Item No	图号 Part No	零部件名称 Description	件数 Q'ty	备注 Remark
01	D32C0-60201	Hose H.P	1	上油管总成
02	D32C0-62001	Clip	2	管卡
03	B0320-08010	Bolt	2	螺栓M8X10
04	B5050-00008	Washer	2	垫圈8
05	HRD32C0602	Hose H.P	1	下油管总成
06	D30C0-92371	Hose H.P	1	高压胶管
07	D01D8-62081	Hose H.P	1	高压胶管
08	D01D8-60201	Flow regulator	1	限速阀
09	D32C0-62141	Hose H.P	1	高压胶管
10	D32C0-60401	Valve, check	1	切断阀
11	Z6002-03004	O-ring	4	O形圈30X3.5
12	D30C0-92381	Pin	1	接头
13	D01D8-62061	Nut	2	螺母
14	D01D8-62071	Shim	2	垫片
15	D01D8-62051	Three way	1	三通接头体

HK

图85/F1G85 后起升油缸(两级全自由)/BACK LIFT CYLINDER(WIDE VIEW FULL FREE 2-STAGE MAST KZSM) HK3

序号 Item No	图号 Part No	零部件名称 Description	件数 Qty	备注 Remark
01	D3200-52001	Pin	杆头	1
02	D3200-52141	Seal	防尘圈	2 NOK C10087C3
03	D3200-52011	Sleeve	衬套	2
04	D3200-52041	Cap	缸盖	2
05	Z6051-06303	O-ring	O形圈63X3.55	2 GB3452.1-82
06	D01D8-42011	Y-ring	Y形密封圈50X60X8	2 NOK FU0620F0
07	D3000-52021	Sleeve	导向套体	2
08	D3200-52051	Seal	保护圈	2 NOK GN4335V0
09	D3200-52031	Plug	垫子	2
10	D3200-52091	Wearing	支承圈	2 NOK GW0019P1
11	HRD30C8002	Bolt	螺栓	2
12	GB73-85	Scrow	紧定螺钉	2
13	HRD32C0511	Cylinder ( R. H)	缸体(右)	1
14	HRD32C0505	Piston ass'y (L. H)	活塞杆总成(左)	1
15	Z6051-02363	O-ring	O形圈23.6X3.55	2 GB3452.1-82
16	HRD32C0509	Piston ass'y ( R. H)	活塞杆总成(右)	1
17	D3200-52151	Plug	堵塞	2
18	HRD32C0507	Cylinder ( L. H)	缸体(左)	1
19	B0420-20065	Bolt	螺栓M20X1.5X65	1 GB5785-86
20	B5050-00020	Washer	垫圈20	1 GB93-87
21	D3208-02001	Nut	螺母	1
22	D3208-02011	Shim	调整垫片	2
23	D01D8-02001	Shim	调整垫片	4
24	D01D8-02101	Rubber	橡胶套	2
25	D01D8-02091	Support	油缸支撑块	2
26	B0320-12065	Bolt	螺栓M12X65	2 GB5783-86
27	B4123-00012	Nut	螺母M12	2 GB6170-86
28	D01D8-02081	U-Bolt	U形螺栓	2
29	B4123-00010	Nut	螺母M10	4 GB6170-86
30	B5323-00010	Shim	垫圈10	4 GB97.1-85

CPQD40, 45, 50-R  
CPCD40, 45, 50-W  
CPCD40, 45, 50-L2  
CPCD40, 45, 50-WF  
CPC40-C

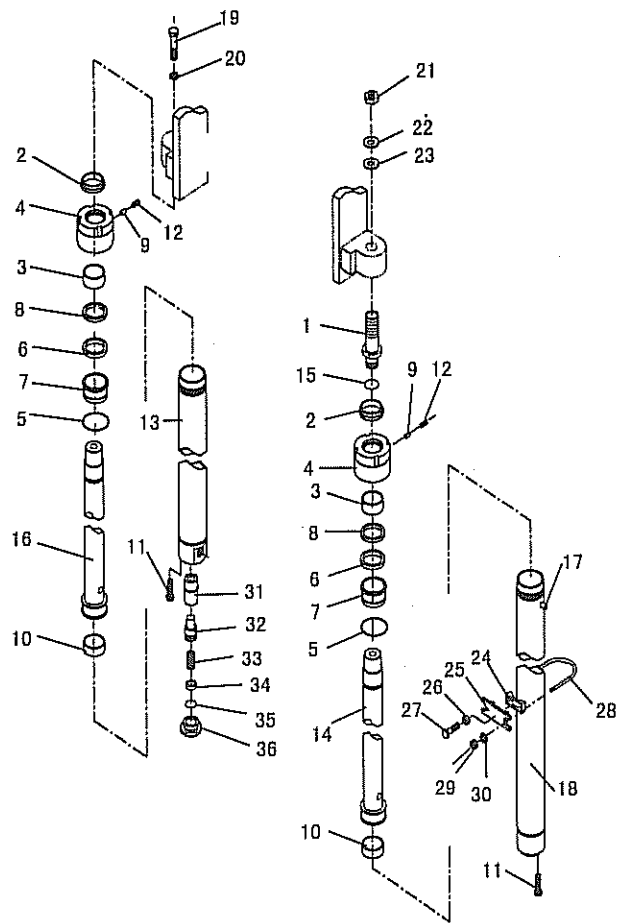


HK



HK3 后起升油缸(两级全自由) / BACK LIFT CYLINDER(WIDE VIEW FULL FREE 2-STAGE MAST KZSI) 图 85/FIG85

CPQD40, 45, 50-R  
 CPCD40, 45, 50-W  
 CPCD40, 45, 50-L2  
 CPCD40, 45, 50-WF  
 CPC40-C



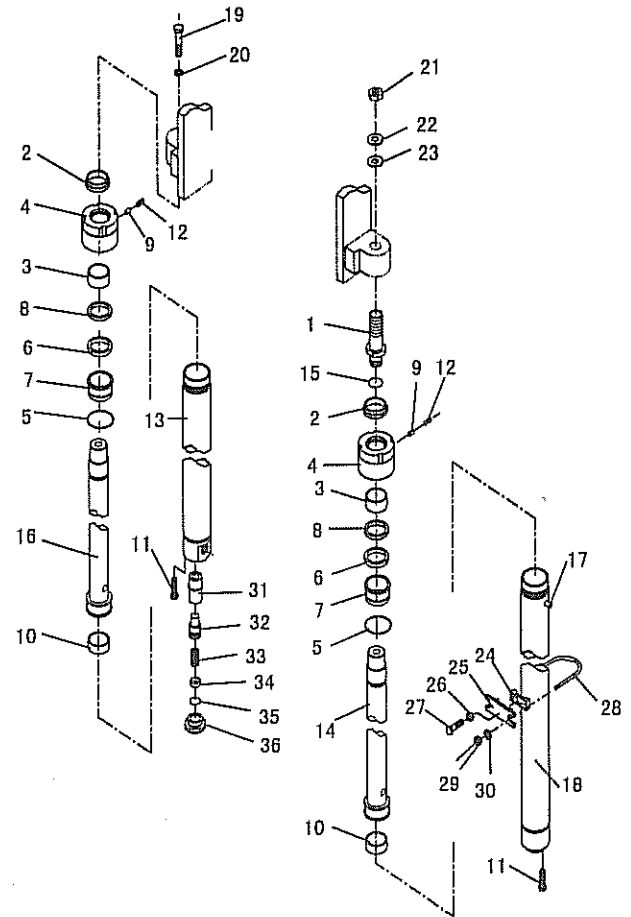
序号 Item No	图号 Part No	零部件名称 Description	件数 Qty	备注 Remark
31	D30C0-82181	Sleeve	1	阀套
32	D30C0-82171	Poppet	1	阀芯
33	D30C0-82191	Spring	1	弹簧
34	D30C0-82201	Seat	1	阀座
35	Z6051-03873	O-ring	1	O形圈38.7X3.55 GB3452.1-82
36	D30C0-82211	Nut	1	定位塞

HK

后缸选用件表 (Lift cylinder option table)

起升高度 Lift height	缸体(左) Cyl. body (Left)	缸体(右) Cyl. body (Right)	活塞杆总成(左) Rod. piston (Left)	活塞杆总成(右) Rod. piston (Right)	备注 Remark
2710	D32C0-50401	D32C0-50701	D32C0-50301	D32C0-50601	
3000	D32C0-50411	D32C0-50711	D32C0-50311	D32C0-50611	
2610	D32C0-50421	D32C0-50721	D32C0-50321	D32C0-50621	
3300	D32C0-50431	D32C0-50731	D32C0-50331	D32C0-50631	
3500	D32C0-50441	D32C0-50741	D32C0-50341	D32C0-50641	
3750	D32C0-50451	D32C0-50751	D32C0-50351	D32C0-50651	
4000	D32C0-50461	D32C0-50761	D32C0-50361	D32C0-50661	

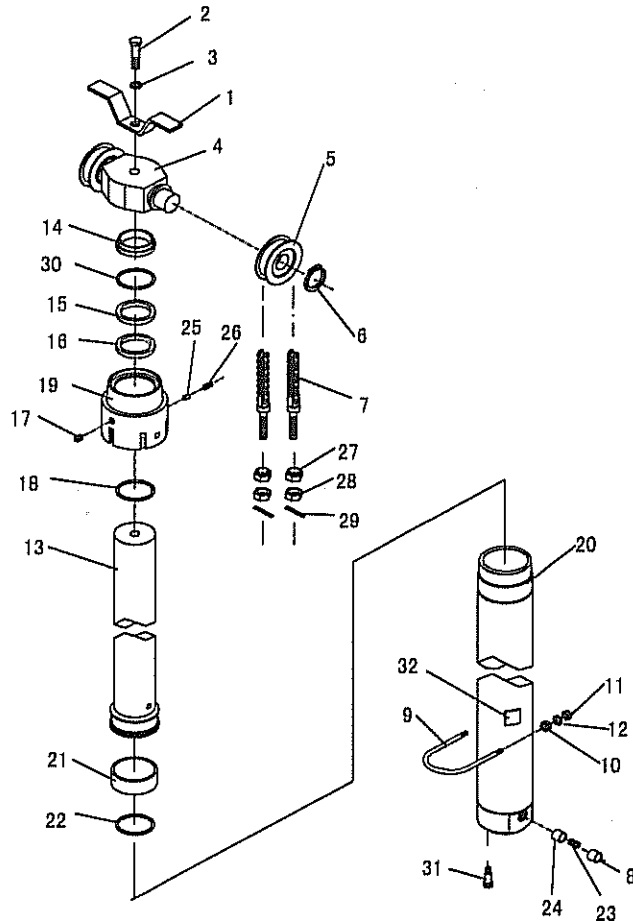
CPQD40, 45, 50-R  
 CPCD40, 45, 50-W  
 GPCD40, 45, 50-L2  
 GPCD40, 45, 50-WF  
 CPC40-C



HK



HK4 前起升油缸(两级全自由)/FRONT LIFT CYLINDER(WIDE VIEW FULL FREE 2-STAGE MAST KZSM) 图86/FIG86



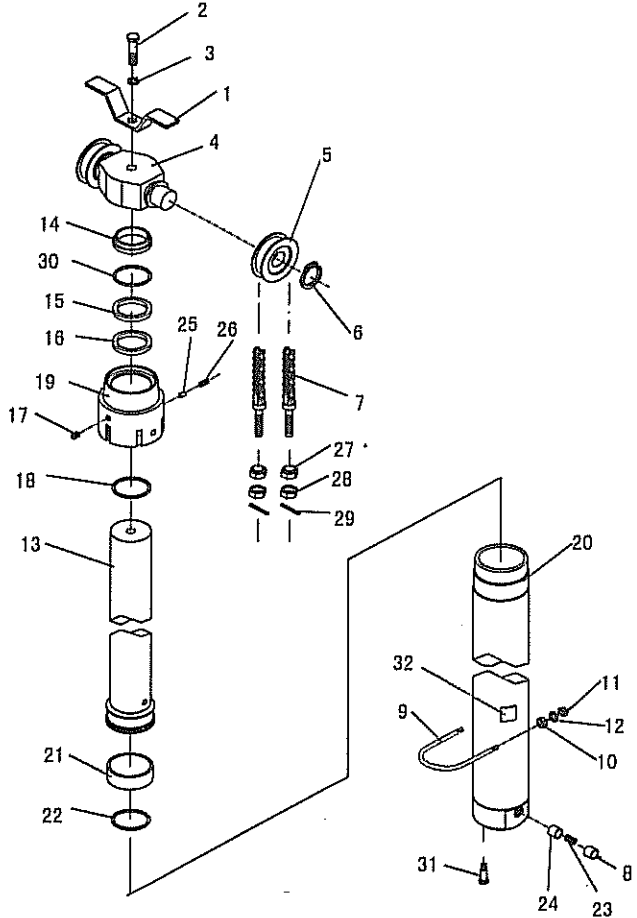
CPQD40, 45, 50-R  
CPCD40, 45, 50-W  
CPCD40, 45, 50-L2  
CPCD40, 45, 50-WF  
CPC40-C

序号 Item No	图号 Part No	零部件名称 Description	件数 Q'ty	备注 Remark
01	D3208-02041	Stopper	护板 1	
02	B0420-20080	Bolt	螺栓M20X1.5X80 1	GB5785-86
03	B5050-00020	Washer	垫圈20 1	GB93-87
04	D3208-02051	Piston head	起升链轮座 1	
05	D01D8-00401	Seave	链轮 2	
06	B6152-00055	Snap ring	挡圈55 2	GB894.1-86
07	HRD32C0504	Leaf chain	链条总成 2	
08	D3000-82501	Piston	滑阀 1	
09	D3208-02021	U-bolt	U形螺栓 1	
10	D3208-02011	Rubber	橡胶垫 2	
11	B4123-00012	Nut	螺母M12 2	GB6170-86
12	D3008-02031	Shim	平垫 2	
13	HRD32C0512	Piston rod	活塞与活塞杆组件 1	
14	D3200-52151	Seal	防尘圈 1	NOK GL0448C2
15	D3200-52161	Seal	保护圈 1	NOK Gn918700
16	D3200-52171	Ring	Yx密封圈110 1	NOK FU11S8FO
17	D3200-52151	Plug	堵塞 1	
18	Z6051-14005	O-ring	O形圈140X7 1	GB3452.1-82
19	D3200-52181	Wearing	导向套 1	
20	HRD32C0514	Cylinder	缸体 1	
21	D3200-52221	Bushing	支承圈 1	NOK CW0283PO
22	Z6051-11504	O-ring	O形圈115X5.3 1	GB3452.1-82
23	D01D8-42081	Spring	弹簧 1	
24	D3000-82441	Seat	弹簧座 1	
25	D3200-52031	Plug	垫子 1	
26	B1832-06008	Scrow	紧定螺钉 1	GB80-85
27	D01D8-42291	Shim	垫圈 2	
28	B4230-00022	Nut	螺母M22X1.5 4	GB6171-86
29	B3010-2P540	Pin	开口销2.5X40 2	GB91-86
30	Z6051-10904	O-ring	O形圈109X5.3 1	GB3452.1-82

图86/F | G86 | 前起升油缸(两级全自由)/FRONT LIFT CYLINDER(WIDE VIEW FULL FREE 2-STAGE MAST KZSM) HK4

序号 Item No	图号 Part No	零部件名称 Description	件数 Qty	备注 Remark
31	HRD30C8002	Bolt	螺栓	1
32		Desal	标牌	1

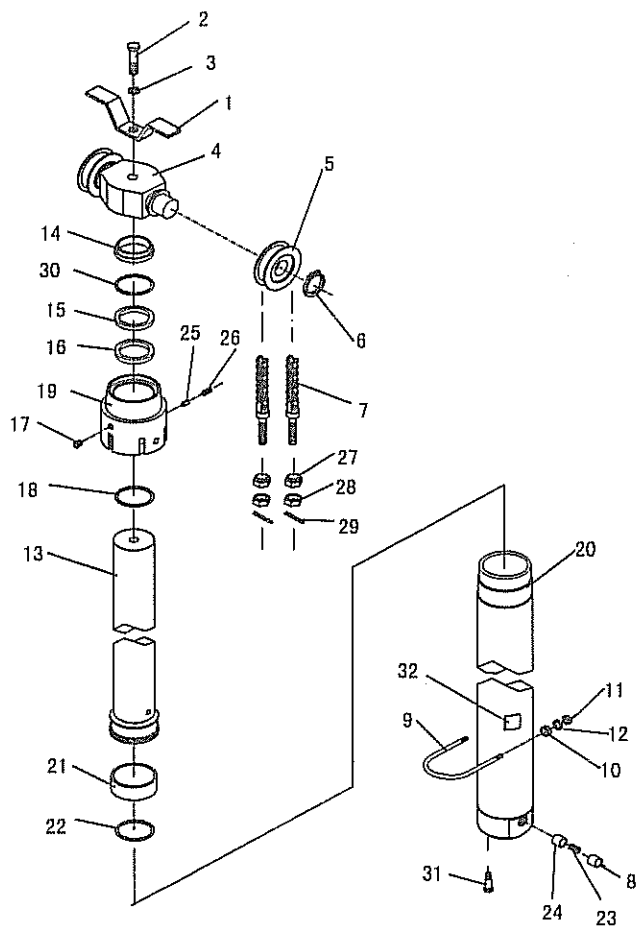
GPQD40, 45, 50-R  
 GPCD40, 45, 50-W  
 CPCD40, 45, 50-L2  
 CPCD40, 45, 50-WF  
 GPC40-C



HK



HK4 前起升油缸(两级全自由)/FRONT LIFT CYLINDER(WIDE VIEW FULL FREE 2-STAGE MAST KZSM) 图86/FIG86



GPQD40, 45, 50-R  
 GPCD40, 45, 50-W  
 GPCD40, 45, 50-L2  
 GPCD40, 45, 50-WF  
 GPC40-C

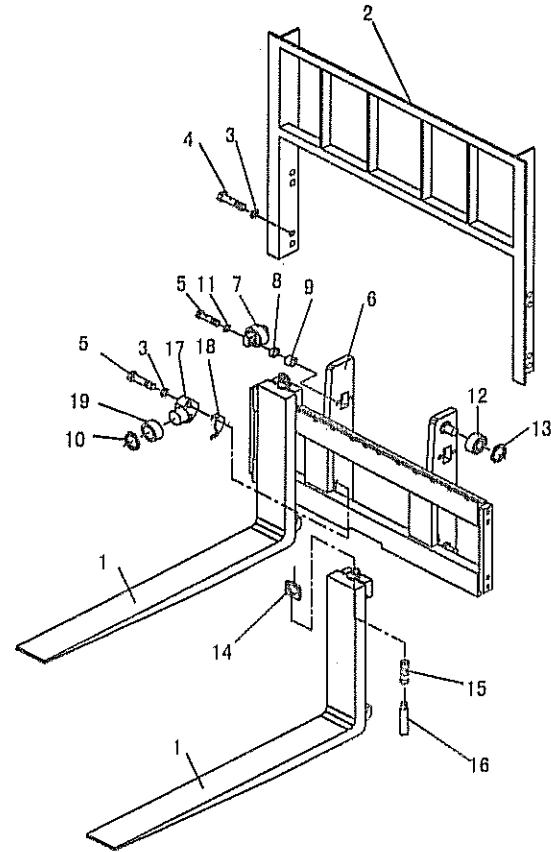
前缸选用件表 (Lift cylinder option table)

起升高度 Lift height	缸体 Cyl. body	活塞与活塞杆组件 Rod. piston	全自由起升链条 Chain	备注 Remark
2710	D32C0-51001	D32C0-50901	D32C0-51101	
3000	D32C0-51011	D32C0-50911	D32C0-51111	
2610	D32C0-51021	D32C0-50921	D32C0-51121	
3300	D32C0-51031	D32C0-50931	D32C0-51131	
3500	D32C0-51041	D32C0-50941	D32C0-51141	
3750	D32C0-51051	D32C0-50951	D32C0-51151	
4000	D32C0-51061	D32C0-50961	D32C0-51161	

图87/FIG87 货叉与货叉架(两级全自由)/FORK & LIFT BRACKET(WIDE VIEW FULL FREE 2-STAGE MAST KZSM) HK5

序号 Item No	图号 Part No	零部件名称 Description	件数 Q'ty	备注 Remark
01	HRD01D8102	Fork	2	货叉
02	D01D8-20201	Backrest	1	挡货架
03	B5050-00016	Washer	6	垫圈16 GB93-87
04	B0520-16035	Bolt	6	螺栓M16X1.5X35 GB5785-86
05	B0420-12045	Bolt	4	螺栓M12X1.25X65 GB5785-86
06	D32C8-00201	Lift Bracket	1	货叉架
07	D01D8-00501	Retaining roller	2	侧滚轮组
08	HRD01D8003	Shim	4	调整垫片
09	D01D8-02141	Plate	4	垫块
10	B6152-00035	Snap ring	2	挡圈35 GB894.1-86
11	B5050-00012	Washer	4	垫圈12 GB93-87
12	D01D8-00301	End roller	4	主滚轮
13	B6152-00050	Snap ring	4	挡圈50 GB894.1-86
14	D20B8-02031	Hand	2	把手
15	D01D8-12011	Spring	2	弹簧
16	D01D8-12021	Pin	2	插销
17	D01D8-02051	Shaft	2	侧滚轮轴
18	HRD01D8002	Shim	2	调整垫片
19	180707K	Roller	2	滚轮

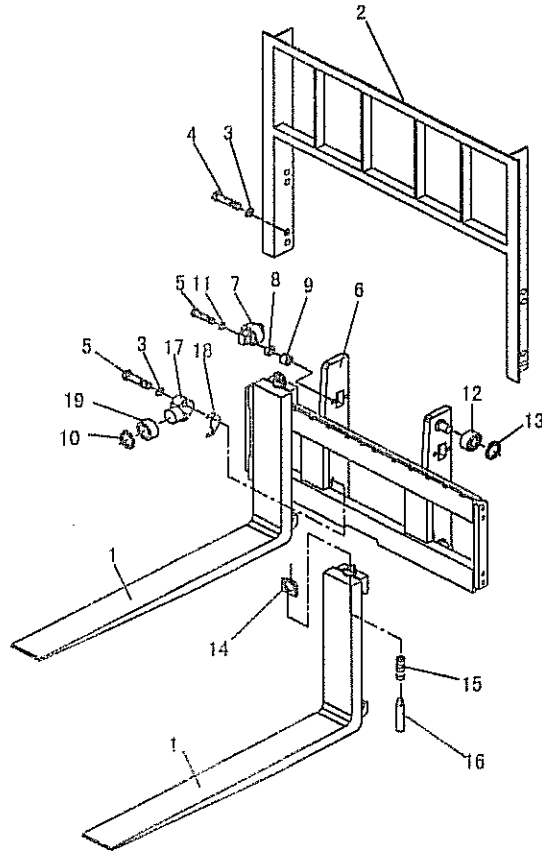
CPQD40, 45, 50-R  
 CPCD40, 45, 50-W  
 CPCD40, 45, 50-L2  
 CPCD40, 45, 50-WF  
 CPC40-C



HK

HK5 货叉与货叉架(两级全自由)/FORK & LIFT BRACKET(WIDE VIEW FULL FREE 2-STAGE MAST KZSM) 图87/FIG87

CPCD40, 45, 50-R  
 CPCD40, 45, 50-W  
 CPCD40, 45, 50-L2  
 CPCD40, 45, 50-WF  
 CPC40-C

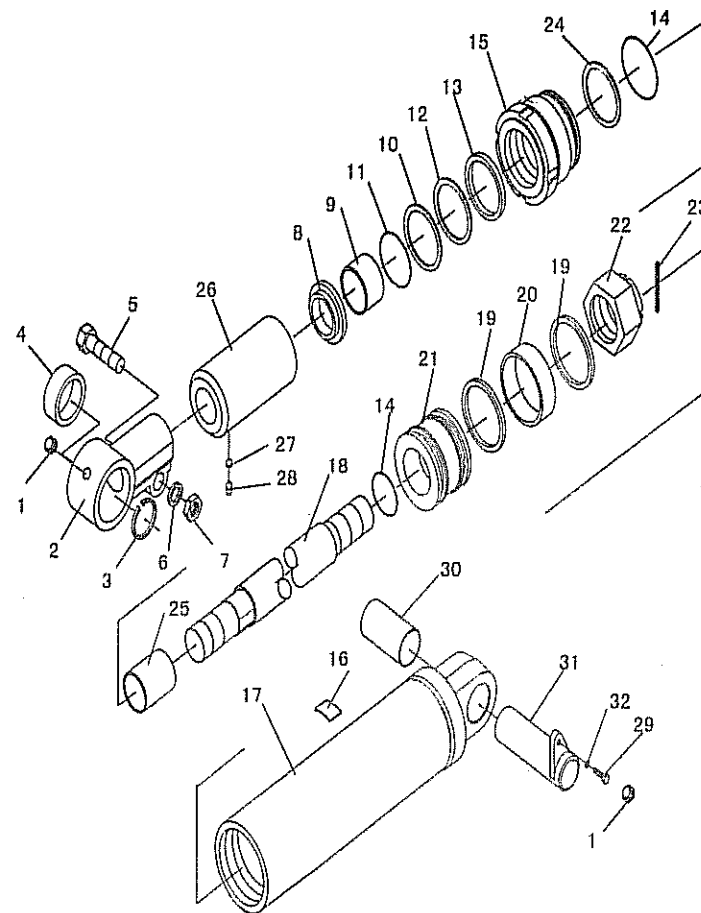


货叉选用件表(Fork option parts)

货叉长度 Fork length	代号 Part number	备注 Remark
1070	D01D8-12061	
1150	D01D8-12071	
1200	D01D8-12081	
1220	D01D8-12091	
1370	D01D8-12101	
1500	D01D8-12111	
1520	D01D8-12121	
1600	D01D8-12131	
1670	D01D8-12141	
1800	D01D8-12151	
1820	D01D8-12161	
2000	D01D8-12171	
1400	D01D8-12181	

序号 Item No	图号 Part No	零部件名称 Description	件数 Qty	备注 Remark
01	GB1152-79	Fitting 油杯M10X1	4	GB1152-79
02	D01D8-52001	Rod end 耳环	2	GB304.6-81
03	GB893.1-86	Snap ring 挡圈62	4	GB5782-86
04	GE404E-2RS	Bearing 关节轴承	2	GB859-87
05	GB5782-86	Bolt 螺栓M16X665	2	GB5782-86
06	GB859-87	Shim 垫圈16	2	GB859-87
07	GB6170-86	Nut 螺母M16	2	GB6170-86
08	D01D8-50401	Seal, dust 防尘圈90	2	NOK AR2633
09	D01D8-52011	Bushing 支承圈	2	
10	D01D8-52021	Wreath 保护圈	2	
11	GB3452.1-82	O-ring O形圈45X3.55	2	GB3452.1-86
12	D01D8-52041	Wreath 保护圈	2	
13	D01D8-52071	Packing 密封圈45X55X8	2	NOK Fu0569F0
14	GB3452.1-82	O-ring O形圈82.5X3.55	2	GB3452.1-86
15	D01D8-52051	Cap 导向套	2	
16	-3	Dacel 标牌	2	
17	D01D8-50101	Cylinder 缸体	1	Left Right
18	D01D8-52061	Packing 活塞杆	2	
19	D01D8-52031	Piston 密封圈90X75X9	4	NOK FU1017H0
20	D01D8-52091	Wearing 支承圈	2	
21	D01D8-52101	Piston 活塞	2	
22	GB9459-88	Nut 开槽螺母M30X2	2	GB9459-88
23	GB91-86	Pin 开口销6.3X60	2	GB91-86
24	D01D8-52111	Wreath 保护圈	2	
25	D01D8-52191	Spacer 内限位套(前倾3°用)	2	Pitch 3° only
26	D01D8-52121	Spacer 限位套(后倾6°用)	2	Retrovert6° only
27		Rubber 橡胶垫(后倾6°用)	2	Retrovert6° only
28	GB72-88	Screw 螺钉M10X16(后倾6°用)	2	GB72-88 Retrovert6° only
29	B5050-0010	Washer 垫圈10	2	GB93-87
30	-5	Bushing 衬套	2	

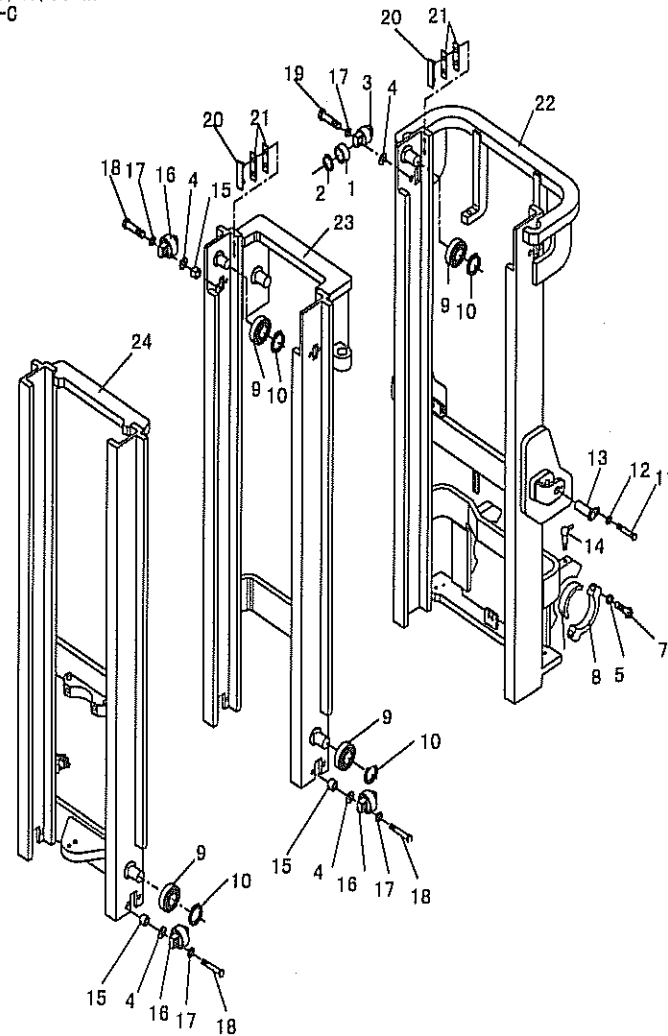
CPQD40.45.50-R  
CPCD40.45.50-W  
CPCD40.45.50-L2  
CPCD40.45.50-WF  
GPC40-C



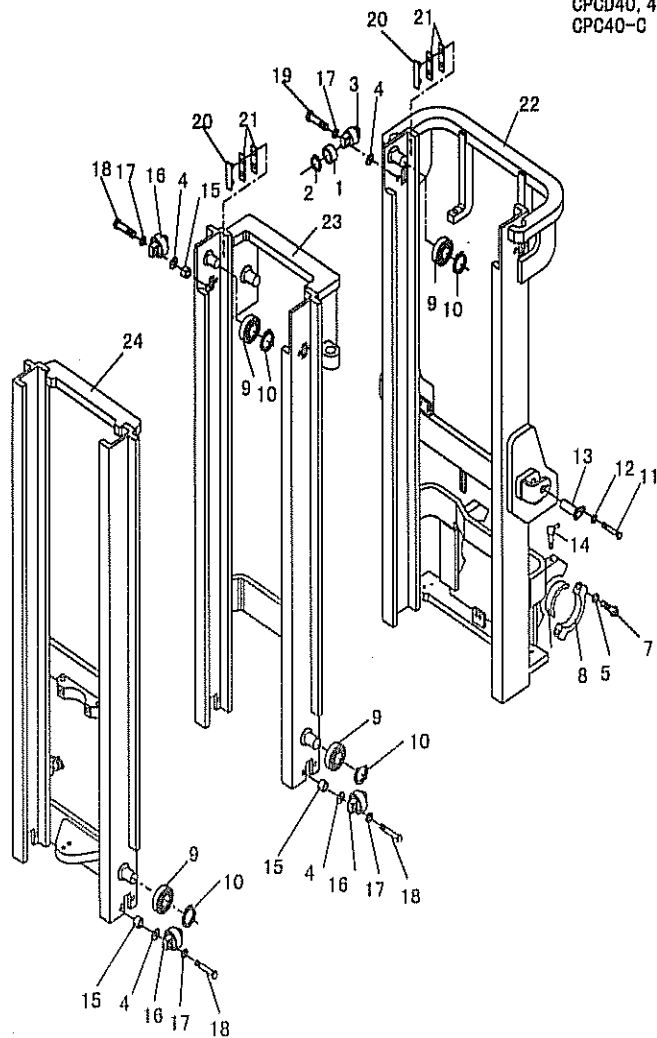


序号 Item No	图号 Part No	零部件名称 Description	件数 Qty	备注 Remark
01	Z0088-00308	Bushing 轴承80308	2	GB278-82
02	B6152-00030	Snap ring 挡圈40	4	GB894.1-86
03	D01D8-02161	Shaft 侧滚轮轴11	2	
04	HRD01D8003	Shim 调整垫片	2	
05	D01D8-02041	Cap 支座盖	2	
06	B5050-00020	Washer 垫圈20	4	GB93-87
07	B0420-20090	Bolt 螺栓M20X1.5X90	4	
08	D01D8-02031	Bushing 轴衬	2	
09	D01D8-00301	Roller 主滚轮	8	
10	B6152-00050	Snap ring 挡圈50	8	GB894.1-86
11	B0520-10025	Bolt 螺栓M10X1.25X25	4	GB5786-86
12	B5050-00010	Washer 垫圈10	4	GB93-87
13	D01D8-00201	Pin 倾斜油缸销轴1	2	
14	Z2500-01001	Fitting 油杯M10X1	4	GB1152-89
15	D01D8-02131	Plate 垫块	12	
16	D01D8-00501	Side roller 侧滚轮组	6	
17	B5050-00010	Washer 垫圈12	4	GB93-87
18	B0420-12050	Bolt 螺栓M12X1.25X50	12	GB5786-86
19	B0520-12040	Bolt 螺栓M12X1.25X40	4	GB5786-86
20	D01D8-02171	Slipper 限位滑块	4	
21	HRD01D8004	Shim 调整垫片	4	
22	HRD30C0701	Mast inner 外门架	1	
23	HRD30C0704	Mast middle 中门架	1	
24	HRD30C0710	Mast outer 内门架	1	

CPQD40, 45, 50-R  
CPCD40, 45, 50-W  
CPCD40, 45, 50-L2  
CPCD40, 45, 50-WF  
CPC40-C



CPQD40, 45, 50-R  
 CPCD40, 45, 50-W  
 CPCD40, 45, 50-L2  
 CPCD40, 45, 50-WF  
 CPC40-C



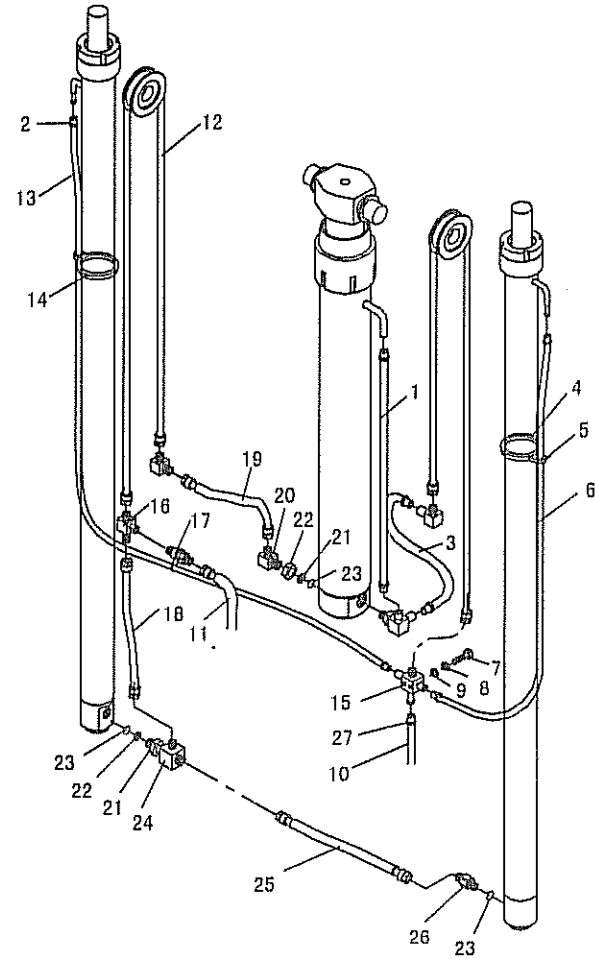
门架选用件表(Mast option parts)

起升高度 Lift height	外门架总成 Mast, outer	中门架总成 Mast, middle	内门架总成 Mast, inner	备注 Remark
3920	D30C0-70201	D30C0-70401	D30C0-70801	
4350	D30C0-70211	D30C0-70411	D30C0-70811	
4700	D30C0-70221	D30C0-70421	D30C0-70821	
4800	D30C0-70231	D30C0-70431	D30C0-70831	
5000	D30C0-70241	D30C0-70441	D30C0-70841	
5400	D30C0-70251	D30C0-70451	D30C0-70851	
6000	D30C0-70261	D30C0-70461	D30C0-70861	
4500	D30C0-70271	D30C0-70471	D30C0-70871	

图 90/F/G90 门架管路(三级全自由)/HYDRAULIC SYSTEM MAST(WIDE VIEW FULL FREE 3-STAGE MAST KZSM) HK8

序号 Item No	图号 Part No	零部件名称 Description	件数 Q'ty	备注 Remark
01	HRD300902	Hose 胶管	1	
02	Z5690-00023	Clip 双钢丝紧箍 $\phi$ 23	8	
03	D30C0-92011	Hose L.P. 胶管	1	
04	HRD30C0903	Hose L.P. 胶管	1	
05	D01D8-62001	Seat 管座	3	
06	90D-91-1	Clip 尼龙扎带	2	
07	B0110-06020	Bolt 螺栓M6X20	2	GB5781-86
08	B5052-00006	Washer 垫	2	GB93-87
09	B5310-00006	Shim 垫	2	GB97.1-85
10	D30C0-92181	Hose H.P. 胶管	1	
11	D01D8-62081	Hose H.P. 高压胶管	1	
12	HRD30C0904	Hose H.P. 高压胶管	2	
13	HRD30C0905	Hose H.P. 胶管	1	
14	50D-91-1	Clip 尼龙扎带	1	
15	D30C0-90401	Four Way 四通接头	1	
16	D01D8-60201	Flow regulator 限速阀	1	
17	D30C0-92351	Three Way 三通接头	1	
18	D30C0-92361	Hose H.P. 高压胶管	1	
19	D30C0-92371	Hose H.P. 高压胶管	1	
20	D30C0-92381	Connect 接头	1	
21	D01D8-62061	Nut 螺母	2	
22	D01D8-62071	Shim 垫片	2	
23	Z6002-03004	O-ring 0形圈30X3.5	3	GB1235-76
24	D30C0-92391	Connect 接头	1	
25	D01D8-62041	Hose H.P. 高压胶管	1	
26	D01D8-02031	Connct 接头体	1	
27	Z5090-00030	Clip 双钢丝紧箍 $\phi$ 33	2	

GPQD40, 45, 50-R  
 CPCD40, 45, 50-W  
 CPCD40, 45, 50-L2  
 CPCD40, 45, 50-WF  
 CPG40-C



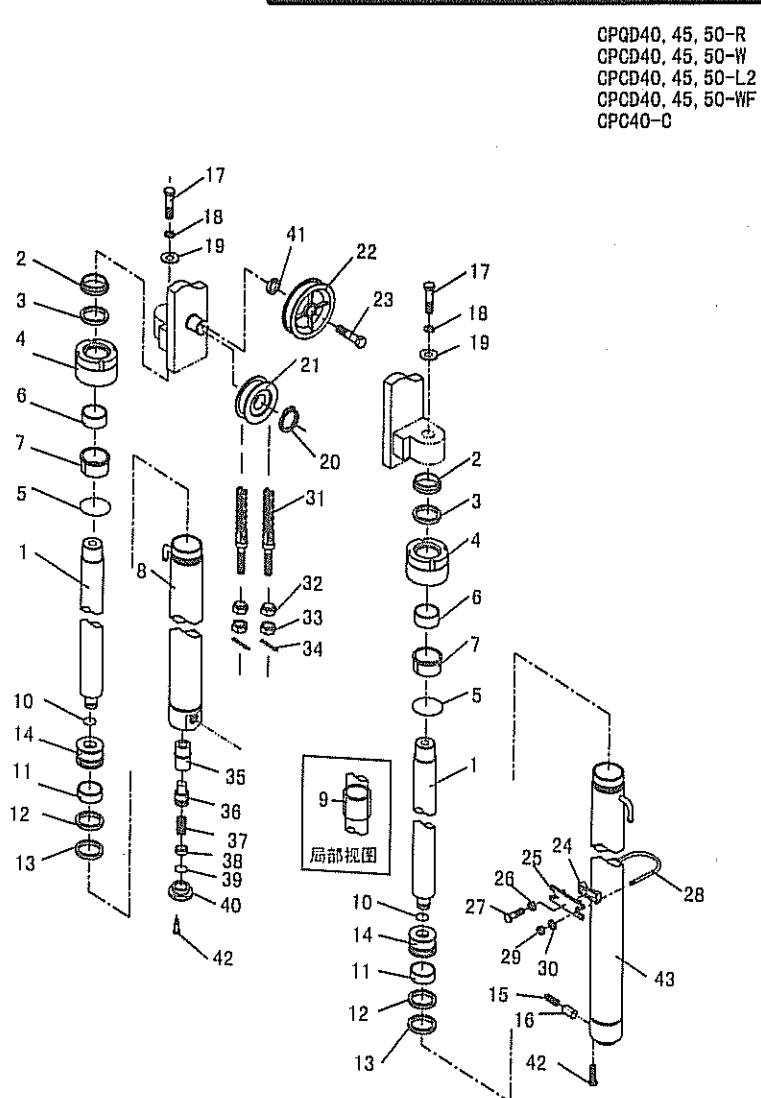
HK



HK9

后起升油缸(三级全自由)/BACK LIFT CYLINDER(WIDE VIEW FULL FREE 3-STAGE MAST KZSM)

图91/FIG91



序号 Item No	图号 Part No	零部件名称 Description	件数 Q'ty	备注 Remark
01	HRD30C0803	Rod	2	活塞杆
02	D01D8-40201	Seal	2	防尘圈
03	D01D8-42001	Clip	2	缸盖
04	D01D8-42011	Packing	2	密封圈50
05	Z6051-07753	O-ring	2	O形圈77.5X3.55 GB3452.1-82
06	D01D8-42351	Bushing	2	铜套
07	D01D8-42021	Sleeve	2	衬套
08	HRD30C0804	Cylinder (L.H)	1	左缸体
09	HRD30C0814	Spacer	2	调整套
10	D01D8-42341	Snap	2	钢丝挡圈42 GB895.1-86
11	D01D8-42041	Wearing	2	支承环
12	D01D8-42051	Snap ring	2	挡片70
13	D01D8-42061	Packing	2	密封圈70
14	D30C0-82161	Piston	2	活塞
15	D01D8-42081	Spring	1	弹簧
16	D01D8-42091	Sleeve	1	滑阀
17	B0420-20065	Bolt	2	螺栓M20X1.5X65 GB5785-86
18	B5050-00020	Washing	2	垫圈20 GB93-87
19	D01D8-02001	Shim	2	调整垫片
20	B6152-00055	Snap	2	挡圈55 GB894.1-86
21	D01D8-40401	Sheave	2	链轮
22	D30C8-02021	Roller	2	软管滑轮
23	D30C8-02041	Screw	2	螺钉
24	D01D8-02101	Rubber	2	橡胶套
25	D01D8-02091	Support	2	油缸支承块
26	B0320-12065	Bolt	2	螺栓M12X65 GB5783-86
27	B4123-00010	Nut	2	螺母M12 GB6170-86
28	D01D8-02081	U-bolt	2	U形螺栓
29	B4123-00010	Nut	2	螺母M10 GB6170-86
30	B5323-00010	Shim	2	垫圈10 GB97.1-85

HK

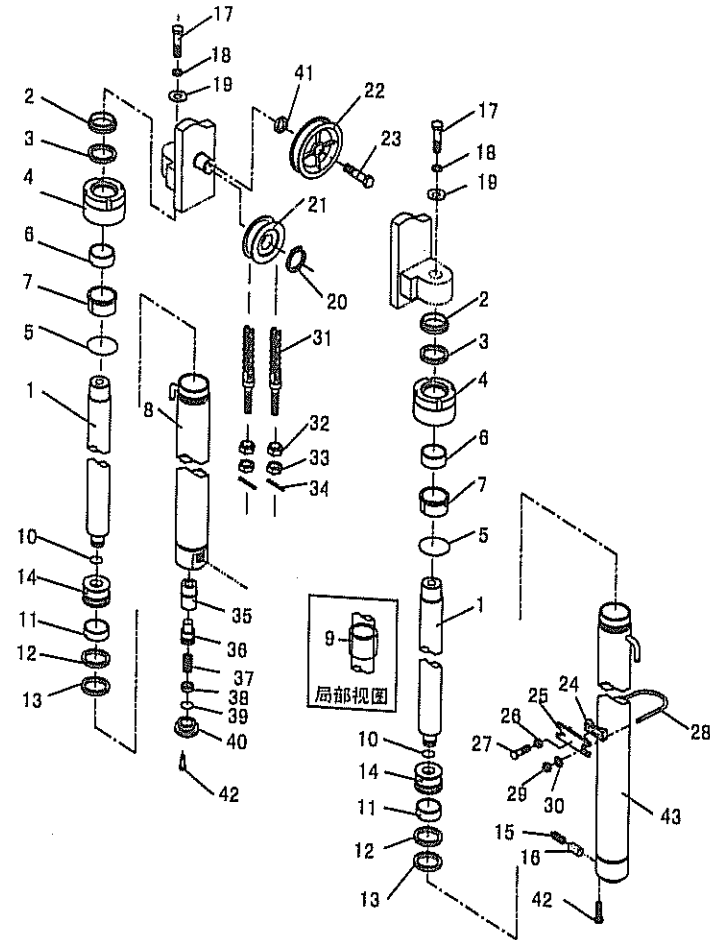
图91/FIG91

后起升油缸(三级全自由)/BACK LIFT CYLINDER(WIDE VIEW FULL FREE 3-STAGE MAST KZSM)

HK9

序号 Item No	图号 Part No	零部件名称 Description	件数 Q'ty	备注 Remark
31	HRD30C0801	Chain 起升链条	2	
32	D01D8-42291	Shim 垫圈	2	
33	B4230-00022	Nut 螺母M22X1.5	2	GB6171-86
34	B3130-2P540	Pin 开口销2.5X40	2	GB91-86
35	D30-C0-82171	Poppet 阀芯	1	
36	D30C0-82181	Sleeve 阀套	1	
37	D30C0-82191	Spring 弹簧	1	
38	D30C0-82201	Eat. spring 阀座	1	
39	Z6051-03873	O-ring O形圈38.7X3.55	1	GB3452.1-86
40	D30C0-82211	Nut 定位座	1	
41	D30C8-02031	Shim 限位环	2	
42	HRD30C8002	Bolt 螺栓	2	
43	HRD30C0807	Cylinder (R. H) 右缸体	1	

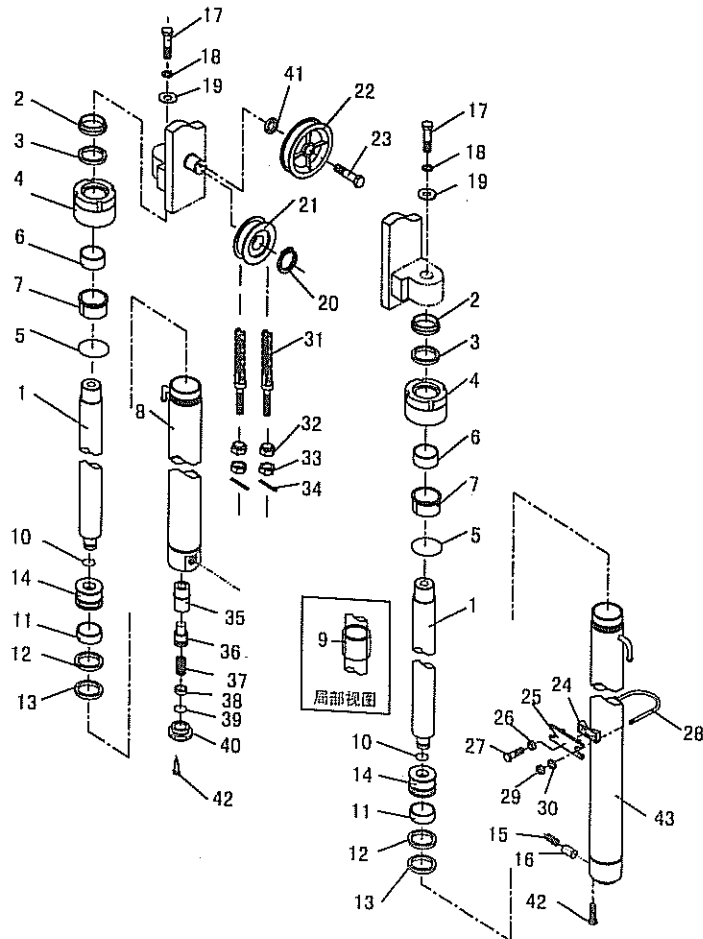
CPQD40, 45, 50-R  
CPCD40, 45, 50-W  
CPCD40, 45, 50-L2  
CPCD40, 45, 50-WF  
CPC40-C



HK

HK9 后起升油缸(三级全自由)/BACK LIFT CYLINDER(WIDE VIEW FULL FREE 3-STAGE MAST KZSM) 图9/FIG91

CPCD40, 45, 50-R  
 CPCD40, 45, 50-W  
 CPCD40, 45, 50-L2  
 CPCD40, 45, 50-WF  
 CPC40-C



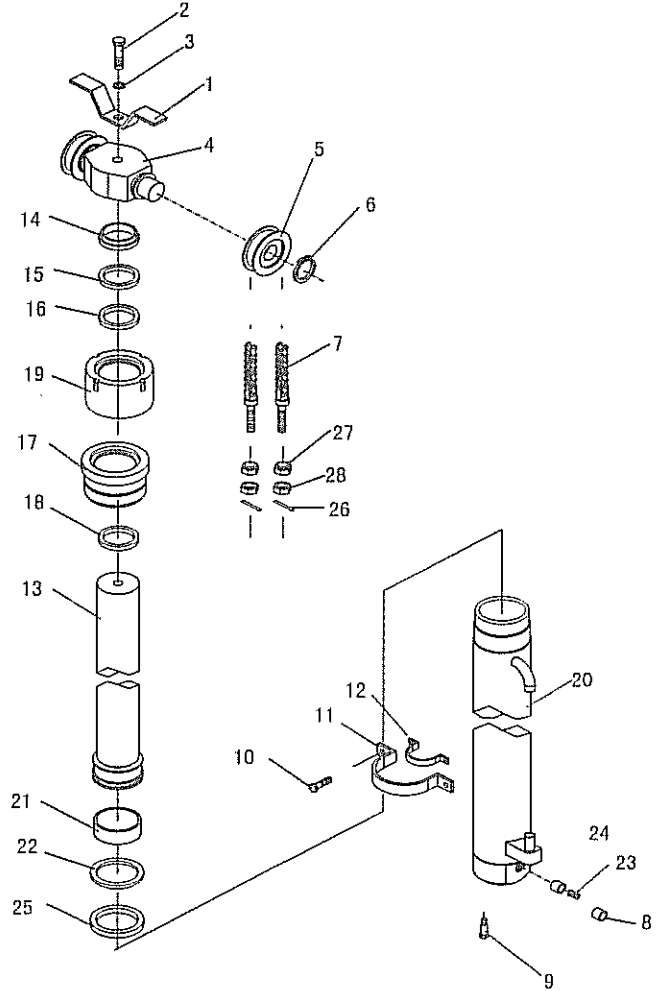
后缸选用件表(Lift cylinder option table)

起升高度 Lift height	缸体(左) Cyl. body (Left)	缸体(右) Cyl. body (Right)	活塞杆 Rod. piston	起升链条 Chain	备注 Remark
3920	D30C0-80401	D30C0-80601	D30C0-82001	D30C0-80201	
4350	D30C0-80411	D30C0-80611	D30C0-82011	D30C0-80211	
4700	D30C0-80421	D30C0-80621	D30C0-82021	D30C0-80221	
4800	D30C0-80431	D30C0-80631	D30C0-82031	D30C0-80231	
5000	D30C0-80441	D30C0-80641	D30C0-82041	D30C0-80241	
5400	D30C0-80451	D30C0-80651	D30C0-82051	D30C0-80251	
6000	D30C0-80461	D30C0-80661	D30C0-82061	D30C0-80261	
4500	D30C0-80471	D30C0-80671	D30C0-82511	D30C0-80271	

图92/F1G92 前起升油缸(三级全自由)/FRONT LIFT CYLINDER(WIDE VIEW FULL FREE 3-STAGE MAST KZSM) HK10

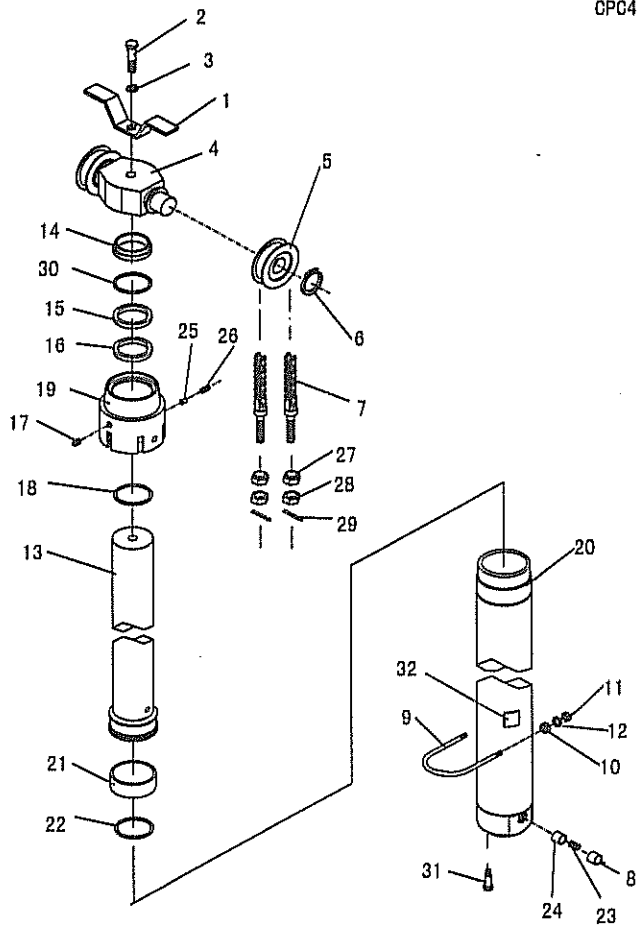
序号 Item No	图号 Part No	零部件名称 Description	件数 Q'ty	备注 Remark
01	D30C8-02051	Stopper 护板	1	
02	B0420-20080	Bolt 螺栓M20X1.5X80	1	GB5785-86
03	B5050-00020	Washer 垫圈20	1	GB93-87
04	D30C0-02061	Piston head 起升链轮座	1	
05	D01D8-40401	Seave 链轮	2	
06	B6152-00055	Snap ring 挡圈55	2	GB3452.1-86
07	HRD30C0808	Chain 链条总成	2	
08	D30C0-82441	Seat spring 弹簧座	1	
09	HRD30C8002	Bolt 螺栓	1	
10	B0520-12025	Bolt 螺栓M12X1.25X25	2	GB5783-86
11	D30C8-02001	Support 油缸固定板	1	
12	D30C8-02011	Rubber 橡胶垫	1	
13	HRD30C0810	Rod 活塞杆体	1	
14	D30C0-81001	Seal 防尘圈90	1	
15	D30C0-82331	Plate 限位垫	1	
16	D30C0-82341	Packing 密封圈90	1	
17	D30C0-82361	Cap 导向套	1	
18	Z6051-10303	O-ring O形圈103X3.55	1	GB3452.1-82
19	D30C0-82351	Cap 缸盖	1	
20	HRD30C0812	Cylinder 缸体	1	
21	D30C0-82471	Bushing 支承环	1	
22	D30C0-82481	Snap 挡圈110	1	
23	D01D8-42081	Spring 弹簧	1	
24	D30C0-82501	Sleeve 滑阀	1	
25	D30C0-82491	Ring 密封圈	1	
26	B3010-2P540	Pin 开口销2.5X40	2	GB91-86
27	B4230-00022	Nut 螺母M22X1.5	4	GB6171-86
28	D01D8-42291	Shim 垫圈	2	

CPQD40, 45, 50-R  
CPCD40, 45, 50-W  
CPCD40, 45, 50-L2  
CPCD40, 45, 50-WF  
CPC40-C



HK10 前起升油缸(三级全自由)/FRONT LIFT CYLINDER(WIDE VIEW FULL FREE 3-STAGE MAST KZSM) 图92/FIG92

CPQD40, 45, 50-R  
 CPCD40, 45, 50-W  
 CPCD40, 45, 50-L2  
 CPQD40, 45, 50-WF  
 CPC40-G



前缸选用件表 (Lift cylinder option table)

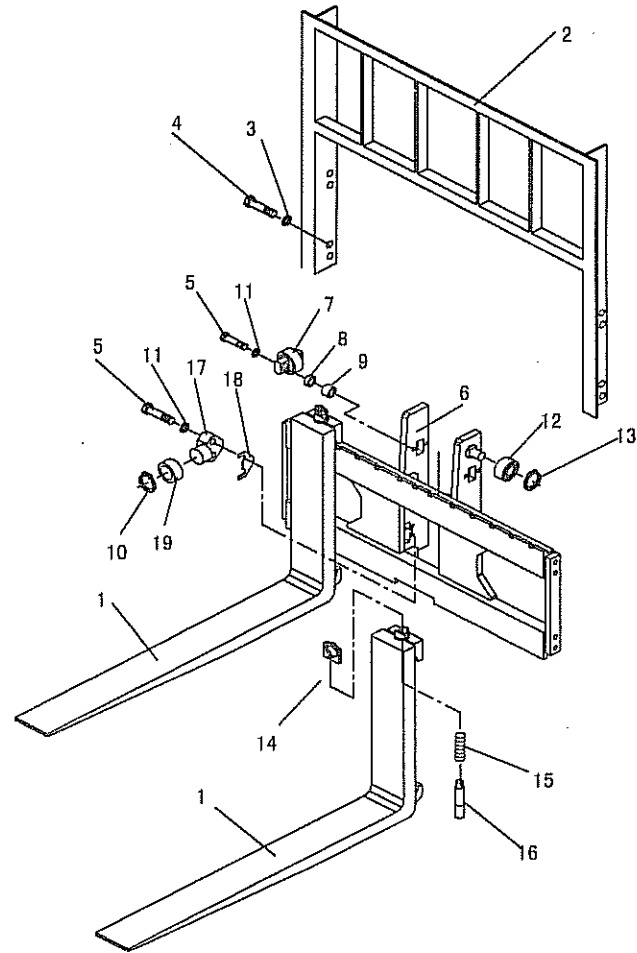
起升高度 Lift height	缸体 Cyl. body	活塞杆体 Rod. piston	链条总成 Chain	备注 Remark
3920	D30C0-81101	D30C0-80901	D30C0-80701	
4350	D30C0-81111	D30C0-80911	D30C0-80711	
4700	D30C0-81121	D30C0-80921	D30C0-80721	
4800	D30C0-81131	D30C0-80931	D30C0-80731	
5000	D30C0-81141	D30C0-80941	D30C0-80741	
5400	D30C0-81151	D30C0-80951	D30C0-80751	
6000	D30C0-81161	D30C0-80961	D30C0-80761	
4500	D30C0-81171	D30C0-80971	D30C0-80771	

HK

图93/F/G93 货叉与货叉架(三级全自由)/FORK & LIFT BRACKET(WIDE VIEW FULL FREE 3-STAGE MAST KZSM) HK11

序号 Item No	图号 Part No	零部件名称 Description	件数 Qty	备注 Remark
01	HRD01D8102	Fork	2	
02	D01D8-20201	Backrest	1	
03	B5050-00016	Washer	6	GB93-87
04	B0520-16035	Bolt	6	螺栓M16X1.5X35 GB5785-86
05	B0420-12045	Bolt	4	螺栓M12X1.25X65 GB5785-86
06	D30C0-90201	Lift Bracket	1	
07	D01D8-00501	Retaining roller	2	
08	HRD01D8003	Shim	4	
09	D01D8-02141	Plate	4	
10	B6152-00035	Snap ring	2	挡圈35 GB894.1-86
11	B5050-00012	Washer	4	挡圈12 GB93-87
12	D01D8-00301	End roller	4	主滚轮
13	B6152-00050	Snap ring	4	挡圈50 GB894.1-86
14	D20B8-02031	Hand	2	把手
15	D01D8-12011	Spring	2	弹簧
16	D01D8-12021	Pin	2	插销
17	D30C8-02101	Shaft	2	侧滚轮轴
18	HRD01D8002	Shim	2	调整垫片
19	180707K	Roller	2	滚轮

CPCD40, 45, 50-R  
CPCD40, 45, 50-W  
CPCD40, 45, 50-L2  
CPCD40, 45, 50-WF  
CPC40-C

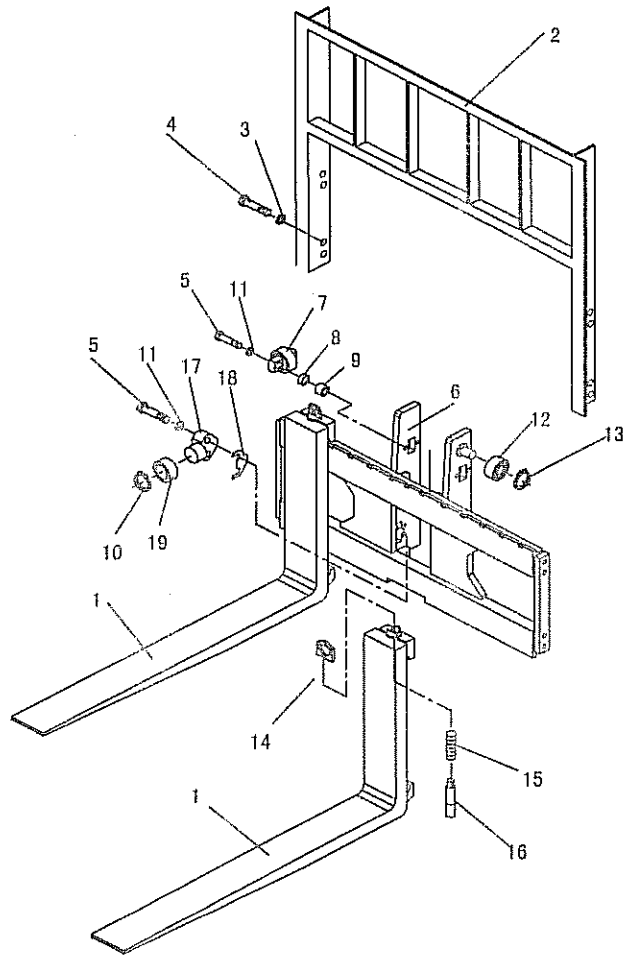


HK



HK11 货叉与货叉架(三级全自由)/FORK & LIFT BRACKET(WIDE VIEW FULL FREE 3-STAGE MAST KZSM) 图93/F 193

CPQD40, 45, 50-R  
 CPCD40, 45, 50-W  
 CPCD40, 45, 50-L2  
 CPCD40, 45, 50-WF  
 CPC40-C



货叉选用件表(Fork option parts)

货叉长度 Fork length	代号 Part number	备注 Remark
1070	D01D8-12061	
1150	D01D8-12071	
1200	D01D8-12081	
1220	D01D8-12091	
1370	D01D8-12101	
1500	D01D8-12111	
1520	D01D8-12121	
1600	D01D8-12131	
1670	D01D8-12141	
1800	D01D8-12151	
1820	D01D8-12161	
2000	D01D8-12171	
1400	D01D8-12181	

