

第四部分 车身系统目录

Part IV Body system contents

- | | | | |
|-------------------|-------------------|--------------------|------------------|
| Ⓐ CPCD40/45-XRG76 | Ⓑ CPCD50-XRXG76 | Ⓐ1 CPC40/45-XRG76 | Ⓑ1 CPC50-XRXG76 |
| Ⓒ CPCD40/45-XRG75 | Ⓓ CPCD50-XRXG75 | Ⓒ1 CPC40/45-XRG75 | Ⓓ1 CPC50-XRXG75 |
| Ⓔ CPCD40/45-XRW34 | Ⓕ CPCD50-XRXW34 | Ⓔ CPCD40/45-XRW35 | Ⓕ CPCD50-XRXW35 |
| Ⓘ CPCD40/45-XRW76 | Ⓝ CPCD50-XRXW76 | Ⓚ CPQYD40/45-XRW57 | Ⓛ CPQYD50-XRXW57 |
| Ⓜ CPCD40/45-XRG73 | Ⓜ1 CPC40/45-XRG73 | Ⓝ CPCD50-XRXG73 | Ⓝ1 CPC50-XRXG73 |
| Ⓞ CPCD40/45-XRG93 | Ⓞ CPCD50-XRG93 | | |

序号 Item	名称 Description	适用车型 Serial No.	页码 Page
图 1 Fig. 1	平衡重总成 Counterweight assy	全部车型 All models of truck	4-1
图 2 Fig. 2	标示 Nameplate	全部车型 All models of truck	4-3
图 3 Fig. 3	座椅总成 (1) Seat assy (1)	全部车型 All models of truck	4-9
图 4 Fig. 4	车身系统 Truck body system	全部车型 All models of truck	4-10
图 4-A Fig. 4-A	电瓶盒组件 Battery box assy	全部车型 All models of truck	4-11
图 5 Fig.5	仪表架总成 Instrument frame assy	全部车型 All models of truck	4-13
图 6 Fig. 6	机罩及底板总成 (一) Hood and floor board assy(I)	全部车型 All models of truck	4-15
图 7 Fig. 7	护顶架 Overhead guard	全部车型 All models of truck	4-18

图1 平衡重总成
Fig.1 Counter balance assy

全部车型
All models of truck

	序号 Item	物料码 Part NO.	名称 Description	数量 Qty	备注或适用车型 Remarks Or Serial NO.	原物料码 Original Part No.
	1	200100020471	平衡重 Counter balance	1	4.0t	XR410-010001-000
	1	200100020467		1	4.5t	XR460-010001-000
	1	200100020472		1	5.0t	XR510-010001-000
	2	200100070003	塞子 Plug	2		N163-010002-000
	3	200100110006	右密封条 Right seal strip	1		XR460-010004-000
	4		右支架组件 Right bracket assy	1	For CE	
	5	300010040169	螺栓 M8×16 Towing pin	4	For CE	G005783-008016-00
	6	300030010015	垫圈 8 Washer 8	6	For CE	G000093-000008-00
	7	300030040014	垫圈 8 Washer 8	4	For CE	G0097P1-000008-00
	8		左支架组件 Left bracket assy	1	For CE	
	9		平衡重网罩 Counter balance net cover	1	For CE	
	10	300030190008	垫圈 8 Washer 8	2	For CE	G000096-000008-00
	11	300010040173	螺栓 M8×20 Towing pin	2	For CE	G005783-008020-00
12	200100080684	锁销 Lock pin	1	For CE	XB450-010005-000	
13	200100050103	牵引销 Towing pin	1		XR460-011000-000	

图2 标示
Fig.2 Nameplate

全部车型
All models of truck

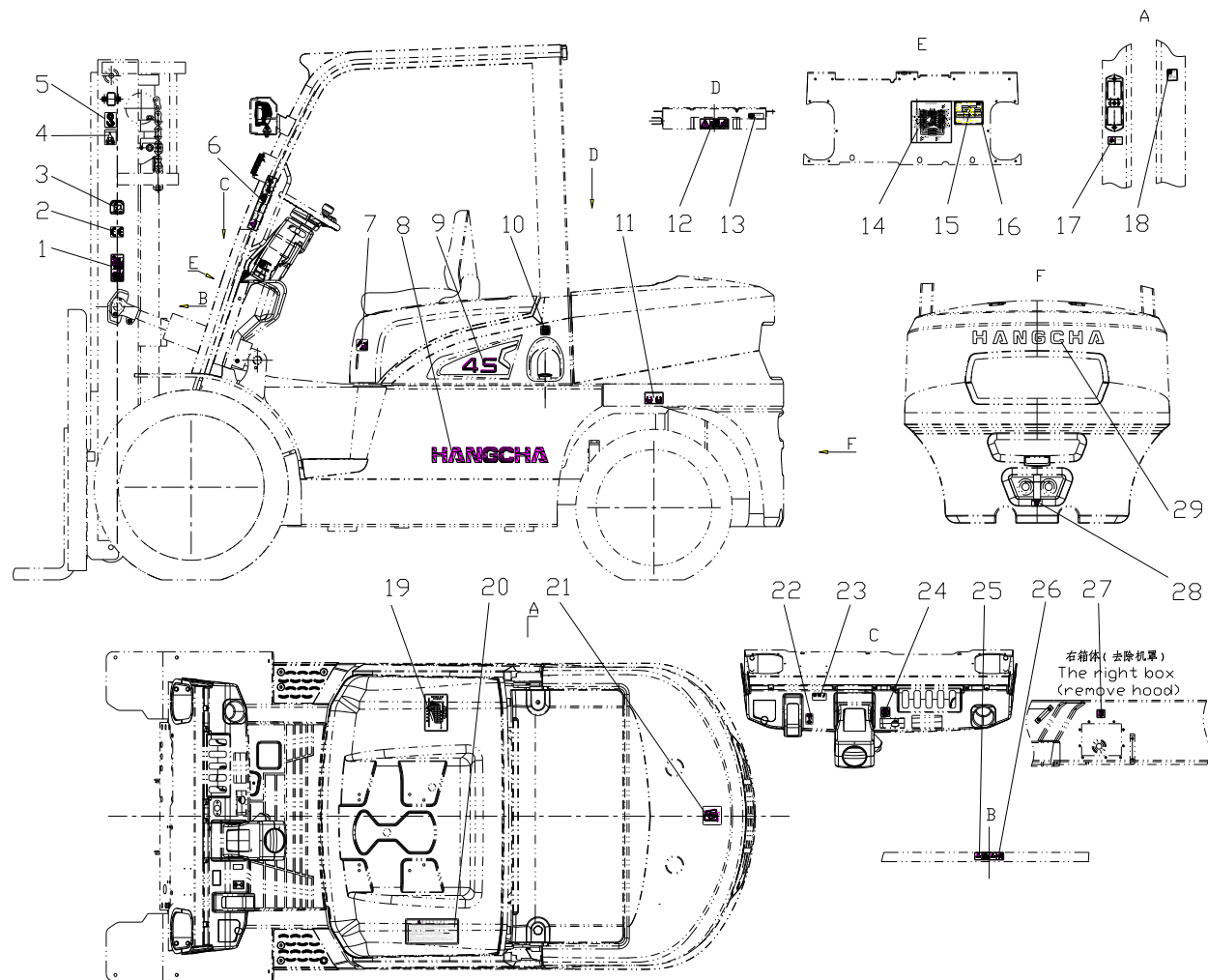


图2 标示
Fig.2 Nameplate

全部车型
All models of truck

序号 Item	代号 Part No.	名称 Description	数量 Qty	备注或适用车型 Remarks or Serial No.	原物料码 Original Part No.
1	200200100122	危险标签 Dangerous nameplate	2	中文	R960-020049-001
1	200200100092	门架警告标签 Door warning nameplate	2	English	NC9321-020008-000
2	200200170010	CE 标签 CE nameplate	2	For CE	R960-020012-001
3	200200150348	云智能标签 Intelligence nameplate	2	智能模块用	XR310-020009-000
4	200200150142	起吊标签 Lift nameplate	2	中文	R960-020047-001
4	200200150145	起吊点标签 Lift nameplate	2	English	NC9321-020022-000
5	200200150141	起吊标签 Lift nameplate	2	链条内置门架	R960-020035-001
6	200200100049	安全带标签 Safe belt nameplate	1		NC9321-020013-000
7	200200130002	机罩打开标签 Hood open nameplate	1		XF250-020014-000
8	200200050115	字样标签 Script nameplate	2	English	GR501-010016-000
8	200200160260	字样标签 Script nameplate	2	中文	XR460-020005-000
9	200200030596	左吨位标签 Left ton nameplate	1	4.0t	XR410-020003-000
9	200200030600	左吨位标签 Left ton nameplate	1	4.5t	XR460-020003-000
9	200200030597	左吨位标签 Left ton nameplate	1	5.0t	XR510-020003-000
9	200200030585	右吨位标签 Right ton nameplate	1	4.0t	XR410-020004-000

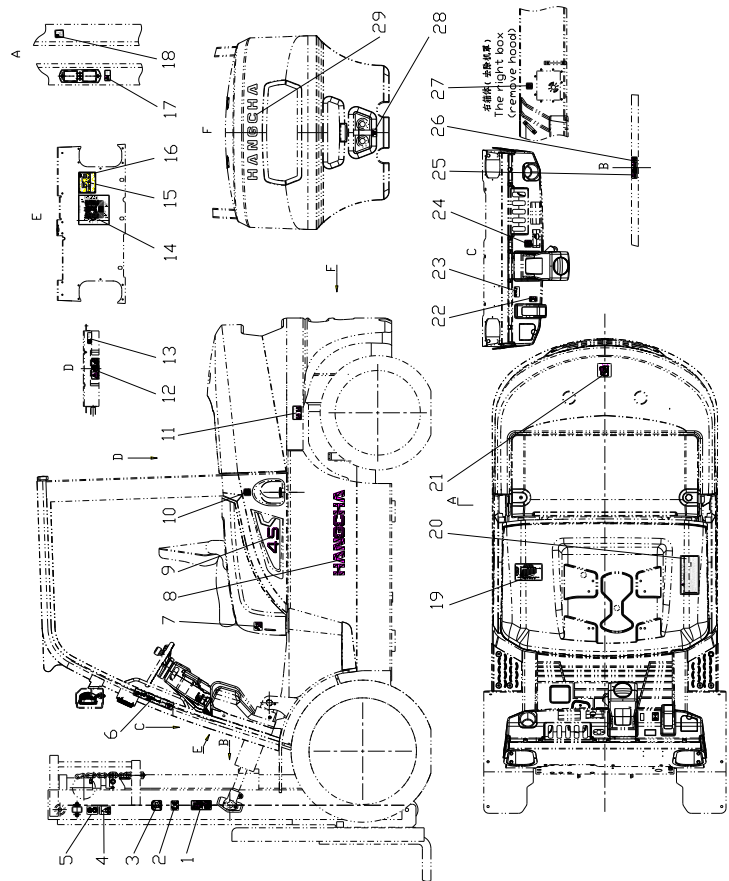


图2 标示
Fig.2 Nameplate

全部车型
All models of truck

	序号 Item	代号 Part No.	名称 Description	数量 Qty	备注或适用车型 Remarks or Serial No.	原物料码 Original Part No.
	9	200200030589	右吨位标签 Right ton nameplate	1	4.5t	XR460-020004-000
	9	200200030586	右吨位标签 Right ton nameplate	1	5.0t	XR510-020004-000
	10	200200120036	柴油标签 Diesel oil nameplate	1	柴油叉车 Diesel forklift	R960-020028-001
	10	200200120037	汽油标签 Gasoline nameplate	1	汽油机及双燃料叉车 Gasoline&CNG forklift	R960-020006-001
	11	200200090035	轮胎气压标签 Type pressure nameplate	1	中文	R450-020012-001
	11	200200090034	轮胎气压标签 Type pressure nameplate	1	English	R450-020013-001
	12	200200100108	切手危险标签 Hand cut risk label	1	中文	R960-020040-001
	12	200200100110	切手危险标签 Hand cut risk label	1	English	NC9321-020010-000
	13	200200150087	防冻液标签 Antifreeze nameplate	1	中文	R960-020016-001
	13	200200150088	防冻液标签 Antifreeze nameplate	1	English	R960-020017-001
	14	200200150346	润滑系统标签 Lubrication	1	中文	XR310-020020-000
	14	200200150347	润滑系统标签 Lubrication	1	English	XR310-020021-000
	15	200200062094	产品铭牌 Product nameplate	1	4.0t	XR410-020002-000
	15	200200062096	产品铭牌 Product nameplate	1	4.5t	XR460-020002-000
	15	200200062095	产品铭牌 Product nameplate	1	5.0t	XR510-020002-000

图2 标示
Fig.2 Nameplate

全部车型
All models of truck

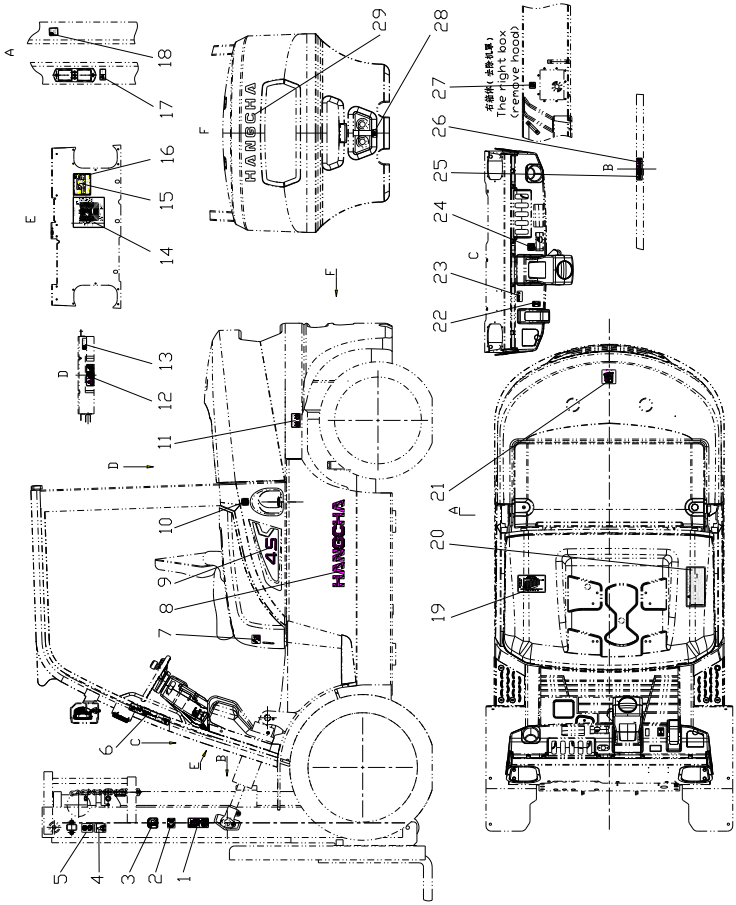
	序号 Item	代号 Part No.	名称 Description	数量 Qty	备注或适用车型 Remarks or Serial No.	原物料码 Original Part No.
	16	300080060001	铆钉 4x10 Rivet4x10	4		G012618-004010-00
	17	200200100133	严禁冲水标签 No swashing nameplate	1		NC9321-020019-000
	18	200200040020	噪音标示 Noise nameplate	1	CE	R450-020011-001
	19	200200080973	载荷曲线标牌 Load nameplate	1	4.0t 中文	R420-020005-001
	19	200200080974	载荷曲线标牌 Load nameplate	1	4.0t 中文	R420-020006-001
	19	200200080869	载荷曲线标牌 Load nameplate	1	4.0tEnglish	R420-020007-001
	19	200200080874	载荷曲线标牌 Load nameplate	1	4.0tEnglish	R420-020008-001
	19	200200080946	载荷曲线标牌 Load nameplate	1	4.5t 中文	R450-020006-001
	19	200200080875	载荷曲线标牌 Load nameplate	1	4.5t 中文	R450-020007-001
	19	200200080876	载荷曲线标牌 Load nameplate	1	4.5t English	R450-020008-001
	19	200200080947	载荷曲线标牌 Load nameplate	1	4.5t English	R450-020009-001
	19	200200080984	载荷曲线标牌 Load nameplate	1	5.0t 中文	R480-020005-001
	19	200200080985	载荷曲线标牌 Load nameplate	1	5.0t 中文	R480-020006-001
	19	200200080880	载荷曲线标牌 Load nameplate	1	5.0t English	R480-020007-001

图2 标示
Fig.2 Nameplate

全部车型
All models of truck

序号 Item	代号 Part No.	名称 Description	数量 Qty	备注或适用车型 Remarks or Serial No.	原物料码 Original Part No.
19	200200080877	载荷曲线标牌 Load nameplate	1	5.0t English	R480-020008-001
20	200200100084	警告标签 Warn nameplate	1	中文	R960-020029-001
20	200200100083	警告标签 Warn nameplate	1	English	R960-020009-001
21	200200150061	LPG 标签 LPG nameplate	1	中文	R960-020053-001
21	200200150060	LPG 标签 LPG nameplate	1	English	R960-020025-001
22	200200110062	操作标签 1 Operation nameplate 1	1	English (Hydraulic forklifts)	R960-020007-001
22	200200110065	操作标签 2 Operation nameplate 2	1	English (Mechanical forklift)	R960-020008-001
22	200200110063	操作标签 1 Operation nameplate 1	1	中文 (液力叉车)	R960-020039-001
22	200200110066	操作标签 2 Operation nameplate 2	1	中文 (机械叉车)	R960-020038-001
23	200200150147	手制动器标签 Brake nameplate	1		R960-020022-001
24	200200150094	紧停标签 Emergency Stop nameplate	1	紧急断电开关 Emergency power off switch	R960-020030-001
25	200200100117	危险标签 Dangerous nameplate	1	中文	R960-020015-001
25	200200100128	危险标签 Dangerous nameplate	1	English	NC9321-020012-000
26	200200100121	危险标签 Dangerous nameplate	1	中文	R960-020048-001
26	200200100087	门架夹手警告标签 Door frame nameplate	1	English	NC9321-020011-000

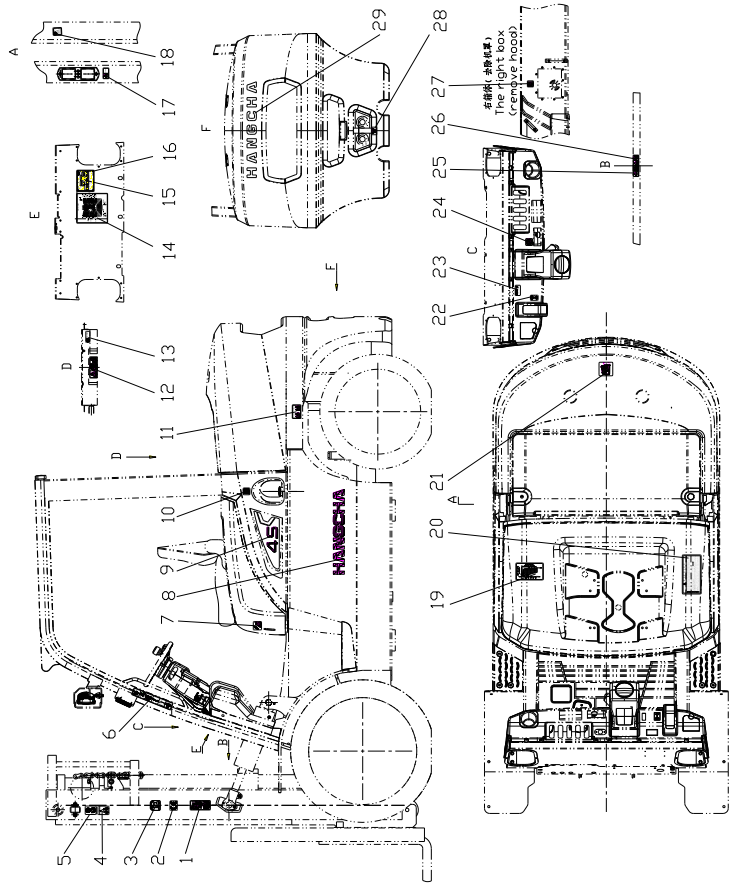
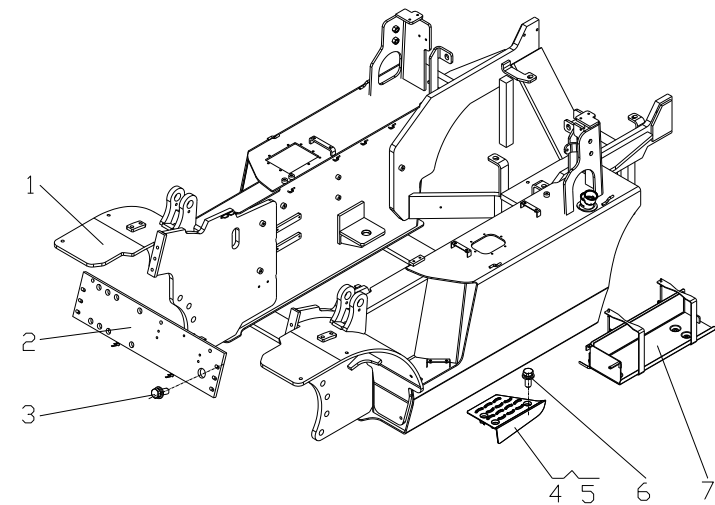


图4 车身系统
Fig.4 Truck body system

全部车型
All models of truck



序号 Item	物料码 Part NO.	名称 Description	数量 Qty	备注或适用车型 Remarks Or Serial NO.	原物料码 Original Part No.
1	204100001347	车架 Chassis	1	Ⓐ Ⓑ	XR465-410000-000
1	204100001509	车架 Chassis	1	Ⓐ1 Ⓑ1	XR455-410000-000
1	204100001230	车架 Chassis	1	Ⓒ Ⓓ	XR462-410000-000
1	204100001362	车架 Chassis	1	Ⓒ1 Ⓓ1	XR452-410000-000
1	204100001229	车架 Chassis	1	Ⓔ Ⓕ Ⓖ Ⓗ	XR463-410000-000
1	204100001721	车架 Chassis	1	Ⓘ Ⓙ	XR468-410000-000
1	204100001234	车架 Chassis	1	Ⓚ Ⓛ	XR464-410000-000
1	204100001232	车架 Chassis	1	Ⓜ Ⓝ	XR461-410000-000
1	200010040791	车架 Chassis		Ⓜ1 Ⓝ1	XR451-400000-000
1	204100001233	车架 Chassis		Ⓞ Ⓟ	XR460-410000-000
2	204001000093	横梁 Beam	1		XR460-401000-000
3	310010080023	螺栓组件 Bolt	6		A300-400100-000
4	204501010056	左踏板 Left pedal	1		XR460-450001-000
5	204501010053	右踏板 Right pedal	1		XR460-450002-000
6	300010220002	螺栓组合件 M8x25 Bolt M8x25	6		G907417-008025-00

图 4-A 电瓶盒组件
Fig.4-A Battery box assy

全部车型
All models of truck

序号 Item	物料码 Part NO.	名称 Description	数量 Qty	备注或适用车型 Remarks Or Serial NO.	原物料码 Original Part No.
A	204400000376	电瓶盒组件 Battery box assy	1	(A) (B) (A1) (B1) (C) (D) (C1) (D1) (I) (J) (O) (P) 包含 INC:1-8	XR460-440000-000
A	204400000375	电瓶盒组件 Battery box assy	1	(E) (F) (G) (H) 包含 INC:1-8	XR463-440000-000
A	204400000377	电瓶盒组件 Battery box assy	1	(K) (L) 包含 INC:1-8	XR464-440000-000
A	204400000374	电瓶盒组件 Battery box assy	1	(M) (M1) (N) (N1)	XR461-440000-000
1	204401000178	电瓶盒托架 Battery box bracket	1	(A) (B) (A1) (B1) (C) (D) (C1) (D1) (I) (J) (O) (P)	XR460-442000-000
1	204401000176	电瓶盒托架 Battery box bracket	1	(G) (H) (E) (F)	XR463-442000-000
1	204400110364	电瓶盒托架 Battery box bracket	1	(K) (L)	XR464-442000-000
1	204401000177	电瓶盒托架 Battery box bracket	1	(M) (M1) (N) (N1)	XR461-442000-000
2	310080060049	隔热垫 Heat insulating mattress	1	(A) (B) (A1) (B1) (C) (D) (C1) (D1) (I) (J) (G) (H) (E) (F) (O) (P)	A450-440002-001
2	310080060041	隔热垫 Heat insulating mattress	1	(K) (L) (M) (M1) (N) (N1)	XB450-440001-000
3	204400040012	拉杆 Pull rod	2	(A) (B) (A1) (B1) (C) (D) (C1) (D1) (I) (J) (G) (H) (E) (F) (O) (P)	NC9321-440001-000
3	204400040012	拉杆 Pull rod	1	(K) (L)	NC9321-440001-000

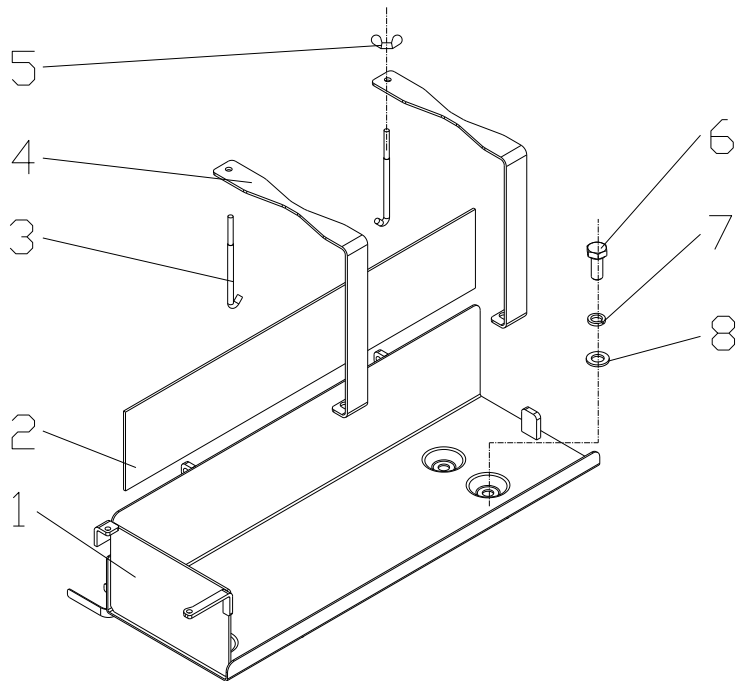


图 4-A 电瓶盒组件
Fig.4-A Battery box assy

全部车型
All models of truck

序号 Item	物料码 Part NO.	名称 Description	数量 Qty	备注或适用车型 Remarks Or Serial NO.	原物料码 Original Part No.
3	204400040004	拉杆 Pull rod	2	Ⓜ Ⓜ1 Ⓝ Ⓝ1	XF250-440001-000
4	204400030035	压板 Pressboard	2	Ⓐ Ⓑ Ⓐ1 Ⓑ1 Ⓒ Ⓓ Ⓒ1 Ⓓ1 Ⓘ Ⓙ Ⓙ Ⓕ Ⓖ Ⓗ Ⓔ Ⓕ Ⓞ Ⓟ	NC9321-443000-000
4	204400030035	压板 Pressboard	1	Ⓚ Ⓛ	NC9321-443000-000
4	204400030060	角钢	1	Ⓜ Ⓜ1 Ⓝ Ⓝ1	XB453-440001-000
5	300020240001	螺母 M6 Nut M6	2	Ⓐ Ⓑ Ⓐ1 Ⓑ1 Ⓒ Ⓓ Ⓒ1 Ⓓ1 Ⓘ Ⓙ Ⓙ Ⓕ Ⓖ Ⓗ Ⓔ Ⓕ Ⓜ Ⓜ1 Ⓝ Ⓝ1 Ⓞ Ⓟ	G000062-000006-00
5	300020240001	螺母 M6 Nut M6	1	Ⓚ Ⓛ	G000062-000006-00
6	300010040173	螺栓 M8x20 Bolt M8x20	4		G005783-008020-00
7	300030010015	垫圈8 Washer 8	4		G000093-000008-00
8	300030040014	垫圈8 Washer 8	4		G0097P1-000008-00

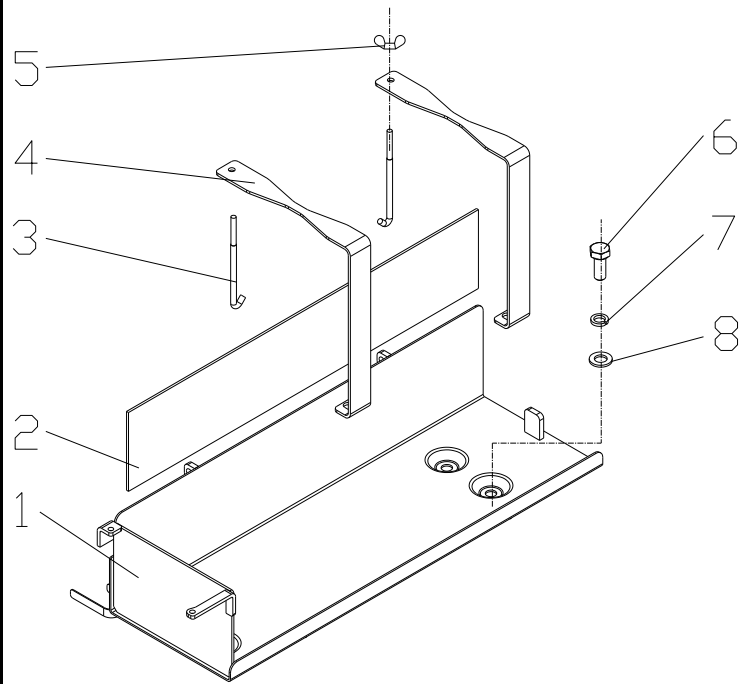


图5 仪表架总成
Fig.5 Instrument frame assy

全部车型
All models of truck

序号 Item	物料码 Part NO.	名称 Description	数量 Qty	备注或适用车型 Remarks Or Serial NO.	原物料码 Original Part No.
1	204201000175	仪表架 Instrument frame	1		XR460-421000-000
2	310070030007	螺钉组件 Screw	11	护顶架	N163-420100-000
2	310070030007	螺钉组件 Screw	5	驾驶室	N163-420100-000
3	204202020111	左护罩 Left cover	1		XR460-420201-000
4	204203000004	开关护罩 Switch cover	1		X700-430400-000
5	300040260005	螺钉组合件 M4×25 Screw M4×25	2		G907408-004025-00
6	300040260003	螺钉组合件 M5×16 Screw M5×16	3		G907408-005016-00
7	204202020113	左前罩 Left front cover	1		XR310-420202-000
8	204202020108	右前罩 Left front cover	1		XR460-420203-000
9	204201010134	右护罩支架 Right cover bracket	1		XR460-420100-000
10	204202020102	右护罩 Right cover	1	非紧急断电开关	XR460-420211-000
10	204202020136	右护罩 Right cover	1	紧急断电开关	XR460-420214-000
11	300010220013	螺栓组合件 M6×16 Bolt M6×16	6	驾驶室	G907417-006016-00
12	310010080022	螺栓组件 Bolt	7		N163-420500-000
13	204202010013	杯子 Glass	1	护顶架	XR460-420212-000

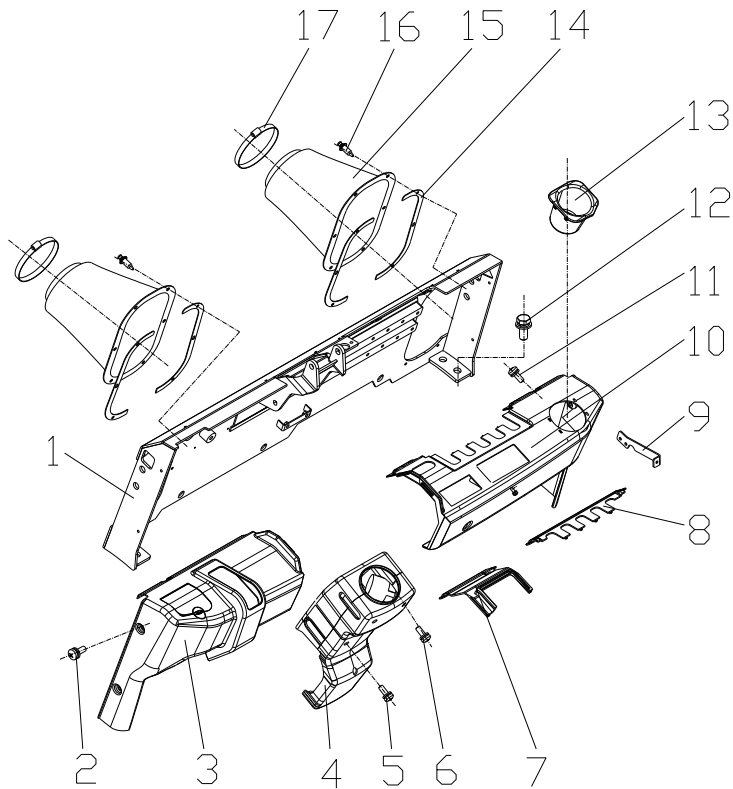


图6 机罩及底板总成(一)
Fig.6 Hood and floor board assy(I)

全部车型
All models of truck

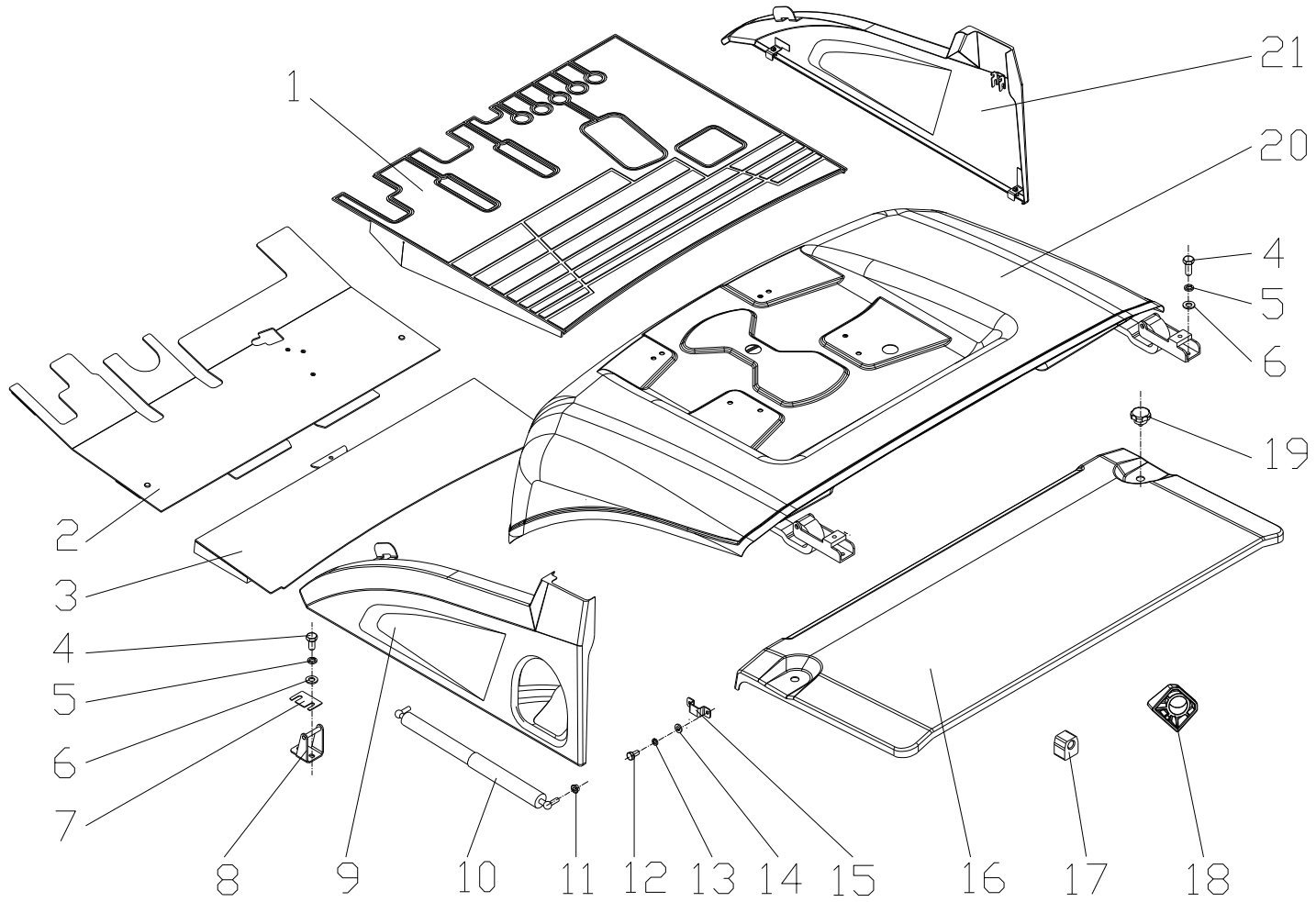


图6 机罩及底板总成(一)
Fig.6 Hood and floor board assy(I)

全部车型
All models of truck

序号 Item	物料码 Part NO.	名称 Description	数量 Qty	备注或适用车型 Remarks Or Serial NO.	原物料码 Original Part No.
1	204300020127	踏板垫 Pedal pad	1	Ⓐ Ⓑ Ⓒ Ⓓ Ⓔ Ⓕ Ⓖ Ⓝ Ⓞ Ⓟ	XR460-430001-000
1	204300020129	踏板垫 Pedal pad	1	Ⓔ Ⓕ Ⓖ Ⓗ Ⓘ Ⓝ	XR463-430001-000
1	204300020130	踏板垫 Pedal pad	1	Ⓐ1 Ⓑ1 Ⓒ1 Ⓓ1 Ⓜ1 Ⓝ1	XR452-430001-000
2	204302000303	前底板 Floor board	1	Ⓐ Ⓑ Ⓒ Ⓓ Ⓔ Ⓕ Ⓖ Ⓝ Ⓞ Ⓟ	XR460-431000-000
2	204302000302	前底板 Floor board	1	Ⓔ Ⓕ Ⓖ Ⓗ Ⓘ Ⓝ	XR463-431000-000
2	204302000327	前底板 Floor board	1	Ⓐ1 Ⓑ1 Ⓒ1 Ⓓ1 Ⓜ1 Ⓝ1	XR452-431000-000
3	204302000289	后底板 Bear board	1		XR460-432000-000
4	300010040173	螺栓 M8×20 Bolt M8×20	6		G005783-008020-00
5	300030010015	垫圈8 Washer 8	6		G000093-000008-00
6	300030040014	垫圈8 Washer 8	6		G0097P1-000008-00
7	204300130172	调整垫片 Adjusting washer	1		XF250-432002-000
8	204304040001	锁扣底座 Lock base	1		XF250-432200-000
8	204302000296	锁扣底座 Lock base	1	CE	XR460-434000-000
9	204302000296	机罩左侧板总成 Left side panel	1		XR460-434000-000
10	310120010061	气弹簧 Air spring	1		XF250-430003-G00

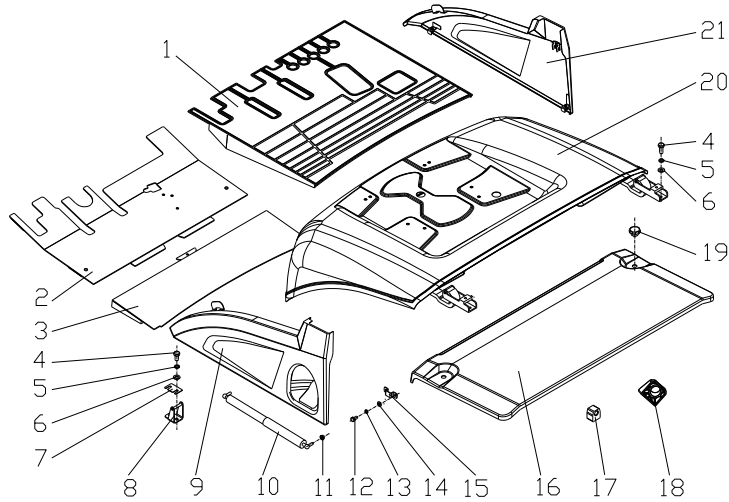


图6 机罩及底板总成(一)
Fig.6 Hood and floor board assy(I)

全部车型
All models of truck

序号 Item	物料码 Part NO.	名称 Description	数量 Qty	备注或适用车型 Remarks Or Serial NO.	原物料码 Original Part No.
	11	螺母 M8 Nut M8	2		G006177-000008-00
	12	螺栓 M6×12 Bolt M6×12	4		G005783-006012-00
	13	垫圈6 Washer 6	4		G000093-000006-00
	14	垫圈6 Washer 6	4		G0097P1-000006-00
	15	支架 Bracket	2		XR460-430004-000
	16	水箱盖板 Cover plate, rear	1	除外 Except (K) (L)	XR460-430100-000
	16	水箱盖板 Cover plate, rear	1	(K) (L)	XR464-430100-000
	17	垫块 Block	4		XR310-430004-000
	18	加油口密封块 Oil seal block	1		XR310-430003-000
	19	拧紧螺栓 Bolt	2		N163-430004-000
	20	机罩组件 Hood assy	1		XR460-433000-000
	21	机罩右侧板总成 Right side plate	1		XR460-435000-000

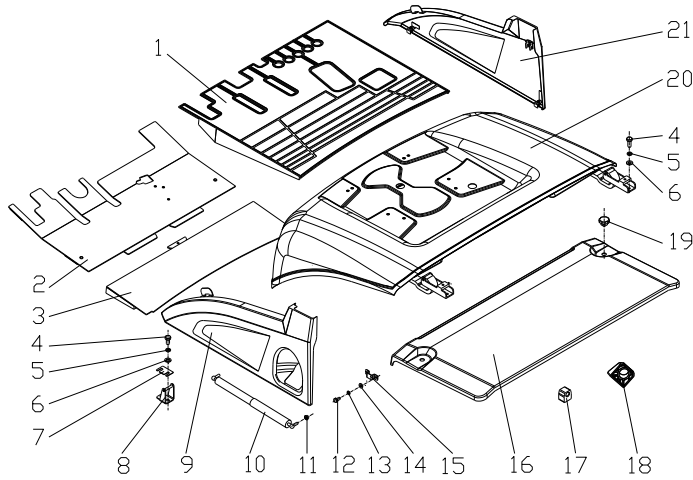


图7 护顶架
Fig.7 Overhead guard

全部车型
All models of truck

序号 Item	物料码 Part NO.	名称 Description	数量 Qty	备注或适用车型 Remarks Or Serial NO.	原物料码 Original Part No.
1	208101002317	左支撑腿总成 Left pillar assy	1		XR460-830000-000
2	208102000326	顶架 Overhead guard	1		XR460-820000-000
3	208100040005	观后视镜总成 Rear mirror assy	1		XF250-800005-G01
4	208101002276	右支撑腿总成 Right pillar	1		XR460-840000-000
5	204000130038	进气窗 Air intake window	2		X700-400008-000
6	300040070008	螺钉 M5×12 Bolt M5×12	4		G000818-005012-00
7	208100050004	橡胶塞 Rubber plug	4		N163-800004-000
8	310010080022	螺栓组件 Bolt	8		N163-420500-000
9	310010080024	螺栓组件 Bolt	8		A300-800100-000

