

第六部分 液压系统目录

Part VI Hydraulic system contents

- | | | | | |
|-------------------------------------|------------------------------------|-------------------------------------|------------------------------------|-------------------------------------|
| Ⓐ CPCD30/35-XRG71 | Ⓐ ³ CPC30/35/38-XRG71 | Ⓑ CPCD30/35/38-XRG72 | Ⓑ ² CPCD30/35/38-XRG72F | Ⓑ ³ CPC30/35/38-XRG72 |
| Ⓑ ⁴ CPCD30/35/38-XRG72J | Ⓑ ⁵ CPC30/35/38-XRG72J | Ⓒ CPCD30-XRW10 | Ⓒ ¹ CPCD30-XRW10B | Ⓒ ² CPCD30-XRW10F |
| Ⓒ ³ CPC30-XRW10 | Ⓓ ¹ CPCD30/35/38-XRW33B | Ⓓ ² CPCD30/35/38-XRW33F | Ⓔ CPCD30/35-XRW43 | Ⓕ CPCD30/35/38-XRW73 |
| Ⓔ ¹ CPCD30/35/38-XRW55B | Ⓔ ² CPCD30/35/38-XRW55F | Ⓔ ³ CPC30/35/38-XRW55 | Ⓕ ¹ CPCD30/35-XRW56 | Ⓕ ¹ CPCD30/35/38-XRW56B |
| Ⓕ ² CPCD30/35/38-XRW56F | Ⓖ ¹ CPQD30/35-XRW22 | Ⓖ ¹ CPQD30/35/38-XRW22B | Ⓖ ¹ CPQYD30/35/38-XRW22 | Ⓖ ¹ CPCD30/35/38-XRG2 |
| Ⓖ ² CPCD30/35/38-XRW92F | Ⓖ ² CPQD30/35/38-XRW22F | Ⓖ ² CPQYD30/35/38-XRW22F | Ⓖ ² CPYD30/35/38-XRW52F | Ⓑ ⁶ CPCD30/35/38-XRG72JF |
| Ⓖ ¹ CPQYD30/35/38-XRW22B | Ⓔ ² CPCD30/35-XRW43F | Ⓔ ¹ CPCD30/35/38-XRW43B | | |

序号 Item	名称 Description	适用车型 Serial No.	页码 Page
图 1 Fig. 1	油泵总成 Oil pump assy	Ⓐ Ⓐ ³ Ⓑ Ⓑ ² Ⓑ ³ Ⓑ ⁴ Ⓑ ⁵ Ⓒ Ⓔ ² Ⓑ ⁶	6-1
图 2 Fig. 2	油泵总成 Oil pump assy	Ⓔ ¹ Ⓔ ²	6-2
图 3 Fig. 3	油泵总成 Oil pump assy	Ⓒ Ⓒ ¹ Ⓒ ² Ⓒ ³ Ⓓ ¹ Ⓓ ² Ⓕ ¹ Ⓕ ¹ Ⓕ ² Ⓖ ¹ Ⓖ ¹ Ⓖ ² Ⓖ ² Ⓖ ² Ⓖ ² Ⓖ ¹	6-3
图 4 Fig. 4	油泵总成 Oil pump assy	Ⓔ ¹ Ⓔ ² Ⓔ ³	6-5
图 5 Fig. 5	转向管路 Steering oil pipe	Ⓖ ¹ Ⓖ ¹ Ⓖ ¹ Ⓖ ² Ⓖ ² Ⓖ ² Ⓖ ¹	6-7
图 6 Fig. 6	转向管路 Steering oil pipe	除外/except Ⓖ ¹ Ⓖ ¹ Ⓖ ¹ Ⓖ ² Ⓖ ² Ⓖ ² Ⓖ ¹ 全部车型 All model of truck	6-10
图 7 Fig. 7	回油滤油总成 Strainer assy	所有车型 All model of truck	6-12

图 1 油泵总成
Fig.1 Oil pump assy

Ⓐ CPCD30/35-XRG71 Ⓐ③ CPC30/35/38-XRG71 Ⓑ CPCD30/35/38-XRG72 Ⓑ② CPCD30/35-XRG72F
 Ⓑ③ CPC30/35/38-XRG72 Ⓑ④ CPCD30/35/38-XRG72J Ⓑ⑤ CPC30/35/38-XRG72J Ⓒ CPCD30/35/38-XRG2
 Ⓒ② CPCD30/35/38-XRW92F Ⓑ⑥
 CPCD30/35/38-XRG72JF

序号 Item	代号 Part No.	名称 Description	数量 Qty	备注或适用车型 Remarks or Serial No.	原物料码 Original Part No.
1	300010040011	螺栓 M10×30 Bolt M10×30	2		G005783-010030-00
2	300030010001	垫圈 10 Washer 10	3		G000093-000010-00
3	300030040002	垫圈 10 Washer 10	3		G0097P1-000010-00
4	206100070278	齿轮泵 Gear pump	1	Ⓒ	XR318-601100-000
4	206100070170	齿轮泵 Gear pump	1	除外/except Ⓒ	R305-601100-000
5	209990000518	双钢丝式环箍 44 Clamp 44	2		Q672-44-G00
6	310050020260	管接头 Pipe connector	1		30DHBW9-600001
7	300130010117	O 形密封圈 35×3.5 O-ring 35×3.5	1		G001235-003503P5-00
8	206300250153	油管总成 Oil pipe assy	1		XRF310-604000-000
9	201600020091	直通管接头 Pipe connector	1		30DH-600001
10	300130010134	O 形密封圈 24×2.4 O-ring 24×2.4	1		G001235-002402P4-00
11	206300071123	吸油管 Suction hose	1		R960-600001-001
12	300010040005	螺栓 M10×20 Bolt M10×20	1		G005783-010020-00
13	310040010103	管夹 Clamp	1		NC9321-600003-000
14	206400050020	衬套 Bush	1		NC9321-600002-000

图2 油泵总成
Fig.2 Pump assy

Ⓔ CPCD30/35-XRW43

Ⓔ
CPCD30/35/38-XRW43F

Ⓔ
CPCD30/35/38-XRW43B

序号 Item	物料码 Part No.	名称 Description	数量 Qty	备注或适用车型 Remarks or Serial No.	原物料码 Original Part No.
1	300030010001	垫圈 10 Washer 10	3		G000093-000010-00
2	300030040002	垫圈 10 Washer 10	3		G0097P1-000010-00
3	300010040012	螺栓 M10×30 Bolt M10×30	2		G005783-010030-01
4	206100070067	齿轮泵 Gear pump	1		XF250-601100-000
6	310050020269	管接头 Nipple-assy	1		XF250-611500-000
7	300130010116	O 形密封圈 34×3.5 O-ring 34×3.5	1		G001235-003403P5-00
8	310050020260	管接头 Connector	1		30DHBW9-600001
9	206300071148	吸油管 Suction pipe	1		R250-600001-000
10	209990000518	双钢丝式环箍 44 Clamp 44	2		Q672-44-G00
11	300010040005	螺栓 M10×20 Bolt M10×20	1		G005783-010020-00
12	310040010103	管夹 Clamp	1		NC9321-600003-000
13	206400050020	衬套 Bush	1		NC9321-600002-000
14	206300250155	油管总成 Oil pipe assy	1	Ⓔ Ⓔ	XR311-604000-000
14	206300250095	油管总成 Oil pipe assy	1	Ⓔ	XF3016-604000-000
15	201100120028	O 形密封圈 AS568-236 O-ring AS568-236	1		AS568-236-G00

图3 油泵总成
Fig.3 Oil pump assy

- | | | |
|-------------------------|-------------------------|------------------------|
| Ⓒ CPCD30-XRW10 | Ⓒ1 CPCD30/35-XRW10B | Ⓒ2 CPCD30-XRW10F |
| Ⓒ3 CPC30-XRW10 | Ⓓ1 CPCD30/35/38-XRW33B | Ⓓ2 CPCD30/35/38-XRW33F |
| Ⓗ CPCD30/35-XRW56 | Ⓗ1 CPCD30/35/38-XRW56B | Ⓗ2 CPCD30/35/38-XRW56F |
| Ⓘ CPQD30/35-XRW22 | Ⓘ1 CPQD30/35/38-XRW22B | Ⓙ CPQYD30/35/38-XRW22 |
| Ⓙ CPQD30/35/38-XRW22F | Ⓙ1 CPQYD30/35/38-XRW22B | Ⓚ2 CPYD30/35/38-XRW52F |
| Ⓚ1 CPQYD30/35/38-XRW22B | | |

序号 Item	物料码 Part No.	名称 Description	数量 Qty	备注或适用车型 Remarks or Serial No.	原物料码 Original Part No.
1	300010040012	螺栓 M10×30 Bolt M10×30	2		G005783-010030-01
2	300030010001	垫圈 10 Washer 10	3		G000093-000010-00
3	300030040002	垫圈 10 Washer 10	3		G0097P1-000010-00
4	206100070083	齿轮泵 Gear pump	1	Ⓘ Ⓙ Ⓘ1 Ⓙ2 Ⓚ2 Ⓚ1	XF251-601100-G00
4	206100070067	齿轮泵 Gear pump	1	Ⓓ1 Ⓓ2 Ⓗ Ⓗ1 Ⓗ2	XF250-601100-000
4	206100070067	齿轮泵 Gear pump	1	Ⓒ Ⓒ1 Ⓒ2 Ⓒ3 <2017.10.18	XF250-601100-000
4	206100070064	齿轮泵 Gear pump	1	Ⓒ Ⓒ1 Ⓒ2 Ⓒ3 ≧2017.10.18	N121-601300-000
5	209990000519	双钢丝式环箍 45 Clamp 45	2	<2017.06.23	Q672-45-G00
5	209990000518	双钢丝式环箍 44 Clamp 44	2	≧2017.06.23	Q672-44-G00
6	310050020260	管接头 Pipe connector	1		30DHBW9-600001
7	300130010116	O形密封圈 34×3.5 O-ring 34×3.5	1		G001235-003403P5-00
8	209990004525	油管总成 Oil pipe assy	1	Ⓘ Ⓙ	XR314-604000-000
8	206300250074	油管总成 Oil pipe assy	1	Ⓓ2 Ⓗ Ⓗ2 <2017.10.18	XB250-604000-000
8	206300250073	油管总成 Oil pipe assy	1	Ⓒ Ⓒ1 Ⓒ2 Ⓒ3 Ⓓ1 Ⓗ1 Ⓘ1 <2017.10.18	XB300-604000-000

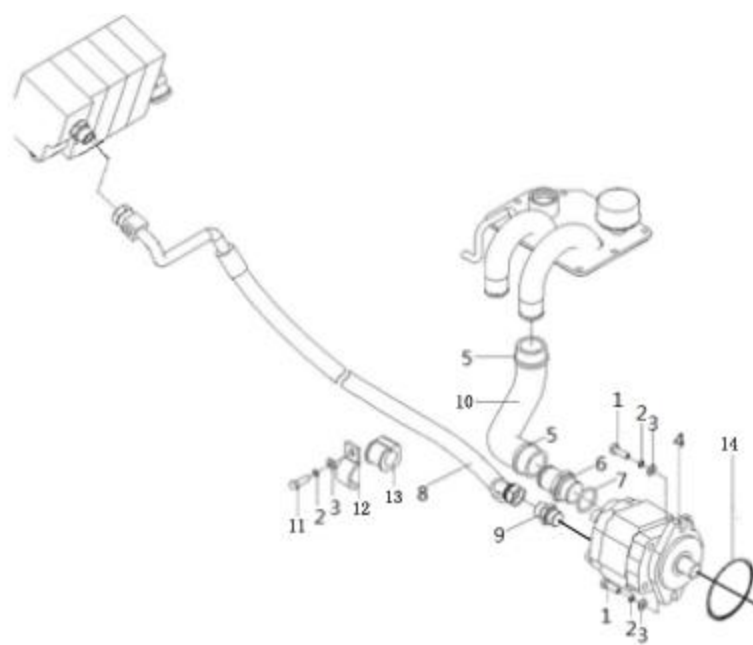


图3 油泵总成
Fig.3 Oil pump assy

- | | | |
|------------------------|-------------------------|------------------------|
| Ⓒ CPCD30-XRW10 | Ⓒ1 CPCD30/35-XRW10B | Ⓒ2 CPCD30-XRW10F |
| Ⓒ3 CPC30-XRW10 | Ⓓ1 CPCD30/35/38-XRW33B | Ⓓ2 CPCD30/35/38-XRW33F |
| Ⓗ CPCD30/35-XRW56 | Ⓗ1 CPCD30/35/38-XRW56B | Ⓗ2 CPCD30/35/38-XRW56F |
| Ⓘ CPQD30/35-XRW22 | Ⓘ1 CPQD30/35/38-XRW22B | Ⓙ CPQYD30/35/38-XRW22 |
| Ⓙ CPQD30/35/38-XRW22F | Ⓙ1 CPQYD30/35/38-XRW22B | Ⓙ2 CPYD30/35/38-XRW52F |
| Ⓚ CPQYD30/35/38-XRW22B | | |

序号 Item	物料码 Part No.	名称 Description	数量 Qty	备注或适用车型 Remarks or Serial No.	原物料码 Original Part No.
8	206300250153	油管总成 Oil pipe assy	1	Ⓓ2 Ⓗ Ⓗ2 Ⓘ1 Ⓙ2 Ⓚ2 Ⓚ2 Ⓚ1 ≥2017.10.18	XRF310-604000-000
8	206300250156	油管总成 Oil pipe assy	1	Ⓒ Ⓒ1 Ⓒ2 Ⓒ3 Ⓓ1 Ⓗ1 ≥2017.10.18	XRB319-604000-000
9	310050020269	管接头 Nipple-assy	1		XF250-611500-000
10	206300071102	吸油管 Suction pipe	1	Ⓒ Ⓒ1 Ⓒ2 Ⓒ3	NC847-600001-000
10	206300071339	吸油管 Suction pipe	1	Ⓘ Ⓙ	XR312-600001-001
10	206300071104	吸油管 Suction pipe	1	Ⓗ Ⓘ1 Ⓗ1 Ⓗ2 Ⓓ1 Ⓓ2 Ⓙ2 Ⓚ2 Ⓚ1	NC9321-600001-000
11	300010040005	螺栓 M10x20 Bolt M10x20	1		G005783-010020-00
12	310040010103	管夹 Clamp	1		NC9321-600003-000
13	206400050020	衬套 Bush	1		NC9321-600002-000
14	201100120028	O形密封圈 AS568-236 O-ring AS568-236	1	除外/except Ⓒ Ⓒ1 Ⓒ2 Ⓒ3	AS568-236-G00
14	209250060001	垫片 Gasket	1	Ⓒ Ⓒ1 Ⓒ2 Ⓒ3	80DH-751001

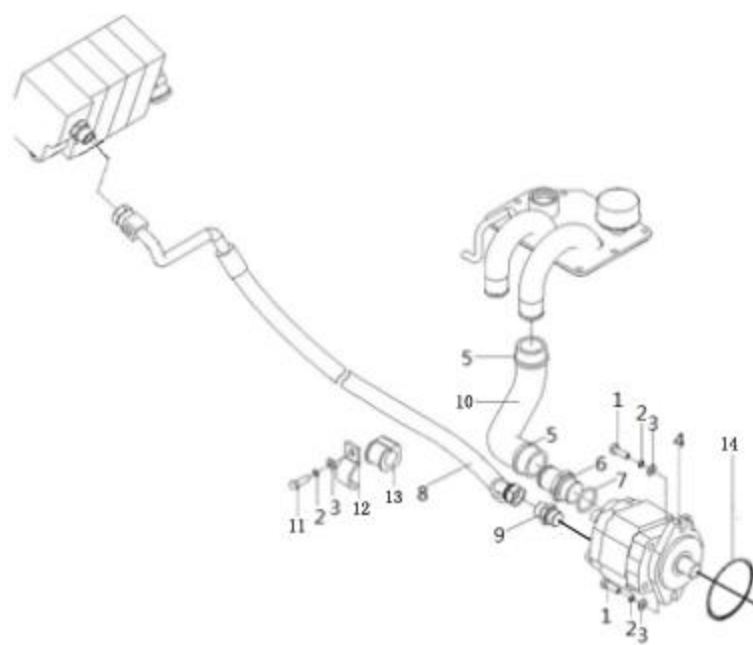


图4 油泵总成
Fig.4 Oil pump assy

Ⓔ CPCD30/35/38-XRW55B

Ⓔ CPCD30/35/38-XRW55F

Ⓔ CPC30/35/38-XRW55

序号 Item	物料码 Part No.	名称 Description	数量 Qty	备注或适用车型 Remarks or Serial No.	原物料码 Original Part No.
1	300010040012	螺栓 M10×30 Bolt M10×30	2		G005783-010030-01
2	300030010001	垫圈 10 Washer 10	2		G000093-000010-00
3	300030040002	垫圈 10 Washer 10	2		G0097P1-000010-00
4	206100070170	齿轮泵 Gear pump	1		R305-601100-000
5	310050020269	管接头 Pipe connector	1		XF250-611500-000
A1	310050020269	管接头 Nipple-assy		INC/包含:6,7	XF250-611500-000
6	310050020708	接头体 Connector	1		XF250-611501-000
7	300130010134	O形密封圈 24×2.4 O-ring 24×2.4	1		G001235-002402P4-00
8	206300250148	油管总成 Oil pipe assy	1		XRF3110-604000-000
9	206300290202	管接头 Connector	1		R305-601200-000
10	206300071345	吸油管 Suction pipe	1		XRF3110-600001-000
11	300010040005	螺栓 M10×20 Bolt M10×20	1		G005783-010020-00
12	300030010001	垫圈 10 Washer 10	1		G000093-000010-00
13	300030040002	垫圈 10 Washer 10	1		G0097P1-000010-00
14	310040010103	管夹 Clamp	1		NC9321-600003-000

图 5 转向管路
Fig. 5 Steering oil pipe

① CPQD30/35-XRW22
② CPQYD30/35/38-XRW22F

⑪ CPQD30/35/38-XRW22B
⑫ CPYD30/35/38-XRW52F

① CPQYD30/35/38-XRW22
① CPQYD30/35/38-XRW22B

⑫ CPQD30/35/38-XRW22F

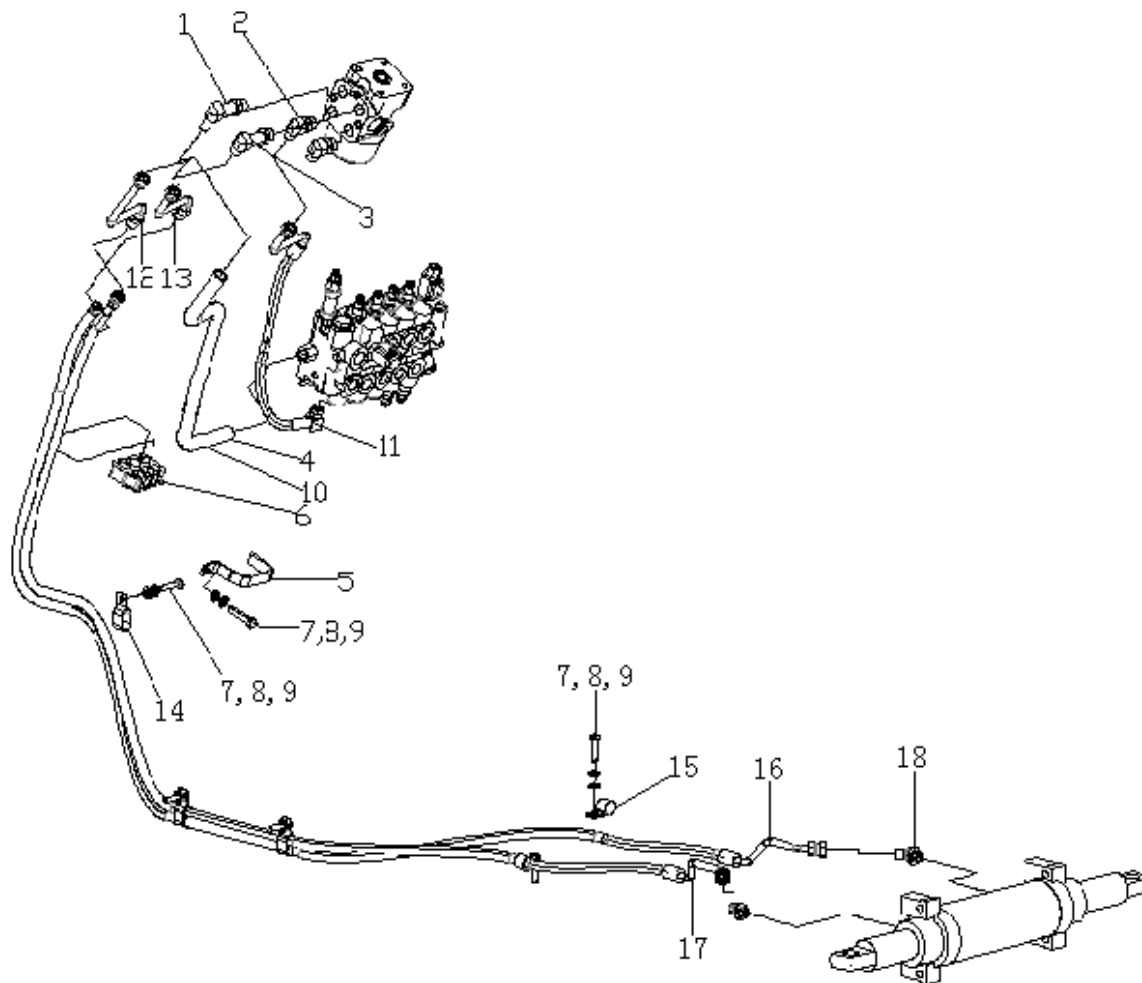


图 5 转向管路
Fig. 5 Steering oil pipe

① CPQD30/35-XRW22 ⑪ CPQD30/35/38-XRW22B ① CPQYD30/35/38-XRW22 ⑫ CPQD30/35/38-XRW22F
② CPQYD30/35/38-XRW22F ⑫ CPYD30/35/38-XRW52F ① CPQYD30/35/38-XRW22B

序号 Item	物料码 Part No.	名称 Description	数量 Qty	备注或适用车型 Remarks or Serial No.	原物料码 Original Part No.
1	206300220125	回油接头 Connector	1		XR310-630700-000
2	310050030014	90° 度管接头 Connector	2		20RH-600300-000
3	310050030043	90° 度管接头 Connector	1		XR310-630600-000
4	209990000835	蜗杆传动式软管环箍 18 Clamp 18	2		Q675-18-G00
5	206500250166	压板 Clamp	1		XR310-630002-000
6	206300050033	橡胶固定块 Rubber block	1		X700-630005-000
7	300030010015	垫圈 8 Washer 8	6		G000093-000008-00
8	300030040014	垫圈 8 Washer 8	6		G0097P1-000008-00
9	300010040169	螺栓 M8×16 Bolt M8×16	6		G005783-008016-00
10	206300070764	低压胶管 Low pressure hose	1		XR310-630003-000
11	206300082298	胶管总成 Rubber pipe assy	1		XR310-630500-000
12	206500140022	硬管总成 Rubber pipe assy	1		XR310-630100-001
13	206500140023	硬管总成 Rubber pipe assy	1		XR310-630200-001
14	310060020011	抱箍 Clamp	3		GR501-630001-000
15	310040010114	管夹 Clamp	2		MB254-600005-000

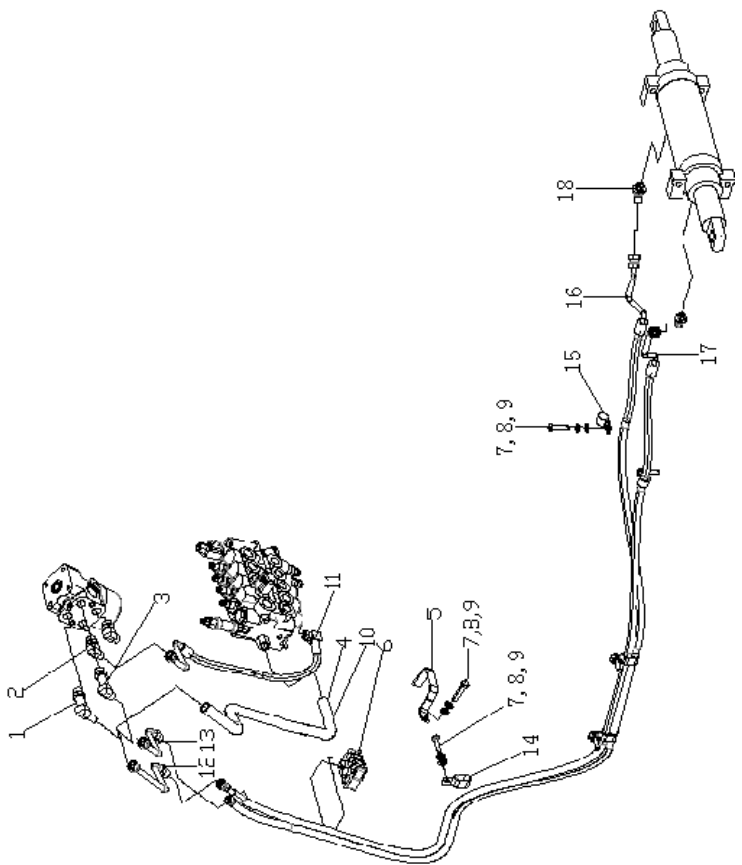
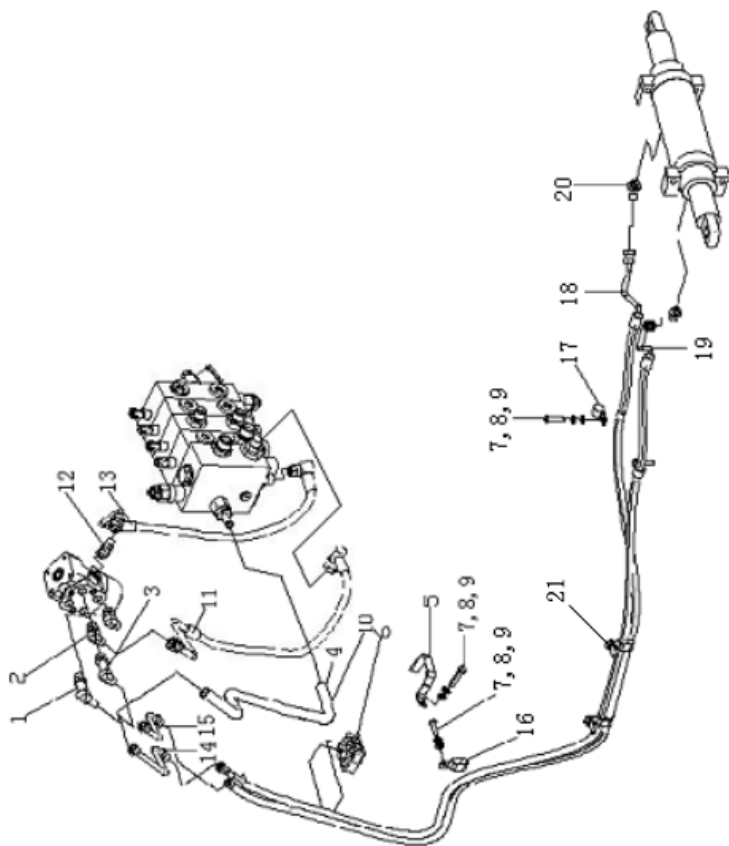


图6 转向管路
Fig. 6 Steering oil pipe

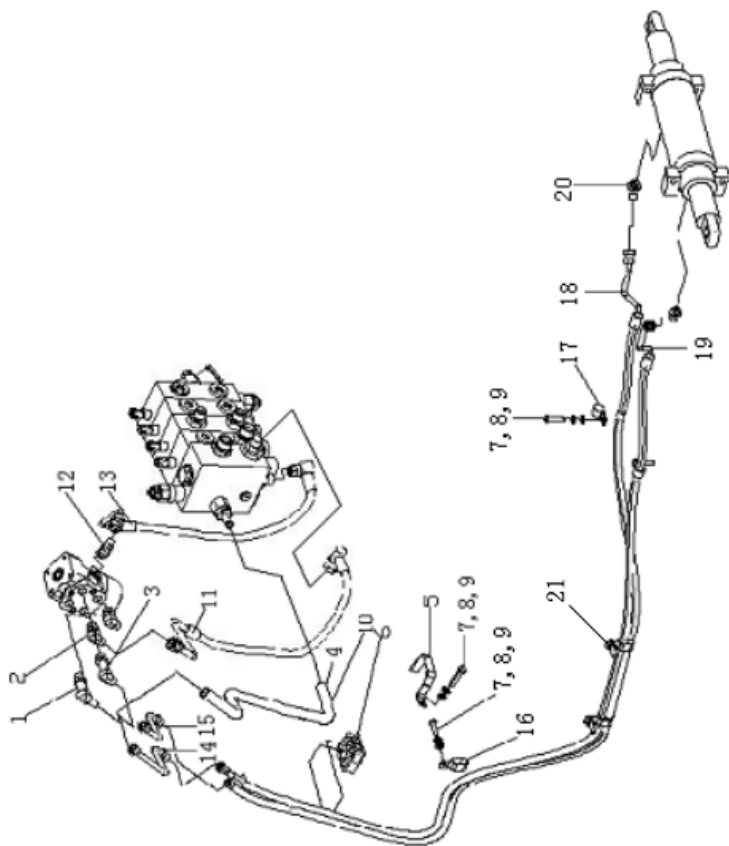
除外/except ① ⑪ ⑫ ⑬ ⑭ ⑮
全部车型 All model of truck



序号 Item	物料码 Part No.	名称 Description	数量 Qty	备注或适用车型 Remarks or Serial No.	原物料码 Original Part No.
1	206300220125	回油接头 Connector	1		XR310-630700-000
2	310050030014	90° 度管接头 Connector	2		20RH-600300-000
3	310050030043	90° 度管接头 Connector	1		XR310-630600-000
4	209990000835	蜗杆传动式软管环箍 18 Clamp 18	2		Q675-18-G00
5	206500250166	压板 Clamp	1		XR310-630002-000
6	206300050033	橡胶固定块 Rubber block	1		X700-630005-000
7	300030010015	垫圈 8 Washer 8	6		G000093-000008-00
8	300030040014	垫圈 8 Washer 8	6		G0097P1-000008-00
9	300010040170	螺栓 M8×16 Bolt M8×16	6		G005783-008016-01
10	206300070764	低压胶管 Low pressure hose	1		XR310-630003-000
11	206300082298	胶管总成 Rubber pipe assy	1		XR310-630500-000
12	310050030017	90° 管接头 Connector	1		XF250-630500-000
13	206300082567	胶管总成 Rubber pipe assy	1		XRF310-630800-000
14	206500140022	硬管总成 Rubber pipe assy	1		XR310-630100-001
15	206500140023	硬管总成 Rubber pipe assy	1		XR310-630200-001

图6 转向管路
Fig. 6 Steering oil pipe

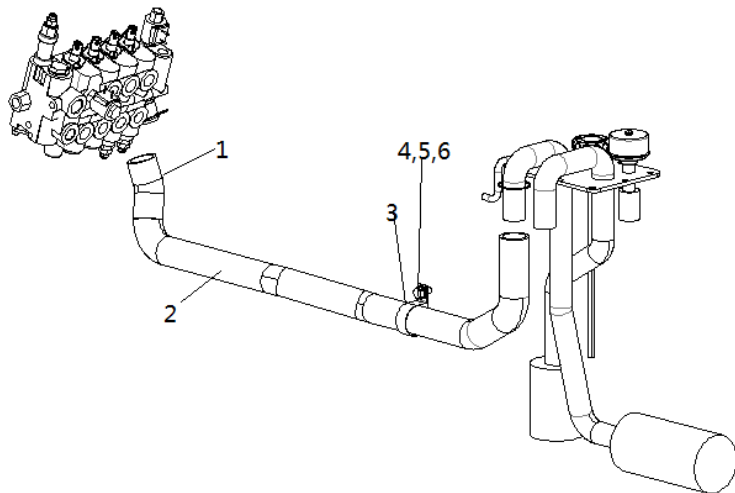
除外/except ① ⑪ ⑫ ⑬ ⑭ ⑮
全部车型 All model of truck



序号 Item	物料码 Part No.	名称 Description	数量 Qty	备注或适用车型 Remarks or Serial No.	原物料码 Original Part No.
16	310060020011	抱箍 Clamp	2		GR501-630001-000
17	310040010114	管夹 Clamp	2		MB254-600005-000
18	206300082360	转向胶管总成 Rubber pipe assy	1		XF250-630200-001
19	206300082357	转向胶管总成 Rubber pipe assy	1		XF250-630100-001
20	310050020916	直通接头 Connector	2		XF150-630900-000
21	310040010148	抱箍 Clamp	1		N163-120002-000

图7 回油滤油总成
Fig.7 Strainer assy

全部车型
All model of truck



序号 Item	物料码 Part No.	名称 Description	数量 Qty	备注或适用车型 Remarks or Serial No.	原物料码 Original Part No.
1	209990000518	双钢丝式环箍 44 Clamp 44	1		Q672-44-G00
2	206300070935	回油管 Hose	1	用于二联阀 For 2 Sec. valve	XR310-602001-000
2	206300070936	回油管 Hose		用于三联阀 For 3 Sec. valve	XR310-602002-000
2	206300070937	回油管 Hose	1	用于四联阀 For 4 Sec. valve	XR310-602003-000
3	310040010092	管夹 Clamp	1		XF250-602002-000
4	300010040169	螺栓 M8×16 Bolt M8×16	1		G005783-008016-00
5	300030010015	垫圈 8 Washer 8	1		G000093-000008-00
6	300030040014	垫圈 8 Washer 8	1		G0097P1-000008-00

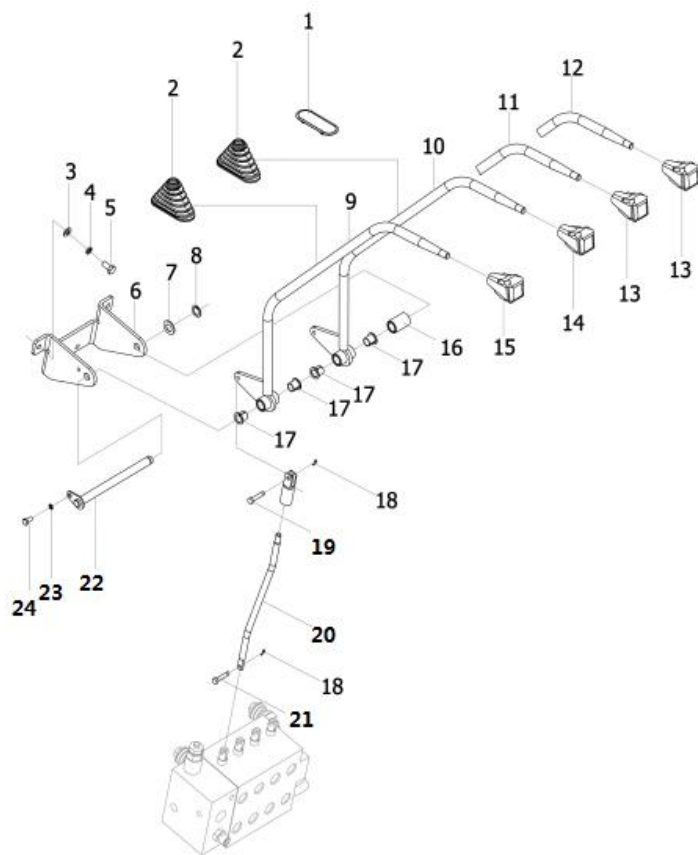
图 8 液压油箱附件
Fig. 8 Hydraulic tank accessory

全部车型
All model of truck

	序号 Item	物料码 Part No.	名称 Description	数量 Qty	备注或适用车型 Remarks or Serial No.	原物料码 Original Part No.
	1	206500050066	液压油箱盖总成 Cap assy	1		A300-603300-001
	2	206500110011	空气过滤器 Breather filter	1		A300-603200-000
	3	300010040170	螺栓 M8×16 Bolt M8×16	8		G005783-008016-01
	4	300030140012	垫圈 8 Washer 8	8		J000982-000008-00
	5	206500050201	盖板 Cover plate	1	206500040158	XRB311-603100-000
	6	206500130085	密封垫 Seal pad	1		XR310-603001-000
	7	206500020061	吸油滤油器总成 Suction filter	1		A300-603010-000
	8	206500020073	回油滤油器总成 Filter assy	1		MB250-603130-000
	9	203400040002	螺塞 Plug	1		N163-340008-000
	10	300030140007	垫圈 24 Washer 24	1		J000982-000024-00
	11	203400020001	磁铁 Ring magnetic iron	1		N163-340002-000

图9 多路阀操纵
Fig. 9 Multi-way valve control

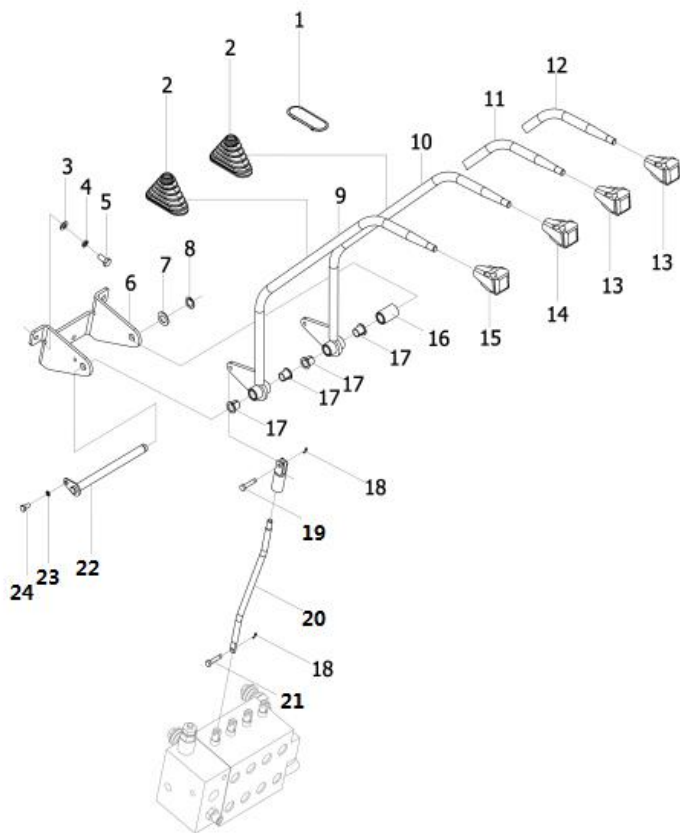
Ⓟ CPC30/35/38-XRG72-GW



序号 Item	物料码 Part No.	名称 Description	数量 Qty	备注或适用车型 Remarks or Serial No.	原物料码 Original Part No.
1	206400140009	塞子 Plug	3	Qty :3 SEC 2, 4 SEC 1,5 SEC 0	XR310-610004-000
2	206400090012	护套 Sleeve	2	Qty :3 SEC 3, 4 SEC 4 ,5 SEC 5	XR310-610005-000
3	300030040014	垫圈 8 Washer 8	4		G0097P1-000008-00
4	300030010015	垫圈 8 Washer 8	4		G000093-000008-00
5	300010040173	螺栓 8×20 Bolt M8×20	4		G005783-008020-00
6	206400190017	支架 Bracket	1		XF250-612001-000
7	206100160005	调整垫 Adjustment washer	1	第四联阀用 For 4th SEC	JS160-610010-000
8	300060030004	挡圈 12 Snap ring 12	1	仅四联阀用 For 4th SEC	G0894P1-000012-00
9	206400160165	多路阀手柄杆 1 Multi-way valve handle 1	1		XR310-612200-002
10	206400160167	多路阀手柄杆 2 Multi-way valve handle 2	1		XR310-612300-002
11	206400160168	多路阀手柄杆 3 Multi-way valve handle 3	1	第三联阀用 For 3rd SEC	XR310-612400-002
12	206400160166	多路阀手柄杆 4 Multi-way valve handle 4	1	第四联阀用 For 4th SEC	XR310-612500-002
13	206400040015	属具手把 Knob,attachment	1	3 Sec. valve 数量/Qty 1 4 Sec. valve 数量/Qty 2	N163-610003-000
14	206400040013	倾斜手把 Tilting knob	1		N163-610002-000
15	206400040011	起升手把 Lifting knob	1		N163-610001-000

图9 多路阀操纵
Fig. 9 Multi-way valve control

Ⓟ CPC30/35/38-XRG72-GW



序号 Item	物料码 Part No.	名称 Description	数量 Qty	备注或适用车型 Remarks or Serial No.	原物料码 Original Part No.
16	206400200004	轴环 Shaft collar	1	仅二联阀用 Only for 2 SEC	N163-612002-000
17	206400050008	衬套 Bush	4	三联 6, 3 SEC 6 四联 8, 4 SEC 8	N163-612001-000
18	300050010017	销 2×16 Pin 2×16	2	Qty :3 SEC 9, 4 SEC 12,5 SEC 15	G000091-002016-00
19	300050040012	销轴 6×22 Pin shaft 6×22	2	三联 3, 3 SEC 3, 四联 4, 4 SEC 4	G000882-006022-00
20	206400100247	连杆 Connector rod	2	3 Sec. valve 数量/Qty 3 4 Sec. valve 数量/Qty 4	XR310-612600-000
21	206400240005	销轴 Pin shaft	2	Qty :3 SEC 3, 4 SEC 4, 5 SEC 5	N163-610008-000
22	206400240004	销轴 Pin shaft	1	仅四联阀用 For 4 SEC	N163-612800-000
23	300030010014	垫圈 6 Washer 6	1		G000093-000006-00
24	300010040146	螺栓 M6×12 Bolt M6×12	1		G005783-006012-01

图 10-1 多路阀总成 ≥2017-10-15
Fig.10-1 Multi-way valve assy

① CPQD30/35-XRW22 ⑪ CPQD30/35/38-XRW22B ① CPQYD30/35/38-XRW22 ② CPQD30/35/38-XRW22F
② CPQYD30/35/38-XRW22F ② CPYD30/35/38-XRW52F ① CPQYD30/35/38-XRW22B

序号 Item	物料码 Part No.	名称 Description	数量 Qty	备注或适用车型 Remarks or Serial No.	原物料码 Original Part No.
1	300010050005	螺栓 M10×1.25×40 Bolt M10×1.25×40	3		G005785-010040-00
2	300030040002	垫圈 10 Washer10	3		G0097P1-000010-00
3	300030010001	垫圈 10 Washer10	3		G000093-000010-00
4	206100040002	缓冲垫 Cushion	6		R450-610001-000
5	206400180037	套管 Sleeve	1		XR310-611001-000
6	206300290259	管接头总成 Connector assy	1	INC/包含:5,6	A300-611400-000
7	300130010092	O 形密封圈 18×2.4 O-ring 18×2.4	1		G001235-001802P4-00
8	300130010134	O 形密封圈 24×2.4 O-ring 24×2.4	1		G001235-002402P4-00
9	310050020269	管接头 Connector	1	INC/包含:8,9	XF250-611500-000
10	300130010089	O 形密封圈 22×2.4 O-ring22×2.4	1		G001235-002202P4-00
11	310050020272	管接头 Connector	1	INC/包含:10,11	XF250-611800-000
12	300130010089	O 形密封圈 22×2.4 O-ring22×2.4	2		G001235-002202P4-00
13	310050020273	管接头 Connector	2	INC/包含:12,13	XF250-611900-000
14	206200010227	二联多路阀 2 Sec. valve	1		N163-611100-002
15	206200010245	三联多路阀 3 Sec. valve	1		N163-611200-002

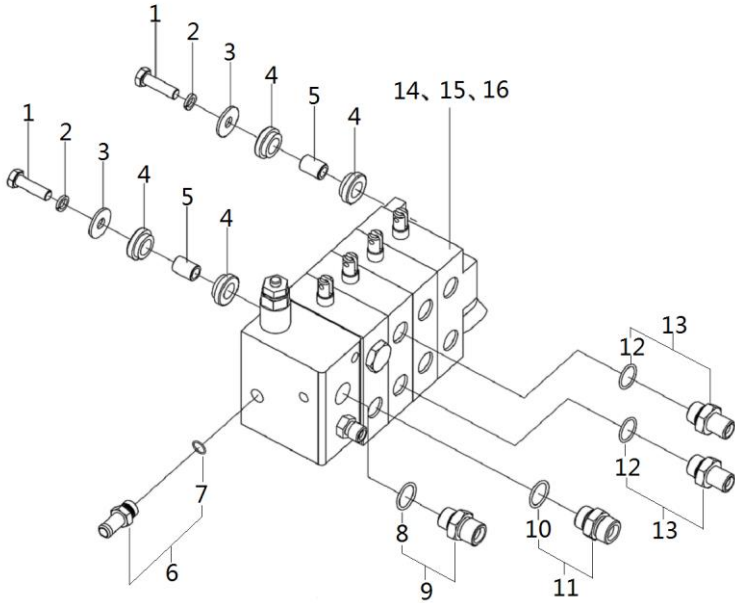


图 10-1 多路阀总成 ≥2017-10-15
Fig.10-1 Multi-way valve assy

① CPQD30/35-XRW22 ⑪ CPQD30/35/38-XRW22B ① CPQYD30/35/38-XRW22 ⑫ CPQD30/35/38-XRW22F
② CPQYD30/35/38-XRW52F ① CPQYD30/35/38-XRW22B

图 10-1 多路阀总成 Fig.10-1 Multi-way valve assy	序号 Item	物料码 Part No.	名称 Description	数量 Qty	备注或适用车型 Remarks or Serial No.	原物料码 Original Part No.	
	16	206200010249	四联多路阀 4 Sec. valve	1		N163-611300-002	

图 10-2 多路阀总成 ≥2017-10-15
Fig.10-2 Multi-way valve assy

除外/except ① ⑪ ⑫ ⑯ ⑰ ⑱
全部车型 All model of truck

序号 Item	物料码 Part No.	名称 Description	数量 Qty	备注或适用车型 Remarks or Serial No.	原物料码 Original Part No.
1	300010050005	螺栓 M10×1.25×40 Bolt M10×1.25×40	3		G005785-010040-00
2	300030040002	垫圈 10 Washer10	3		G0097P1-000010-00
3	300030010001	垫圈 10 Washer10	3		G000093-000010-00
4	206100040002	缓冲垫 Cushion	6		R450-610001-000
5	206400180037	套管 Sleeve	1		XR310-611001-000
6	206300290259	管接头总成 Connector assy	1	INC/包含:5,6	A300-611400-000
7	300130010092	O 形密封圈 18×2.4 O-ring 18×2.4	1		G001235-001802P4-00
8	300130010077	O 形密封圈 14×2.4 O-ring 14×2.4	1		G001235-001402P4-00
9	310050020271	管接头 Connector	1	INC/包含:8,9	XF250-611700-000
10	300130010134	O 形密封圈 24×2.4 O-ring 24×2.4	1		G001235-002402P4-00
11	310050020269	管接头 Connector	1	INC/包含:10,11	XF250-611500-000
12	300130010089	O 形密封圈 22×2.4 O-ring22×2.4	1		G001235-002202P4-00
13	310050020272	管接头 Connector	1	INC/包含:12,13	XF250-611800-000
14	300130010089	O 形密封圈 22×2.4 O-ring22×2.4	2		G001235-002202P4-00
15	310050020273	管接头 Connector	2	INC/包含:14,15	XF250-611900-000

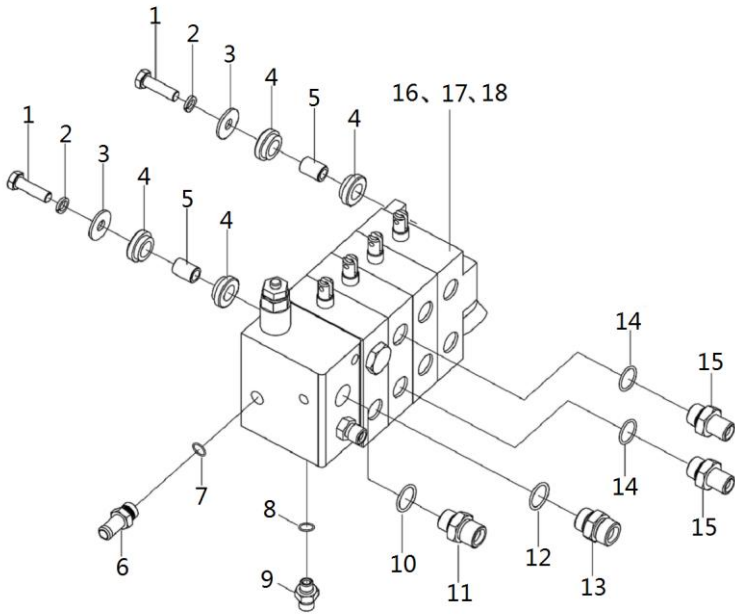


图 10-2 多路阀总成 ≥2017-10-15
Fig.10-2 Multi-way valve assy

除外/except ① ⑪ ⑫ ⑫ ⑫
全部车型 All model of truck

序号 Item	物料码 Part No.	名称 Description	数量 Qty	备注或适用车型 Remarks or Serial No.	原物料码 Original Part No.
	16	二联多路阀 2 Sec. valve	1	1.8t-3.5t	XRF310-611102-W00
	17	三联多路阀 3 Sec. valve	1	1.8t-3.5t	XRF310-611202-W00
	18	四联多路阀 4 Sec. valve	1	1.8t-3.5t	XRF310-611302-W00

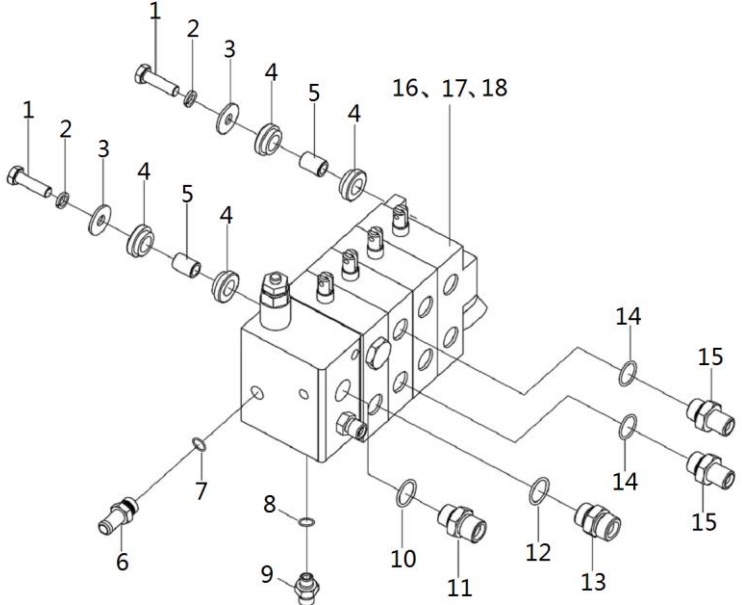


图 11-1 多路阀总成 <2017-10-15
Fig.11-1 Multi-way valve assy

- | | | | |
|------------------------|-----------------------|----------------------|------------------------|
| Ⓐ CPCD30/35-XRG71 | Ⓐ③ CPC30/35/38-XRG71 | Ⓑ CPCD30/35/38-XRG72 | Ⓑ③ CPC30/35/38-XRG72 |
| Ⓑ④ CPCD30/35/38-XRG72J | Ⓑ⑤ CPC30/35/38-XRG72J | Ⓒ CPCD30-XRW10 | Ⓒ② CPC30-XRW10 |
| Ⓒ CPCD30/35-XRW43 | Ⓒ④ CPCD30/35-XRW56 | Ⓓ CPQD30/35-XRW22 | Ⓓ① CPQD30/35/38-XRW22B |
| Ⓓ① CPQYD30/35/38-XRW22 | Ⓓ② CPCD30/35/38-XRG2 | Ⓓ③ CPC30/35/38-XRW55 | |

序号 Item	物料码 Part No.	名称 Description	数量 Qty	备注或适用车型 Remarks or Serial No.	原物料码 Original Part No.
1	300010050005	螺栓 M10×1.25×40 Bolt M10×1.25×40	1		G005785-010040-00
2	300030040002	垫圈 10 Washer10	3		G0097P1-000010-00
3	300030010001	垫圈 10 Washer10	3		G000093-000010-00
4	300010060009	螺栓 M10×1.25×30 Bolt M10×1.25×30	2		G005786-010030-00
5	310050020321	管接头 Connector	1	INC/包含:5,6	A300-611401-000
6	300130010092	O 型密封圈 18×2.4 O-ring 18×2.4	1		G001235-001802P4-00
7	300130010134	O 形密封圈 24×2.4 O-ring24×2.4	1		G001235-002402P4-00
8	310050020269	管接头 Connector	1	INC/包含:7,8	XF250-611500-000
9	300130010089	O 形密封圈 22×2.4 O-ring22×2.4	1		G001235-002202P4-00
10	310050020272	管接头 Connector	1	INC/包含:9,10	XF250-611800-000
11	206200010227	二联多路阀 2 Sec. valve	1		N163-611100-002
12	206200010245	三联多路阀 3 Sec. valve	1		N163-611200-002
13	206200010249	四联多路阀 4 Sec. valve	1		N163-611300-002
14	300130010089	O 形密封圈 22×2.4 O-ring22×2.4	2		G001235-002202P4-00
15	310050020273	管接头 Connector	2	INC/包含:14,15	XF250-611900-000

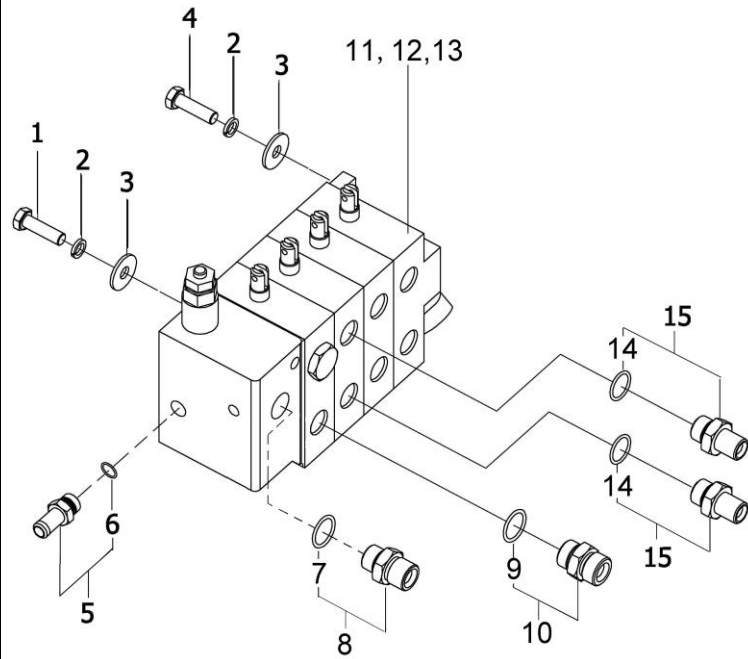


图 11-2 多路阀总成 <2017-10-15
Fig.11-2 Multi-way valve assy

Ⓔ CPCD30/35/38-XRG72F
CPCD30/35/38-XRW33B
Ⓒ CPCD30/35/38-XRW55F
Ⓕ CPCD30/35/38-XRW73

Ⓓ1

Ⓒ1 CPCD30-XRW10B
Ⓓ2 CPCD30/35/38-XRW33F
Ⓖ11 CPCD30/35/38-XRW56B
Ⓔ2 CPCD30/35-XRW43F

Ⓒ2 CPCD30-XRW10F
Ⓒ1 CPCD30/35/38-XRW55B
Ⓖ2 CPCD30/35/38-XRW56F
Ⓔ1 CPCD30/35/38-XRW43B

序号 Item	物料码 Part No.	名称 Description	数量 Qty	备注或适用车型 Remarks or Serial No.	原物料码 Original Part No.
1	300010060007	螺栓 M10×1.25×25 Bolt M10×1.25×25	1		G005786-010025-00
2	300030040002	垫圈 10 Washer10	3		G0097P1-000010-00
3	300030010001	垫圈 10 Washer10	3		G000093-000010-00
4	300010060009	螺栓 M10×1.25×30 Bolt M10×1.25×30	2		G005786-010030-00
5	300130010092	O 型密封圈 18×2.4 O-ring 18×2.4	1		G001235-001802P4-00
6	206300290259	管接头总成 Connector assy	1	INC/包含:5,6	A300-611400-000
7	300130010077	O 形密封圈 14×2.4 O-ring 14×2.4	1		G001235-001402P4-00
8	310050020271	管接头 Connector	1	INC/包含:7,8	XF250-611700-000
9	300130010134	O 形密封圈 24×2.4 O-ring 24×2.4	1		G001235-002402P4-00
10	310050020269	管接头 Connector	1	INC/包含:9,10	XF250-611500-000
11	300130010089	O 形密封圈 22×2.4 O-ring22×2.4	1		G001235-002202P4-00
12	310050020272	管接头 Connector	1	INC/包含:11,12	XF250-611800-000
13	206200010377	二联多路阀 2 Sec. valve	1		XRF310-611100-000
14	206200010375	三联多路阀 3 Sec. valve	1		XRF310-611300-000
15	206200010249	四联多路阀 4 Sec. valve	1		N163-611300-002

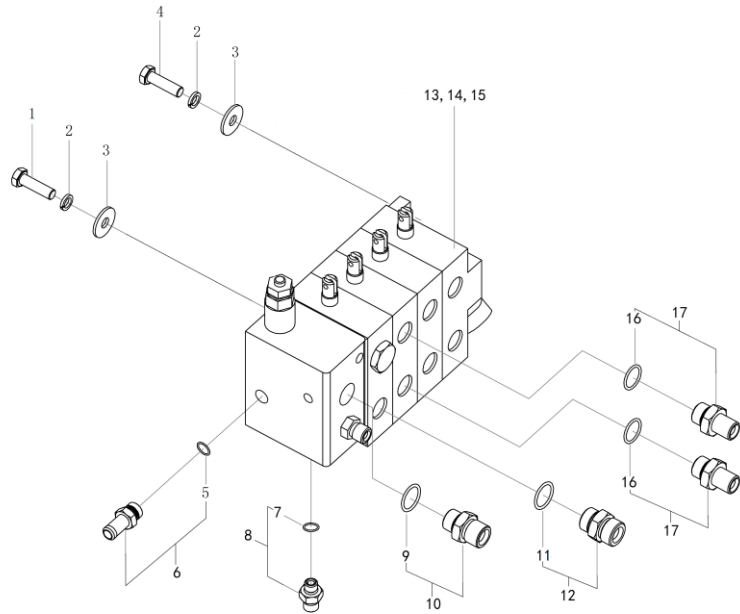


图 12 倾斜管路
Fig. 12 Tilting oil pipe

全部车型
All models of truck

序号 Item	物料码 Part No.	名称 Description	数量 Qty	备注或适用车型 Remarks or Serial No.	原物料码 Original Part No.
A1	206300290013	90° 管接头 Elbow	4	包含/INC:1-4	N163-620800-000
1	319990010162	接头体 Connector	4		N163-620801-W00
2	206300130005	锁紧螺母 Locking nut	4		N163-620802-W00
3	206300010007	挡圈 Snap ring	4		N163-620803-W00
4	206300020007	O 形密封圈 P11 O-ring P11	4		JISB2401-P11-G00
5	206300082292	胶管总成 Rubber pipe assy	2	<2018-09-04	XR310-620300-000
5	206300083152	胶管总成 Rubber pipe assy	2	≥ 2018-09-04	XR310-620300-001
6	206300082293	胶管总成 Rubber pipe assy	2	<2018-09-04	XR310-620400-000
6	206300083151	胶管总成 Rubber pipe assy	2	≥ 2018-09-04	XR310-620400-001
7	206300050004	固定块 Fixed block	1		N163-620002-000
8	206400220022	压板 Clamp	1		N163-620001-000
9	300030040014	垫圈 8 Washer 8	2		G0097P1-000008-00
10	300030010015	垫圈 8 Washer 8	2		G000093-000008-00
11	300010040169	螺栓 M8×16 Bolt M8×16	2		G005783-008016-00
12	206300100103	倾斜油管 Tilting oil pipe	1	<2017.11.21	XR310-620100-000

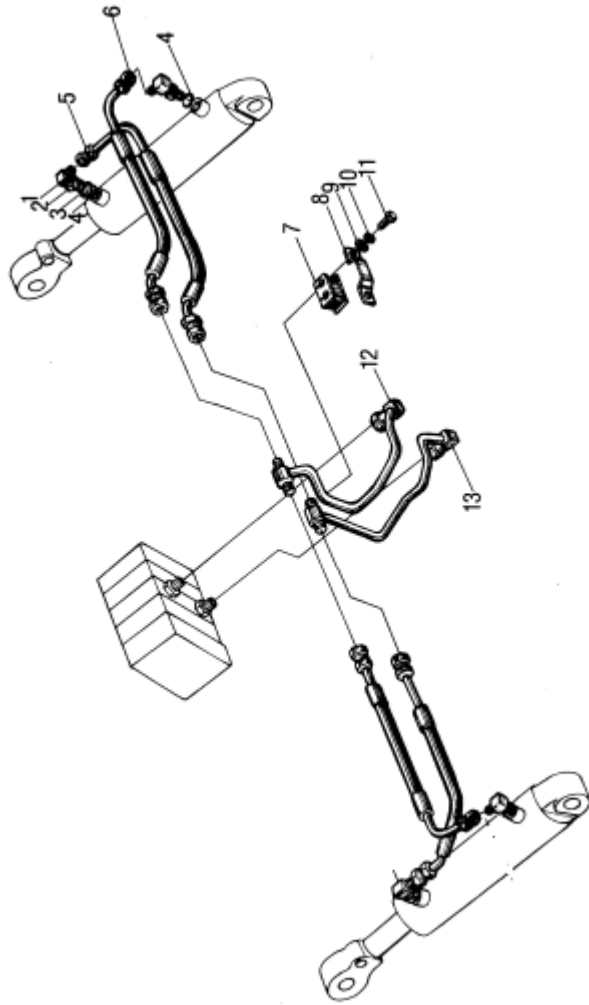


图 13 油泵总成
Fig.13 Oil pump assy

Ⓕ CPCD30/35/38-XRW73

序号 Item	物料码 Part No.	名称 Description	数量 Qty	备注或适用车型 Remarks or Serial No.	原物料码 Original Part No.
1	300010040011	螺栓 M10×30 Bolt M10×30	2		G005783-010030-00
2	300030010001	垫圈 10 Washer 10	2		G000093-000010-00
3	300030040002	垫圈 10 Washer 10	2		G0097P1-000010-00
4	206100070061	齿轮泵 Gear pump	1		N152-601100-000
5	209990000518	双钢丝式环箍 44 Clamp 44	2		Q672-44-G00
A1	310050020322	管接头 Pipe connector	1	INC:6, 7	XR312-601200-000
6	310050020739	接头体 Connector body	1		XR312-601201-000
7	206300020009	O 形密封圈 P18 O-ring P18	1		JISB2401-P18-G00
A2	310050020293	管接头 Pipe connector	1	INC:8, 9	XF3012-601100-000
8	206300020011	O 形密封圈 P29 O-ring P29	1		JISB2401-P29-G00
9	310050020723	接头体 Connector body	1		XF3012-601101-000
10	206300071121	吸油管 Suction pipe	1		R932-600001-001
11	300010040005	螺栓 M10×20 Bolt M10×20	1		G005783-010020-00
12	310040010103	管夹 Clamp	1		NC9321-600003-000
13	206400050020	衬套 Bush	1		NC9321-600002-000

